



US00D962334S

(12) **United States Design Patent**  
**Deng et al.**

(10) **Patent No.:** **US D962,334 S**  
(45) **Date of Patent:** **\*\* Aug. 30, 2022**

(54) **ELECTRIC DRUM**

(71) Applicants: **Guangzhou Rantion Technology Co., Ltd.**, Guangzhou (CN); **Donner Technology LLC**, Charlotte, NC (US)

(72) Inventors: **Kevin Deng**, Guangzhou (CN); **Junjie Li**, Guangzhou (CN); **Zen Guo**, Guangzhou (CN); **Alec Lu**, Guangzhou (CN); **Shuyu Chen**, Guangzhou (CN)

(\*\*) Term: **15 Years**

(21) Appl. No.: **29/772,784**

(22) Filed: **Mar. 4, 2021**

(51) **LOC (13) Cl.** ..... **17-04**

(52) **U.S. Cl.**  
USPC ..... **D17/22**

(58) **Field of Classification Search**  
USPC ..... D17/22, 99; D21/405  
CPC ..... G10D 13/00; G10D 13/01; G10D 13/02;  
G10D 13/03; G10D 13/10; G10D 13/12;  
G10D 99/00  
See application file for complete search history.

(56) **References Cited**

**U.S. PATENT DOCUMENTS**

D328,915 S \* 8/1992 Sato ..... D17/22  
D387,374 S \* 12/1997 Kawada ..... D17/22  
D401,612 S \* 11/1998 Takei ..... D17/22

D412,540 S \* 8/1999 Chen ..... D21/405  
D464,988 S \* 10/2002 Edwards ..... D17/22  
D472,587 S \* 4/2003 Chan ..... D21/405  
D569,896 S \* 5/2008 Bergese ..... D17/22  
D614,686 S \* 4/2010 Bergese ..... D17/22

**FOREIGN PATENT DOCUMENTS**

JP 07028459 A \* 1/1995  
JP 07199943 A \* 8/1995  
JP 2002182643 A \* 6/2002  
JP 2008158085 A \* 7/2008

\* cited by examiner

*Primary Examiner* — R. Johnson

(74) *Attorney, Agent, or Firm* — Rमित Ranjit Kanakia

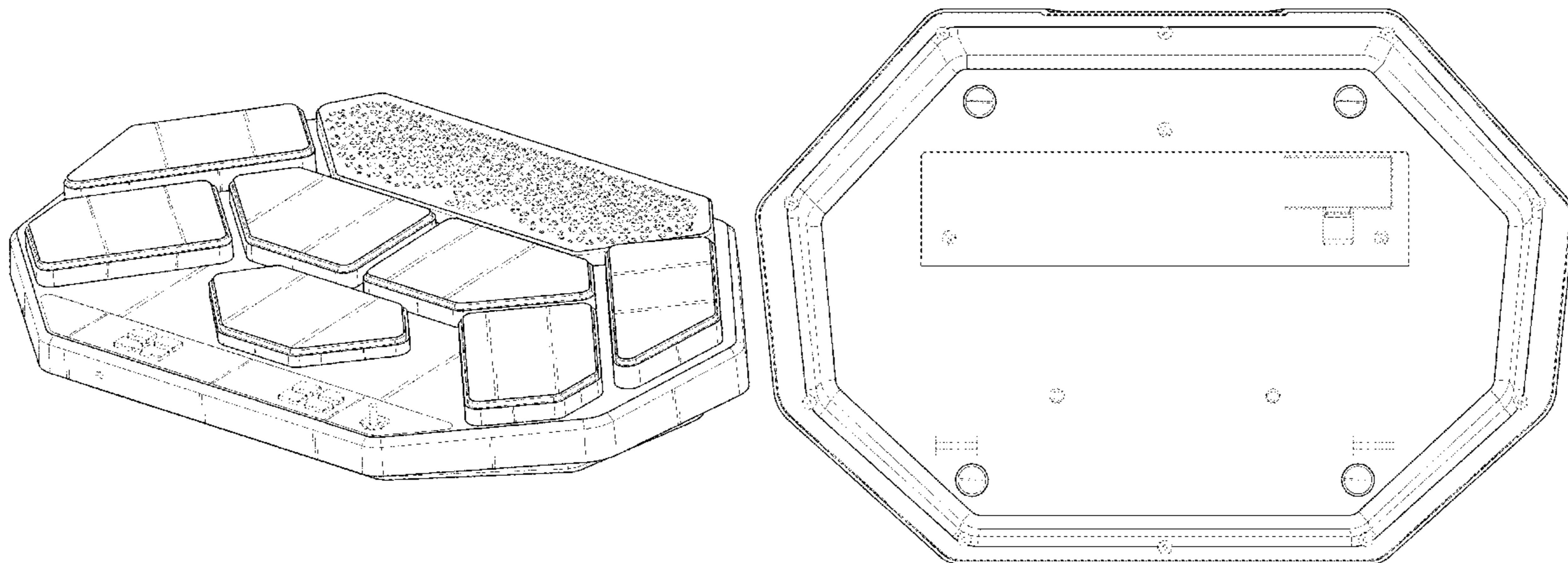
(57) **CLAIM**

The ornamental design for an electric drum, as shown and described.

**DESCRIPTION**

FIG. 1 is a front perspective view of an electric drum showing our new design;  
FIG. 2 is a front view thereof;  
FIG. 3 is a rear view thereof;  
FIG. 4 is a right side view thereof;  
FIG. 5 is a left side view thereof;  
FIG. 6 is a top view thereof; and,  
FIG. 7 is a bottom view thereof.  
The broken lines in the drawings depict portions of the electric drum that form no part of the claimed design.

**1 Claim, 6 Drawing Sheets**



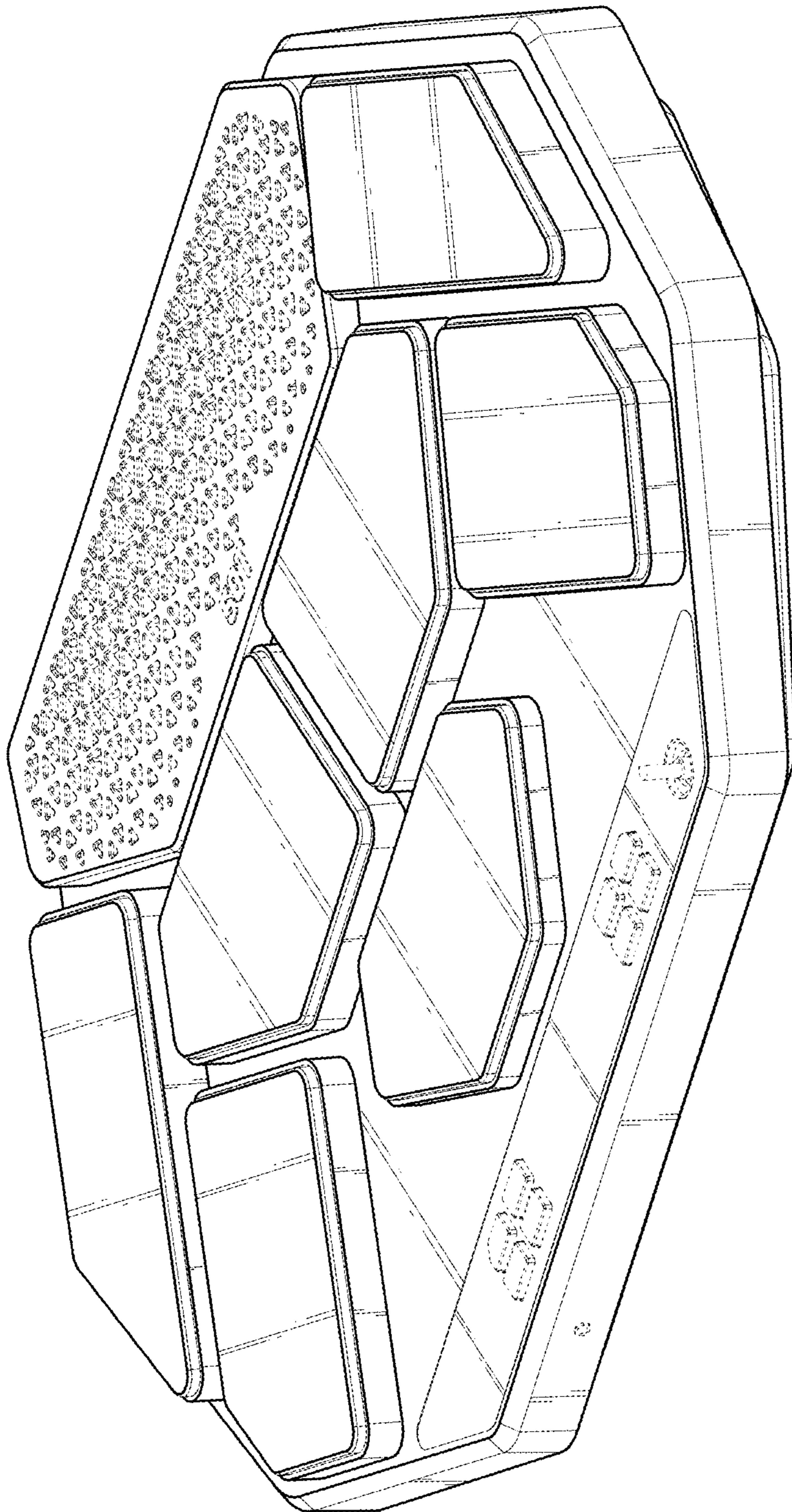


FIG. 1

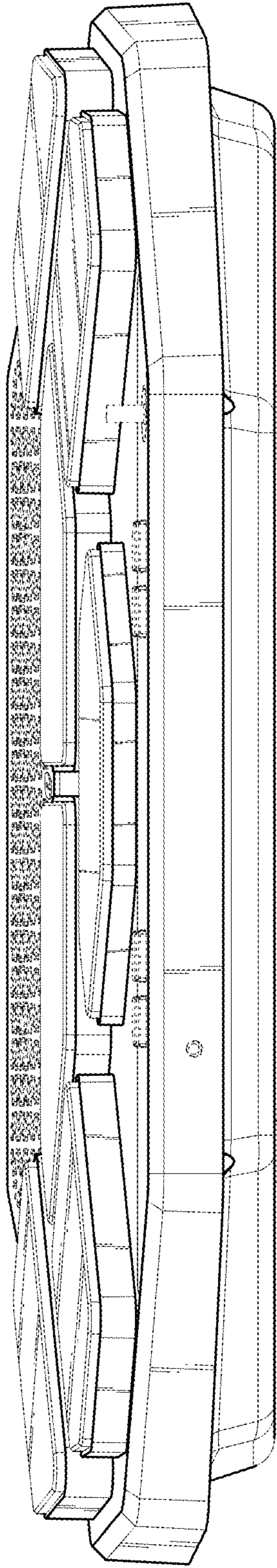


FIG. 2

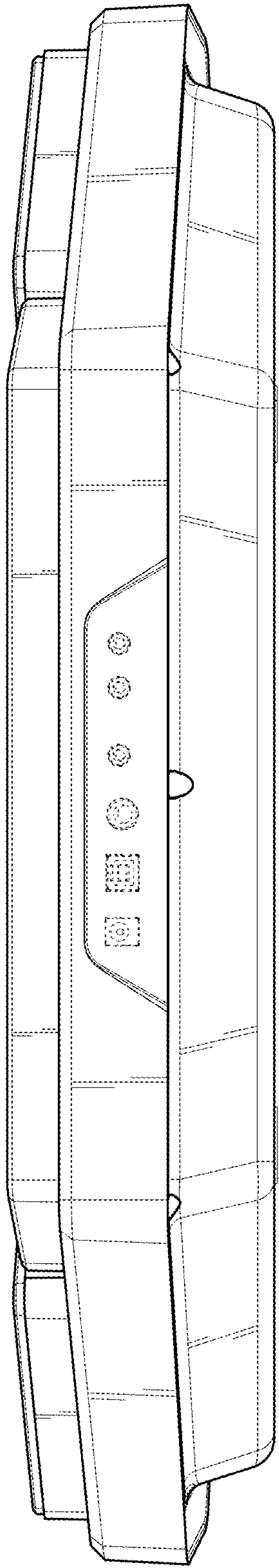


FIG. 3

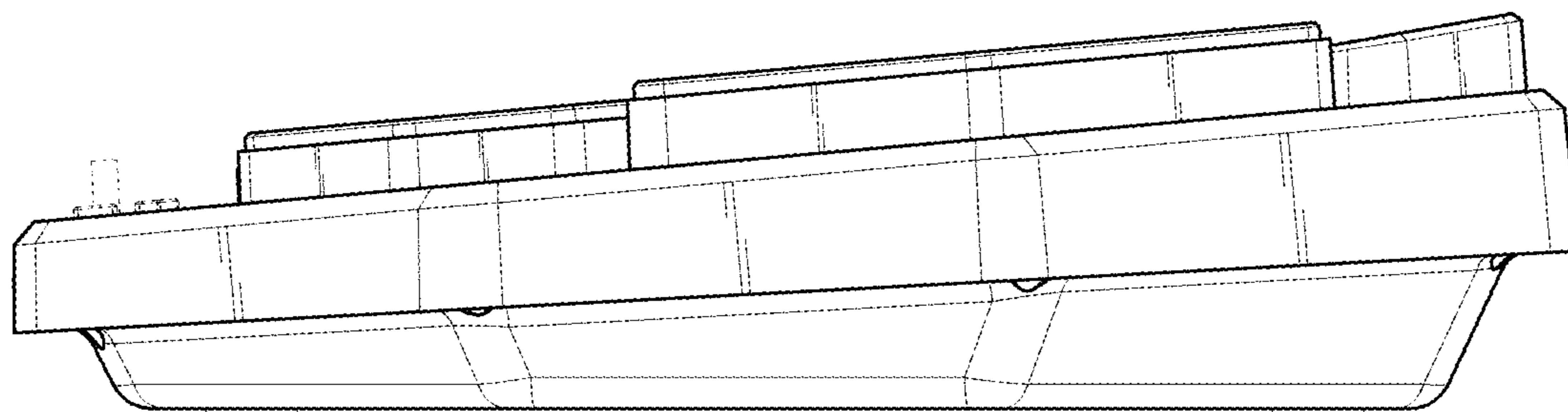


FIG. 4

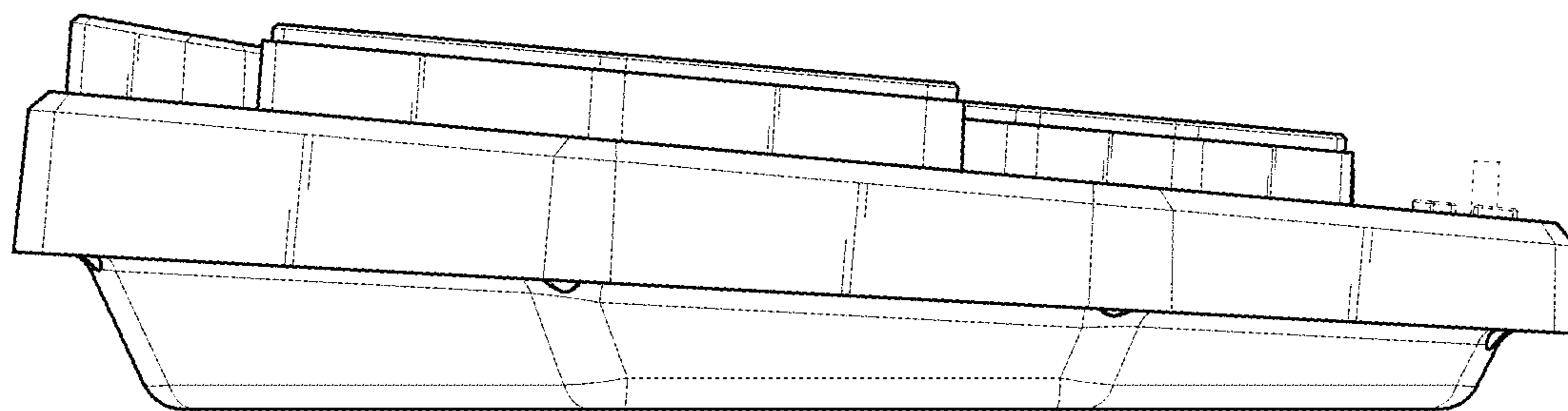


FIG. 5

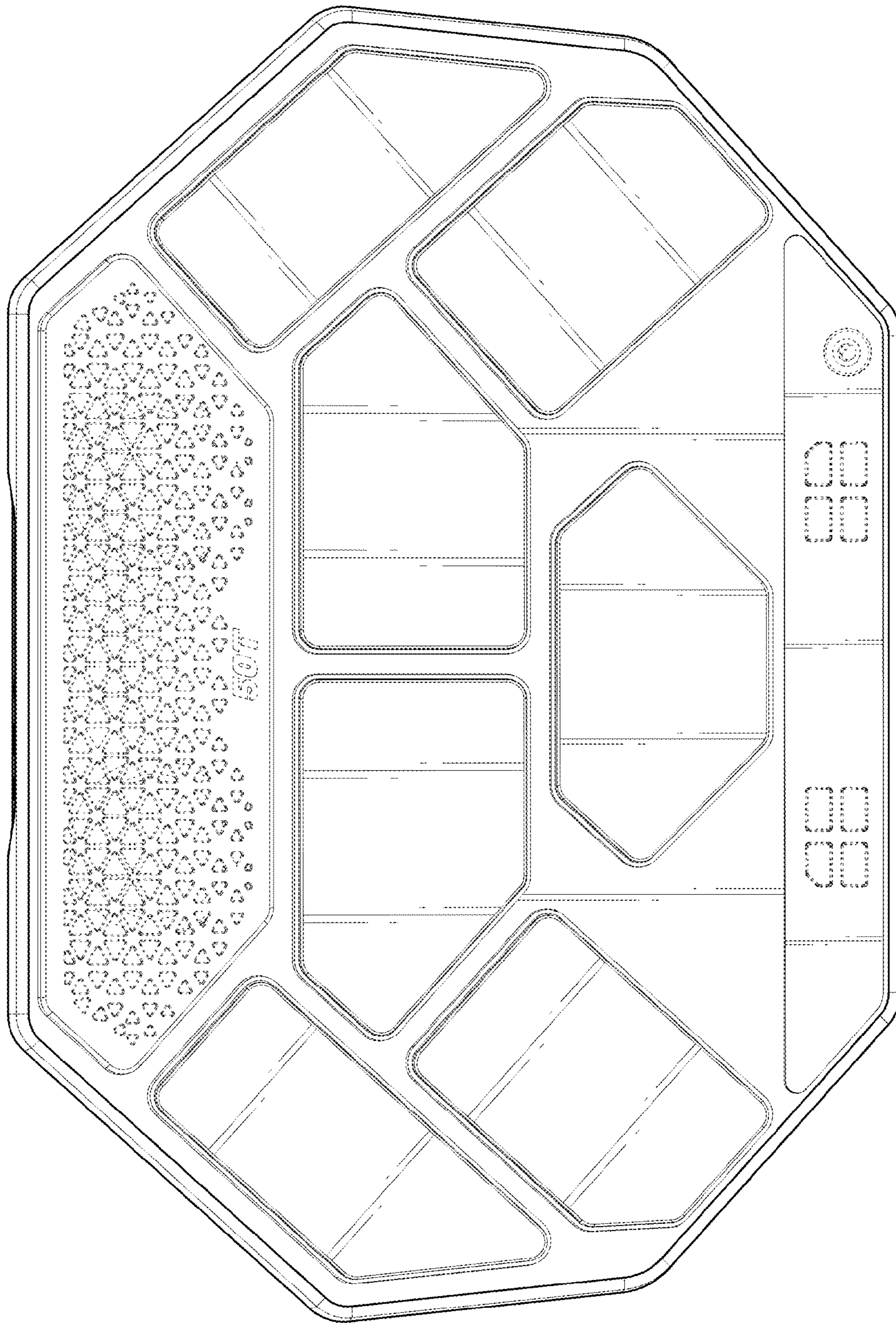


FIG. 6

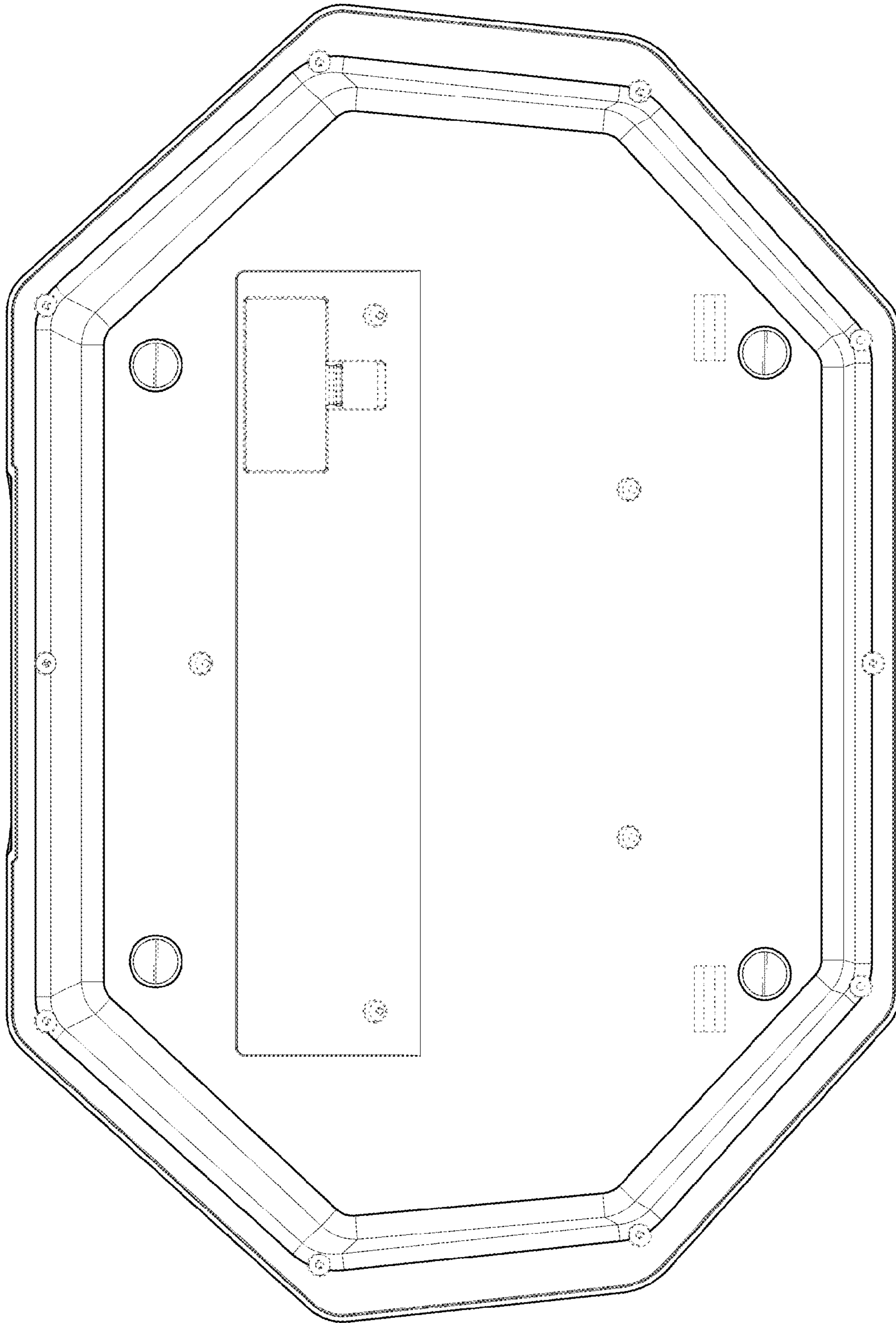


FIG. 7