



US00D962328S

(12) **United States Design Patent**  
**Zhong**

(10) **Patent No.:** **US D962,328 S**

(45) **Date of Patent:** **\*\* Aug. 30, 2022**

(54) **TRIPOD**

(71) Applicant: **Yuzhen Zhong**, Ganzhou (CN)

(72) Inventor: **Yuzhen Zhong**, Ganzhou (CN)

(\*\*) Term: **15 Years**

(21) Appl. No.: **29/758,222**

(22) Filed: **Nov. 13, 2020**

(51) **LOC (13) Cl.** ..... **16-05**

(52) **U.S. Cl.**  
USPC ..... **D16/244**

(58) **Field of Classification Search**  
USPC ..... D16/219, 237-250; D8/354, 355, 363,  
D8/373, 382-383, 394-396; D14/224,  
D14/229, 238, 251, 253, 447, 451, 457;  
D26/118  
CPC ..... F16M 11/06-10; F16M 11/14; G02B  
7/00-002; G03B 17/561-566; H04N  
5/2253-2254

See application file for complete search history.

(56) **References Cited**

**U.S. PATENT DOCUMENTS**

729,520	A *	5/1903	Robbins	.....	F16M 11/14 248/188
2,143,606	A *	1/1939	Mooney	.....	F16M 11/16 248/183.2
2,458,872	A *	1/1949	Pagliuso	.....	F16M 11/10 248/183.2
2,459,676	A *	1/1949	Axtell	.....	F16M 11/2014 D16/245

(Continued)

**FOREIGN PATENT DOCUMENTS**

CN	303816741	*	8/2016
CN	304432378	*	12/2017

(Continued)

**OTHER PUBLICATIONS**

Velbon EX-Macro Aluminum Tabletop Tripod, product available unknown[online], no video/pictured review available [online], [site visited Mar. 10, 2022]:URL:<https://www.bhphotovideo.com/c/product/1007229-REG/velbon\_ex\_macro\_ex\_macro\_aluminum\_tabletop\_tripod.html> (Year: 2022).\*

(Continued)

*Primary Examiner* — Sanjeev Paul

*Assistant Examiner* — Loryn Korrine LeBlanc

(57) **CLAIM**

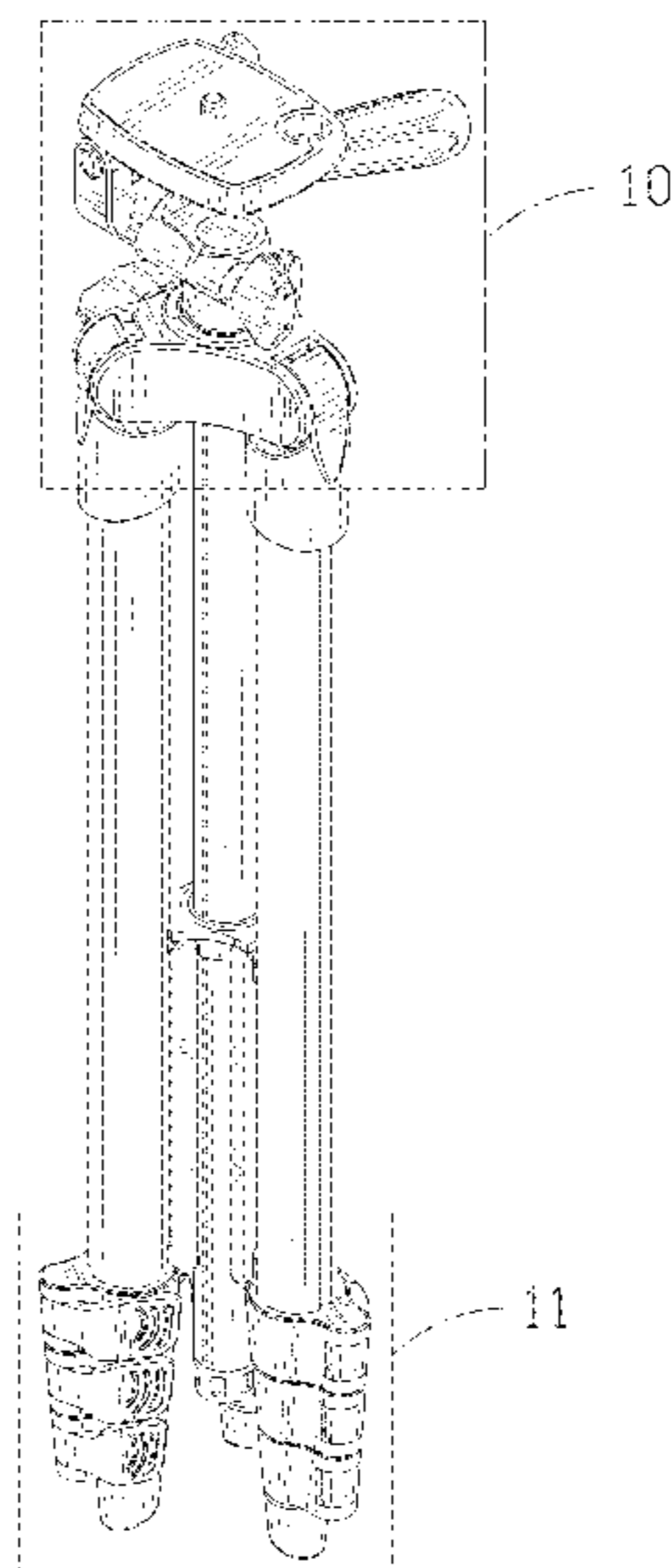
The ornamental design for a tripod, as shown and described.

**DESCRIPTION**

FIG. 1 is a front and top perspective view of a tripod, showing my new design;  
 FIG. 2 is a rear and bottom perspective view thereof;  
 FIG. 3 is a front elevational view thereof;  
 FIG. 4 is a rear elevational view thereof;  
 FIG. 5 is a left side elevational view thereof;  
 FIG. 6 is a right side elevational view thereof;  
 FIG. 7 is a top plan view thereof;  
 FIG. 8 is a bottom plan view thereof;  
 FIG. 9 is a perspective view of the tripod, showing the tripod in an extended position;  
 FIG. 10 is an enlarged view of a portion indicated with numeric 10 in FIG. 1;  
 FIG. 11 is an enlarged view of a portion indicated with numeric 11 in FIG. 1;  
 FIG. 12 is an enlarged view of a portion indicated with numeric 12 in FIGS. 2; and,  
 FIG. 13 is an enlarged view of a portion indicated with numeric 13 in FIG. 2.

The dashed broken lines in the figures illustrate portions of the tripod that form no part of the claimed design. The dash dot dash lines in FIGS. 1, 2, 10, 11, 12 and 13 are for the purpose of disclosing enlarged detailed views.

**1 Claim, 13 Drawing Sheets**



(56)

References Cited

U.S. PATENT DOCUMENTS

2,499,066 A \* 2/1950 Jacobson ..... F16M 11/32  
248/183.1  
D160,136 S \* 9/1950 Welt ..... D16/245  
2,534,659 A \* 12/1950 Cardona ..... F16M 13/00  
248/188.5  
2,586,721 A \* 2/1952 Rubin ..... F16M 11/2014  
248/183.1  
D176,471 S \* 12/1955 Skokie, III ..... D16/244  
2,830,514 A \* 4/1958 Brooks ..... F16M 11/10  
396/428  
2,882,001 A \* 4/1959 Ries ..... F16M 11/2014  
248/183.2  
3,356,325 A \* 12/1967 Schnase ..... F16M 11/2021  
396/419  
3,423,056 A \* 1/1969 Welt ..... F16M 11/2014  
248/185.1  
D263,147 S \* 2/1982 Iwasaki ..... D16/244  
D344,969 S \* 3/1994 Nakatani ..... D16/244  
D829,266 S \* 9/2018 Zeng ..... D16/244  
D829,267 S \* 9/2018 Zeng ..... D16/244  
D857,084 S \* 8/2019 Chen ..... D16/244  
D864,282 S \* 10/2019 Liu ..... D16/244  
D881,899 S \* 4/2020 Li ..... D14/447  
D899,491 S \* 10/2020 Chen ..... D16/244  
D899,492 S \* 10/2020 Hao ..... D16/244  
D901,749 S \* 11/2020 Chen ..... D16/237  
D902,986 S \* 11/2020 Zeng ..... D16/244  
D903,746 S \* 12/2020 Jankura ..... F16M 11/04  
D16/244  
D927,583 S \* 8/2021 Feng ..... D16/237  
D929,023 S \* 8/2021 Xiao ..... D16/244  
D929,024 S \* 8/2021 Xiao ..... D16/244  
D937,251 S \* 11/2021 Peng ..... D16/237  
D942,529 S \* 2/2022 Lin ..... D16/244  
D943,020 S \* 2/2022 Lin ..... D16/244  
2014/0055618 A1 \* 2/2014 Myers ..... F16M 11/2021  
348/158  
2015/0240986 A1 \* 8/2015 Mendo ..... F16M 11/105  
248/124.1  
2019/0003635 A1 \* 1/2019 Li ..... F16M 11/242  
2021/0123561 A1 \* 4/2021 Smith ..... F16M 11/28

FOREIGN PATENT DOCUMENTS

CN 304849033 \* 10/2018  
CN 304913354 \* 11/2018  
CN 304927200 \* 12/2018  
CN 305093215 \* 4/2019  
CN 305223043 \* 6/2019  
CN 305408796 \* 10/2019  
CN 305716523 \* 4/2020  
CN 306168865 \* 11/2020  
CN 306795807 \* 8/2021  
CN 306992989 \* 12/2021

OTHER PUBLICATIONS

Sunpak 620-213BB MiniPro Tabletop Tripod, product available unknown[online], no video/pictured review available [online], [site visited Mar. 10, 2022]:URL:<[https://www.bhphotovideo.com/c/product/1616853-REG/sunpak\\_620\\_213bb\\_minipro\\_tabletop\\_tripod.html](https://www.bhphotovideo.com/c/product/1616853-REG/sunpak_620_213bb_minipro_tabletop_tripod.html)> (Year: 2022).\*

Vanguard VS-82 Table Top Tripod, product available Mar. 7, 2006 [online], pictured review Nov. 28, 2017 [online], [site visited Mar. 10, 2022]: URL:<[https://www.amazon.com/gp/product/B0002J2TLC/ref=ox\\_sc\\_act\\_image\\_1?smid=ATVPDKIKX0DER&psc=1](https://www.amazon.com/gp/product/B0002J2TLC/ref=ox_sc_act_image_1?smid=ATVPDKIKX0DER&psc=1)> (Year: 2006).\*

Sunpak Ultra 7000TM Tri-Monopod, product available Feb. 5, 2013 [online], video and pictured review Feb. 13, 2018 [online], [site visited Mar. 10, 2022]:URL:<<https://www.amazon.com/Sunpak-Ultra-7000TM-Tri-Monopod-Black/dp/B0116LC08Q>> (Year: 2013).\*

Ultimaxx UM-TR75 57" Aluminum Tripod, product available unknown[online], no video/pictured review available [online], [site visited Mar. 10, 2022]:URL:<[https://www.bhphotovideo.com/c/product/1599910-REG/ultimaxx\\_um\\_tr57\\_57\\_tripod\\_with\\_rubber.html](https://www.bhphotovideo.com/c/product/1599910-REG/ultimaxx_um_tr57_57_tripod_with_rubber.html)> (Year: 2022).\*

Slik U8800L Aluminum Tripod, product available unknown[online], no video/pictured review available [online], [site visited Mar. 10, 2022]:URL:<[https://www.bhphotovideo.com/c/product/1418425-REG/slik\\_u8800l\\_light\\_weight\\_tripod\\_aluminum.html](https://www.bhphotovideo.com/c/product/1418425-REG/slik_u8800l_light_weight_tripod_aluminum.html)> (Year: 2022).\*

Slik Pro 700 BHX AMT Tripod, product available Sep. 19, 2014 [online], video review Jun. 2, 2020 [online], [site visited Mar. 10, 2022]:URL:<<https://www.amazon.com/SLIK-Tripod-SBH-808DQ-Ball-Head/dp/B00NQG680E>> (Year: 2014).\*

\* cited by examiner

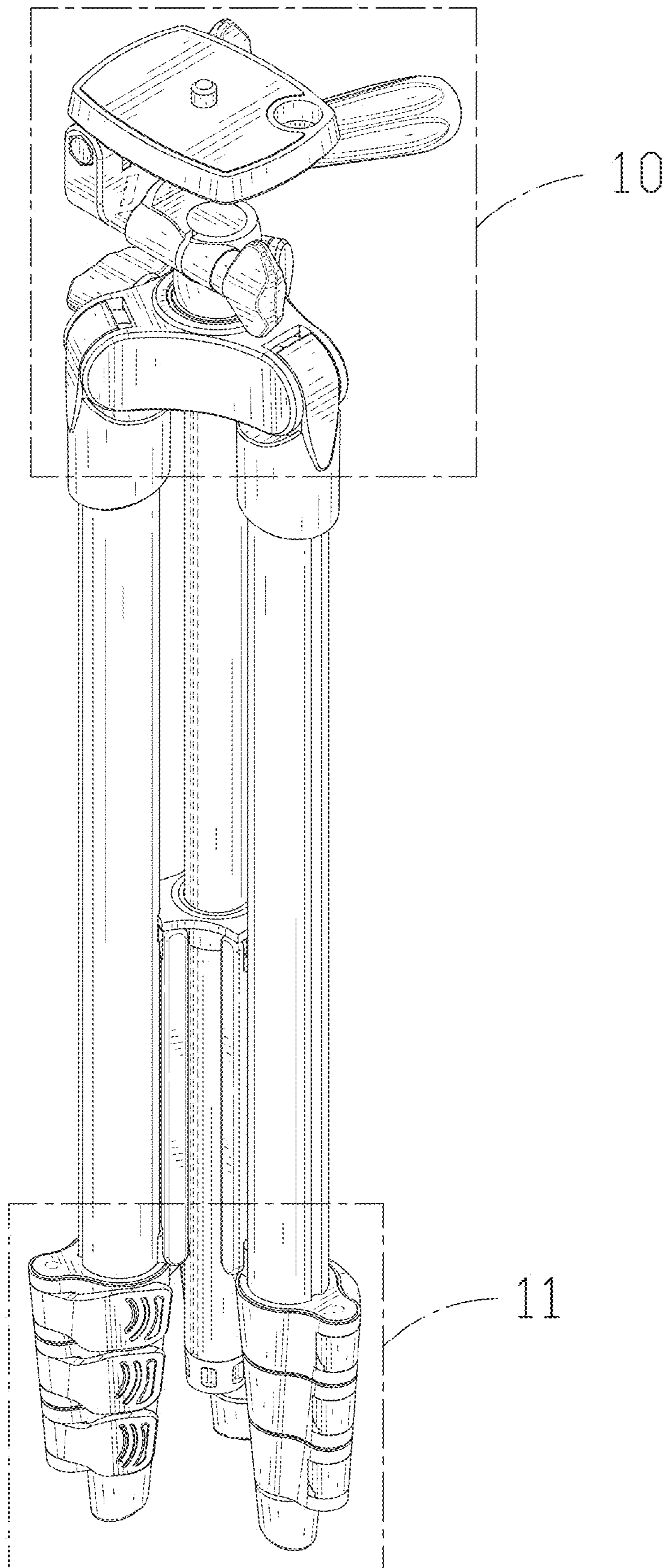


FIG. 1

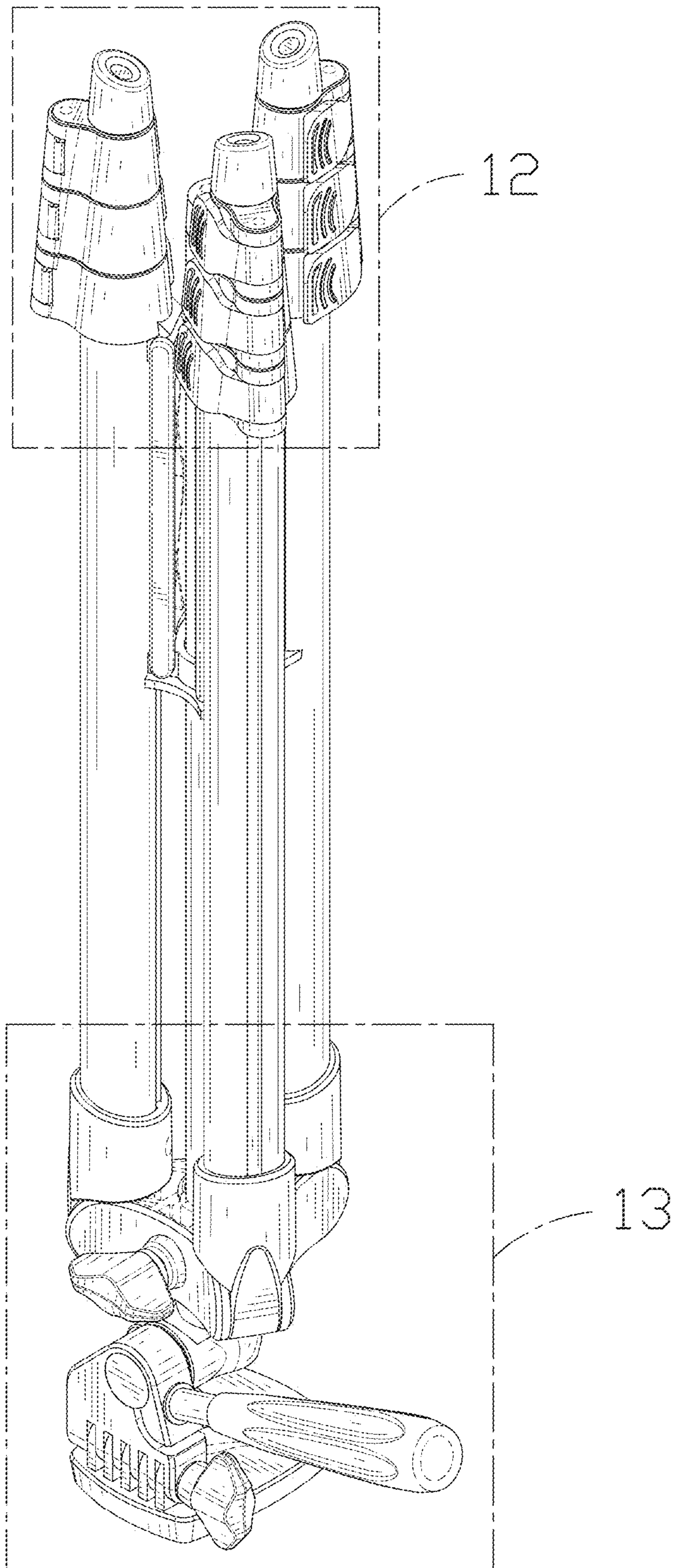


FIG. 2

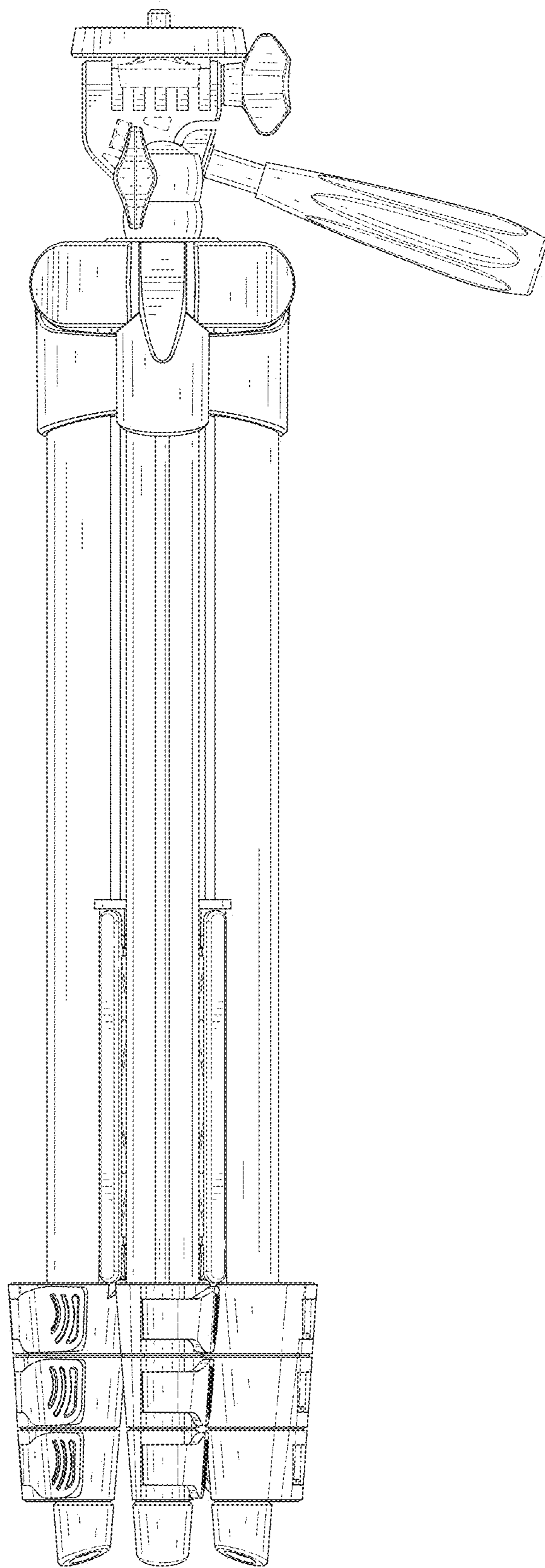


FIG. 3

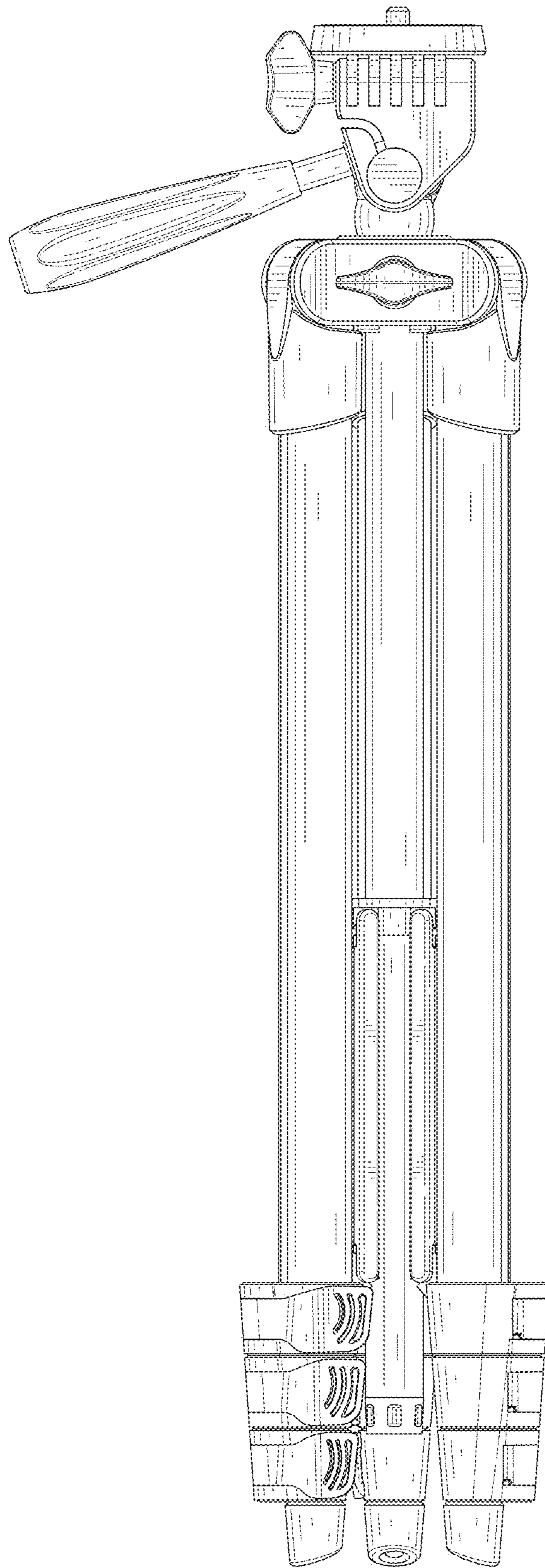


FIG. 4

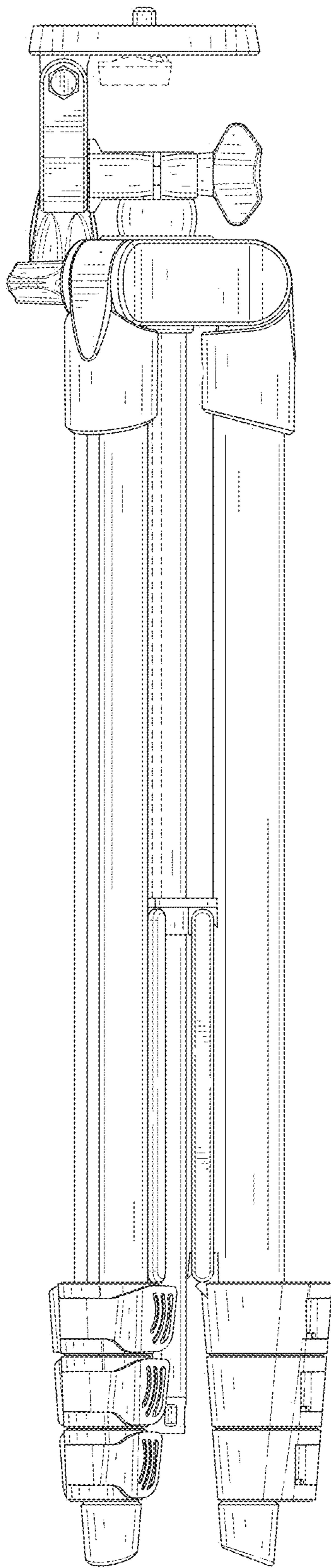


FIG. 5

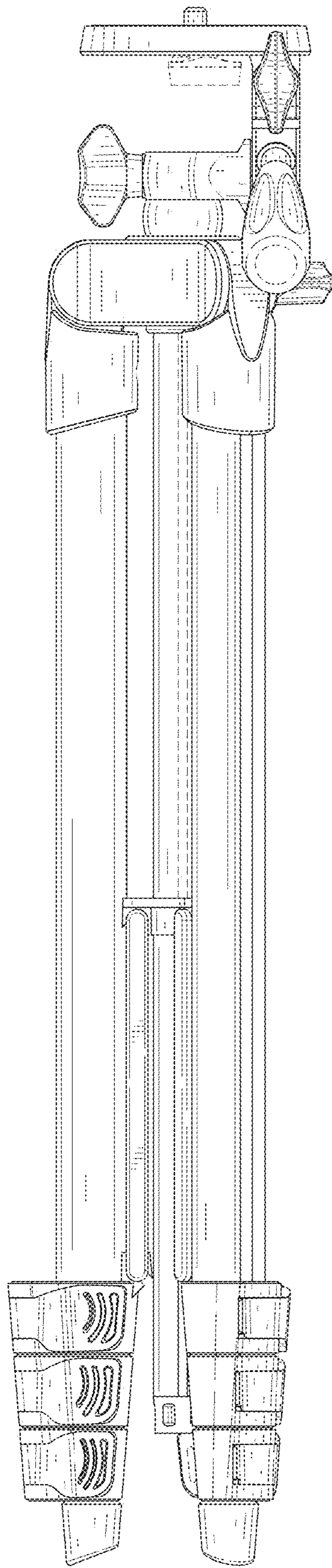


FIG. 6



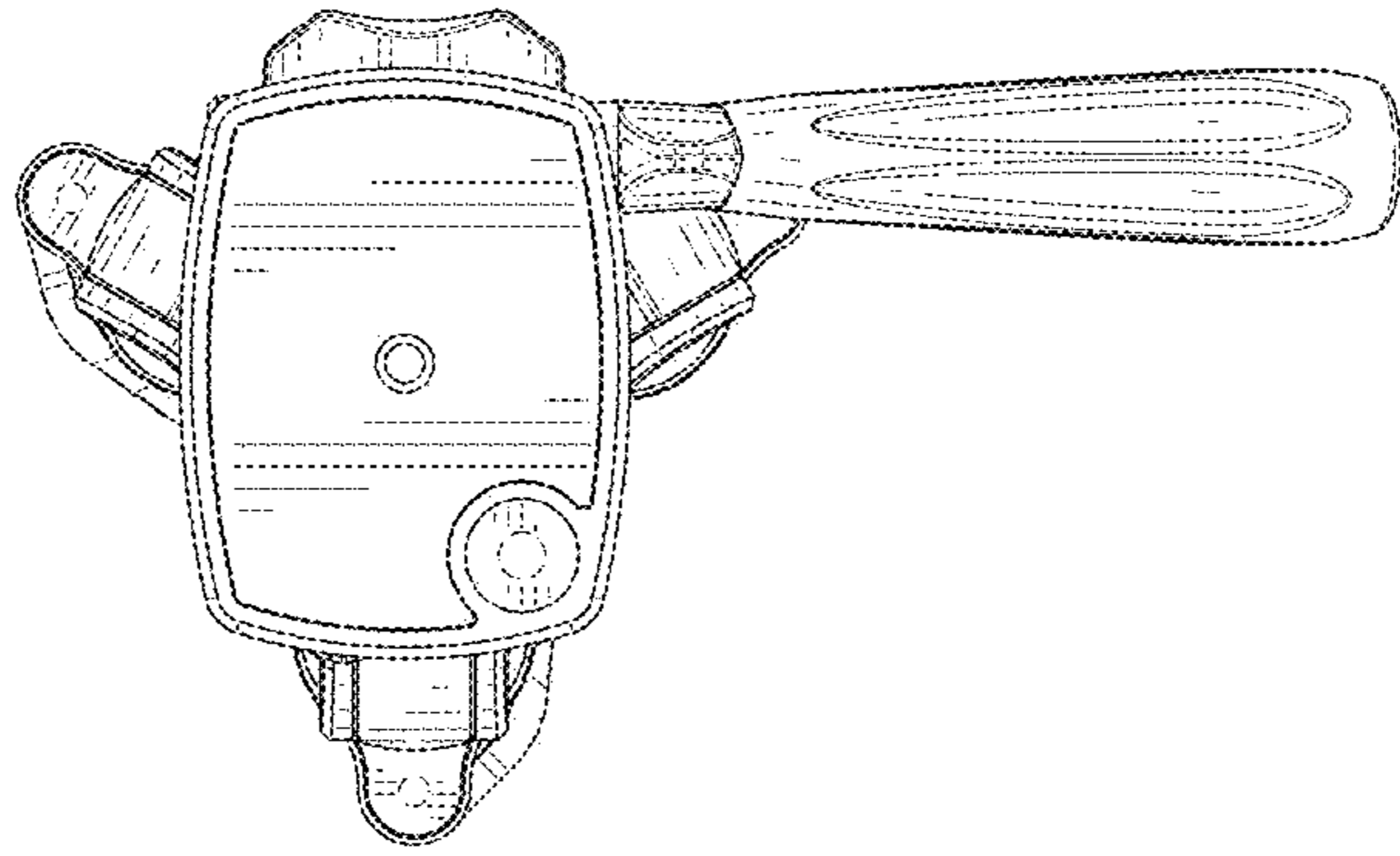


FIG. 7

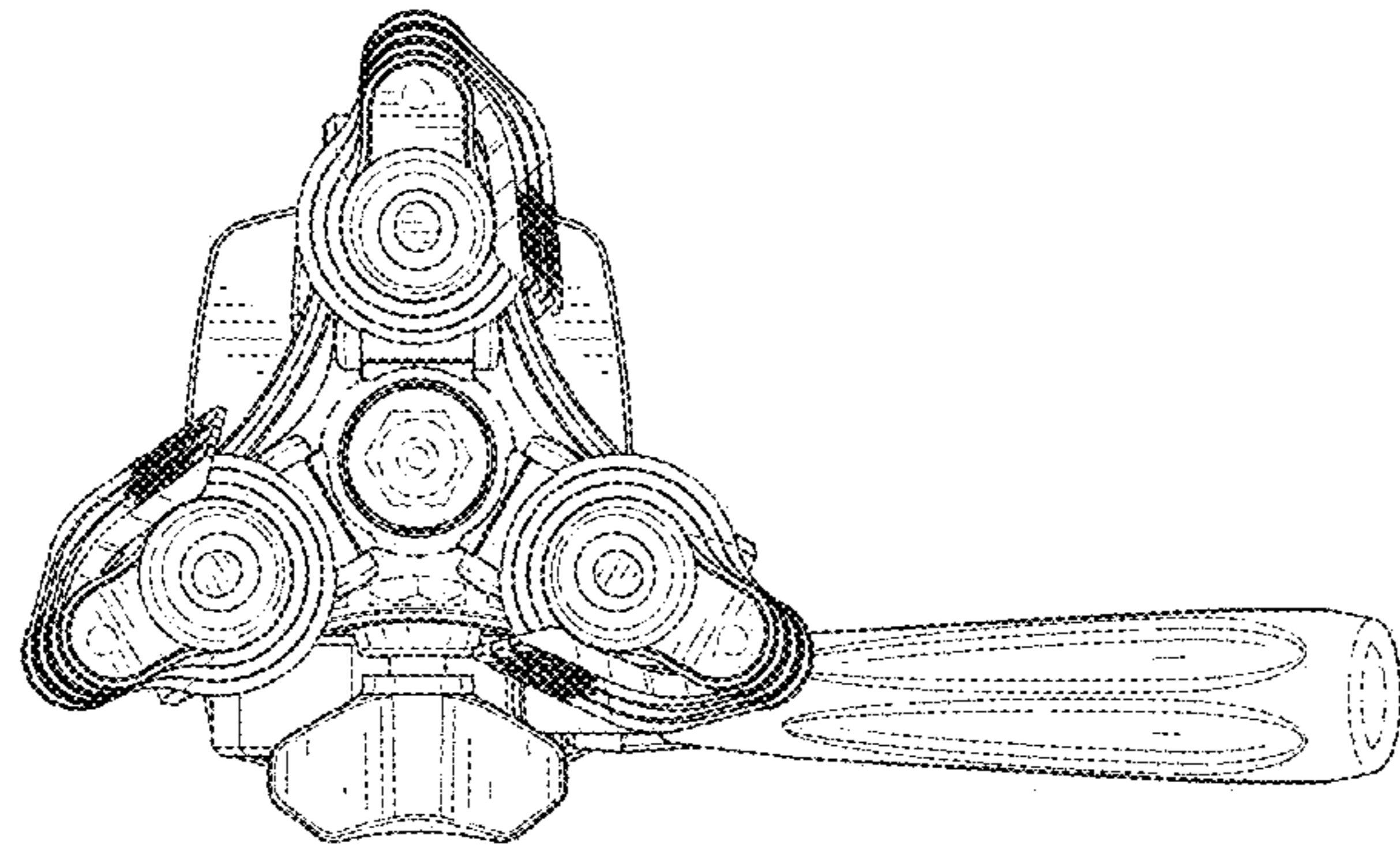


FIG. 8

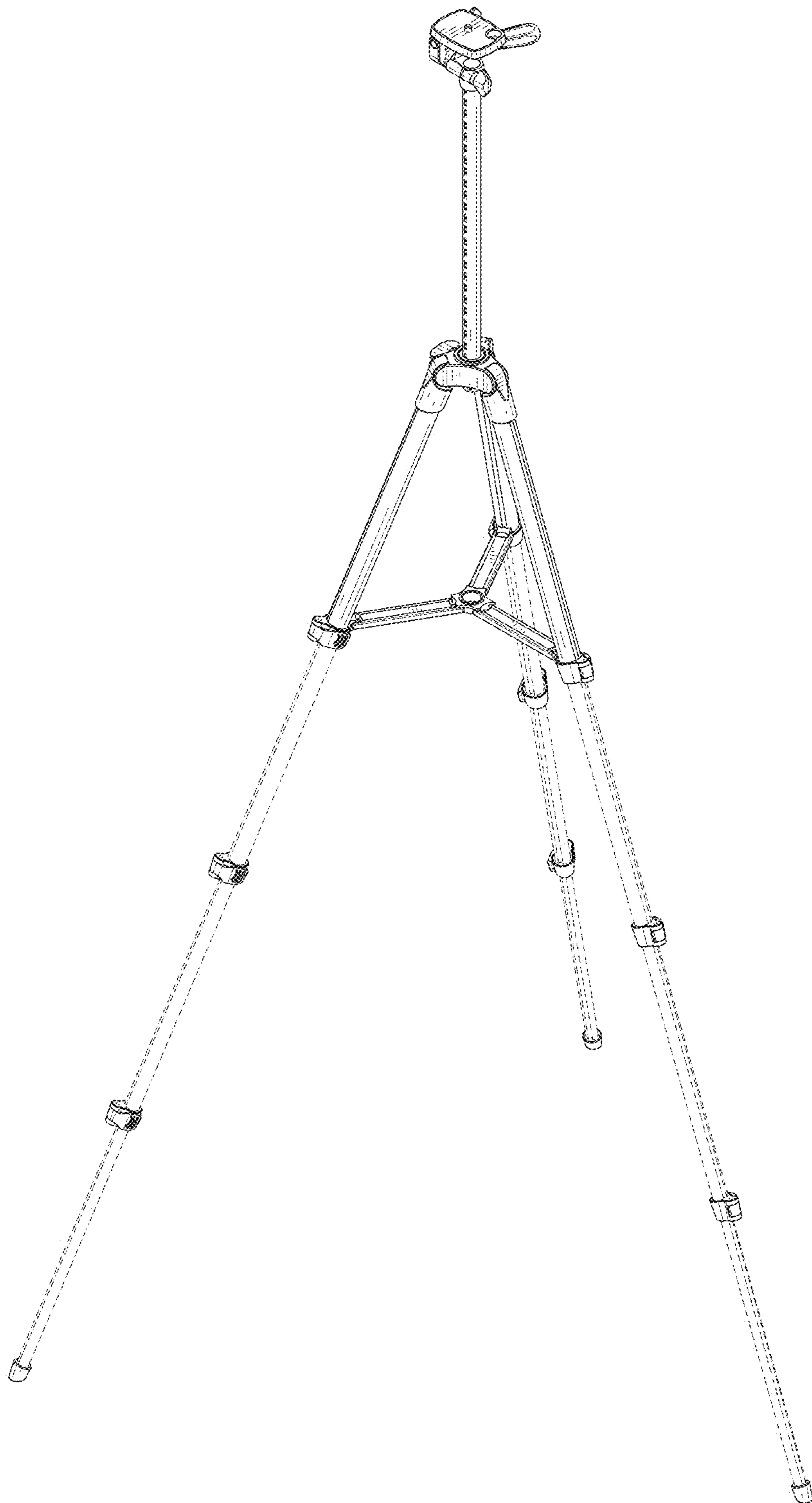


FIG. 9

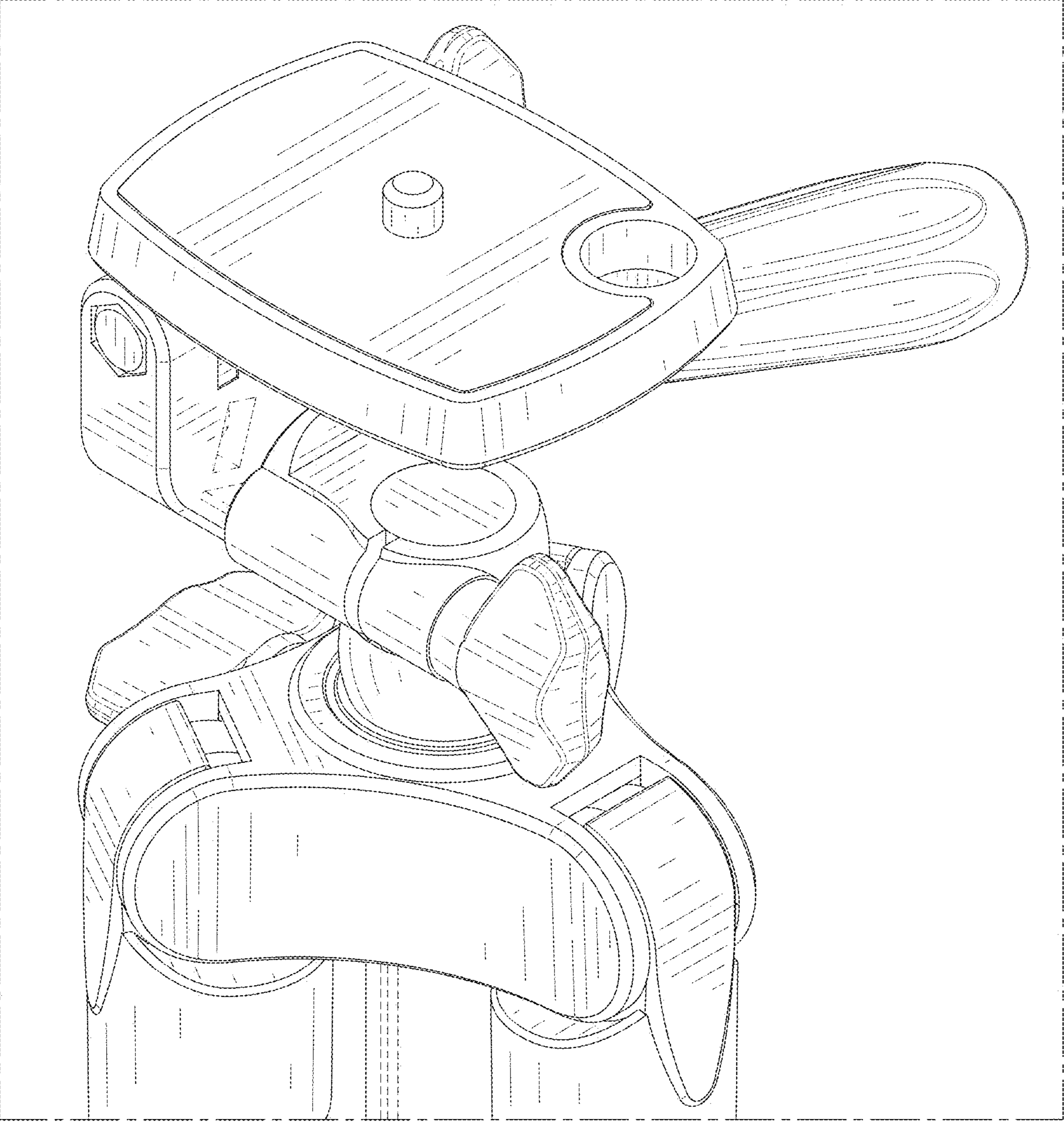


FIG. 10

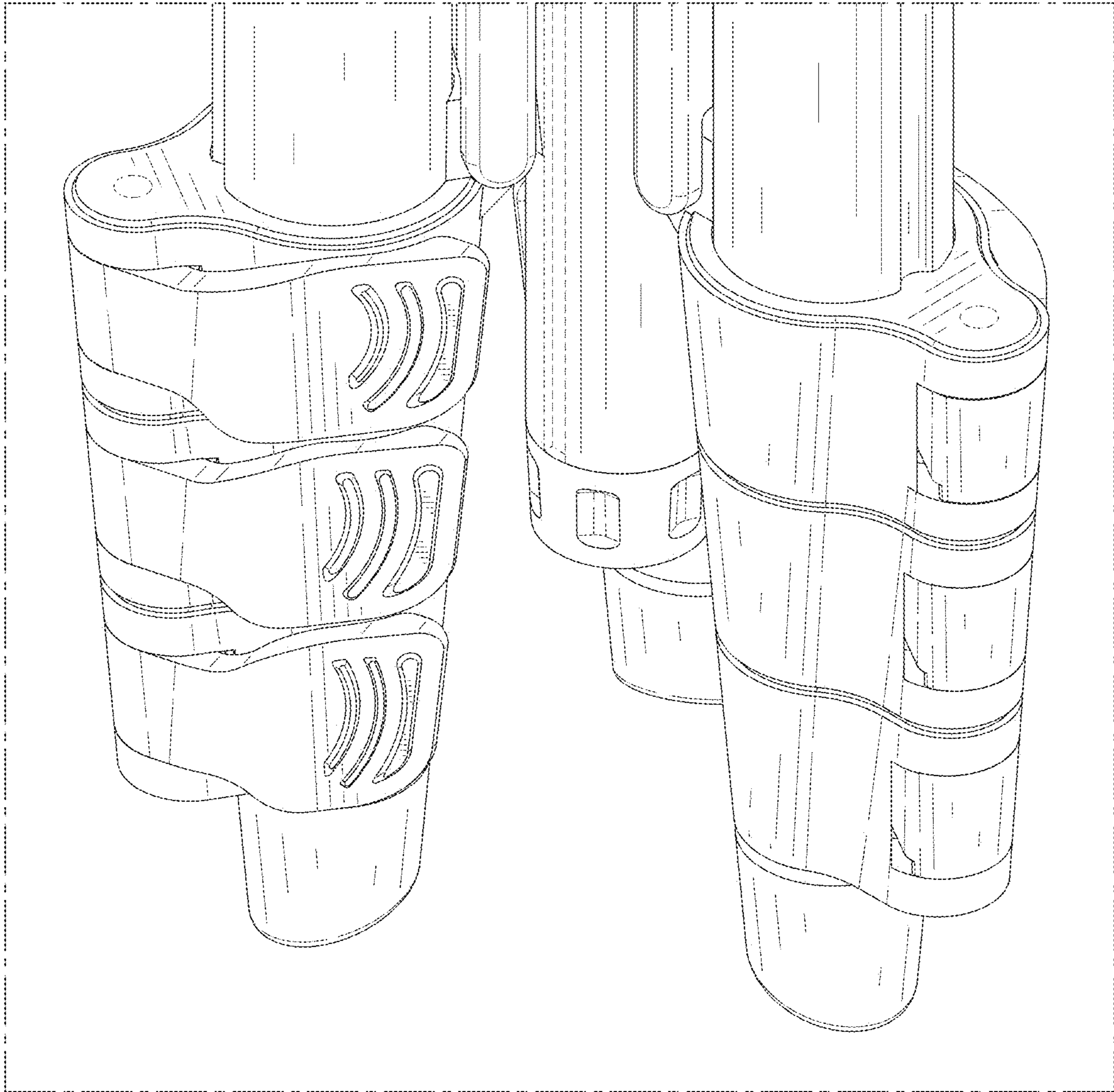


FIG. 11

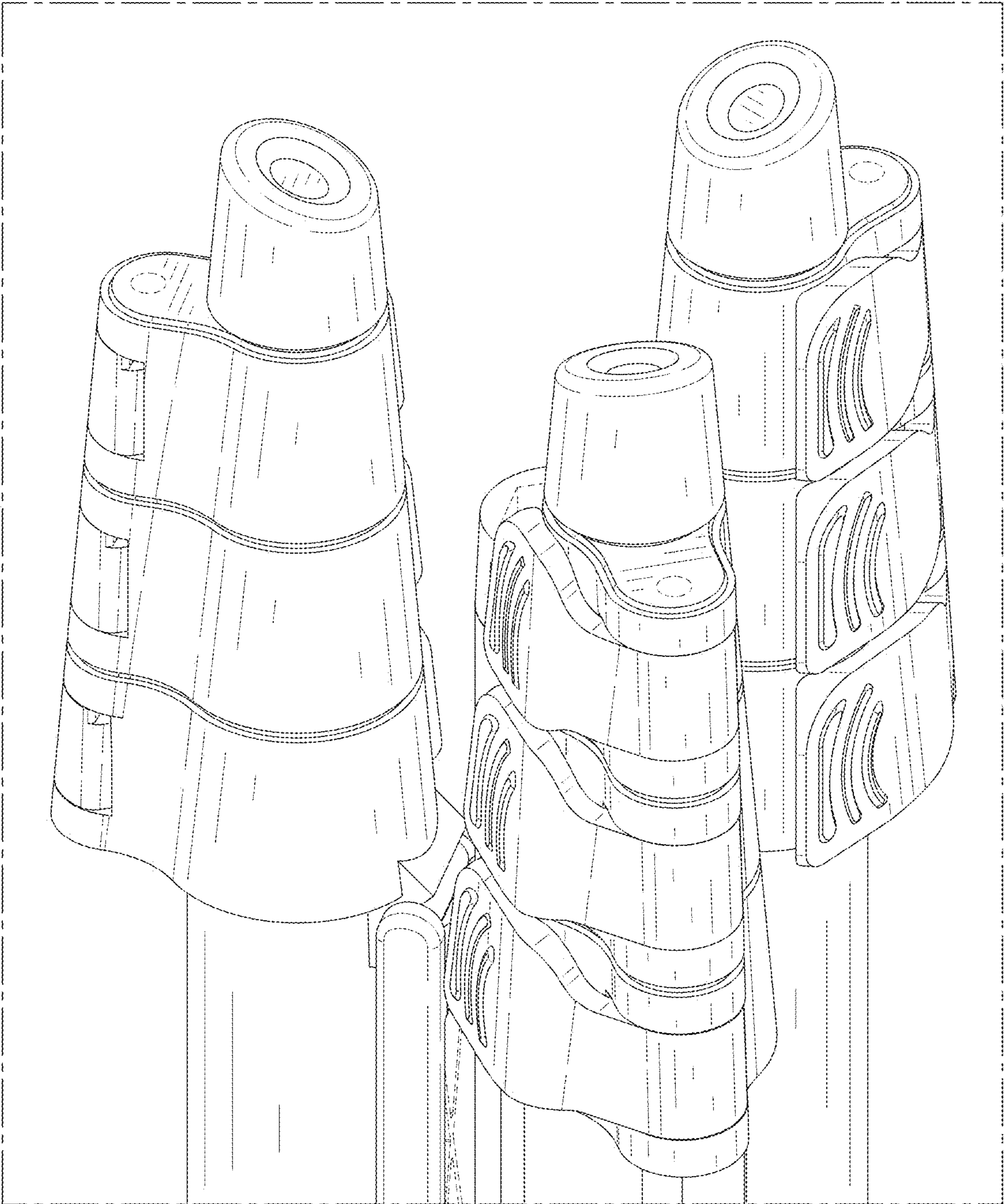


FIG. 12

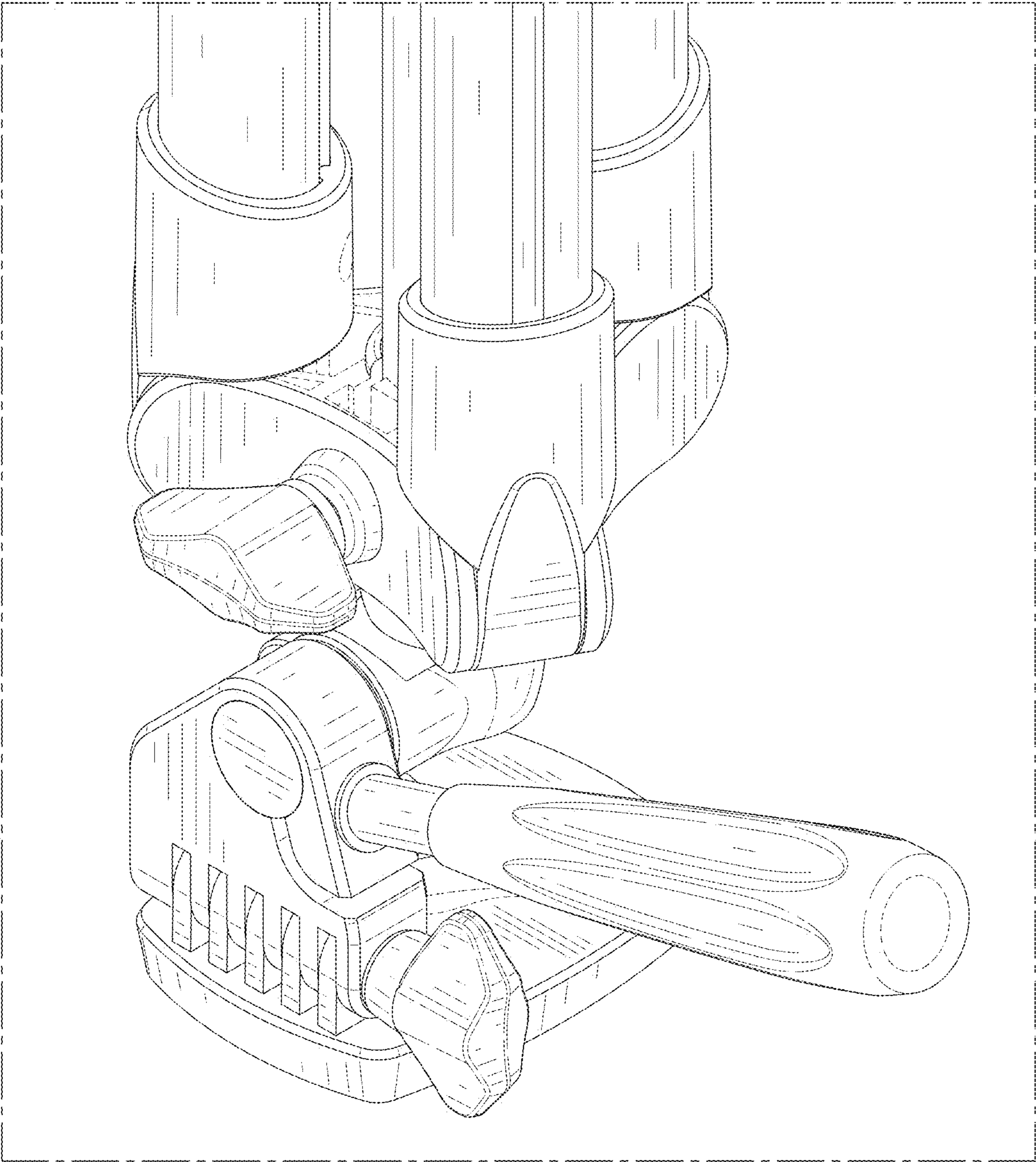


FIG. 13