

US00D962327S

(12) **United States Design Patent**
Zhong

(10) **Patent No.:** **US D962,327 S**

(45) **Date of Patent:** **** Aug. 30, 2022**

(54) **CAMERA HOLDER**

(71) Applicant: **Yuzhen Zhong**, Ganzhou (CN)

(72) Inventor: **Yuzhen Zhong**, Ganzhou (CN)

(**) Term: **15 Years**

(21) Appl. No.: **29/739,110**

(22) Filed: **Jun. 23, 2020**

(51) **LOC (13) Cl.** **16-05**

(52) **U.S. Cl.**
USPC **D16/242**

(58) **Field of Classification Search**

USPC D8/300, 303, 306, 307, 321, 323, 324,
D8/325, 349, 363, 373, 394; D14/313,
D14/316, 317, 324, 341, 372, 375, 376,
D14/377, 432, 203.3, 203.5, 482, 224,
D14/217, 229, 250, 251, 345, 253;
D16/206, 211, 214, 234, 235, 236, 239,
D16/242, 243, 244, 245, 250, 237, 136,
D16/240, 203.8, 194, 195, 208, 219;
D21/329, 330, 331, 333, 385, 514
CPC F16M 11/00; F16M 11/06; F16M 11/08;
F16M 11/10; F16M 11/14; F16M 11/18;
F16M 11/20; F16M 11/041; F16M
11/105; F16M 11/2007; F16M 11/2014;
F16M 11/2021; F16M 11/2028; F16M
11/2035; F16M 13/00; F16M 13/005;
F16M 13/02; F16M 13/04; F16M 13/06;
F16M 2200/00; F16M 2200/04; F16M
2200/08; F16M 2200/041; F16M
2200/042; F16M 2200/044; F16M
2200/045; F16M 2200/047; F16M
2200/048; G01C 21/18; G03B 17/561;
G03B 17/563

See application file for complete search history.

(56) **References Cited**

U.S. PATENT DOCUMENTS

1,425,807 A * 8/1922 Thalhammer F16M 11/2014
248/183.3
1,898,469 A * 2/1933 Tonsor F16M 11/10
248/183.3
2,261,426 A * 11/1941 Willcox F16M 11/10
248/183.2

(Continued)

FOREIGN PATENT DOCUMENTS

CN 3319099 * 9/2003
CN 302773002 * 3/2014

(Continued)

OTHER PUBLICATIONS

Super Smooth Video Panning for Cheap | Yunteng Pro YT-950 Fluid
Tripod Head Review, video review Nov. 25, 2015 [online]; [site
visited Jan. 26, 2022]:<https://www.youtube.com/watch?v=
DKof1_QJK78> (Year: 2015).*

(Continued)

Primary Examiner — Sanjeev Paul
Assistant Examiner — Loryn Korrine Leblanc

(57) **CLAIM**

The ornamental design for a camera holder, as shown and
described.

DESCRIPTION

FIG. 1 is a front and top perspective view of a camera holder,
showing my new design;
FIG. 2 is a rear and bottom perspective view thereof;
FIG. 3 is a rear elevational view thereof;
FIG. 4 is a front elevational view thereof;
FIG. 5 is a left side elevational view thereof;

(Continued)

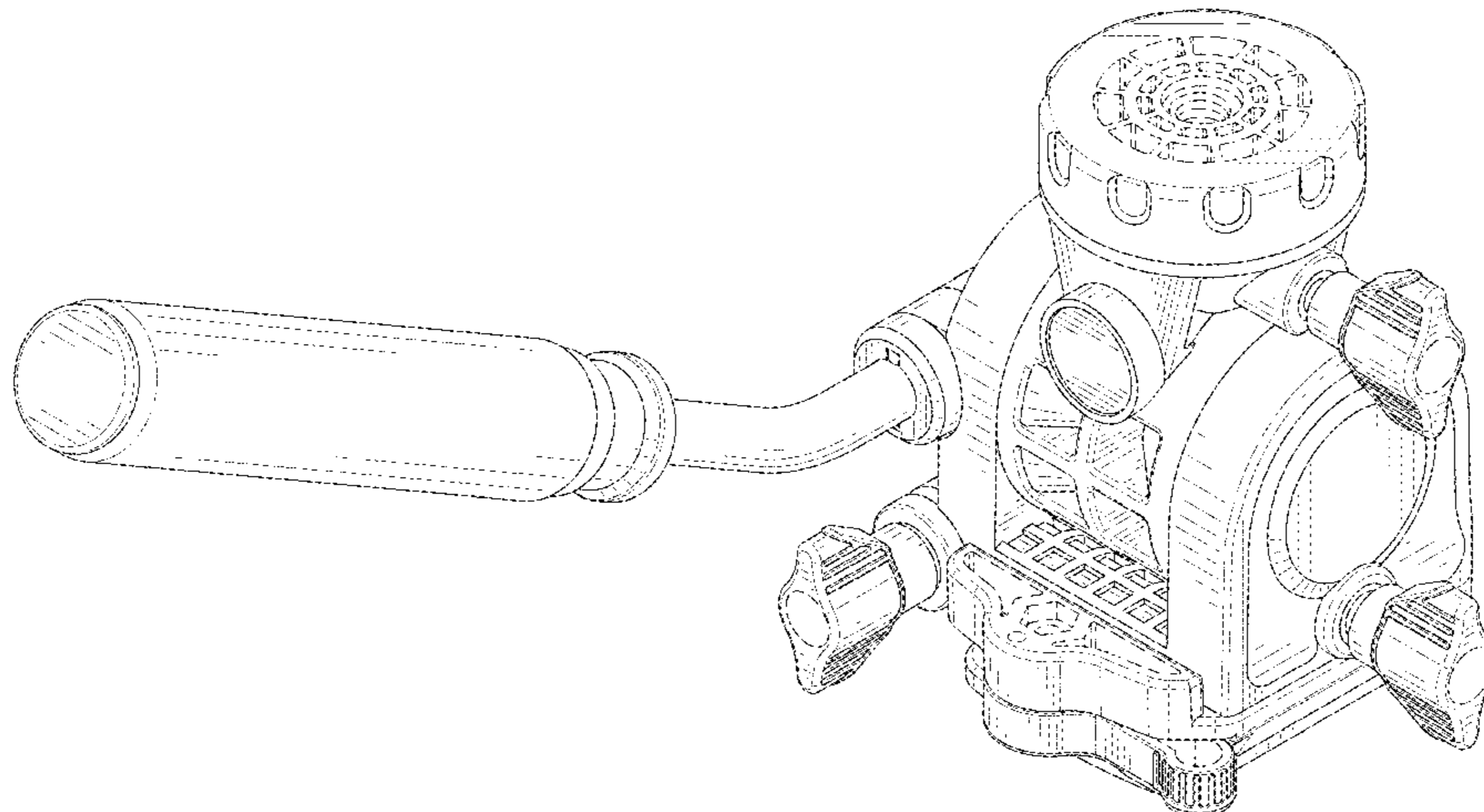


FIG. 6 is a right side elevational view thereof;
 FIG. 7 is a top plan view thereof; and,
 FIG. 8 is a bottom plan view thereof.
 The broken lines in the figures illustrate portions of the camera holder that form no part of the claimed design.

CN	306066100	*	9/2020
CN	306072278	*	9/2020
CN	306522510	*	5/2021
CN	307035668	*	12/2021
EM	008014161-0004	*	6/2020
GB	4010730	*	4/2009

1 Claim, 8 Drawing Sheets

OTHER PUBLICATIONS

(56)

References Cited

U.S. PATENT DOCUMENTS

2,429,803	A *	10/1947	Cardona	F16M 11/10	248/183.1
2,459,040	A *	1/1949	Miller	F16M 11/10	248/183.1
2,461,175	A *	2/1949	Peterson	F16M 11/10	248/183.2
2,717,138	A *	9/1955	Sheehan	F16M 11/2014	248/183.2
2,882,001	A *	4/1959	Ries	F16M 11/2014	248/183.2
3,163,387	A *	12/1964	Thomas	F16M 11/10	248/183.2
3,356,325	A *	12/1967	Schnase	F16M 13/00	248/187.1
3,833,196	A *	9/1974	Protzman	F16M 13/022	248/208
4,457,610	A *	7/1984	Kawazoe	F16M 11/10	248/179.1
D303,269	S *	9/1989	Yamaguchi	D16/245	
4,955,568	A *	9/1990	O'Connor	F16M 11/10	248/183.3
D357,031	S *	4/1995	Hanke	D16/245	
5,462,214	A *	10/1995	Buswell	A45C 11/38	224/679
D537,859	S *	3/2007	Speggiorin	F16M 11/14	D16/245
D629,828	S *	12/2010	Guidolin	D16/245	
8,596,892	B2 *	12/2013	Murrow	F16M 11/16	396/428
9,213,222	B2 *	12/2015	Johnson	G03B 17/563	
D857,084	S *	8/2019	Chen	D16/244	
D864,280	S *	10/2019	Speggiorin	D16/242	
D903,742	S *	12/2020	Sakai	D16/219	
D916,175	S *	4/2021	Gong	D16/244	
2003/0012571	A1 *	1/2003	Nakatani	F16M 13/00	396/428
2009/0072100	A1 *	3/2009	Zierer	F16M 11/34	248/169

FOREIGN PATENT DOCUMENTS

CN	304322276	*	10/2017
CN	305357269	*	9/2019

Manfrotto Video Head with Flat Base and Fixed Lever, product available Oct. 15, 2011 [online], video review Aug. 4, 2013 [online], [site visited Jan. 26, 2022]:URL:< https://www.amazon.com/gp/product/B006TZE0UQ/ref=ox_sc_act_image_1?smid=AXCB29L39I26U&th=1> (Year: 2011).*

NewPhotography DSLR Camera Video Fluid Drag Tilt Pan, product no available [online], no photo/video review[online], [site visited Jan. 26, 2022]:URL:<https://www.alibaba.com/product-detail/newPhotography-DSLR-Camera-Video-Fluid-Drag_60570038689.html> (Year: 2022).*

SIRUI AM-5V New Fluid Video Head, product available Dec. 23, 2019 [online], picture review Apr. 19, 2020 [online], [site visited Jan. 26, 2022]:URL:<https://www.amazon.com/SIRUI-Release-Maximum-Degrees-Compatible/dp/B07KD3CN39?ref_ast_sto_dp> (Year: 2019).*

CowboyStudio EI-717H head, product available Jul. 2, 2009 [online], no picture/video review [online], [site visited Jan. 26, 2022]:URL:<<https://www.amazon.com/CowboyStudio-EI-717H-head-Handle-Camera/dp/B002FZ38PM?th=1>> (Year: 2009).*

ഒരു കിടില പ്ലാറ്റ്ഫോമിനെക്കുറിച്ച പരസ്യം

പ്രൊഫഷണൽ ട്രിപ്പോഡ്. Amazing Professional Tripod 2 in 1 Jmary KP2599, video review Jan. 7, 2022 [online], [site visited Jan. 27, 2022]:URL:<<https://www.youtube.com/watch?v=RfNFbJubJqs>> (Year: 2022).*

Jmary KP-2599 Professional Camera Tripod Stand, no availability or review dates [online], [site visited Jan. 27, 2022]:URL:<<https://shuttershopypt.com/shop-2/jmary-kp-2599-professional-camera-tripod-stand/>> (Year: 2022).*

Original Jmary Kp-2599, no availability or review dates [online], [site visited Jan. 27, 2022]:URL:<<https://www.daraz.com.np/products/original-jmary-kp-2599-professional-aluminum-tripodfor-dslr-camera-video-photo-tripod-black-i105172381.html>> (Year: 2022).*

Multifunctional Innovative products aluminium heavy duty tripod, no availability or review dates [online], [site visited Jan. 27, 2022]:URL:<https://www.alibaba.com/product-detail/multifunctional-Innovative-products-aluminium-heavy-duty_60159644360.html?spm=a2700.details.0.0.755c2b33QFbgAF> (Year: 2022).*

Tripod Jmary KP-2599, no availability or review dates [online], [site visited Jan. 27, 2022]:URL:<<https://www.rimedia.mu/shop/tripod-jmary-kp-2599-2003#attr=>>> (Year: 2022).*

Трипод Jmary KP-2599, no availability or review dates [online], [site visited Jan. 27, 2022]:URL:<https://20000.ru/catalog/shtativy_tripody/tripod_jmary_kp_2599_napolnyy_dlya_foto_videokamer_535_1650mm_chernyy/> (Year: 2022).*

* cited by examiner

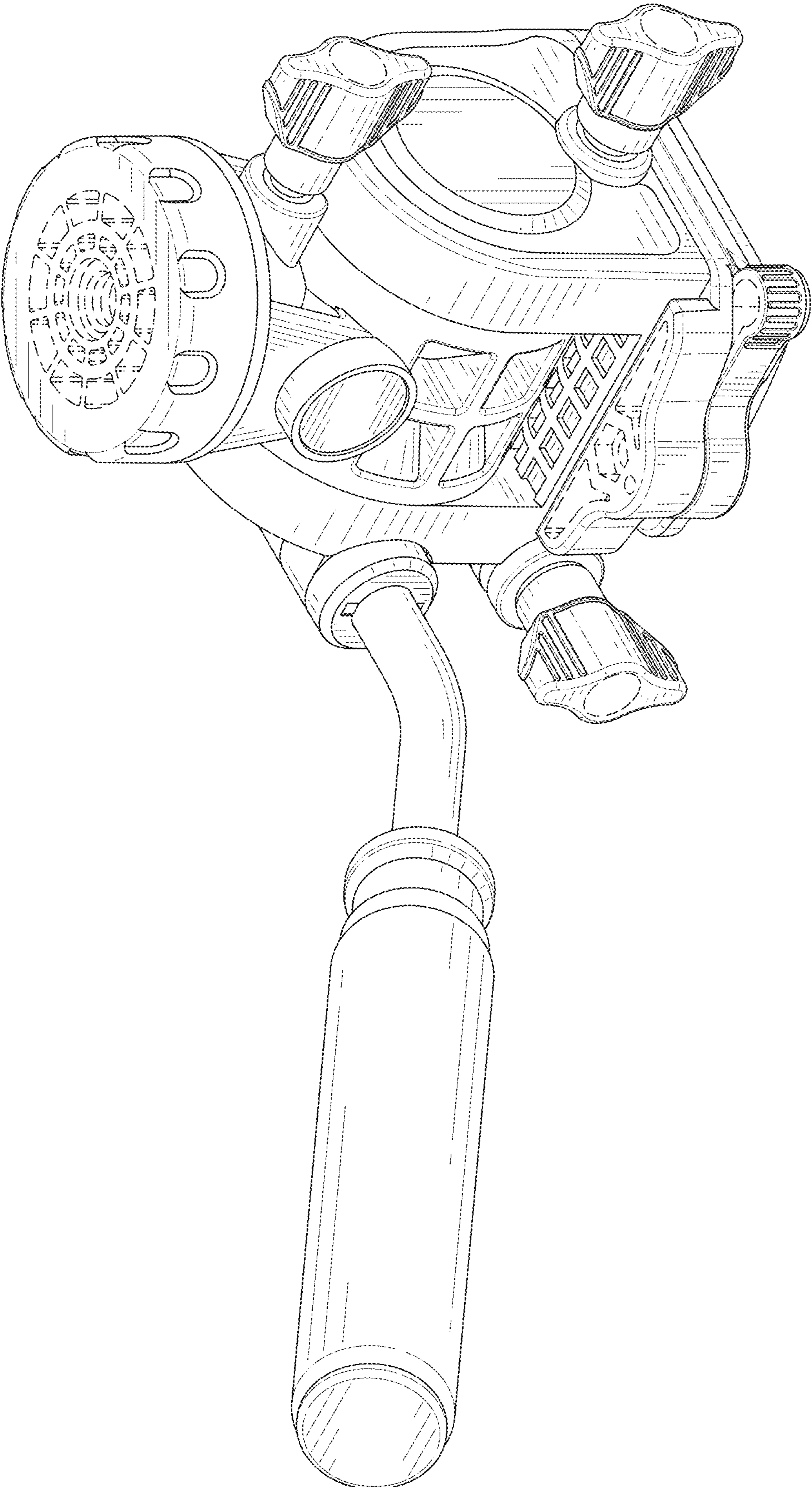


FIG. 1

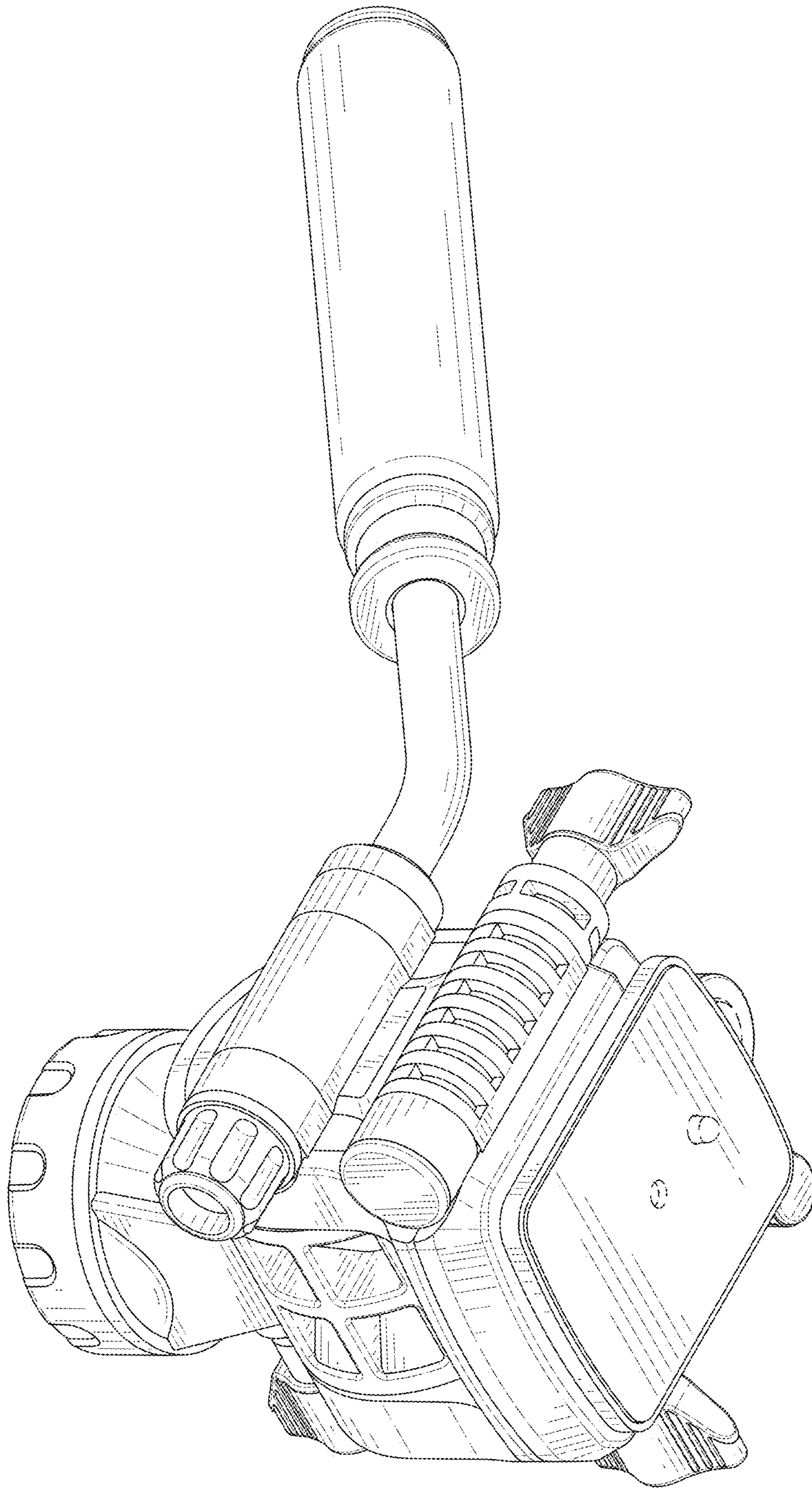


FIG. 2

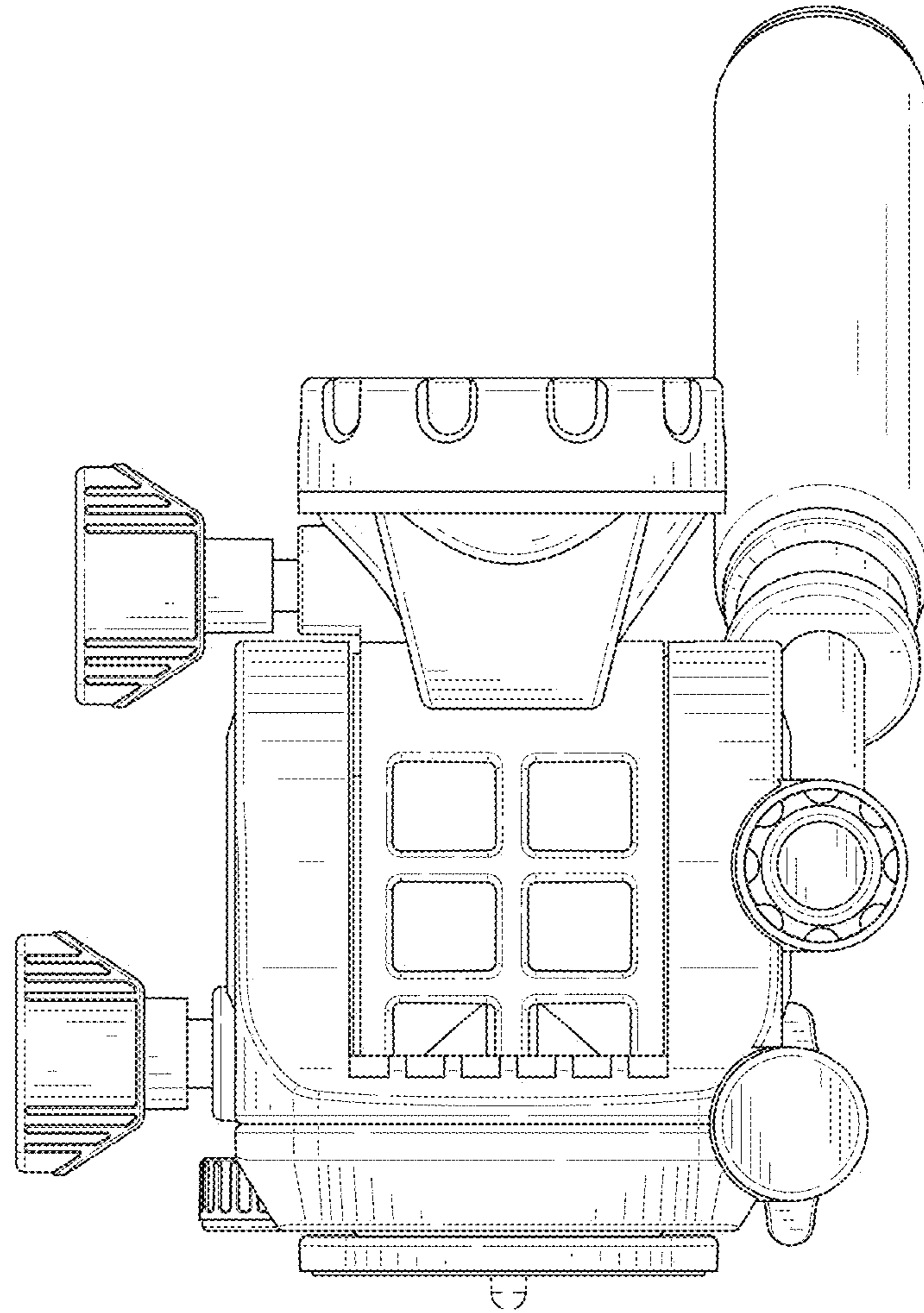


FIG. 3

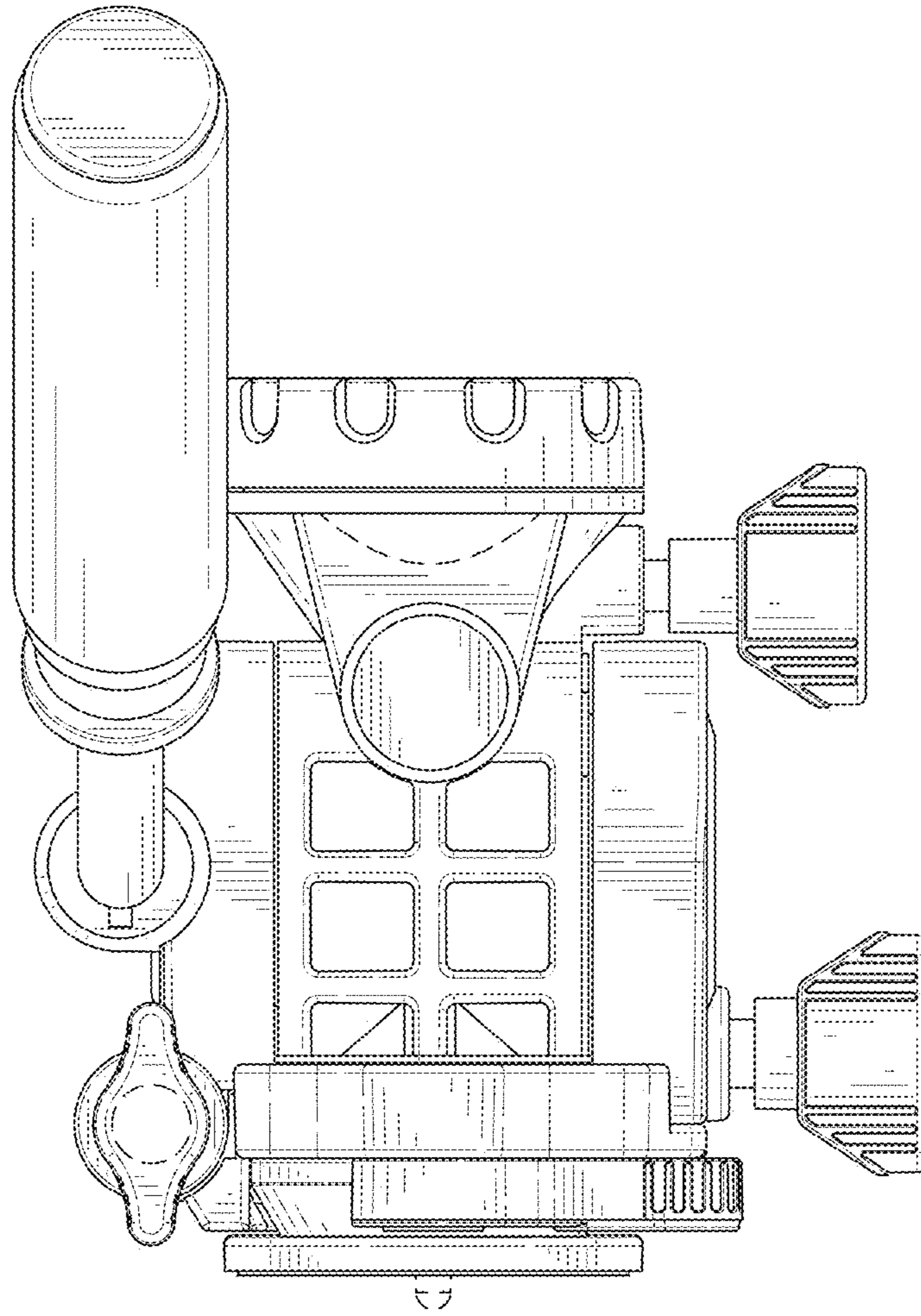


FIG. 4

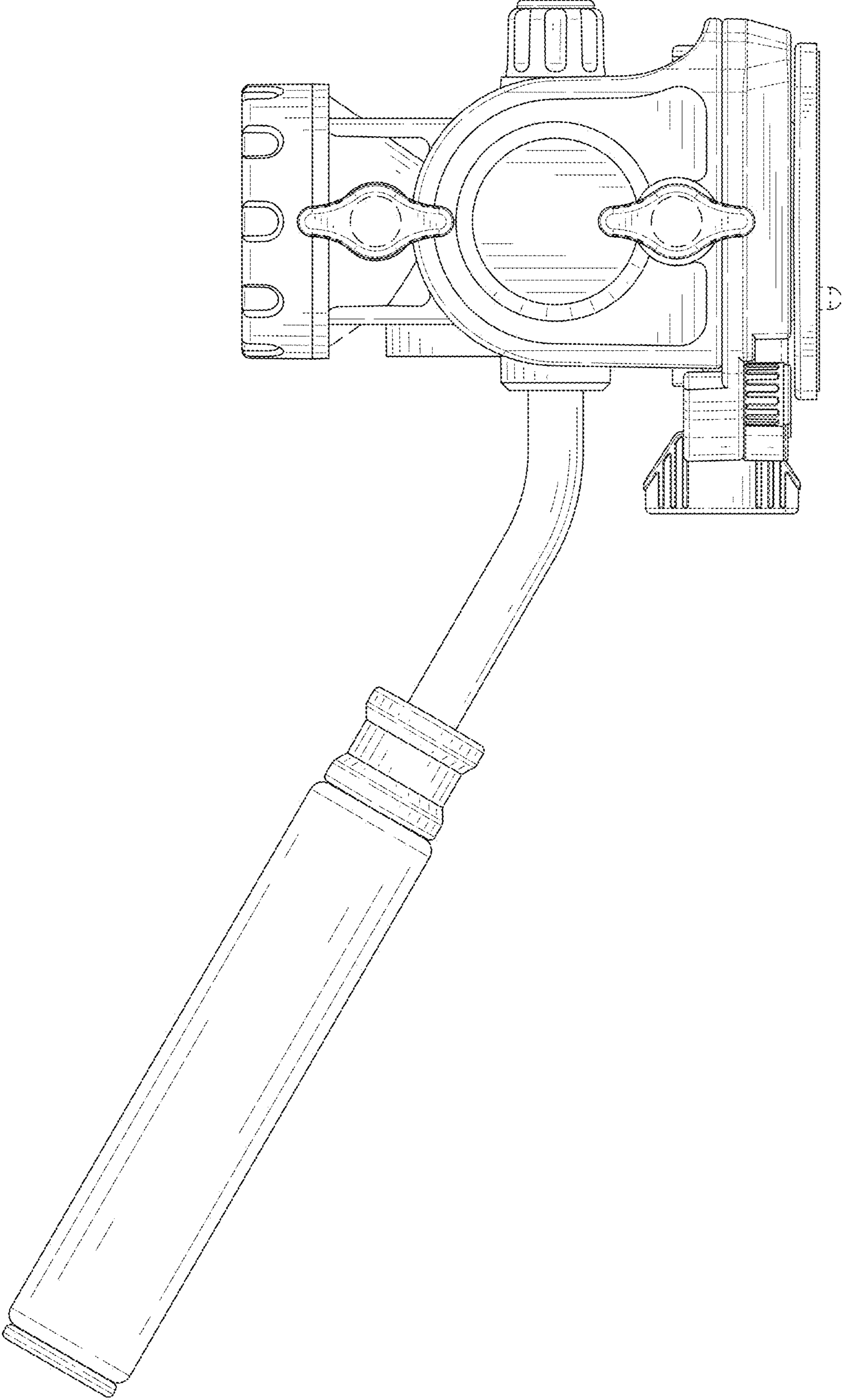


FIG. 5

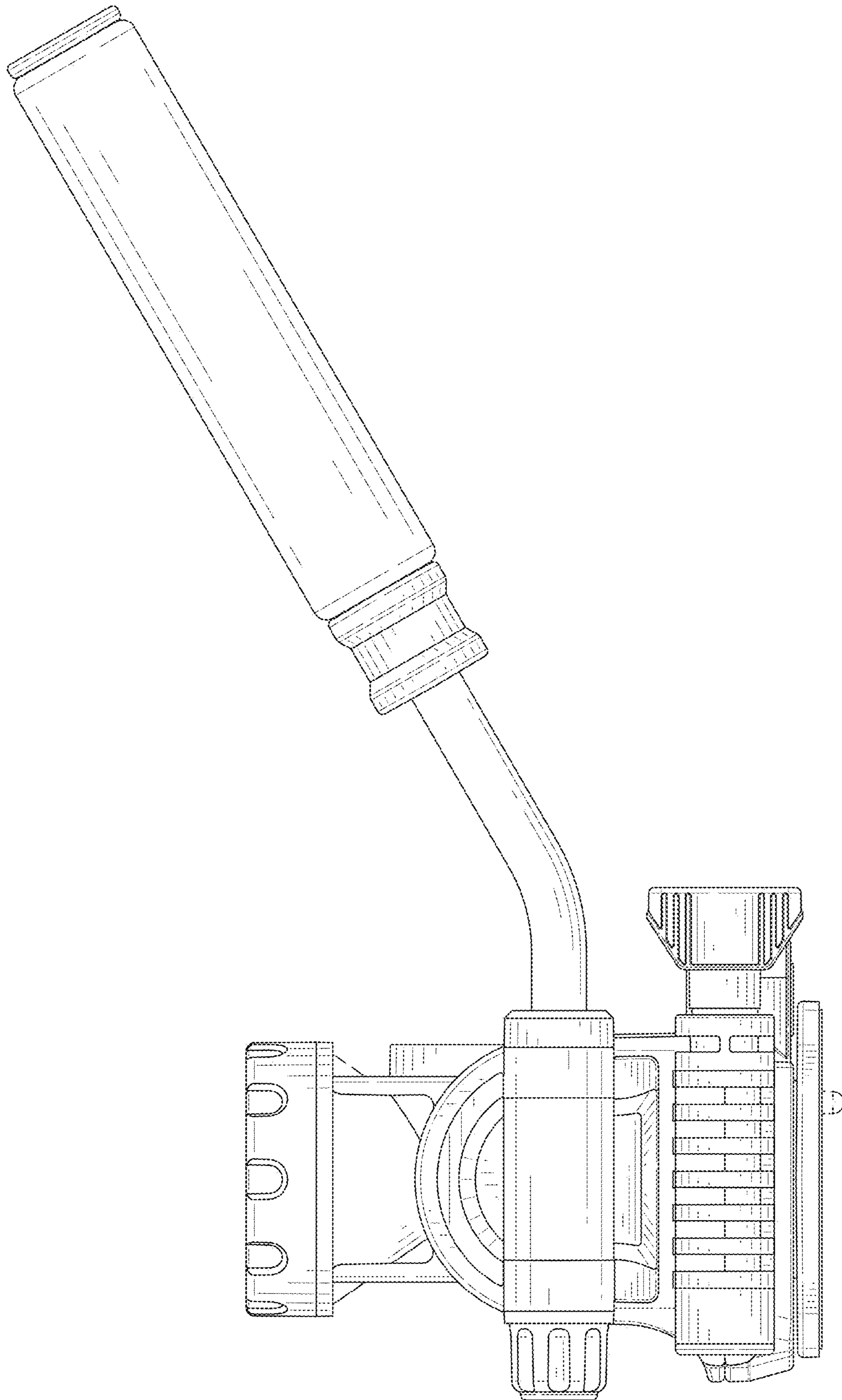


FIG. 6

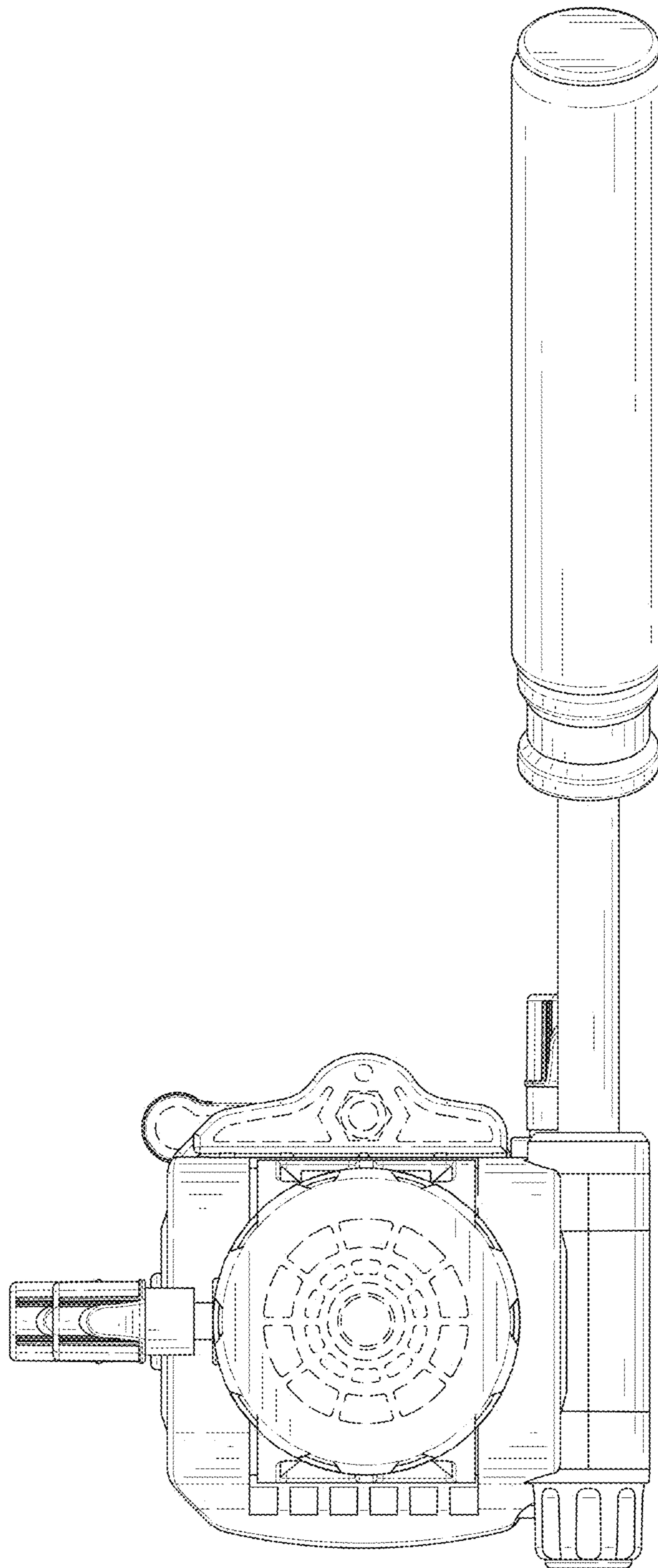


FIG. 7

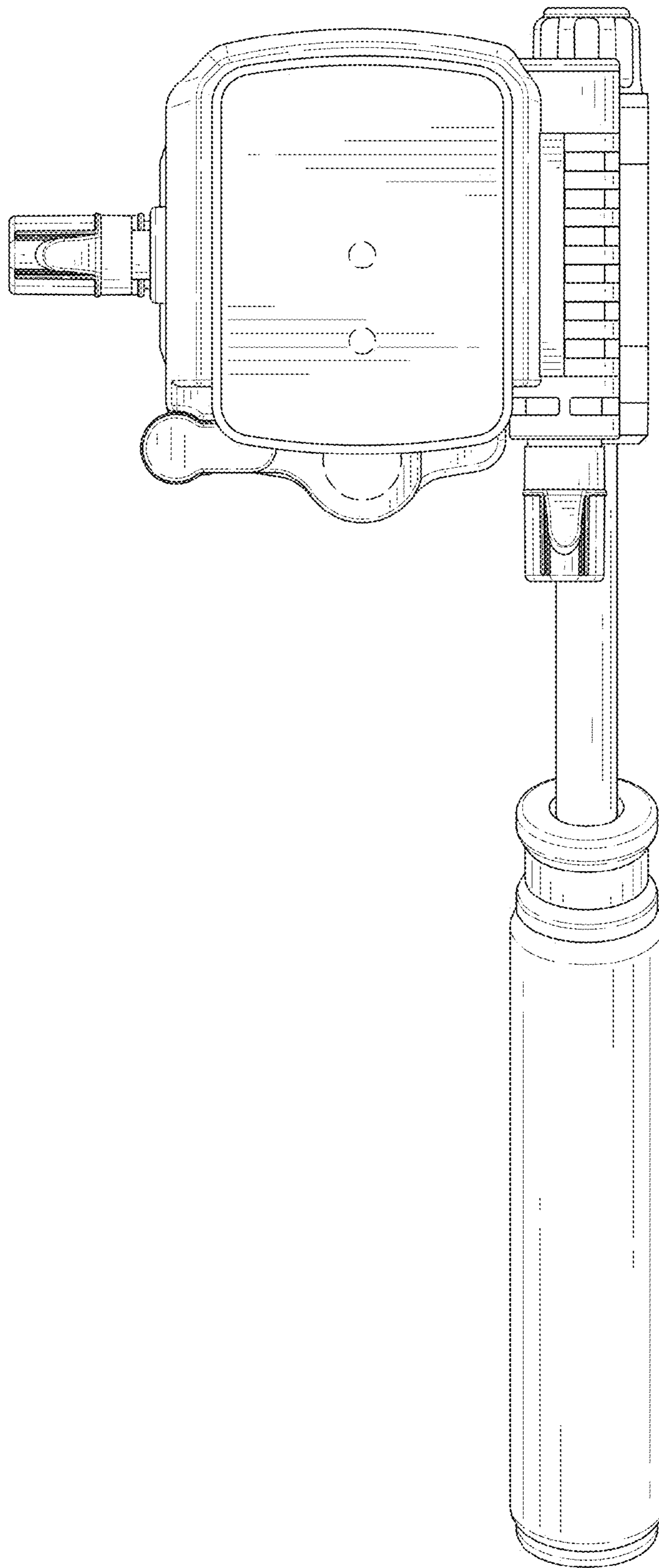


FIG. 8