



US00D962325S

(12) **United States Design Patent** (10) **Patent No.:** **US D962,325 S**
Wu (45) **Date of Patent:** **** Aug. 30, 2022**

(54) **PROJECTOR SUPPORT STAND**

D633,548 S * 3/2011 Huang D16/242
D747,397 S * 1/2016 Go D16/235
D949,952 S * 4/2022 Luo D16/242
2013/0175411 A1 * 7/2013 Kim G03B 21/54
248/121

(71) Applicant: **Wuxi Gleam Musical Instrument Technology Co., Ltd., Wuxi (CN)**

(72) Inventor: **Yuehua Wu, Wuxi (CN)**

(73) Assignee: **WUXI GLEAM MUSICAL INSTRUMENT TECHNOLOGY CO., LTD., Wuxi (CN)**

(**) Term: **15 Years**

(21) Appl. No.: **29/766,655**

(22) Filed: **Jan. 18, 2021**

(30) **Foreign Application Priority Data**

Sep. 10, 2020 (CN) 202030535102.X

(51) **LOC (13) Cl.** **16-02**

(52) **U.S. Cl.**
USPC **D16/235; D16/242**

(58) **Field of Classification Search**
USPC D16/235, 237, 242, 245, 208, 244;
D8/380, 355; D14/208.1, 224, 447, 451
CPC G03B 17/561; G03B 21/14; G03B 17/56;
G03B 21/00; G03B 21/54
See application file for complete search history.

(56) **References Cited**

U.S. PATENT DOCUMENTS

D347,501 S * 5/1994 Chapman D16/242
D514,612 S * 2/2006 Boele D16/235
D540,367 S * 4/2007 Dittmer D16/242
7,503,536 B2 * 3/2009 Friederich F16M 11/043
248/343
D624,578 S * 9/2010 Smith D16/242

OTHER PUBLICATIONS

Amada Projector Tripod Stand, Foldable Laptop Tripod, Multifunctional DJ Racks/Projector Stand with Adjustable Height, Perfect for Office, Home, Stage or Studio-AMPS01. Retrieved on May 25, 2022. Retrieved from the Internet <https://www.amazon.com/Projector-Multifunctional-Adjustable-AMADA-HOMEFURNISHING/dp/B08BYMDF9G>. Jun. 28, 2020.*

* cited by examiner

Primary Examiner — Wan Laymon

(74) *Attorney, Agent, or Firm* — Bayramoglu Law Offices LLC

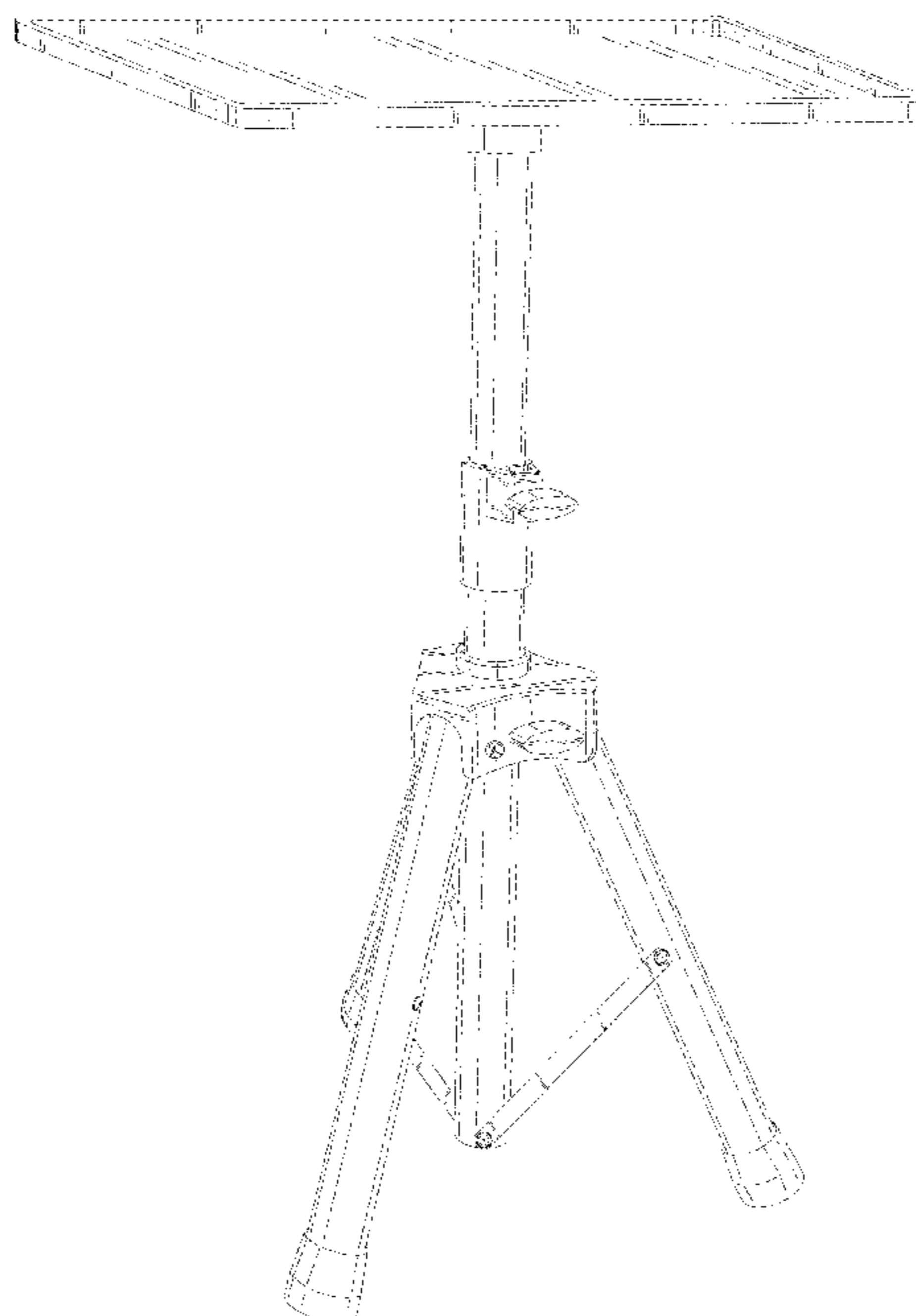
(57) **CLAIM**

The ornamental design for a projector support stand, as shown and described.

DESCRIPTION

FIG. 1 is a perspective view of a projector support stand showing my new design;
FIG. 2 is a front view thereof;
FIG. 3 is a rear view thereof;
FIG. 4 is a right side view thereof;
FIG. 5 is a left side view thereof;
FIG. 6 is a top view thereof; and,
FIG. 7 is a bottom view thereof.

1 Claim, 7 Drawing Sheets



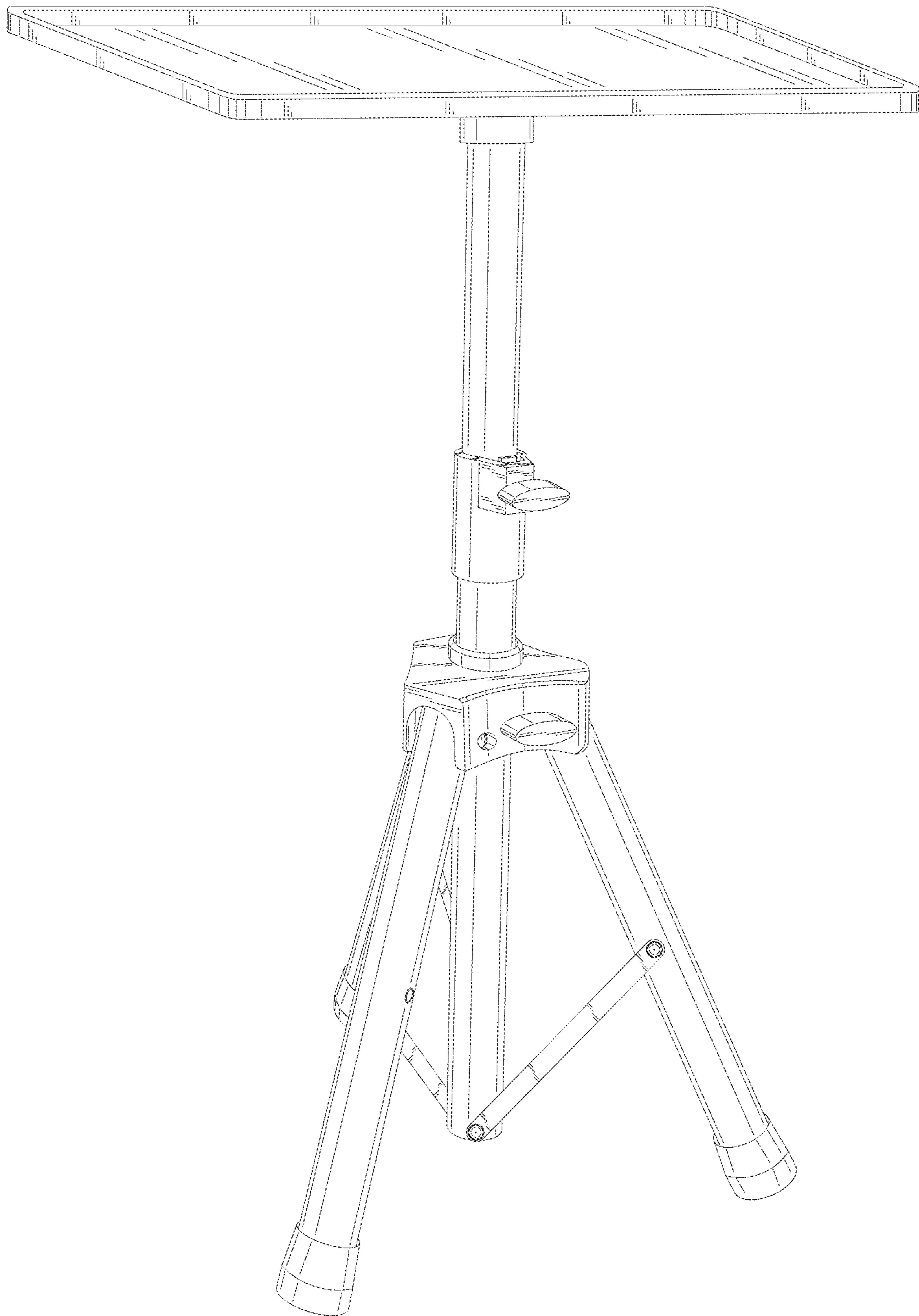


FIG. 1

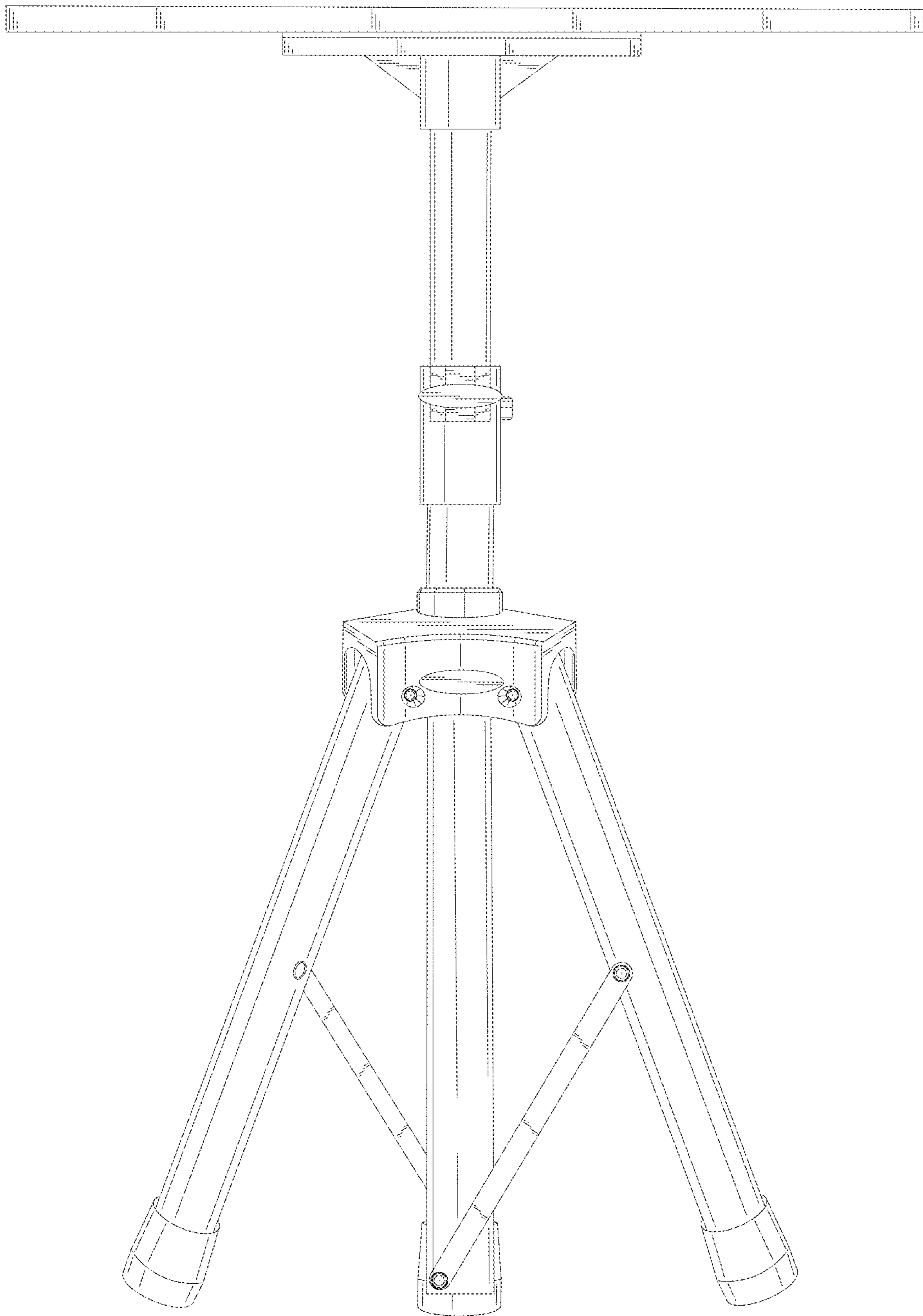


FIG. 2

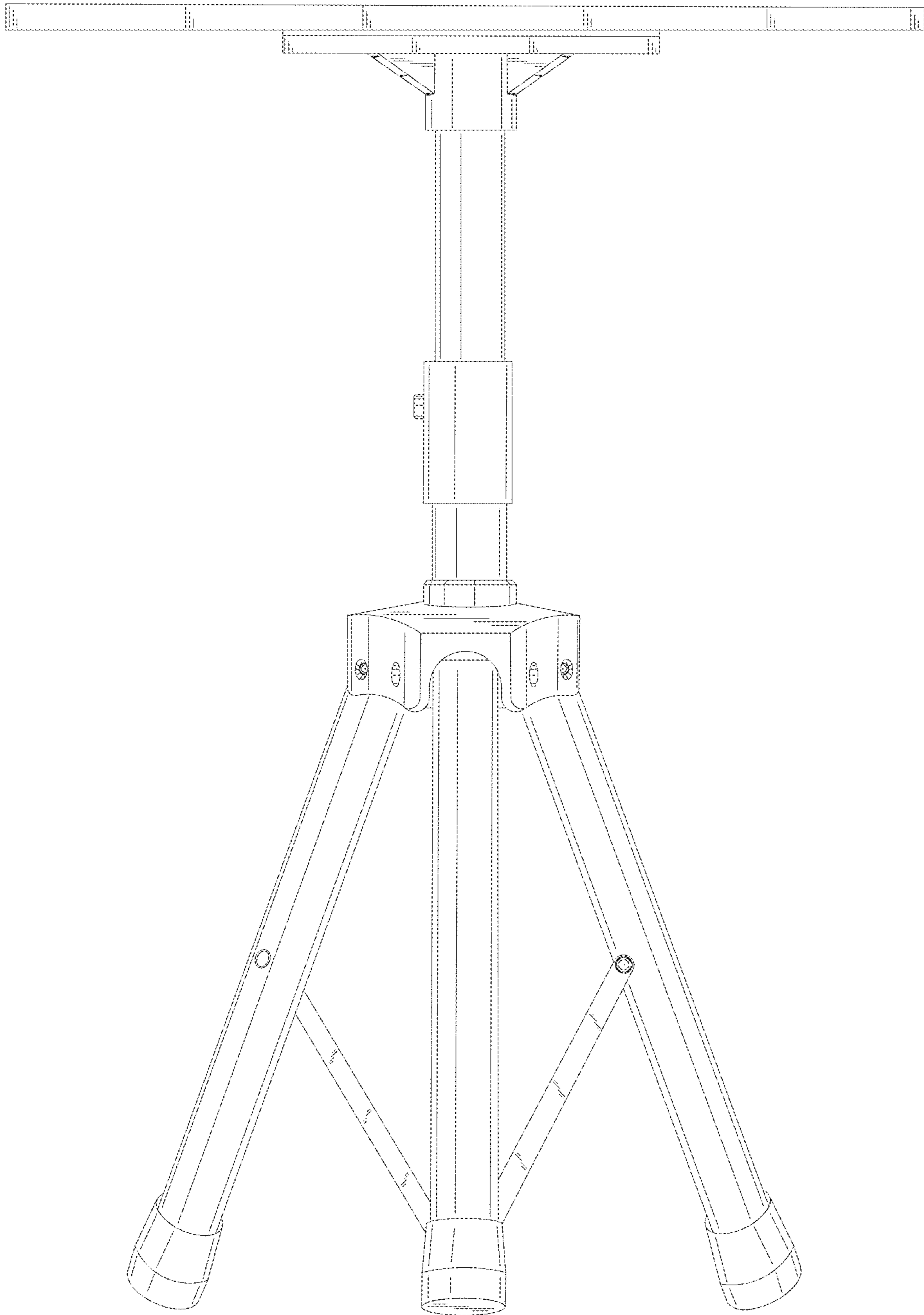


FIG. 3

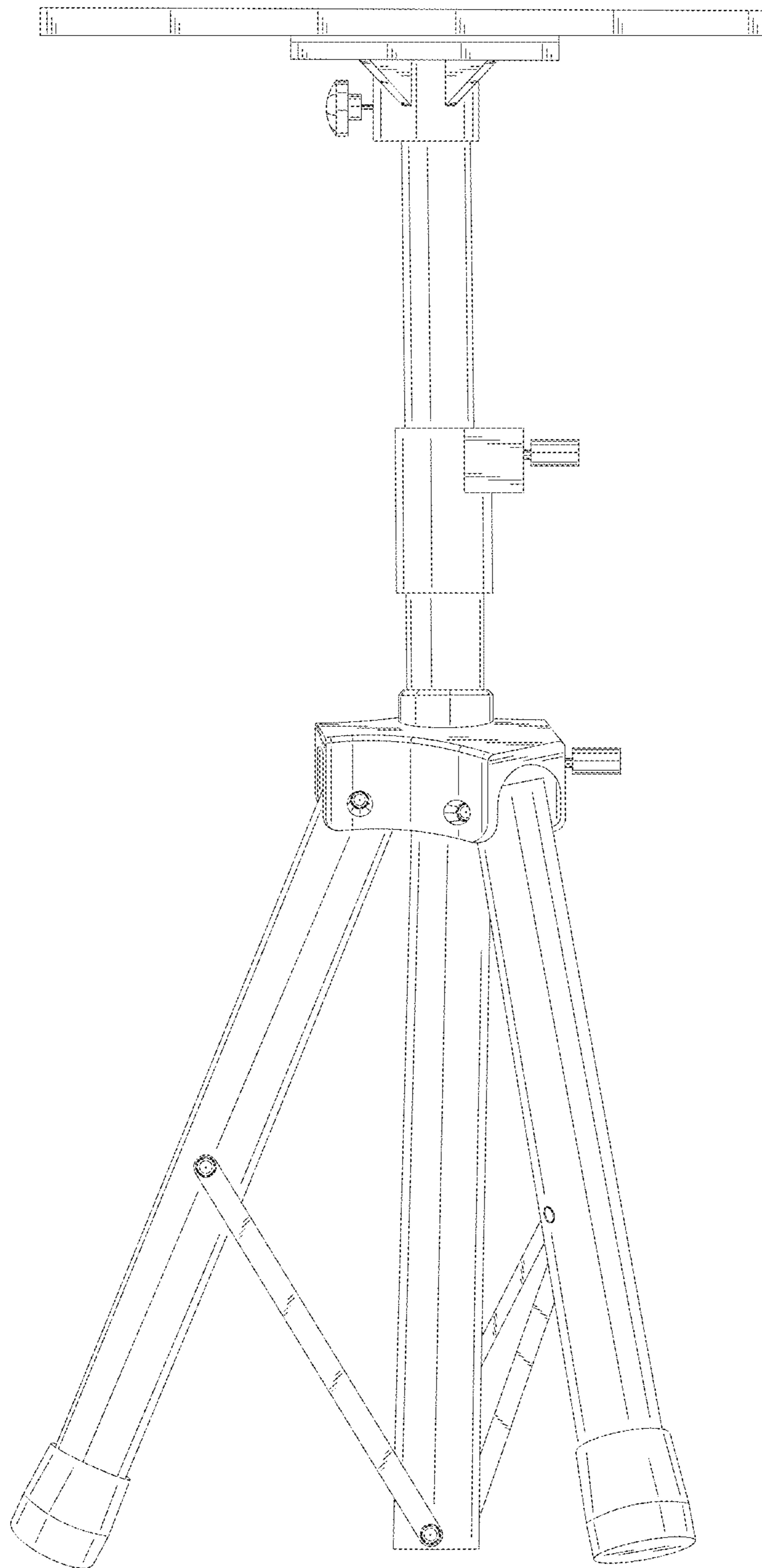


FIG. 4

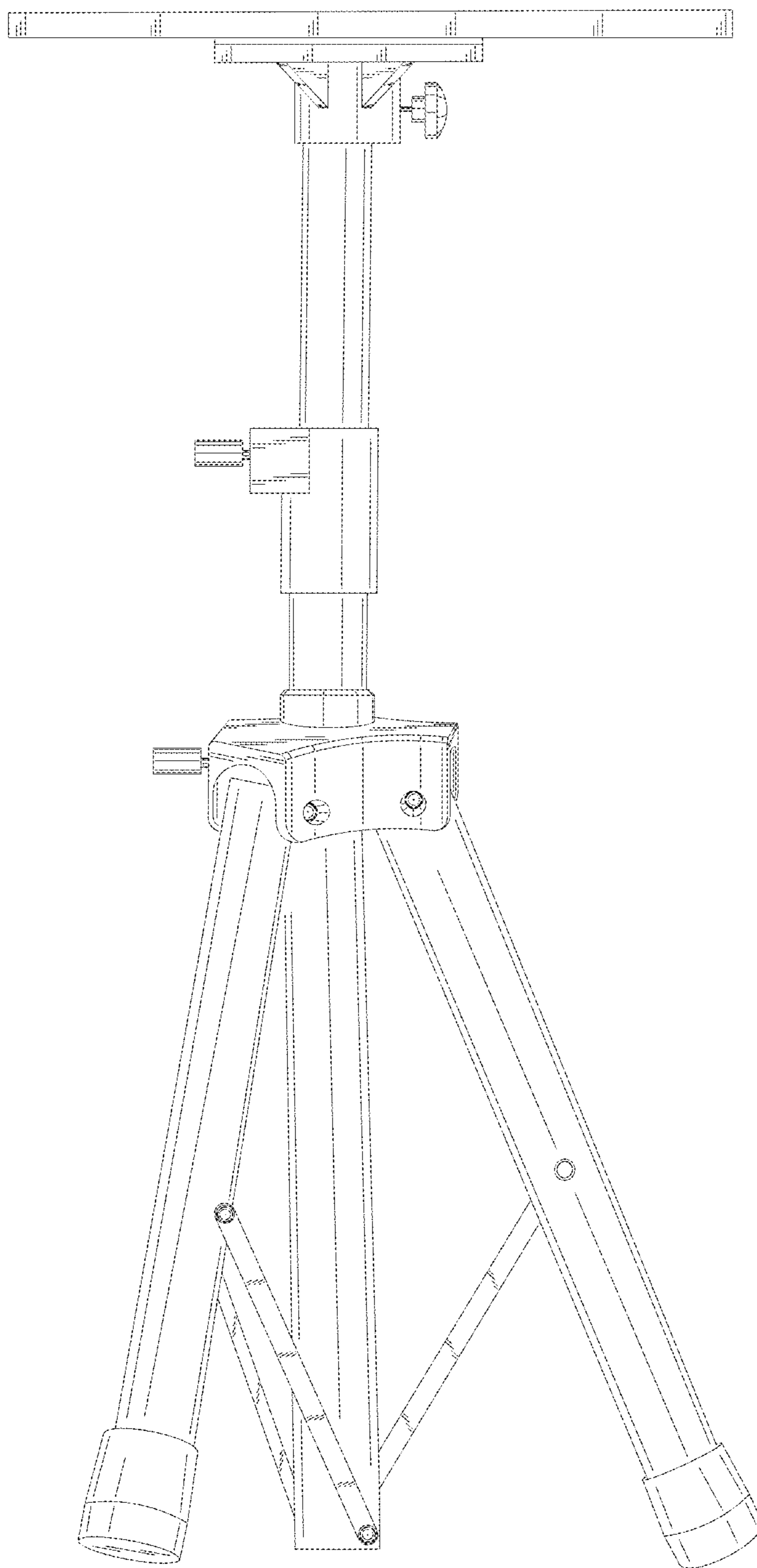


FIG. 5

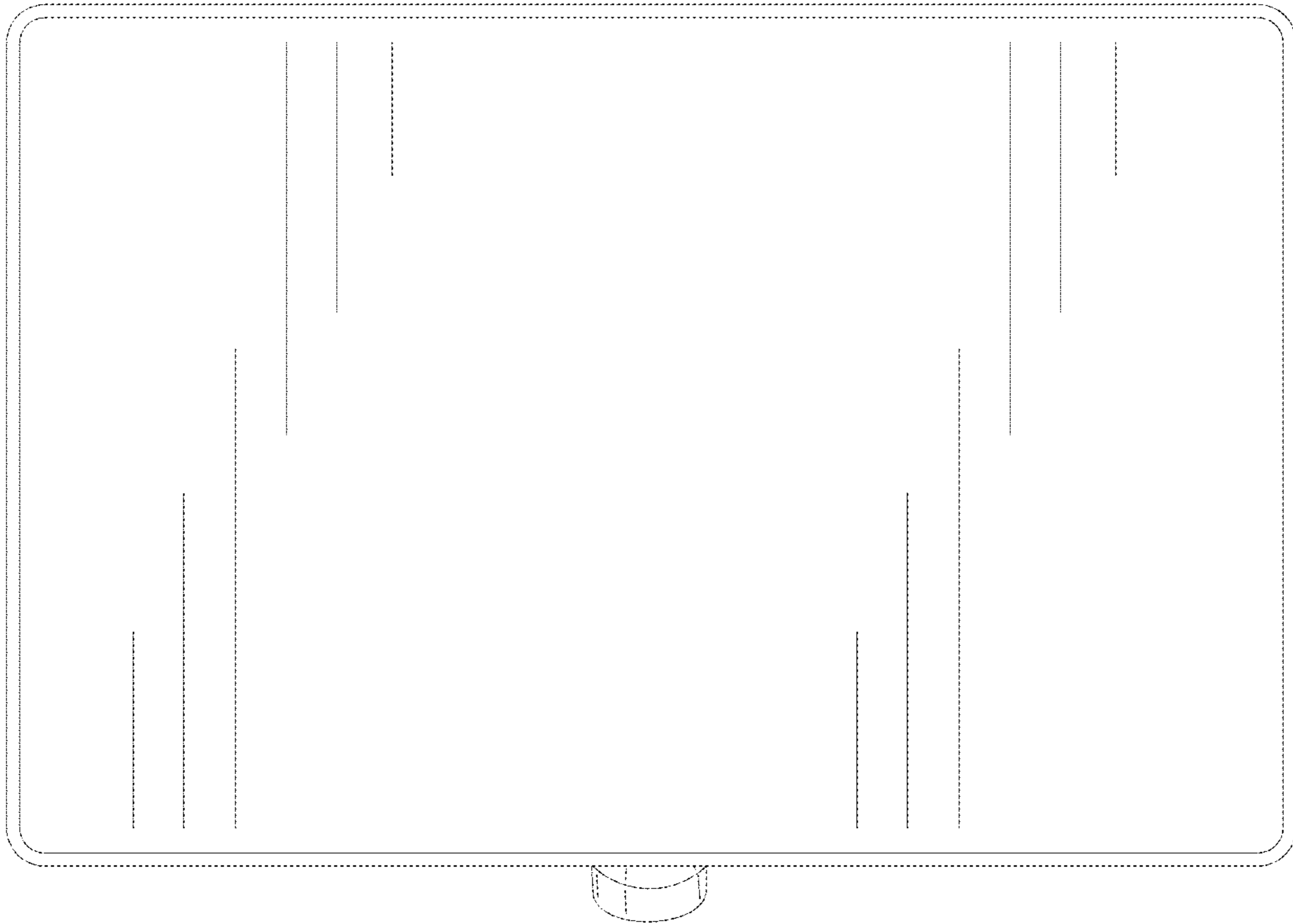


FIG. 6

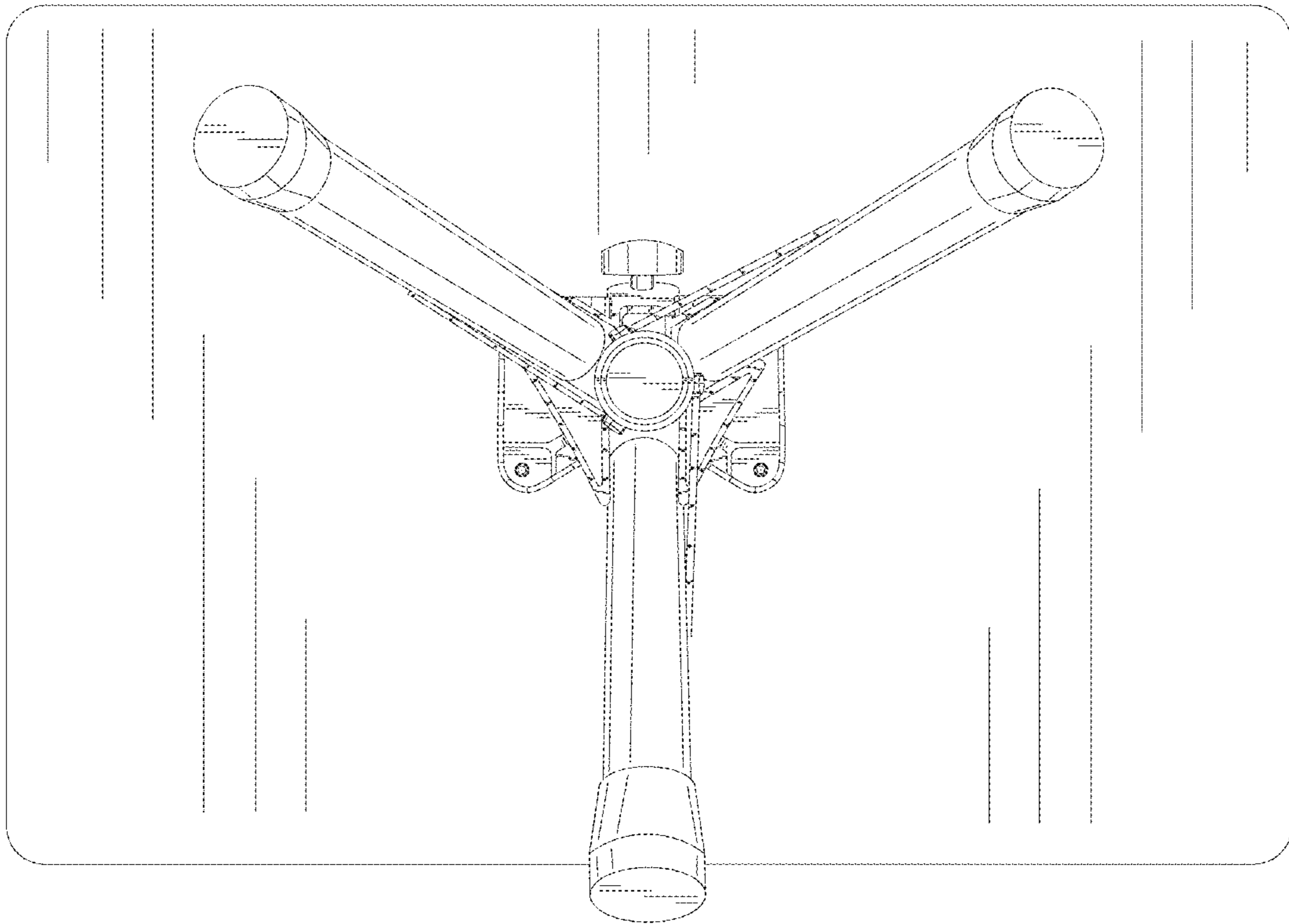


FIG. 7