



US00D962323S

(12) **United States Design Patent**
Zhou

(10) **Patent No.:** **US D962,323 S**

(45) **Date of Patent:** **** Aug. 30, 2022**

(54) **HOOK UP CAMERA**

(71) Applicant: **Minhuai Zhou**, Guangxi (CN)

(72) Inventor: **Minhuai Zhou**, Guangxi (CN)

(**) Term: **15 Years**

(21) Appl. No.: **29/799,047**

(22) Filed: **Jul. 12, 2021**

(51) **LOC (13) Cl.** **16-01**

(52) **U.S. Cl.**
USPC **D16/218; D16/203**

(58) **Field of Classification Search**
USPC D16/200, 202–206, 218, 219, 242;
348/143, 148, 151, 373–376; 396/419,
396/427, 535, 539–541
CPC G03B 17/02; G03B 19/04; G03B 17/56;
G03B 17/04; G03B 15/03; H04N 5/2251;
H04N 5/2252; H04N 5/2253; H04N
5/2254; H04N 7/181; H04N 7/183; H04N
7/18; G08B 13/1963; G08B 13/19619;
G08B 13/19632; F16M 11/04; F16M
13/00

See application file for complete search history.

(56) **References Cited**

U.S. PATENT DOCUMENTS

D729,859 S * 5/2015 Shin D16/203
D734,801 S * 7/2015 Yang D16/202
D743,465 S * 11/2015 Aglassinger D16/203
D745,916 S * 12/2015 Oh D16/134
D748,178 S * 1/2016 Scalisi D10/118.2

D751,619 S 3/2016 Jeong
D752,674 S * 3/2016 Katori D16/203
D758,470 S * 6/2016 Kircher D16/215
D861,761 S 10/2019 Bergman
D876,522 S * 2/2020 Duffy H04N 5/2251
D16/219
D890,834 S * 7/2020 Donaghy D16/242
D891,500 S * 7/2020 Tang D16/203

* cited by examiner

Primary Examiner — Ramzi Almatrahi

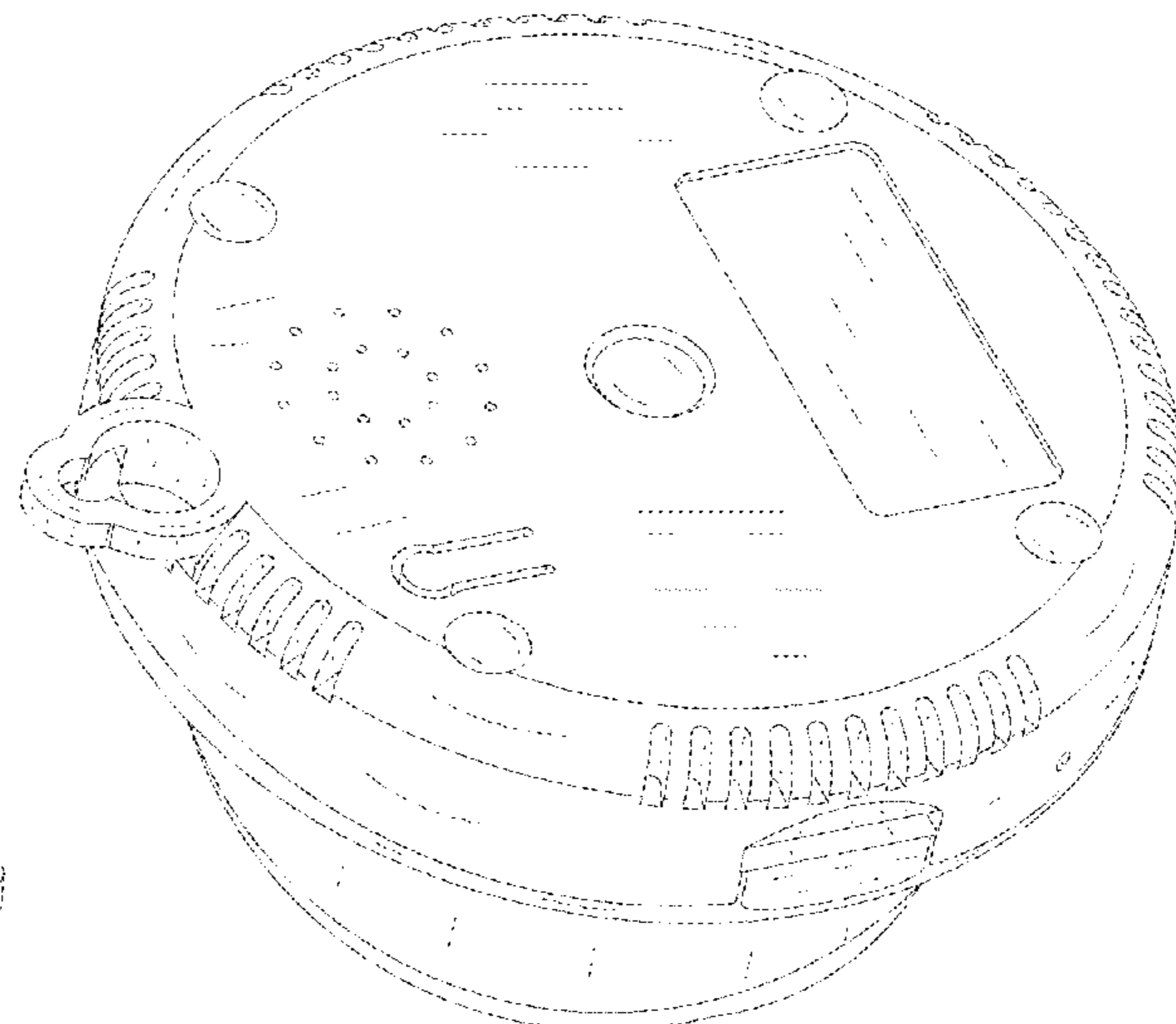
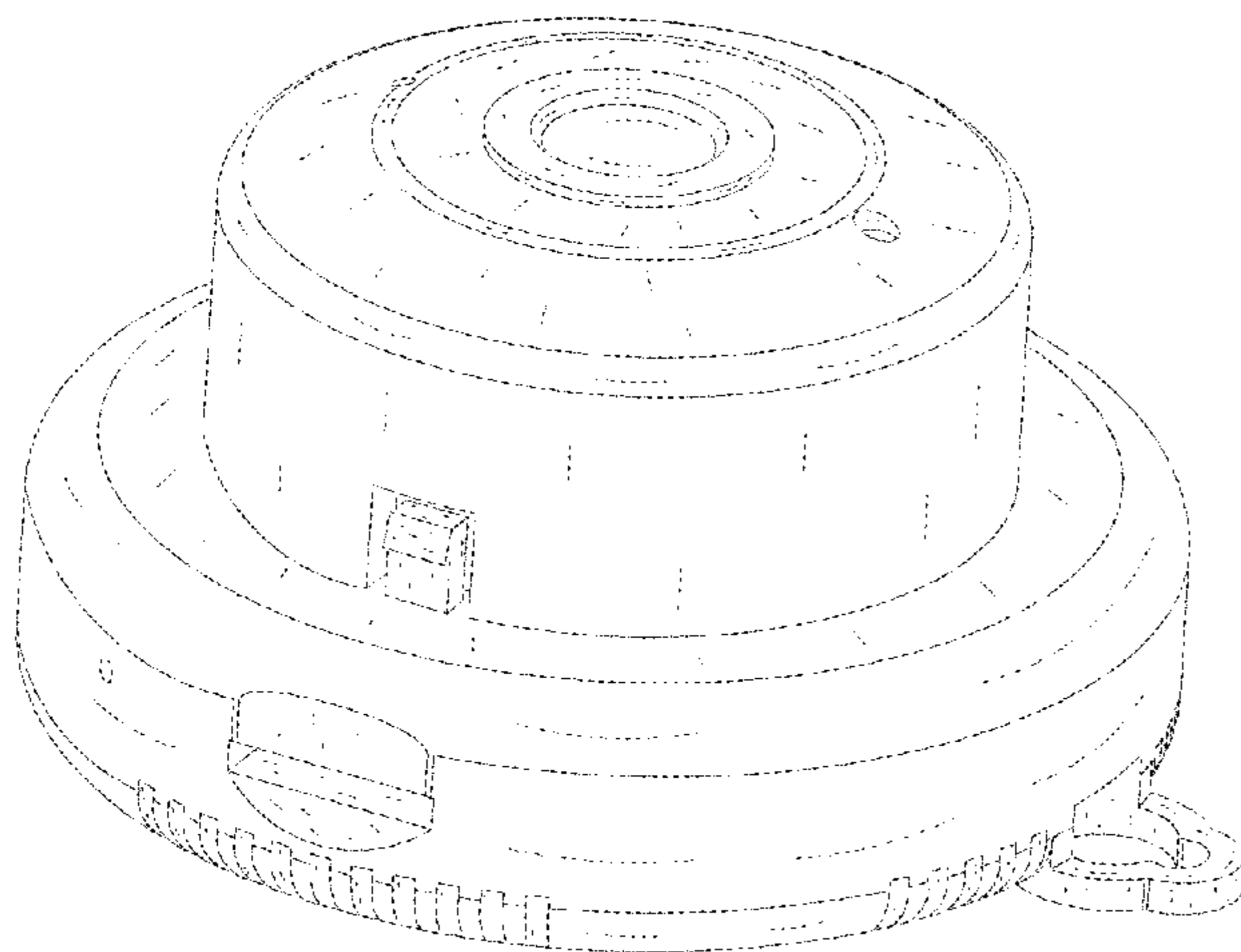
(57) **CLAIM**

The ornamental design for a hook up camera, as shown and described.

DESCRIPTION

FIG. 1 is a top, back and left side perspective view of a hook up camera showing my new design;
FIG. 2 is a bottom, back and left side perspective view thereof;
FIG. 3 is a front elevation view thereof;
FIG. 4 is a back elevation view thereof;
FIG. 5 is a right side elevation view thereof;
FIG. 6 is a left side elevation view thereof;
FIG. 7 is a top plan view thereof; and,
FIG. 8 is a bottom plan view thereof.
The broken lines depict portions of the hook up camera in which the design is embodied that form no part of the claimed design.

1 Claim, 8 Drawing Sheets



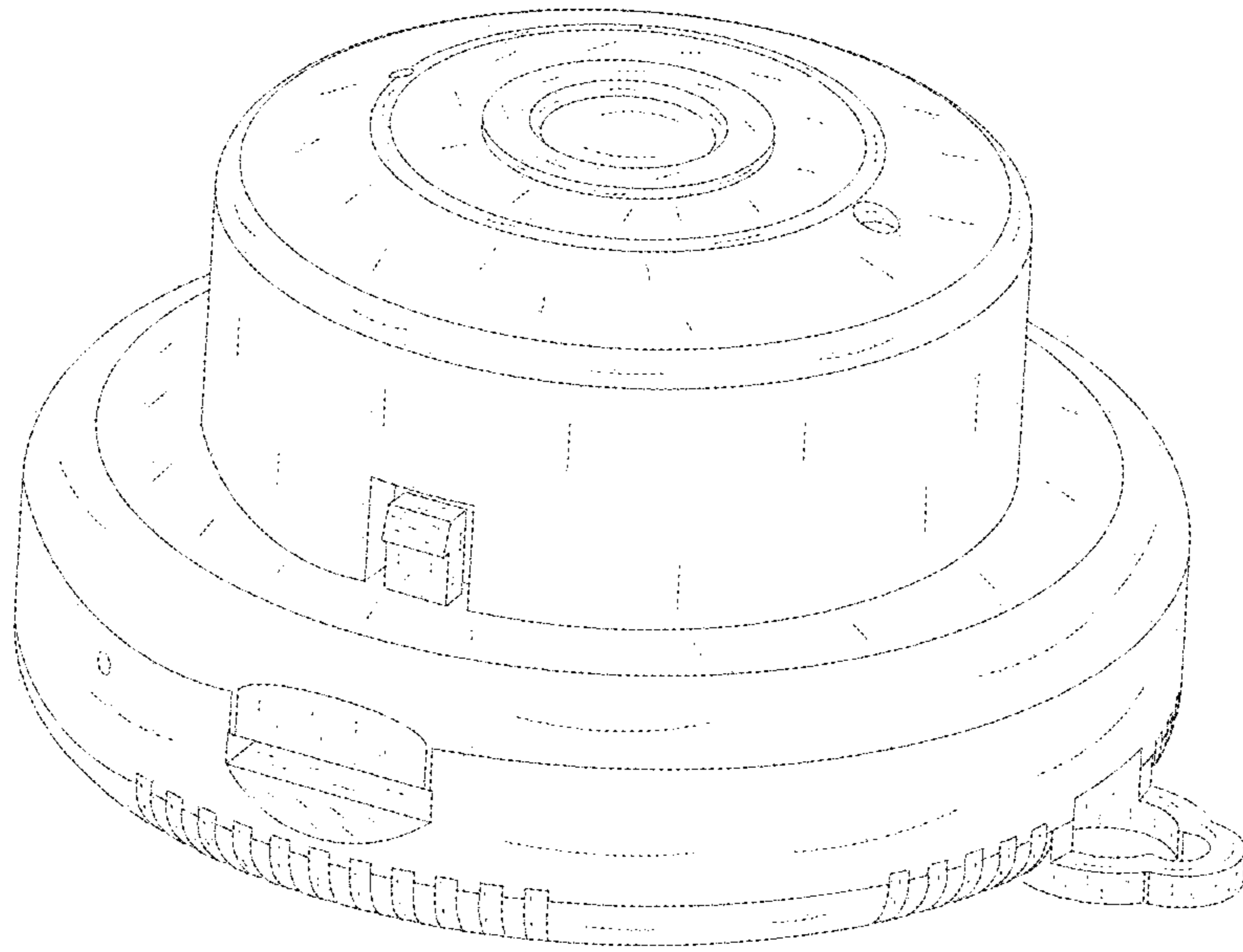


FIG. 1

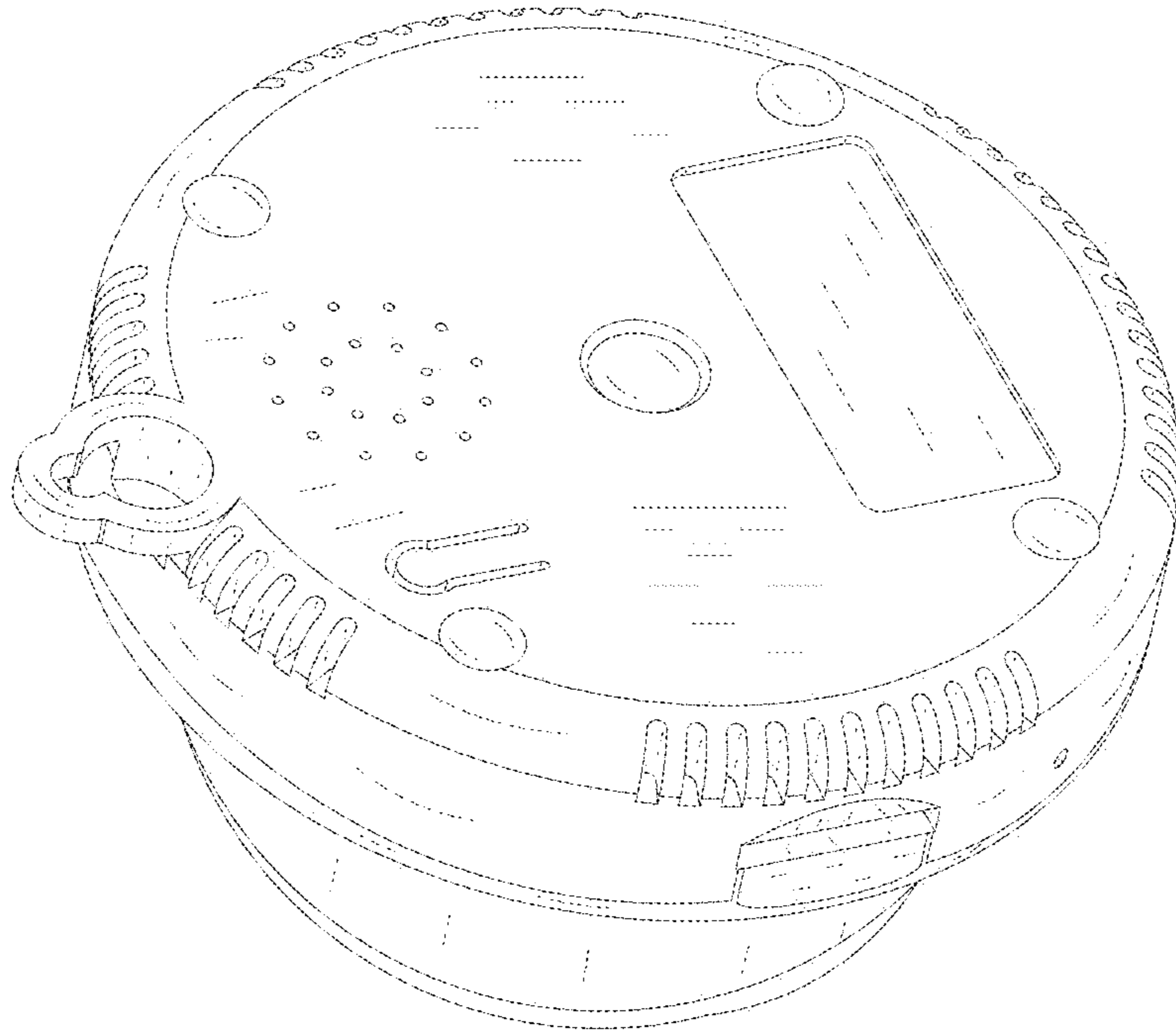


FIG. 2

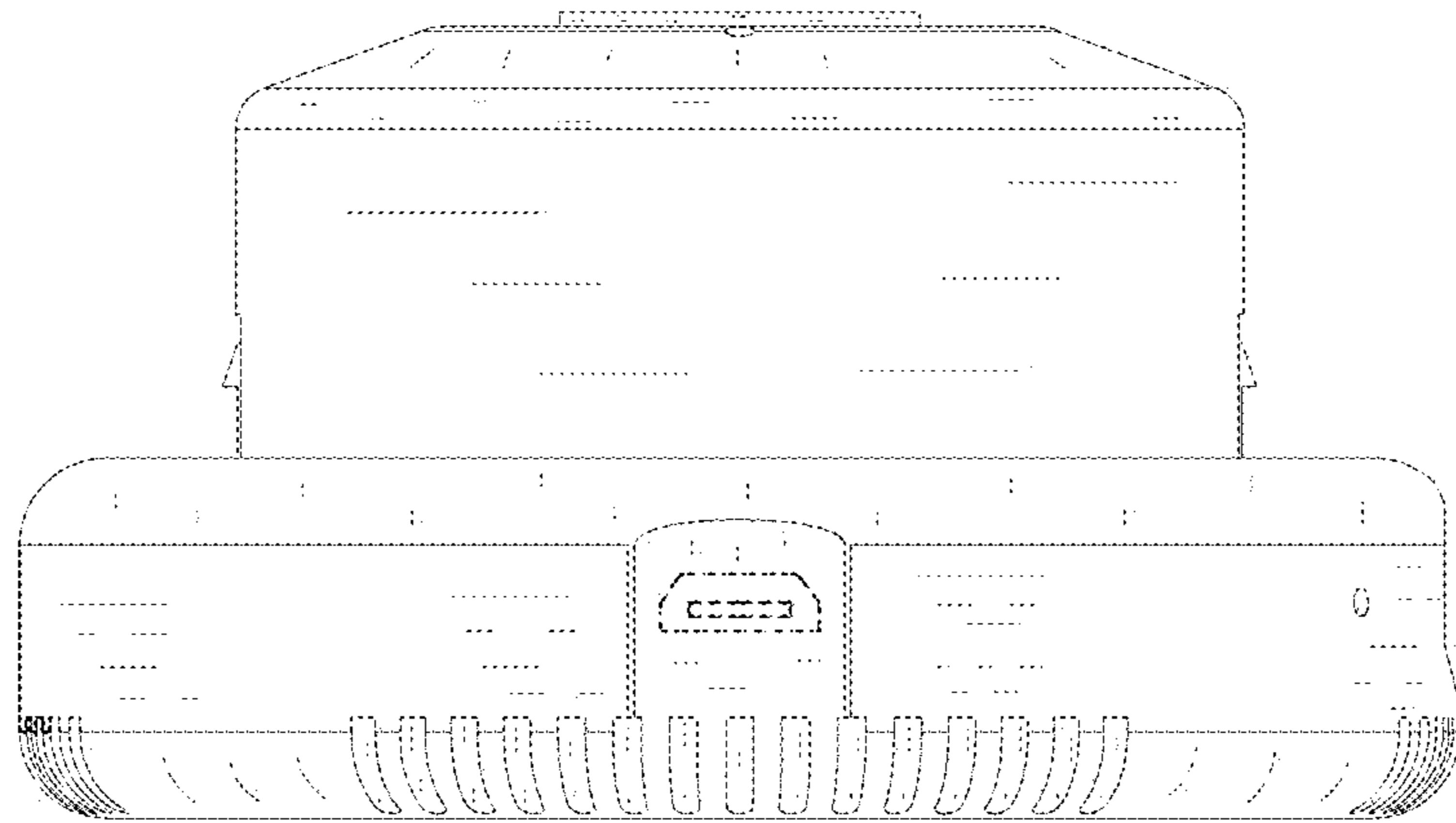


FIG. 3

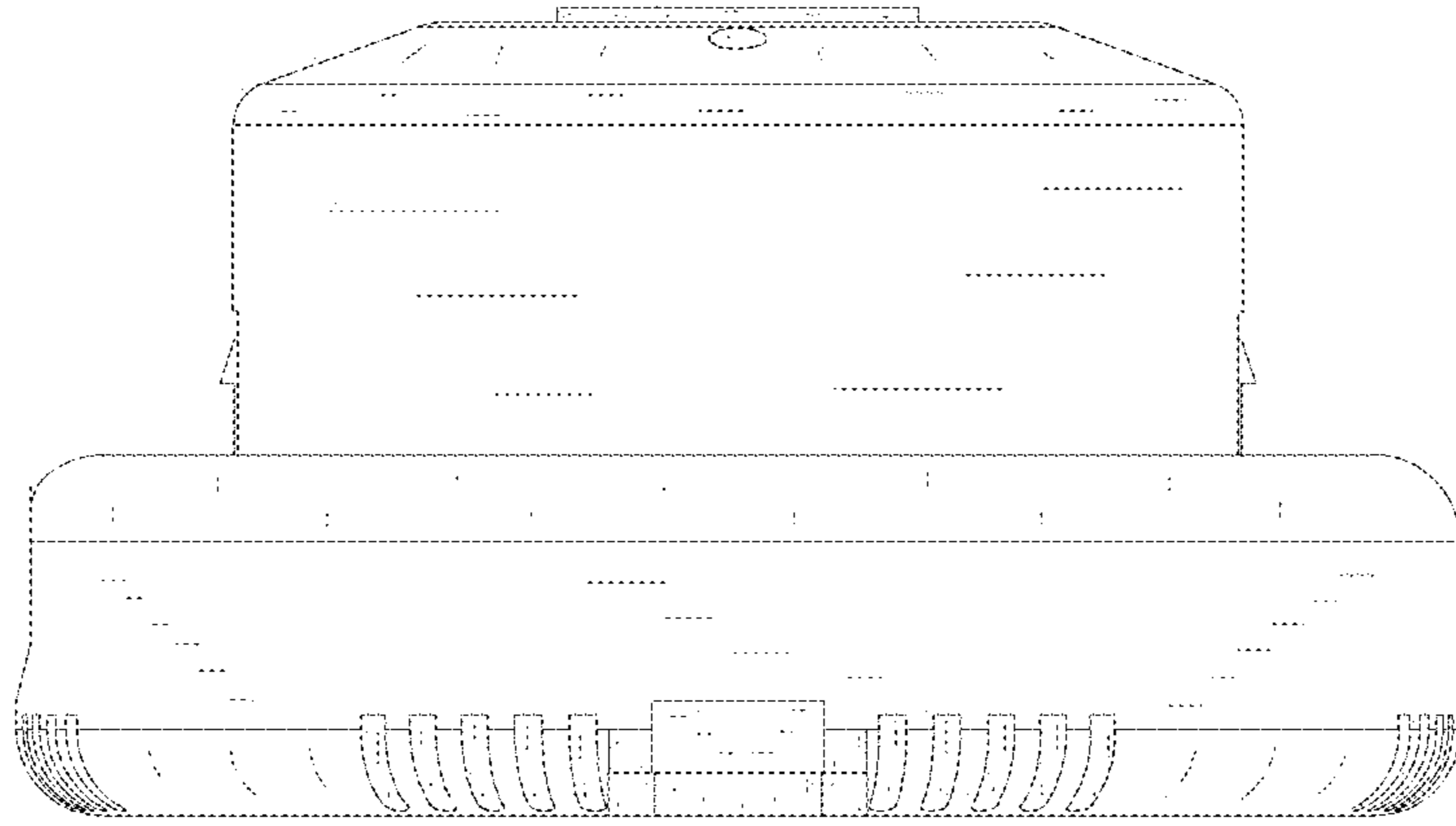


FIG. 4

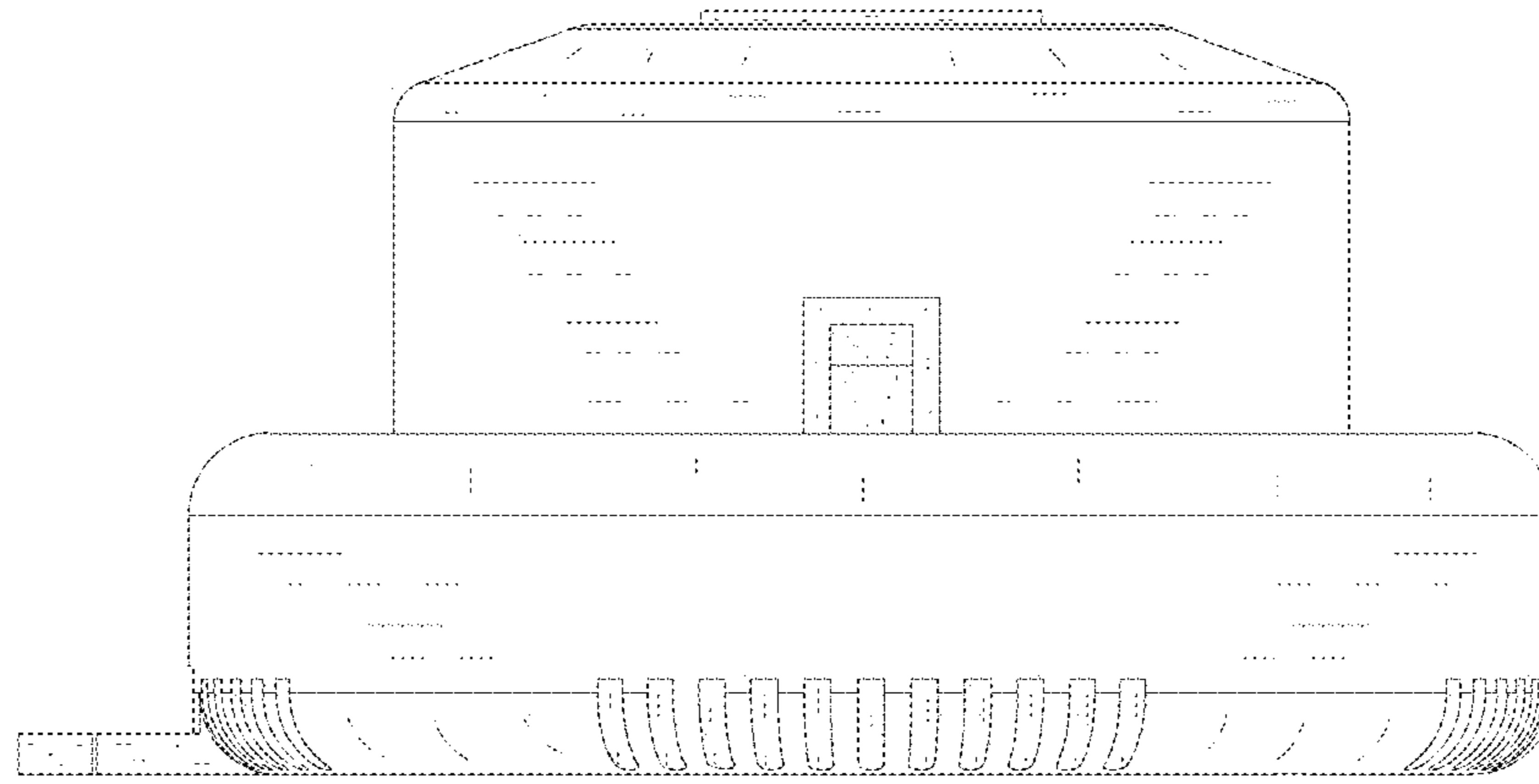


FIG. 5

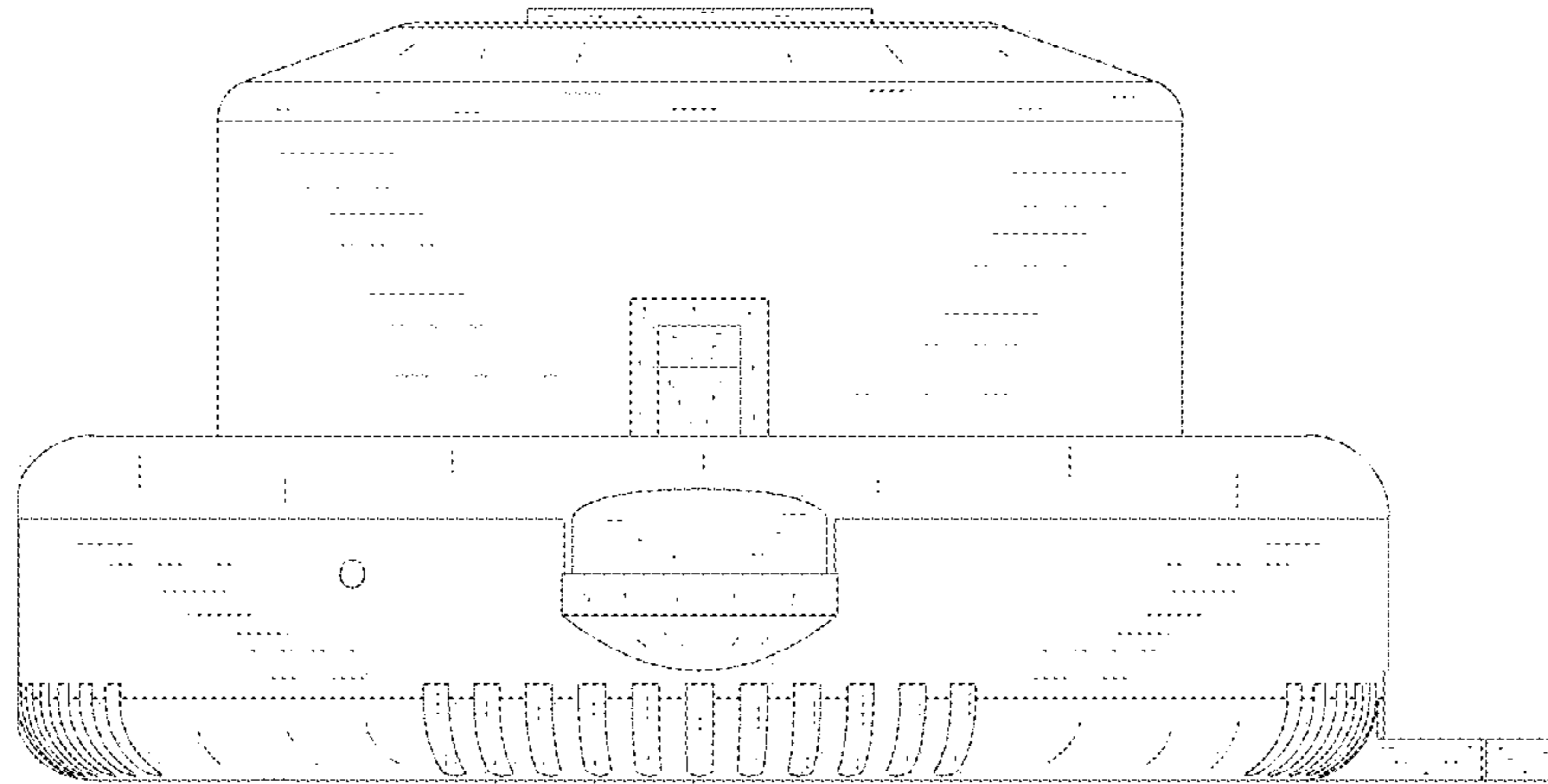


FIG. 6

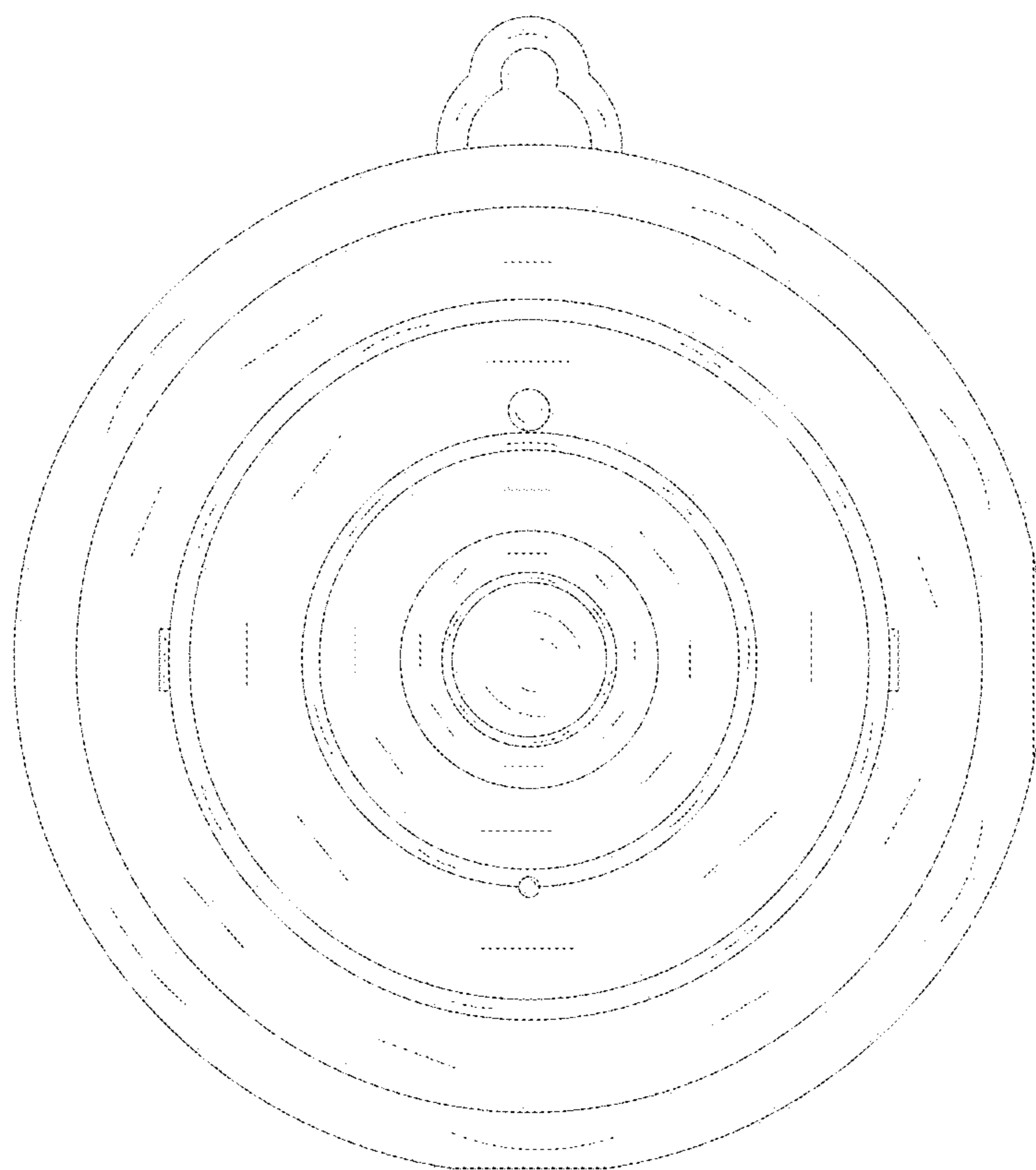


FIG. 7

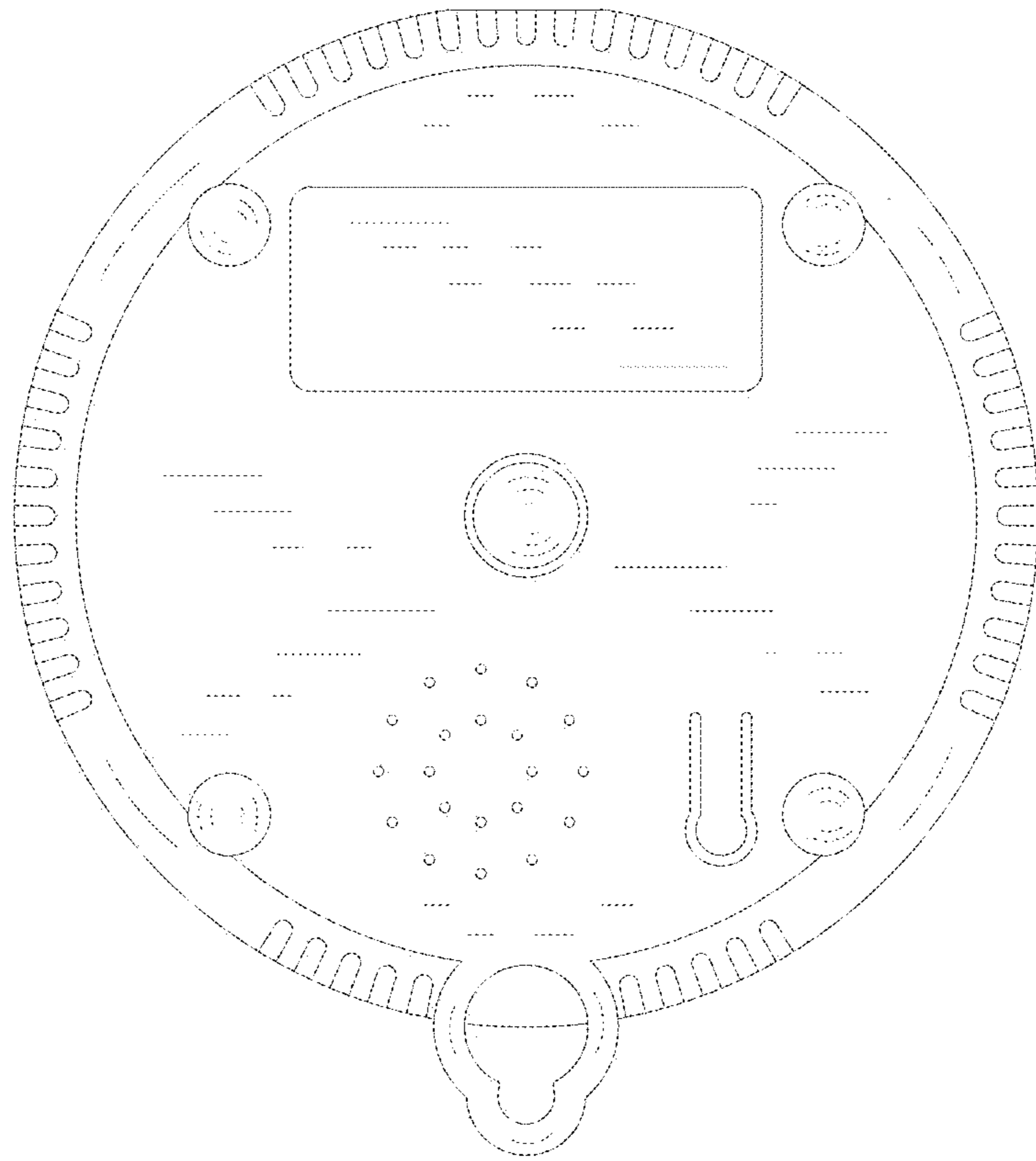


FIG. 8