



US00D962322S

(12) **United States Design Patent**
Kim et al.

(10) **Patent No.:** **US D962,322 S**
(45) **Date of Patent:** **** Aug. 30, 2022**

(54) **CAMERA**

(71) Applicant: **GOOGLE LLC**, Mountain View, CA (US)

(72) Inventors: **Moonchul Kim**, Mountain View, CA (US); **Sung Bai**, San Jose, CA (US); **Maj Isabelle Olsson**, Sunnyvale, CA (US); **Étienne Bérubé**, San Francisco, CA (US)

(73) Assignee: **GOOGLE LLC**, Mountain View, CA (US)

(**) Term: **15 Years**

(21) Appl. No.: **29/756,322**

(22) Filed: **Oct. 27, 2020**

(51) **LOC (13) Cl.** **16-01**

(52) **U.S. Cl.**
USPC **D16/203**

(58) **Field of Classification Search**
USPC D16/200–203, 207–208, 214, 218–219;
D10/46, 61, 62, 65, 70, 71, 104.1, 106.6,
D10/106.7, 109.1, 109.2, 114.8, 121
CPC G03B 17/00; G03B 17/02; G03B 17/56;
G03B 2217/00; H04N 5/2251; H04N
5/2252; H04N 5/2254

See application file for complete search history.

(56) **References Cited**

U.S. PATENT DOCUMENTS

D394,274 S *	5/1998	Suzuki	D16/202
D838,304 S *	1/2019	Mittleman	D16/203
D842,357 S *	3/2019	Maiwald	D16/203
D843,431 S *	3/2019	Jacob	D16/203
D845,373 S *	4/2019	Mittleman	D16/202
D858,604 S *	9/2019	Clement	D16/203
D924,301 S *	7/2021	Tseng	D16/203
2020/0244845 A1 *	7/2020	Rukes	G03B 17/55

FOREIGN PATENT DOCUMENTS

CN	305913418	*	7/2020
CN	306825679	*	9/2021

OTHER PUBLICATIONS

“Nooie Outdoor Security Camera, 1080P Night Vision Surveillance Cameras, 2.4G WiFi, IP66 Weatherproof, 2-Way Audio, Motion Detection, Activity Alert, Deterrent Alarm—Works with Alexa” from Amazon.com, first available Jul. 25, 2019 from the internet <<https://www.amazon.com/dp/B07VNQVL37/>> (Year: 2019).*

“Nest Cam (Battery)—Indoor and Outdoor Wireless Smart Home Security Camera” from homedepot.com, first retrieved on May 4, 2022 from the internet <<https://www.homedepot.com/p/Google-Nest-Cam-Battery-Indoor-and-Outdoor-Wireless-Smart-Home-Security-Camera-GA01317-US/317816666>> (Year: 2022).*

Australian Office Action, Design Application No. 202114647 dated Dec. 17, 2021, 3 pages.

Australian Office Action, Design Application No. 202115978 dated Dec. 17, 2021, 3 pages.

* cited by examiner

Primary Examiner — Rosemary K Tarcza

Assistant Examiner — Lacey Chey Bowman

(74) *Attorney, Agent, or Firm* — Leason Ellis LLP

(57) **CLAIM**

The ornamental design for a camera, as shown and described.

DESCRIPTION

FIG. 1 is a front perspective view of a camera showing our new design;

FIG. 2 is a front elevational view thereof;

FIG. 3 is a rear elevational view thereof;

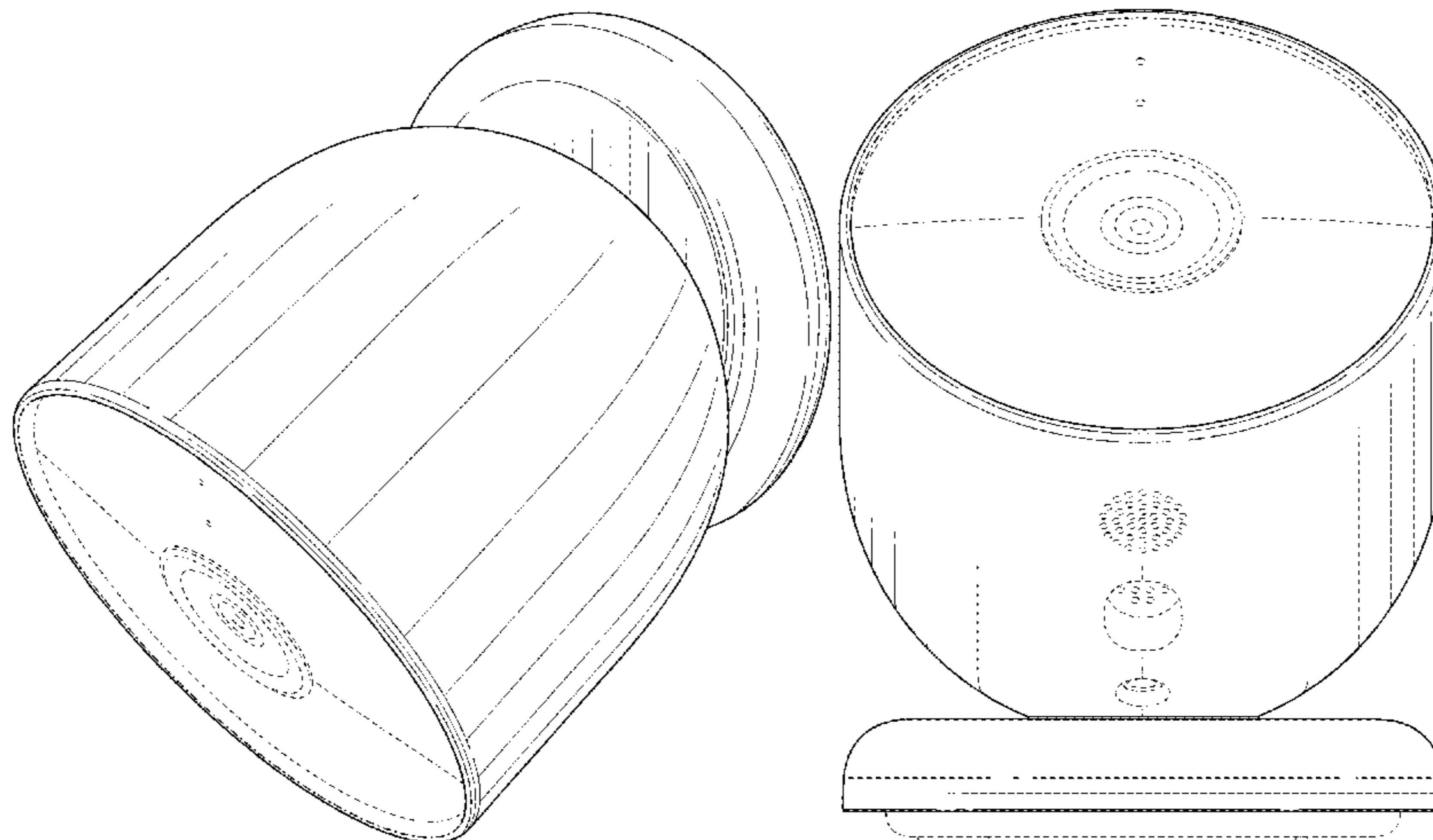
FIG. 4 is a left-side elevational view thereof;

FIG. 5 is a right-side elevational view thereof;

FIG. 6 is a top plan view thereof; and,

FIG. 7 is a bottom plan view thereof.

(Continued)



The broken lines illustrate structure or features that form no part of the claimed design.

1 Claim, 7 Drawing Sheets

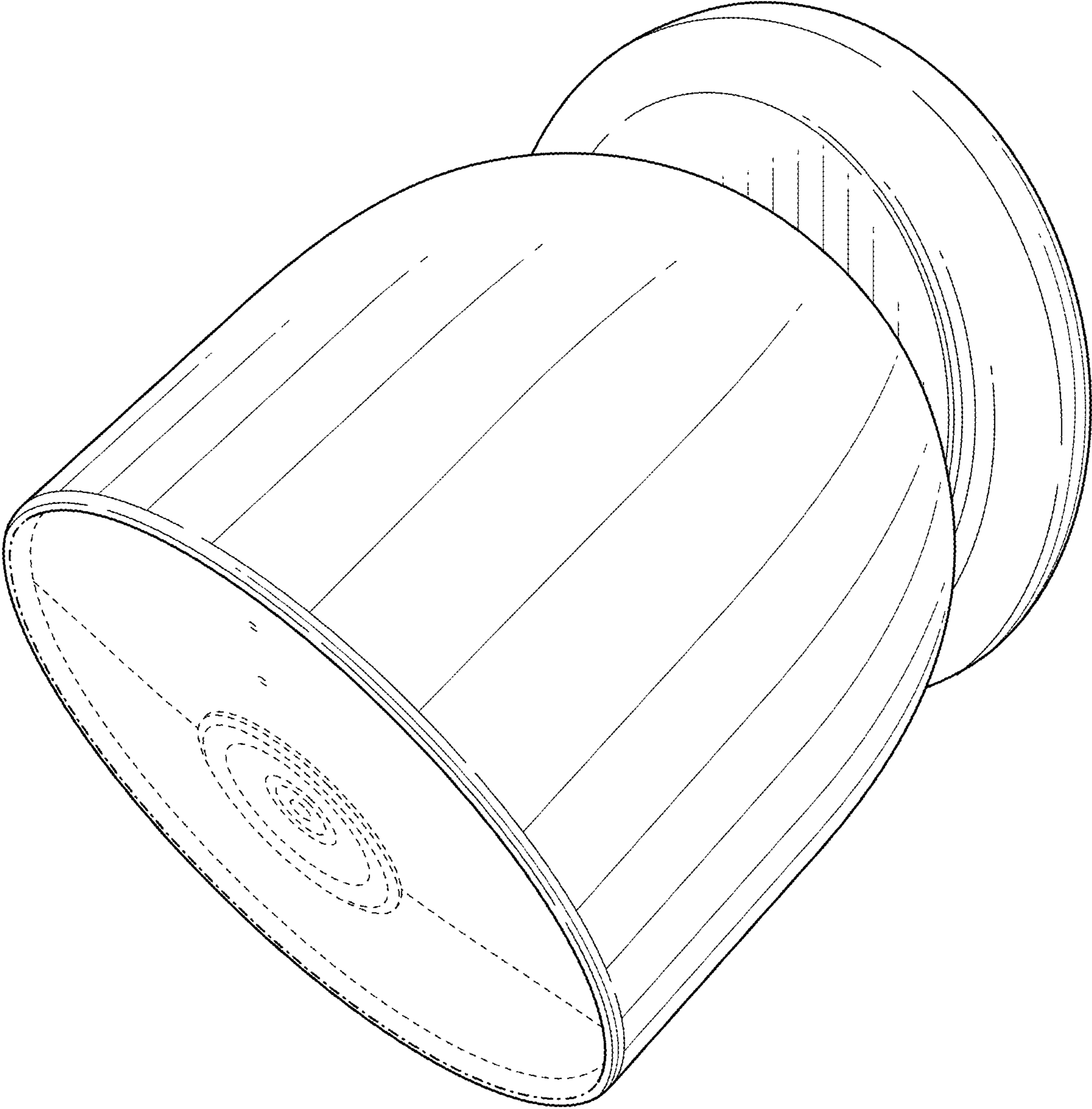


FIG. 1

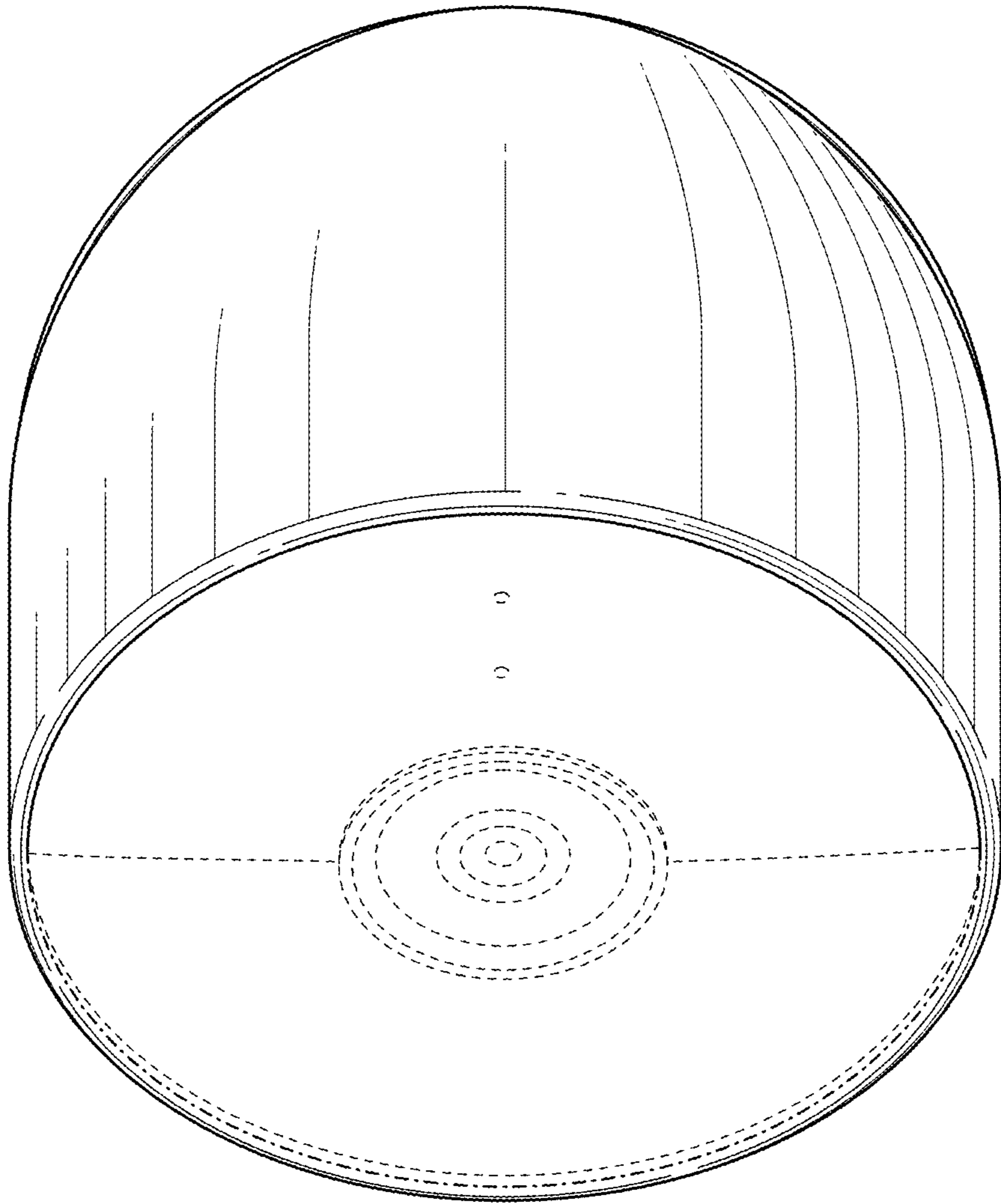


FIG. 2

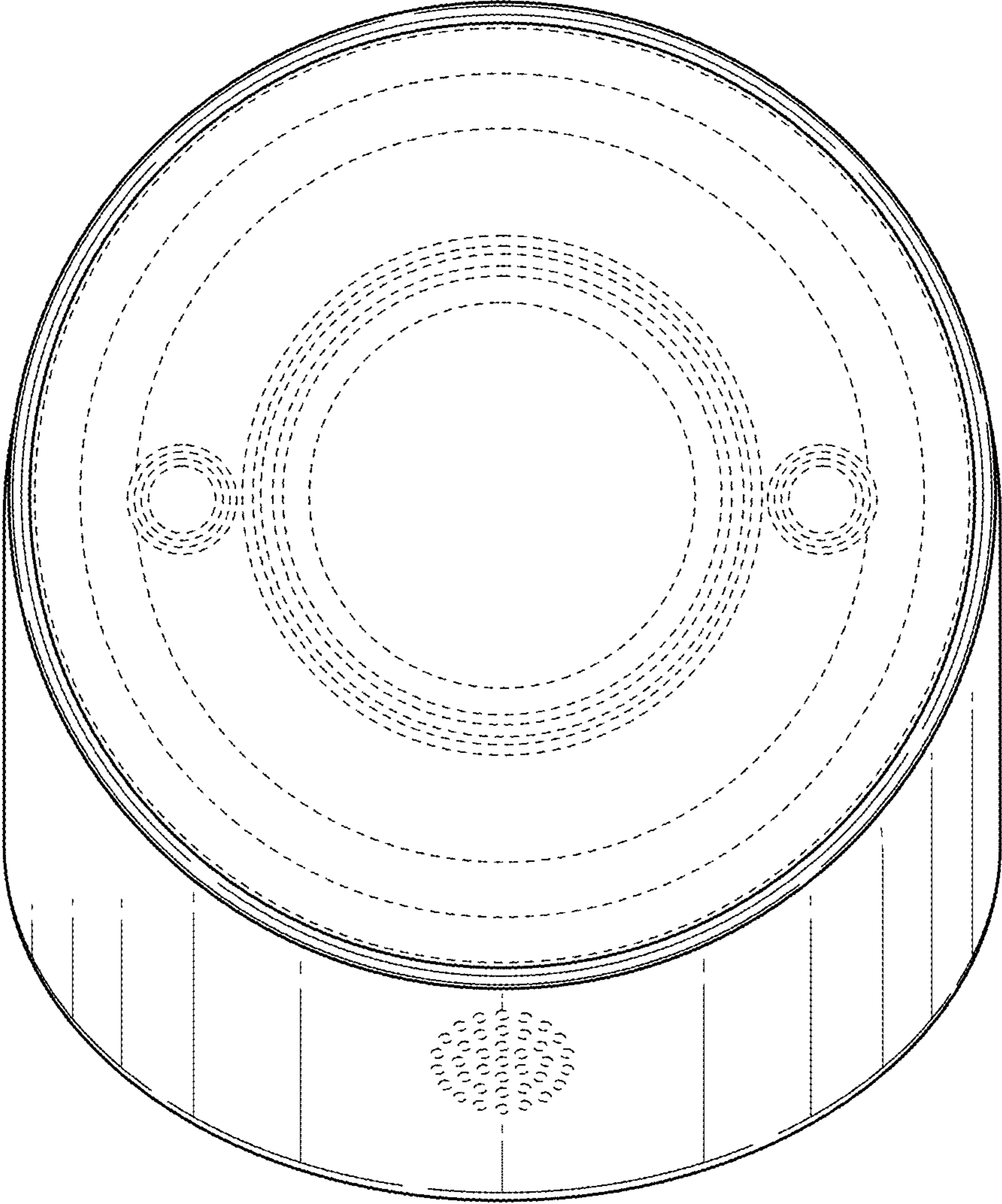


FIG. 3

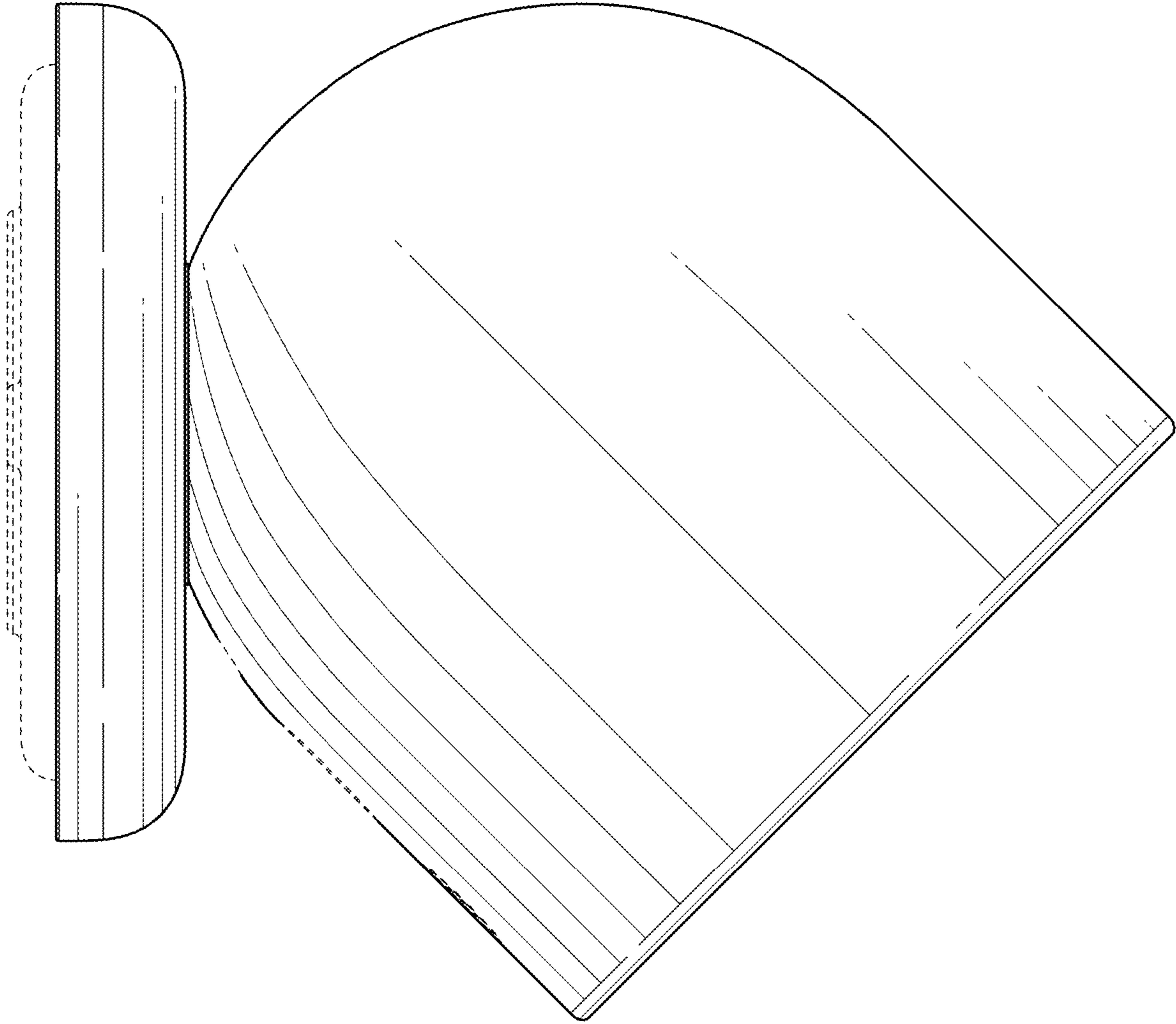


FIG. 4

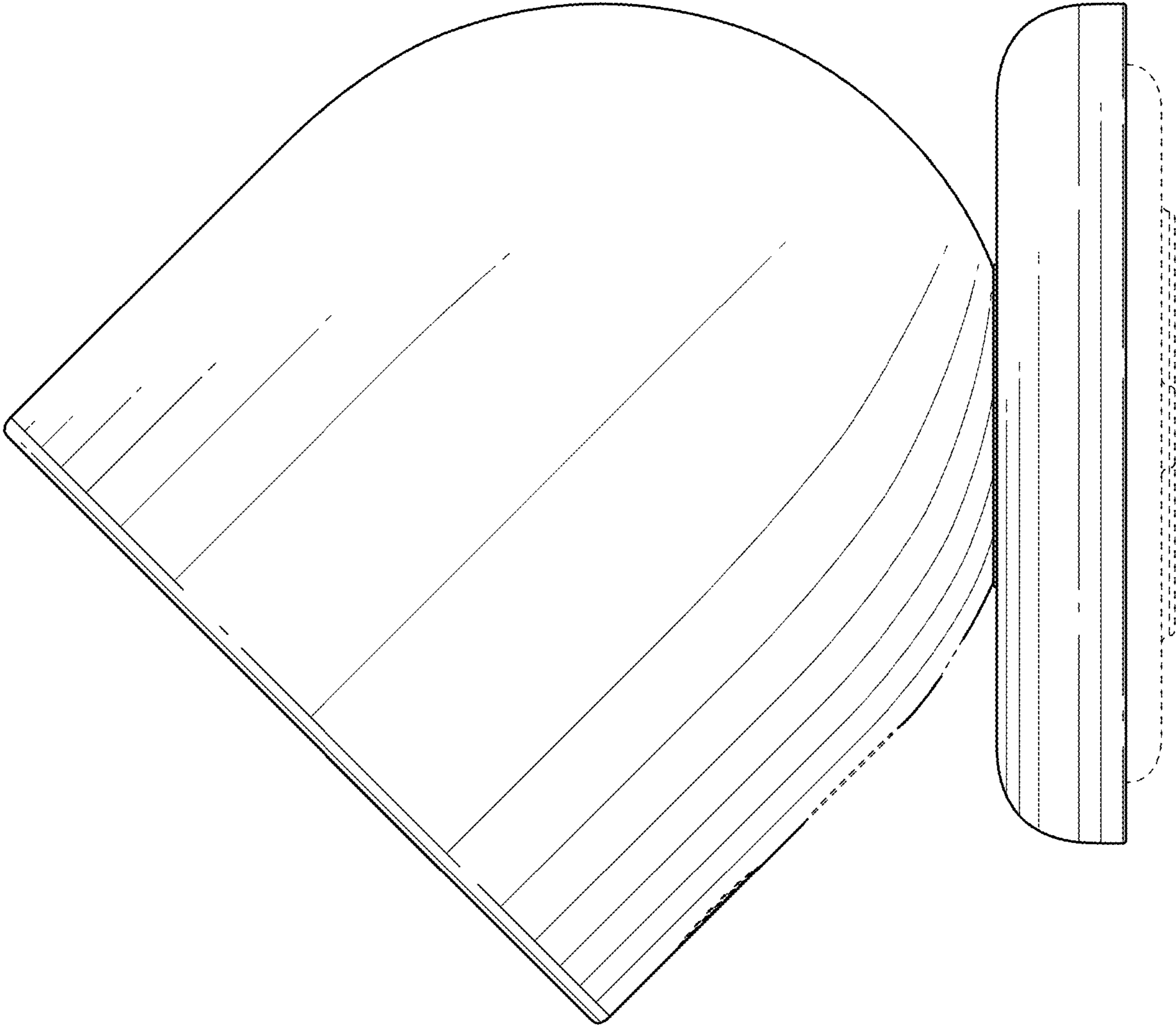


FIG. 5

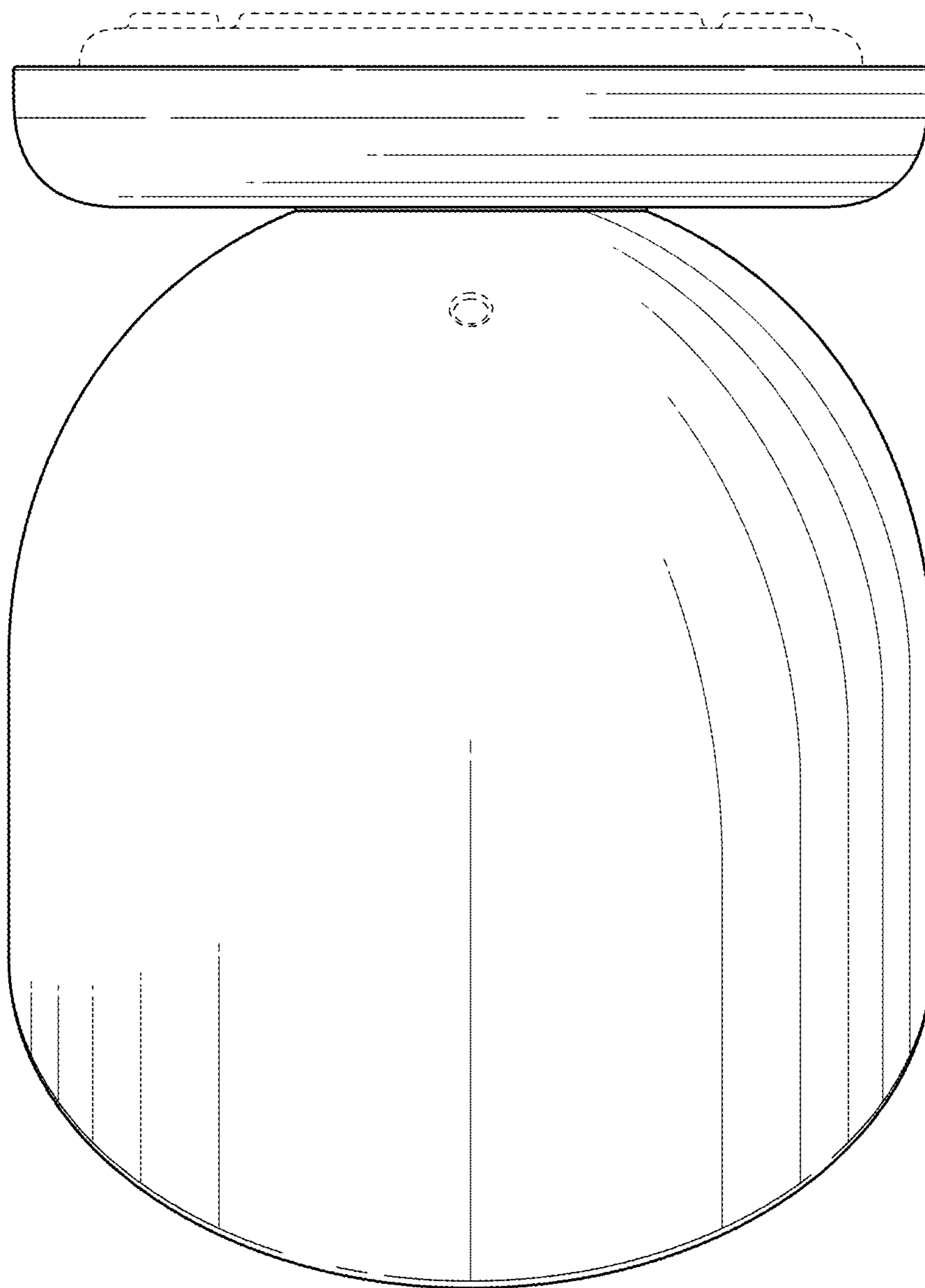


FIG. 6

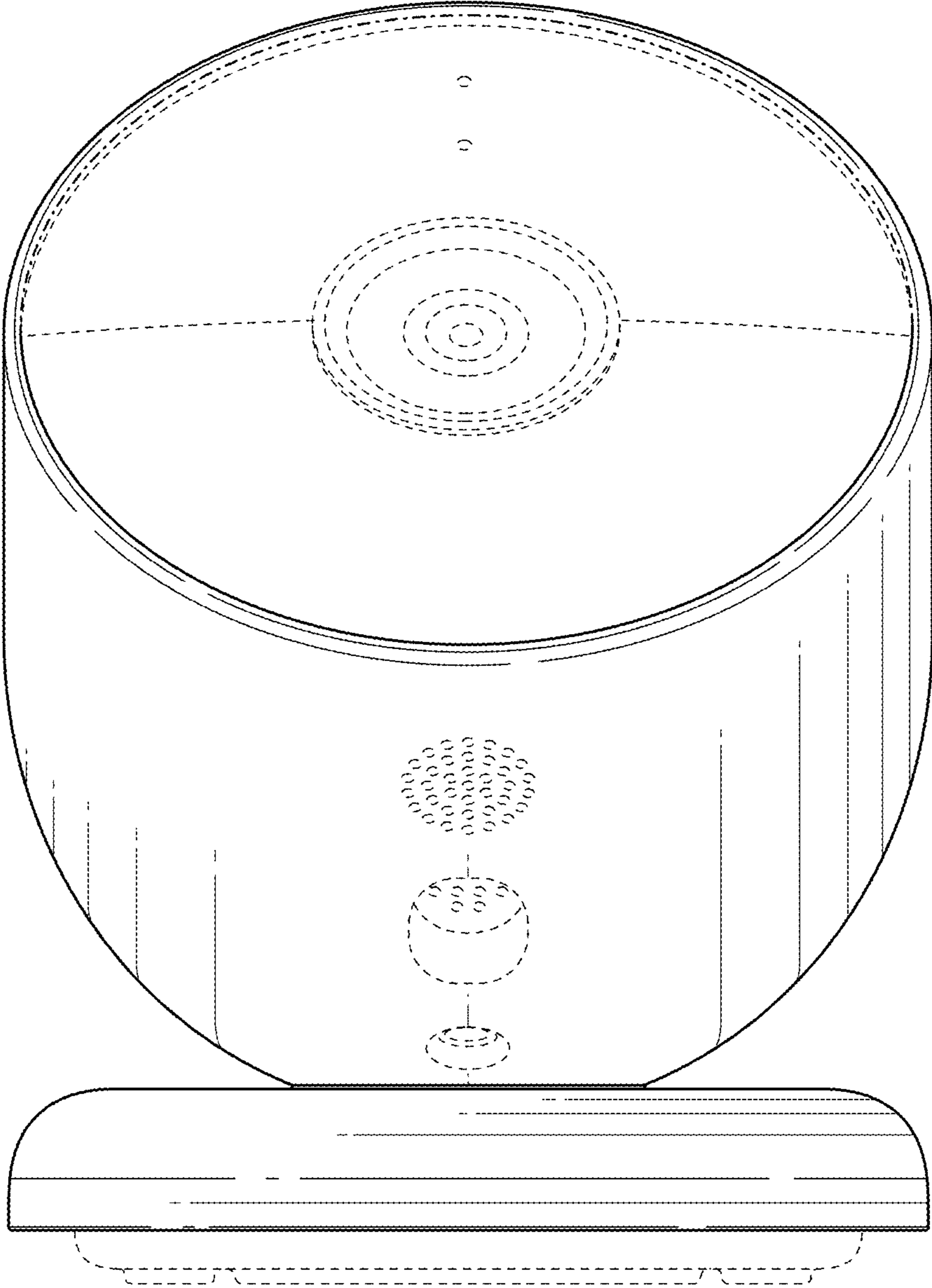


FIG. 7