



US00D962321S

(12) **United States Design Patent**
Jiang

(10) **Patent No.:** **US D962,321 S**

(45) **Date of Patent:** **** Aug. 30, 2022**

(54) **MULTIFUNCTIONAL MICROSCOPE STAND**

D738,415 S 9/2015 Hofmann
D743,463 S 11/2015 Hofmann
D812,664 S 3/2018 Apothéloz

(71) Applicant: **Xiaoli Jiang**, Xinmi (CN)

(72) Inventor: **Xiaoli Jiang**, Xinmi (CN)

(**) Term: **15 Years**

(21) Appl. No.: **29/811,265**

(22) Filed: **Oct. 13, 2021**

(51) **LOC (13) Cl.** **16-06**

(52) **U.S. Cl.**
USPC **D16/131**

(58) **Field of Classification Search**
USPC D16/131, 134, 135, 137, 219, 235, 237
CPC .. G02B 21/00; G02B 21/004; G02B 21/0008;
G02B 21/008; G02B 21/0088; G02B
21/22; G02B 21/24

See application file for complete search history.

(56) **References Cited**

U.S. PATENT DOCUMENTS

D179,280 S *	11/1956	Boughton	D16/221
3,637,283 A *	1/1972	Tasaki	G02B 21/22 359/801
3,776,614 A *	12/1973	Kloots	G02B 7/001 359/384
3,877,779 A *	4/1975	Pierse	G02B 21/20 359/374
D355,430 S *	2/1995	Hofmann-Igl	D16/131
D429,265 S	8/2000	Hölbl		
D444,159 S	6/2001	Hoelbl		
D507,006 S	7/2005	Apotheloz		
6,995,904 B2 *	2/2006	Tonooka	G02B 21/22 359/388
D516,595 S	3/2006	Apothéloz		
D518,841 S	4/2006	Apothéloz		
D546,357 S	7/2007	Apothéloz		
D556,800 S *	12/2007	Yanagisawa	D16/131
D664,174 S	7/2012	Tanaka		

OTHER PUBLICATIONS

GXM Universal Multi-Function Microscope Pillar Stand, <https://www.gtvision.co.uk/GXM-Universal-Multi-Function-Pillar-Stand-GT1108>, retrieved Jun. 30, 2022 (Year: 2022).*

* cited by examiner

Primary Examiner — Richard Kearney

Assistant Examiner — Benjamin M Weeks

(74) *Attorney, Agent, or Firm* — Rumit Ranjit Kanakia

(57) **CLAIM**

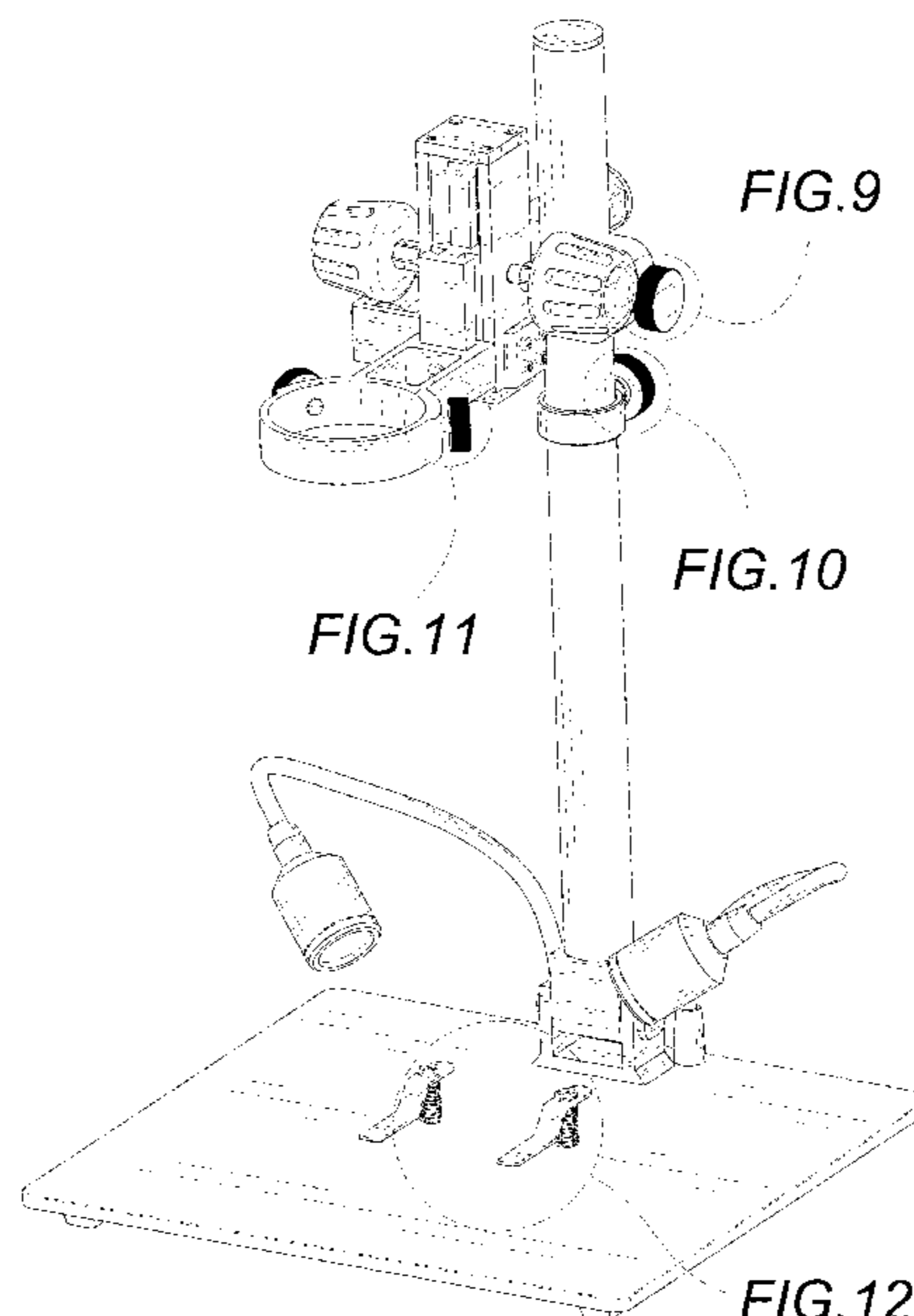
The ornamental design for a multifunctional microscope stand, as shown and described.

DESCRIPTION

FIG. 1 is a perspective view of a multifunctional microscope stand showing my new design;
 FIG. 2 is another perspective view thereof;
 FIG. 3 is a front elevational view thereof;
 FIG. 4 is a rear elevational view thereof;
 FIG. 5 is a left side view thereof;
 FIG. 6 is a right side view thereof;
 FIG. 7 is a top plan view thereof;
 FIG. 8 is a bottom plan view thereof;
 FIG. 9 is a partial enlarged view of FIG. 1;
 FIG. 10 is a partial enlarged view of FIG. 1;
 FIG. 11 is a partial enlarged view of FIG. 1;
 FIG. 12 is a partial enlarged view of FIG. 1;
 FIG. 13 is a partial enlarged view of FIG. 2; and,
 FIG. 14 is a partial enlarged view of FIG. 2.

The broken lines in the figures are for the purposes of illustrating portions of the multifunctional microscope stand, which form no part of the claimed design.

1 Claim, 14 Drawing Sheets



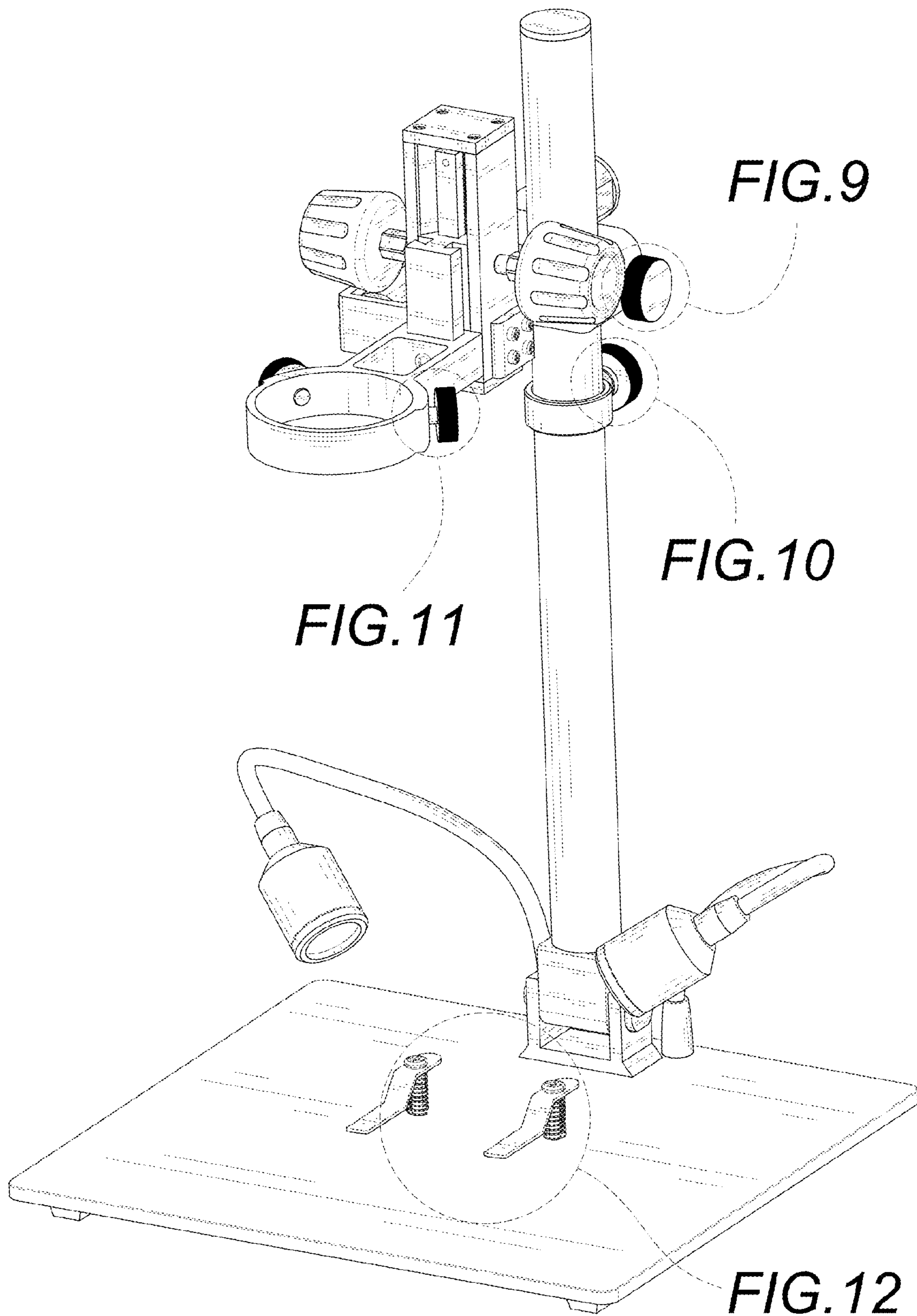


FIG. 11

FIG. 9

FIG. 10

FIG. 12

FIG. 1

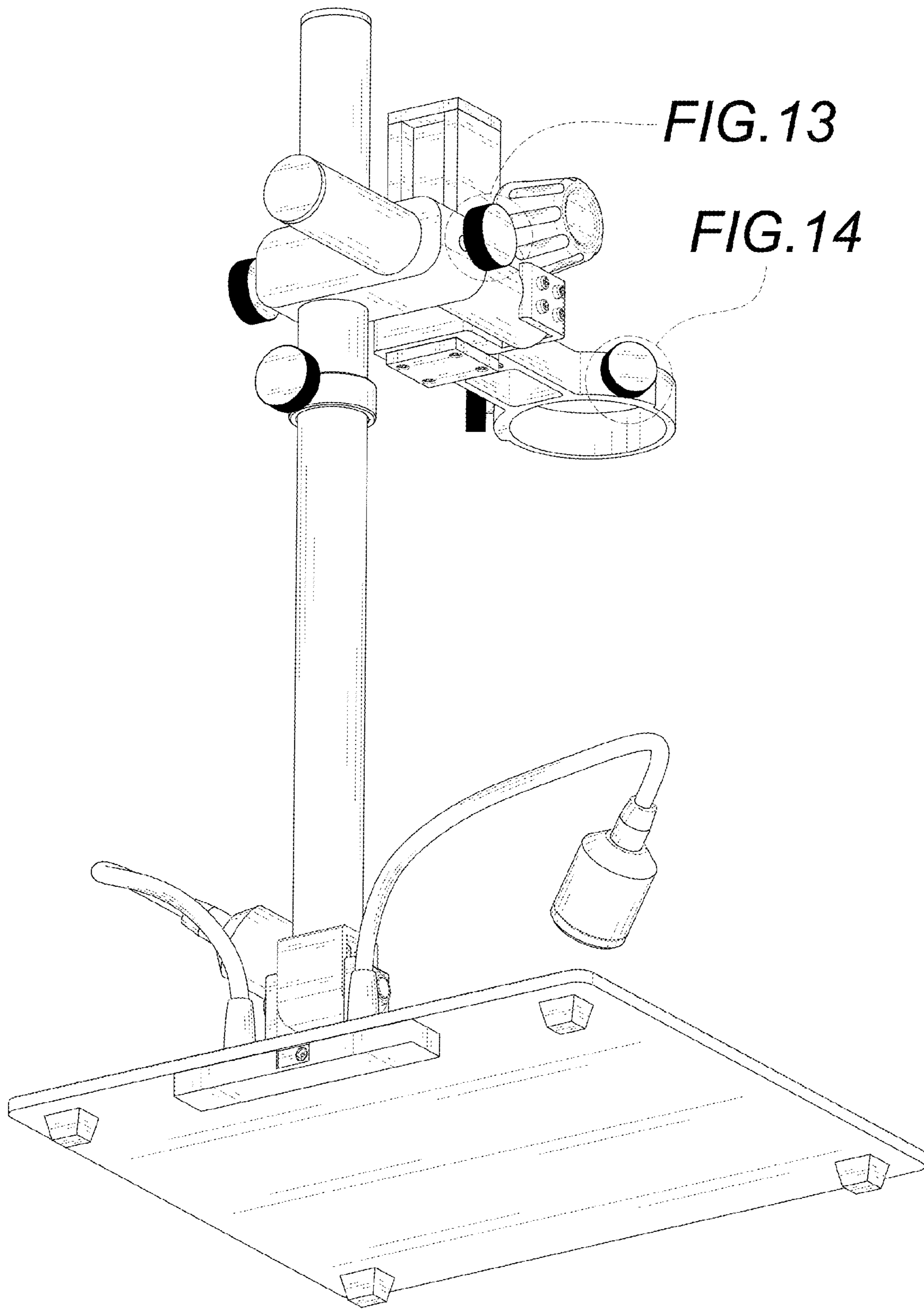


FIG. 2

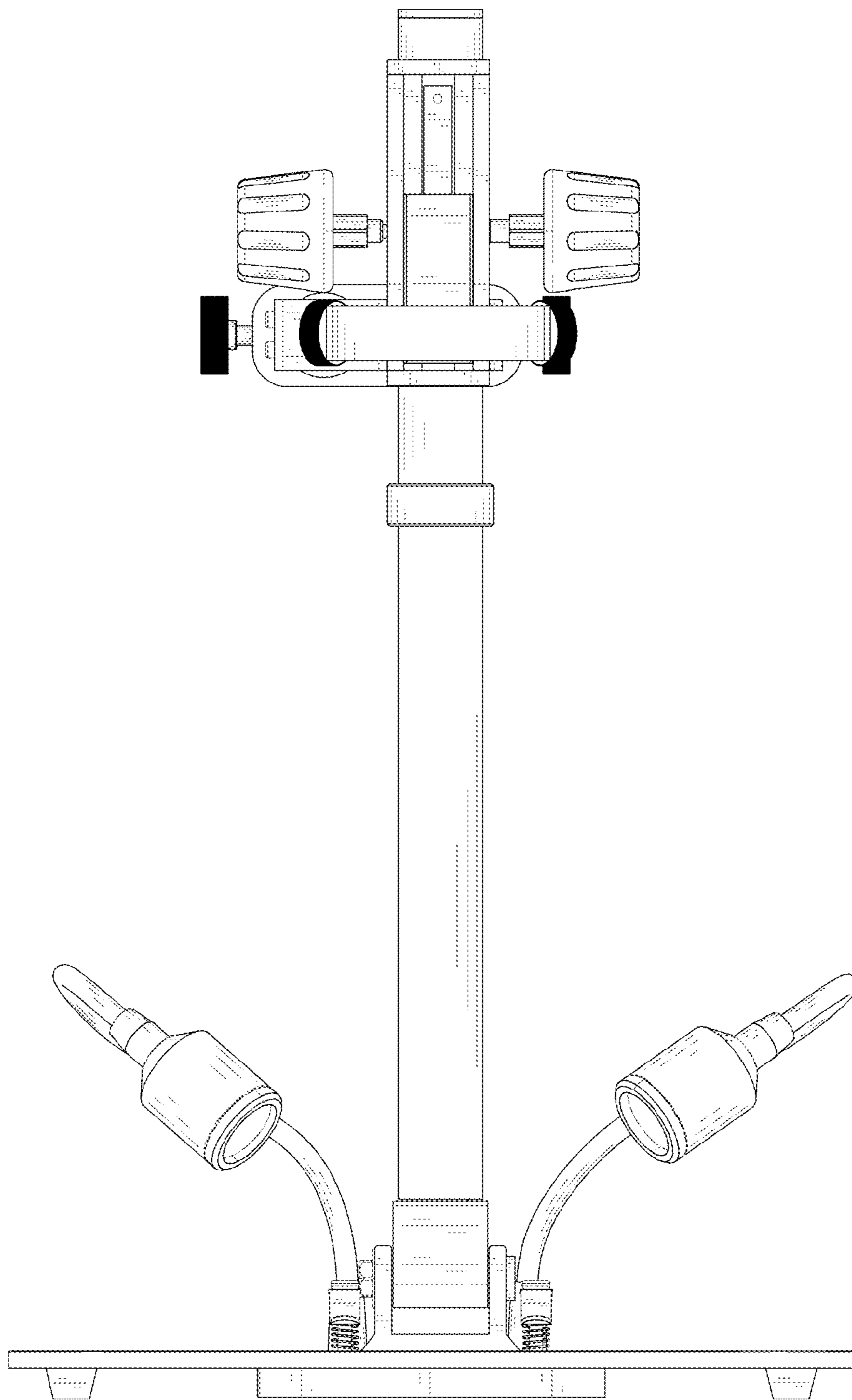


FIG. 3

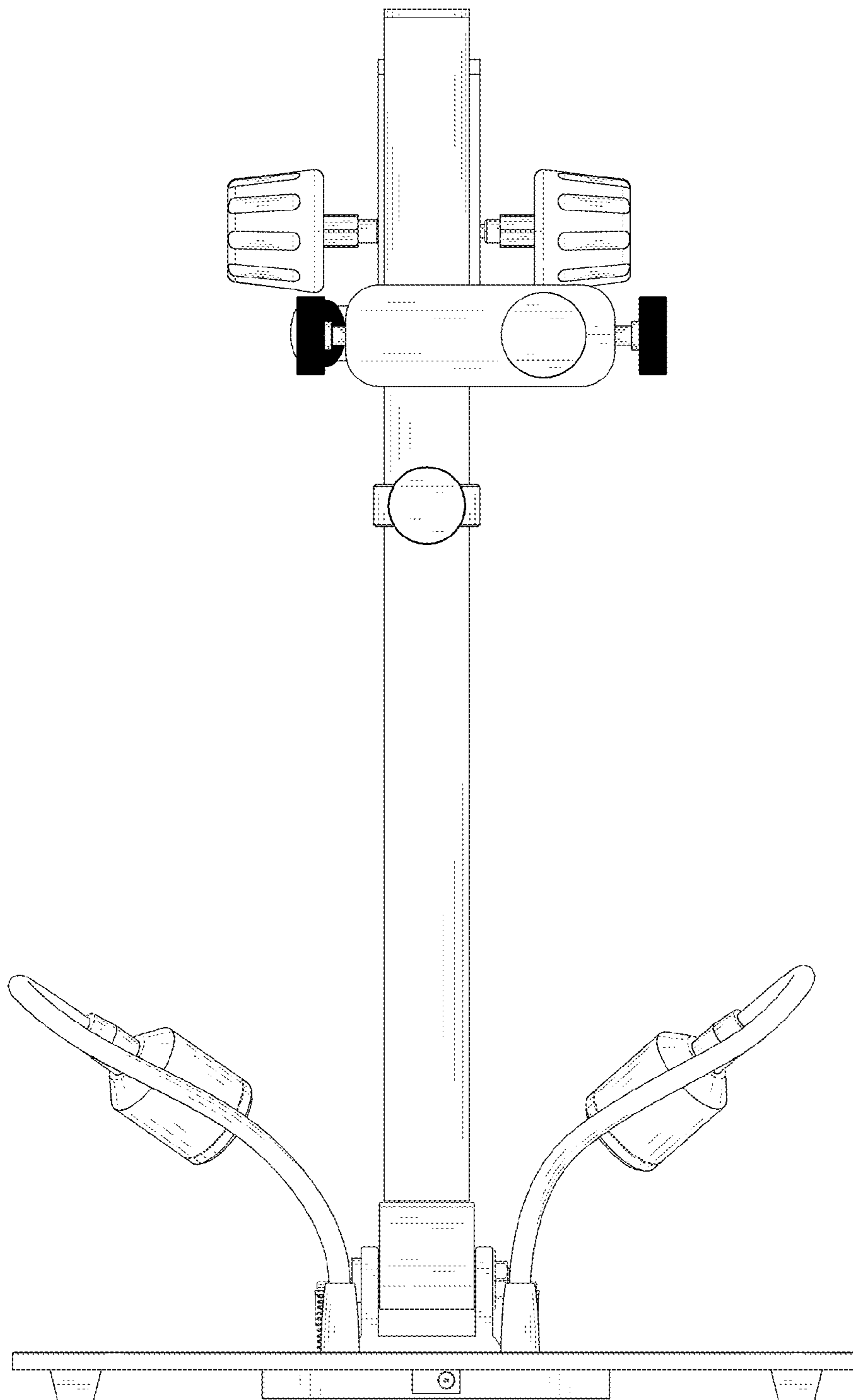


FIG. 4

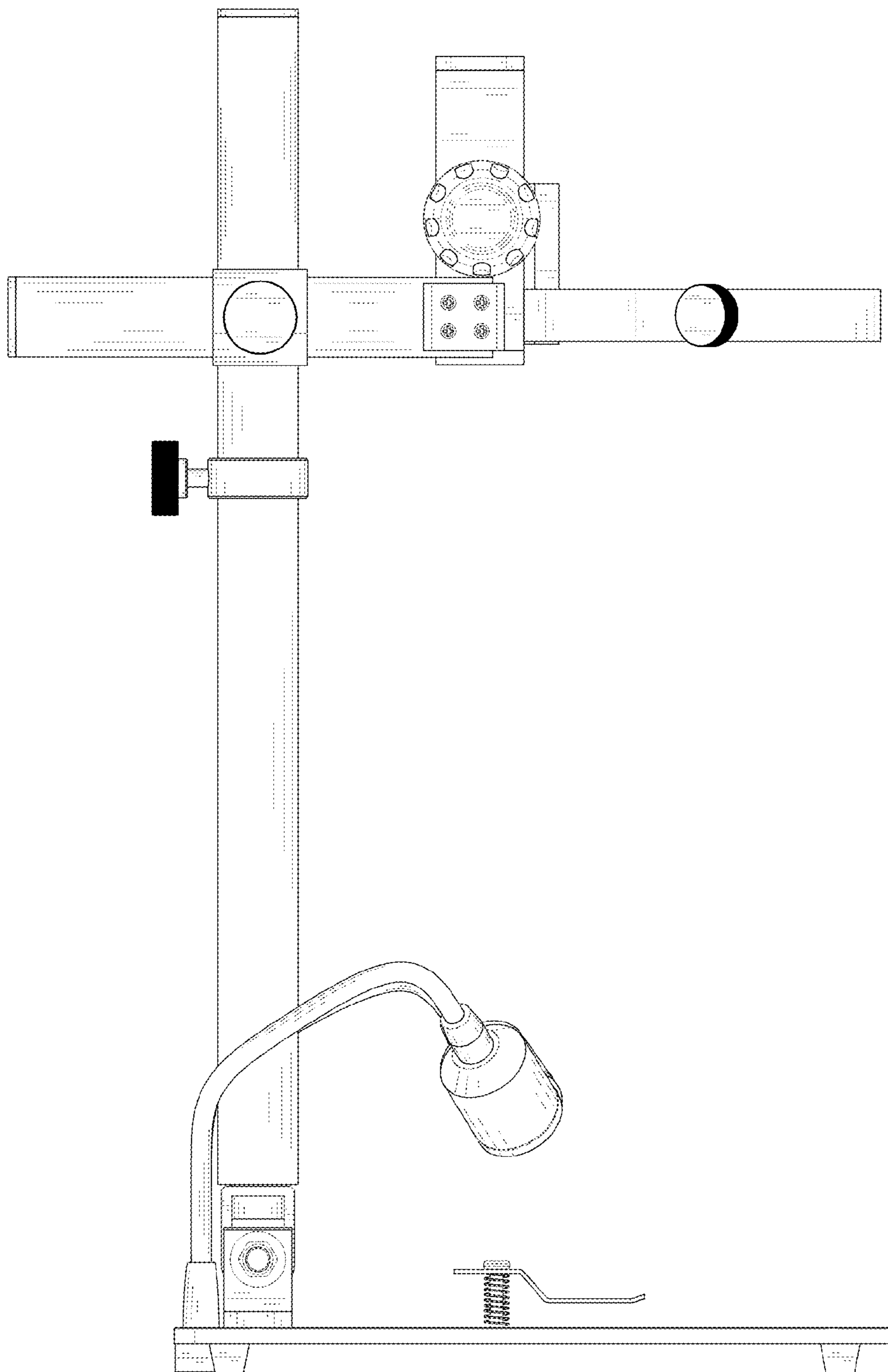


FIG. 5

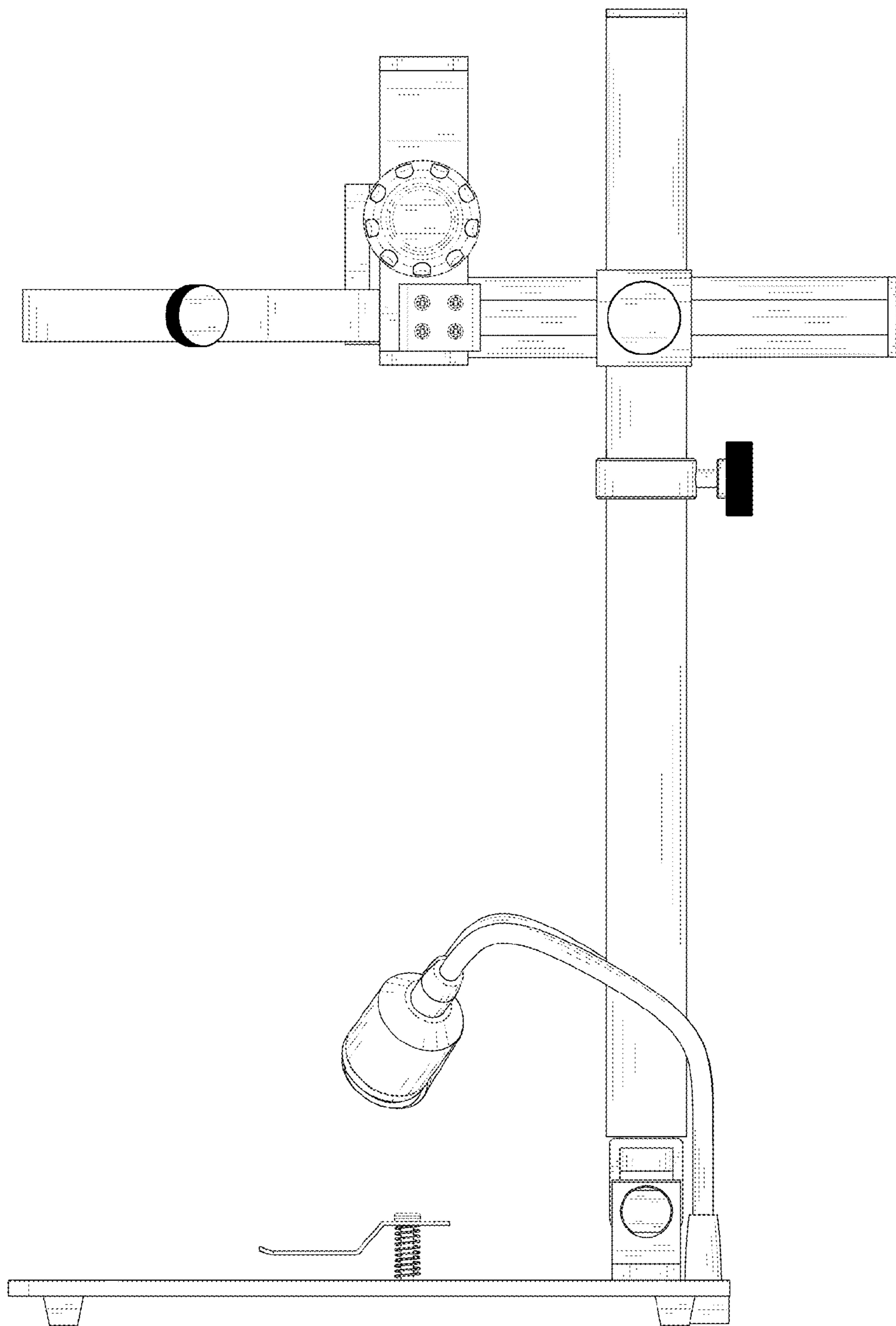


FIG. 6

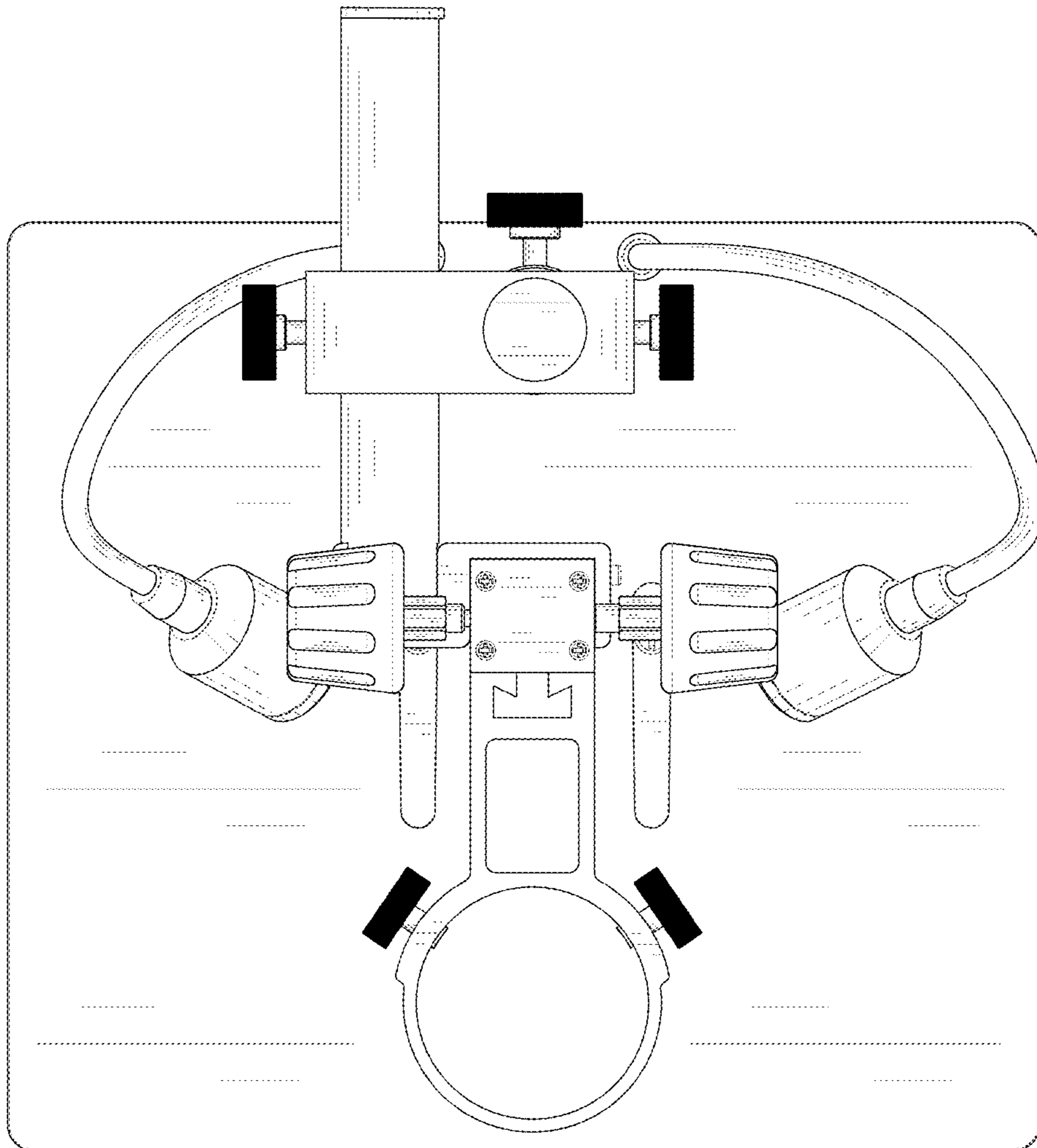


FIG. 7

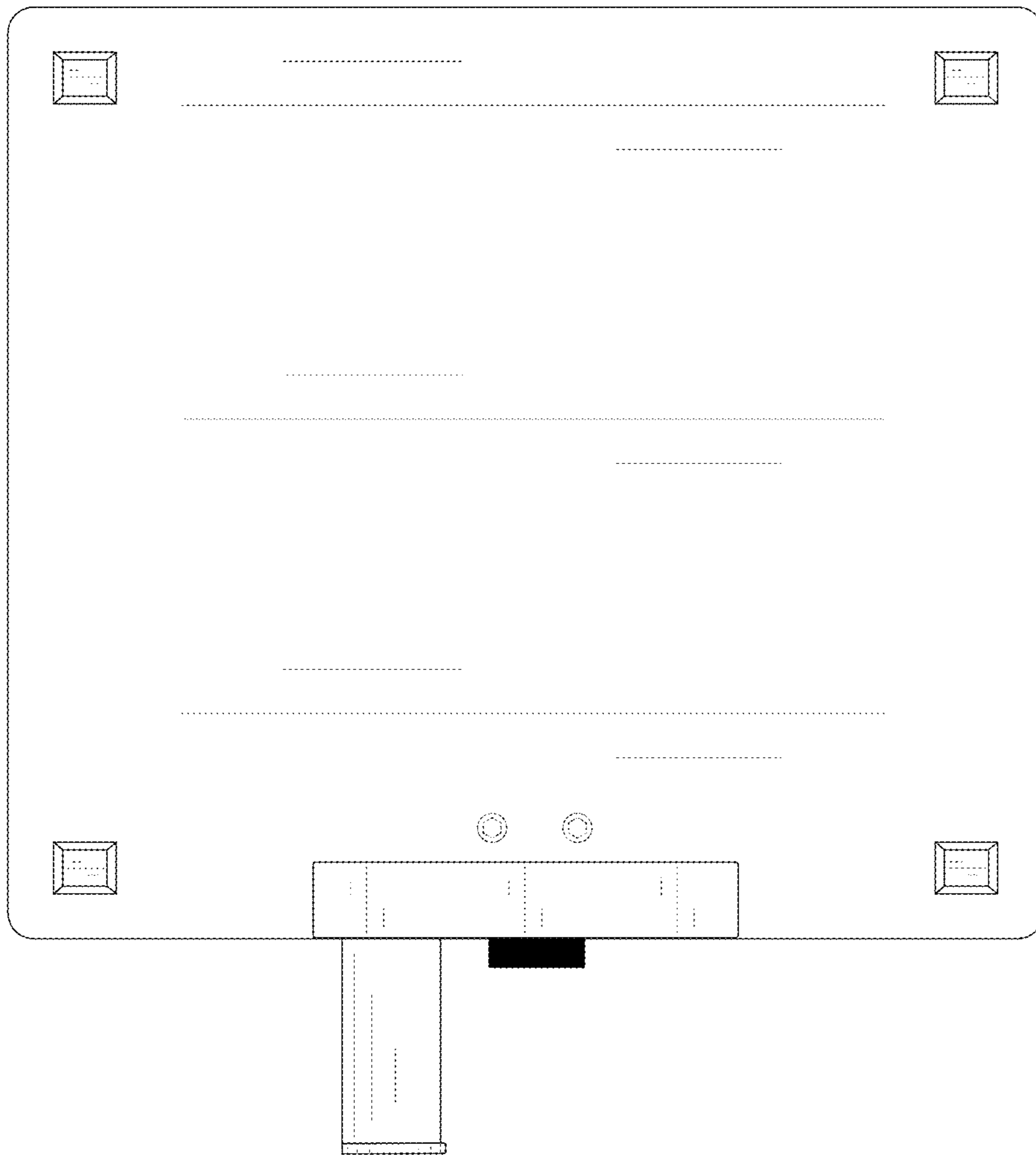


FIG. 8



FIG. 9

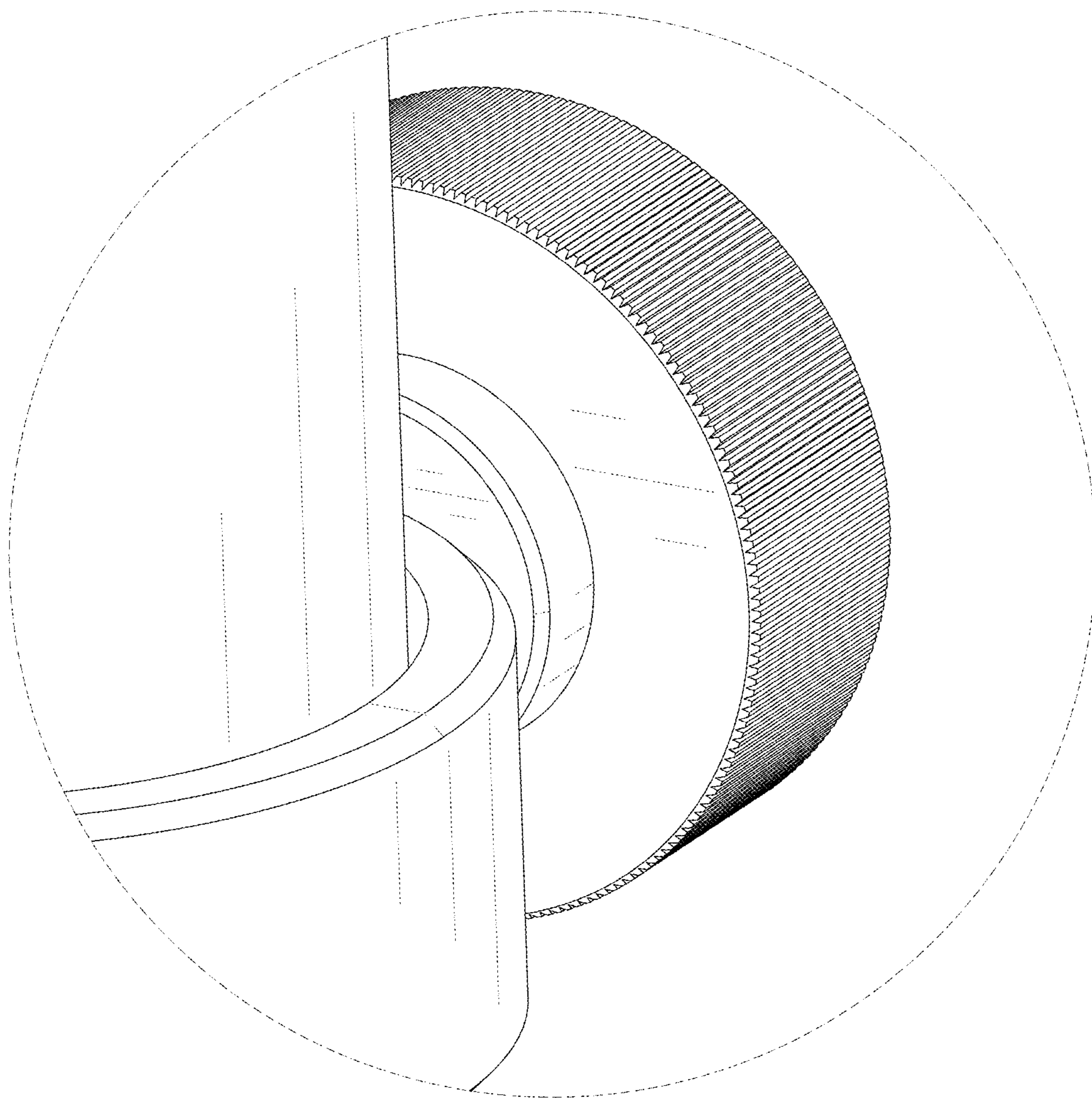


FIG. 10

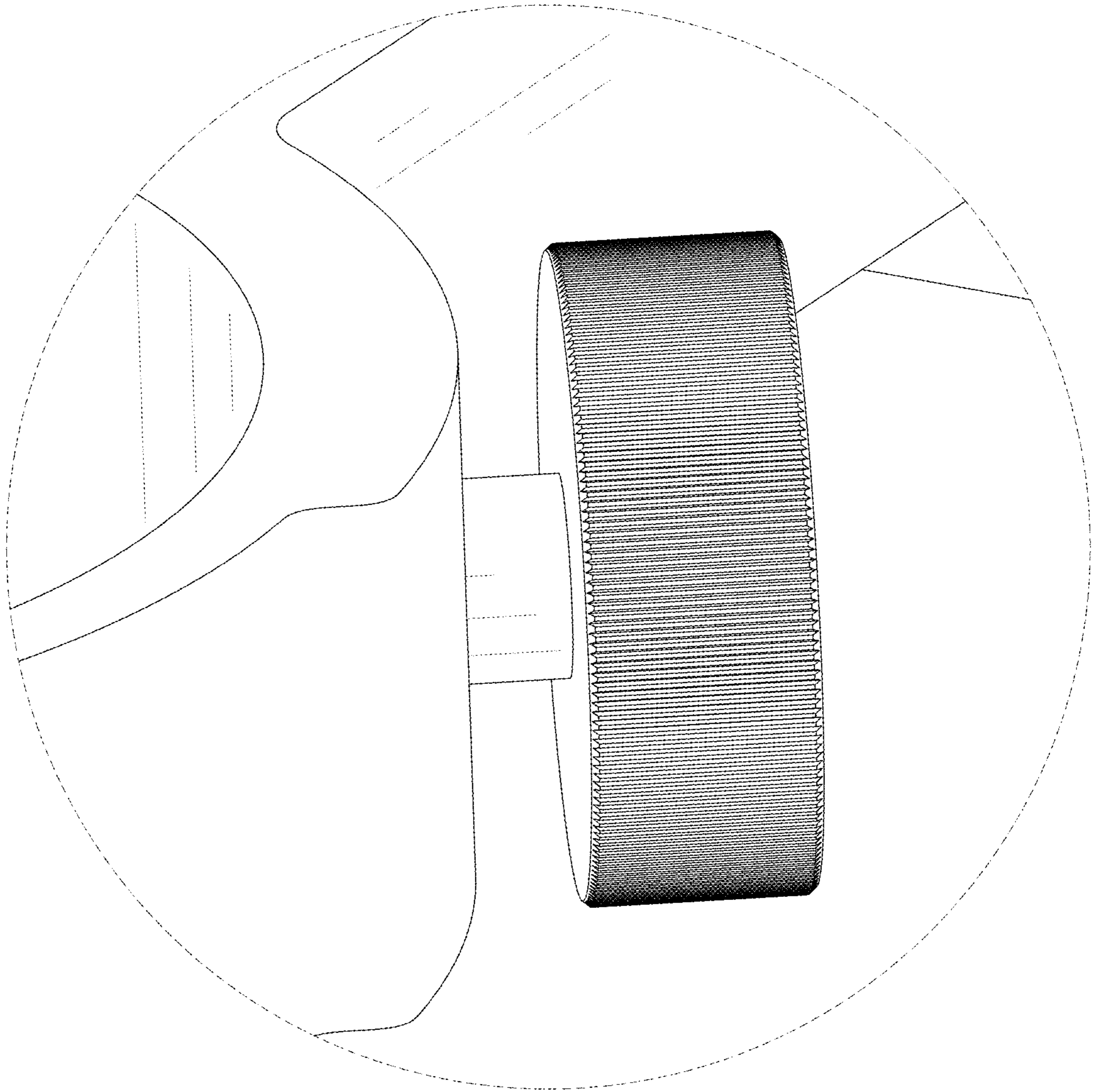


FIG. 11

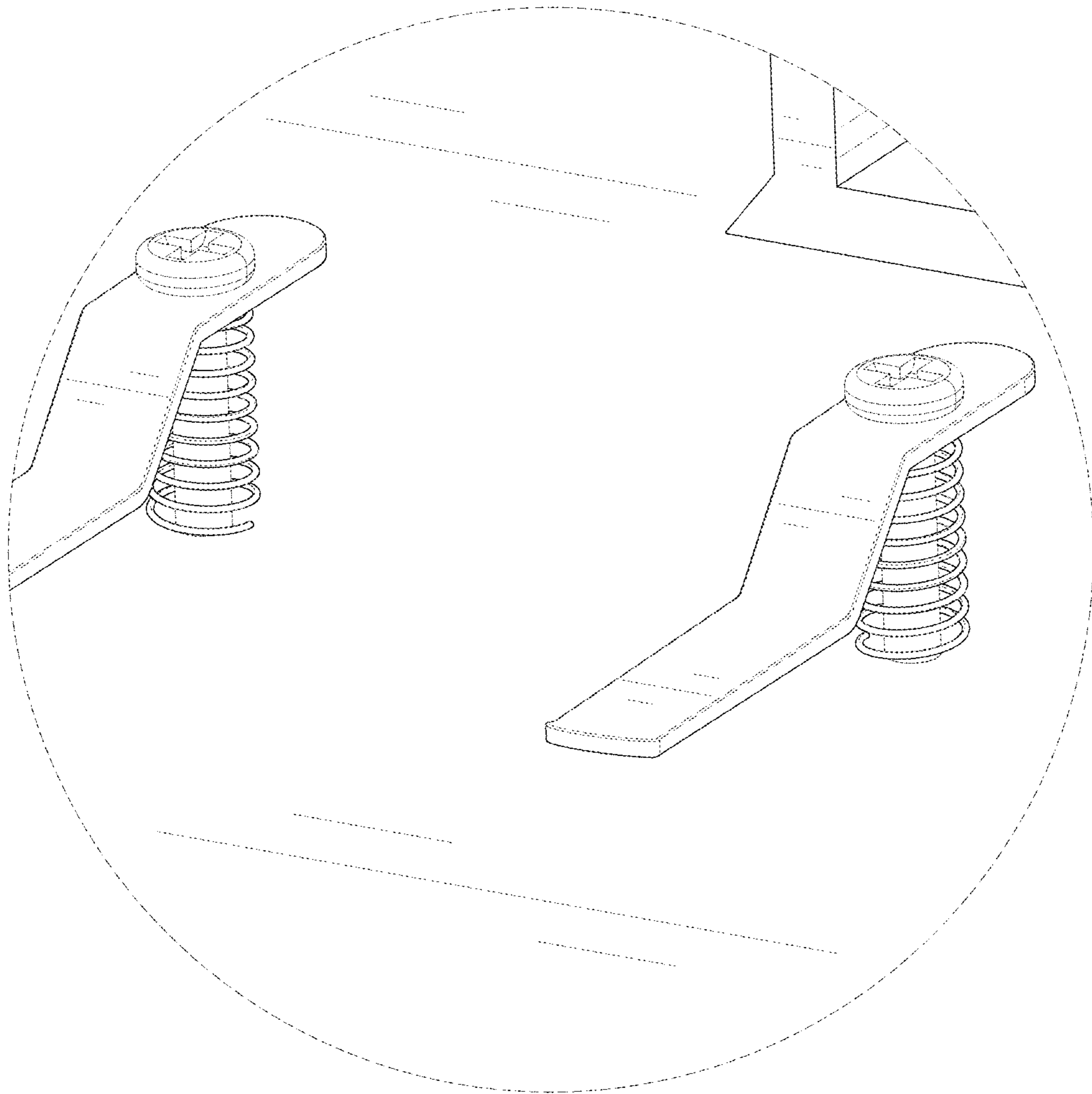


FIG. 12

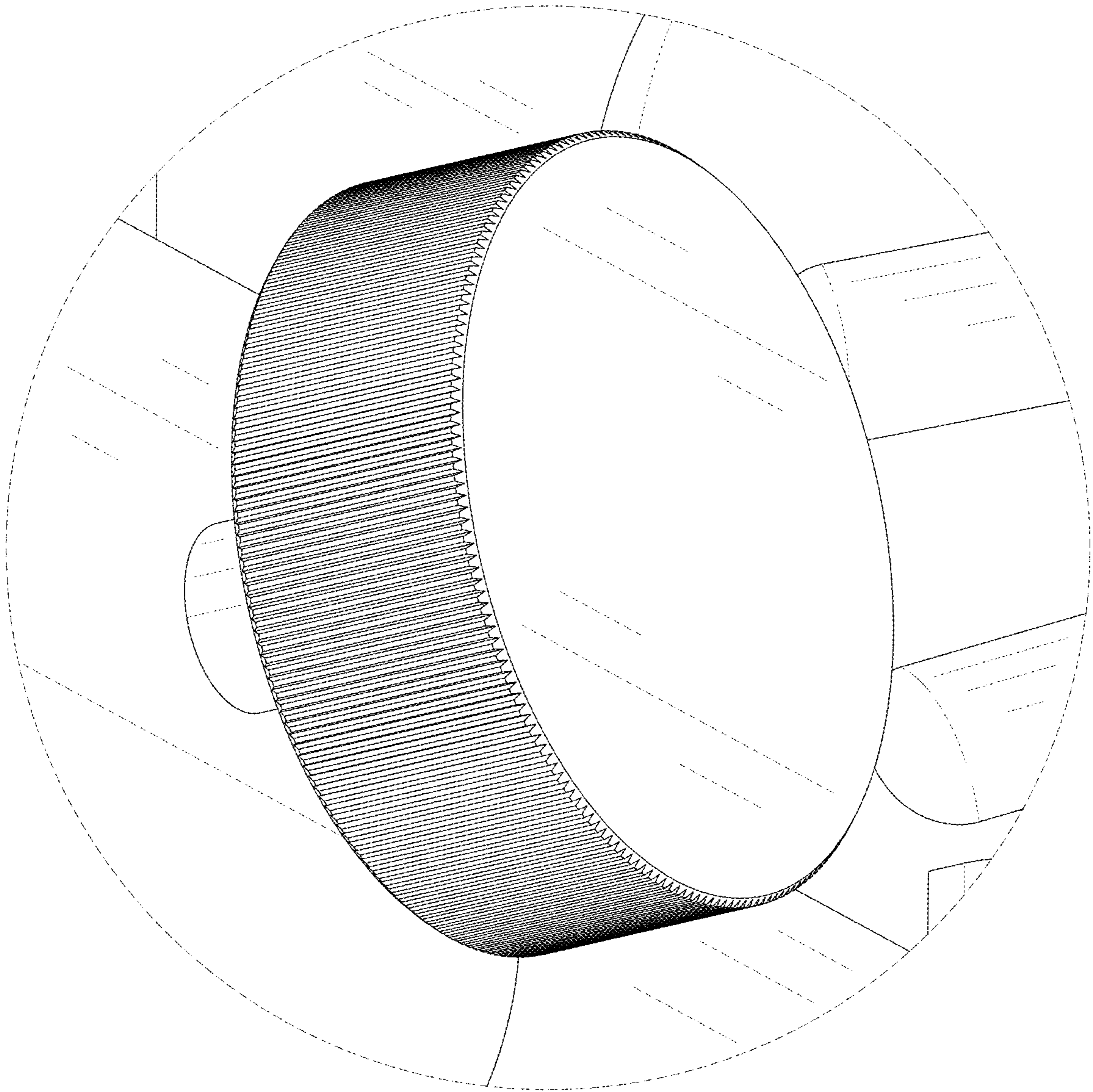


FIG. 13

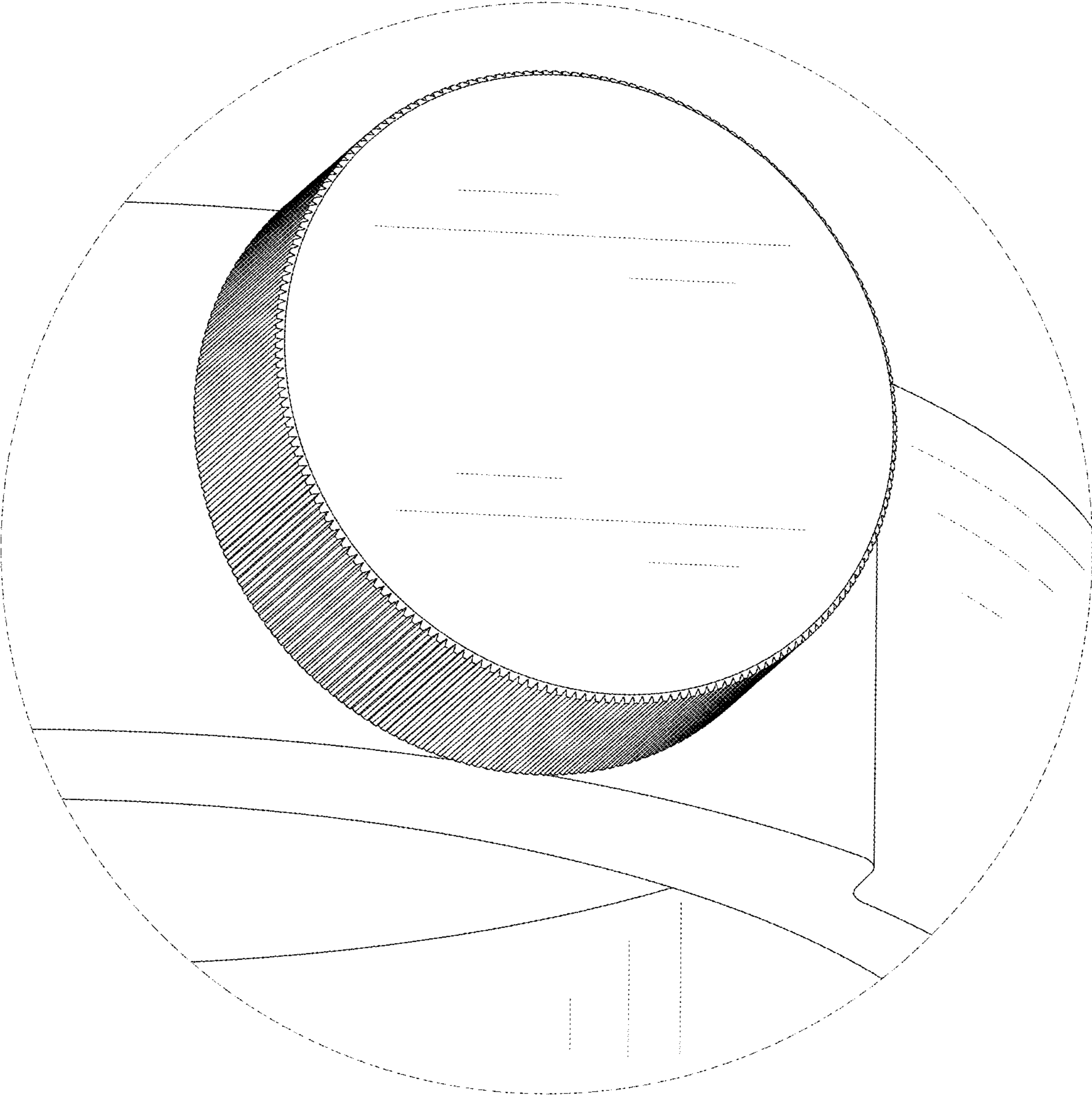


FIG. 14