



US00D962320S

(12) **United States Design Patent**
Blommé

(10) **Patent No.:** **US D962,320 S**

(45) **Date of Patent:** **** Aug. 30, 2022**

(54) **HOLOGRAM PROJECTION SURROUND**

D830,440 S * 10/2018 Mathieu D16/134
D846,619 S * 4/2019 Hu D16/134
10,969,195 B1 * 4/2021 Clark F41G 1/32

(71) Applicant: **Polestar Performance AB**, Gothenburg (SE)

(72) Inventor: **Conny Ewe Blommé**, Ljungskile (SE)

(73) Assignee: **Polestar Performance AB**, Gothenburg (SE)

(**) Term: **15 Years**

(21) Appl. No.: **29/725,403**

(22) Filed: **Feb. 25, 2020**

(30) **Foreign Application Priority Data**

Feb. 14, 2020 (EM) 007694435

(51) **LOC (13) Cl.** **16-99**

(52) **U.S. Cl.**
USPC **D16/130**

(58) **Field of Classification Search**
USPC D16/19, 38, 48, 100, 101, 130, 131, 132,
D16/133, 134, 135, 310, 140
CPC G01C 3/00; G01C 3/02; G01C 3/04
See application file for complete search history.

(56) **References Cited**

U.S. PATENT DOCUMENTS

D138,560 S * 8/1944 Morehead D6/309
D145,638 S * 9/1946 Rosenberg D16/135
3,751,138 A * 8/1973 Humphrey G02B 3/04
359/669
6,620,486 B2 * 9/2003 Kanematsu B29C 45/1703
359/642
D511,787 S * 11/2005 Galli D16/134
D611,080 S * 3/2010 Chen D16/101
D623,212 S * 9/2010 Chen D16/135
D631,184 S * 1/2011 Feng D26/120
D667,859 S * 9/2012 Chen D16/135

OTHER PUBLICATIONS

Holographic Projection display case (available online) Retrieved from the internet Apr. 20, 2022 from URL: <https://mindstec.com/in/category-series/holographic-projection/>.*

* cited by examiner

Primary Examiner — Richard Kearney

Assistant Examiner — Benjamin M Weeks

(74) *Attorney, Agent, or Firm* — Patterson Thuent Pedersen, P.A.

(57) **CLAIM**

I claim the ornamental design for a hologram projection surround, as shown and described.

DESCRIPTION

FIG. 1 is a front perspective view of a hologram projection surround.

FIG. 2 is a front elevational view of the hologram projection surround depicted in FIG. 1.

FIG. 3 is a rear elevational view of the hologram projection surround depicted in FIG. 1.

FIG. 4 is a right side elevational view of the hologram projection surround depicted in FIG. 1.

FIG. 5 is a left side elevational view of the hologram projection surround depicted in FIG. 1.

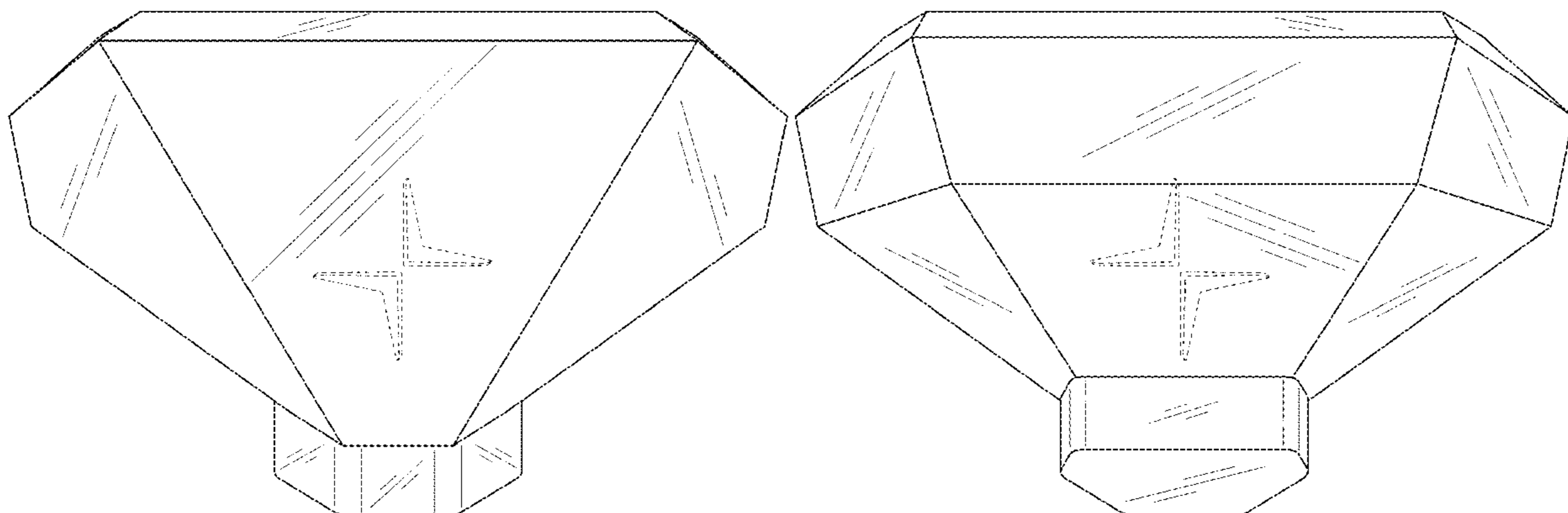
FIG. 6 is a top plan view of the hologram projection surround depicted in FIG. 1.

FIG. 7 is a bottom plan view of the hologram projection surround depicted in FIG. 1; and,

FIG. 8 is a rear perspective view of the hologram projection surround depicted in FIG. 1.

The broken lines in the drawings illustrate portions of the hologram projection surround that form no part of the claimed design.

1 Claim, 8 Drawing Sheets



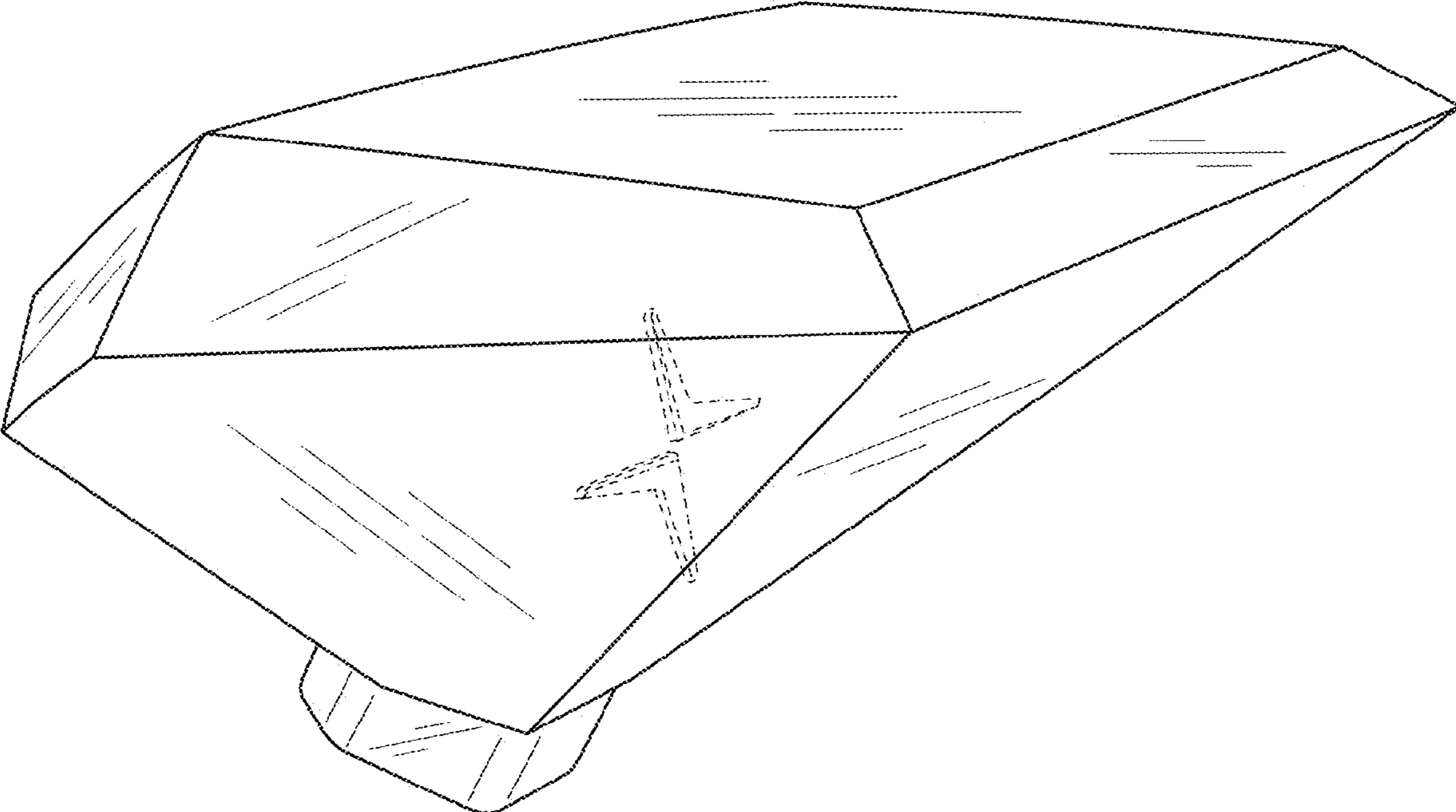


FIG. 1

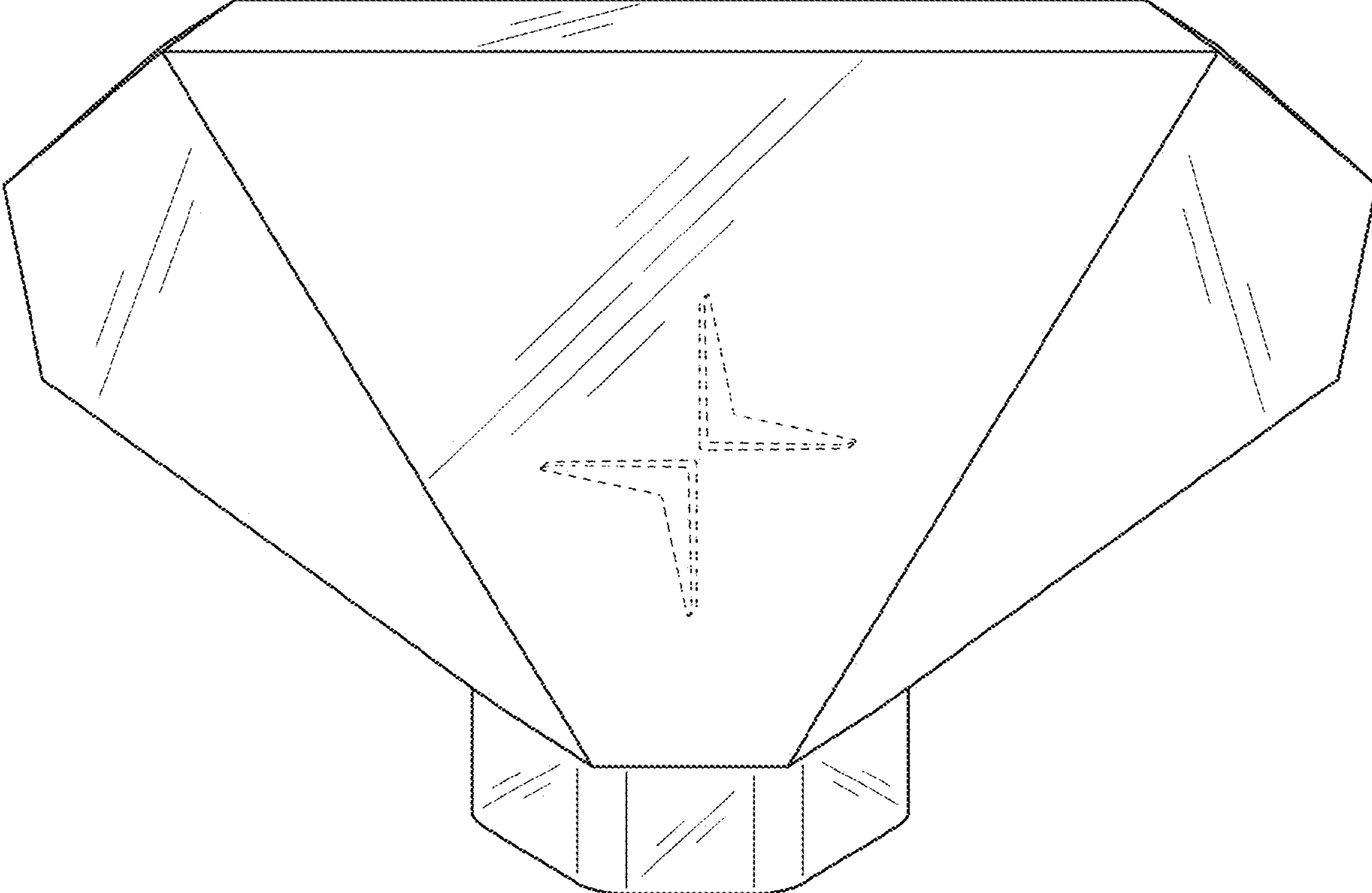


FIG. 2

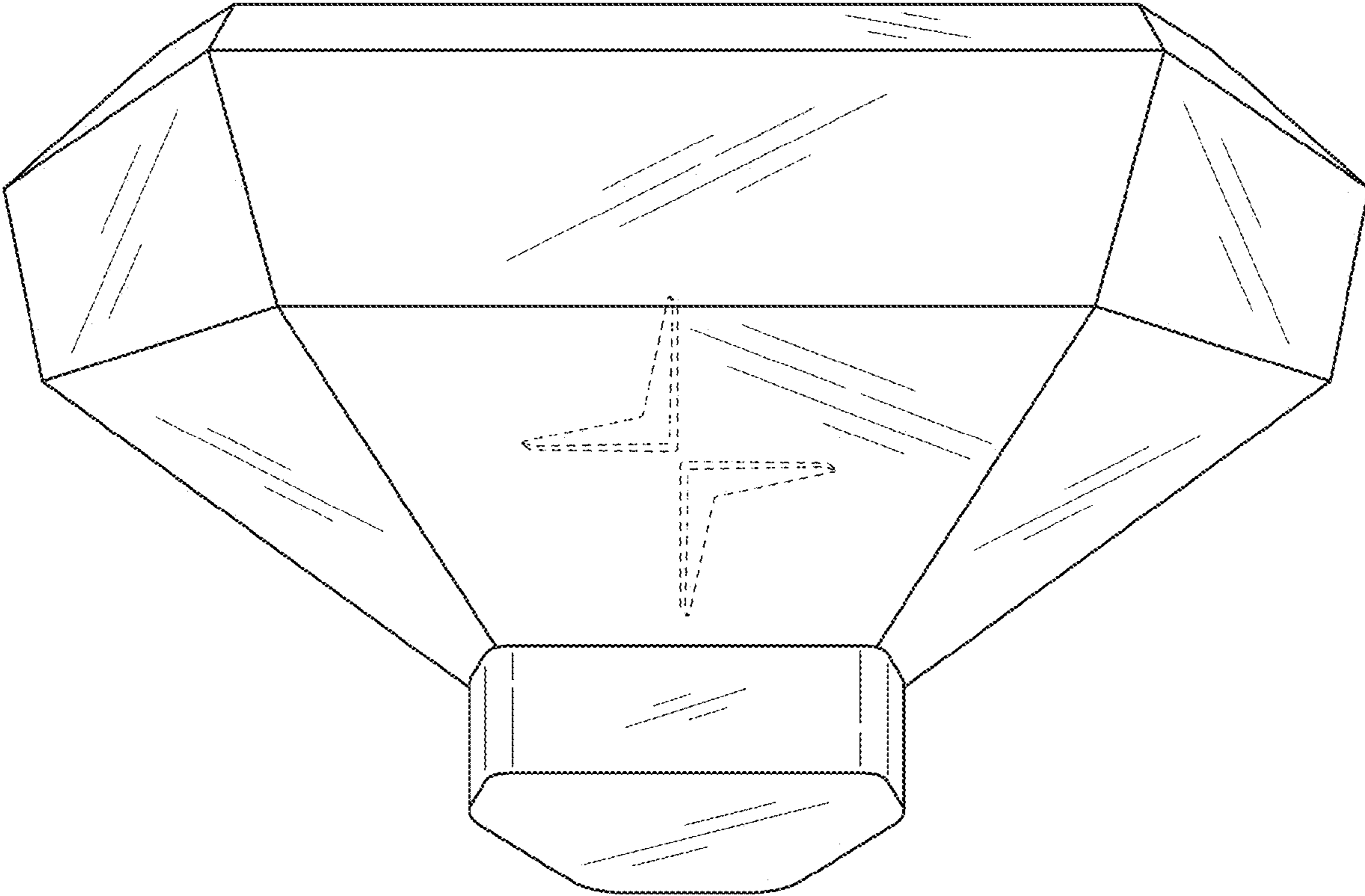


FIG. 3

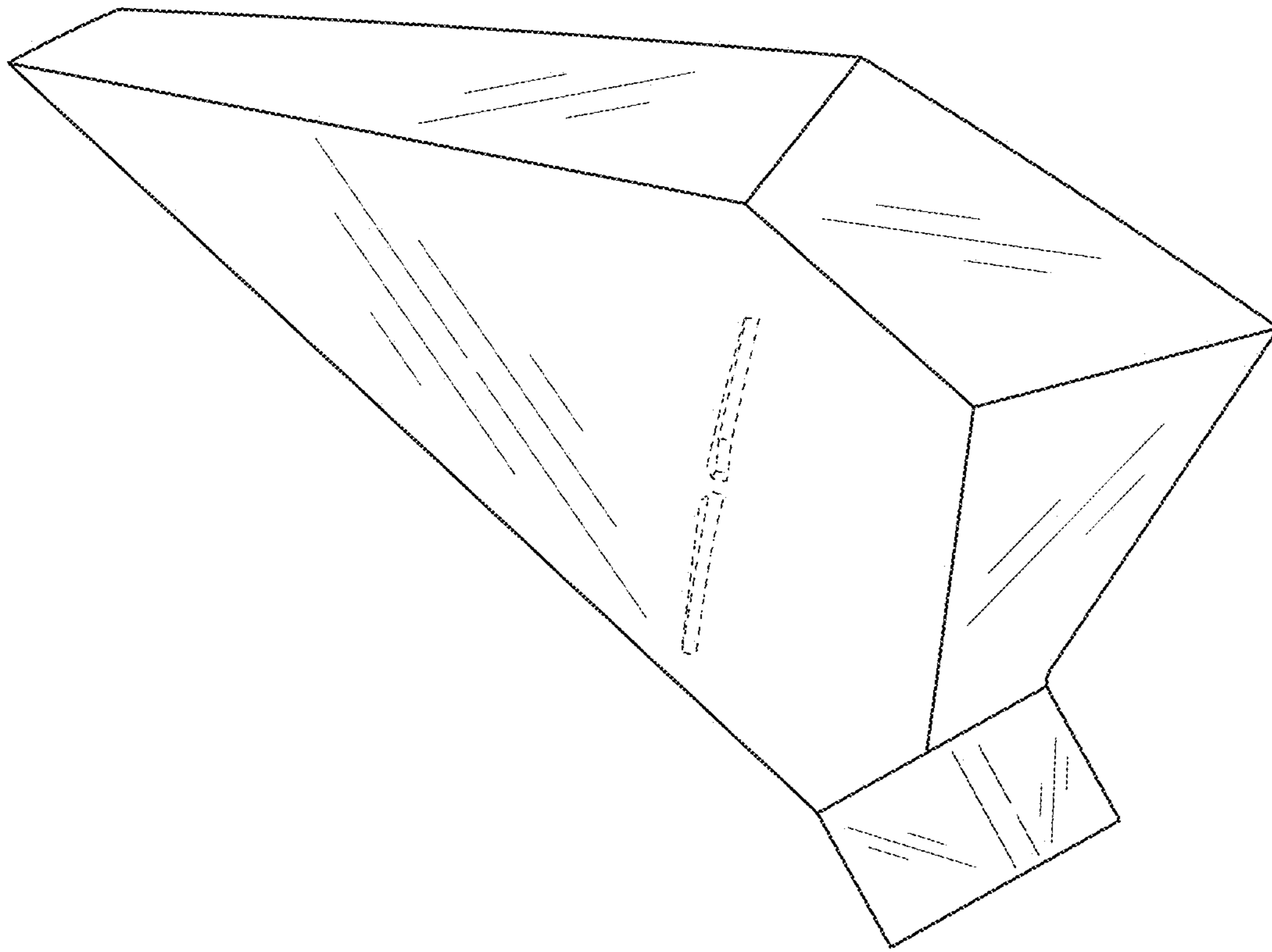


FIG. 4

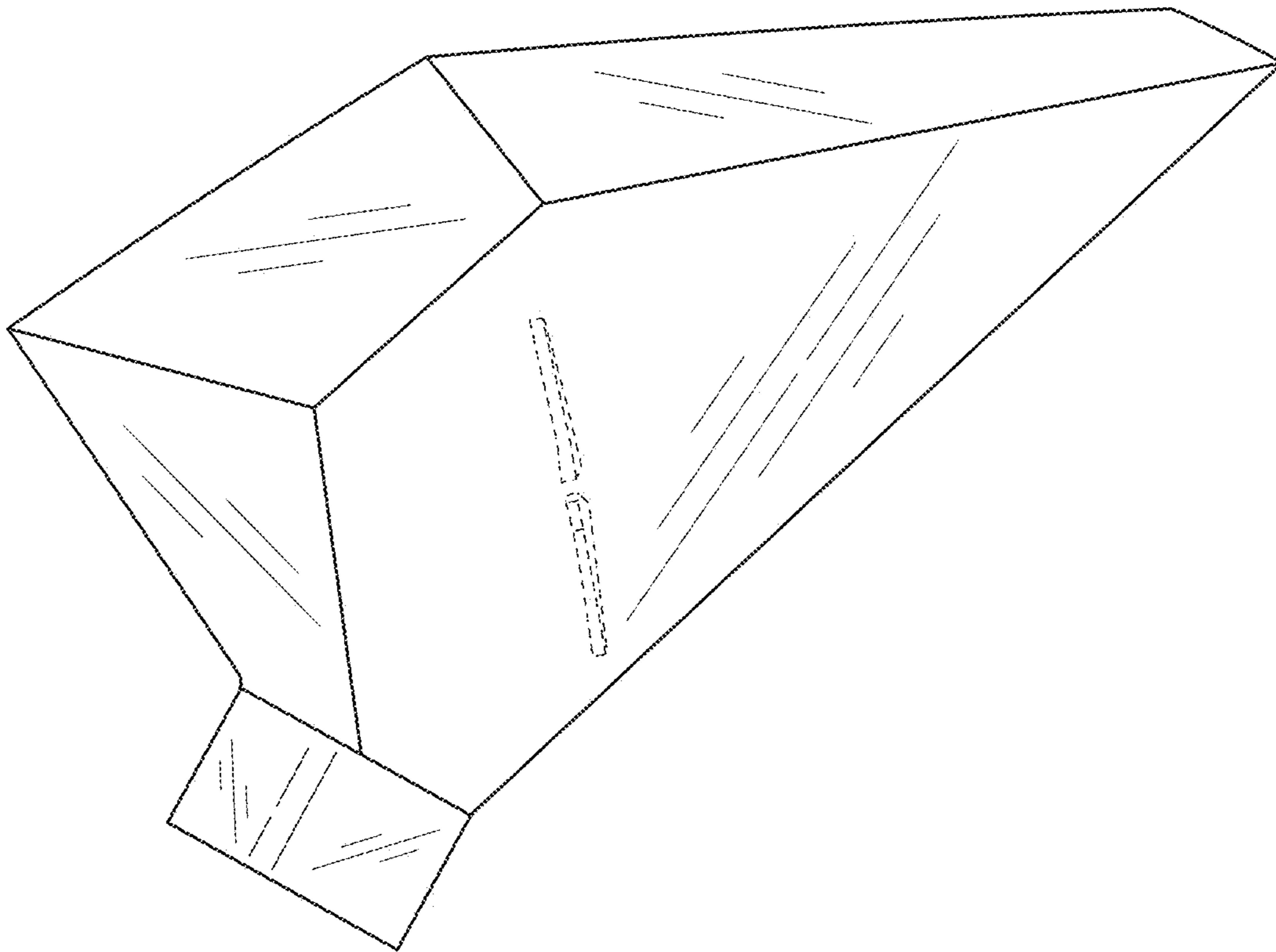


FIG. 5

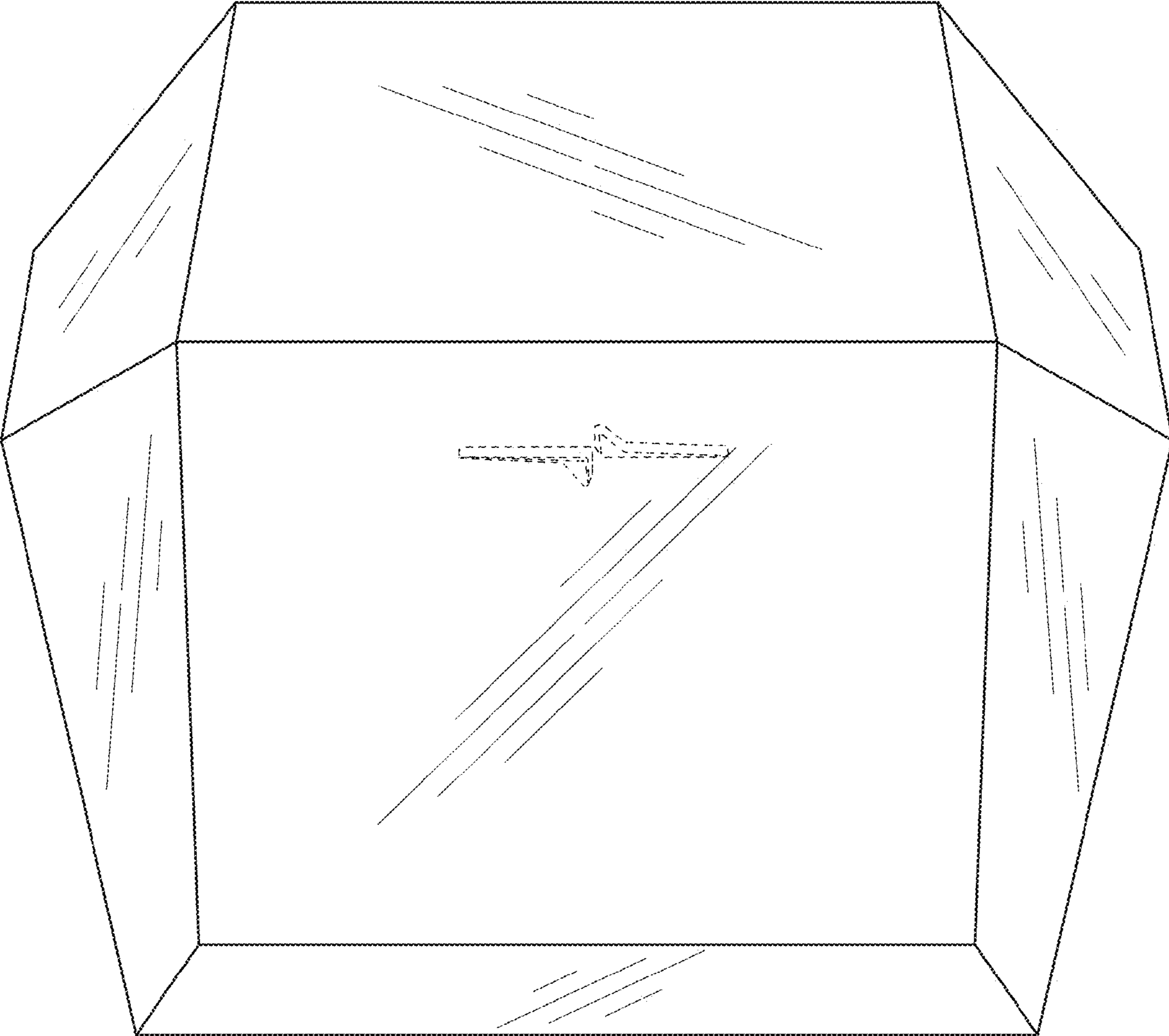


FIG. 6

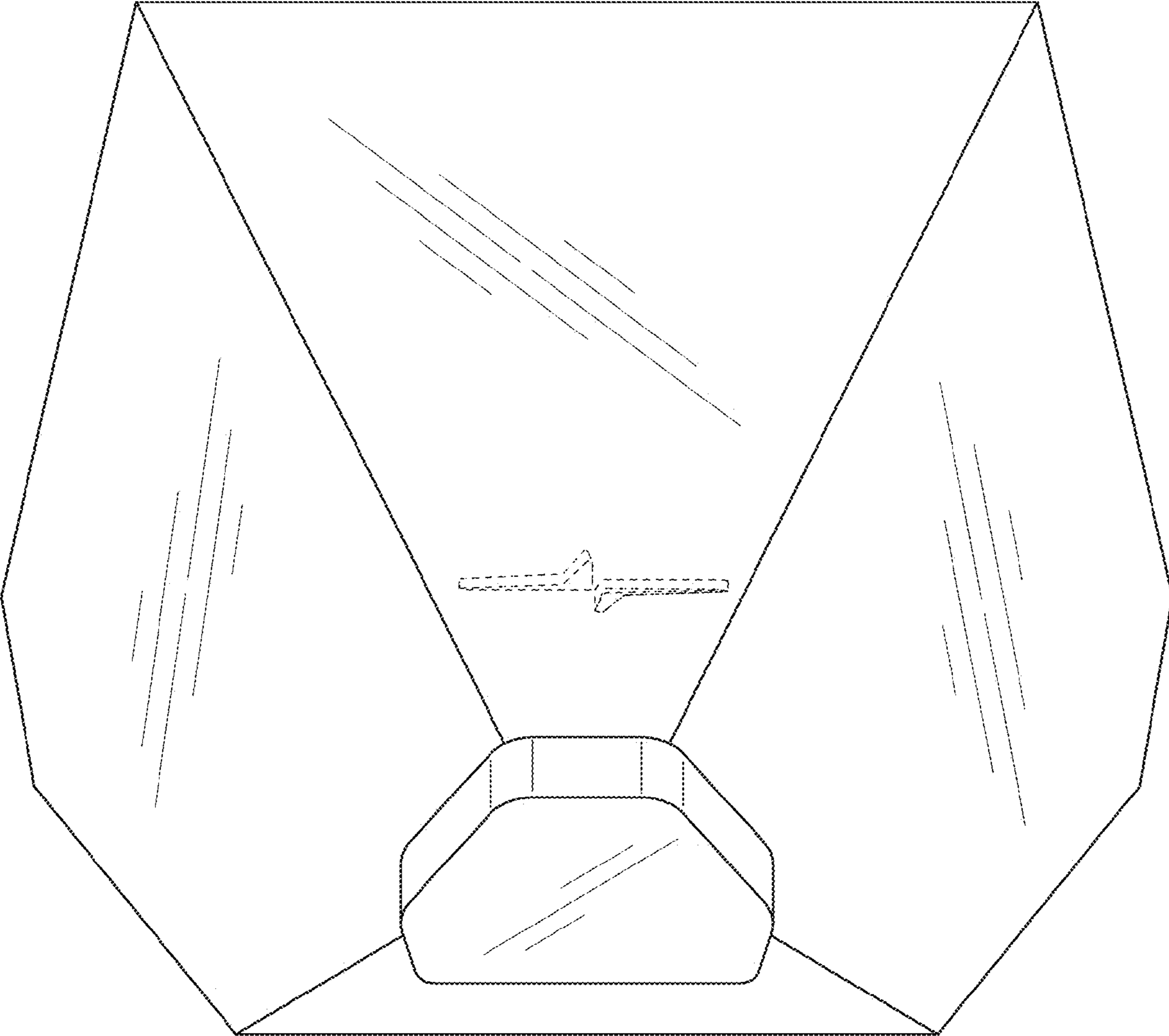


FIG. 7

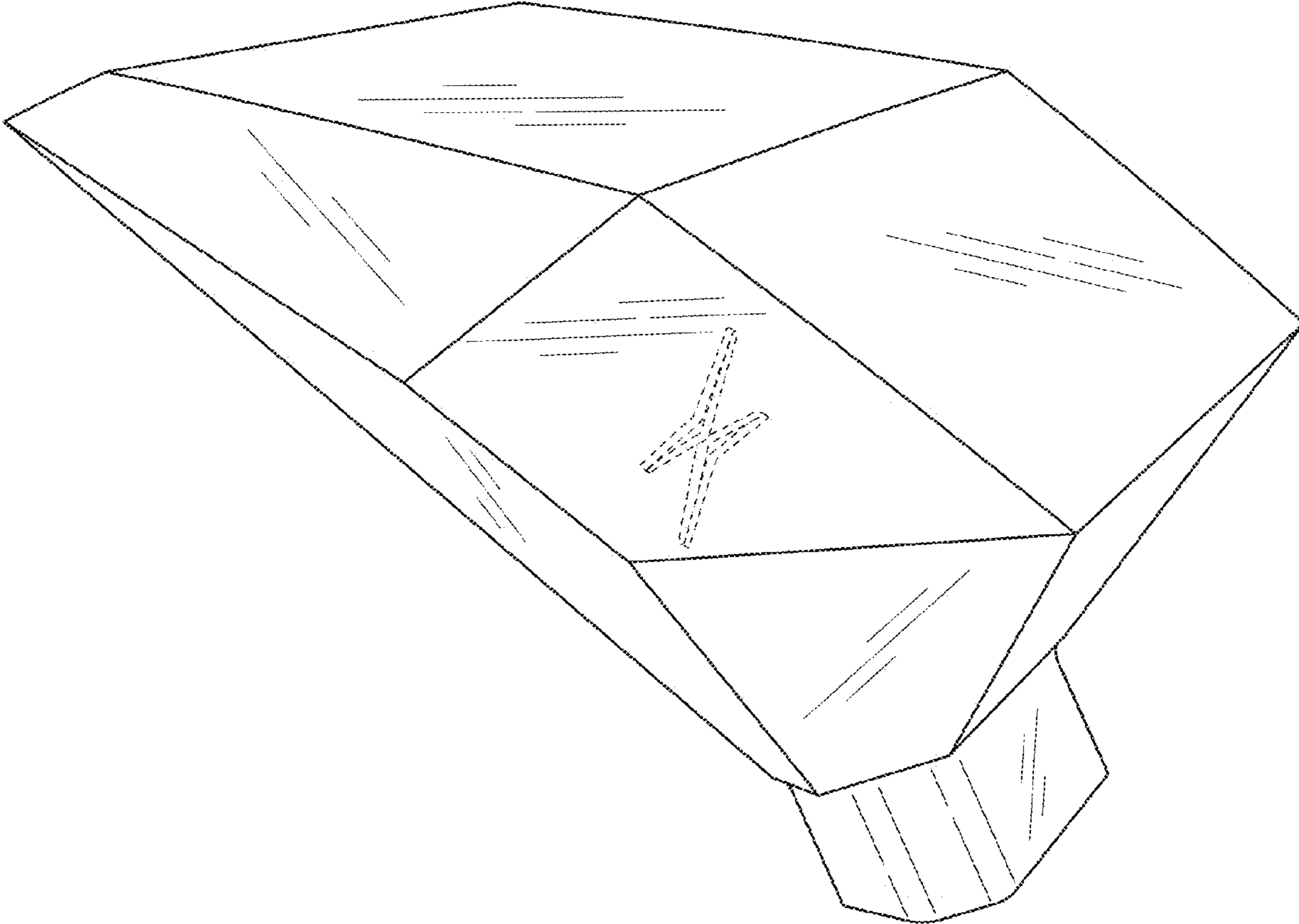


FIG. 8