



US00D962319S

(12) **United States Design Patent**
Wen et al.

(10) **Patent No.:** **US D962,319 S**
(45) **Date of Patent:** **** Aug. 30, 2022**

(54) **AUTOMATED GUIDED VEHICLE**

(57) **CLAIM**

(71) Applicant: **BYD COMPANY LIMITED**,
Guangdong (CN)

We claim the ornamental design for an automated guided vehicle, as shown and described.

(72) Inventors: **Shaohua Wen**, Shenzhen (CN); **Jian Wei**, Shenzhen (CN); **Jun Shen**, Shenzhen (CN); **Zhigang Liu**, Shenzhen (CN); **Wenhui Zhou**, Shenzhen (CN)

DESCRIPTION

(73) Assignee: **BYD COMPANY LIMITED**,
Guangdong (CN)

The file of this patent contains at least one drawing executed in color. Copies of this patent with color drawings will be provided by the Office upon request and payment of the necessary fee.

(**) Term: **15 Years**

FIG. 1 is a line drawing of a front elevational view of an automated guided vehicle of the present design;

(21) Appl. No.: **29/755,595**

FIG. 2 is a rear elevational view thereof;

(22) Filed: **Oct. 21, 2020**

FIG. 3 is a left side elevational view thereof;

(30) **Foreign Application Priority Data**

FIG. 4 is a right side elevational view thereof;

Apr. 23, 2020 (CN) 202030171584.5

FIG. 5 is a top plan view thereof;

(51) **LOC (13) Cl.** **15-99**

FIG. 6 is a front/right/top perspective view thereof;

(52) **U.S. Cl.**
USPC **D15/199**

FIG. 7 is a rendered drawing of a front elevational view of an automated guided vehicle of the present design;

(58) **Field of Classification Search**
USPC D15/199; D21/369, 578-583, 622;
D24/137-140, 146, 150, 232
(Continued)

FIG. 8 is a rear elevational view thereof;

(56) **References Cited**

U.S. PATENT DOCUMENTS

D685,438 S * 7/2013 Fan D15/199
D842,353 S * 3/2019 Lee D15/199
(Continued)

FIG. 9 is a left side elevational view thereof;

FIG. 10 is a right side elevational view thereof;

FIG. 11 is a top plan view thereof;

FIG. 12 is a front/right/top perspective view thereof;

FIG. 13 is a line drawing of a front elevational view of another embodiment of an automated guided vehicle of the present design;

FIG. 14 is a rear elevational view thereof;

FIG. 15 is a left side elevational view thereof;

FIG. 16 is a right side elevational view thereof;

FIG. 17 is a top plan view thereof;

FIG. 18 is a front/right/top perspective view thereof;

FIG. 19 is a rendered drawing of a front elevational view of an automated guided vehicle of the present design;

FIG. 20 is a rear elevational view thereof;

FIG. 21 is a left side elevational view thereof;

FIG. 22 is a right side elevational view thereof;

FIG. 23 is a top plan view thereof; and,

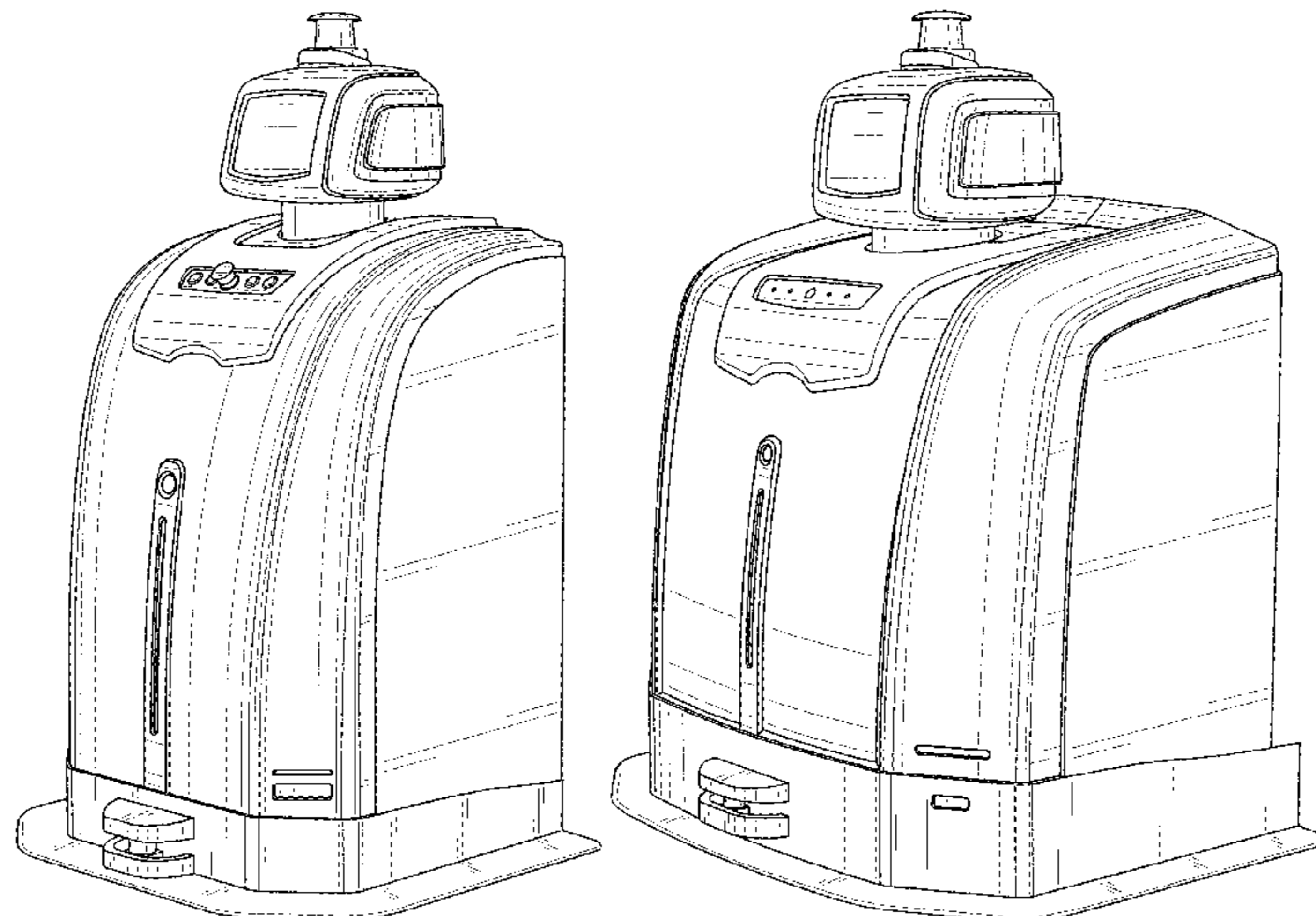
FIG. 24 is a front/right/top perspective view thereof.

Primary Examiner — Michael C Stout

Assistant Examiner — Fritzgerald L Butac

(74) *Attorney, Agent, or Firm* — Calfee Halter & Griswold LLP

1 Claim, 20 Drawing Sheets
(10 of 20 Drawing Sheet(s) Filed in Color)



(58) **Field of Classification Search**

CPC A63H 11/00; B25J 9/0003; Y10S 901/01
See application file for complete search history.

(56) **References Cited**

U.S. PATENT DOCUMENTS

D851,148	S	*	6/2019	Wang	D15/199
D864,271	S	*	10/2019	Lai	D15/199
D865,829	S	*	11/2019	Sakai	D15/199
D871,474	S	*	12/2019	Kolb	D15/199
D881,249	S	*	4/2020	Kim	D15/199
D884,043	S	*	5/2020	Song	D15/199
D891,496	S	*	7/2020	Okawa	D15/199
D897,385	S	*	9/2020	Zhang	D15/199
D913,349	S	*	3/2021	Yao	D15/199
D919,687	S	*	5/2021	Song	D15/199
D920,411	S	*	5/2021	Zheng	D15/199
D921,080	S	*	6/2021	Chen	D15/199
D921,081	S	*	6/2021	LaPlante	D15/199
D922,465	S	*	6/2021	Lee	B25J 11/00 D15/199
D923,681	S	*	6/2021	Lee	G05D 1/024 D15/199
D930,728	S	*	9/2021	Yao	D15/199
D934,933	S	*	11/2021	Cho	D15/199
D934,934	S	*	11/2021	Park	D15/199
D937,920	S	*	12/2021	Gidwell	D15/199
D939,004	S	*	12/2021	Gidwell	D15/199
D939,602	S	*	12/2021	Wang	B25J 11/00 D15/199
D940,883	S	*	1/2022	Fox	D24/186
D941,900	S	*	1/2022	Jin	B25J 11/00 D15/199

* cited by examiner

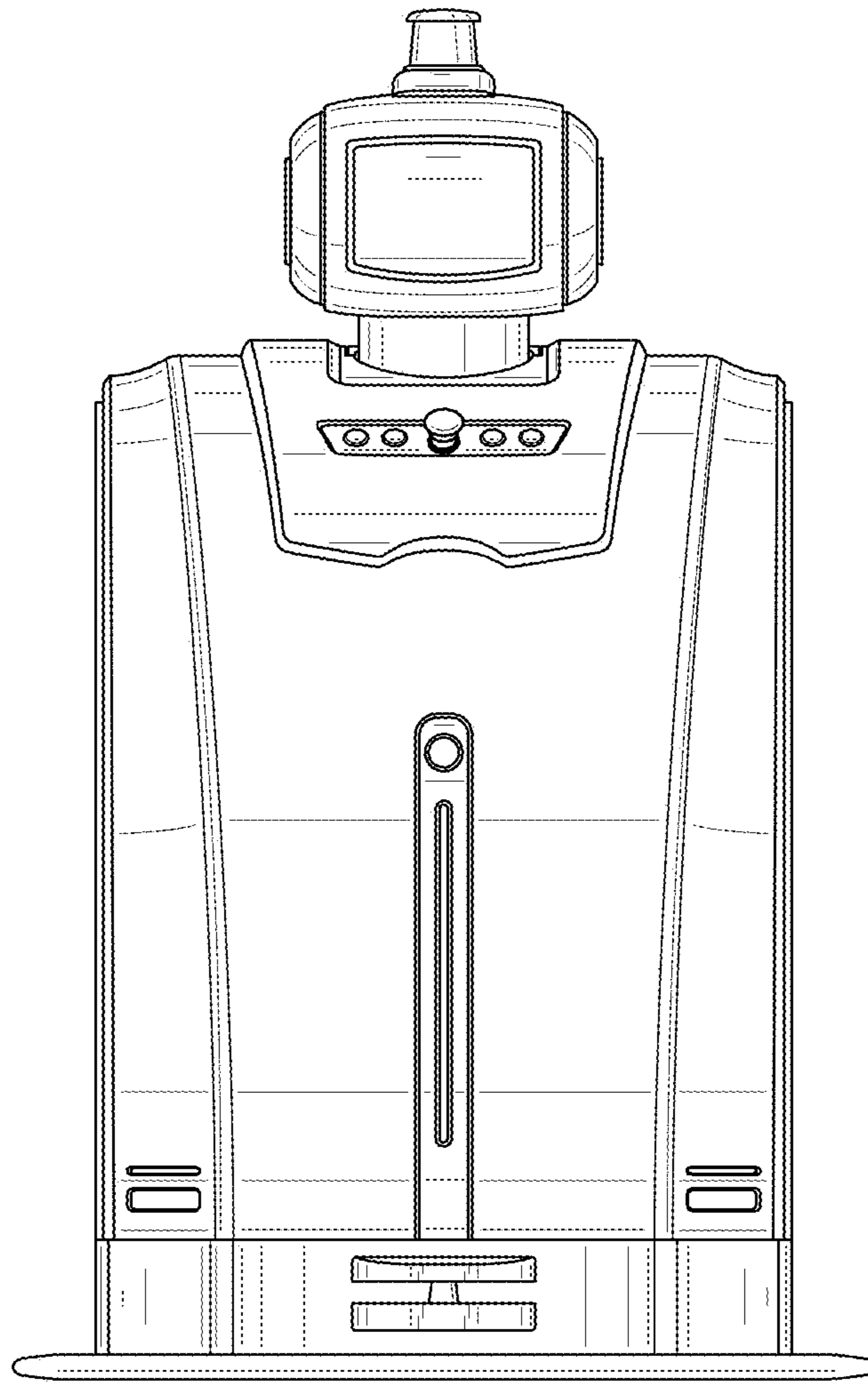


FIG. 1

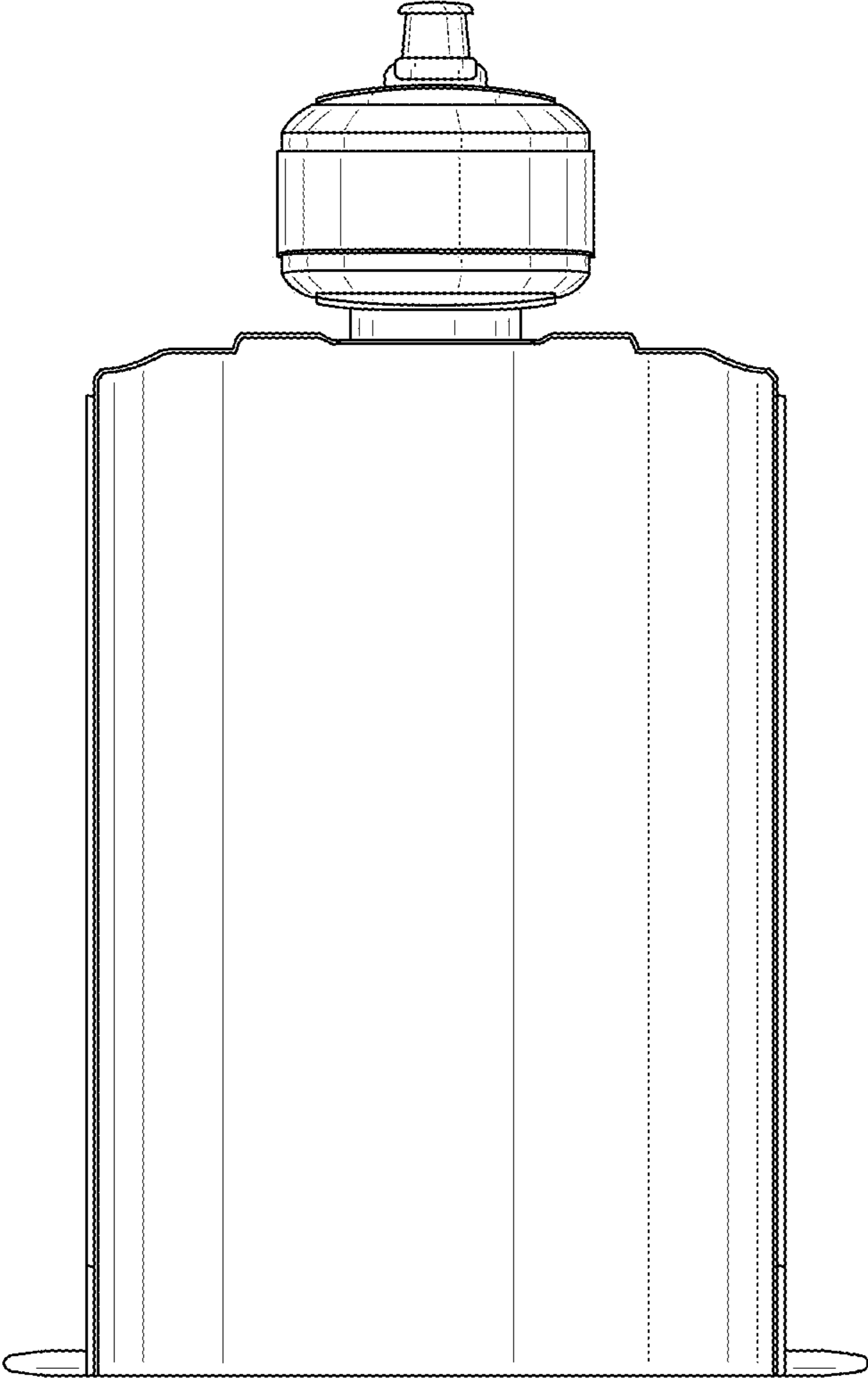


FIG. 2

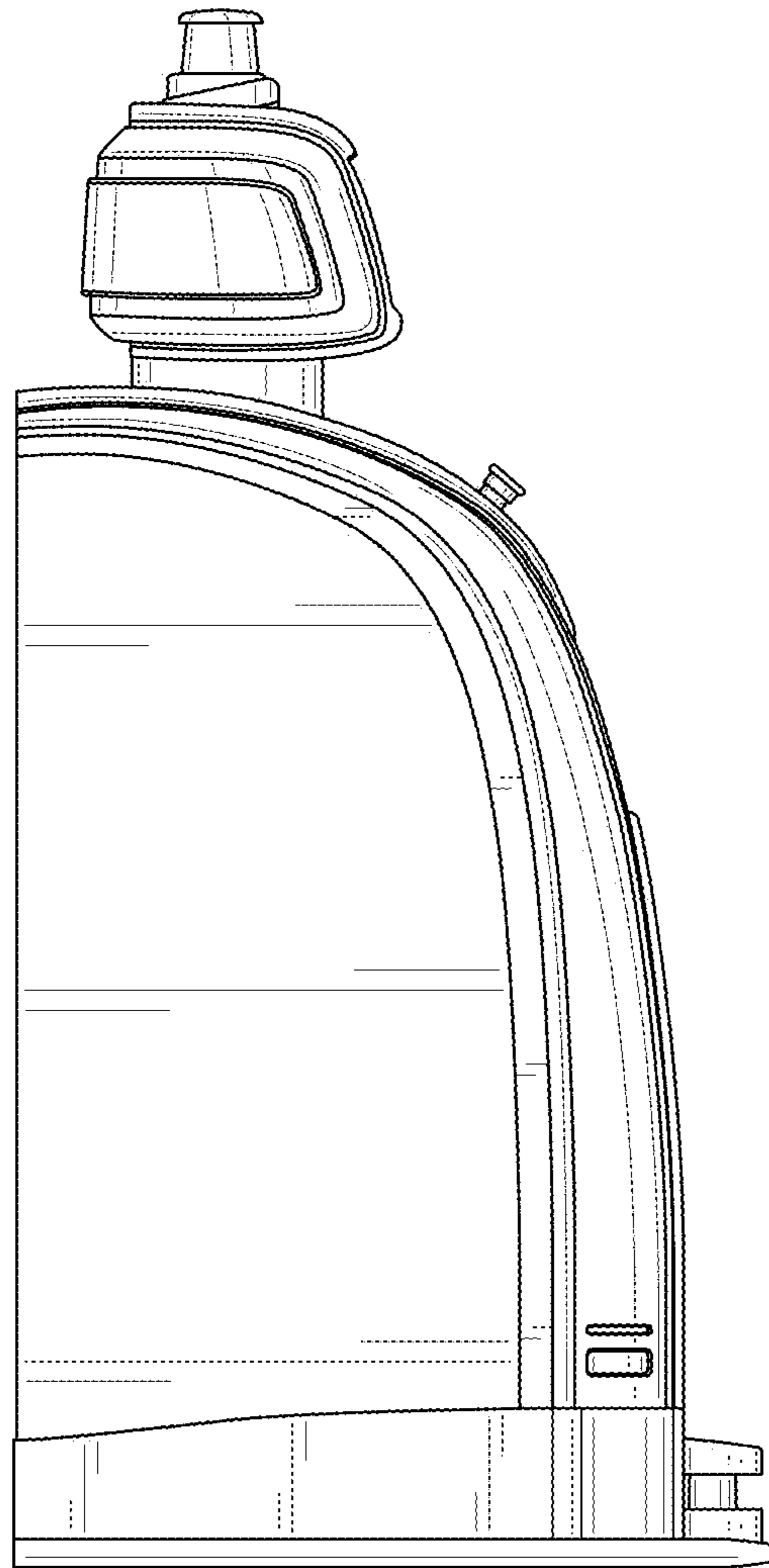


FIG. 3

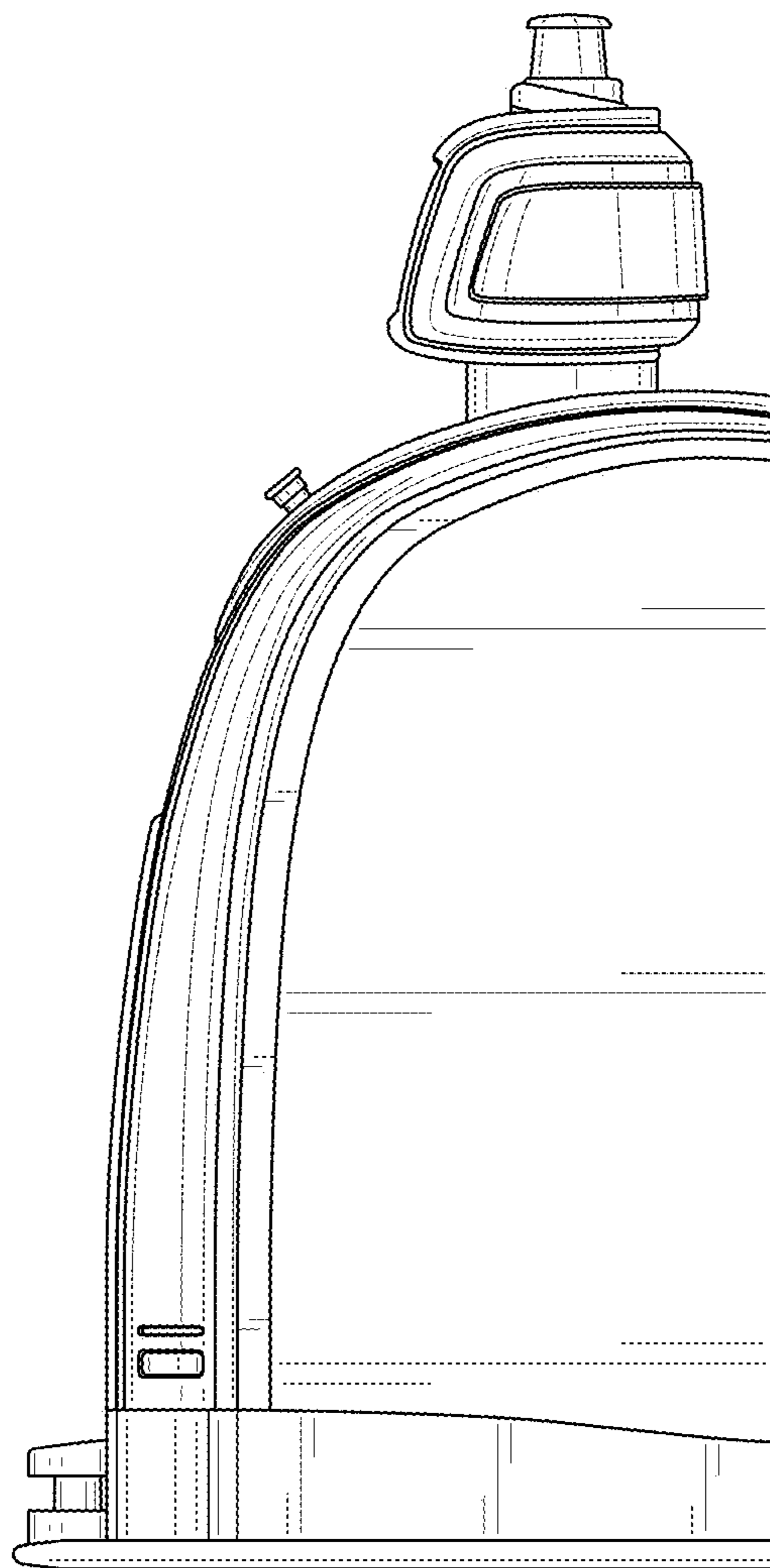


FIG. 4

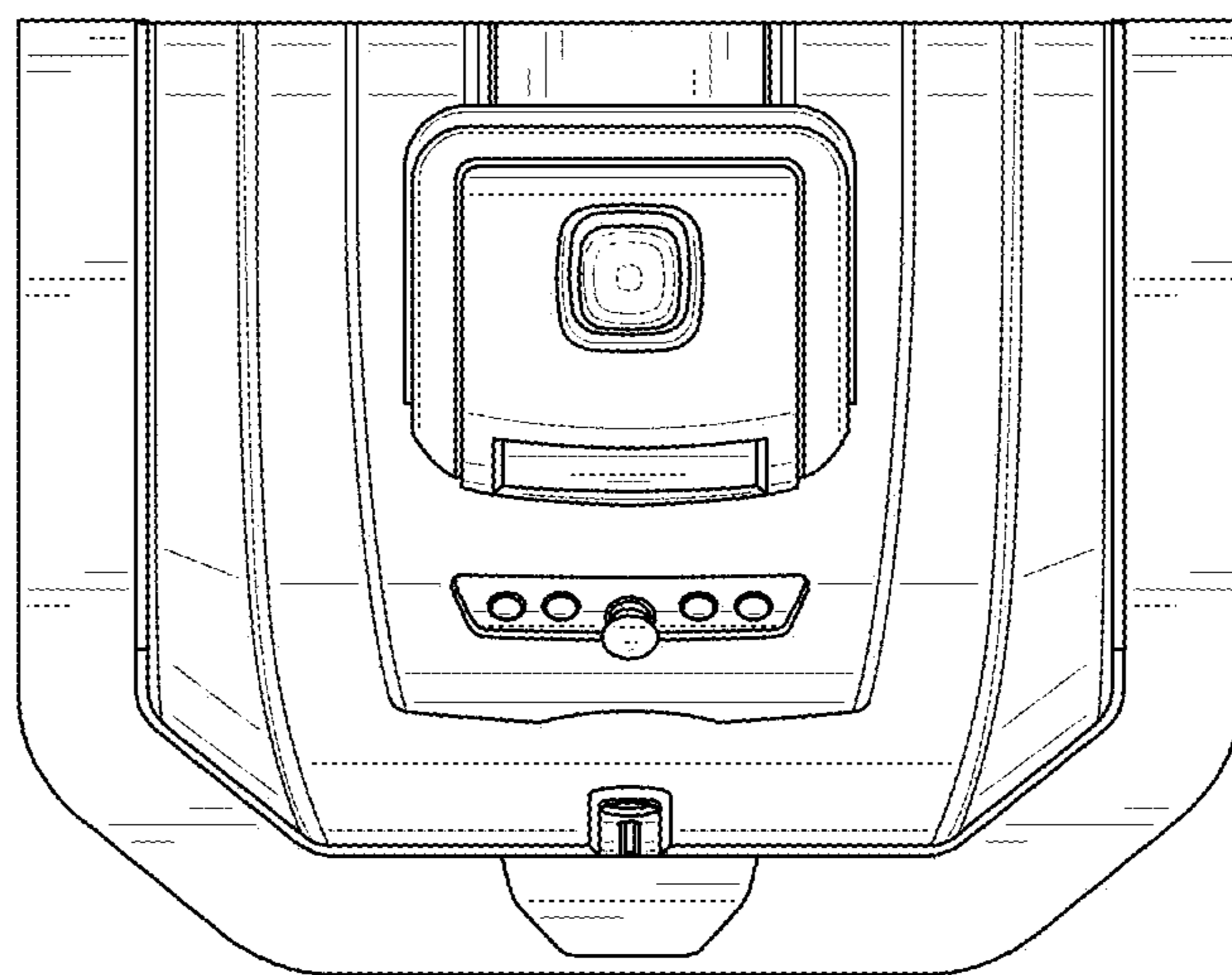


FIG. 5

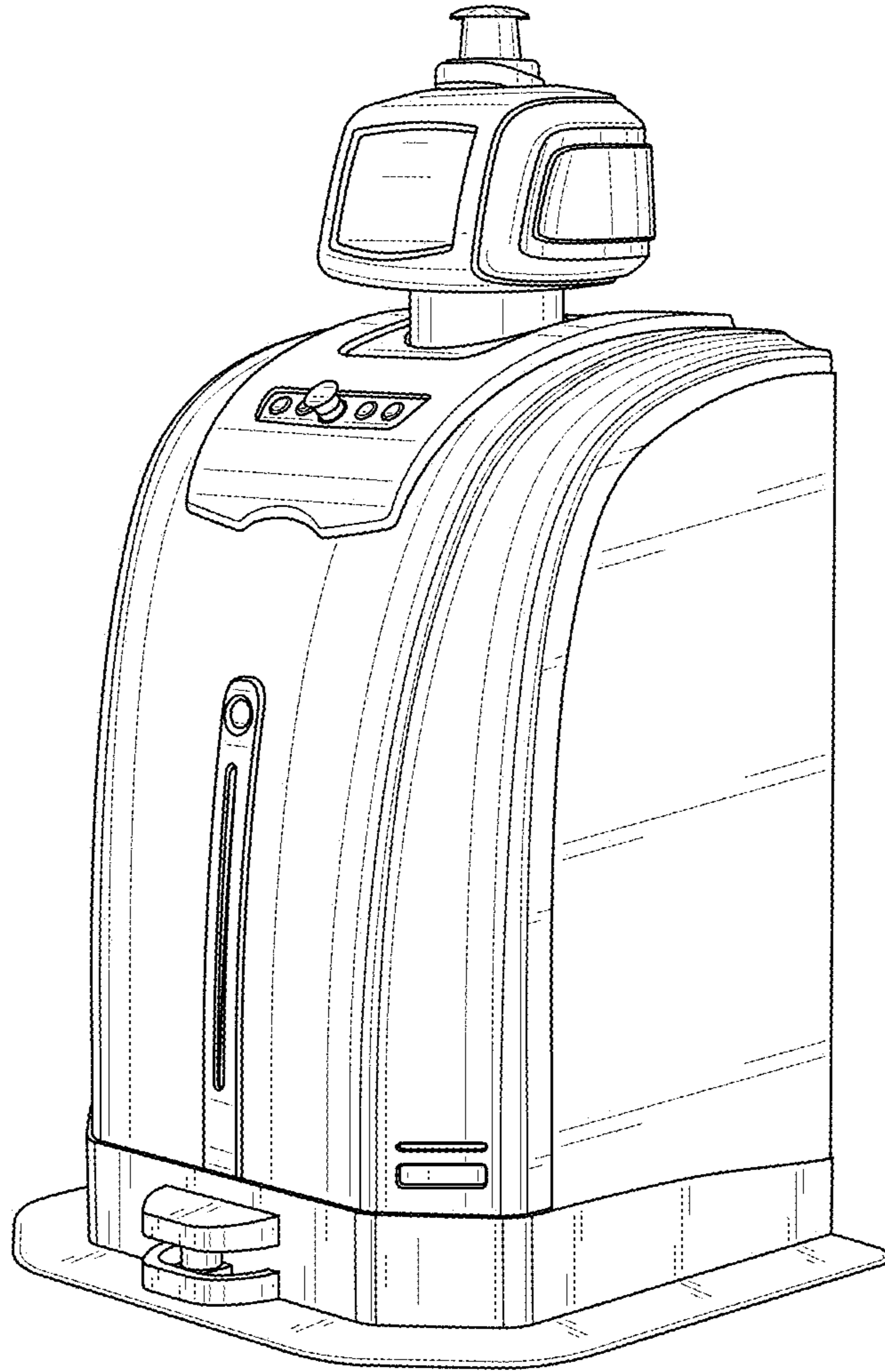


FIG. 6



FIG. 7

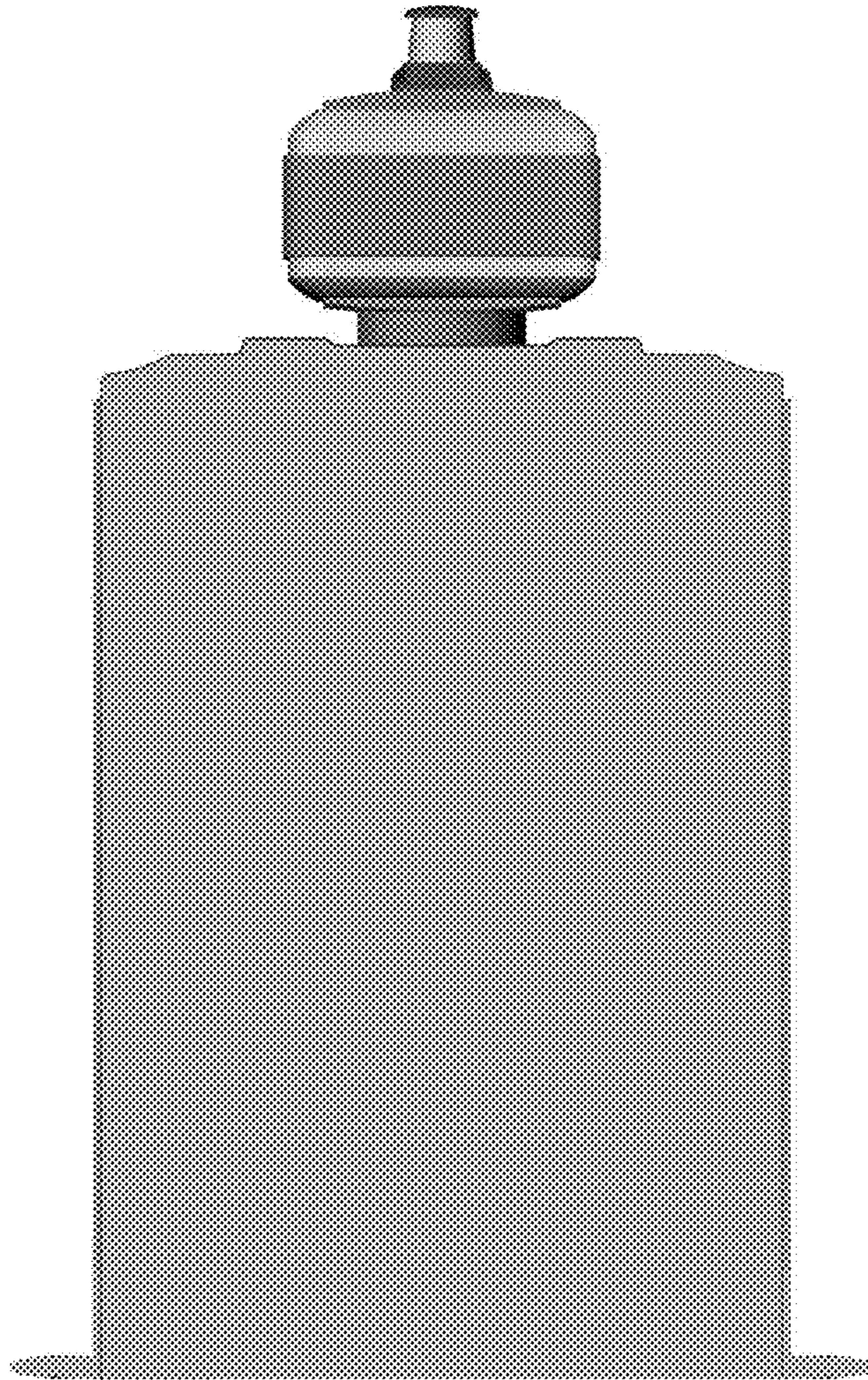


FIG. 8

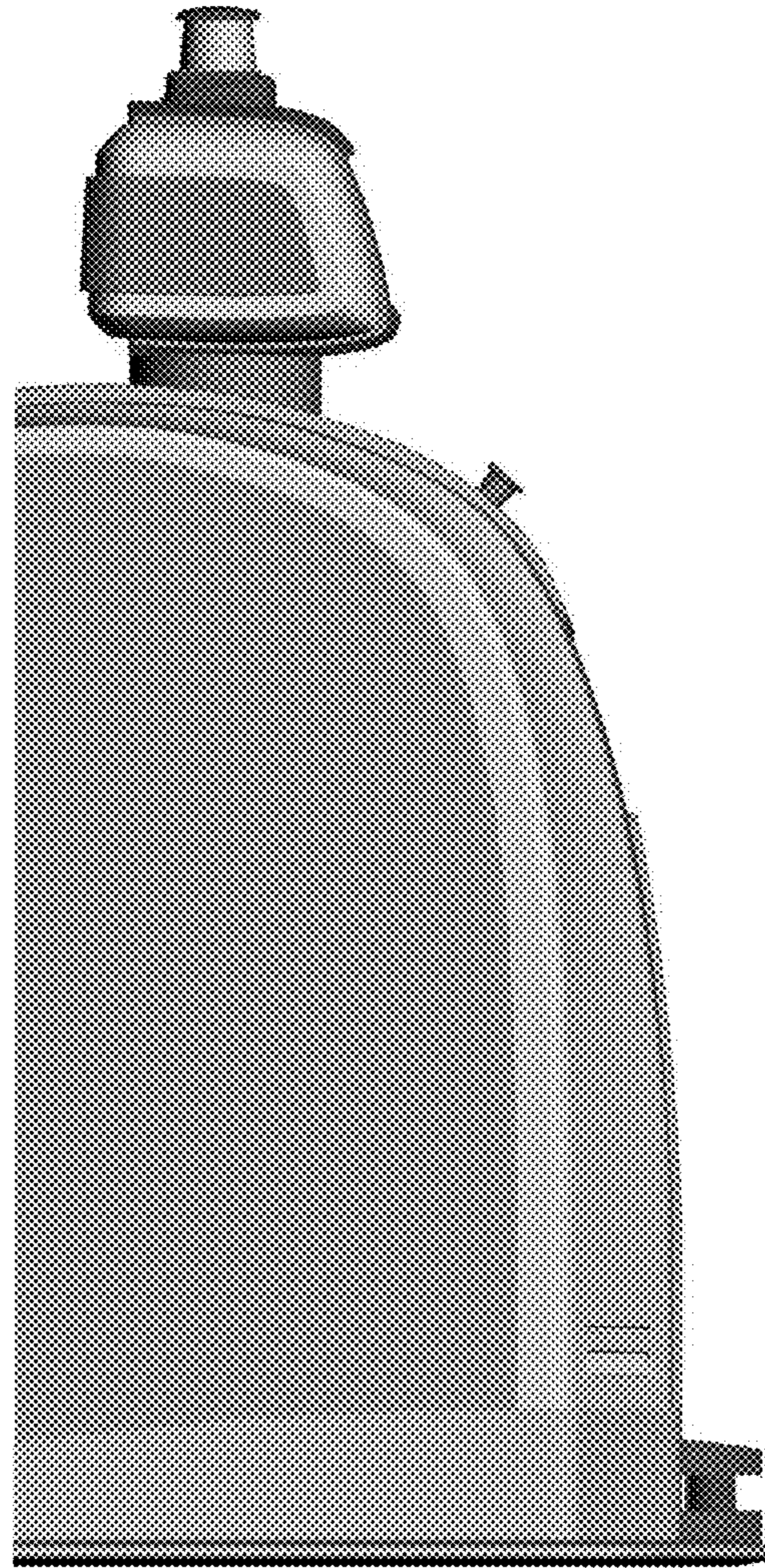


FIG. 9

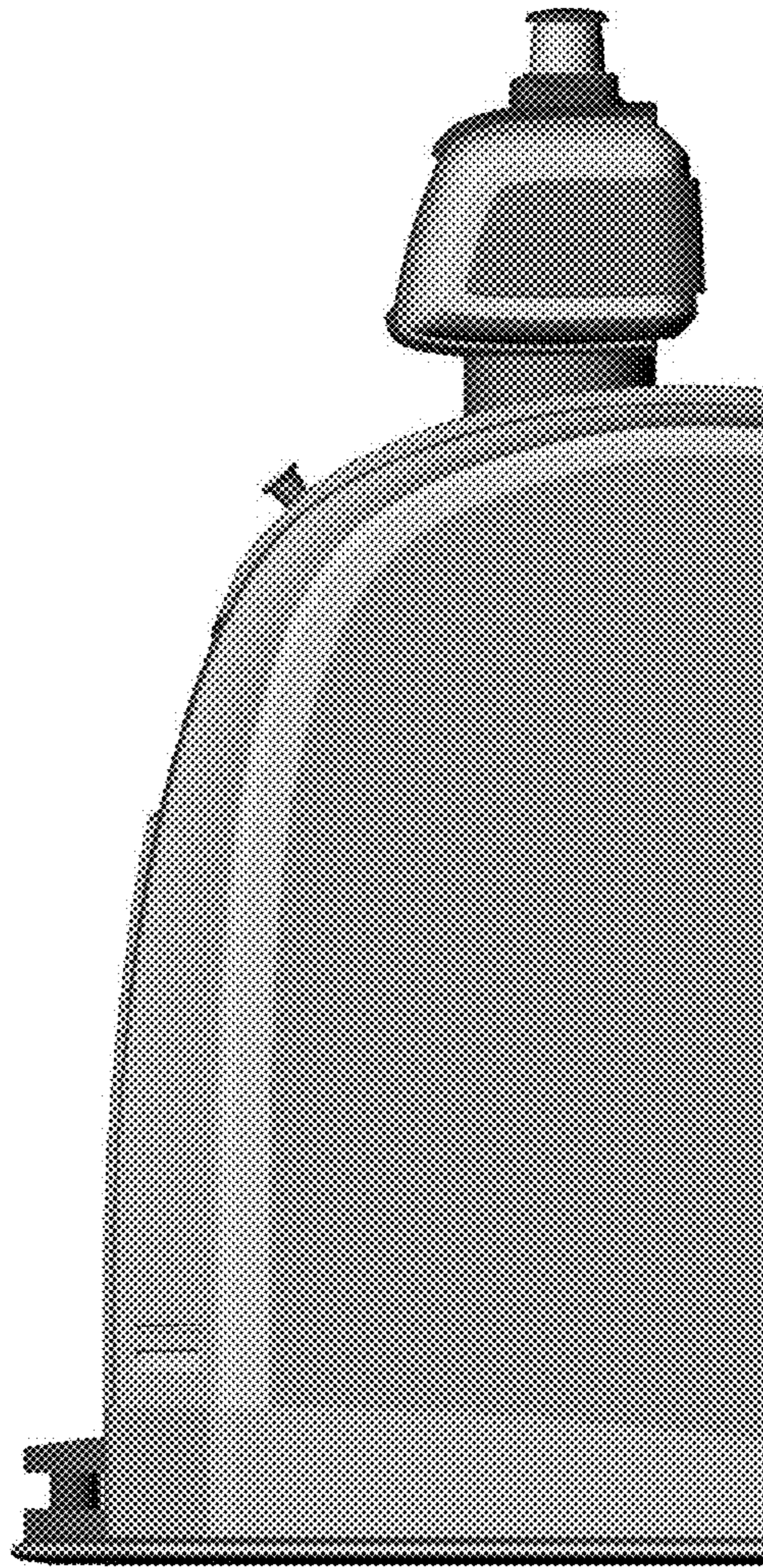


FIG. 10

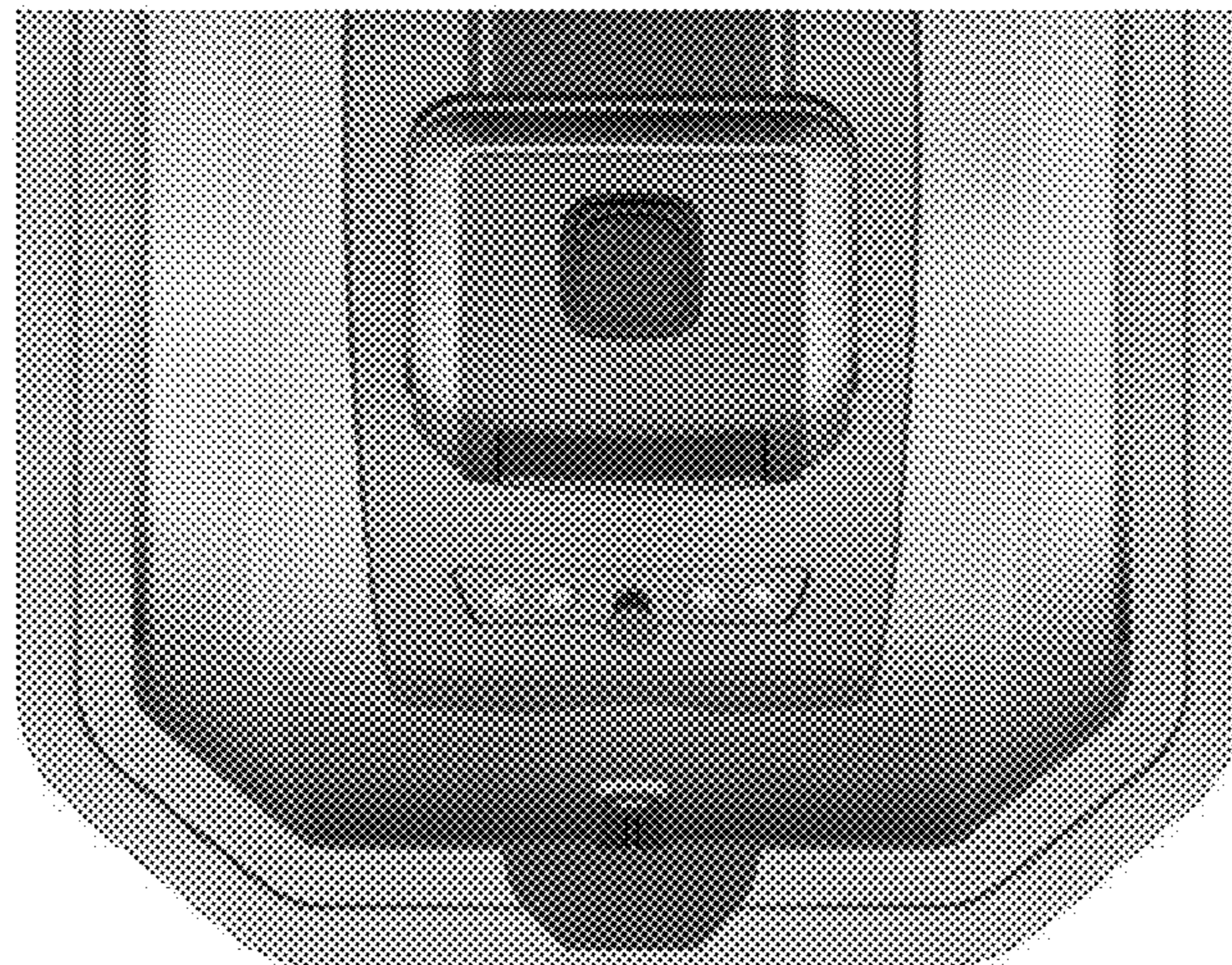


FIG. 11



FIG. 12

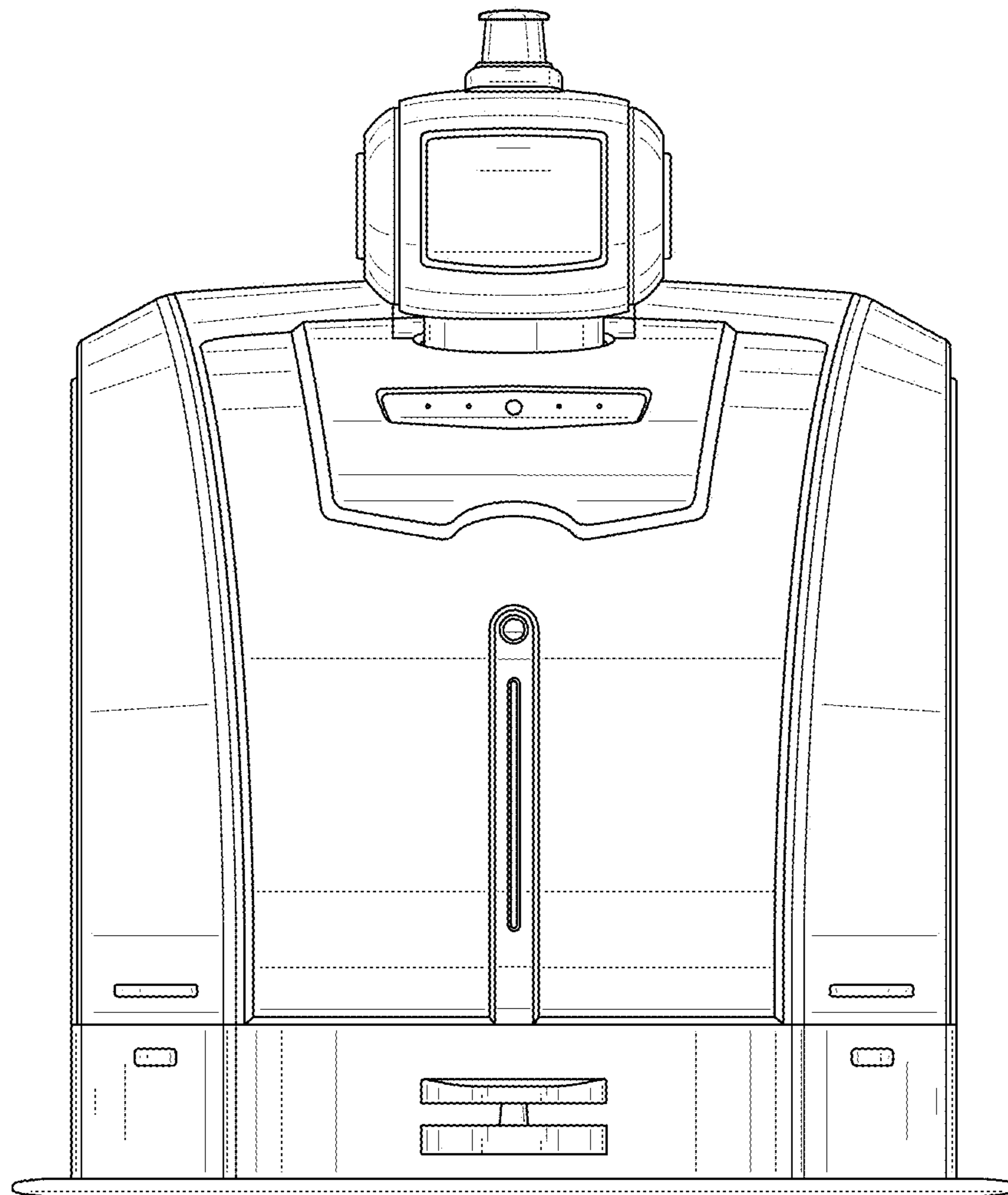


FIG. 13

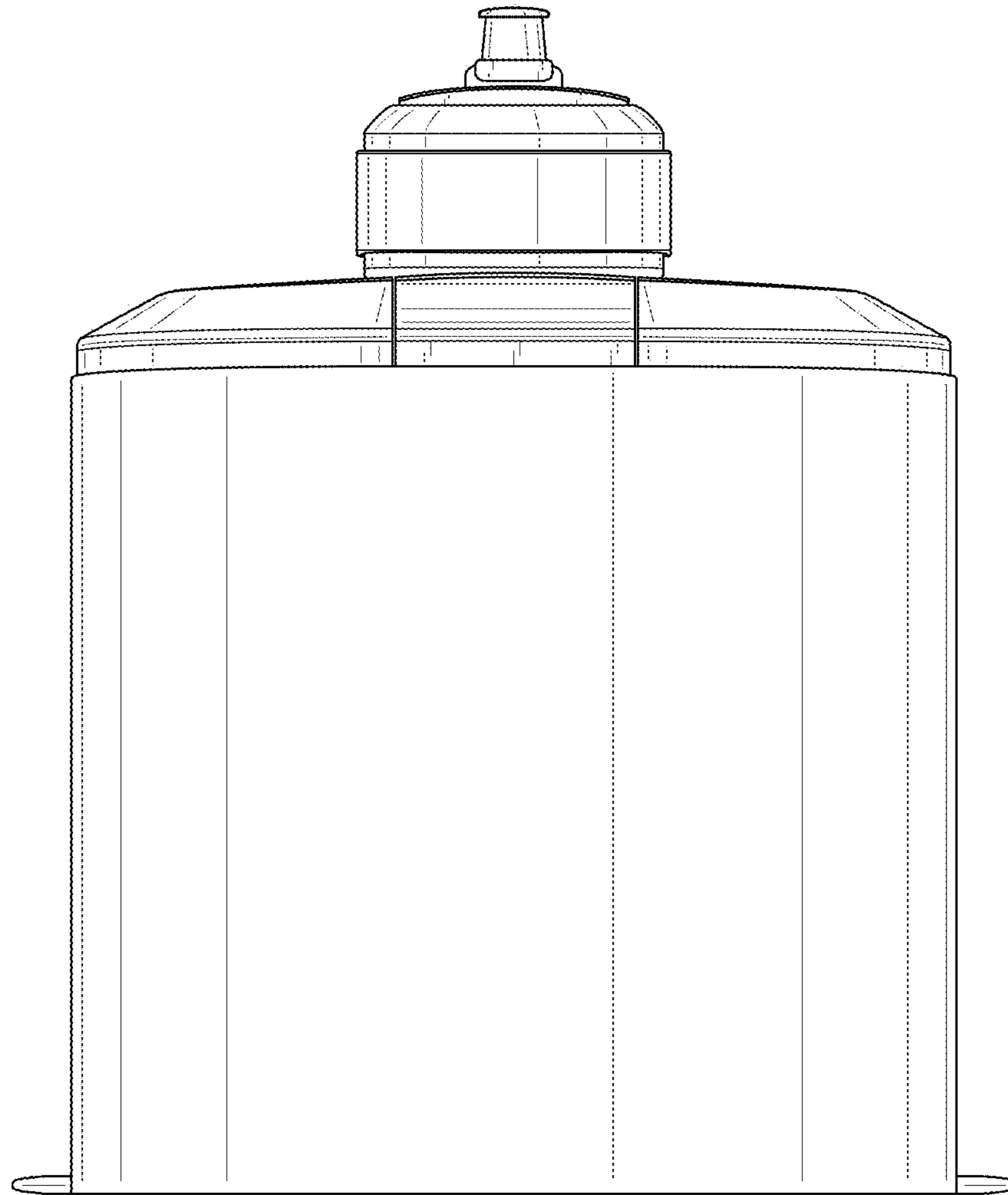


FIG. 14

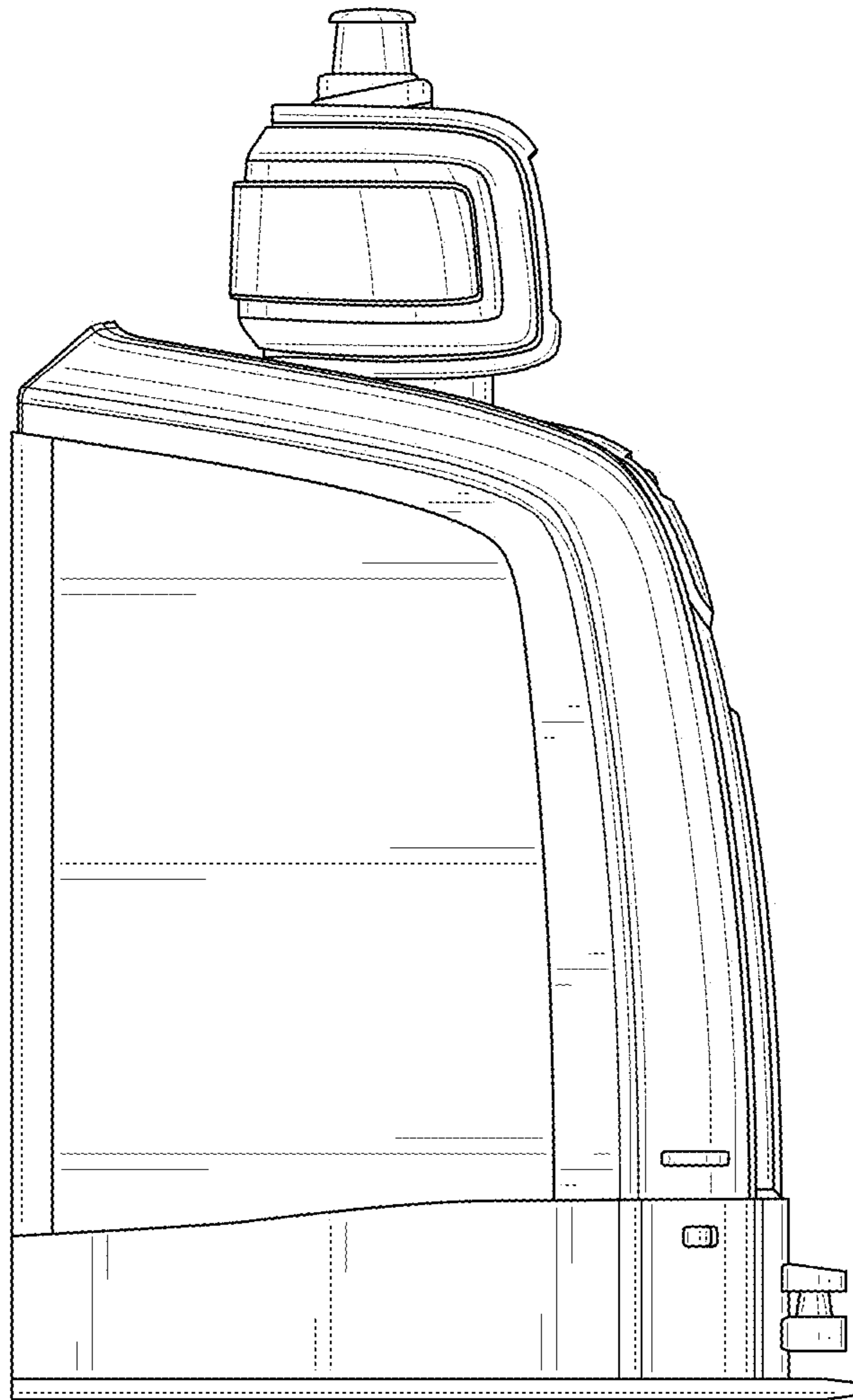


FIG. 15

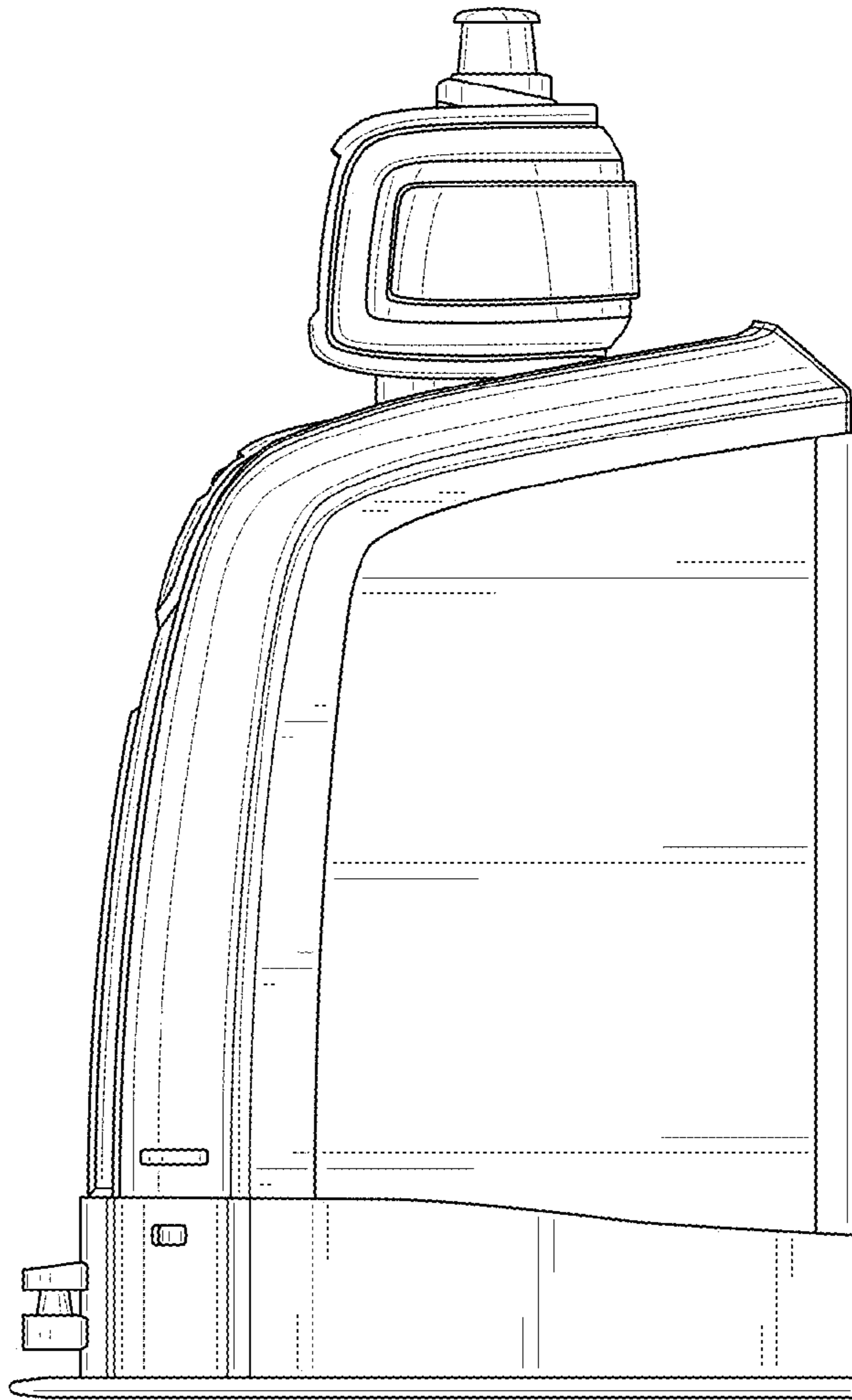


FIG. 16

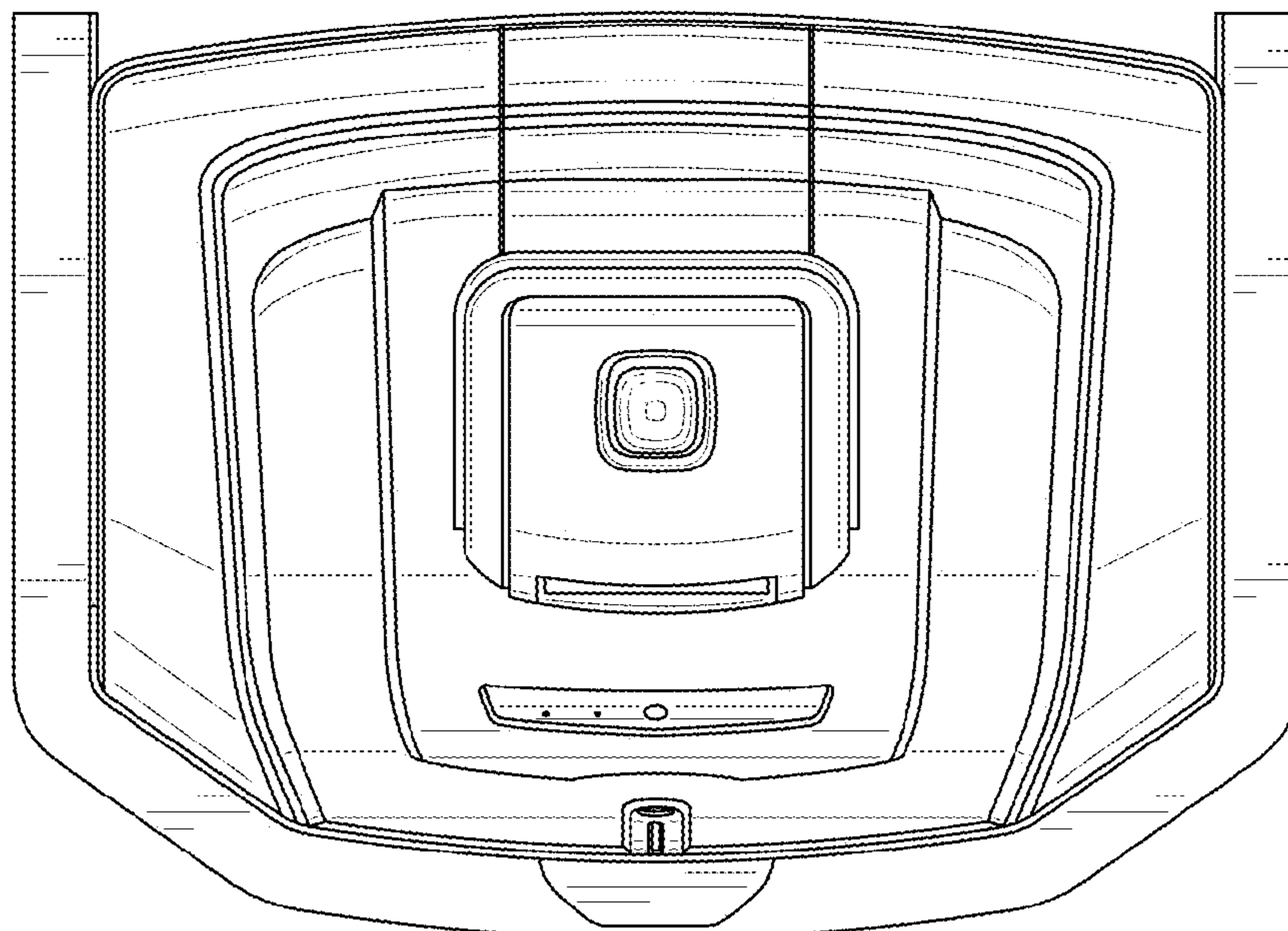


FIG. 17

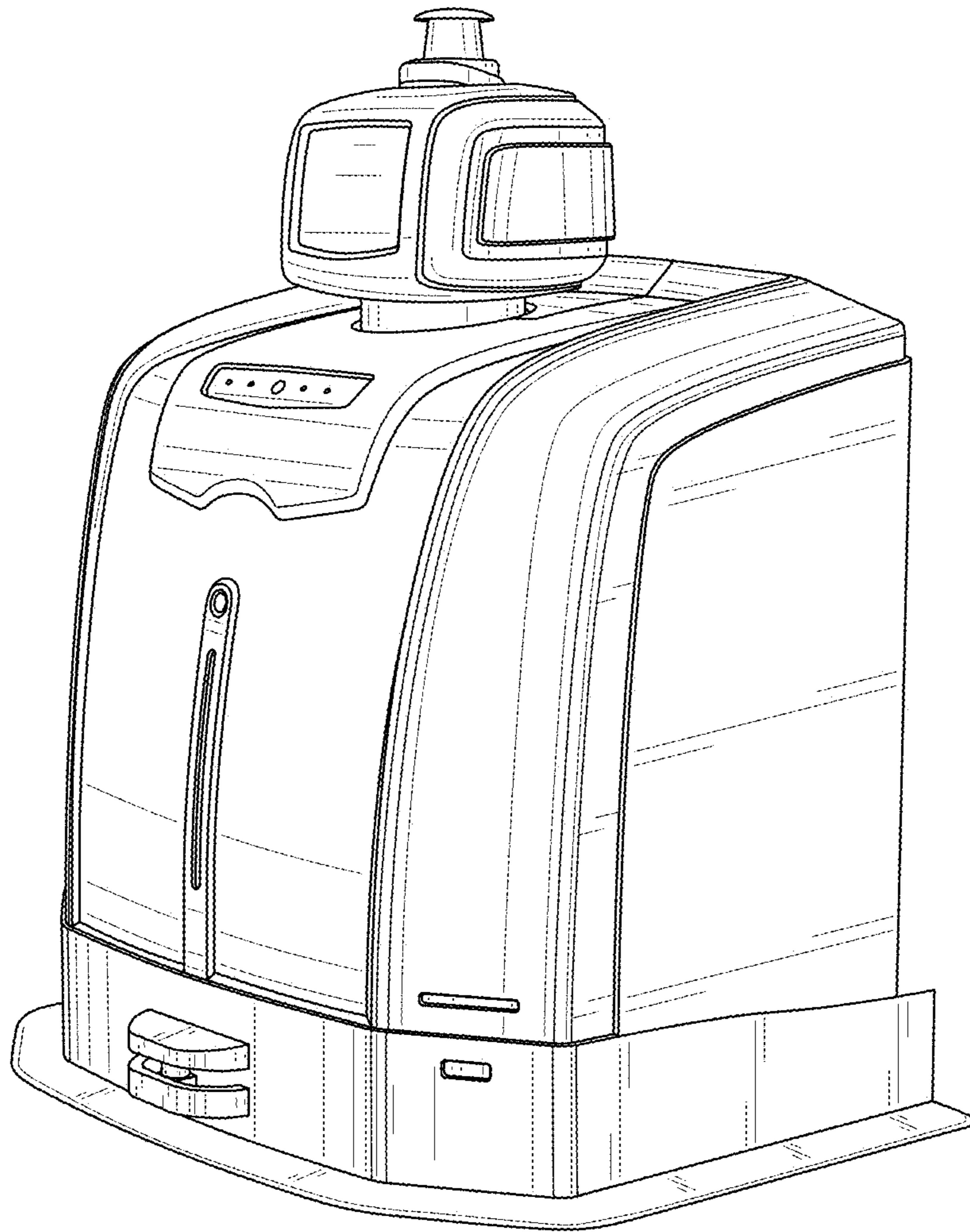


FIG. 18



FIG. 19

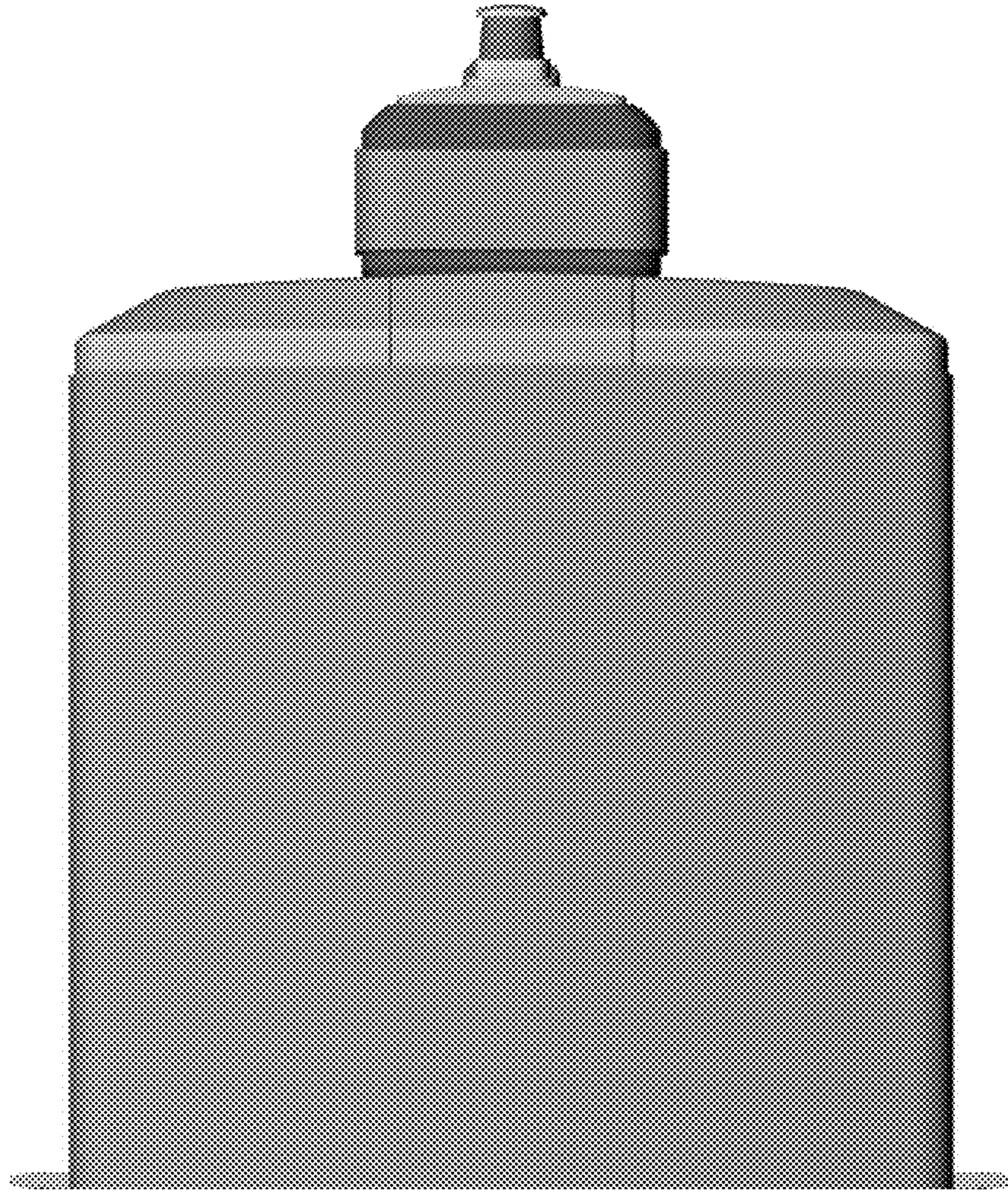


FIG. 20

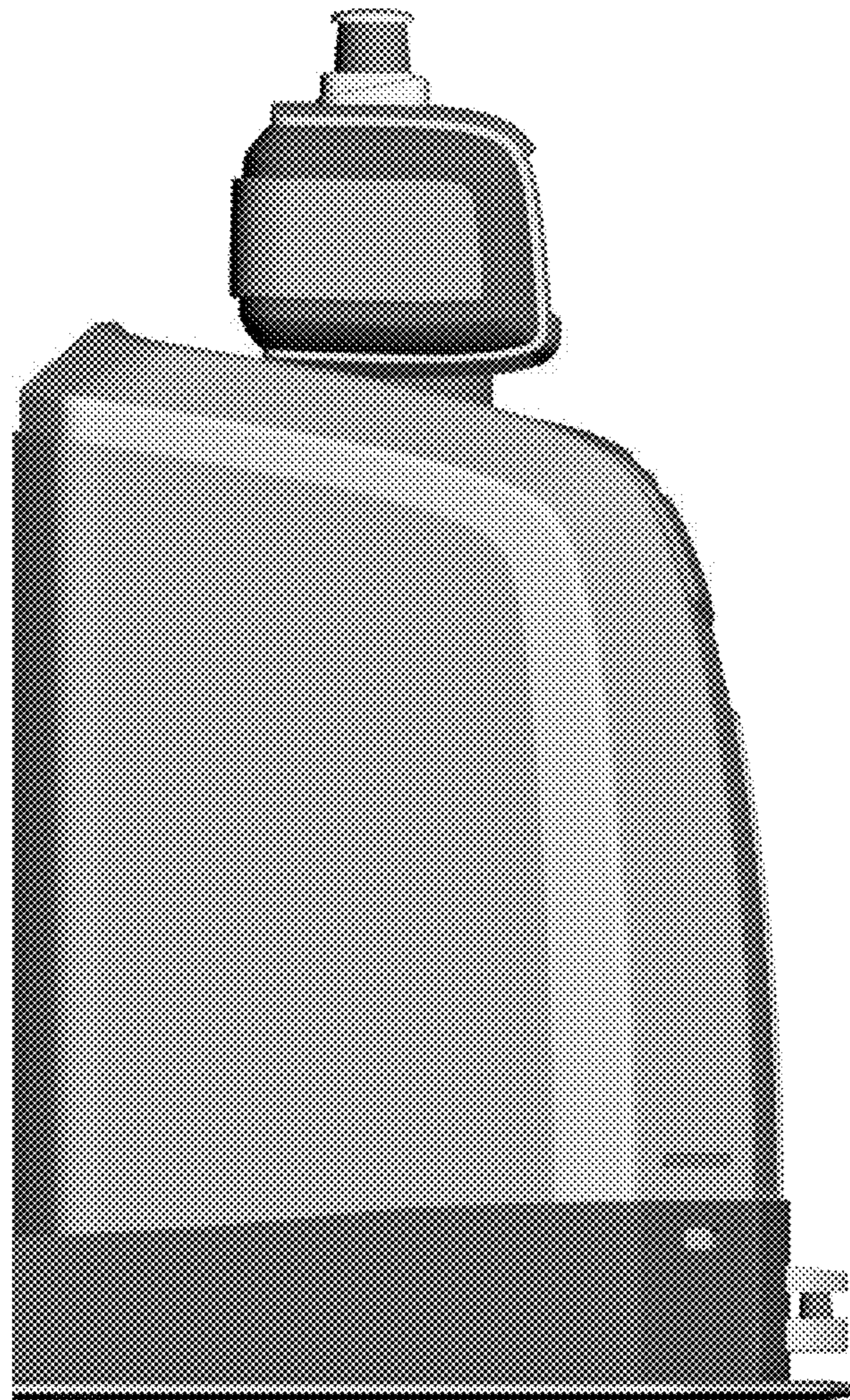


FIG. 21

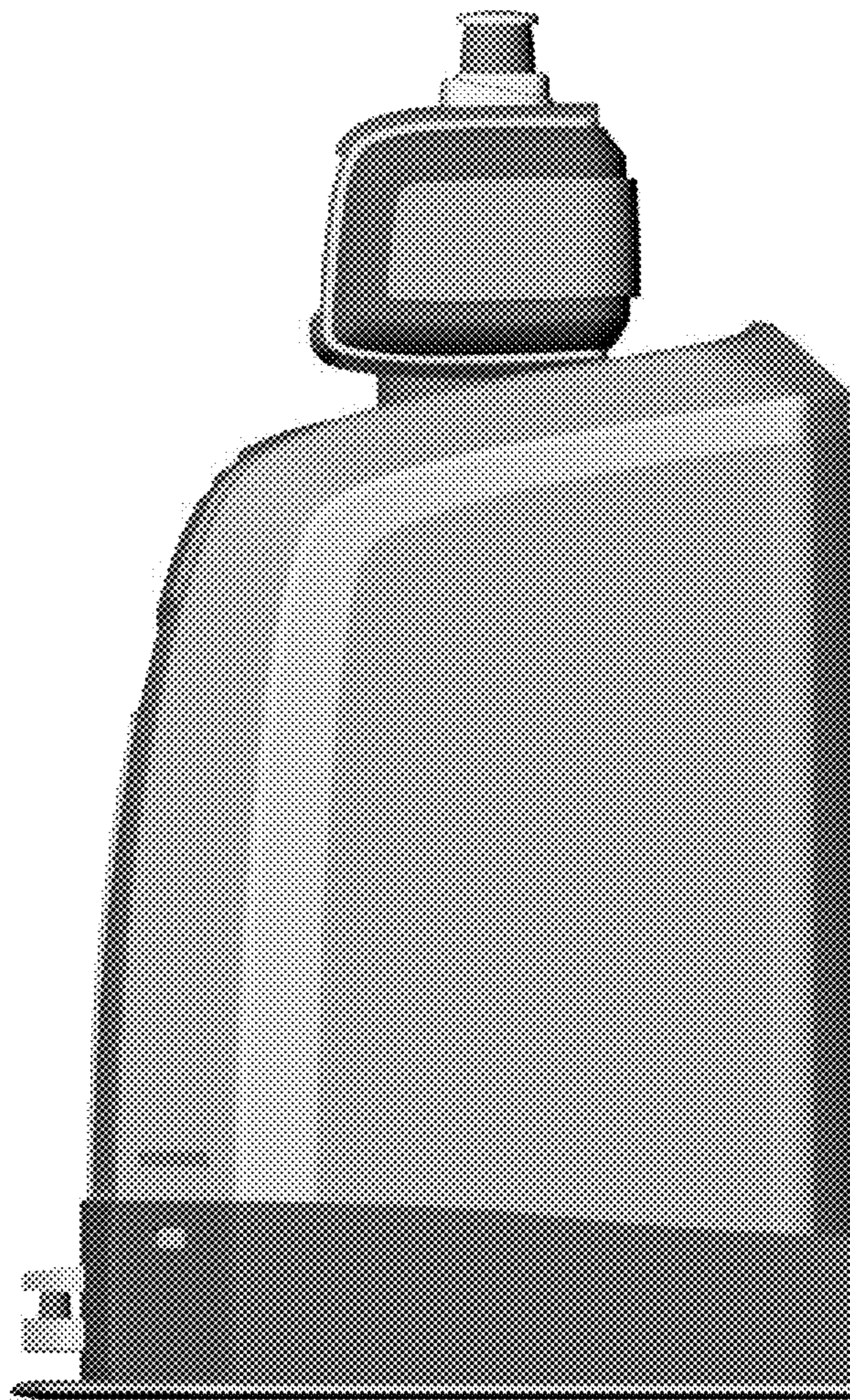


FIG. 22

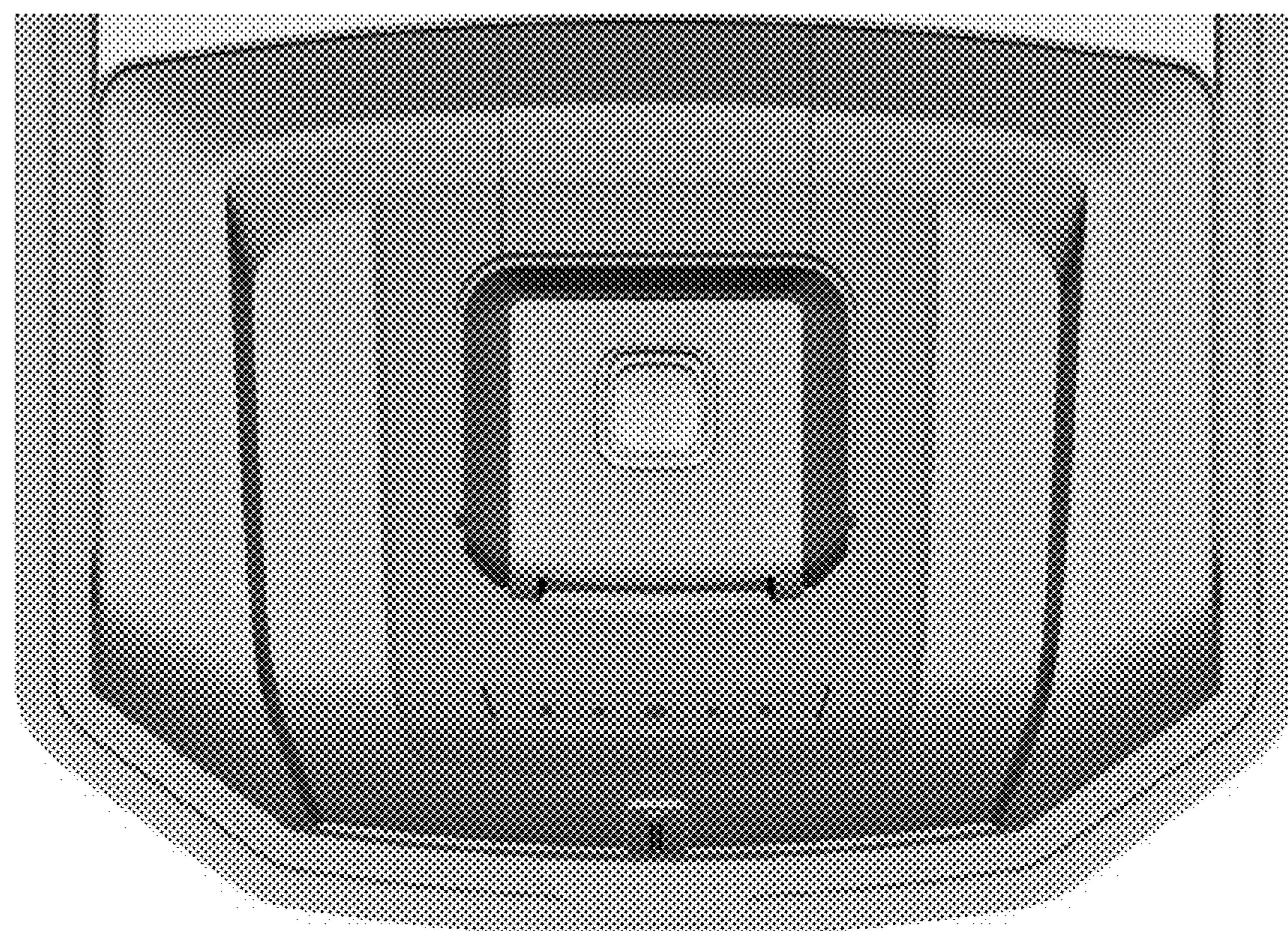


FIG. 23



FIG. 24