



US00D962316S

(12) **United States Design Patent**
Burgler et al.

(10) **Patent No.:** **US D962,316 S**
(45) **Date of Patent:** **** Aug. 30, 2022**

(54) **HEATING APPARATUS**

D780,240 S * 2/2017 Burgler D15/144
9,925,716 B2 * 3/2018 Niederberger B29C 66/872
D845,367 S * 4/2019 Rieser D15/144

(71) Applicant: **Leister Technologies AG**, Kagiswil
(CH)

(72) Inventors: **Roger Burgler**, Ennetlburgen (CH);
Fabian Meier, Olten (CH)

(73) Assignee: **Leister Technologies AG**, Kagiswil
(CH)

(**) Term: **15 Years**

(21) Appl. No.: **29/686,997**

(22) Filed: **Apr. 9, 2019**

(30) **Foreign Application Priority Data**

Oct. 25, 2018 (EM) 005808797

(51) **LOC (13) Cl.** **15-09**

(52) **U.S. Cl.**
USPC **D15/144**

(58) **Field of Classification Search**
USPC D8/29, 29.1, 29.2, 30; D15/122, 144,
D15/144.1, 144.2
CPC . B29C 65/0681; B29C 65/08; B29C 66/1142;
B29C 66/41; B29C 66/43
See application file for complete search history.

(56) **References Cited**

U.S. PATENT DOCUMENTS

D558,803 S * 1/2008 Gisler D15/144
D621,430 S * 8/2010 Christen D15/144
D642,604 S * 8/2011 Rohrer D15/144
D654,521 S * 2/2012 Flubacher D15/144
D669,106 S * 10/2012 Flubacher D15/144
D726,793 S * 4/2015 von Wyl D15/144
D737,876 S * 9/2015 von Wyl D15/144
D780,239 S * 2/2017 Burgler D15/144

OTHER PUBLICATIONS

Unidrive 500, posted on leister.com, no posted date given, no production date given, [online], [site visited Jun. 15, 2020], available from internet; URL: <https://www.leister.com/en/plastic-welding/products/automatic-welders/unidrive-500/unidrive-500> (Year: 2020).*

* cited by examiner

Primary Examiner — Michael C Stout

Assistant Examiner — Fritzgerald L Butac

(74) *Attorney, Agent, or Firm* — Charles H Jew

(57) **CLAIM**

The ornamental design for a heating apparatus, as shown and described.

DESCRIPTION

The file of this patent application contains at least one drawings/photograph executed in color. Copies of this patent with color drawing(s)/photograph(s) will be provided by the Patent and Trademark Office upon request and payment of the necessary fee.

FIG. 1 is a front perspective view of the heating apparatus showing our design;

FIG. 2 is a left side elevational view thereof;

FIG. 3 is a top plan view thereof;

FIG. 4 is a bottom plan view thereof;

FIG. 5 is a right side elevational view thereof;

FIG. 6 is a rear elevational view thereof; and,

FIG. 7 is a front elevational view thereof.

The green, blue, black and red colors shown in the drawings form part of the design.

1 Claim, 7 Drawing Sheets
(7 of 7 Drawing Sheet(s) Filed in Color)

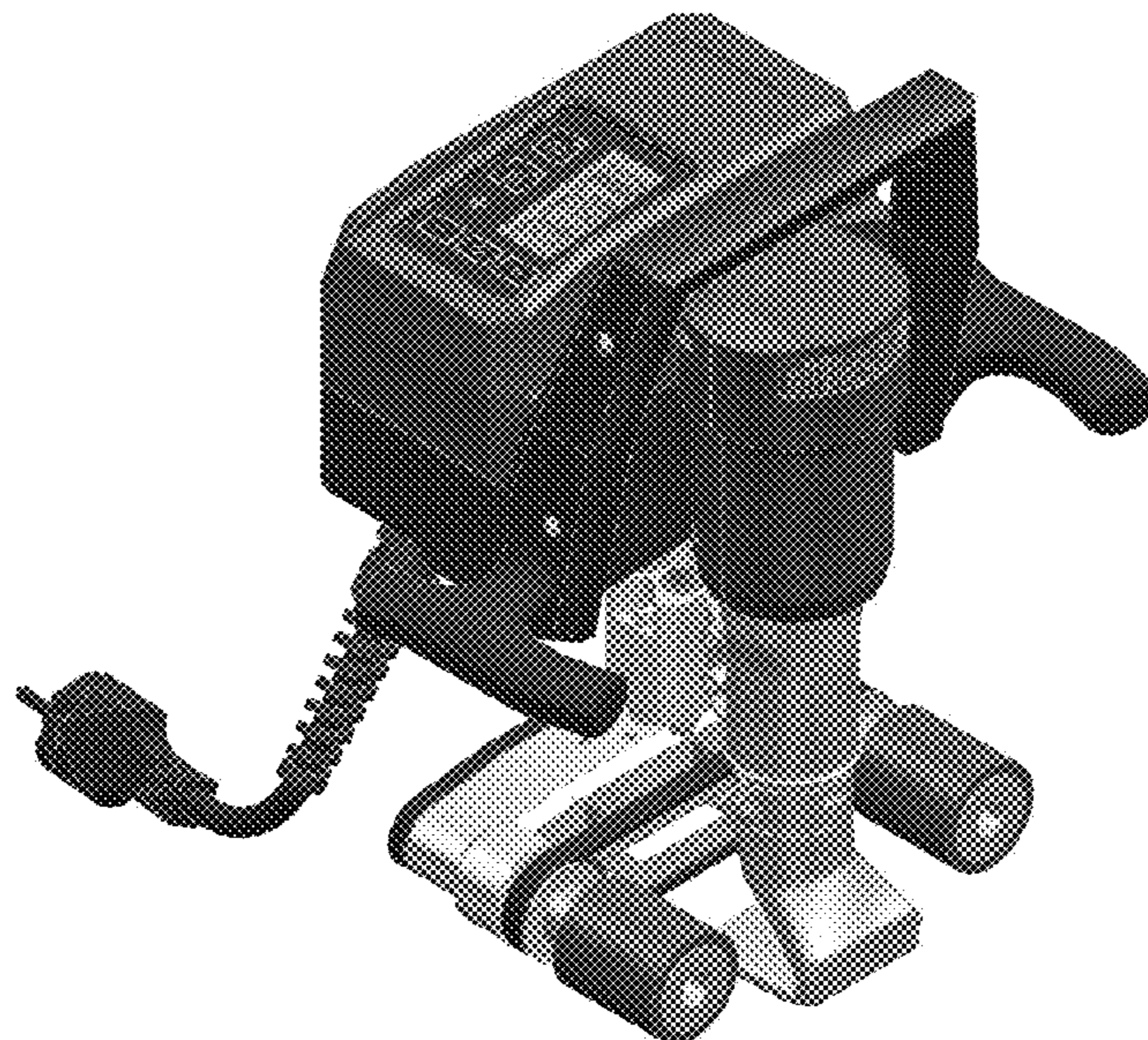




FIG. 1

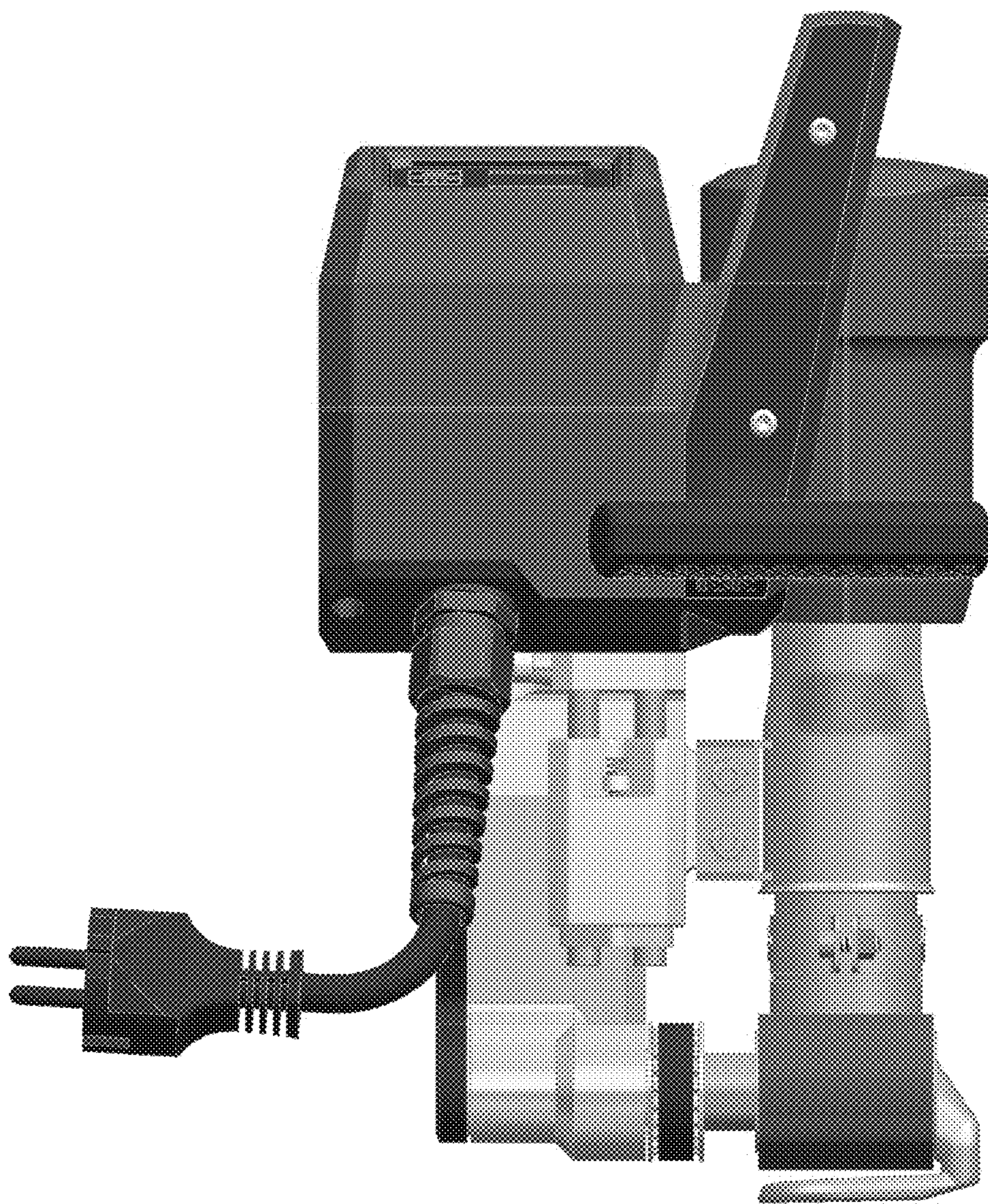


FIG. 2

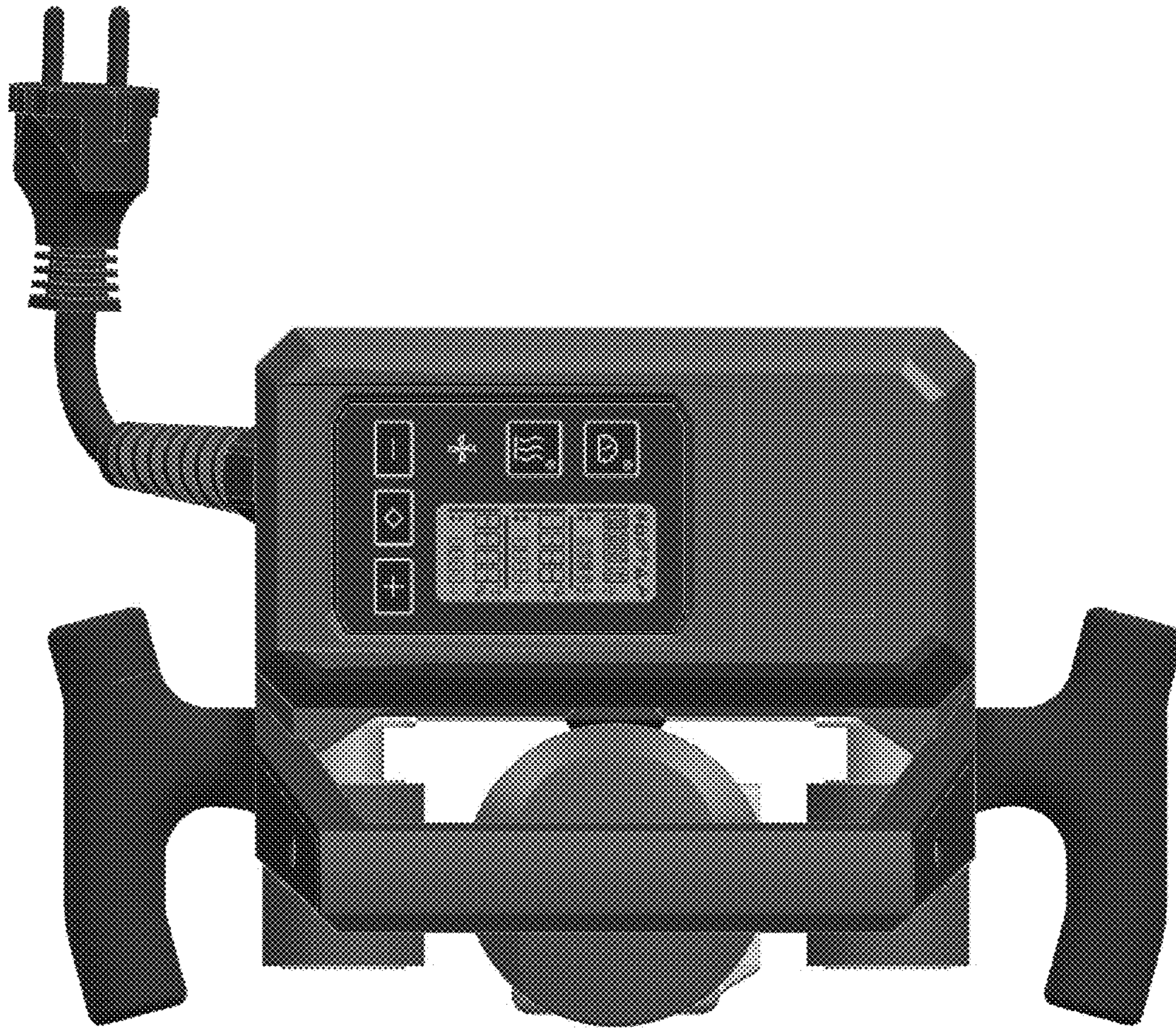


FIG. 3

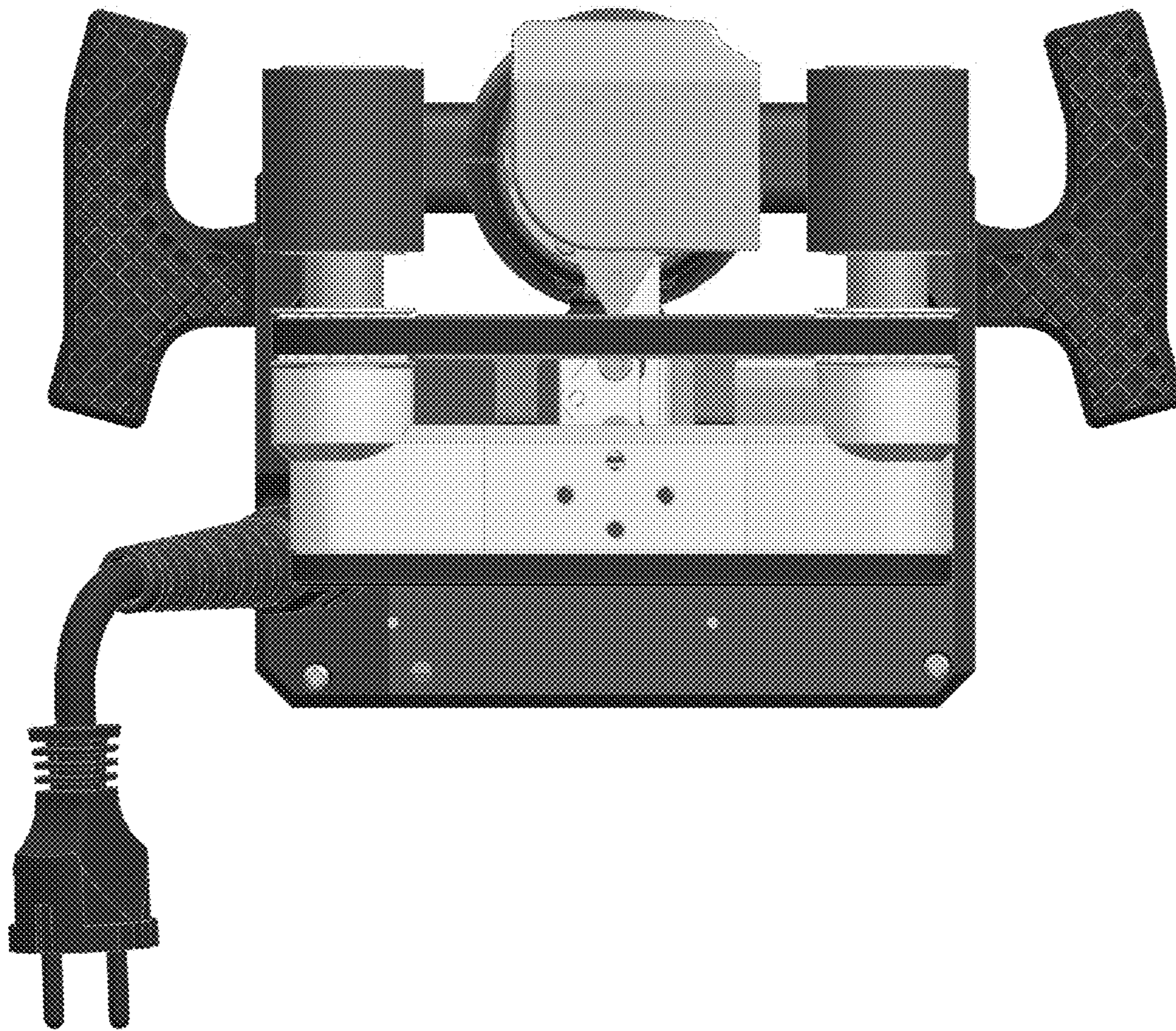


FIG. 4

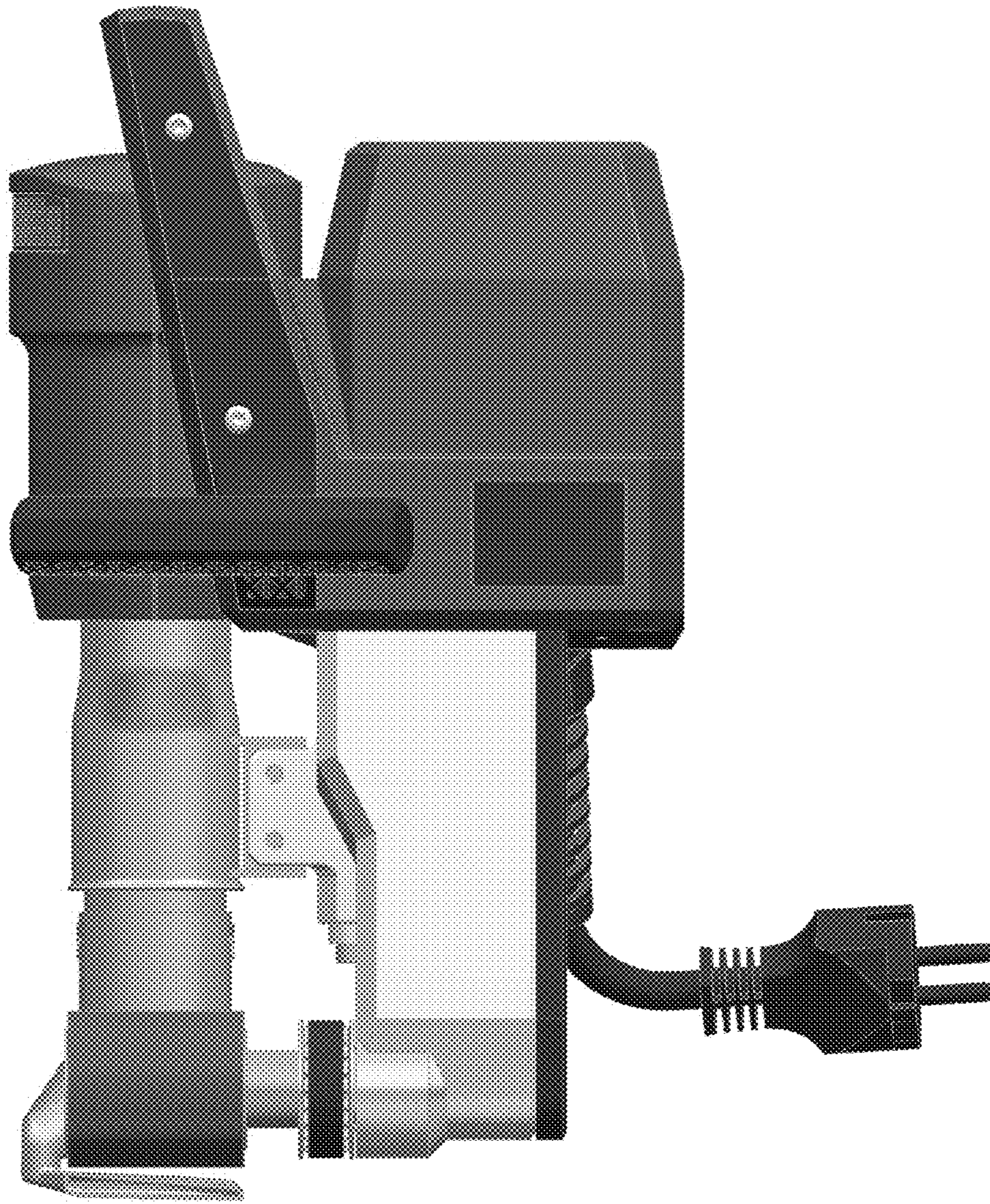


FIG. 5

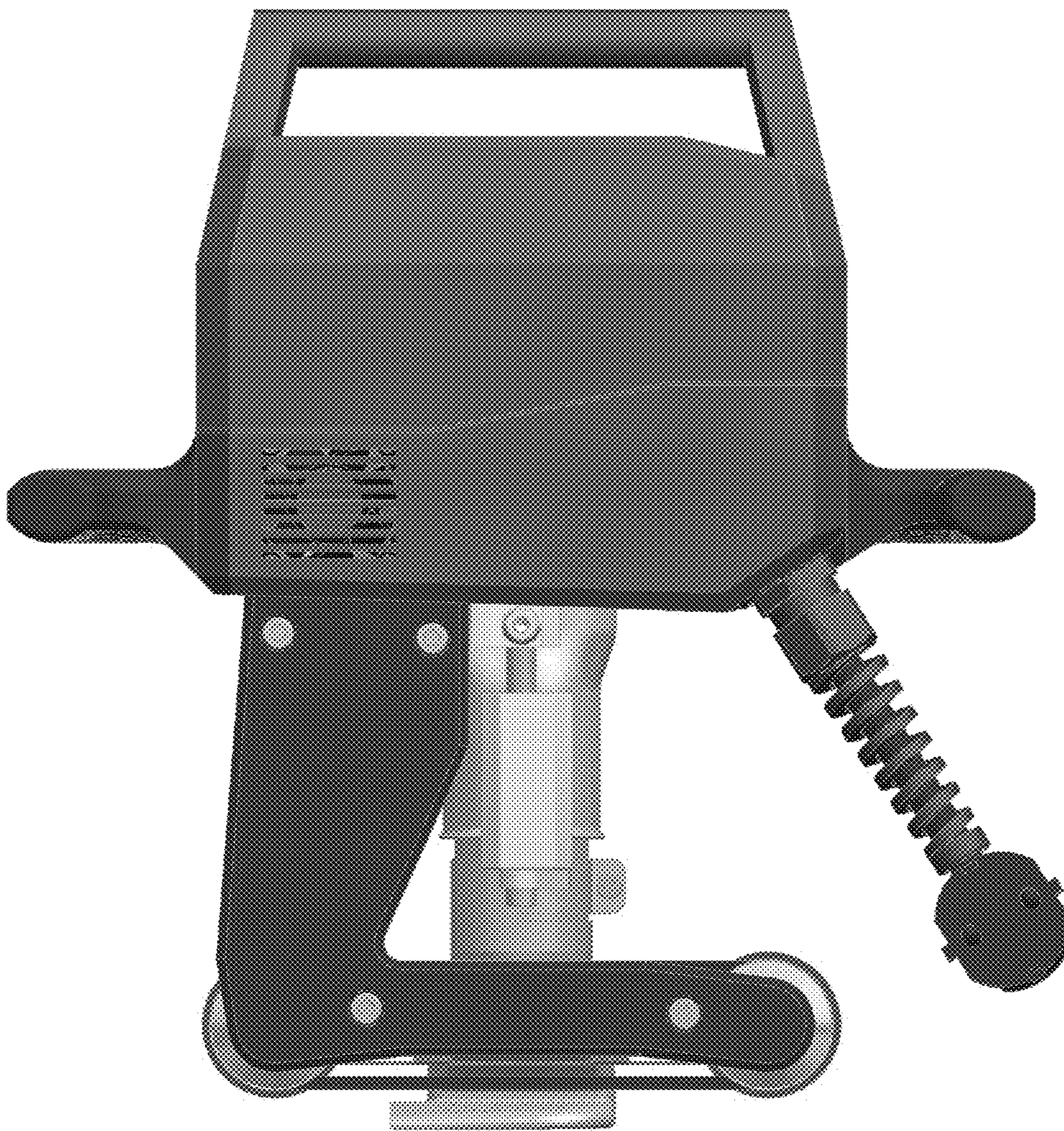


FIG. 6

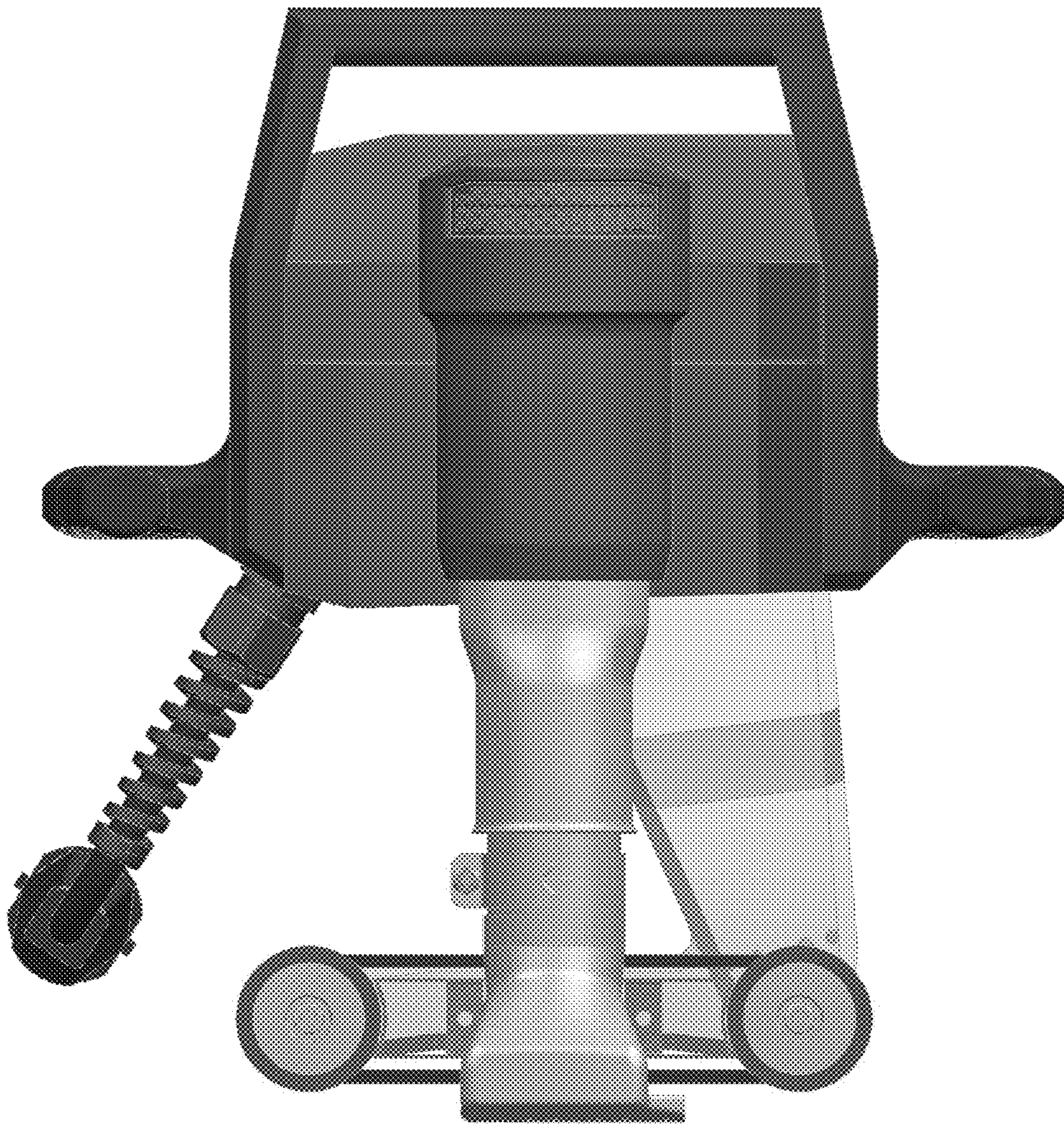


FIG. 7