



US00D962312S

(12) **United States Design Patent**
Niebling

(10) **Patent No.:** **US D962,312 S**

(45) **Date of Patent:** **** Aug. 30, 2022**

(54) **ICE MOLD**

(71) Applicant: **Spectrum Diversified Designs, LLC**,
Streetsboro, OH (US)

(72) Inventor: **Andrianna Niebling**, Cleveland, OH
(US)

(73) Assignee: **Spectrum Diversified Designs, LLC**,
Streetsboro, OH (US)

(**) Term: **15 Years**

(21) Appl. No.: **29/797,652**

(22) Filed: **Jul. 1, 2021**

(51) **LOC (13) Cl.** **15-07**

(52) **U.S. Cl.**
USPC **D15/90**

(58) **Field of Classification Search**
USPC D7/300, 368, 387, 603, 605, 608, 619,
D7/669, 672, 675, 676; D15/79-91;
D9/100

CPC F25C 2400/10; F25C 5/005; F25C 1/10;
F25C 2305/022; F25C 2600/04; F25C
2700/14; F25C 5/06; F25C 5/182; F25C
1/08; F25C 1/24; F25C 2400/14; F25C
2500/02; A47J 43/00; A47J 43/20; A47J
9/00; A47J 9/007

See application file for complete search history.

(56) **References Cited**

U.S. PATENT DOCUMENTS

- 3,287,807 A * 11/1966 Cornelis A01J 25/13
425/84
- 3,603,106 A * 9/1971 Ryan F28D 20/02
62/457.4
- D377,293 S * 1/1997 Husted D7/510
- D547,611 S * 7/2007 Seum D7/510
- D654,934 S * 2/2012 Cesarino D15/90
- D731,264 S * 6/2015 Frank D7/672
- D734,106 S * 7/2015 Frank D7/672

- D781,932 S * 3/2017 Yoshikawa D15/80
- D816,422 S * 5/2018 Nguyen D7/603
- D848,494 S * 5/2019 Hua D15/90
- D877,213 S * 3/2020 Lord D15/90
- D879,162 S * 3/2020 Murphy D15/89

(Continued)

OTHER PUBLICATIONS

Tovolo, Sports Ball Ice Molds, Football, Basketball, Baseball & Golf Sphere Ice Molds, Set of 4 Variety Pack, (first date available Mar. 5, 2021), Amazon.com, URL:<<https://www.amazon.com/Tovolo-Football-Basketball-Baseball-Dishwasher-Safe/dp/B08Y6T55SK>> (Year: 2021).*

(Continued)

Primary Examiner — Calvin E Vansant

Assistant Examiner — Mark T. Philipps

(74) *Attorney, Agent, or Firm* — Tucker Ellis LLP

(57) **CLAIM**

The ornamental design for an ice mold, as shown and described.

DESCRIPTION

FIG. 1 is a top perspective view of an ice mold showing my new design.

FIG. 2 is a bottom perspective view thereof.

FIG. 3 is a left side view thereof, a right side view being a mirror image.

FIG. 4 is a front view thereof, a rear view being a mirror image.

FIG. 5 is a top view thereof.

FIG. 6 is a top perspective exploded view showing a top portion and a bottom portion of the ice mold.

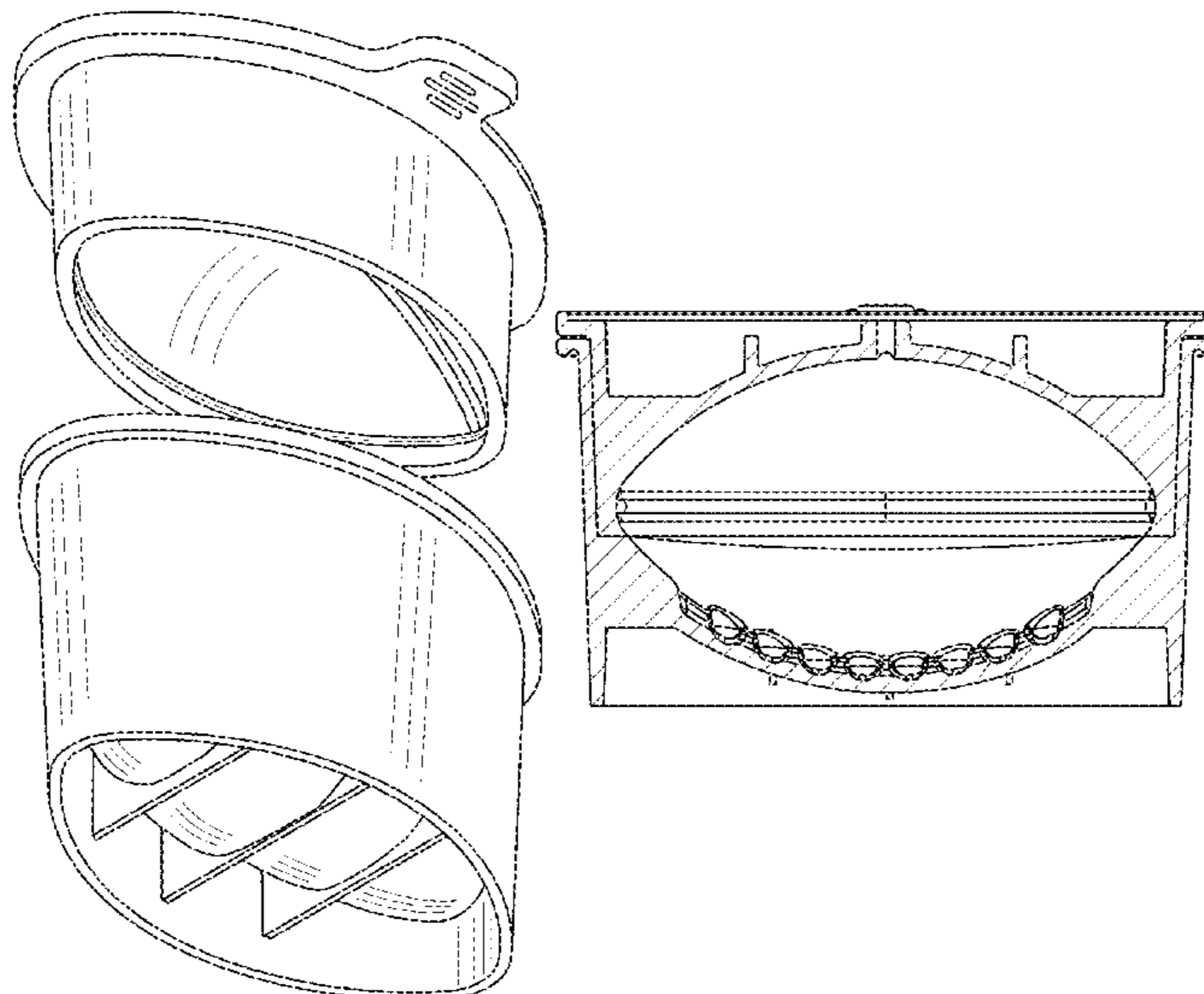
FIG. 7 is a bottom perspective exploded view thereof.

FIG. 8 is a cross-sectional view taken along line 8-8 in FIG. 3.

FIG. 9 is a bottom view of the top portion; and,

FIG. 10 is a top view of the bottom portion.

1 Claim, 10 Drawing Sheets



(56)

References Cited

U.S. PATENT DOCUMENTS

D891,873 S * 8/2020 Burns D7/603
D908,147 S * 1/2021 Steere D15/90
D910,723 S * 2/2021 Little D15/90
D914,773 S * 3/2021 Benlolo D15/90
D916,146 S * 4/2021 Wu D15/90
D916,936 S * 4/2021 Dittrich D15/90
2015/0021458 A1 * 1/2015 Zorovich B29C 33/0038
249/134
2019/0041114 A1 * 2/2019 Braidotti Cavalari .. F25C 1/243

OTHER PUBLICATIONS

Bella Amazing, Premium Ice Ball Molds, Round 2.5 Inch Ice Spheres., (first date available Oct. 18, 2018), Amazon.com, URL:<<https://www.amazon.com/PREMIUM-Spheres-Stackable-Melting-Whiskey/dp/B07FDQV624>> (Year: 2018).*

Lorisa, Ice Ball Molds, Slow Melting Round Ice Cube Maker, 2.5 Inch big Ice Spheres for Whiskey, (first available Jun. 2, 2021), Amazon.com, URL:<<https://www.amazon.com/LORSIA-Melting-Spheres-Cocktails-Beverages/dp/B093X4P744>> (Year: 2021).*

* cited by examiner

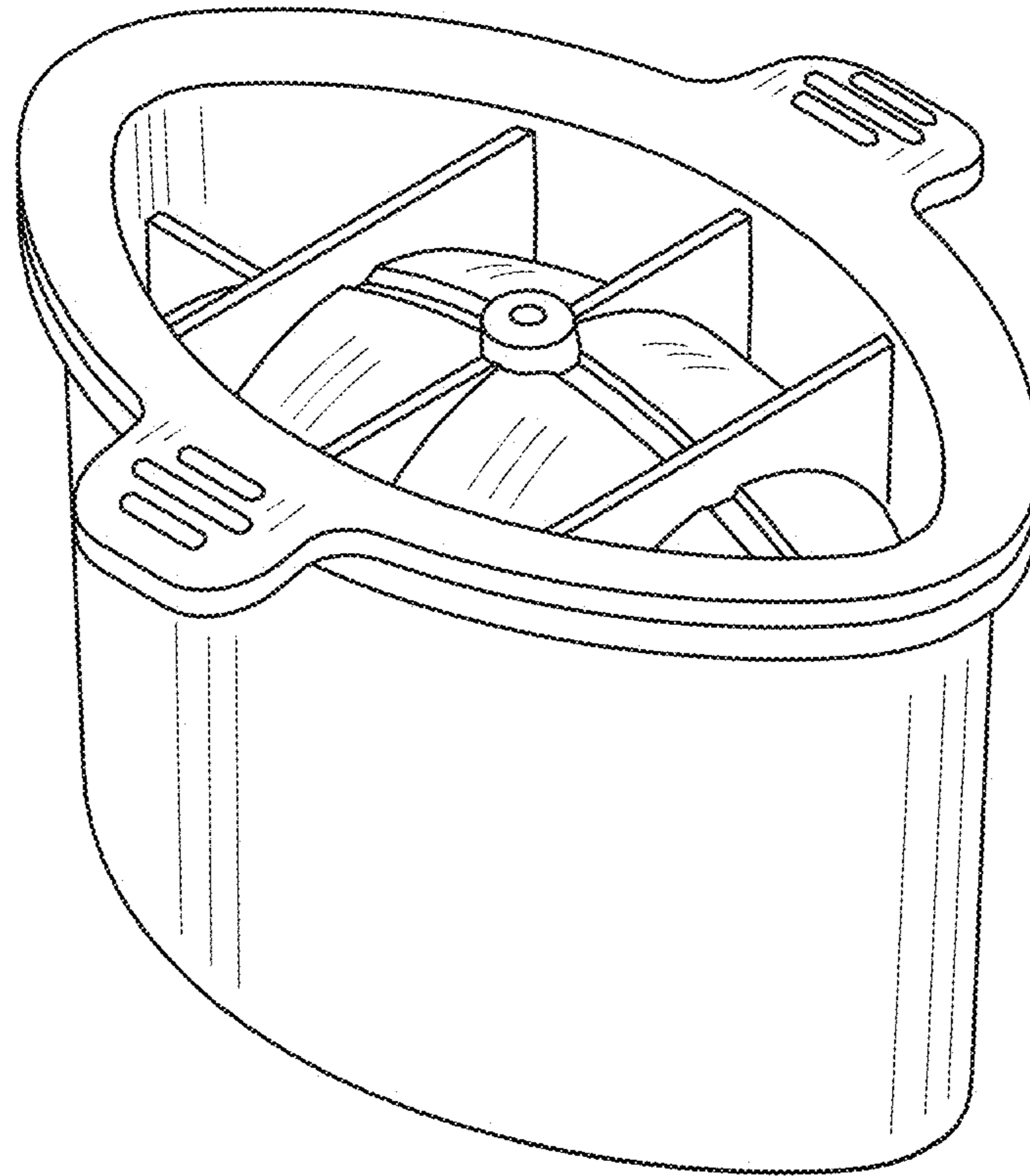


FIG. 1

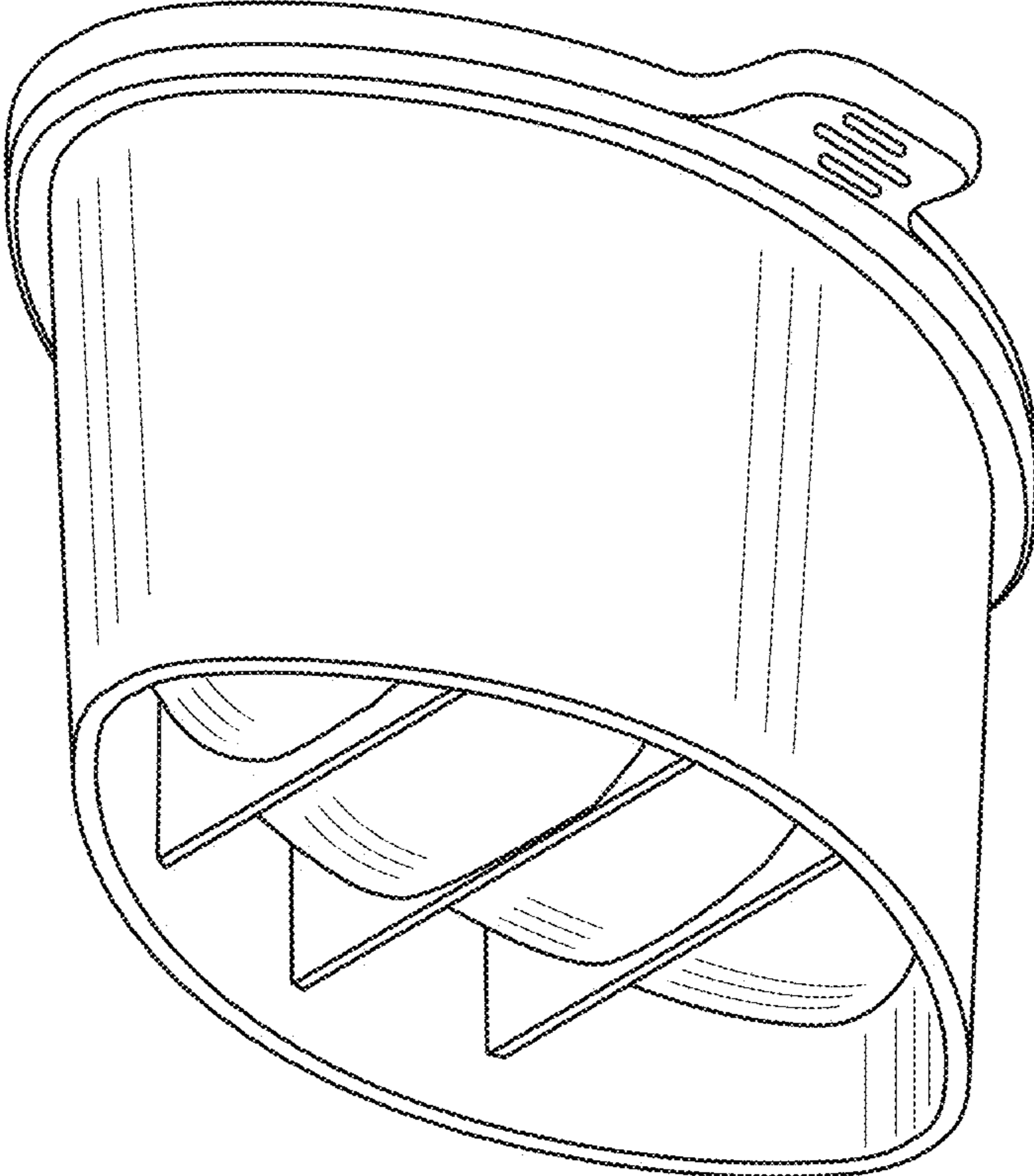


FIG. 2

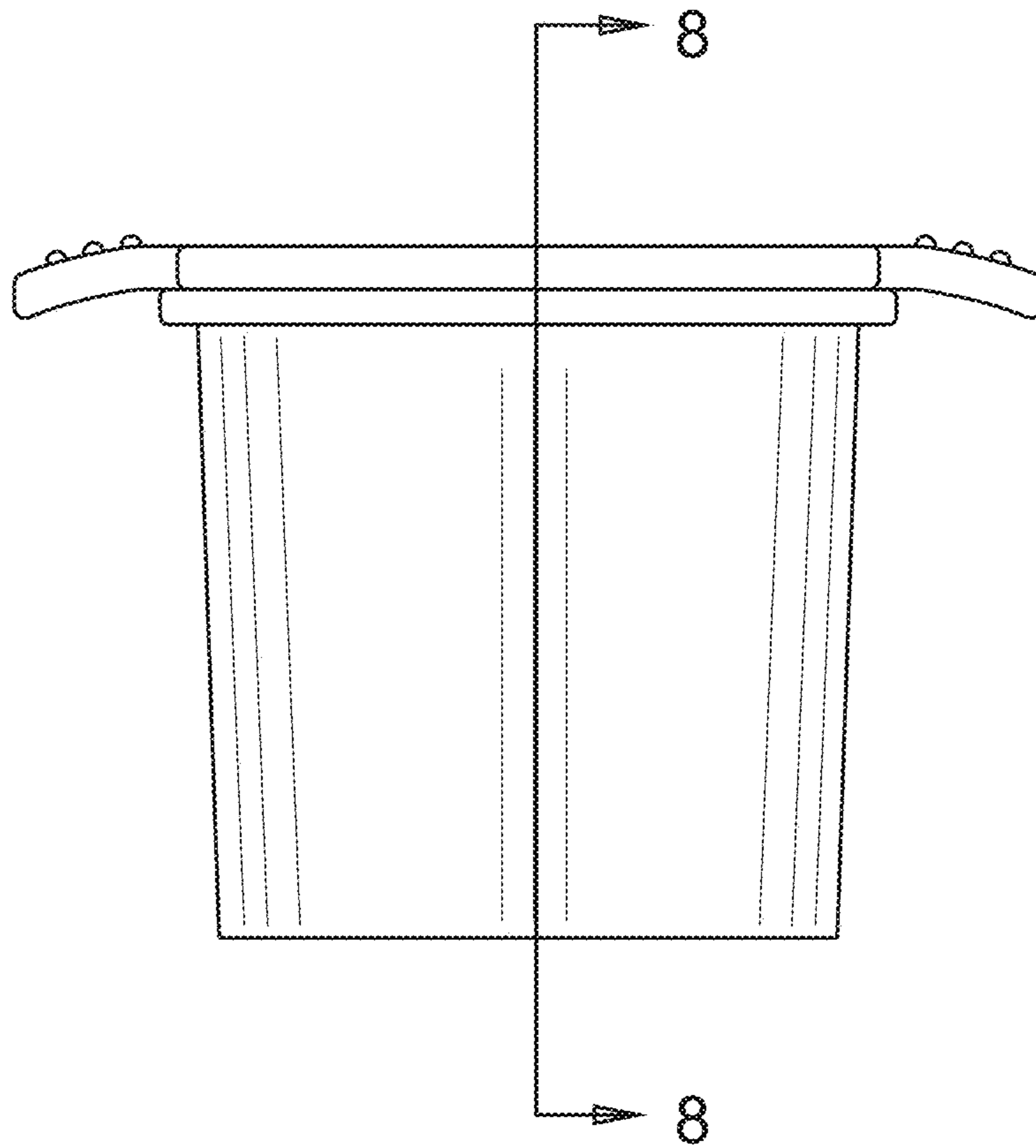


FIG. 3

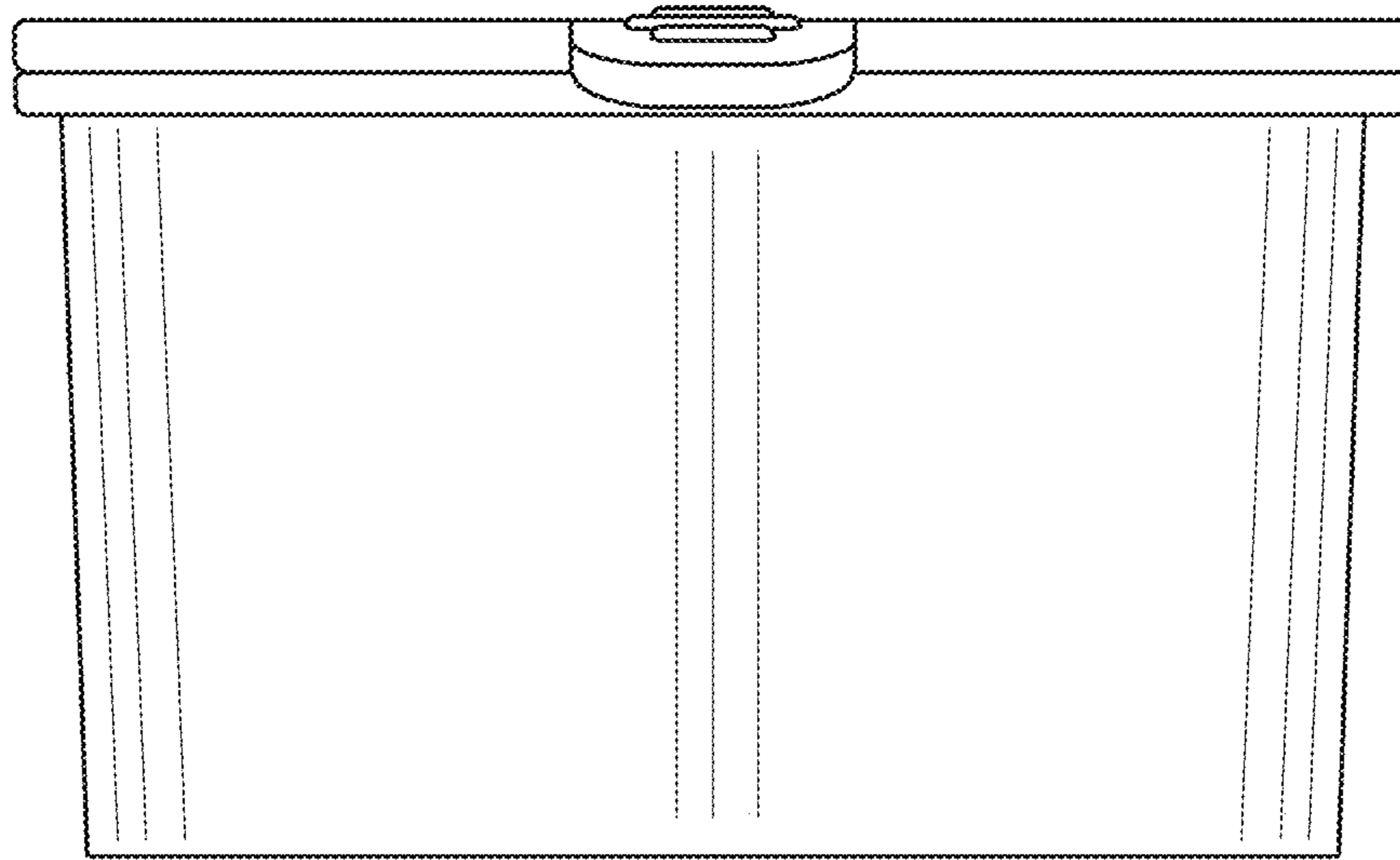


FIG. 4

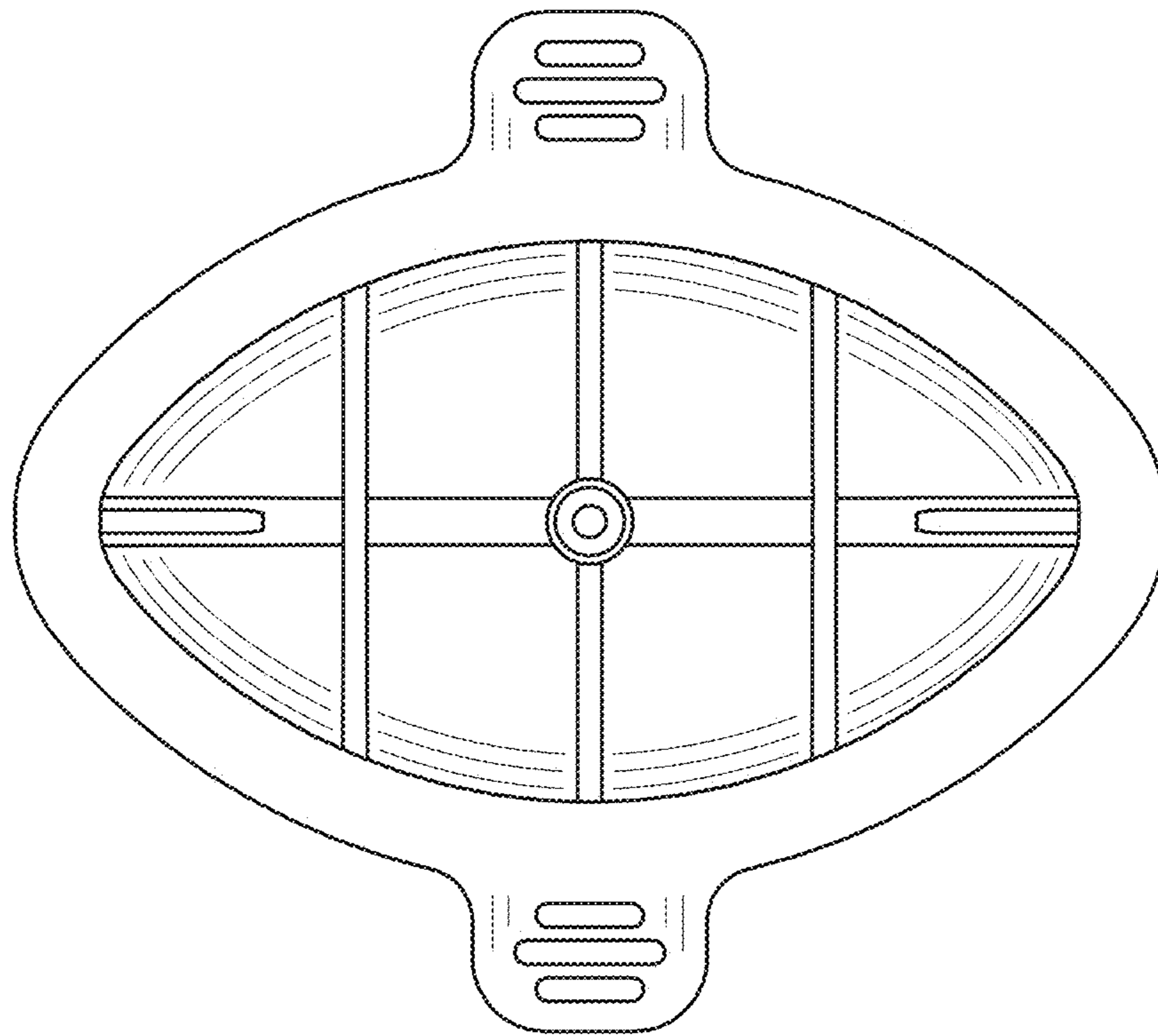


FIG. 5

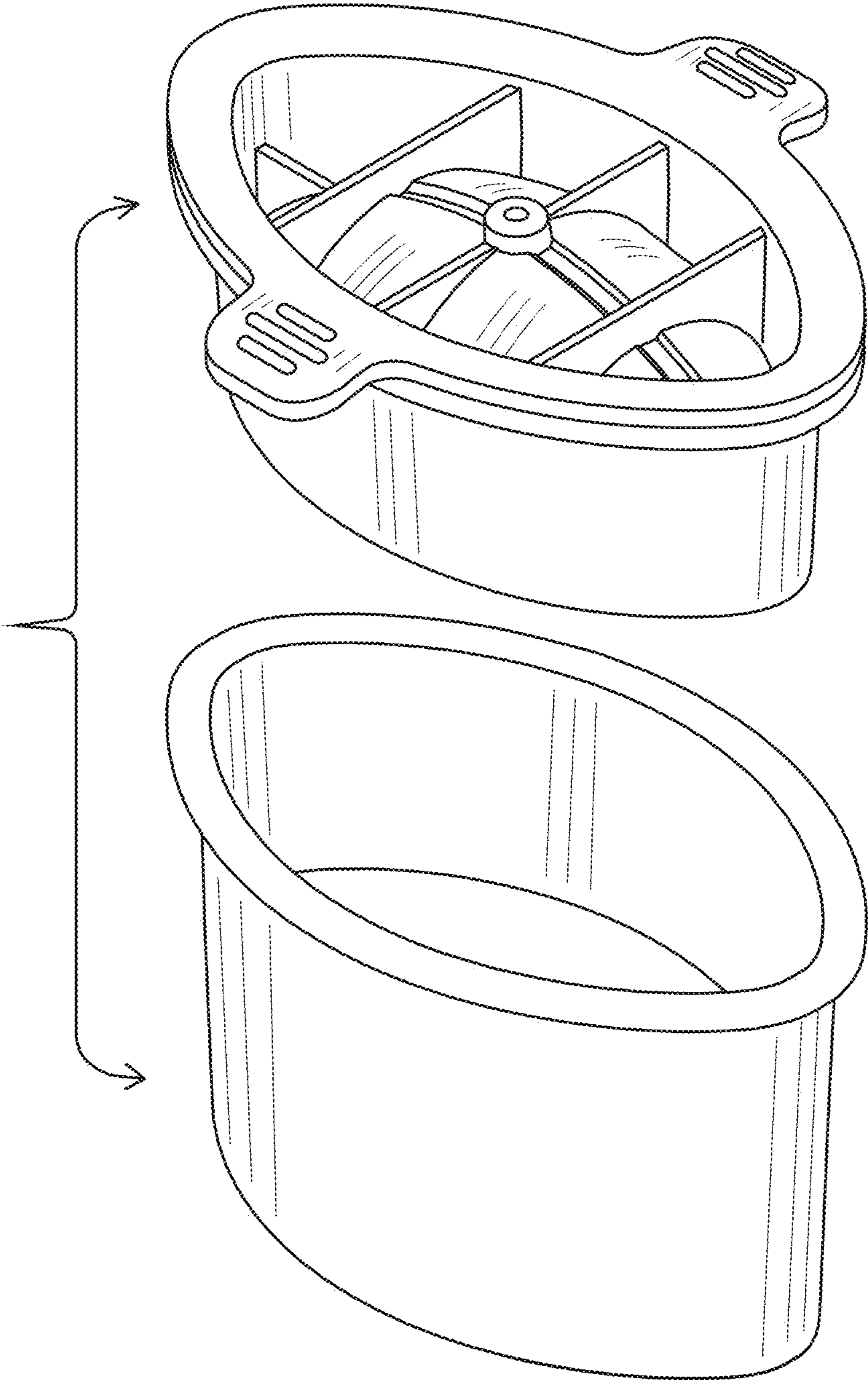


FIG. 6

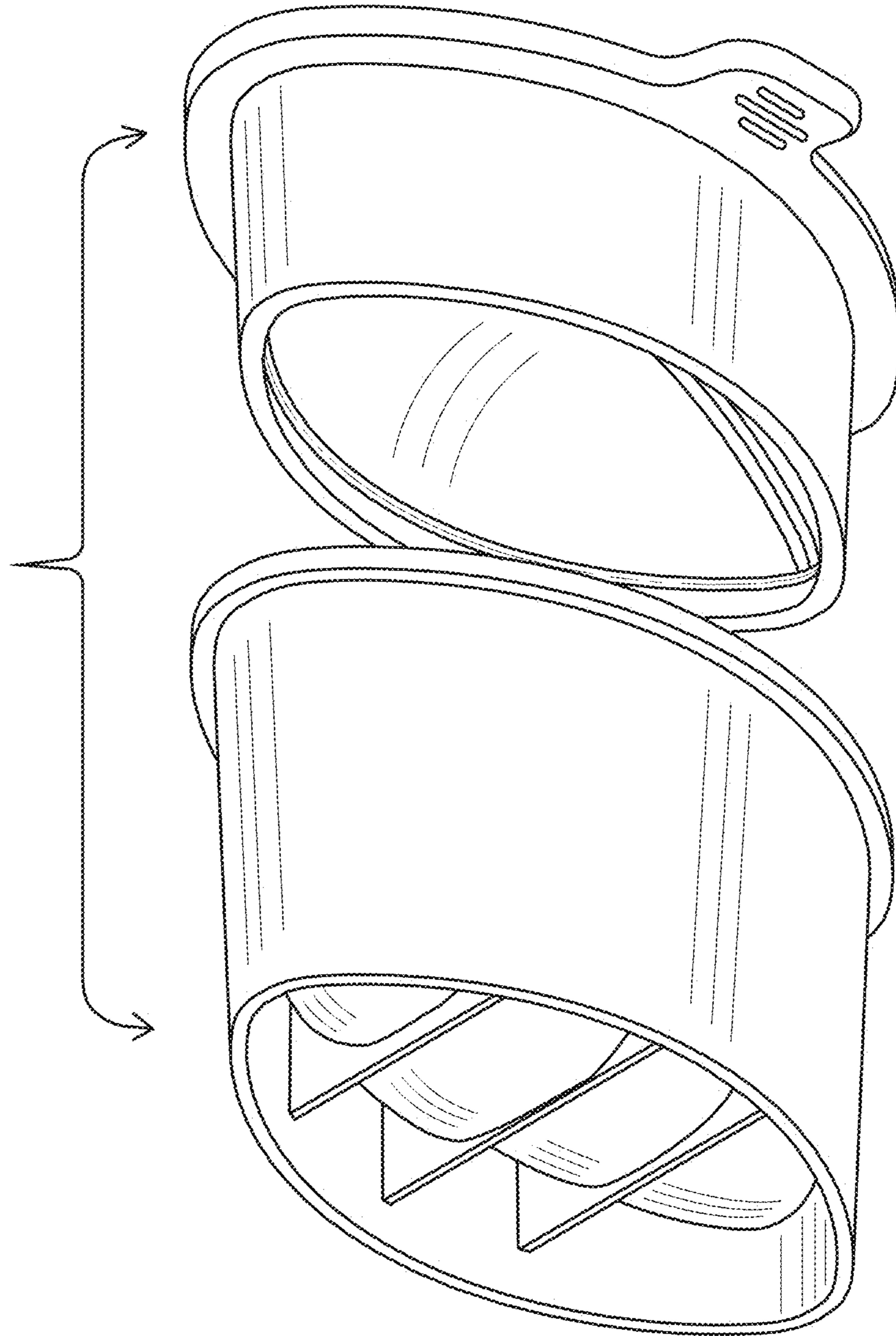


FIG. 7

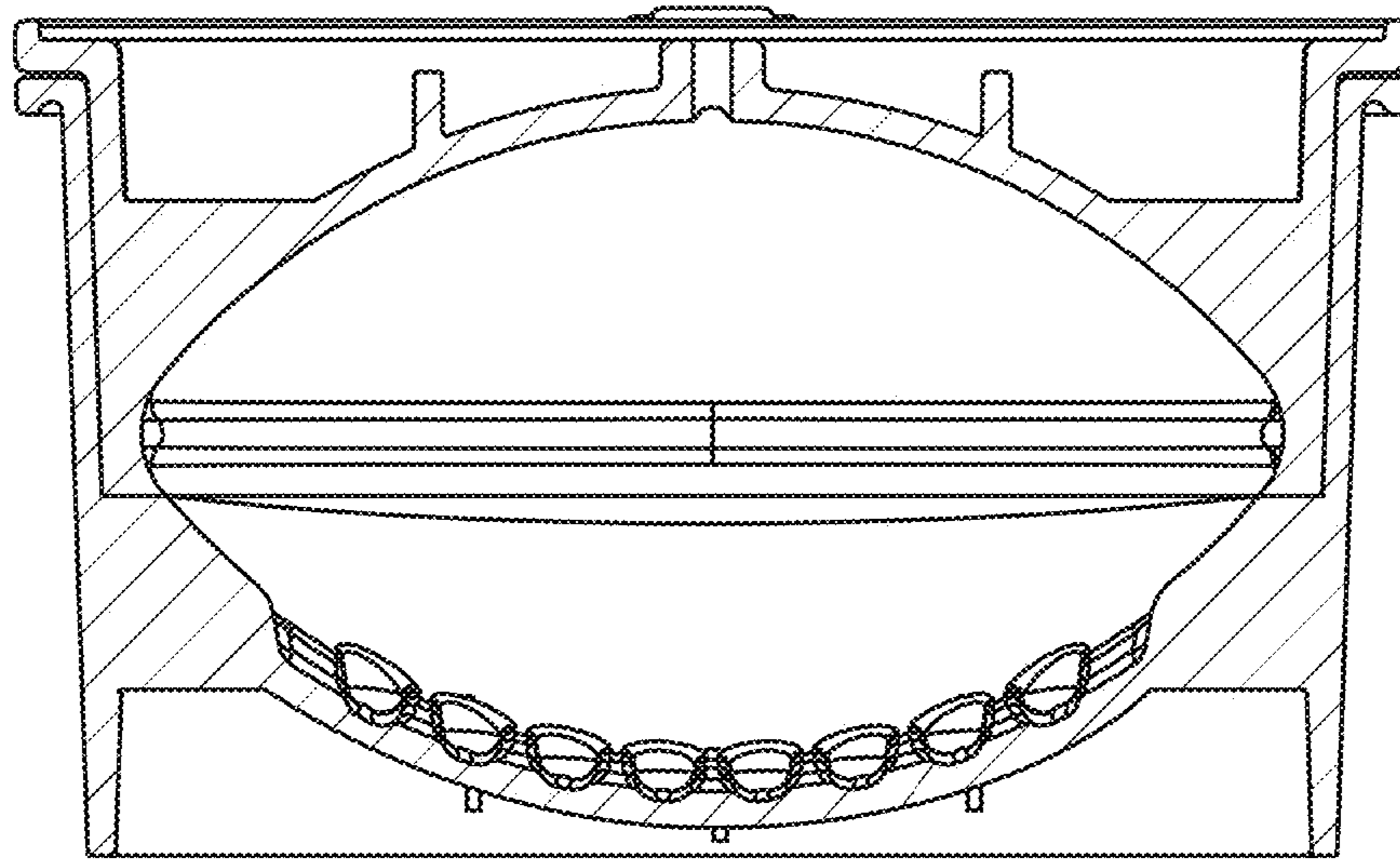


FIG. 8

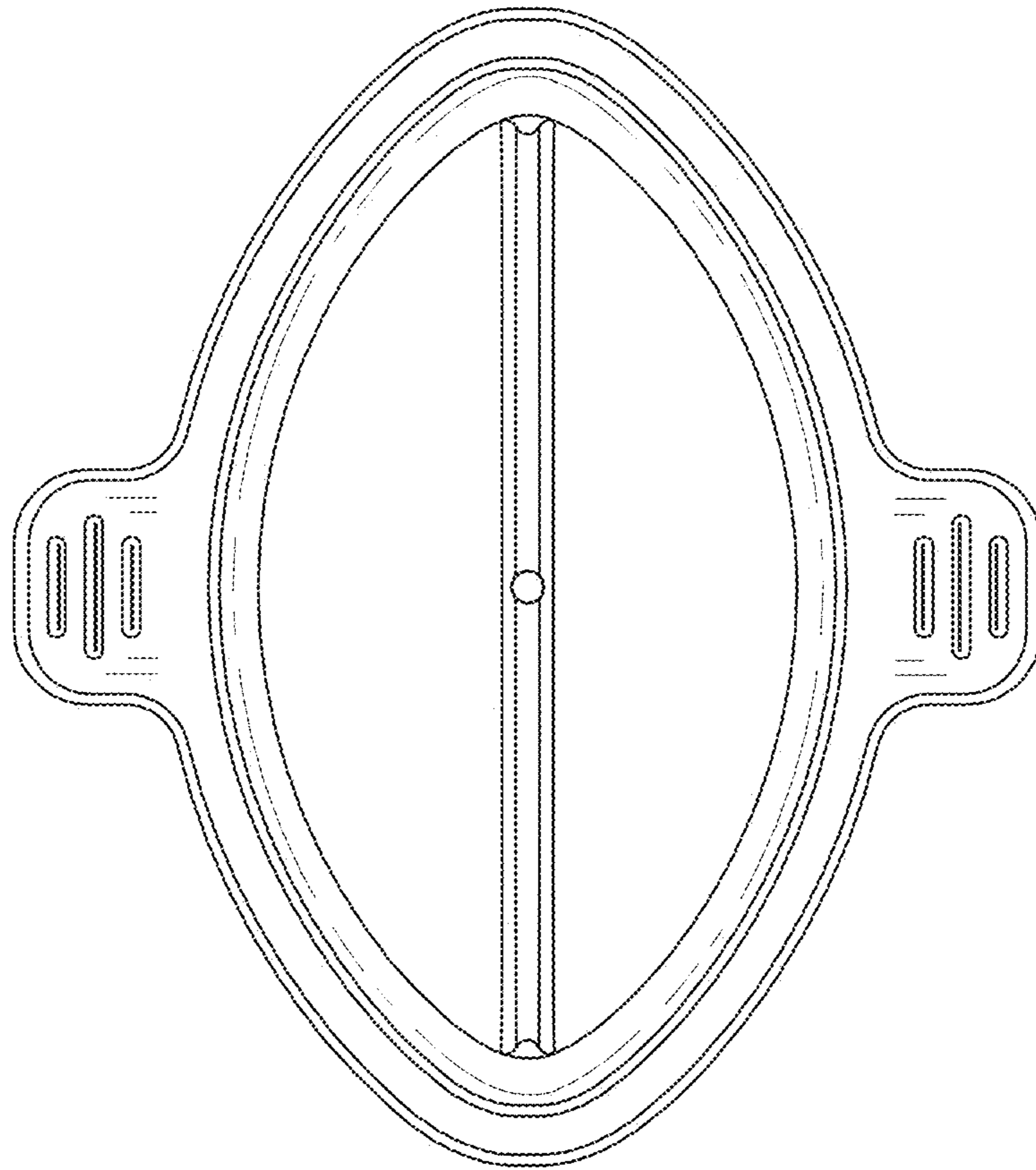


FIG. 9

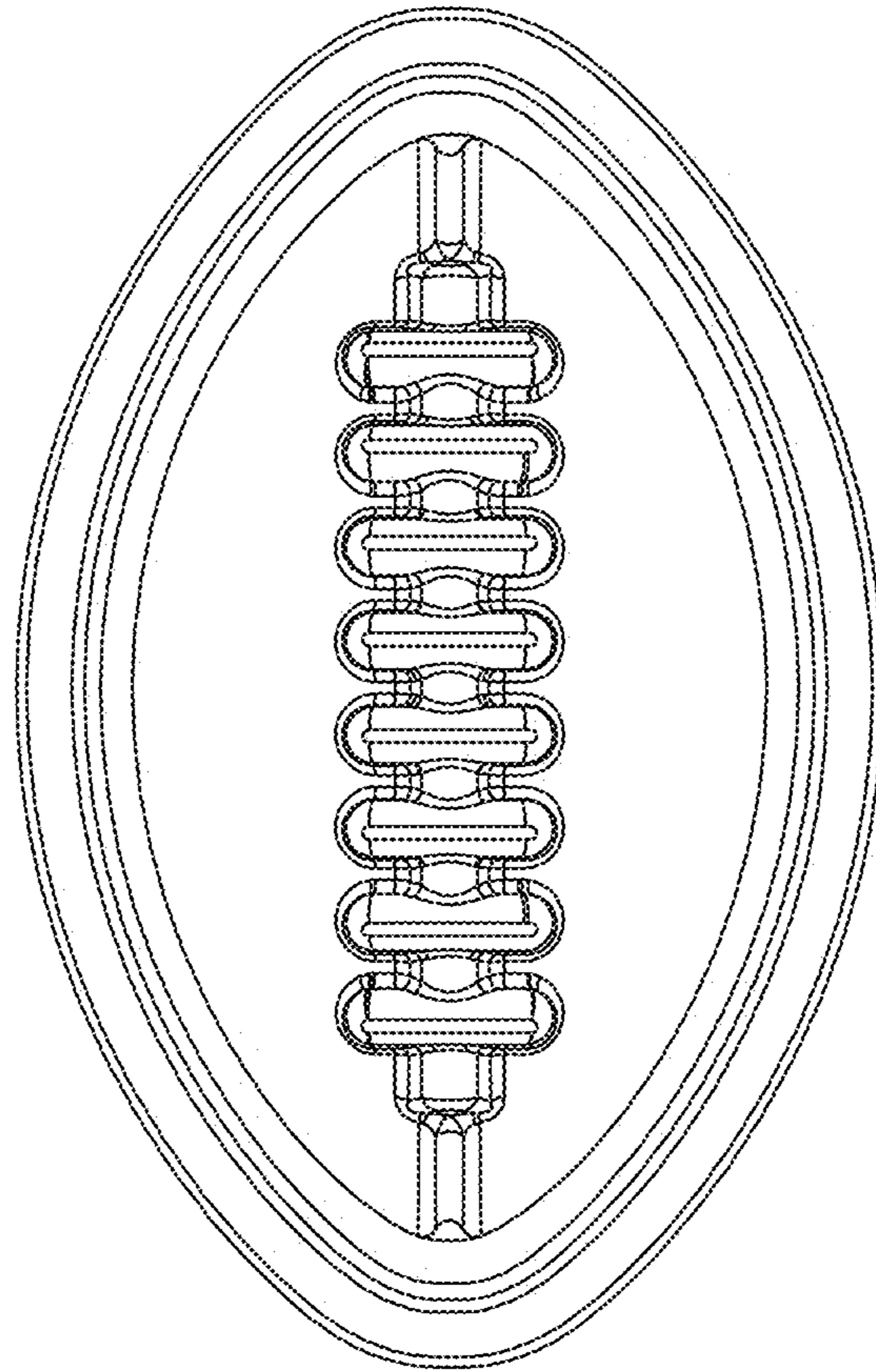


FIG. 10