



US00D962307S

(12) **United States Design Patent**
Han et al.

(10) **Patent No.:** **US D962,307 S**

(45) **Date of Patent:** **** Aug. 30, 2022**

(54) **REFRIGERATOR**

URL:<<https://www.ajmadison.com/cgi-bin/ajmadison/LRFDS3016.html>> (Year: 2021).*

(71) Applicant: **LG ELECTRONICS INC.**, Seoul (KR)

(Continued)

(72) Inventors: **Sungkyong Han**, Seoul (KR); **Kyukwan Choi**, Seoul (KR); **Sanghun Kim**, Seoul (KR); **Minsub Kim**, Seoul (KR); **Seungjin Yoon**, Seoul (KR); **Jihyun Lee**, Seoul (KR); **Yezo Yun**, Seoul (KR)

Primary Examiner — Calvin E Vansant
Assistant Examiner — Mark T. Philipps
(74) *Attorney, Agent, or Firm* — Birch, Stewart, Kolasch & Birch, LLP

(73) Assignee: **LG ELECTRONICS INC.**, Seoul (KR)

(57) **CLAIM**

The ornamental design for a refrigerator, as shown and described.

(**) Term: **15 Years**

DESCRIPTION

(21) Appl. No.: **29/782,198**

FIG. 1 is a front perspective view of the refrigerator showing our new design;

(22) Filed: **May 5, 2021**

FIG. 2 is a front view thereof;

(30) **Foreign Application Priority Data**

FIG. 3 is a back view thereof;

Nov. 9, 2020 (KR) 30-2020-0054004

FIG. 4 is a left side view thereof;

(51) **LOC (13) Cl.** **15-07**

FIG. 5 is a right side view thereof;

(52) **U.S. Cl.**
USPC **D15/86; D15/81; D15/91**

FIG. 6 is a top plan view thereof;

(58) **Field of Classification Search**
USPC **D15/79-91**

FIG. 7 is a bottom plan view thereof;

(Continued)

FIG. 8 is a bottom perspective view thereof;

(56) **References Cited**

FIG. 9 is a partial enlarged view of the region 9 taken from FIG. 8;

U.S. PATENT DOCUMENTS

D603,429 S * 11/2009 Lee D15/85

D657,805 S * 4/2012 Cho D15/86

(Continued)

FIG. 10 is a partial enlarged view of the region 10 taken from FIG. 1;

FIG. 11 is a partial enlarged view of the region 11 taken from FIG. 1;

FIG. 12 is a perspective view showing the design in a state of use; and,

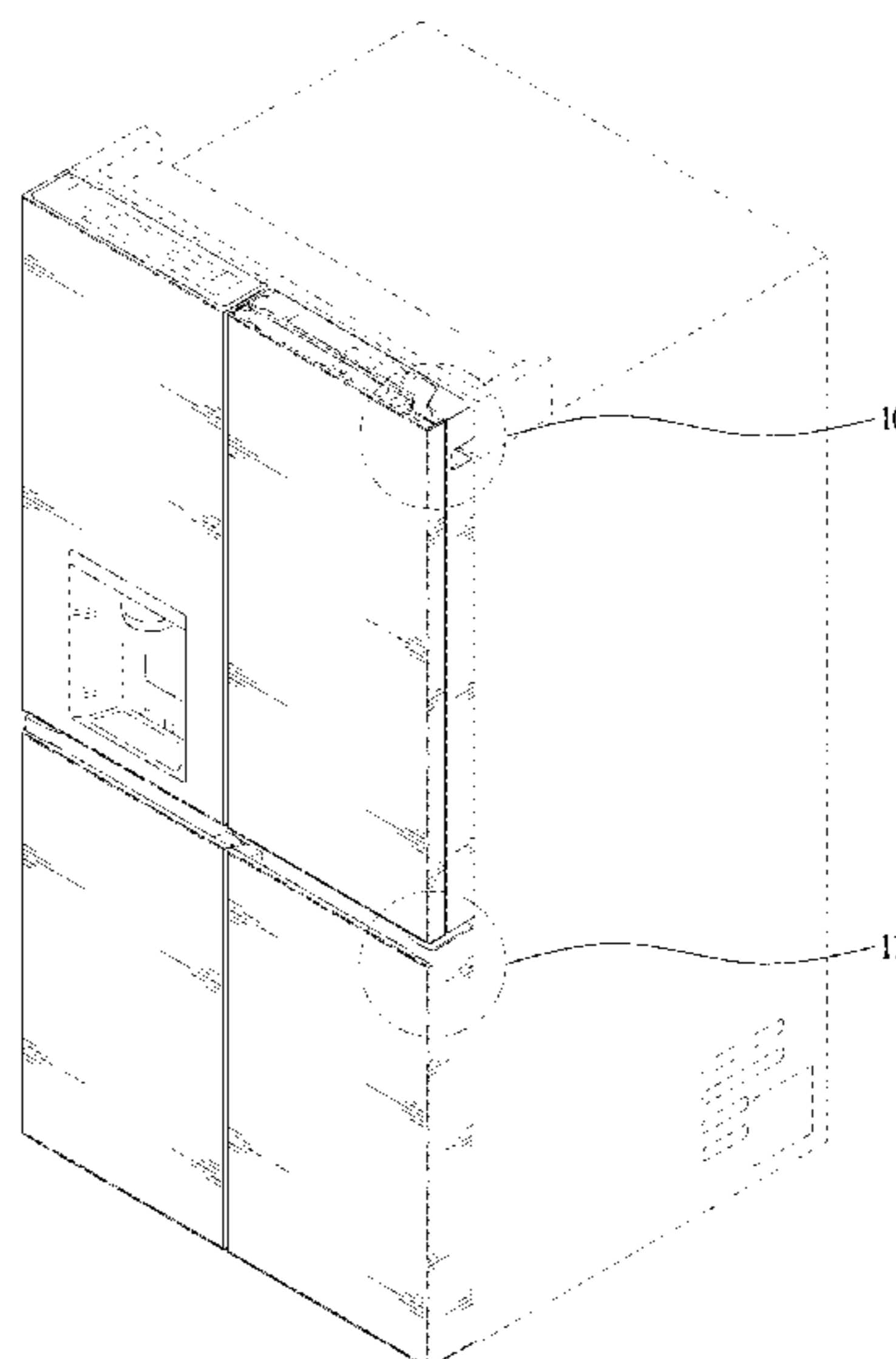
FIG. 13 is a perspective view showing the design in another state of use with the front panel removed for clarity.

The broken lines depict portions of the refrigerator that form no part of the claimed design. The long dash-short dash-long dash broken lines depict the boundary of the enlarged view on FIG. 9, taken from FIG. 8, and FIGS. 10-11, taken from FIG. 1, forming no part of the claimed design.

OTHER PUBLICATIONS

LG Electronics, LRFDS3016S 36 Inch Smart French Door Craft Ice Refrigerator, (site visited Dec. 16, 2021), AJ Madison website,

1 Claim, 13 Drawing Sheets



(58) **Field of Classification Search**

CPC F25D 2323/021; F25D 2323/024; F25D 29/00; F25D 27/005; F25D 29/005; F25D 17/042; F25D 2325/021; F25D 11/00; F25D 11/02; F25D 11/025; F25D 23/00; F25D 23/02; F25D 23/04; F25D 23/12; F25D 23/028; F25D 25/02; F25D 25/021; F25D 25/022; F25D 25/024; F25D 25/025; A47F 3/04; A47F 3/0404

See application file for complete search history.

D888,110	S	*	6/2020	Lee	D15/85
D905,767	S	*	12/2020	Lee	D15/89
D921,064	S	*	6/2021	Lee	D15/89
D921,065	S	*	6/2021	Lee	D15/89
D921,711	S	*	6/2021	Lee	D15/85
D921,714	S	*	6/2021	Yoon	D15/86
D933,110	S	*	10/2021	Lee	D15/86
2015/0069900	A1	*	3/2015	Lim	F25D 23/025 312/405
2015/0225225	A1	*	8/2015	Tae	B67D 1/0858 222/146.2

(56)

References Cited

U.S. PATENT DOCUMENTS

D658,215	S	*	4/2012	Seo	D15/86
D715,335	S	*	10/2014	Kim	D15/85
D729,285	S	*	5/2015	Seo	D15/85
D740,335	S	*	10/2015	Hwang	D15/89
D741,380	S	*	10/2015	Ogg	D15/86
D786,317	S	*	5/2017	Kim	D15/85
D798,915	S	*	10/2017	Vicari	D15/86
D807,410	S	*	1/2018	Cho	D15/86
D814,533	S	*	4/2018	Kim	D15/85
D832,312	S	*	10/2018	Kim	D15/86
D838,297	S	*	1/2019	Choi	D15/81
D847,875	S	*	5/2019	Kim	D15/85
D869,518	S	*	12/2019	Lee	D15/85

OTHER PUBLICATIONS

Samsung, RF23A9671SR 36 Inch Counter Depth 4-Door Flex™ Smart Refrigerator, (site visited Dec. 16, 2021), AJ Madison website, URL:<<https://www.ajmadison.com/cgi-bin/ajmadison/RF23A9671.html>> (Year: 2021).*

Cafe, CQE28DM5NS5 36 Inch 4-Door French Door Smart Refrigerator, (site visited Dec. 16, 2021), AJ Madison website, URL:<<https://www.ajmadison.com/cgi-bin/ajmadison/CQE28DM5NS5.html>> (Year: 2021).*

Dacor, DRF36C700SR 36 Inch Smart French Door Refrigerator, (site visited Dec. 16, 2021), AJ Madison website, URL:<<https://www.ajmadison.com/cgi-bin/ajmadison/DRF36C700X.html>> (Year: 2021).*

* cited by examiner

FIG. 1

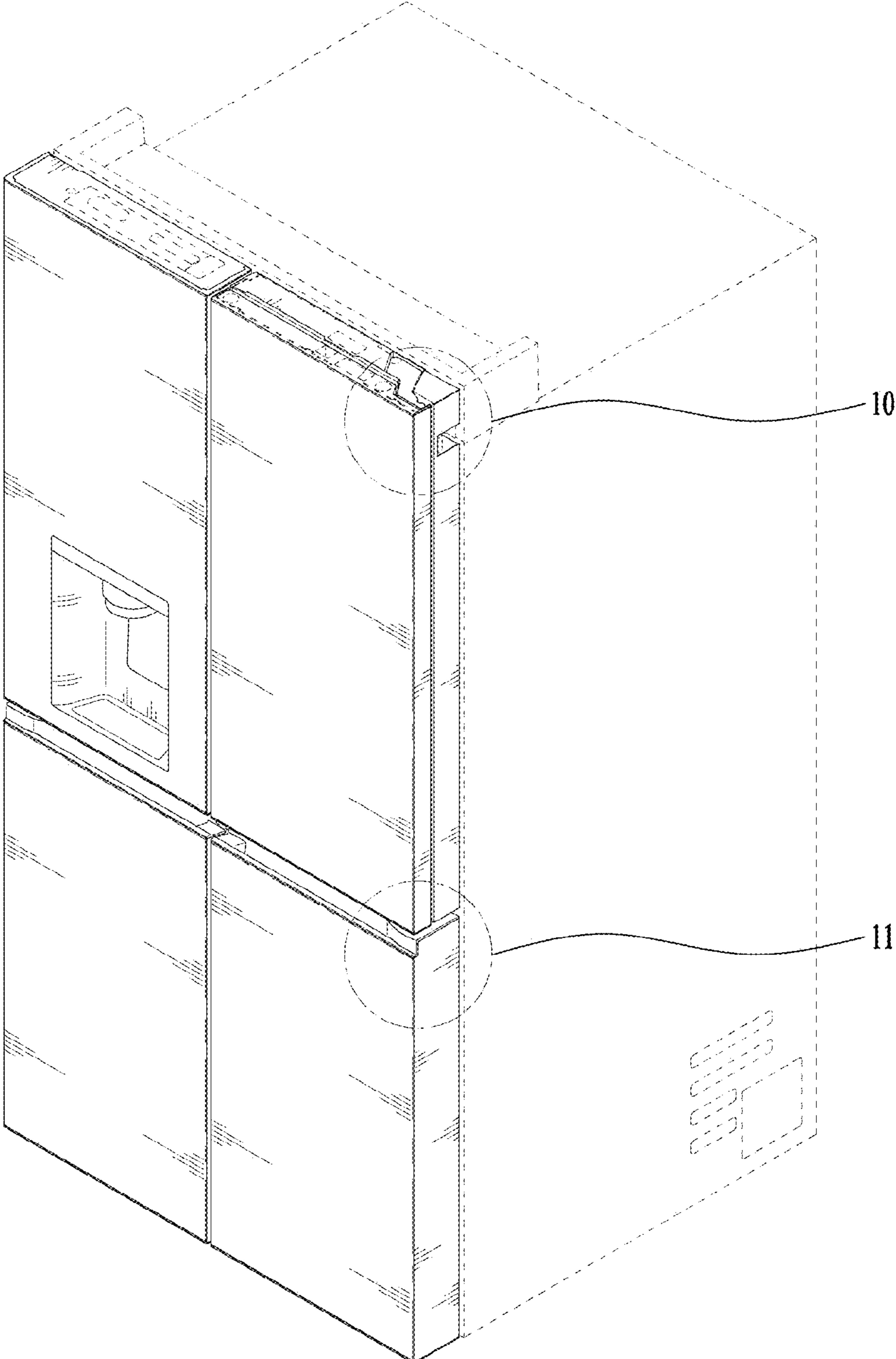


FIG. 2

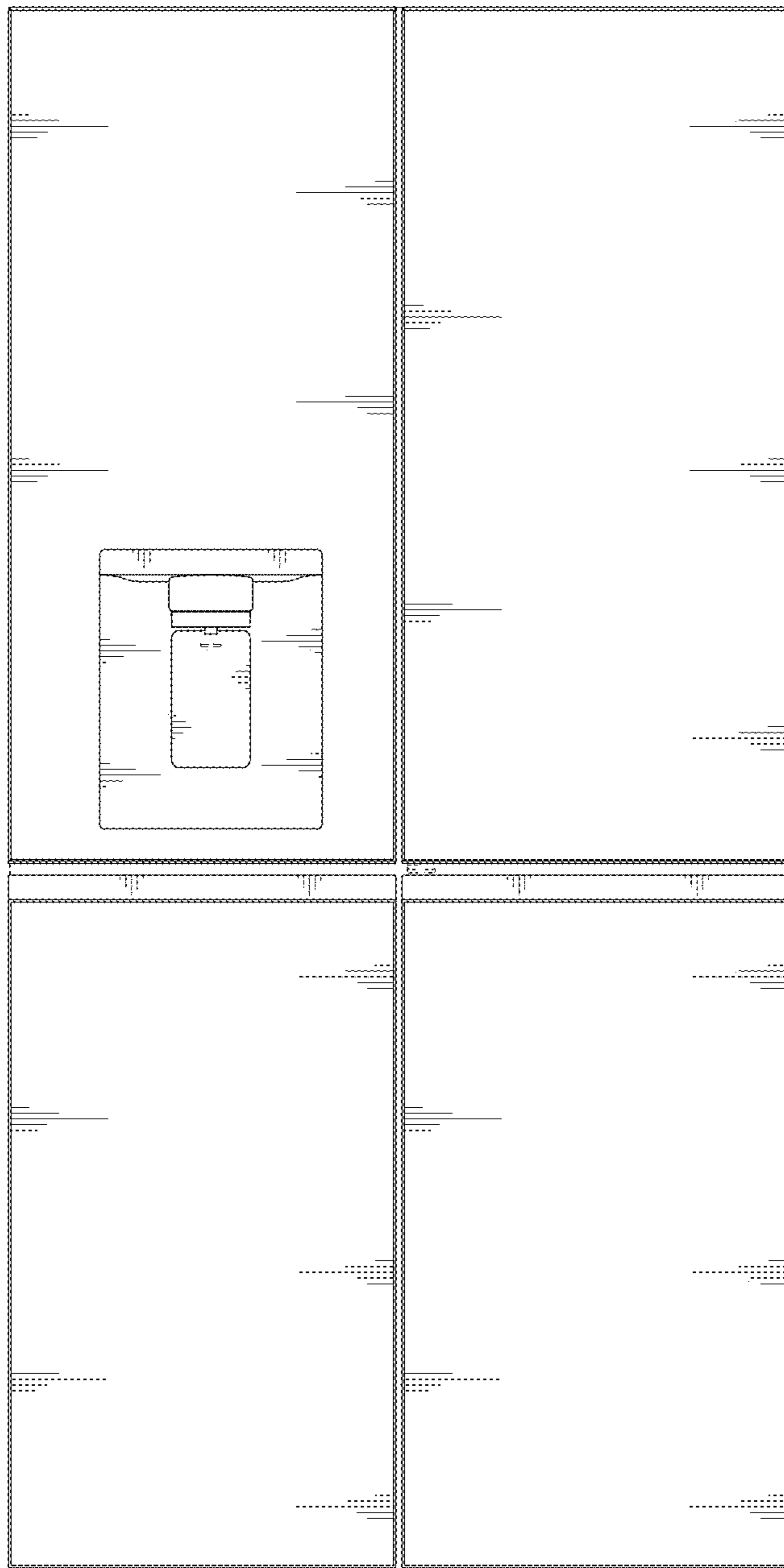


FIG. 3

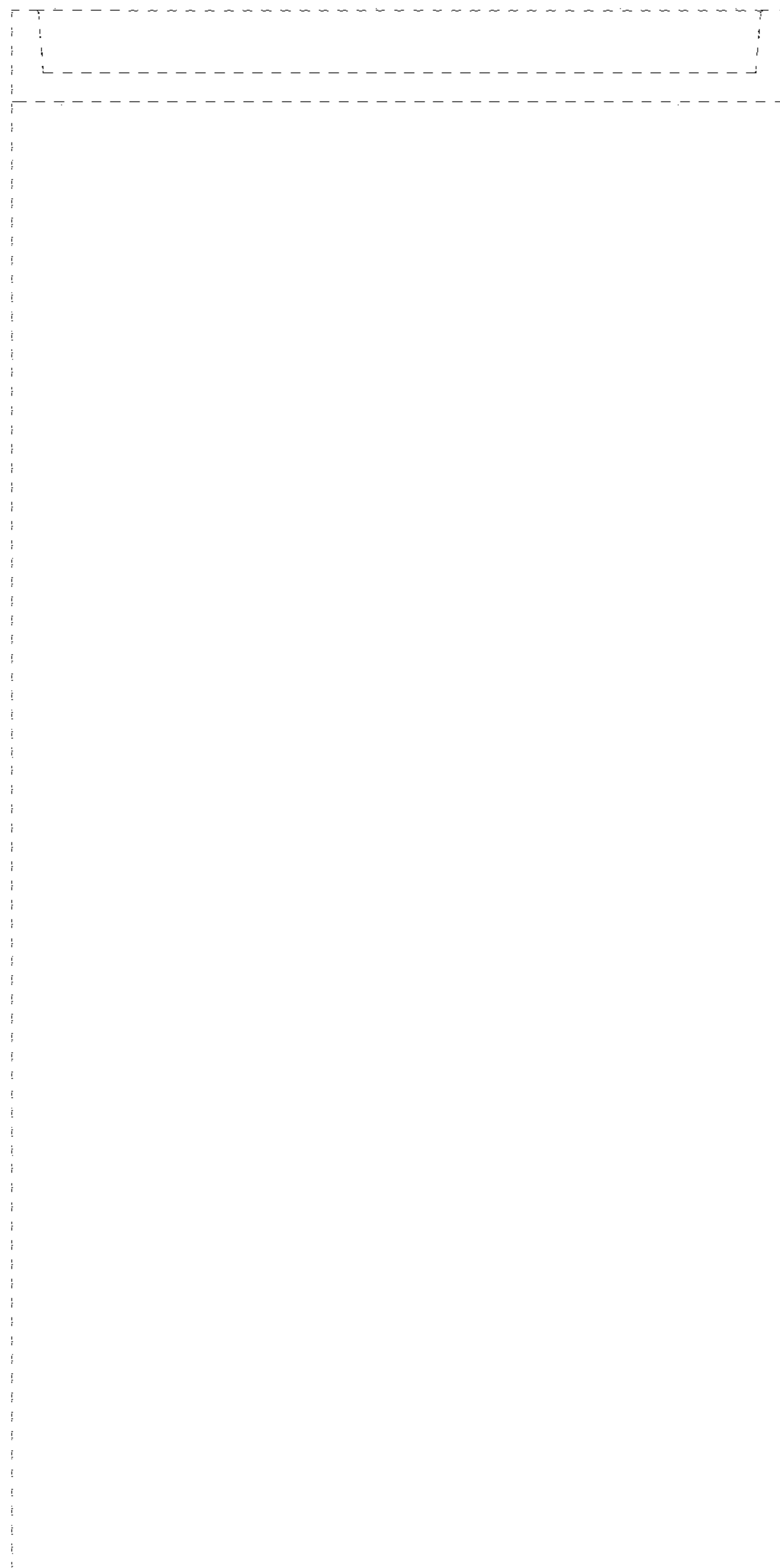


FIG. 4

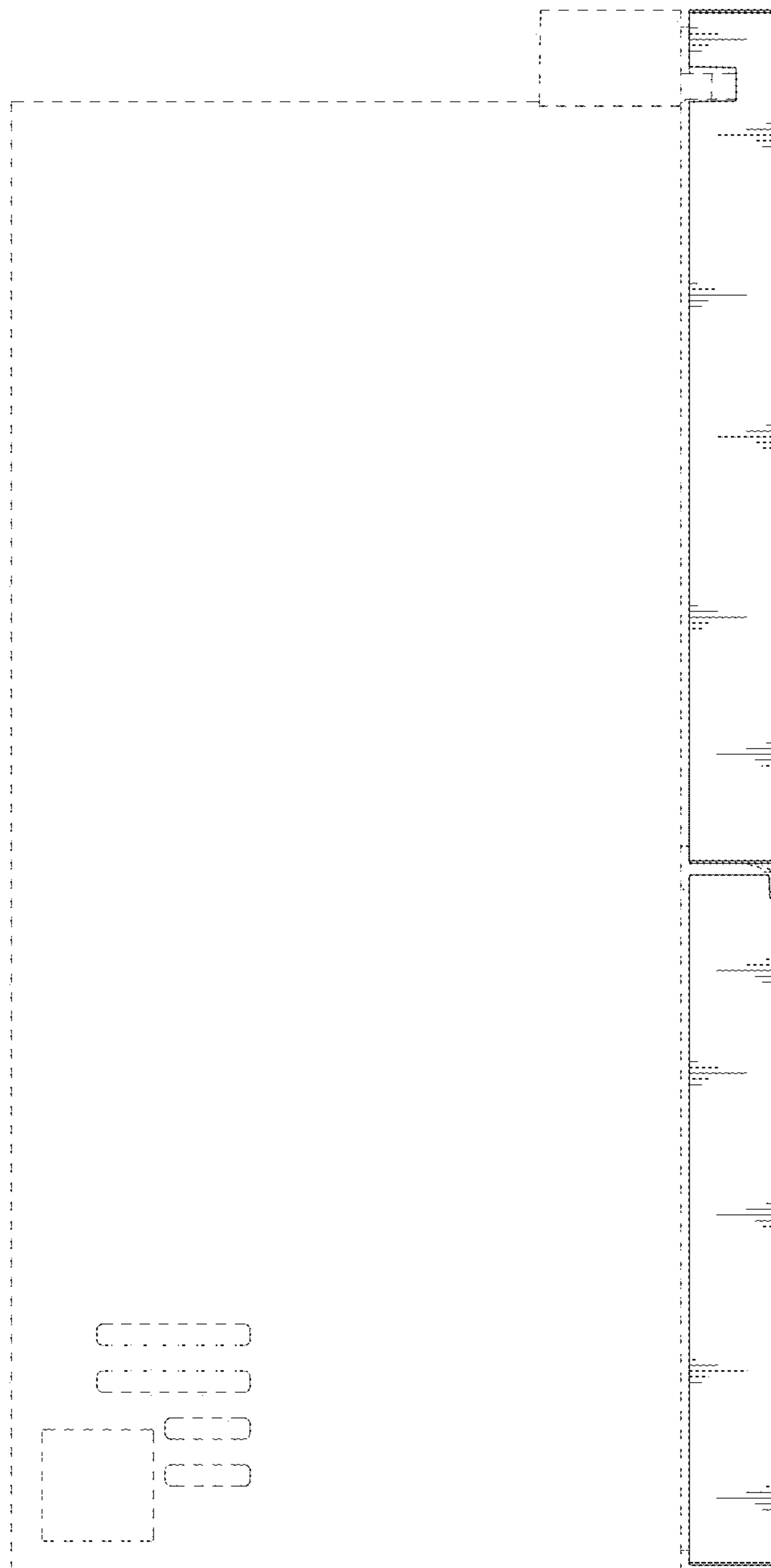


FIG. 5

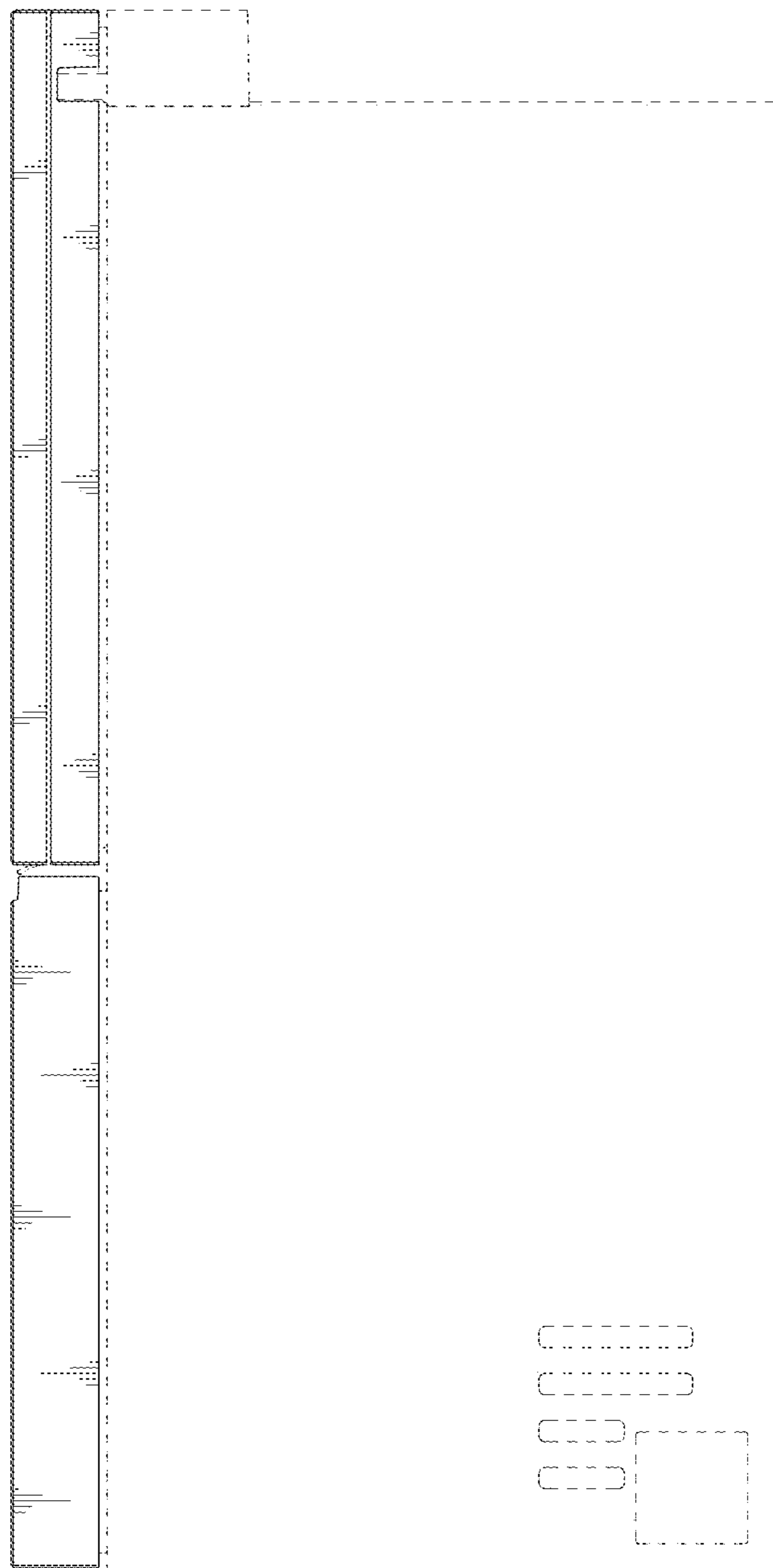


FIG. 6

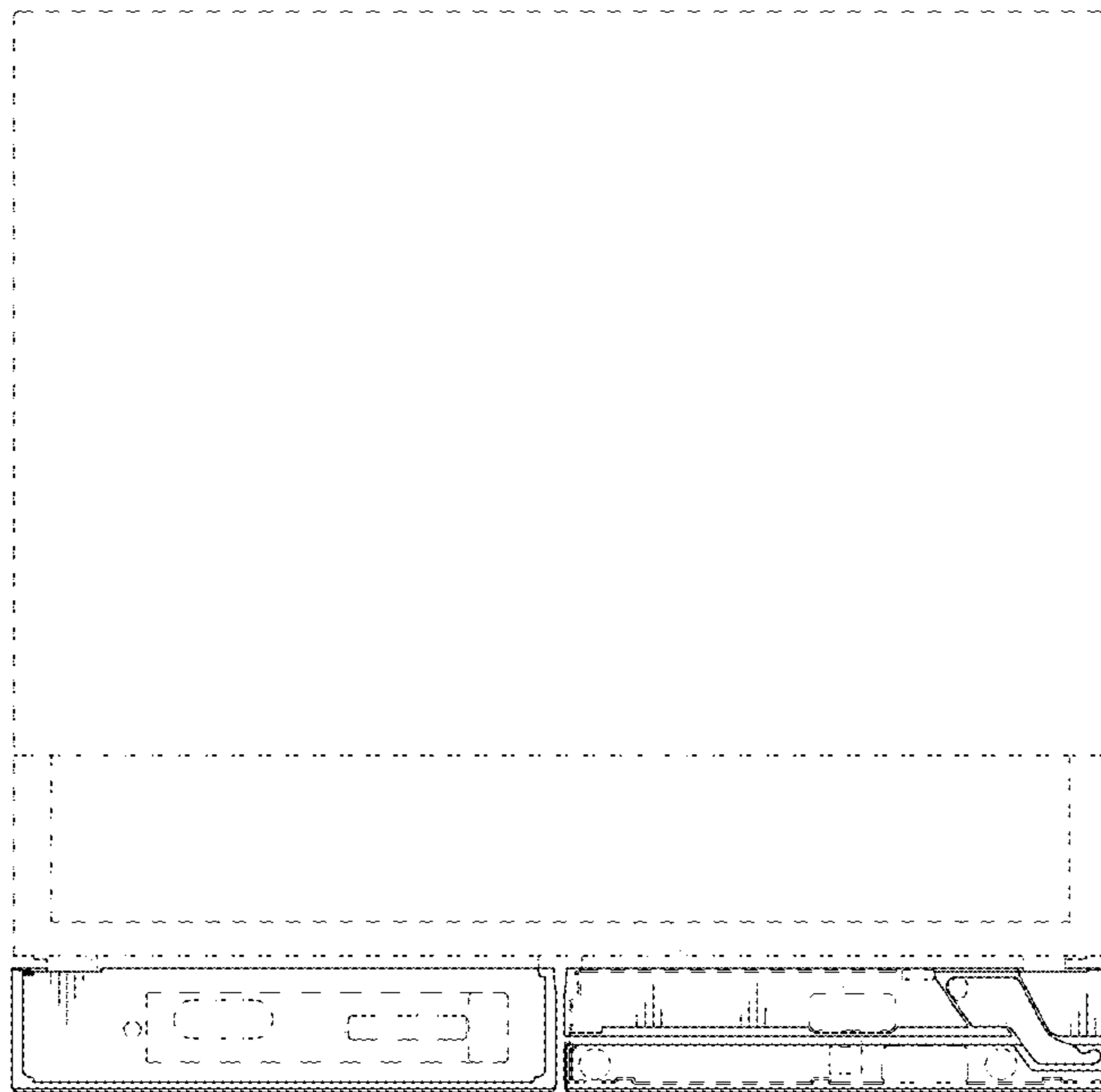


FIG. 7

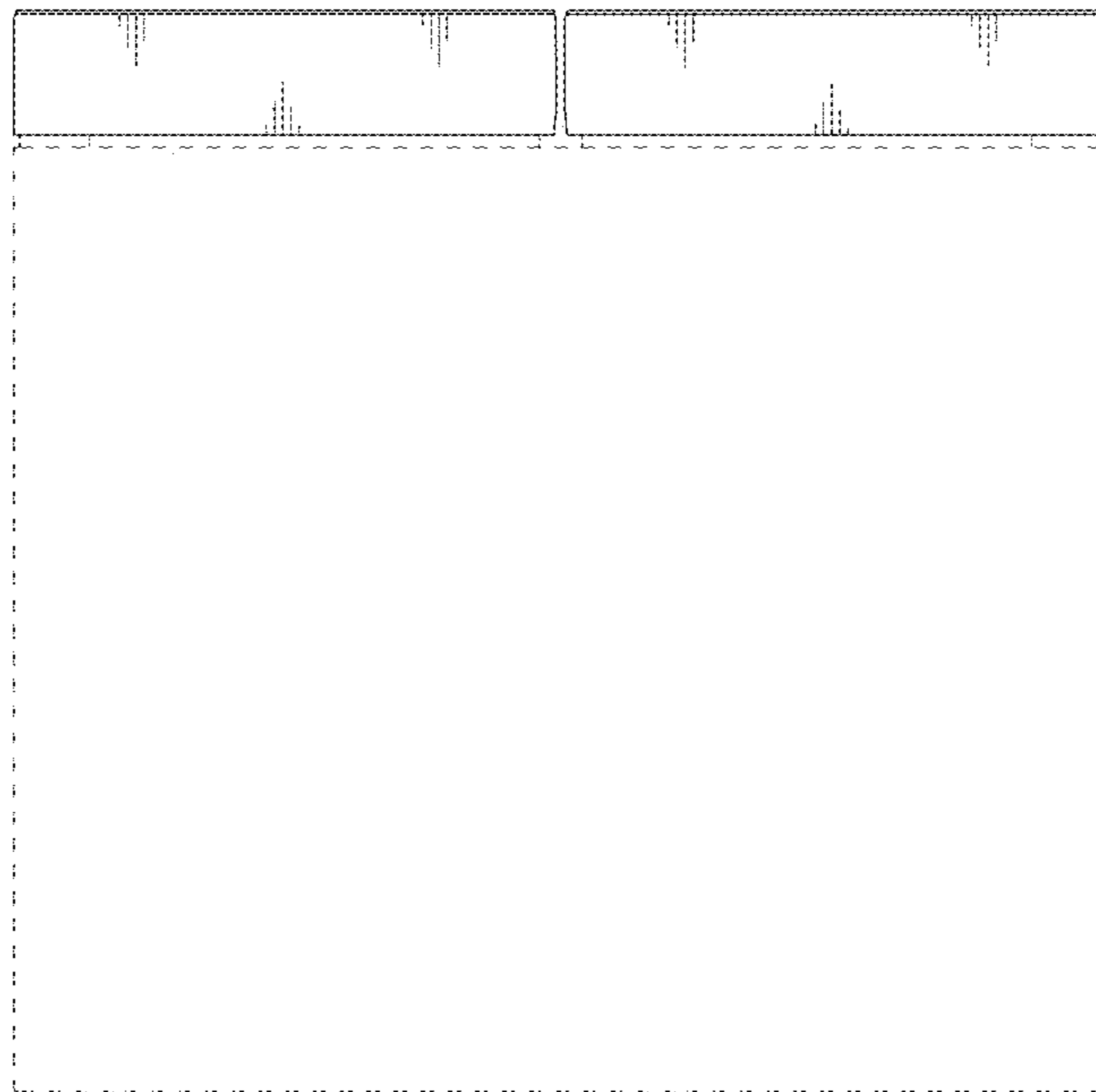


FIG. 8

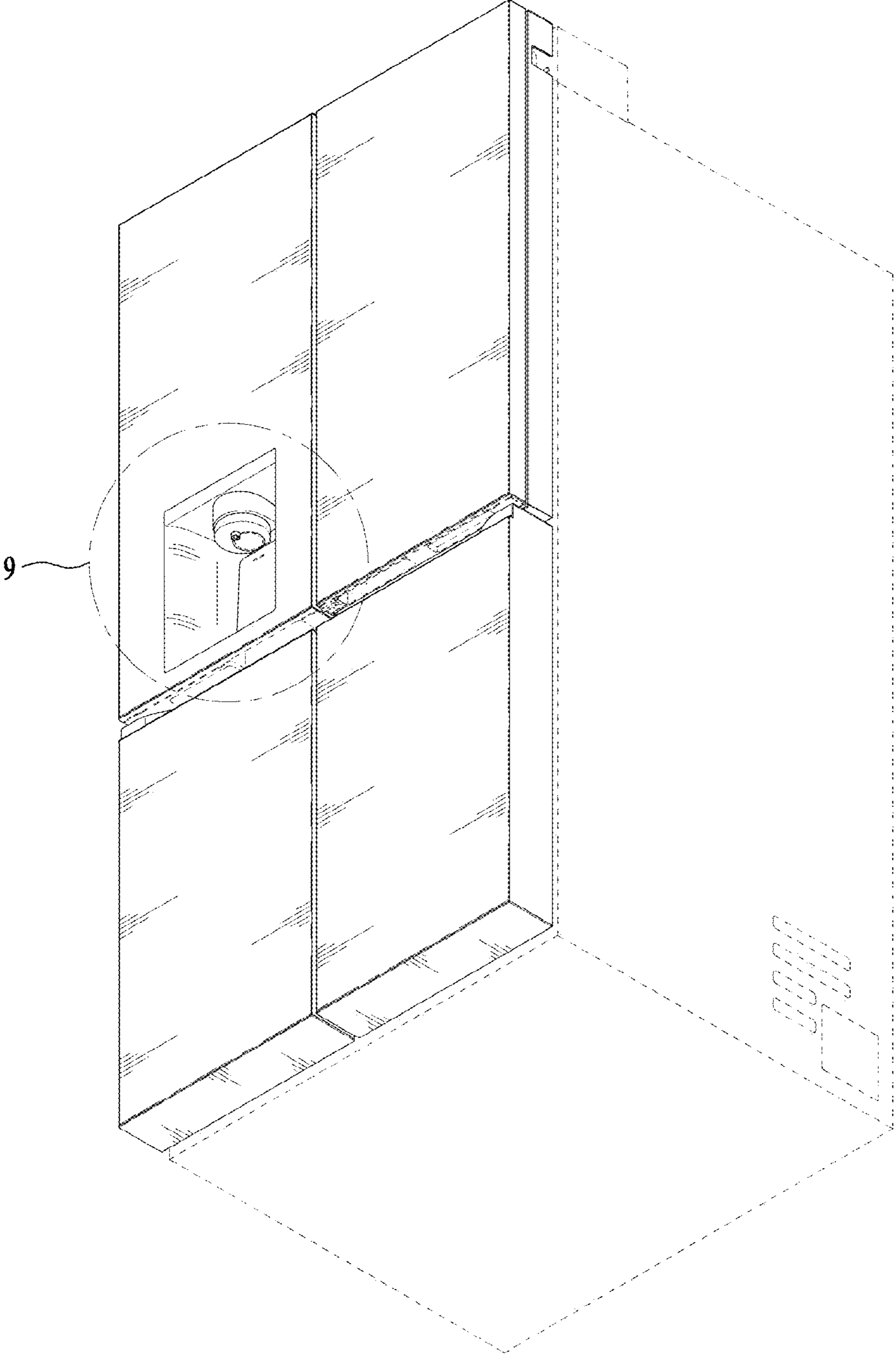


FIG. 9

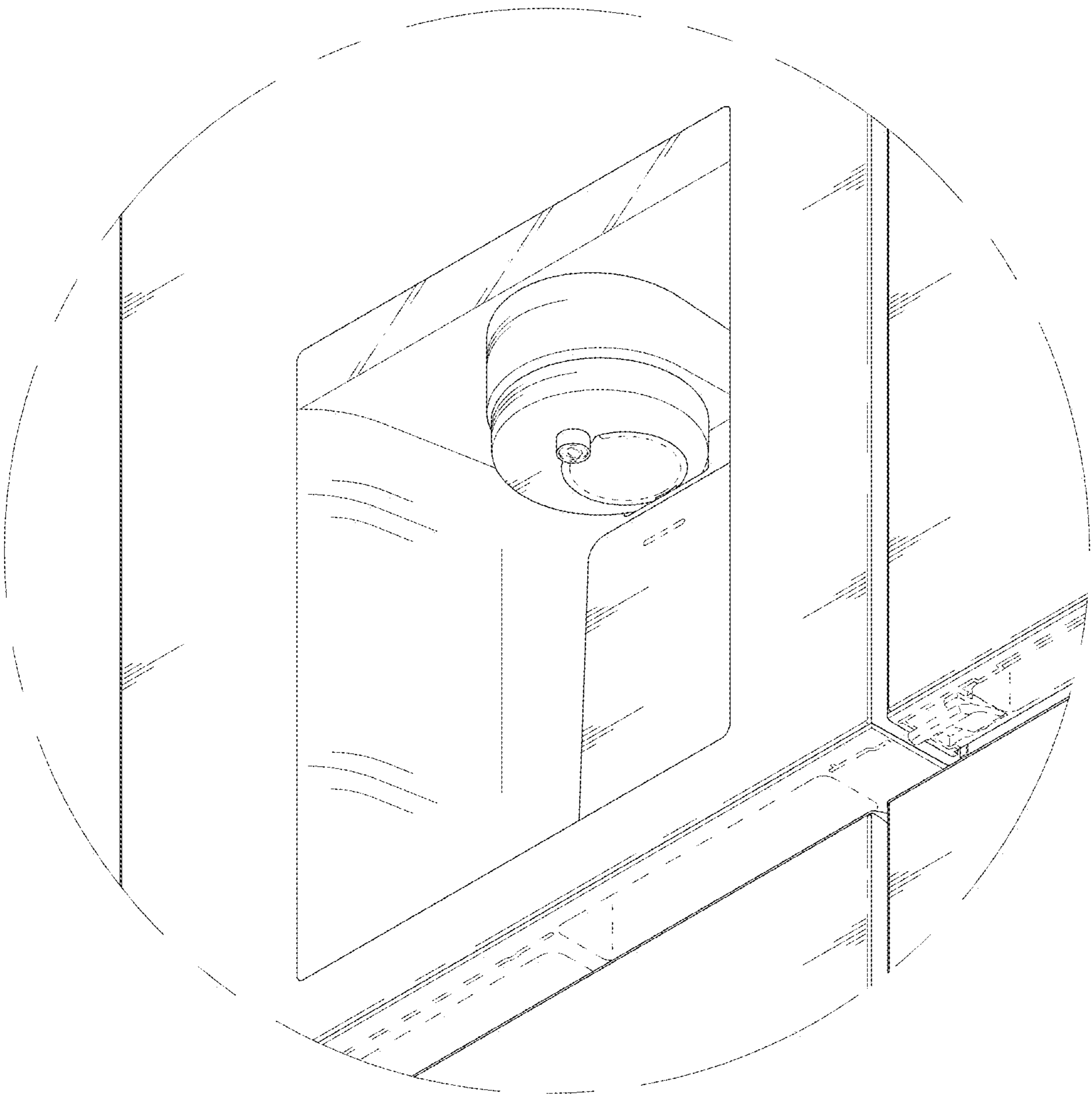


FIG. 10

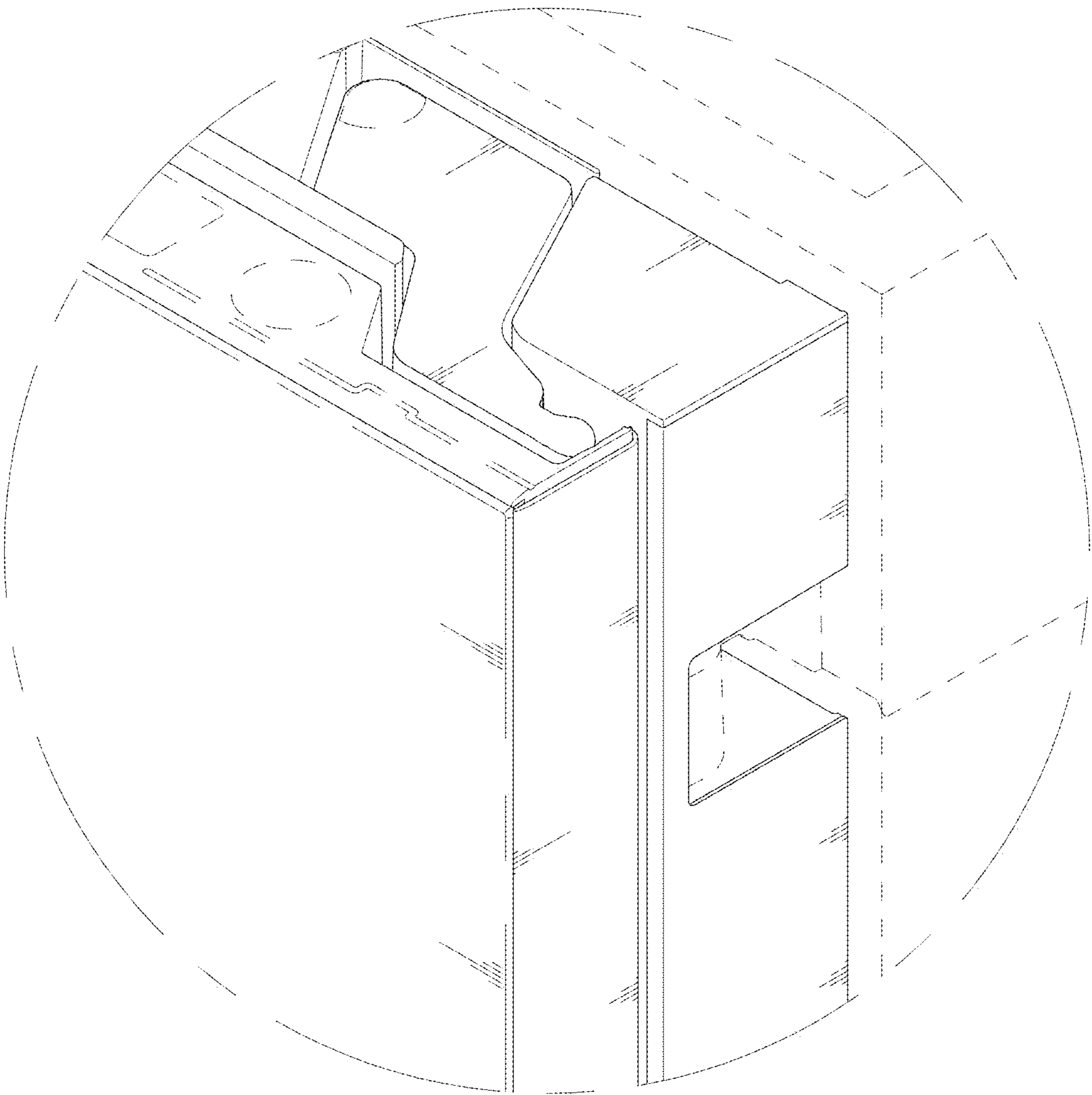


FIG. 11

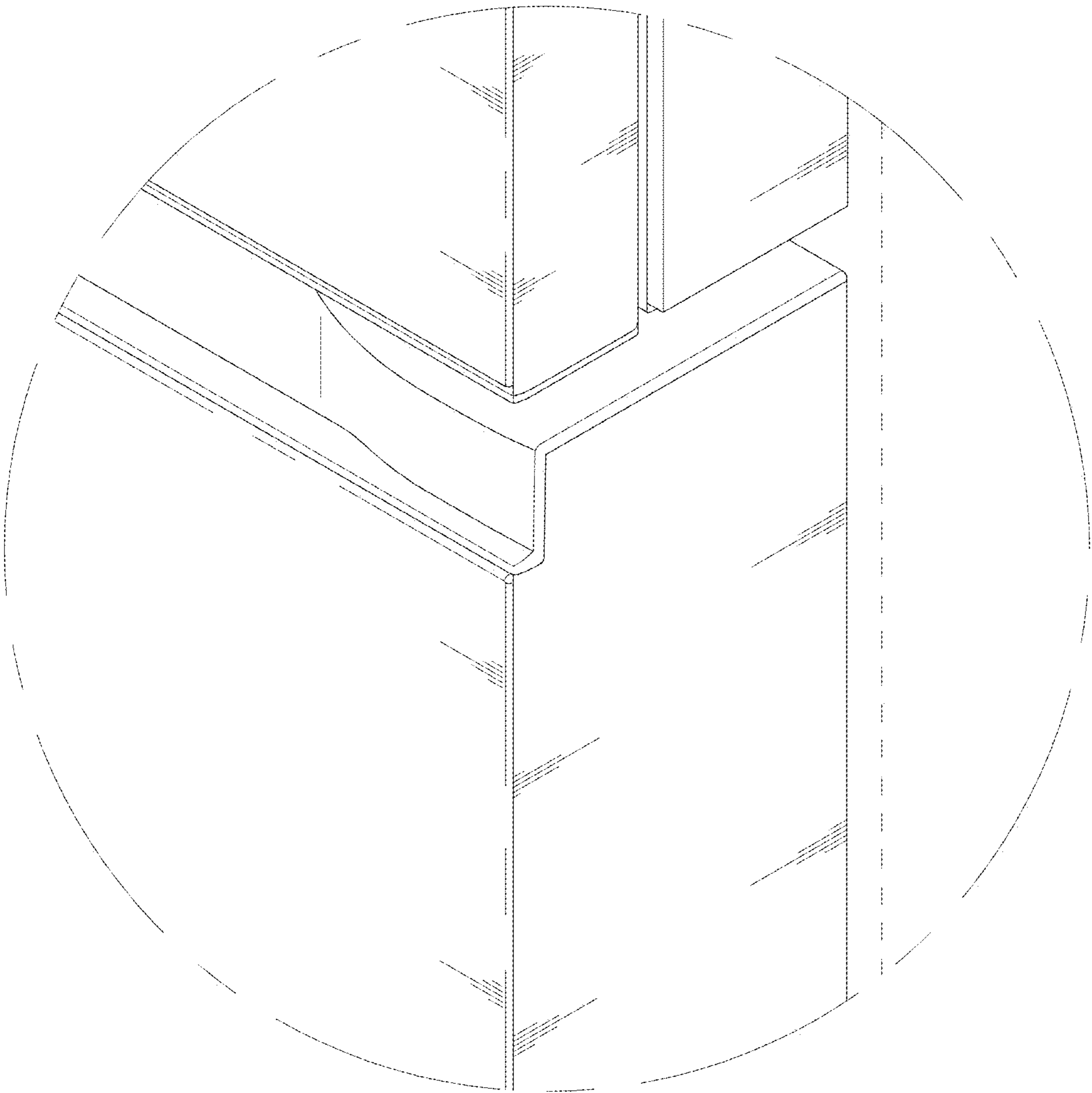


FIG. 12

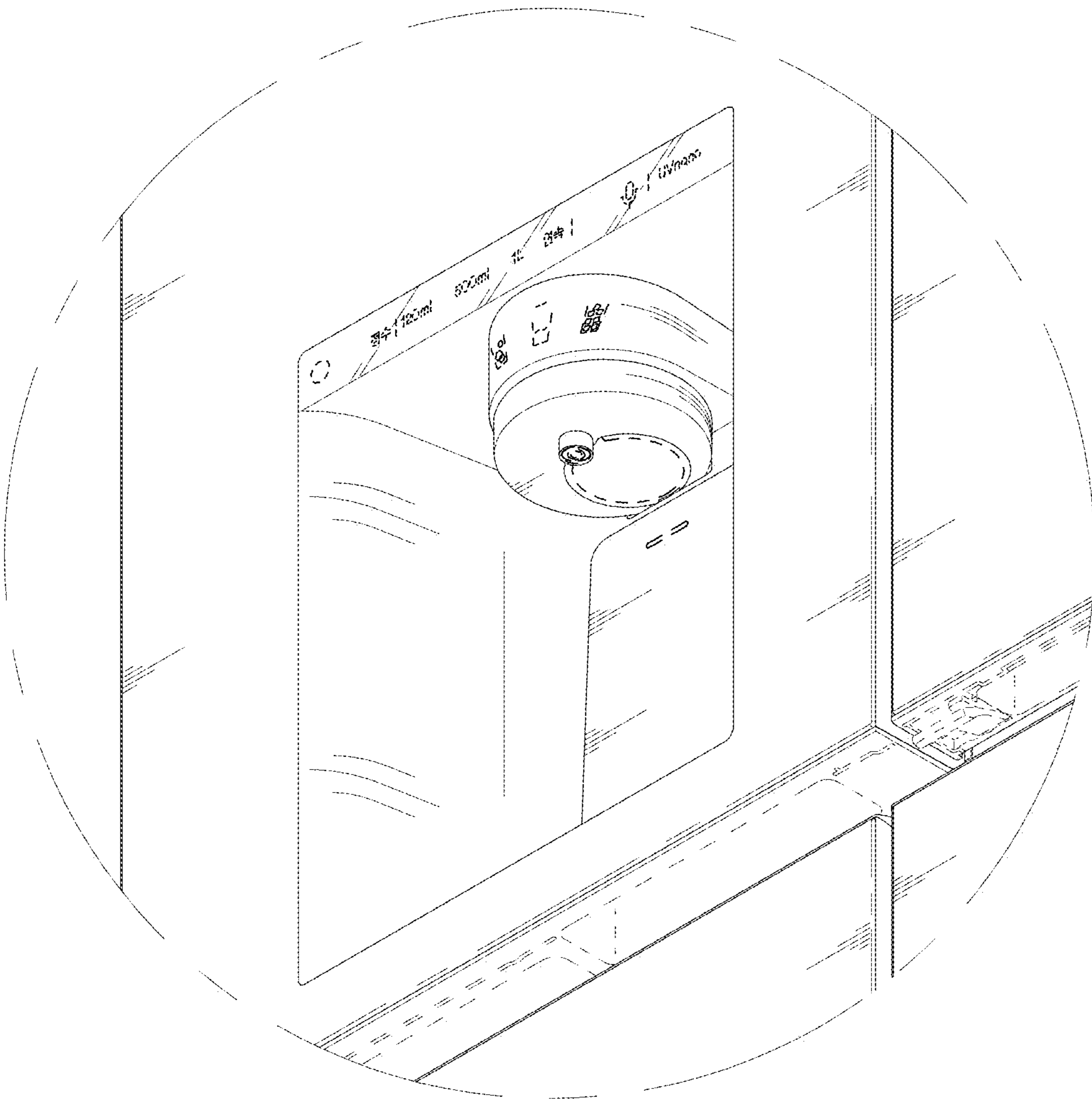


FIG. 13

