



US00D962306S

(12) **United States Design Patent**
Han et al.

(10) **Patent No.:** **US D962,306 S**
(45) **Date of Patent:** **** Aug. 30, 2022**

(54) **REFRIGERATOR**

(71) Applicant: **LG ELECTRONICS INC.**, Seoul (KR)

(72) Inventors: **Sungkyong Han**, Seoul (KR); **Kyukwan Choi**, Seoul (KR); **Sanghun Kim**, Seoul (KR); **Minsub Kim**, Seoul (KR); **Seungjin Yoon**, Seoul (KR); **Jihyun Lee**, Seoul (KR); **Yezo Yun**, Seoul (KR)

(73) Assignee: **LG ELECTRONICS INC.**, Seoul (KR)

(**) Term: **15 Years**

(21) Appl. No.: **29/781,933**

(22) Filed: **May 3, 2021**

(30) **Foreign Application Priority Data**

Nov. 3, 2020 (KR) 30-2020-0052728

(51) **LOC (13) Cl.** **15-07**

(52) **U.S. Cl.**
USPC **D15/86; D15/81; D15/91**

(58) **Field of Classification Search**
USPC D15/79-91
CPC F25D 2323/021; F25D 2323/024; F25D 29/00; F25D 27/005; F25D 29/005; F25D 17/042; F25D 2325/021; F25D 11/00; F25D 11/02; F25D 11/025; F25D 23/00; F25D 23/02; F25D 23/04; F25D 23/12; F25D 23/028; F25D 25/02; F25D 25/021; F25D 25/022; F25D 25/024; F25D 25/025; A47F 3/04; A47F 3/0404
See application file for complete search history.

(56) **References Cited**

U.S. PATENT DOCUMENTS

D603,429 S * 11/2009 Lee D15/85
D657,805 S * 4/2012 Cho D15/86
D658,215 S * 4/2012 Seo D15/86

(Continued)

OTHER PUBLICATIONS

LG Electronics, LRFDS3016S 36 Inch Smart French Door Craft Ice Refrigerator, (site visited Dec. 16, 2021), AJ Madison website, URL:<<https://www.ajmadison.com/cgi-bin/ajmadison/LRFDS3016.html>> (Year: 2021).*

(Continued)

Primary Examiner — Calvin E Vansant

Assistant Examiner — Mark T. Philipps

(74) *Attorney, Agent, or Firm* — Birch, Stewart, Kolasch & Birch, LLP

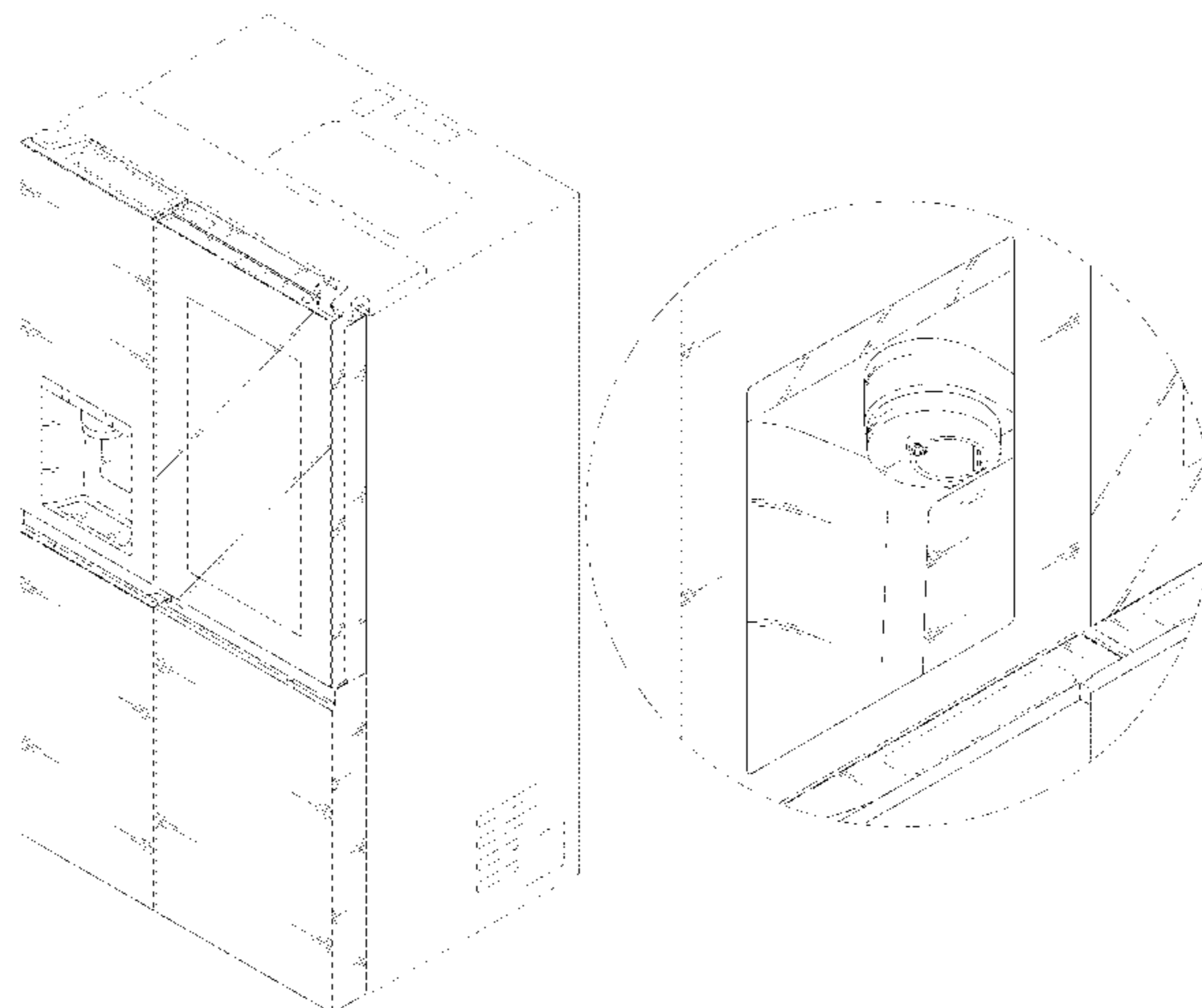
(57) **CLAIM**

The ornamental design for a refrigerator, as shown and described.

DESCRIPTION

FIG. 1 is a front perspective view of the refrigerator showing our new design;
FIG. 2 is a front view thereof;
FIG. 3 is a back view thereof;
FIG. 4 is a left side view thereof;
FIG. 5 is a right side view thereof;
FIG. 6 is a top plan view thereof;
FIG. 7 is a bottom plan view thereof;
FIG. 8 is a bottom perspective view thereof;
FIG. 9 is a partial enlarged view of the region 9 taken from FIG. 8; and,
FIG. 10 is a partial enlarged view of the region 9 taken from FIG. 8 showing the design in a different state of use.
The broken lines depict portions of the refrigerator that form no part of the claimed design. The long dash-short dash-long dash broken lines on FIGS. 8-10 depict the boundary of the enlarged views on FIGS. 9 and 10, taken from FIG. 8, and form no part of the claimed design.

1 Claim, 10 Drawing Sheets



(56)

References Cited

U.S. PATENT DOCUMENTS

D715,335 S * 10/2014 Kim D15/85
 D729,285 S * 5/2015 Seo D15/85
 D740,335 S * 10/2015 Hwang D15/89
 D741,380 S * 10/2015 Ogg D15/86
 D786,317 S * 5/2017 Kim D15/85
 D798,915 S * 10/2017 Vicari D15/86
 D807,410 S * 1/2018 Cho D15/86
 D814,533 S * 4/2018 Kim D15/85
 D832,312 S * 10/2018 Kim D15/86
 D838,297 S * 1/2019 Choi D15/81
 D847,875 S * 5/2019 Kim D15/85
 D869,518 S * 12/2019 Lee D15/85
 D888,110 S * 6/2020 Lee D15/85
 D905,767 S * 12/2020 Lee D15/89
 D921,064 S * 6/2021 Lee D15/89
 D921,065 S * 6/2021 Lee D15/89
 D921,711 S * 6/2021 Lee D15/85
 D921,714 S * 6/2021 Yoon D15/86

D933,110 S * 10/2021 Lee D15/86
 2015/0069900 A1* 3/2015 Lim F25D 23/025
 312/405
 2015/0225225 A1* 8/2015 Tae B67D 1/0858
 222/146.2

OTHER PUBLICATIONS

Samsung, RF23A9671SR 36 Inch Counter Depth 4-Door Flex™ Smart Refrigerator, (site visited Dec. 16, 2021), AJ Madison website, URL:<<https://www.ajmadison.com/cgi-bin/ajmadison/RF23A9671.html>> (Year: 2021).*

Cafe, CQE28DM5NS5 36 Inch 4-Door French Door Smart Refrigerator, (site visited Dec. 16, 2021), AJ Madison website, URL:<<https://www.ajmadison.com/cgi-bin/ajmadison/CQE28DM5NS5.html>> (Year: 2021).*

Dacor, DRF36C700SR 36 Inch Smart French Door Refrigerator, (site visited Dec. 16, 2021), AJ Madison website, URL:<<https://www.ajmadison.com/cgi-bin/ajmadison/DRF36C700X.html>> (Year: 2021).*

* cited by examiner

FIG. 1

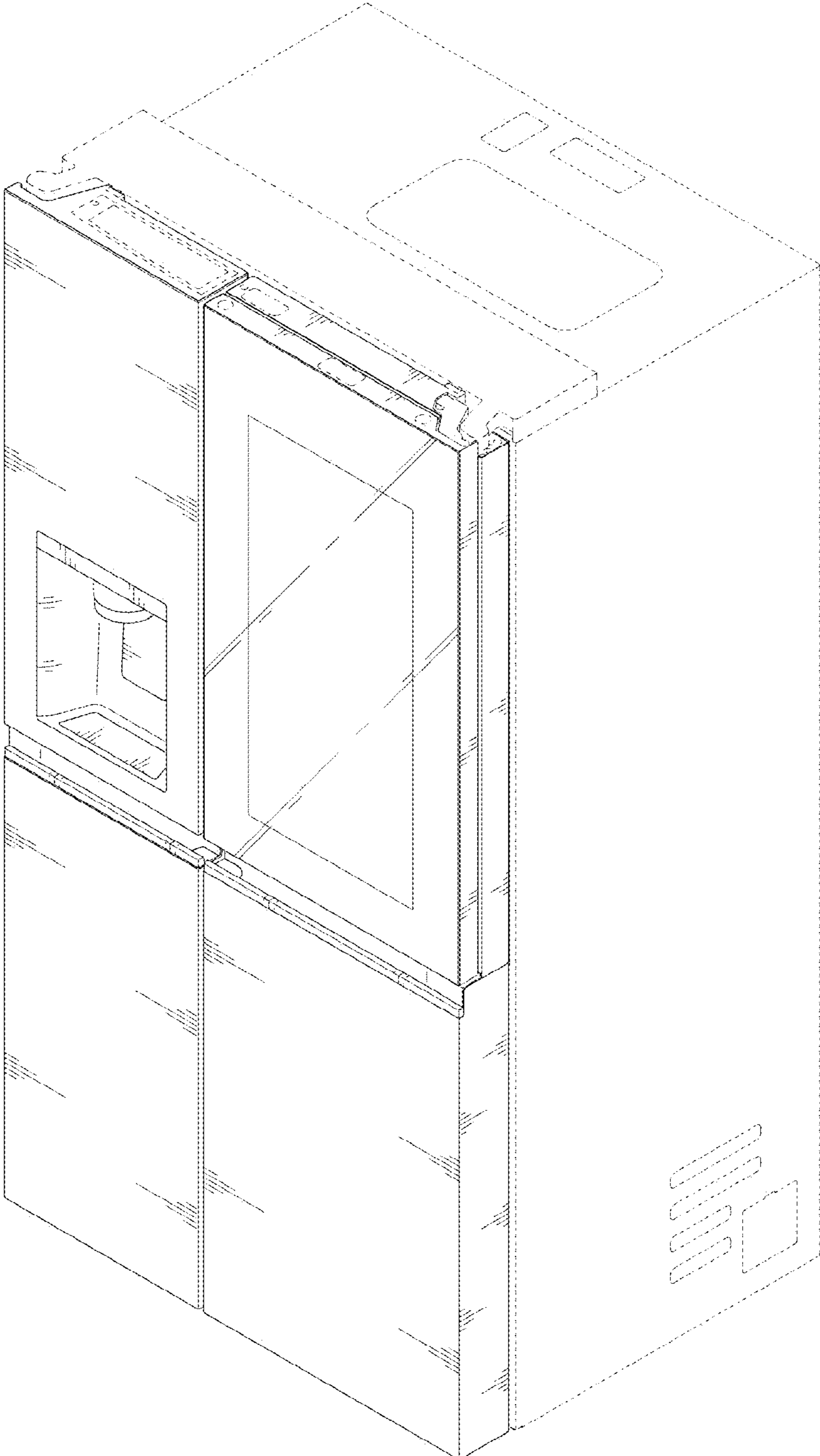


FIG. 2

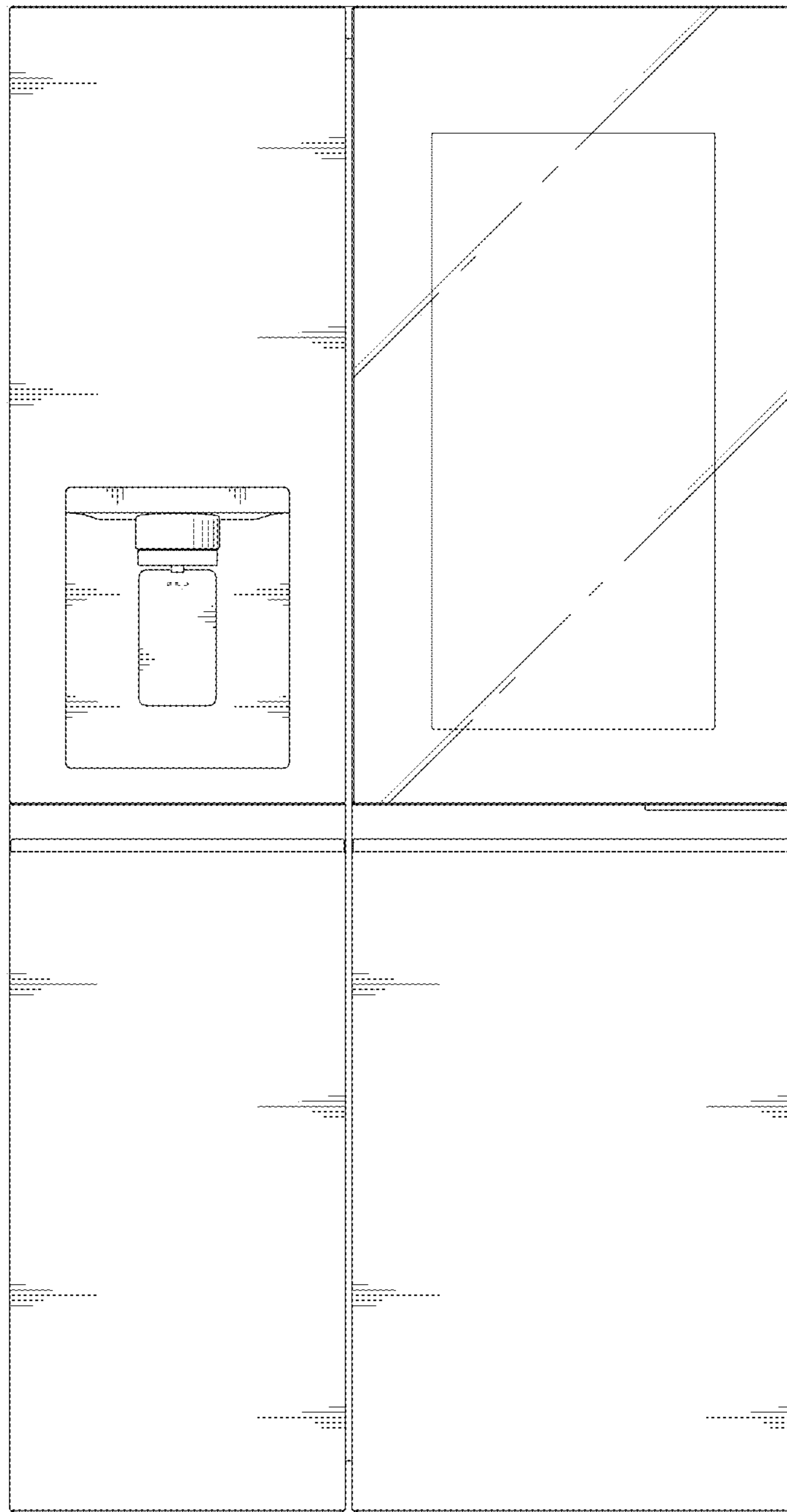


FIG. 3

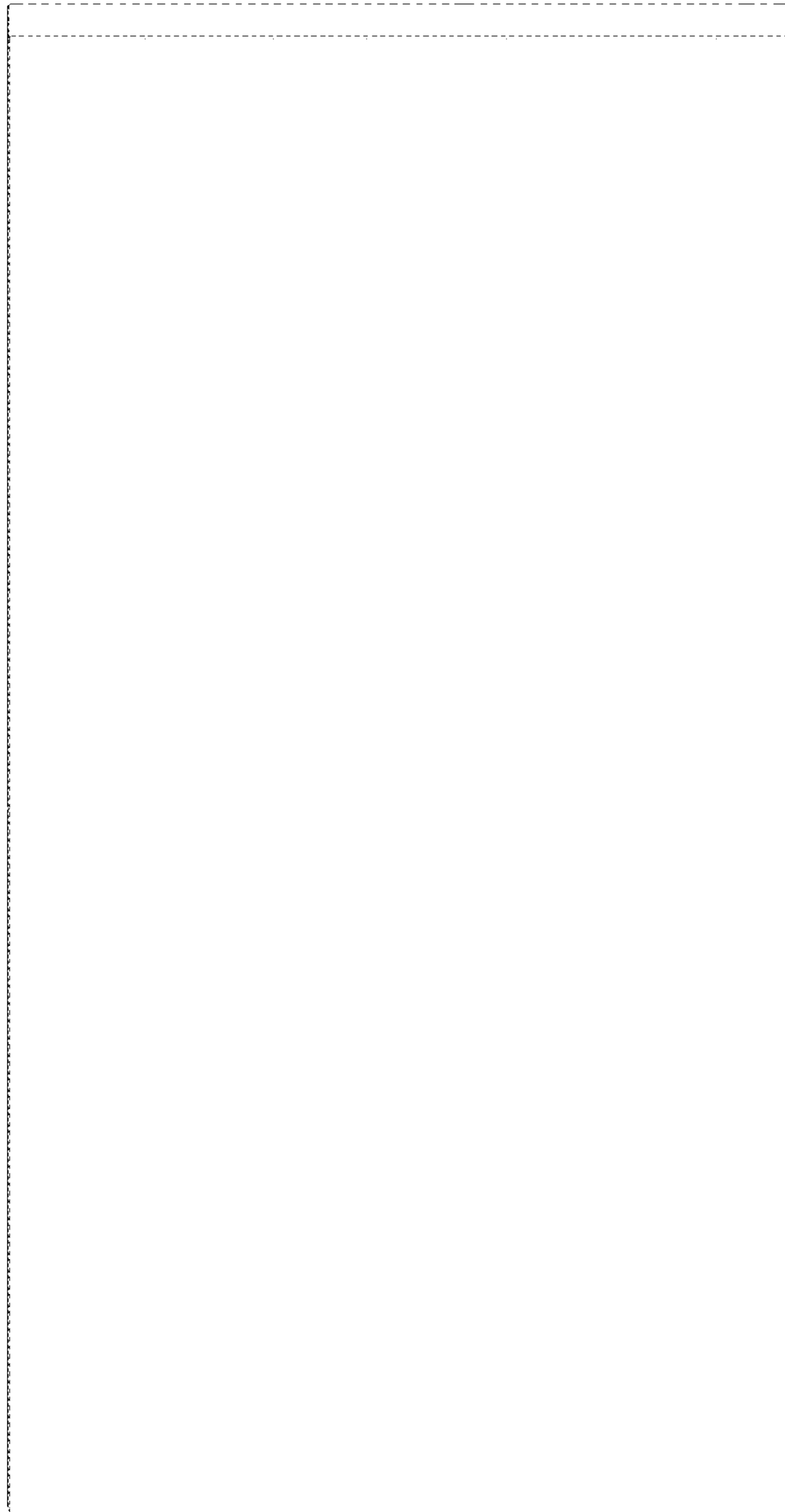


FIG. 4

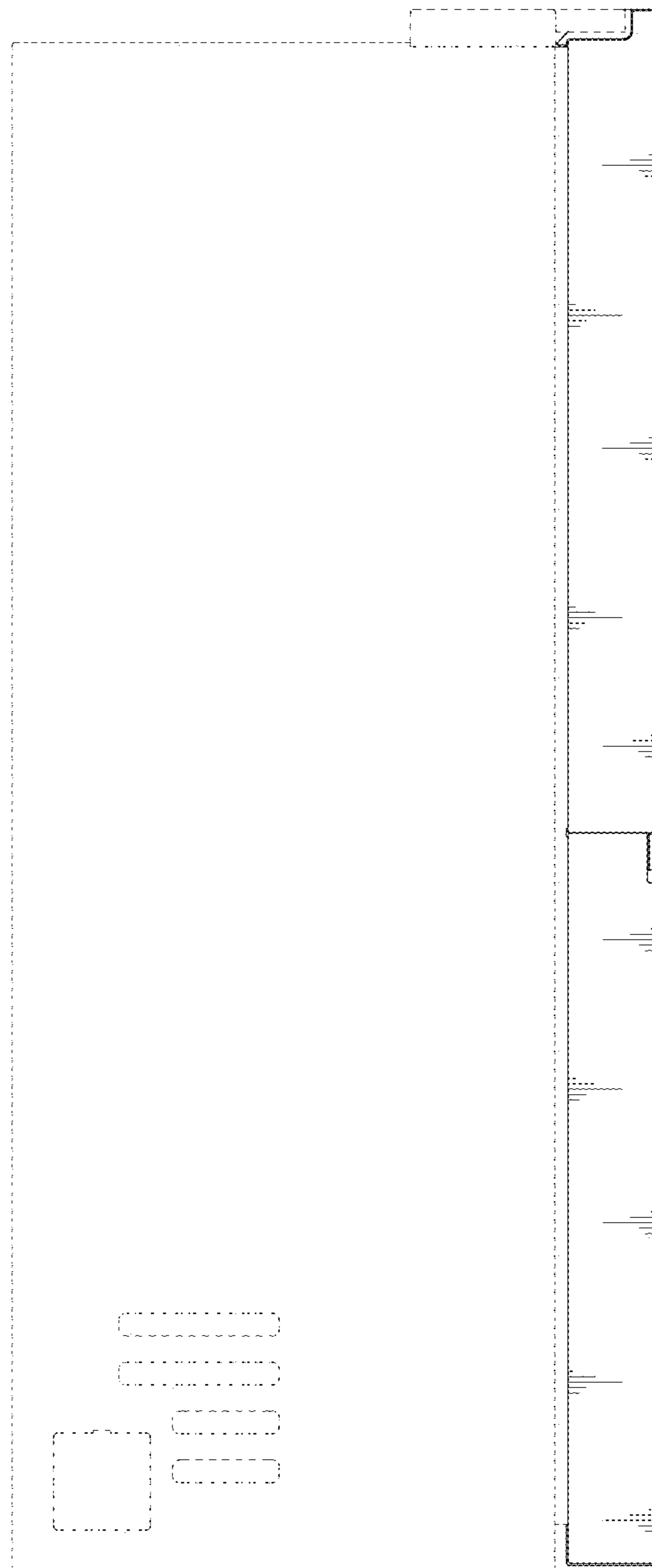


FIG. 5

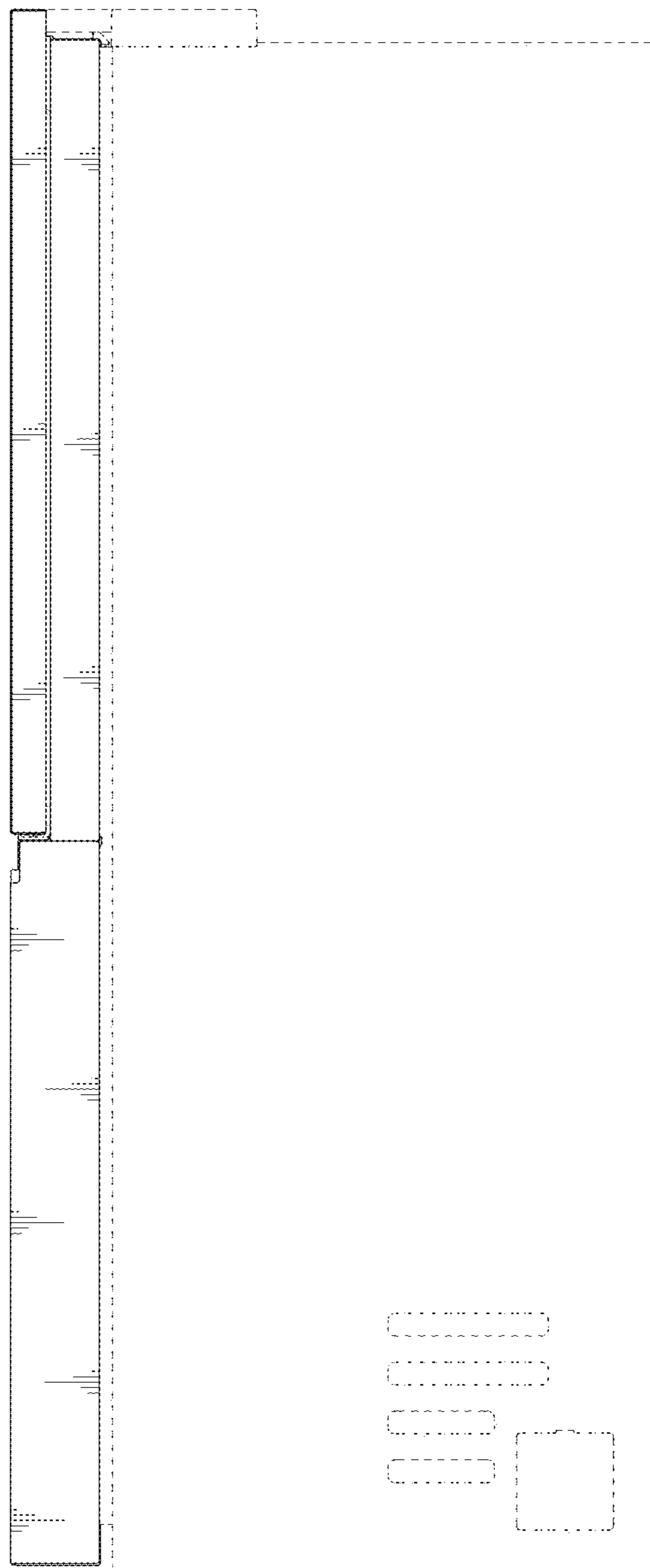


FIG. 6

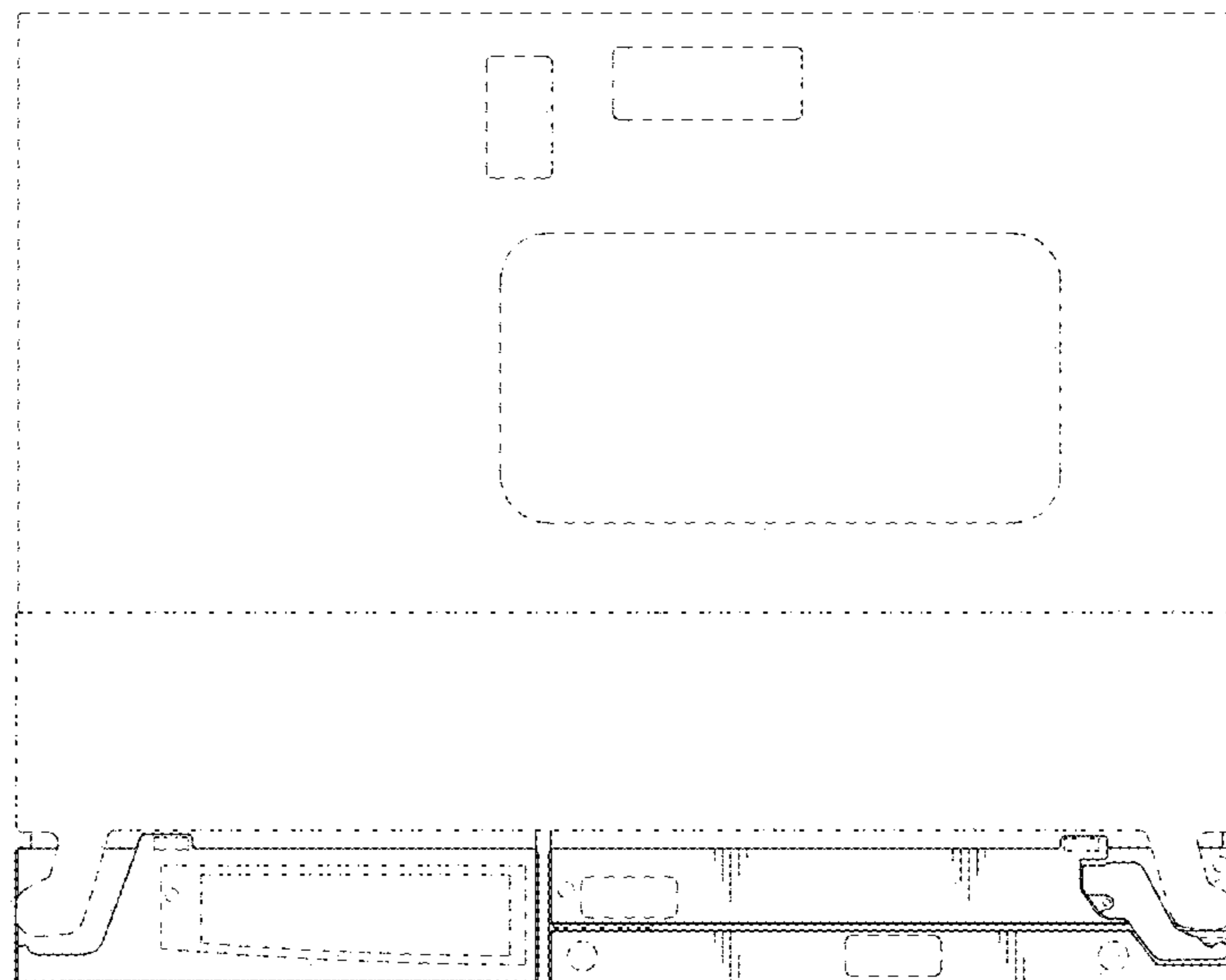


FIG. 7

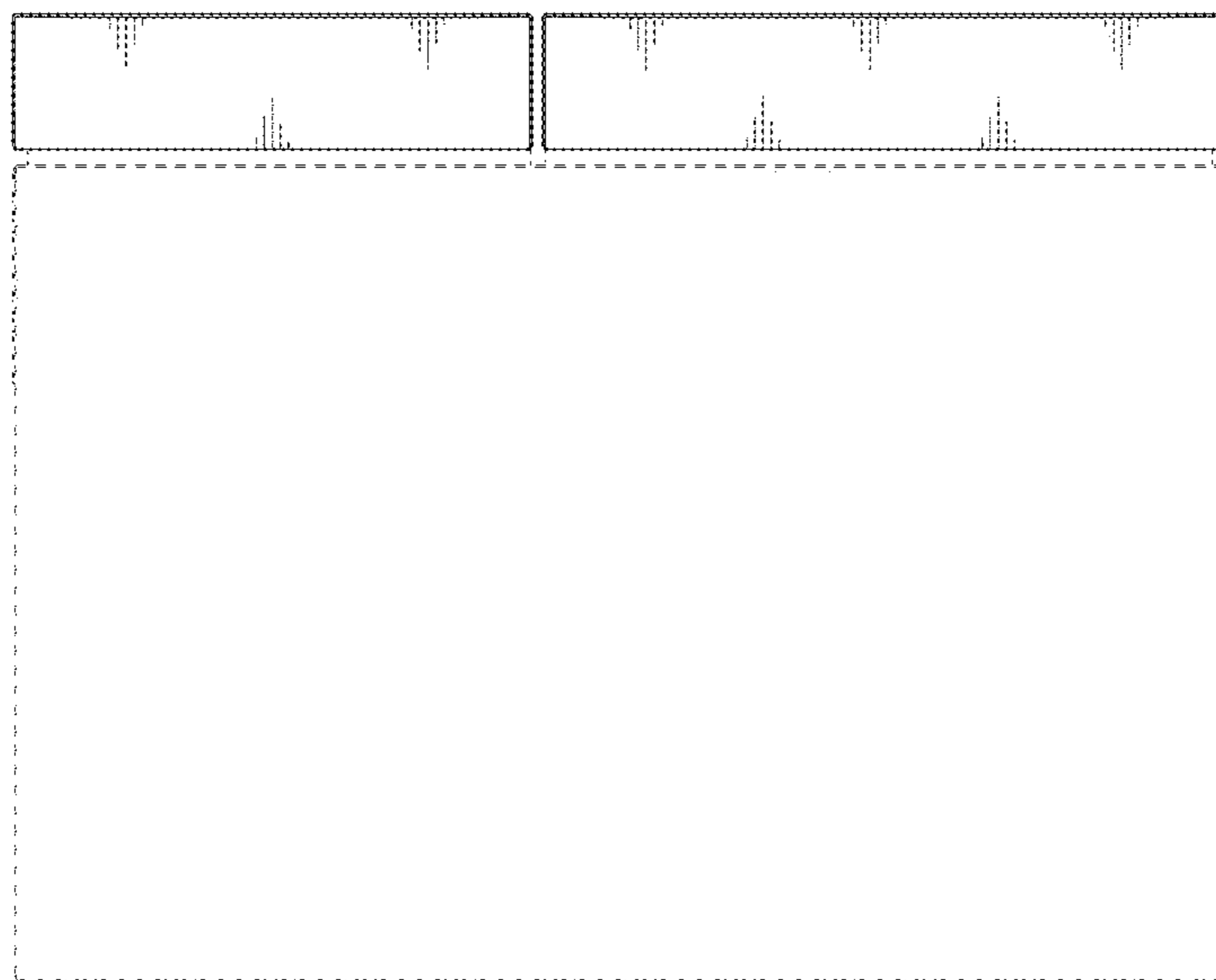


FIG. 8

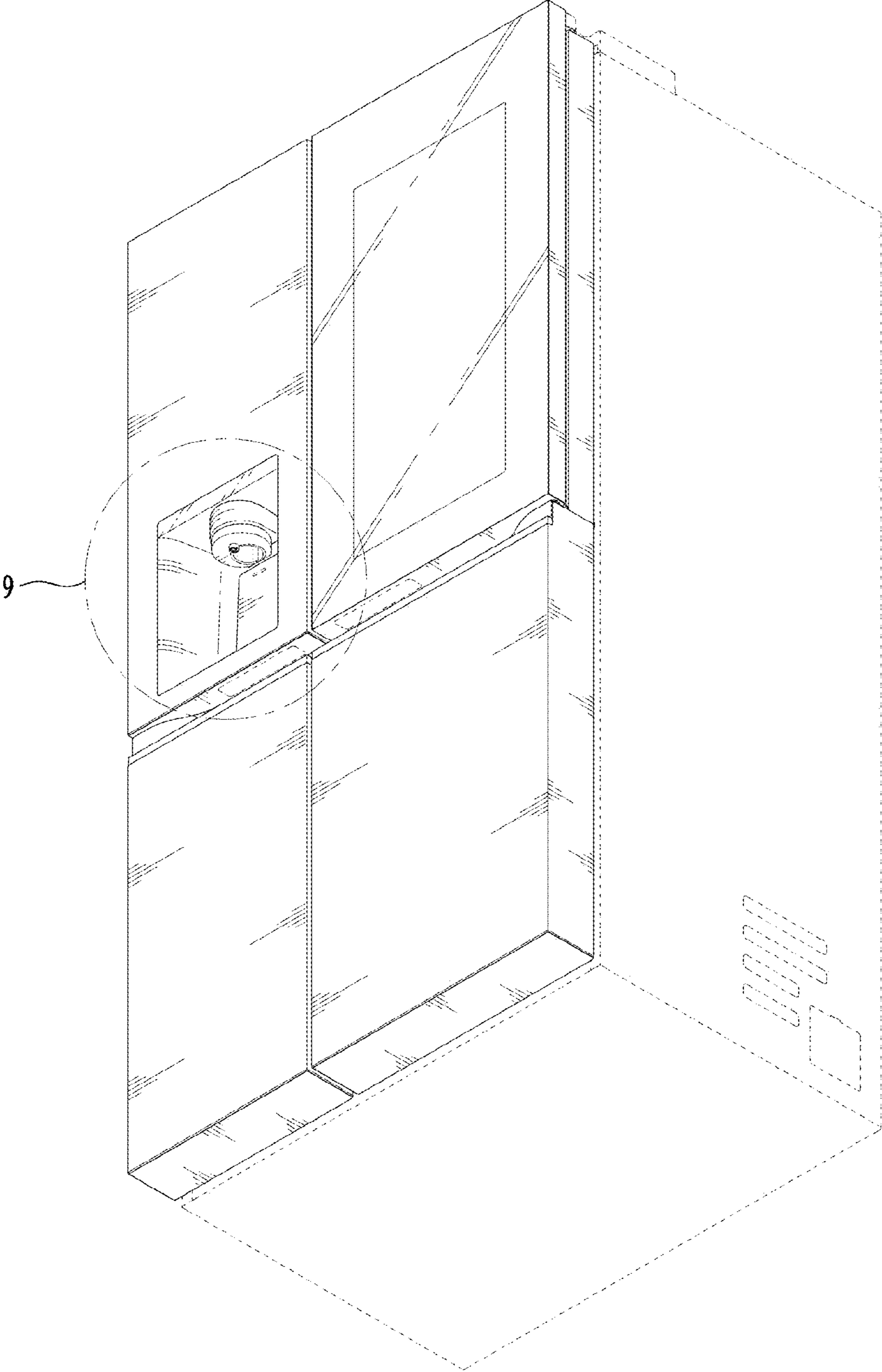


FIG. 9

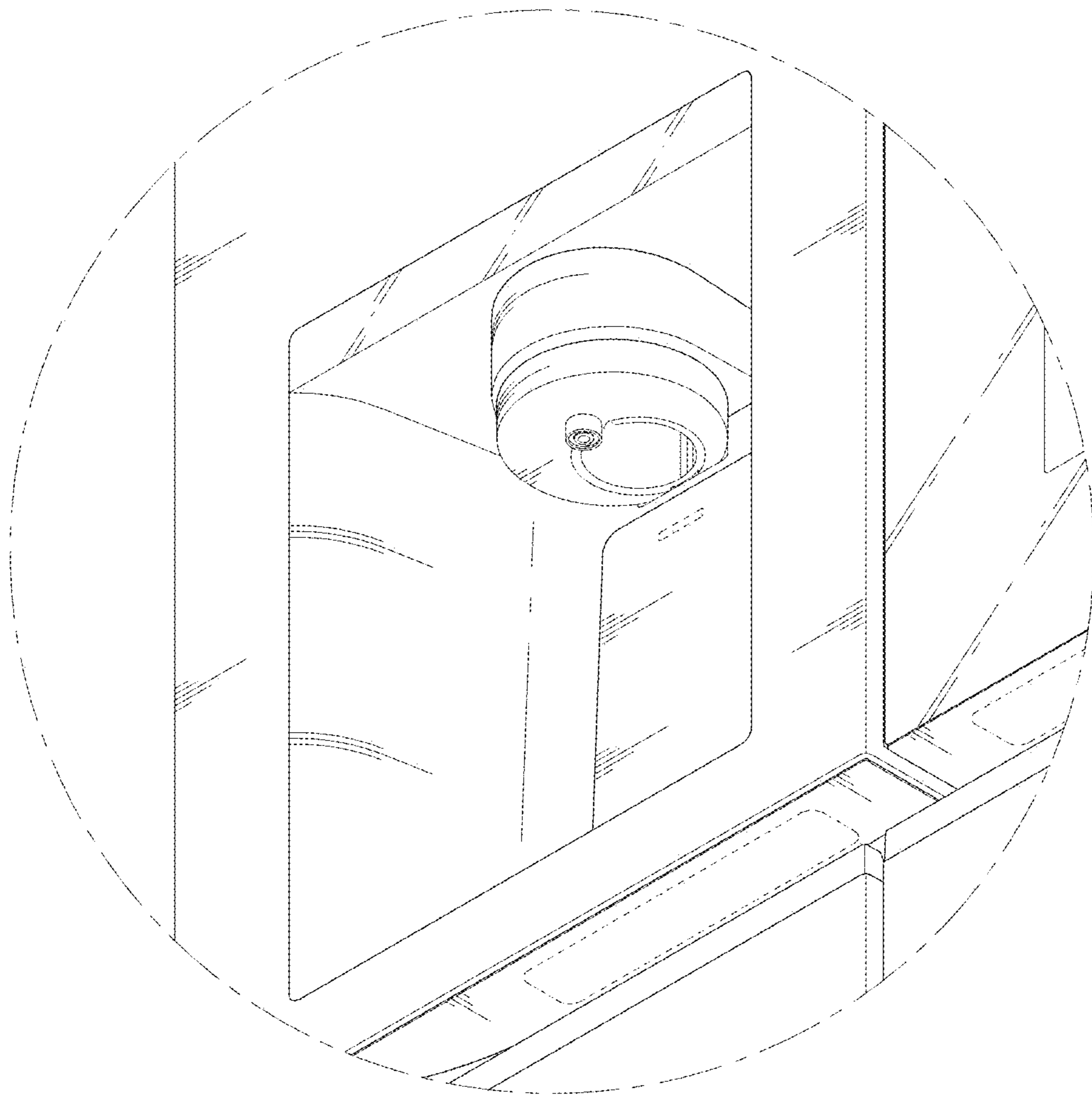


FIG. 10

