



US00D962305S

(12) **United States Design Patent** (10) **Patent No.:** **US D962,305 S**  
**Choi et al.** (45) **Date of Patent:** **\*\* Aug. 30, 2022**

(54) **REFRIGERATOR**

(71) Applicant: **LG ELECTRONICS INC.**, Seoul (KR)  
(72) Inventors: **Kyukwan Choi**, Seoul (KR); **Sanghun Kim**, Seoul (KR); **Sangwoog Cho**, Seoul (KR); **Seungjin Yoon**, Seoul (KR); **Sungkyong Han**, Seoul (KR)  
(73) Assignee: **LG ELECTRONICS INC.**, Seoul (KR)  
(\*\*) Term: **15 Years**

(21) Appl. No.: **29/774,559**  
(22) Filed: **Mar. 17, 2021**

(30) **Foreign Application Priority Data**

Sep. 18, 2020 (KR) ..... 30-2020-0045070  
(51) **LOC (13) Cl.** ..... **15-07**  
(52) **U.S. Cl.**  
USPC ..... **D15/86**; D15/81; D15/91  
(58) **Field of Classification Search**  
USPC ..... D15/79-91  
CPC ..... F25D 2323/021; F25D 2323/024; F25D 29/00; F25D 27/005; F25D 29/005; F25D 17/042; F25D 2325/021; F25D 11/00; F25D 11/02; F25D 11/025; F25D 23/00; F25D 23/02; F25D 23/04; F25D 23/12; F25D 23/028; F25D 25/02; F25D 25/021; F25D 25/022; F25D 25/024; F25D 25/025; A47F 3/04; A47F 3/0404  
See application file for complete search history.

(56) **References Cited**

**U.S. PATENT DOCUMENTS**

D603,429 S \* 11/2009 Lee ..... D15/85  
D657,805 S \* 4/2012 Cho ..... D15/86  
D658,215 S \* 4/2012 Seo ..... D15/86

(Continued)

**OTHER PUBLICATIONS**

LG Electronics, LRFDS3016S 36 Inch Smart French Door Craft Ice Refrigerator, (site visited Dec. 16, 2021), AJ Madison website, URL:<https://www.ajmadison.com/cgi-bin/ajmadison/LRFDS3016.html> (Year: 2021).\*

(Continued)

*Primary Examiner* — Calvin E Vansant  
*Assistant Examiner* — Mark T. Philipps

(74) *Attorney, Agent, or Firm* — Birch, Stewart, Kolasch & Birch, LLP

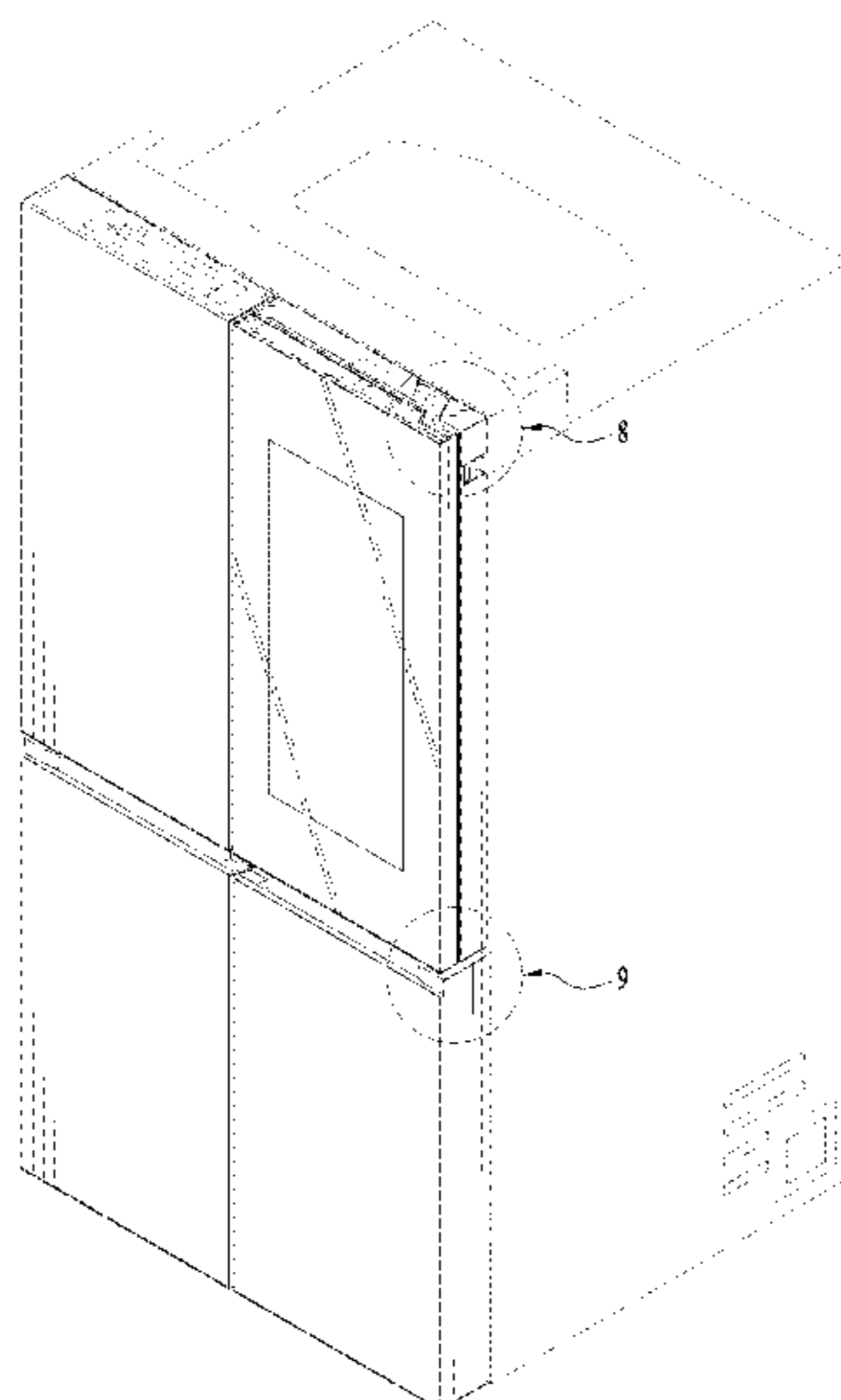
(57) **CLAIM**

The ornamental design for a refrigerator, as shown and described.

**DESCRIPTION**

FIG. 1 is a front perspective view of the refrigerator showing our new design;  
FIG. 2 is a front view thereof;  
FIG. 3 is a back view thereof;  
FIG. 4 is a left side view thereof;  
FIG. 5 is a right side view thereof;  
FIG. 6 is a top plan view thereof;  
FIG. 7 is a bottom plan view thereof;  
FIG. 8 is a partial enlarged view of the region 8 taken from FIG. 1;  
FIG. 9 is a partial enlarged view of the region 9 taken from FIG. 1; and,  
FIG. 10 is a perspective view showing the design in a state of use with the front panel removed for clarity.  
The broken lines depict portions of the refrigerator that form no part of the claimed design. The long dash-short dash-long dash broken lines on FIGS. 1, 8 and 9 depict the boundary of the enlarged view on FIGS. 8 and 9, taken from FIG. 1, and form no part of the claimed design.

**1 Claim, 10 Drawing Sheets**



(56)

**References Cited**

U.S. PATENT DOCUMENTS

D715,335 S \* 10/2014 Kim ..... D15/85  
 D729,285 S \* 5/2015 Seo ..... D15/85  
 D740,335 S \* 10/2015 Hwang ..... D15/89  
 D741,380 S \* 10/2015 Ogg ..... D15/86  
 D786,317 S \* 5/2017 Kim ..... D15/85  
 D798,915 S \* 10/2017 Vicari ..... D15/86  
 D807,410 S \* 1/2018 Cho ..... D15/86  
 D814,533 S \* 4/2018 Kim ..... D15/85  
 D832,312 S \* 10/2018 Kim ..... D15/86  
 D838,297 S \* 1/2019 Choi ..... D15/81  
 D847,875 S \* 5/2019 Kim ..... D15/85  
 D869,518 S \* 12/2019 Lee ..... D15/85  
 D888,110 S \* 6/2020 Lee ..... D15/85  
 D905,767 S \* 12/2020 Lee ..... D15/89  
 D921,064 S \* 6/2021 Lee ..... D15/89  
 D921,065 S \* 6/2021 Lee ..... D15/89  
 D921,711 S \* 6/2021 Lee ..... D15/85  
 D921,714 S \* 6/2021 Yoon ..... D15/86

D933,110 S \* 10/2021 Lee ..... D15/86  
 2015/0069900 A1 \* 3/2015 Lim ..... F25D 23/025  
 312/405  
 2015/0225225 A1 \* 8/2015 Tae ..... B67D 1/0858  
 222/146.2

OTHER PUBLICATIONS

Samsung, RF23A9671SR 36 Inch Counter Depth 4-Door Flex™ Smart Refrigerator, (site visited Dec. 16, 2021), AJ Madison website, URL:<<https://www.ajmadison.com/cgi-bin/ajmadison/RF23A9671.html>> (Year: 2021).\*

Cafe, CQE28DM5NS5 36 Inch 4-Door French Door Smart Refrigerator, (site visited Dec. 16, 2021), AJ Madison website, URL:<<https://www.ajmadison.com/cgi-bin/ajmadison/CQE28DM5NS5.html>> (Year: 2021).\*

Dacor, DRF36C700SR 36 Inch Smart French Door Refrigerator, (site visited Dec. 16, 2021), AJ Madison website, URL:<<https://www.ajmadison.com/cgi-bin/ajmadison/DRF36C700X.html>> (Year: 2021).\*

\* cited by examiner

FIG. 1

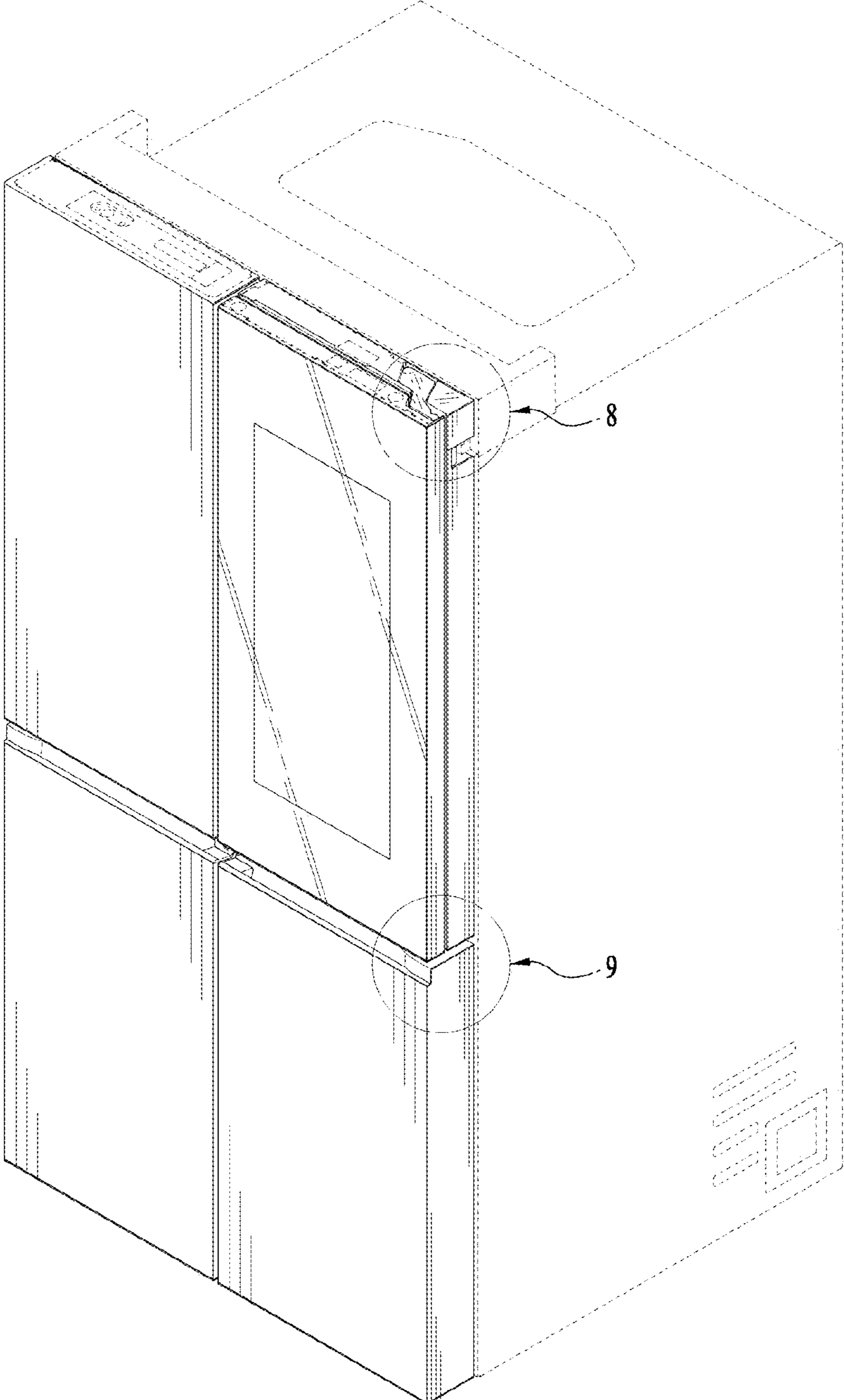


FIG. 2

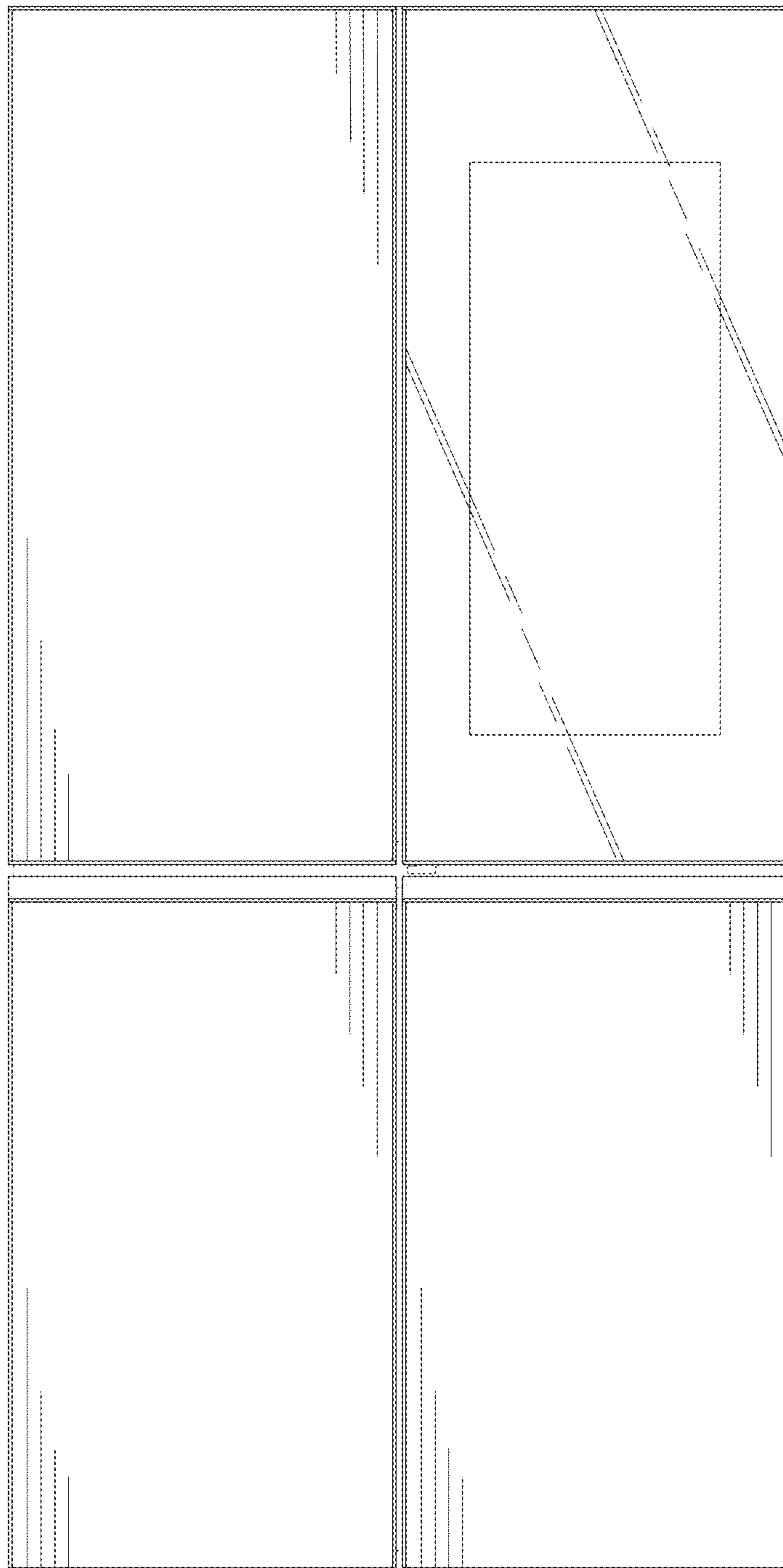


FIG. 3



FIG. 4

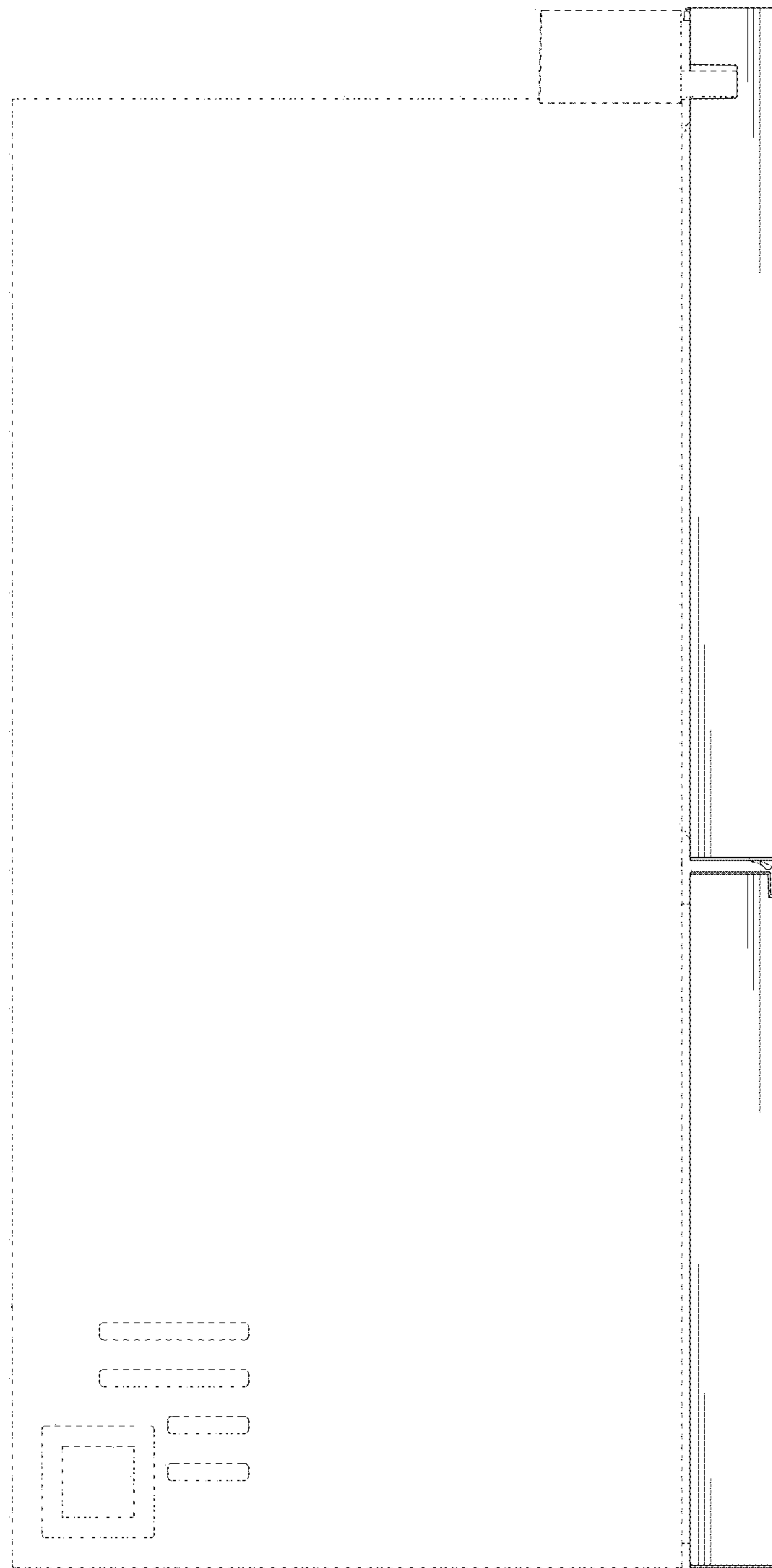


FIG. 5

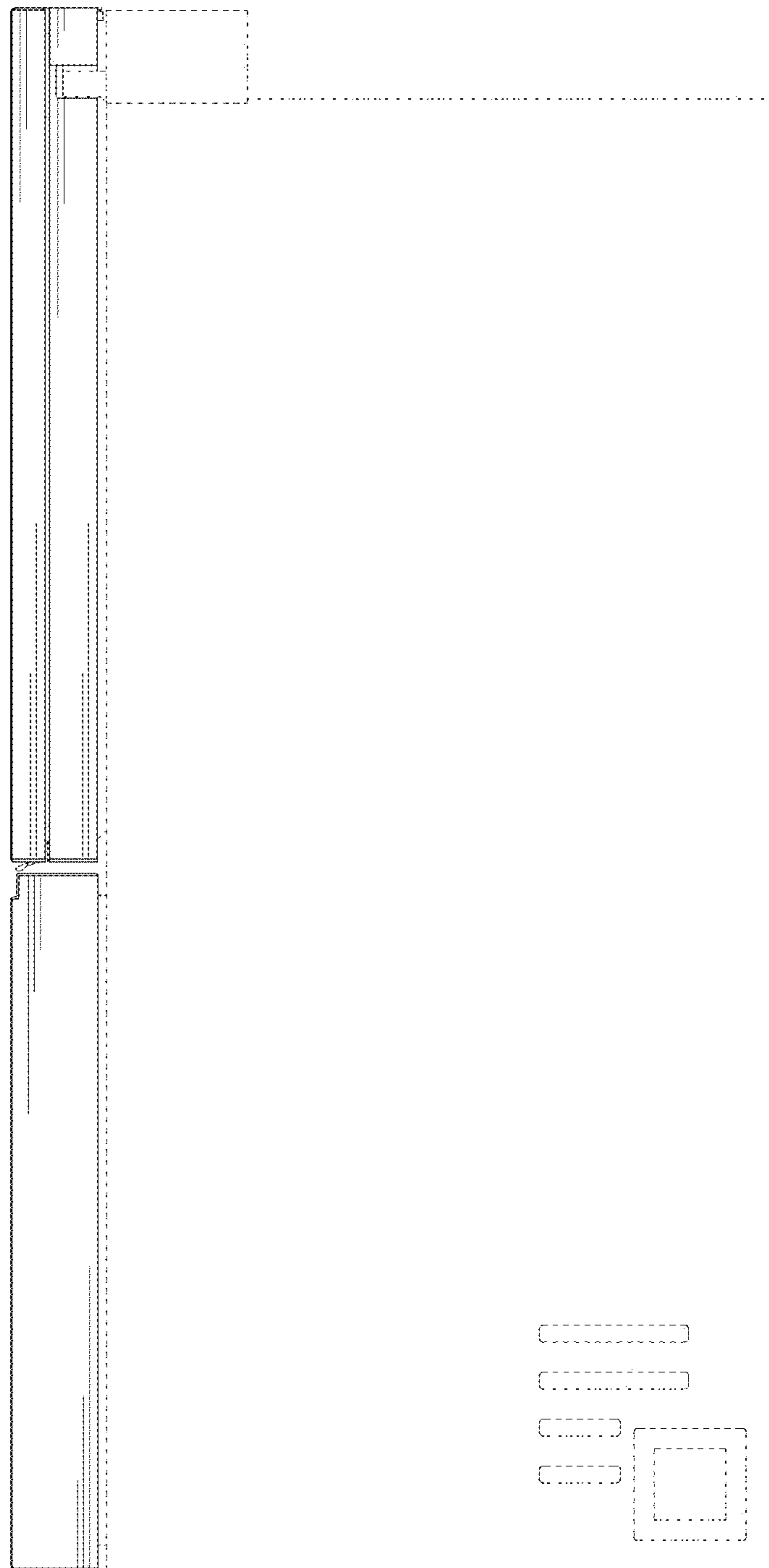


FIG. 6

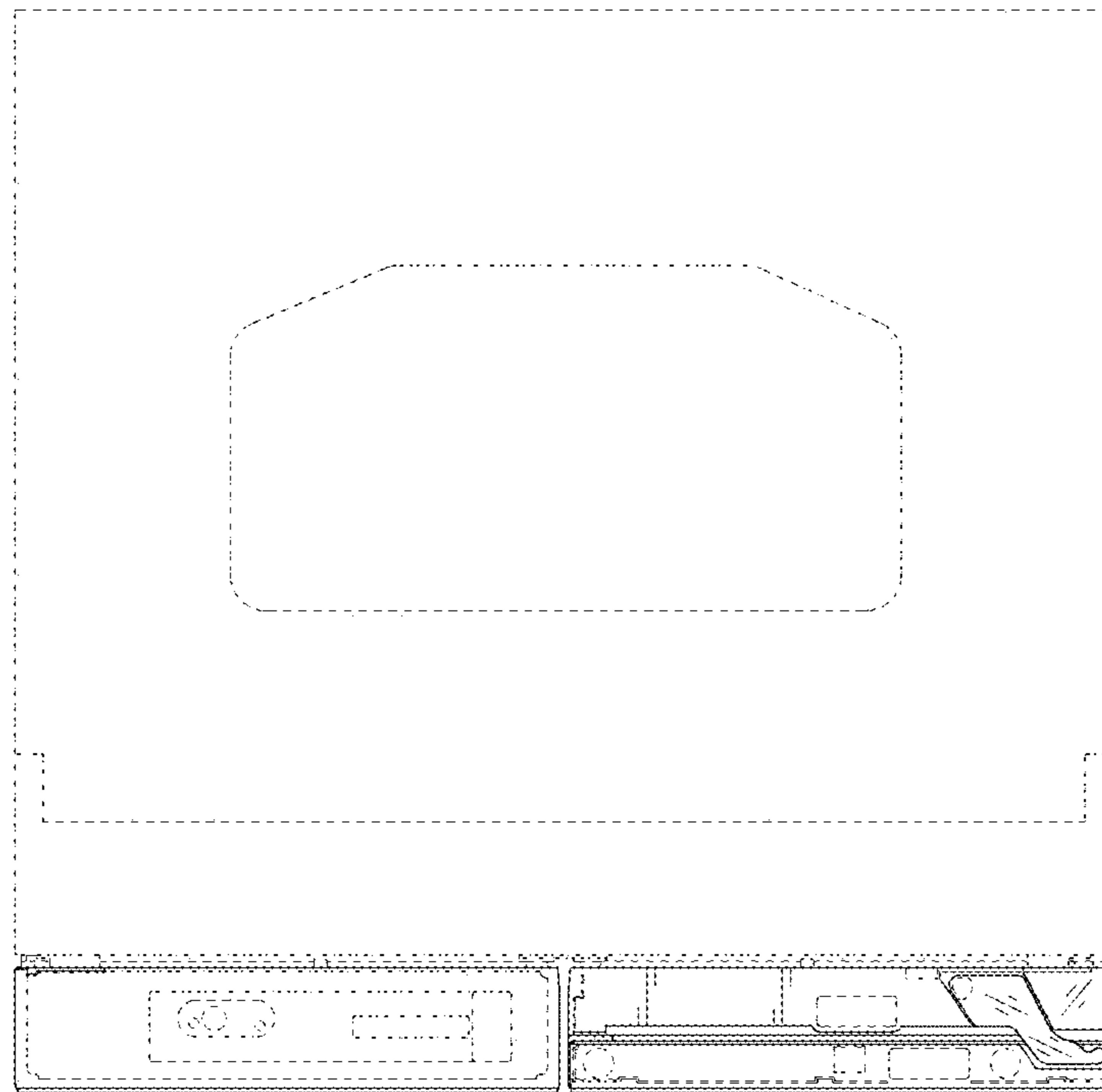




FIG. 7

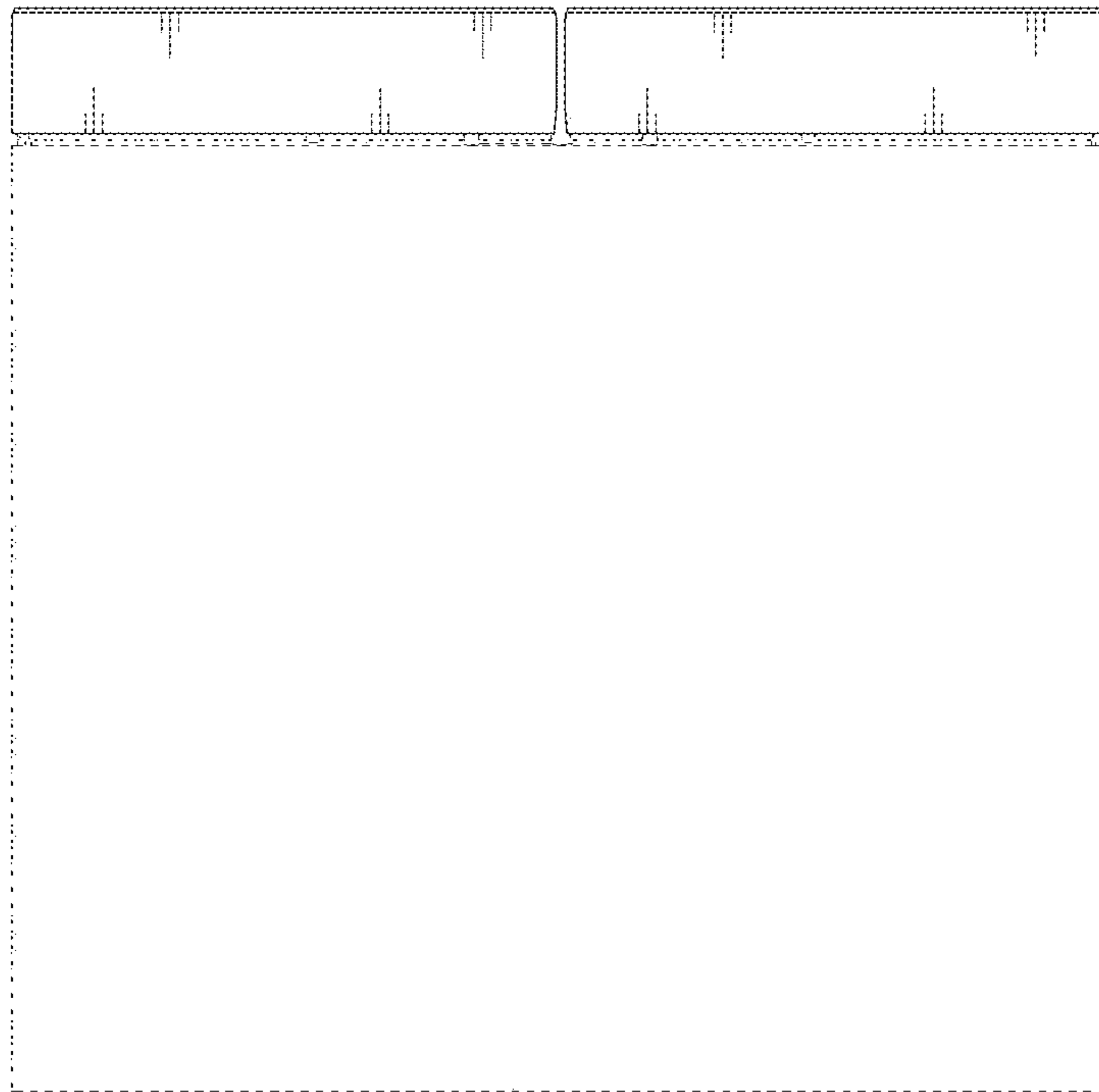


FIG. 8

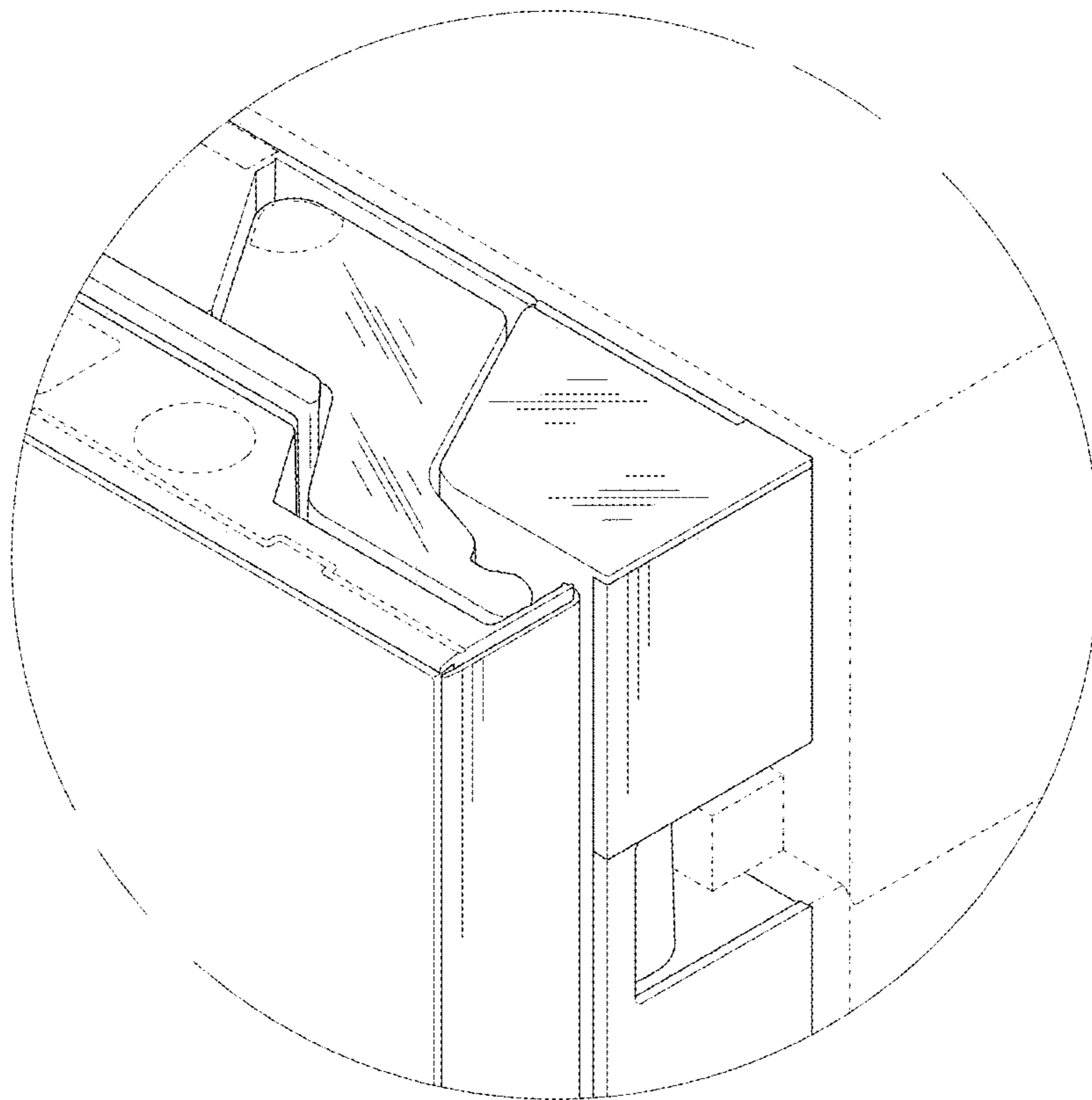


FIG. 9

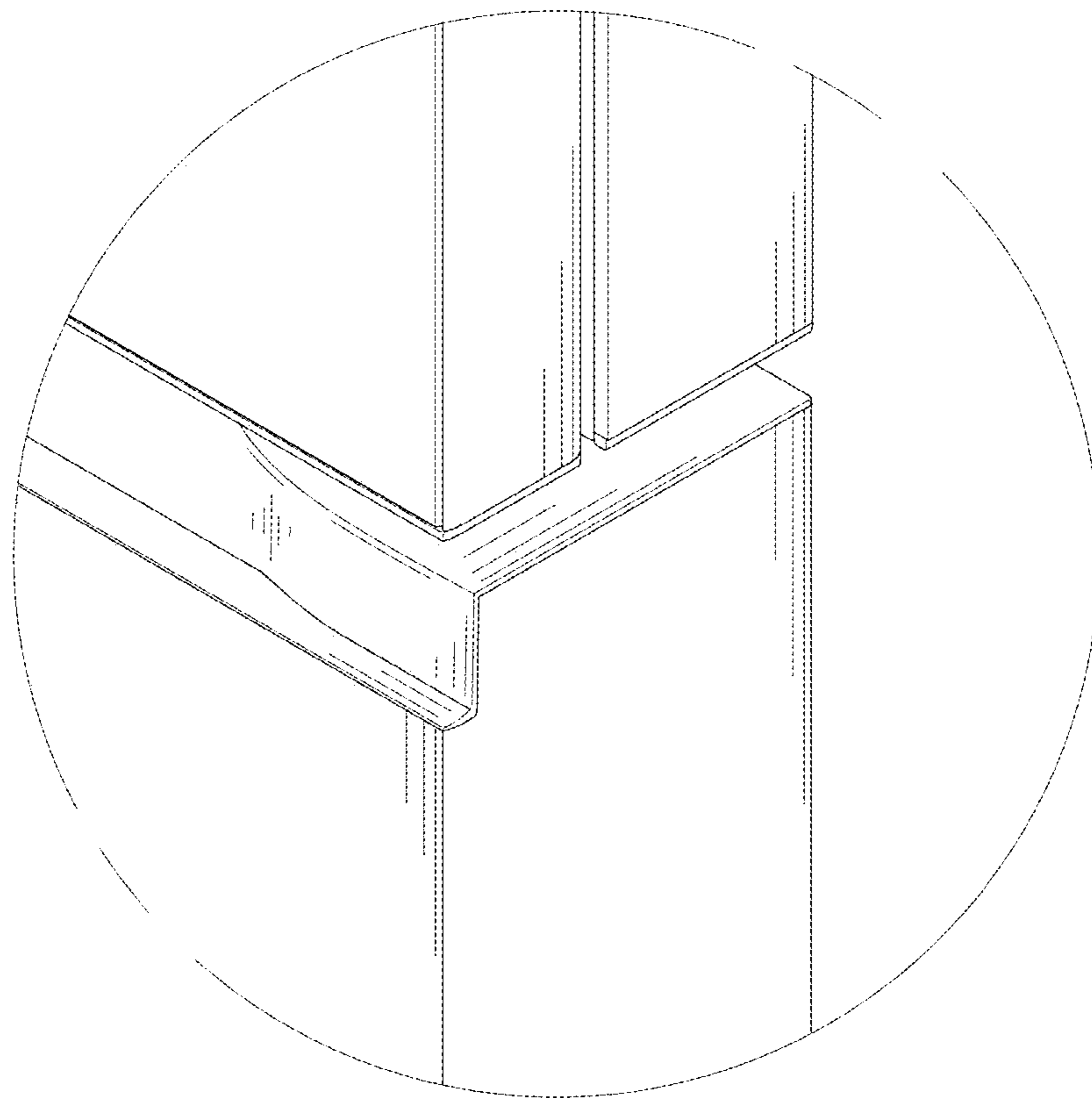


FIG. 10

