



US00D962304S

(12) **United States Design Patent** (10) **Patent No.:** **US D962,304 S**
Jeon et al. (45) **Date of Patent:** **** Aug. 30, 2022**

(54) **REFRIGERATOR**

(71) Applicant: **SAMSUNG ELECTRONICS CO., LTD.**, Suwon-si (KR)

(72) Inventors: **Sang-Woon Jeon**, Suwon-si (KR); **Hong-Uk Lee**, Suwon-si (KR); **Se Youn Park**, Suwon-si (KR)

(73) Assignee: **SAMSUNG ELECTRONICS CO., LTD.**, Gyeonggi-Do (KR)

(**) Term: **15 Years**

(21) Appl. No.: **29/695,212**

(22) Filed: **Jun. 17, 2019**

(30) **Foreign Application Priority Data**

Dec. 18, 2018 (KR) 30-2018-0059785
Dec. 18, 2018 (KR) 30-2018-0059786
Dec. 18, 2018 (KR) 30-2018-0059787
Dec. 18, 2018 (KR) 30-2018-0059788

(51) **LOC (13) Cl.** **15-07**

(52) **U.S. Cl.**
USPC **D15/85**

(58) **Field of Classification Search**
USPC D15/79-91
(Continued)

(56) **References Cited**

U.S. PATENT DOCUMENTS

D700,222 S * 2/2014 Sin D15/89
D709,931 S * 7/2014 Park D15/91
(Continued)

FOREIGN PATENT DOCUMENTS

CN 303143996 3/2015
EM 0007727280003 12/2007
(Continued)

Primary Examiner — Khawaja Anwar

(74) *Attorney, Agent, or Firm* — Cantor Colburn LLP

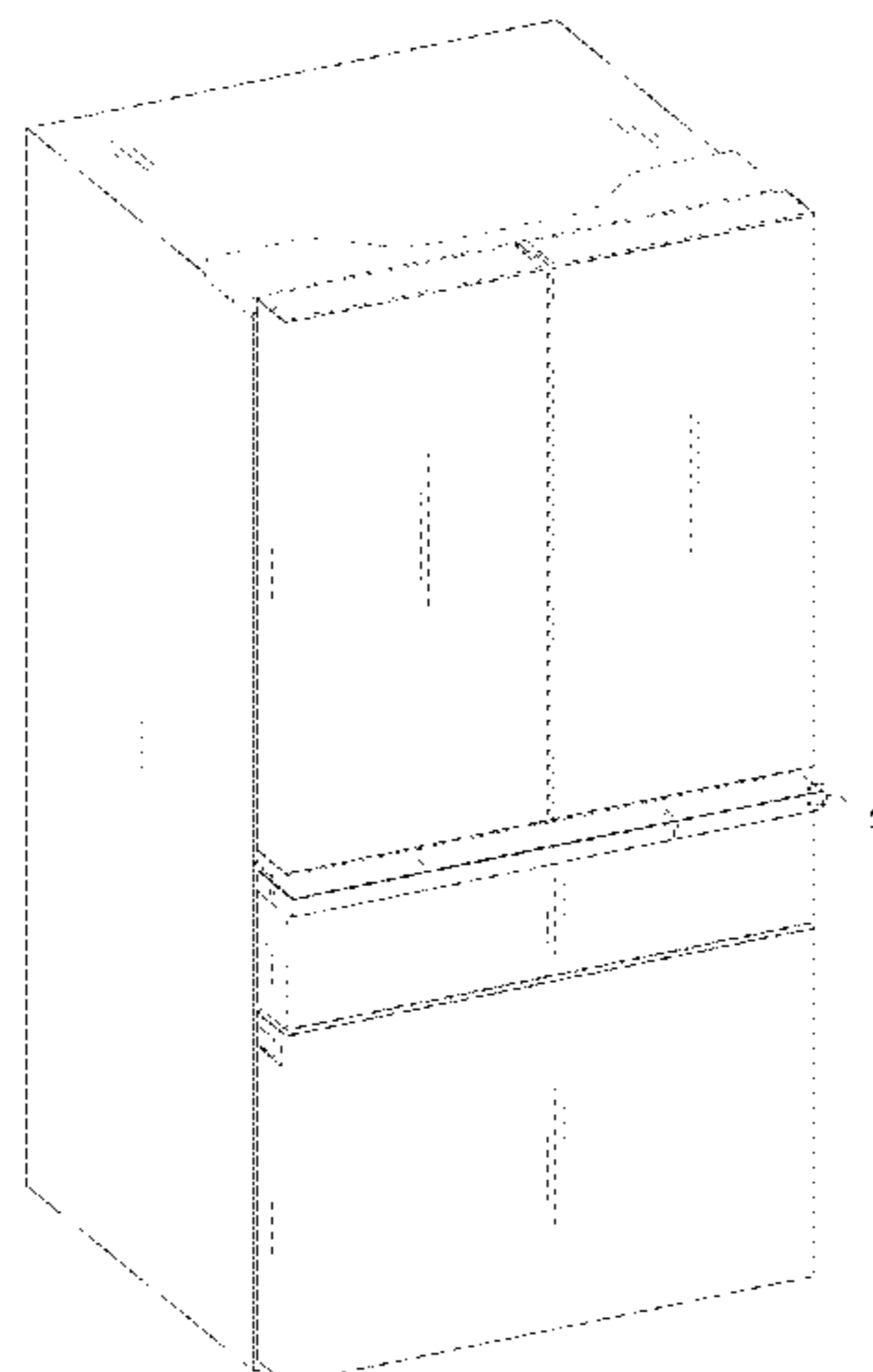
(57) **CLAIM**

The ornamental design for a refrigerator, as shown and described.

DESCRIPTION

FIG. 1 is a front perspective view of a refrigerator, showing our new design in a first embodiment; FIG. 2 is a front view thereof; FIG. 3 is a rear view thereof; FIG. 4 is a left-side view thereof; FIG. 5 is a right-side view thereof; FIG. 6 is a top view thereof; FIG. 7 is a bottom view thereof; FIG. 8 is a bottom perspective view thereof; FIG. 9 is an enlarged view of the encircled portion '9' in FIG. 1; FIG. 10 is a front perspective view of a refrigerator, showing our new design in a second embodiment; FIG. 11 is a front view thereof; FIG. 12 is a rear view thereof; FIG. 13 is a left-side view thereof; FIG. 14 is a right-side view thereof; FIG. 15 is a top view thereof; FIG. 16 is a bottom view thereof; FIG. 17 is a bottom perspective view thereof; FIG. 18 is an enlarged view of the encircled portion '18' in FIG. 10; FIG. 19 is a front perspective view of a refrigerator, showing our new design in a third embodiment; FIG. 20 is a front view thereof; FIG. 21 is a rear view thereof; FIG. 22 is a left-side view thereof; FIG. 23 is a right-side view thereof; FIG. 24 is a top view thereof; FIG. 25 is a bottom view thereof; FIG. 26 is a bottom perspective view thereof; and, FIG. 27 is an enlarged view of the encircled portion '27' in FIG. 19. The dot-dash broken lines encircling enlargement portions in FIGS. 9, 18, and 27 form no part of the claimed design. The broken lines illustrating portions of the refrigerator form no part of the claimed design.

1 Claim, 27 Drawing Sheets



(58) **Field of Classification Search**

CPC F25D 23/126; F25D 2400/02; F25D
2400/06; F25D 2400/361; F25D 2400/40;
F25D 25/005; F25D 25/02; F25D
2600/02; F25D 2700/02; F25D 2700/12;
F25D 2700/121; F25D 2700/14; F25D
29/00; F25D 2317/061; F25D 2317/067;
F25D 2323/021; F25D 2323/024; F25D
23/028; F25D 23/04; F25D 23/066; F25D
23/085; F25D 23/087

See application file for complete search history.

(56) **References Cited**

U.S. PATENT DOCUMENTS

D715,839	S	*	10/2014	Park	D15/91
D747,368	S	*	1/2016	Kim	D15/91
D786,946	S	*	5/2017	Kim	D15/85
D838,299	S	*	1/2019	Lee	D15/85
D839,324	S	*	1/2019	Choi	D15/91
D847,215	S	*	4/2019	Jeon	D15/85
D855,085	S	*	7/2019	Jeon	D15/85
D855,086	S	*	7/2019	Jeon	D15/85

FOREIGN PATENT DOCUMENTS

JP	1273674	6/2006
KR	300707560	9/2013
KR	300842416	2/2016

* cited by examiner

FIG. 1

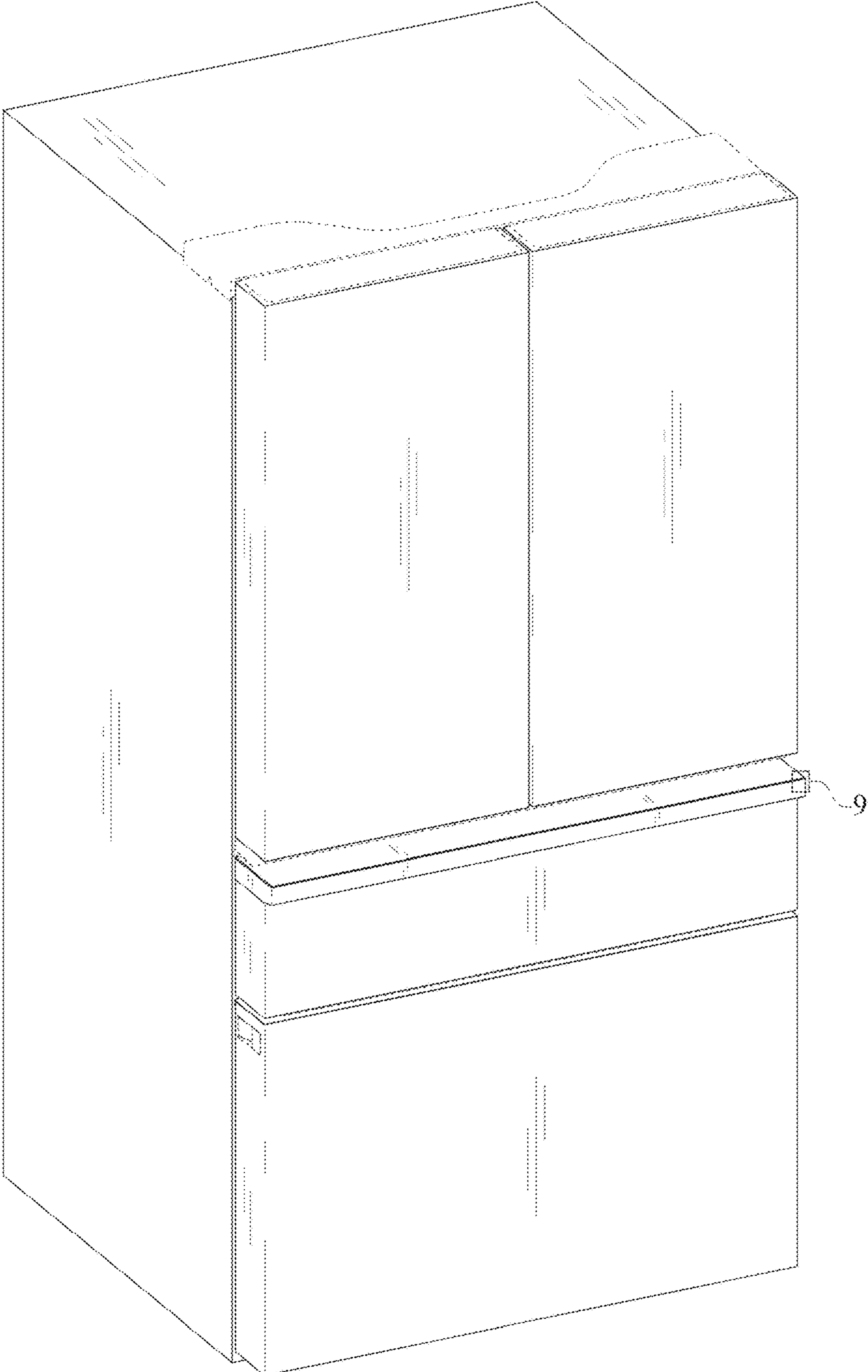


FIG. 2

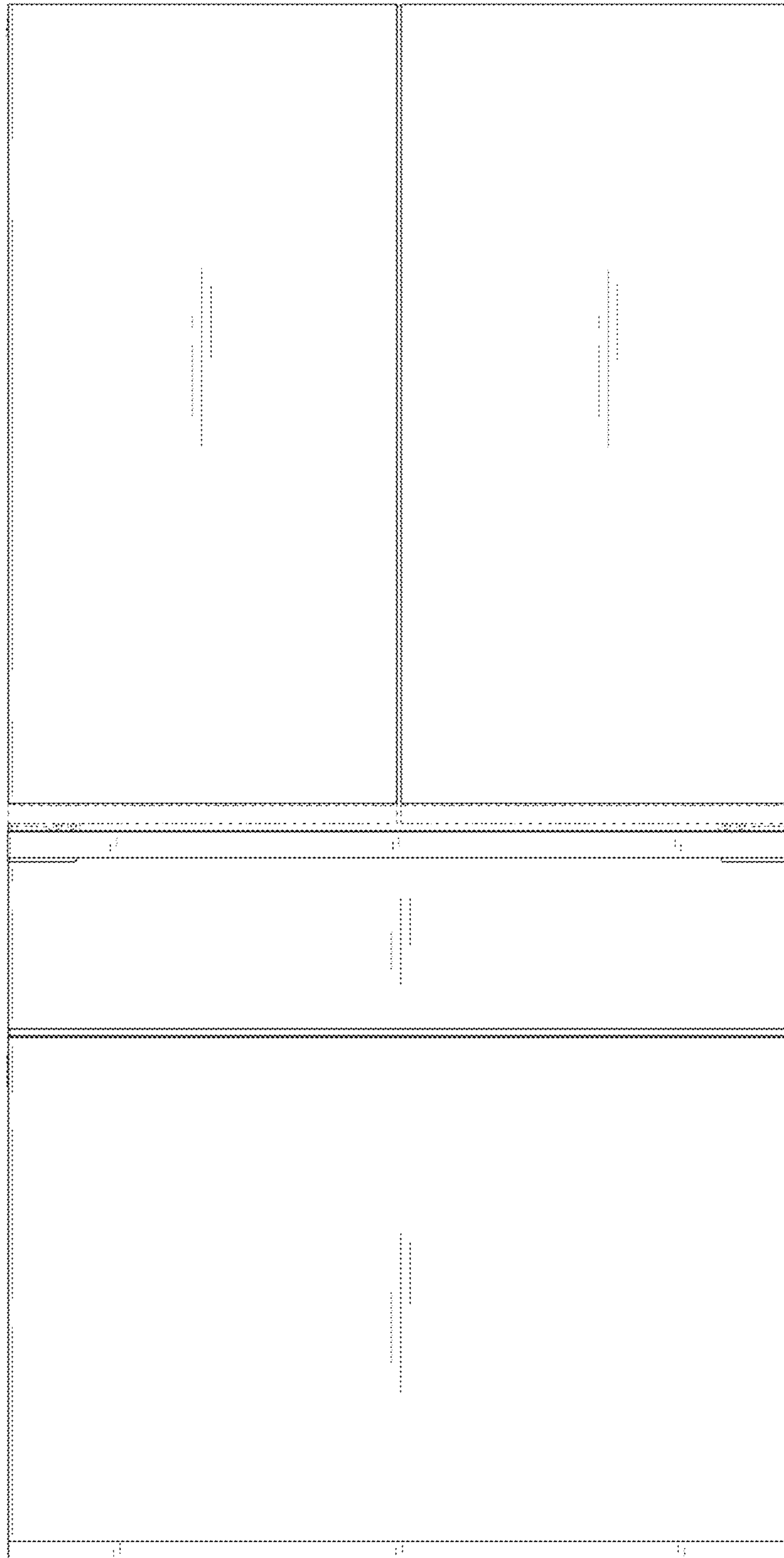


FIG. 3

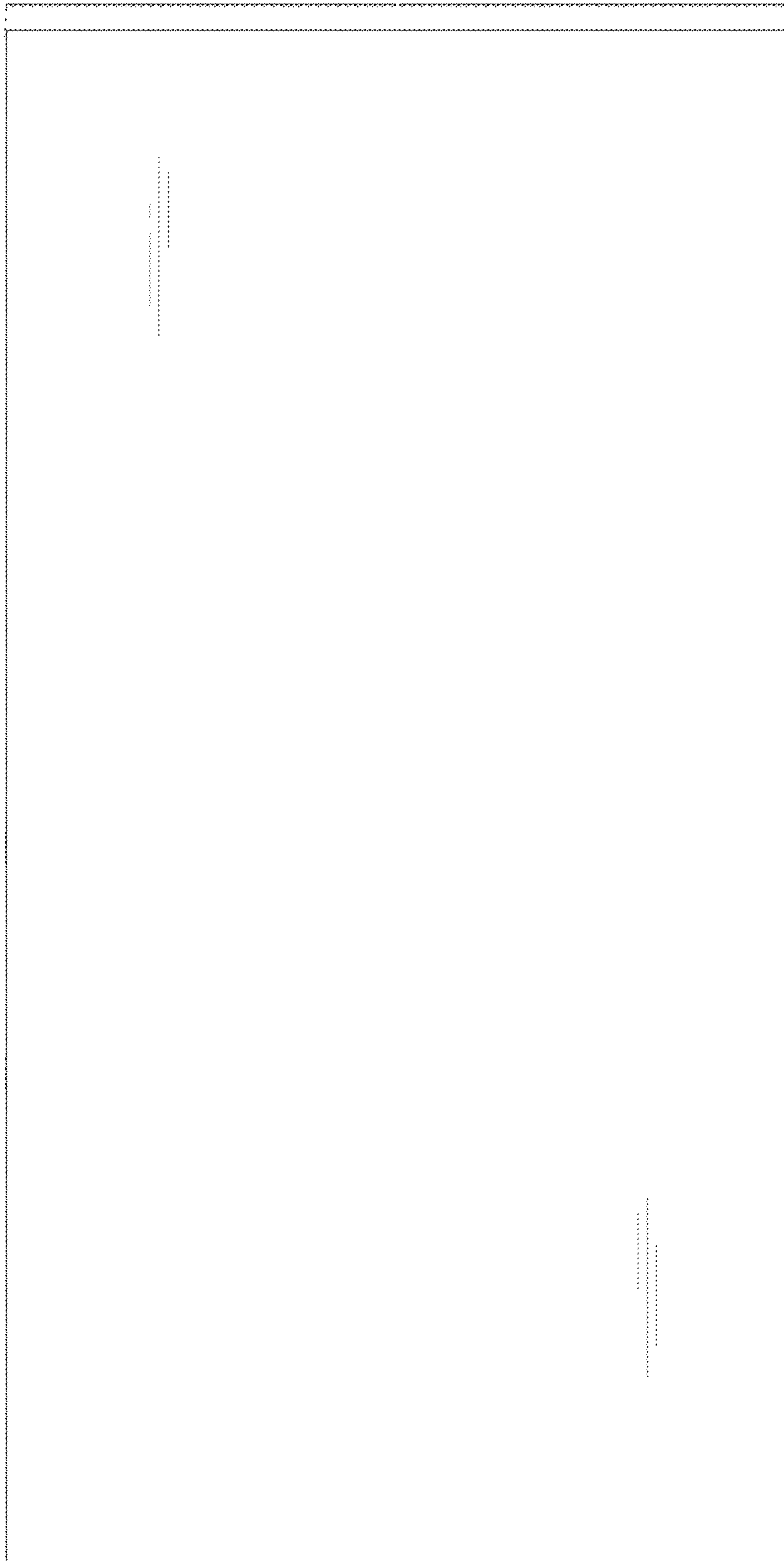


FIG. 4

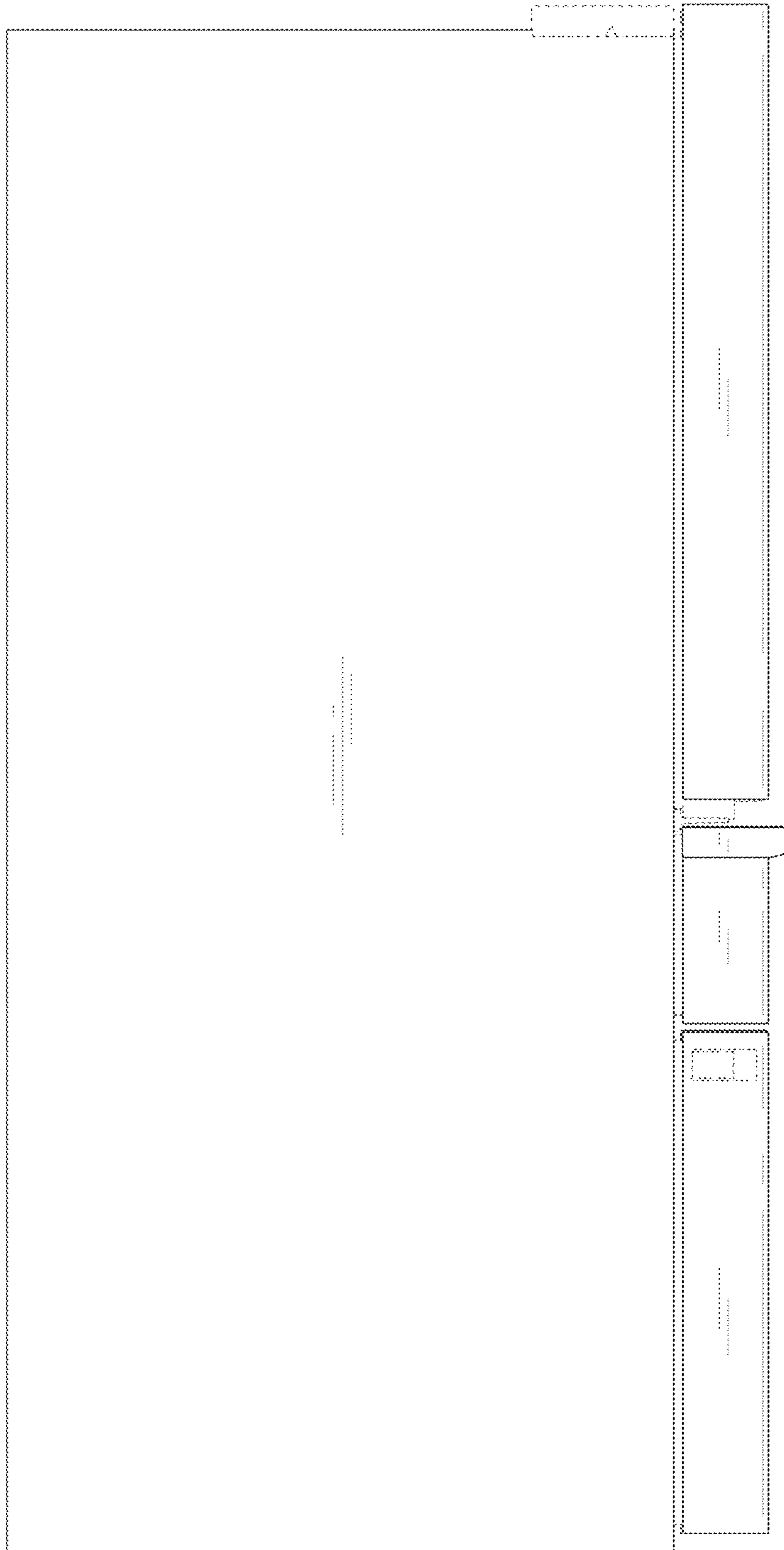


FIG. 5

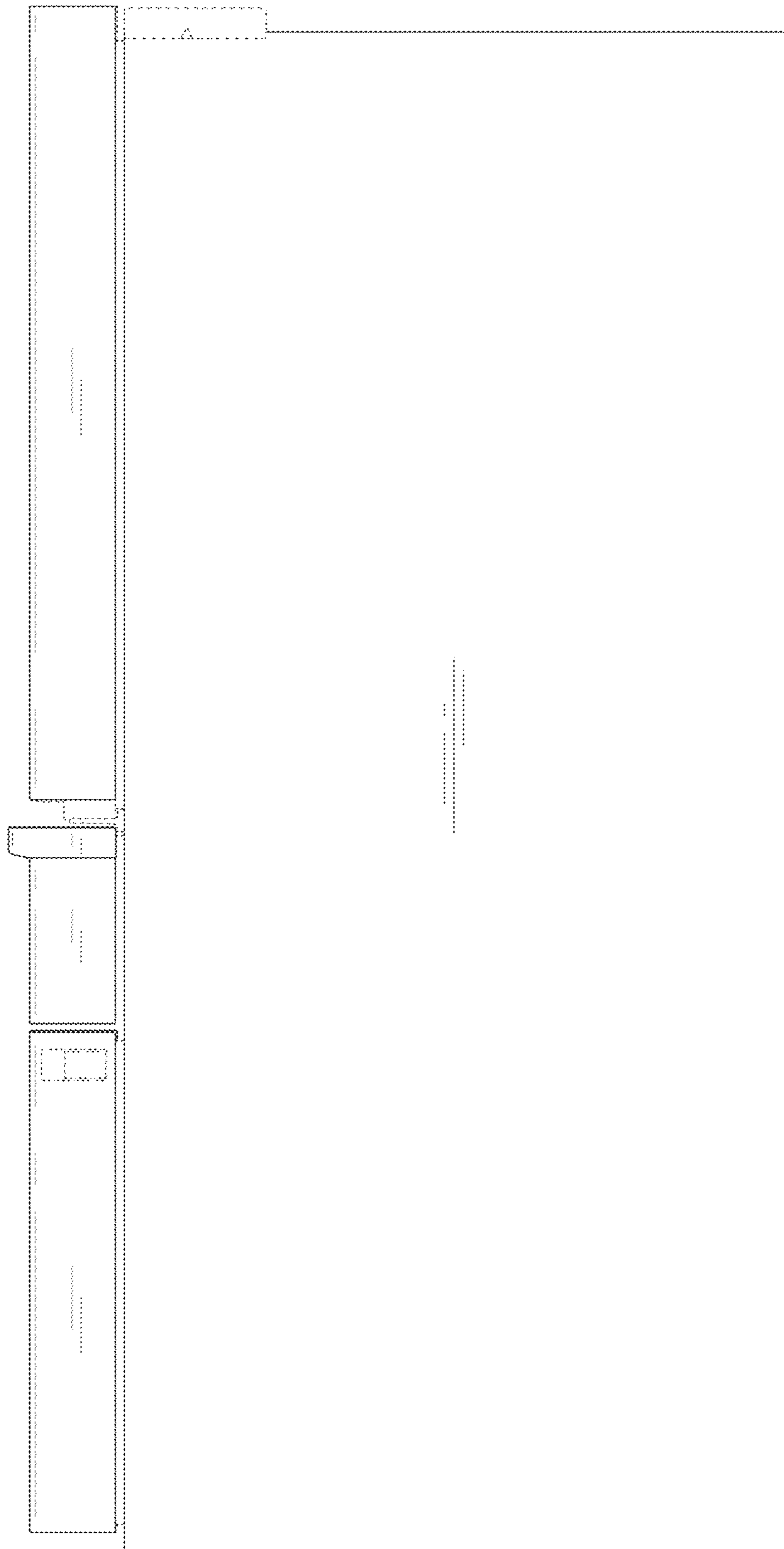


FIG. 6

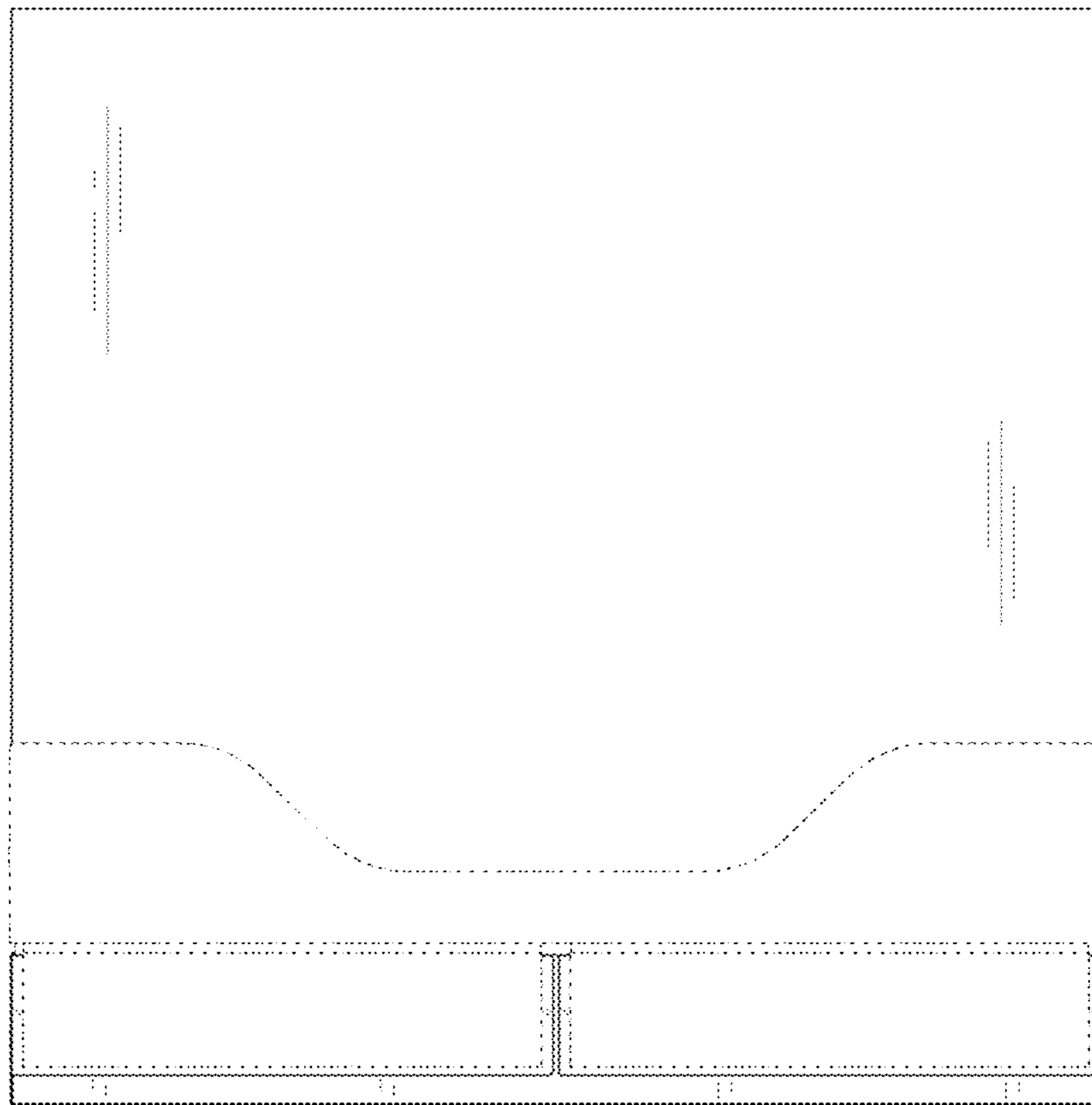


FIG. 7

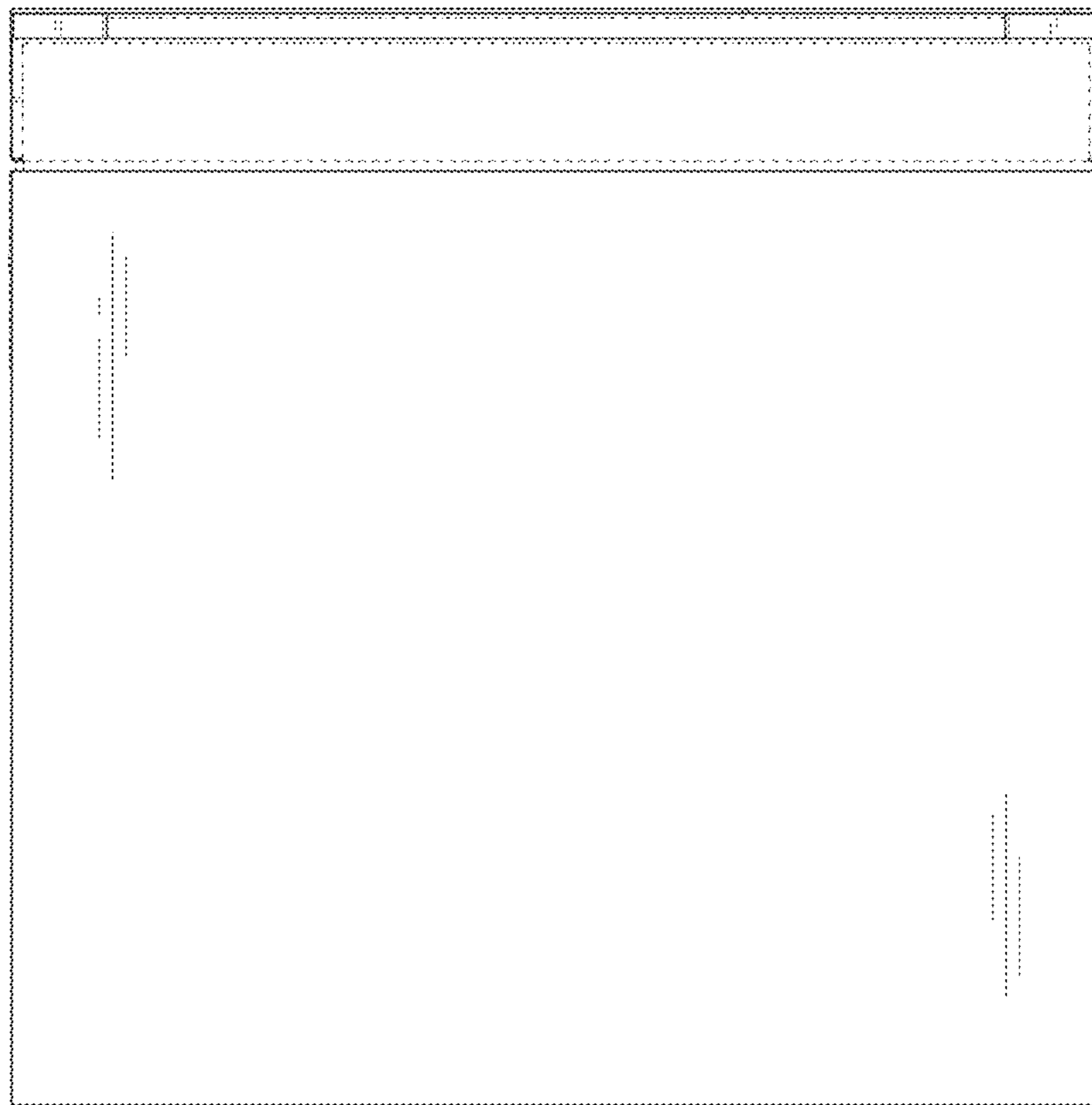


FIG. 8

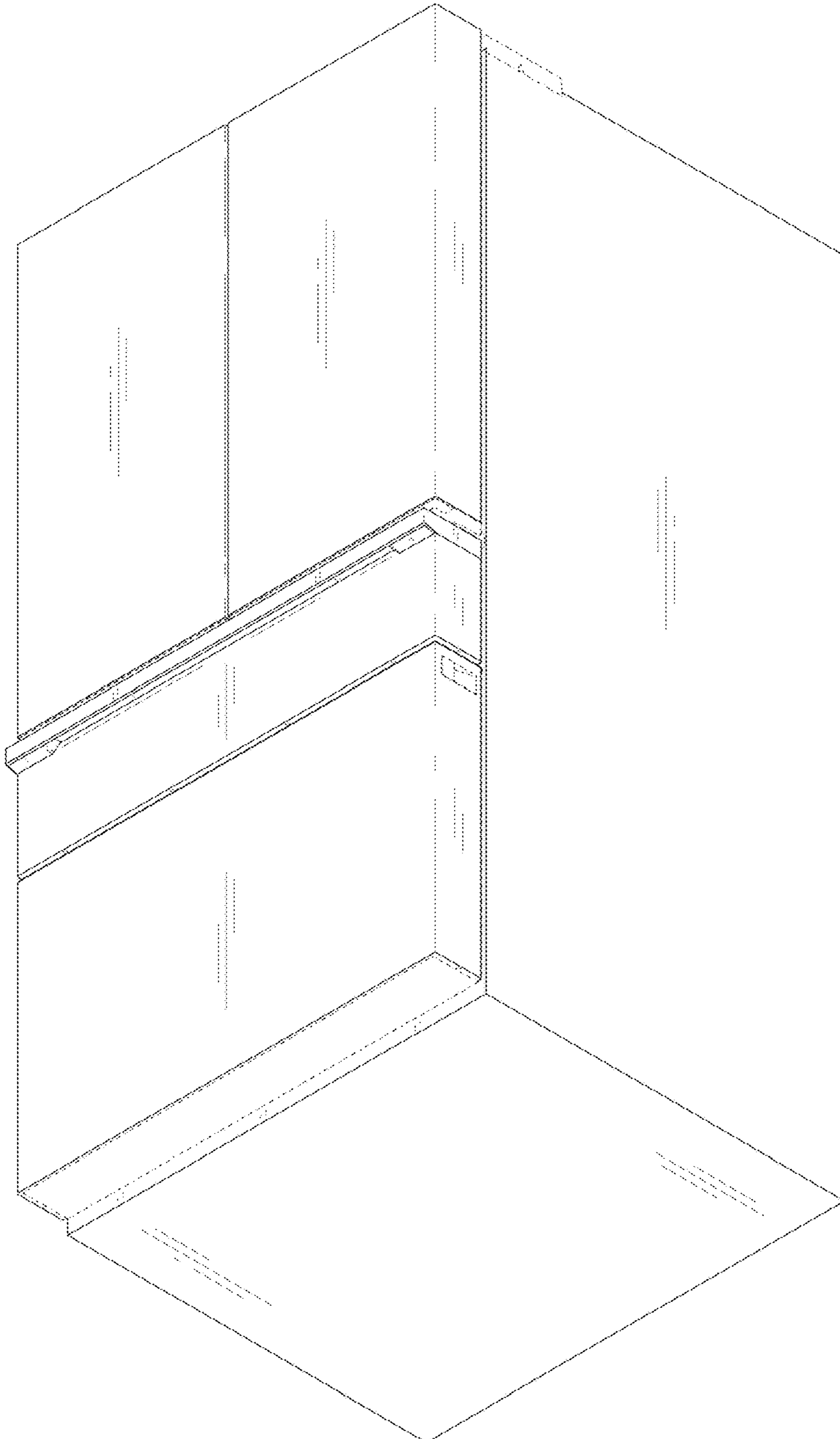


FIG. 9

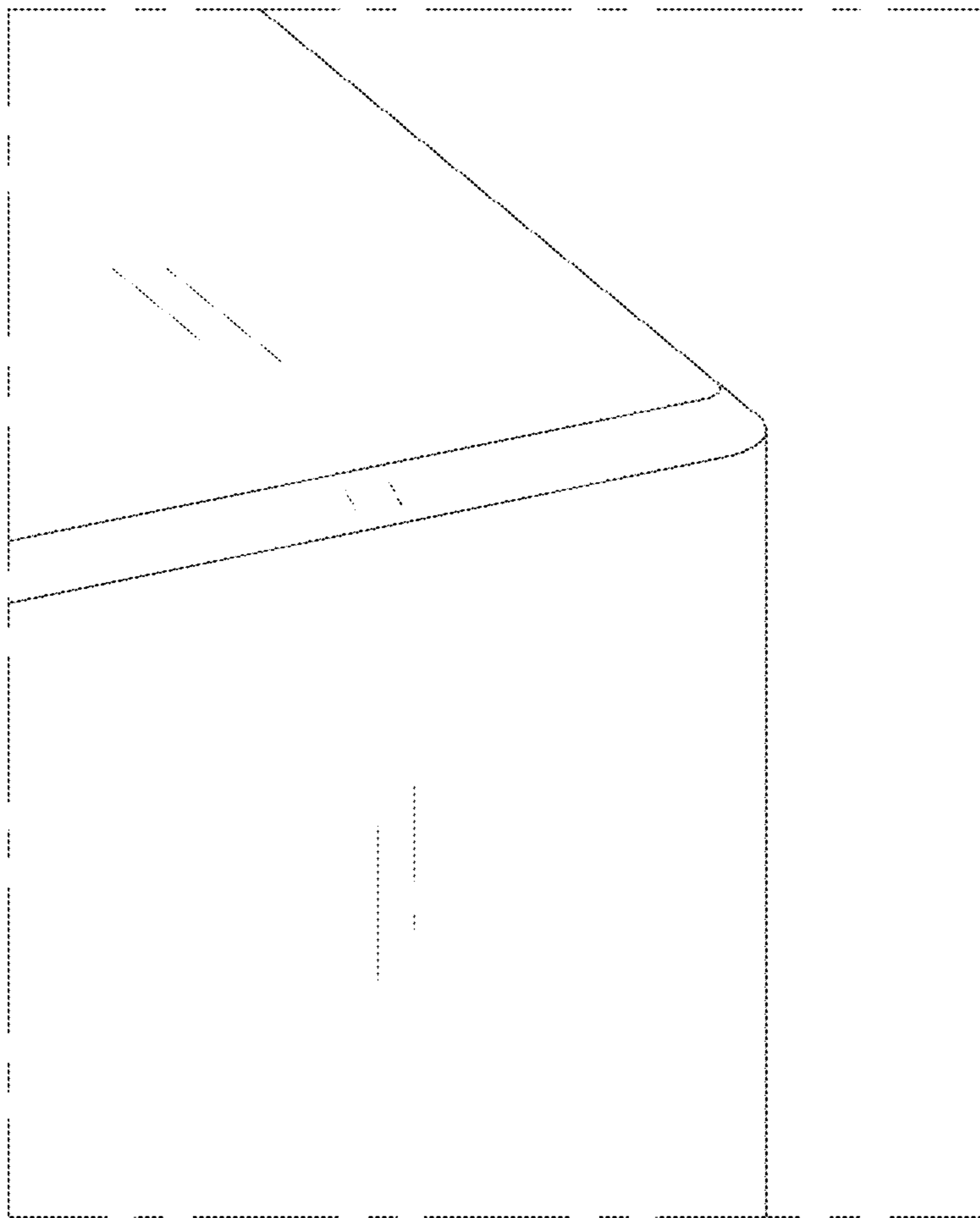


FIG. 10

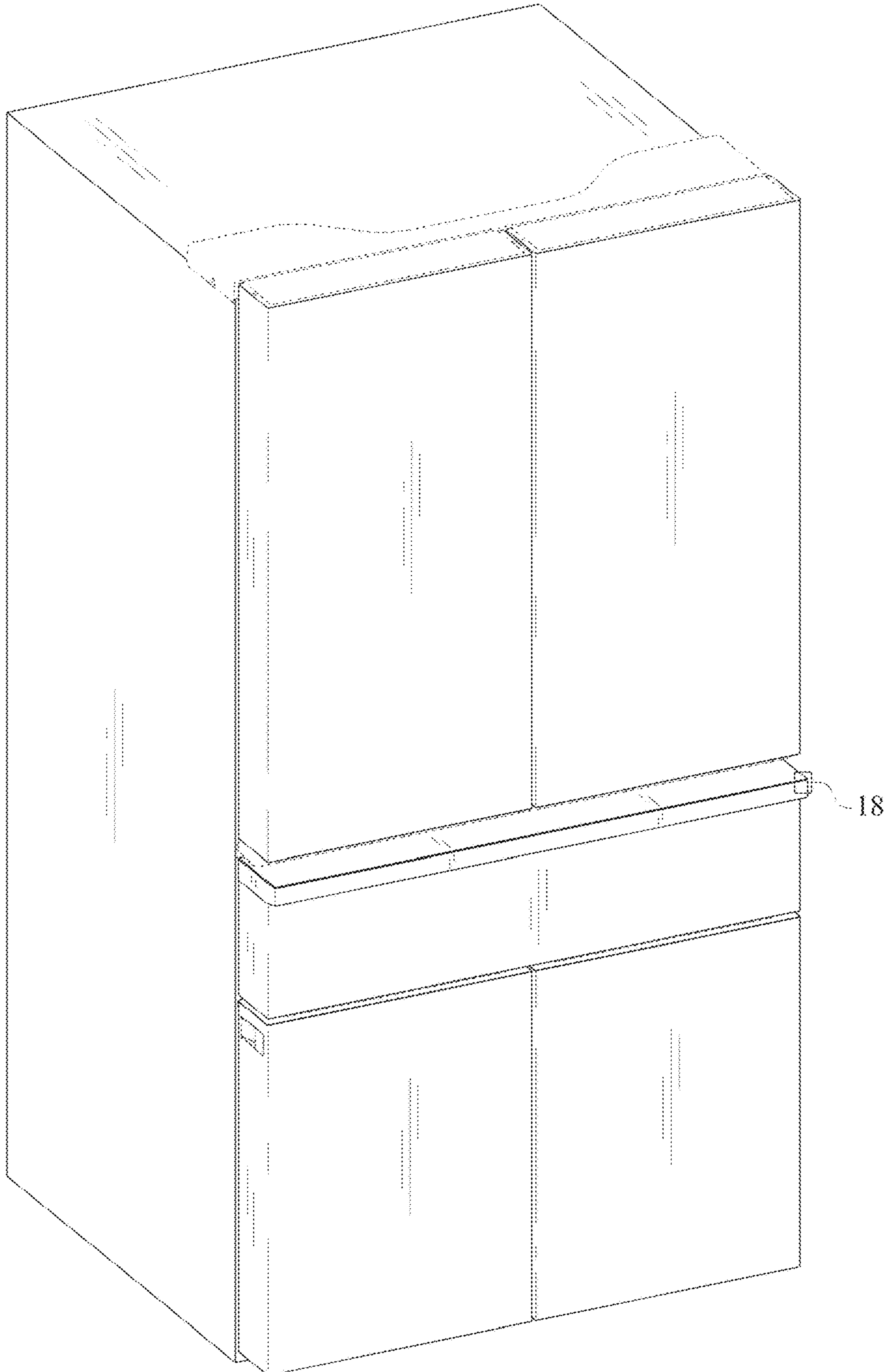


FIG. 11

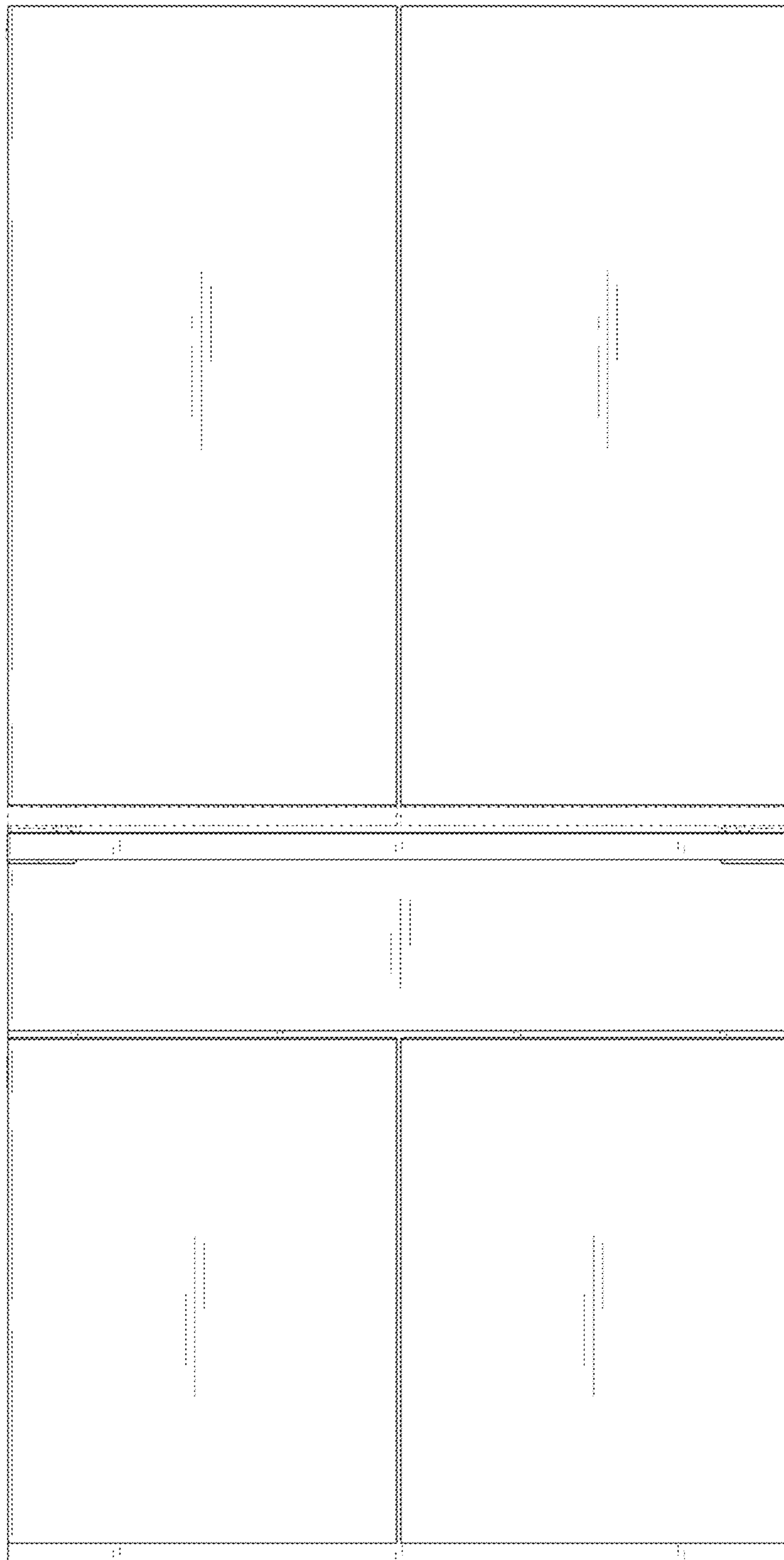


FIG. 12

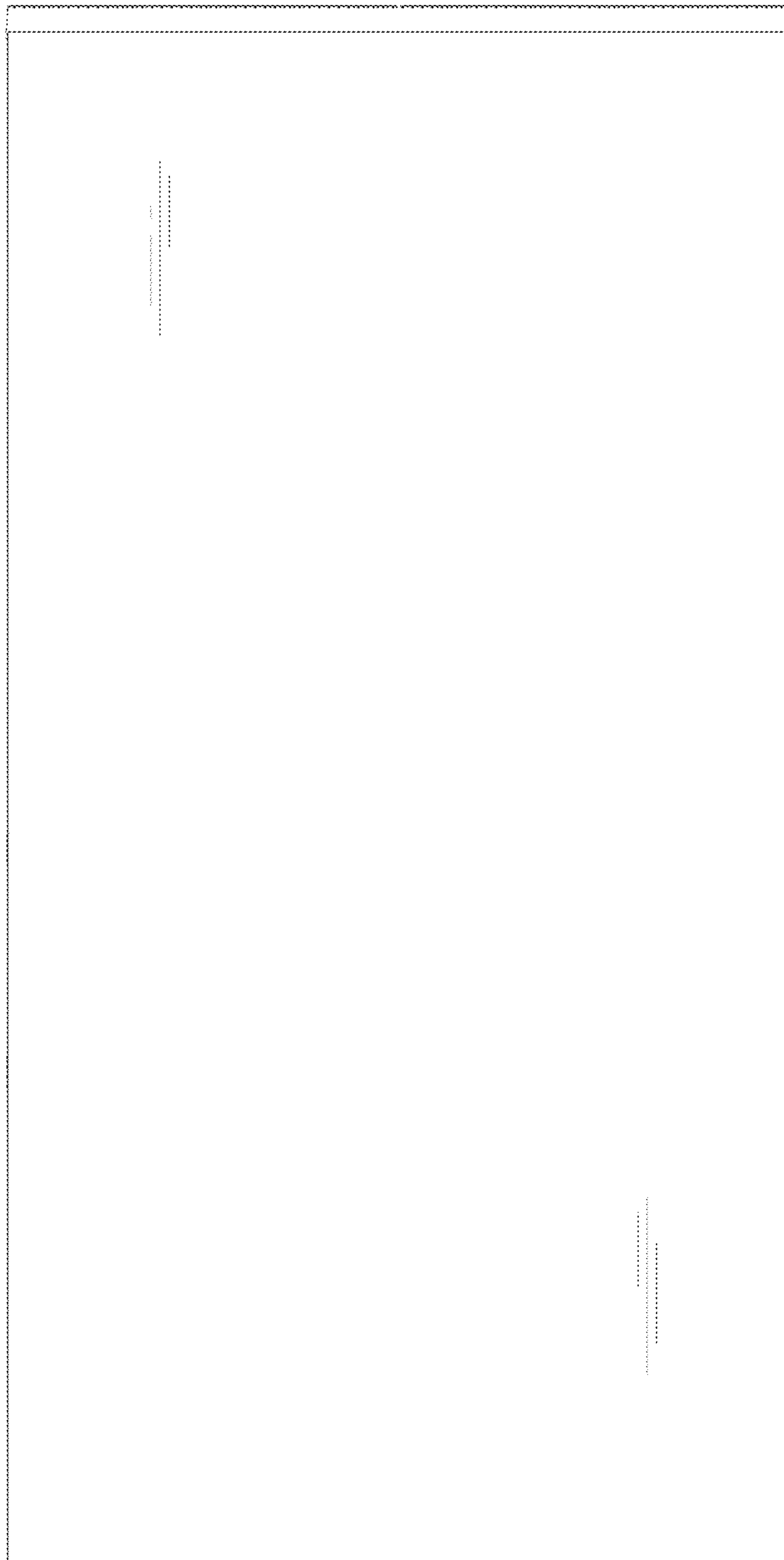


FIG. 13

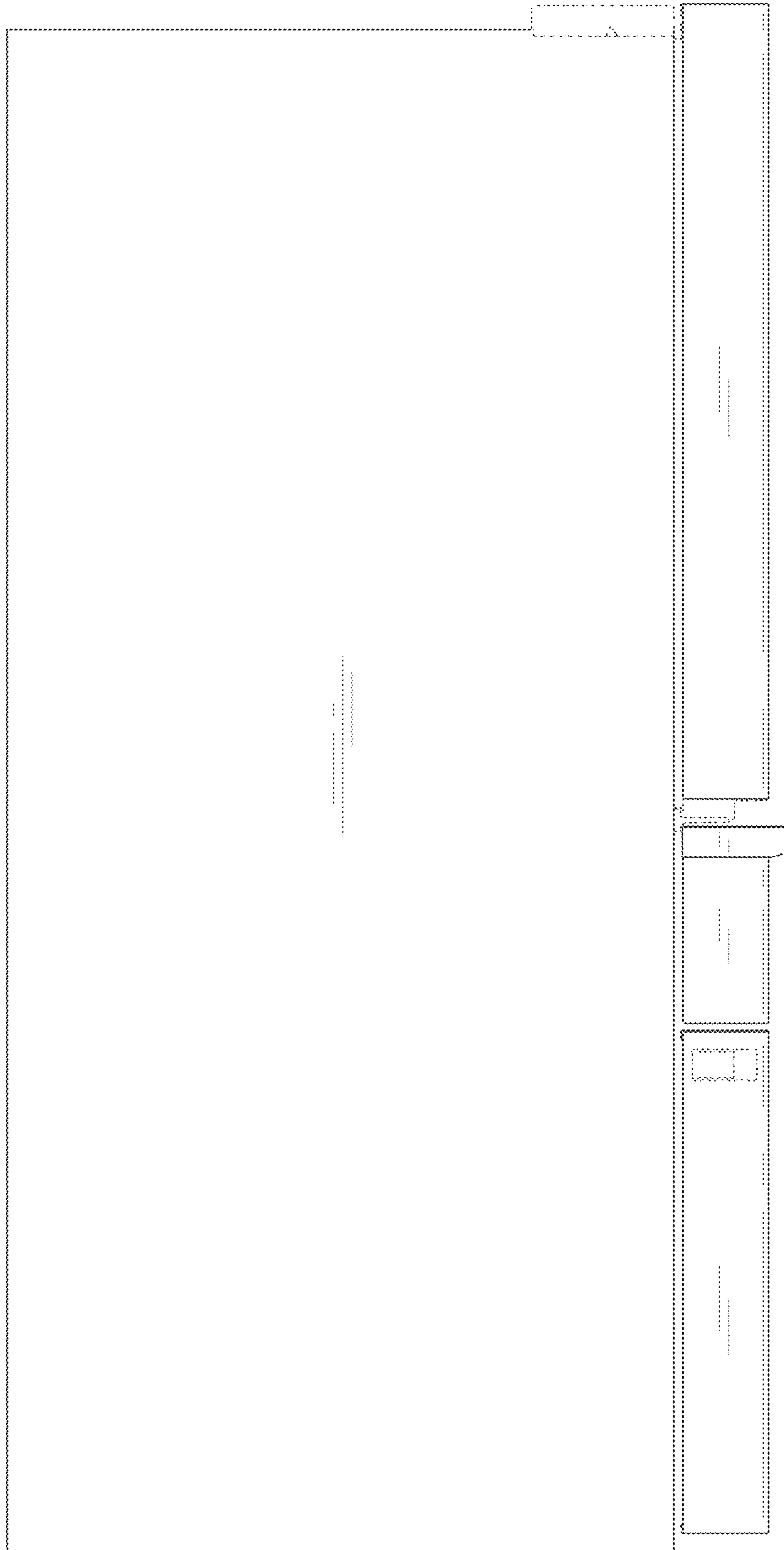


FIG. 14

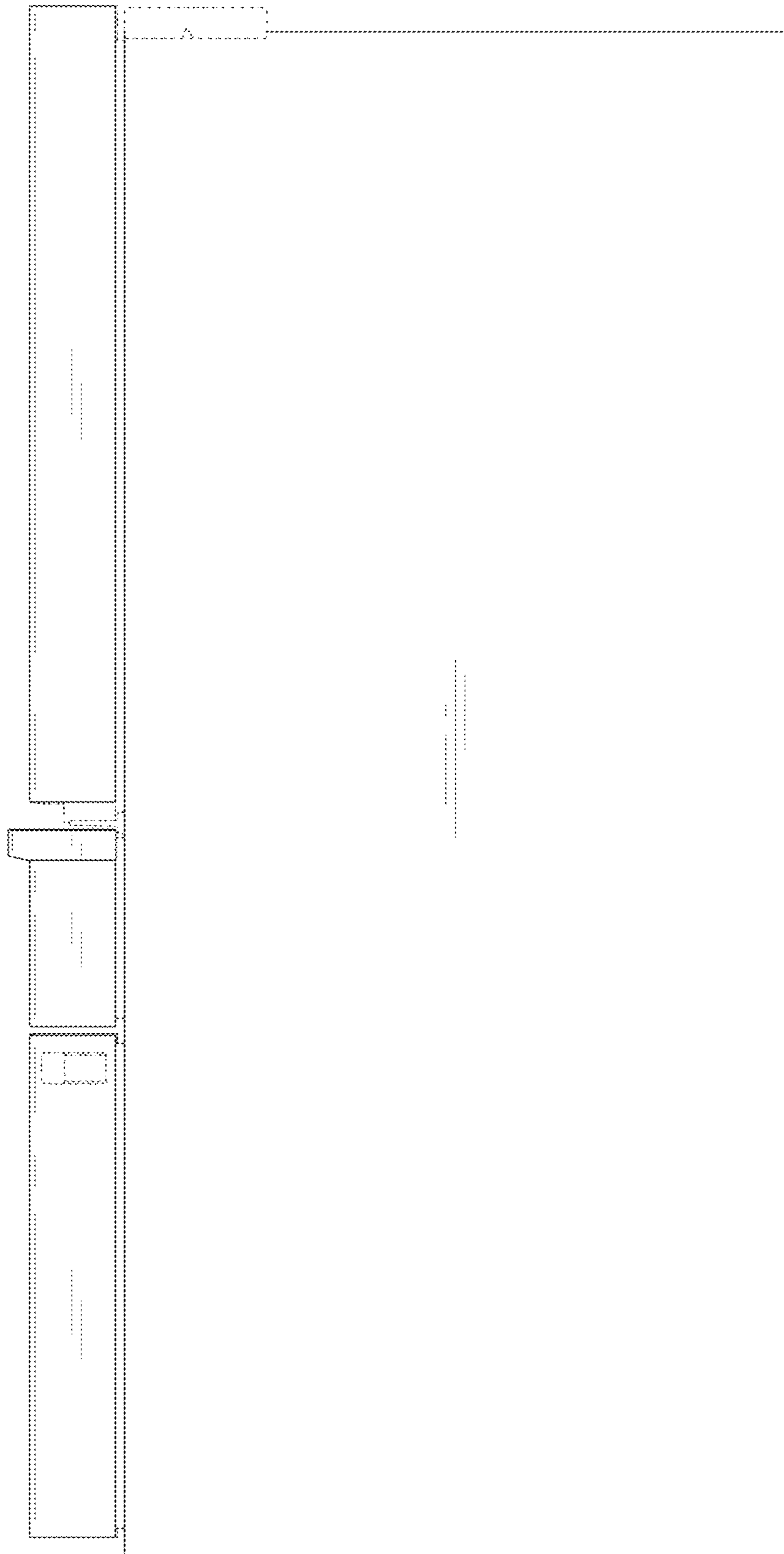


FIG. 15

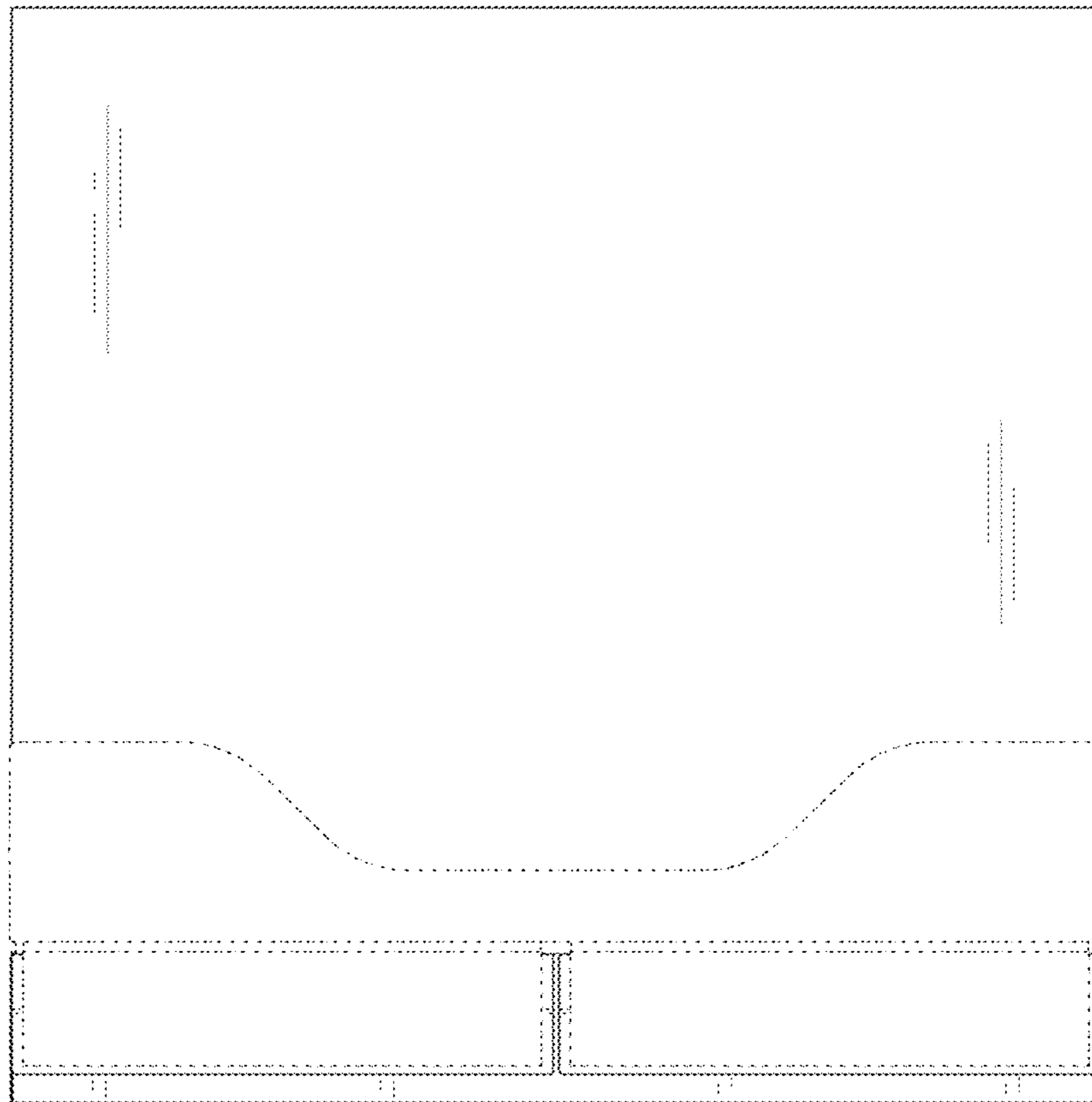


FIG. 16

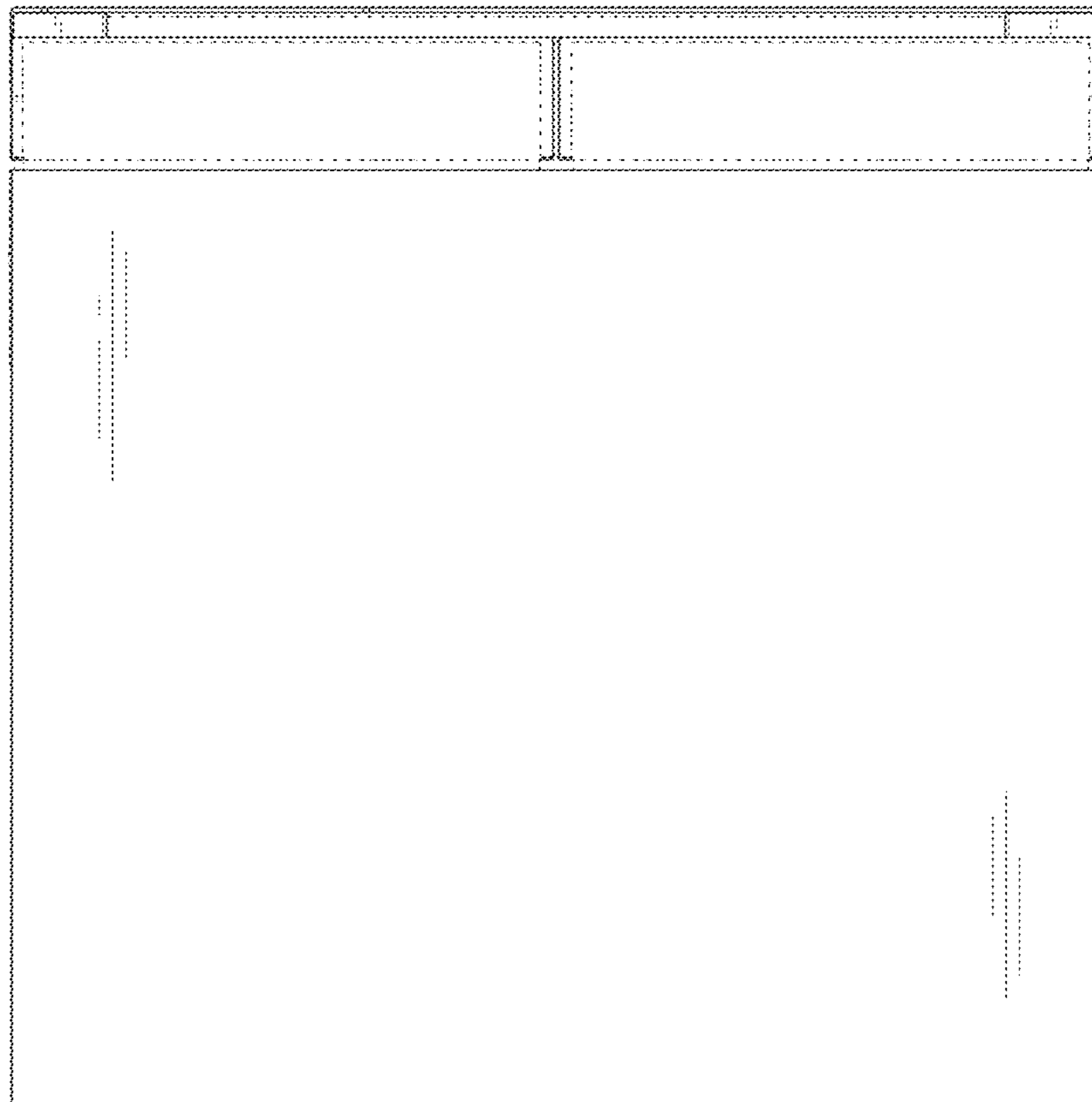


FIG. 17

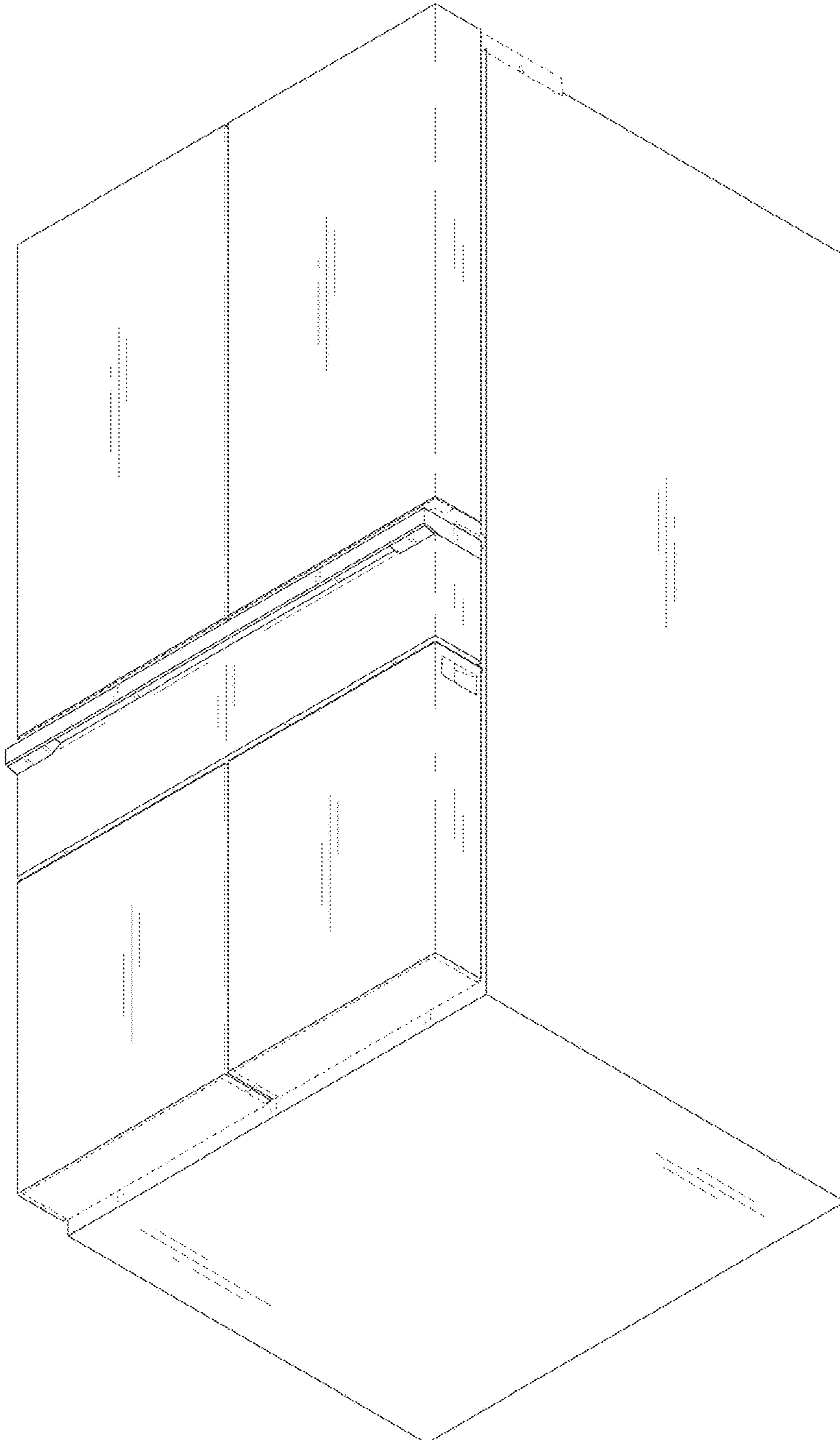


FIG. 18

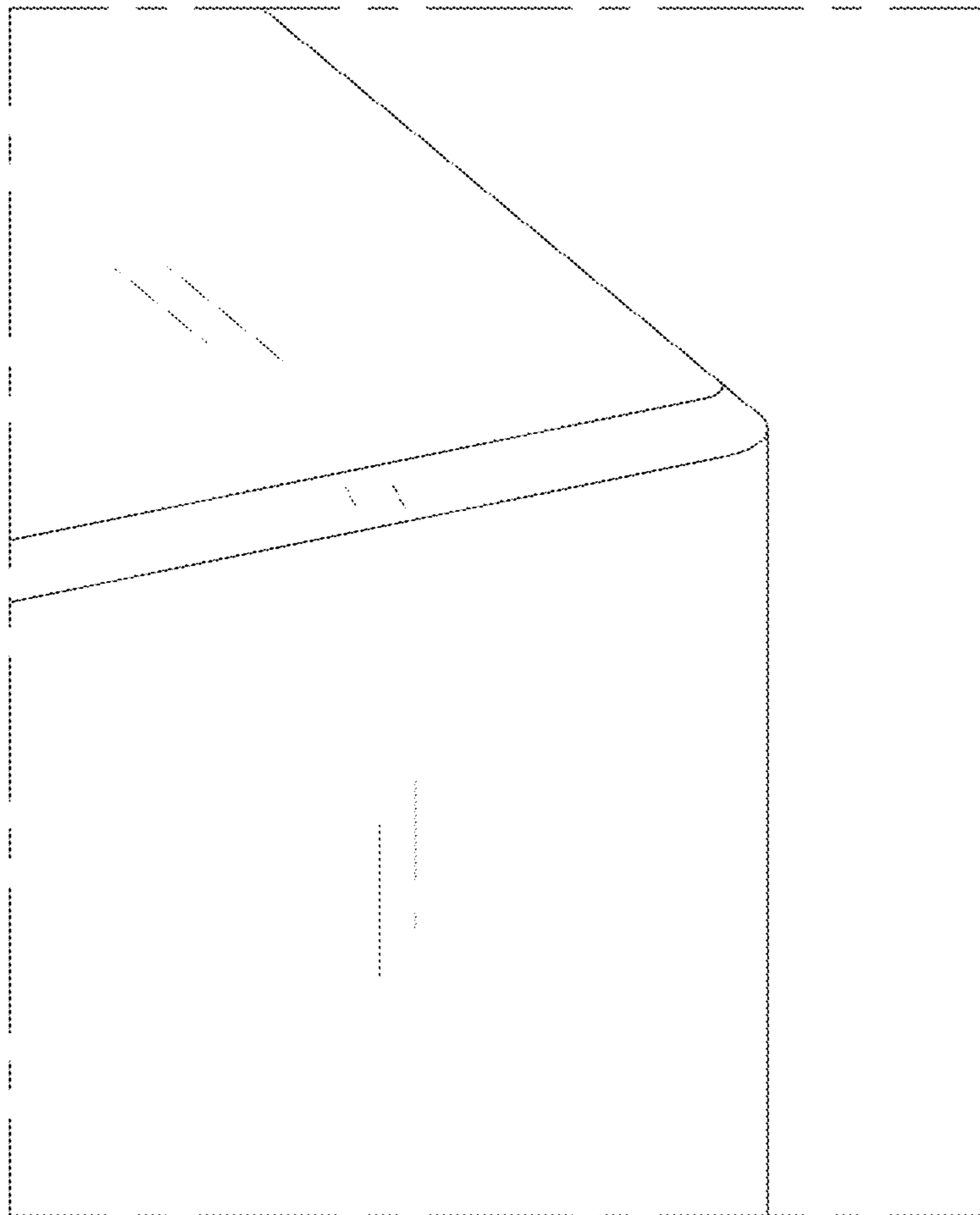


FIG. 19

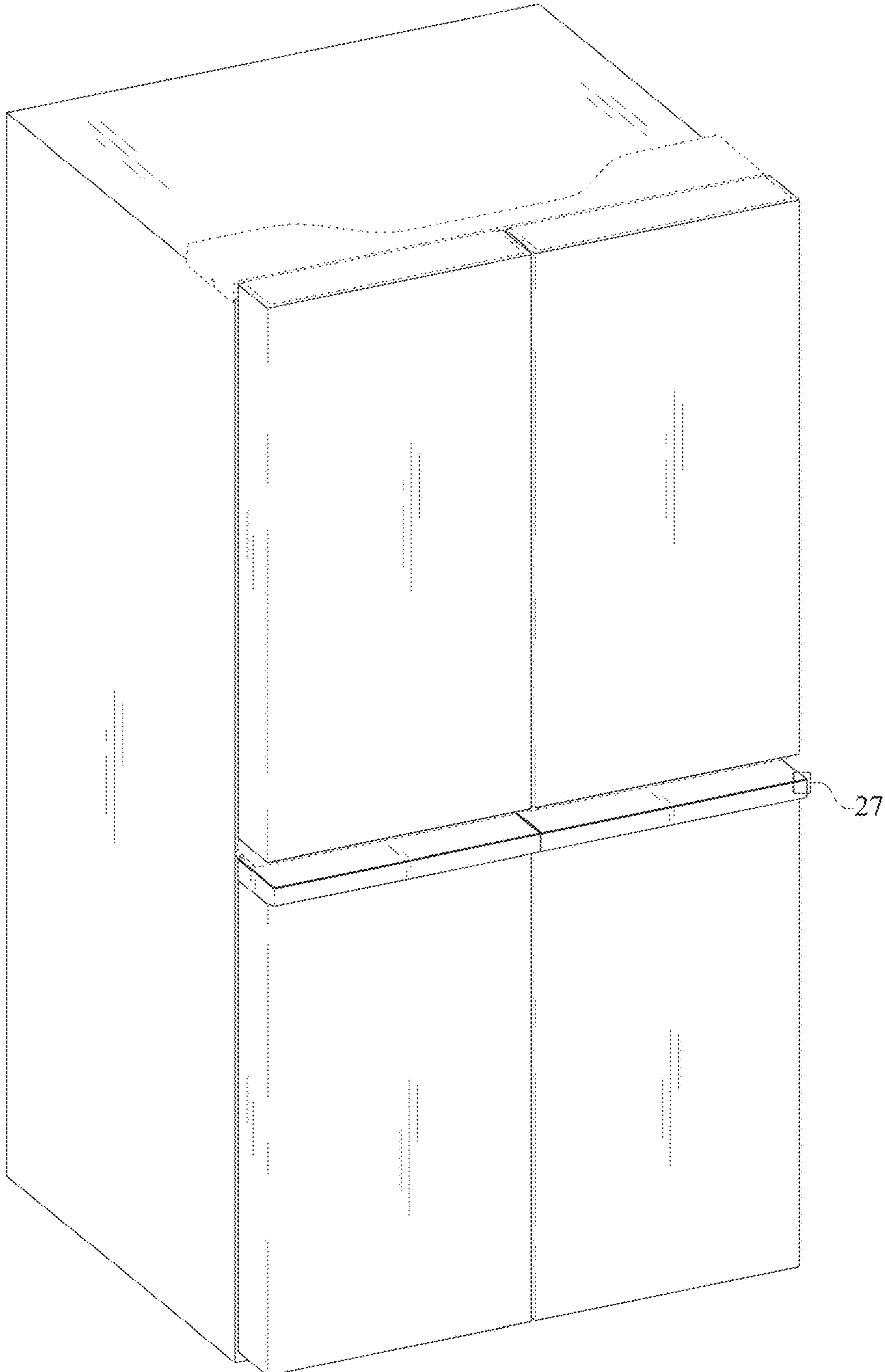


FIG. 20

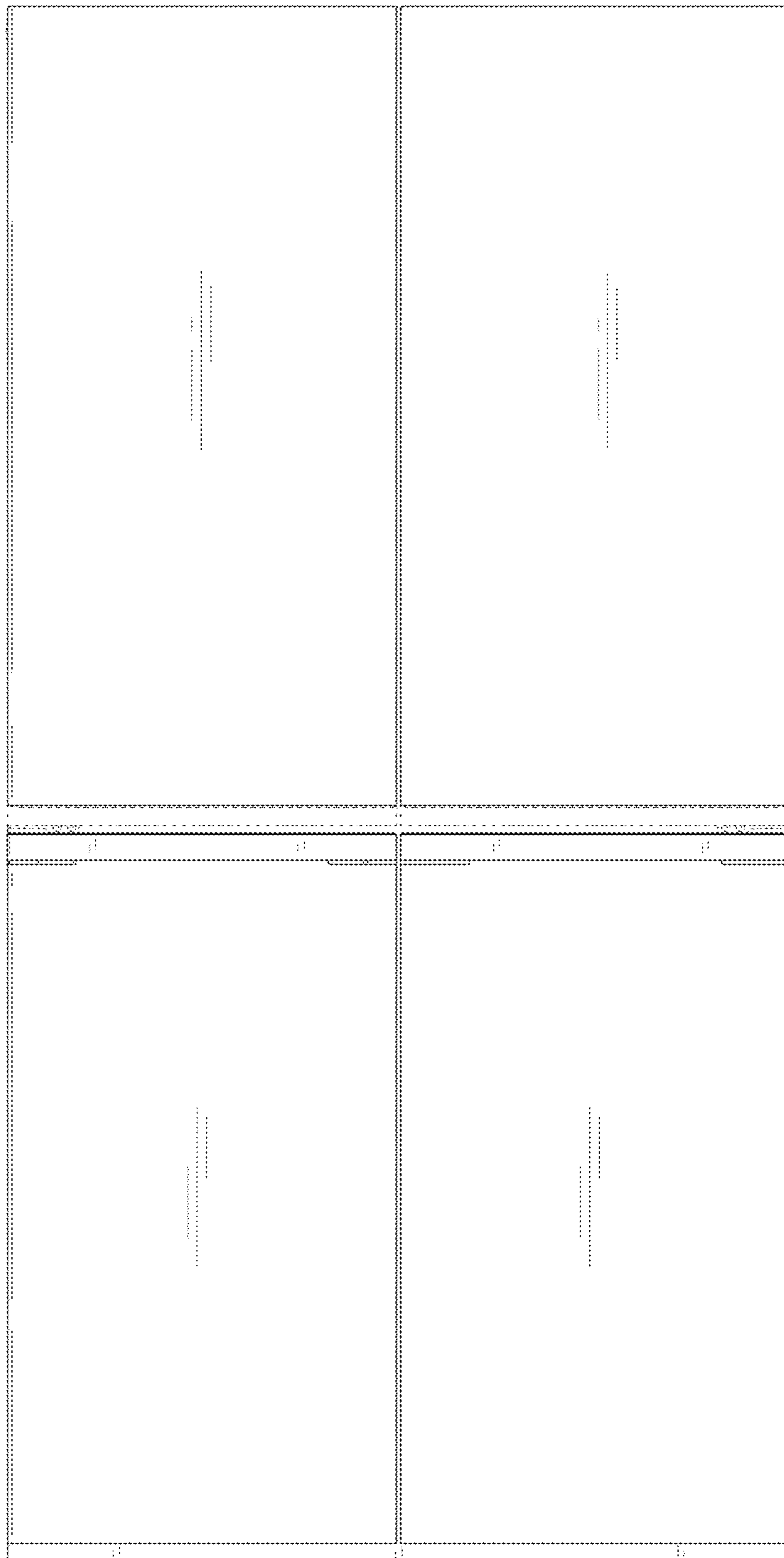


FIG. 21

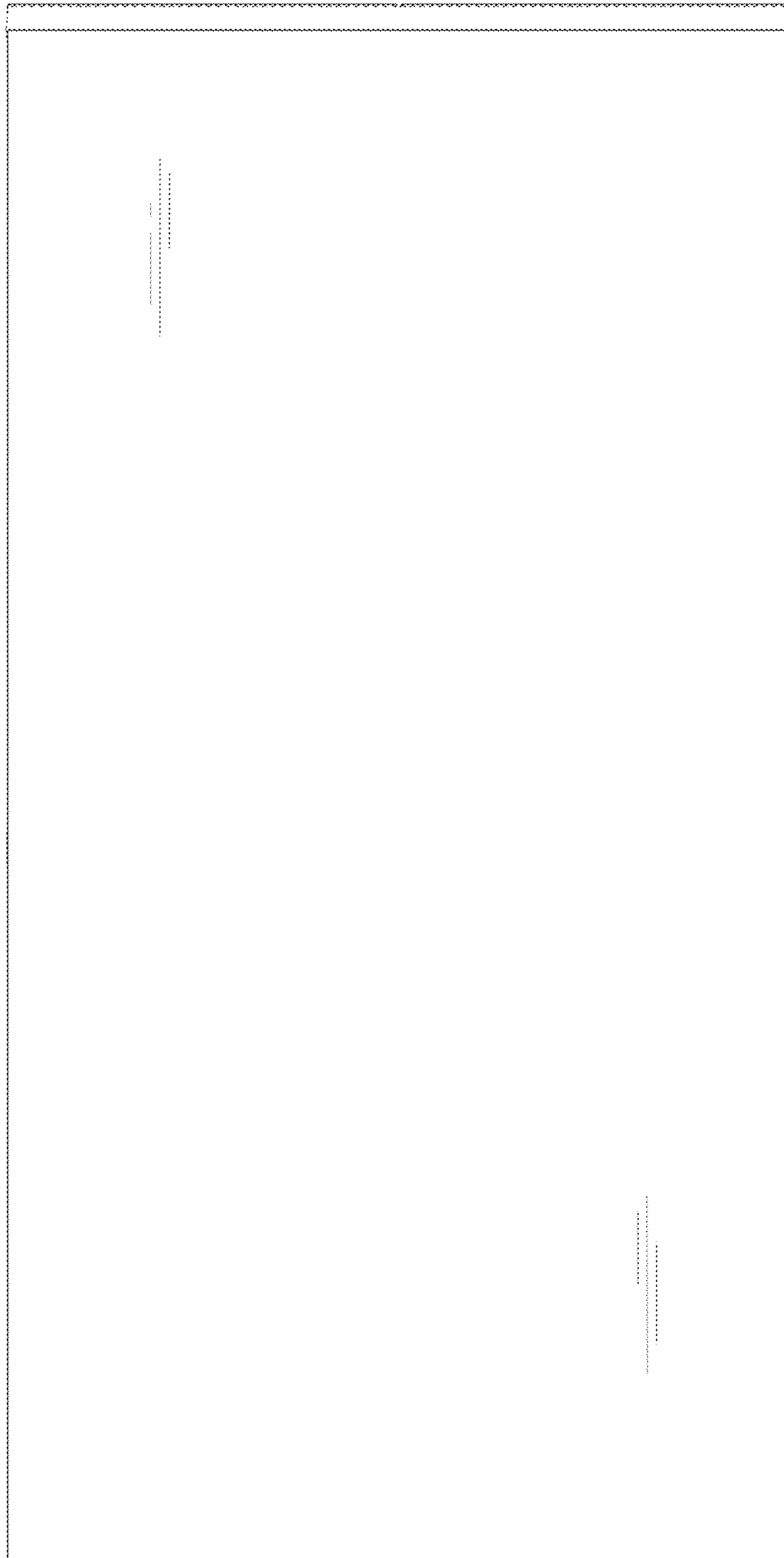


FIG. 22

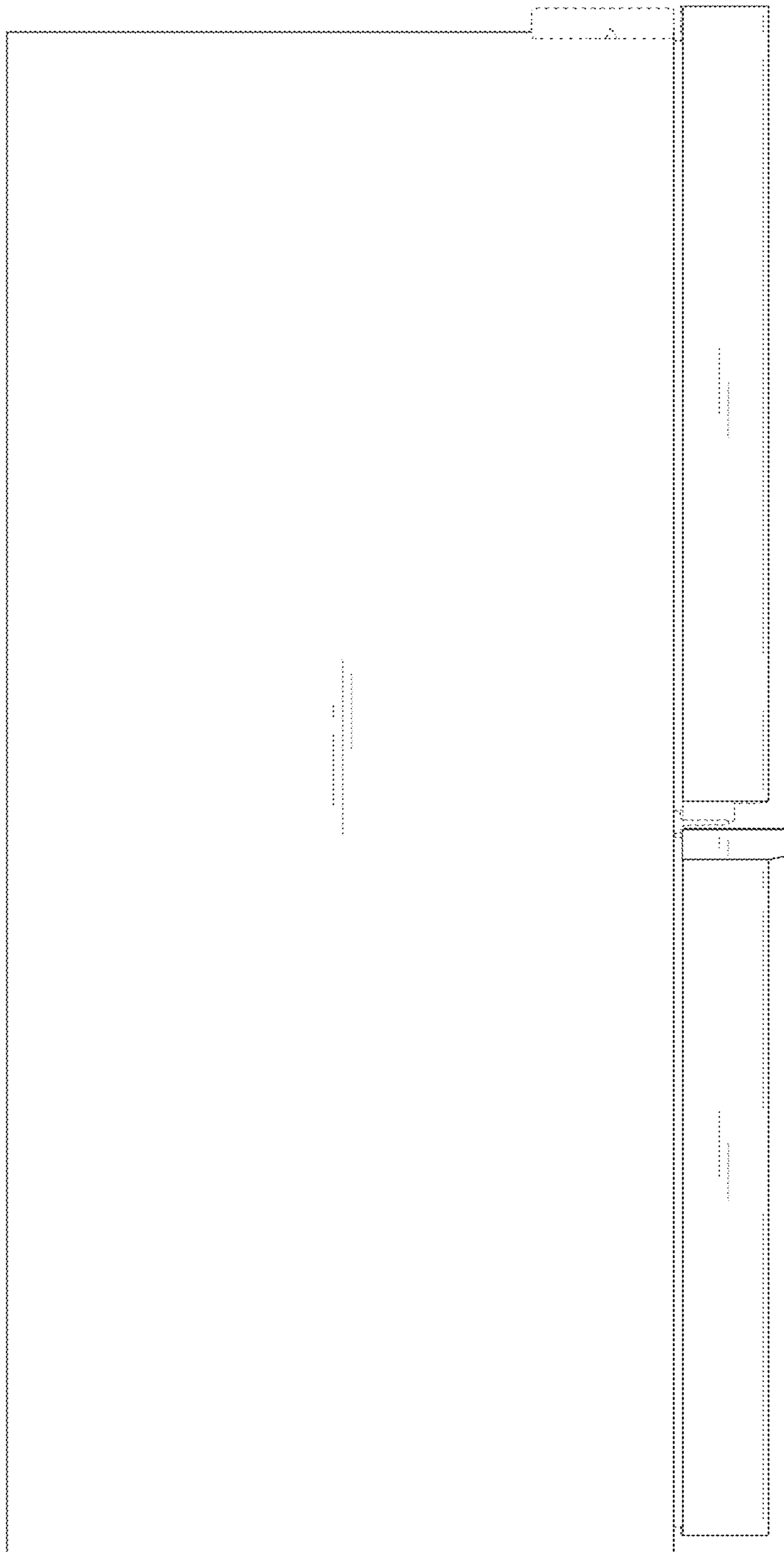


FIG. 23

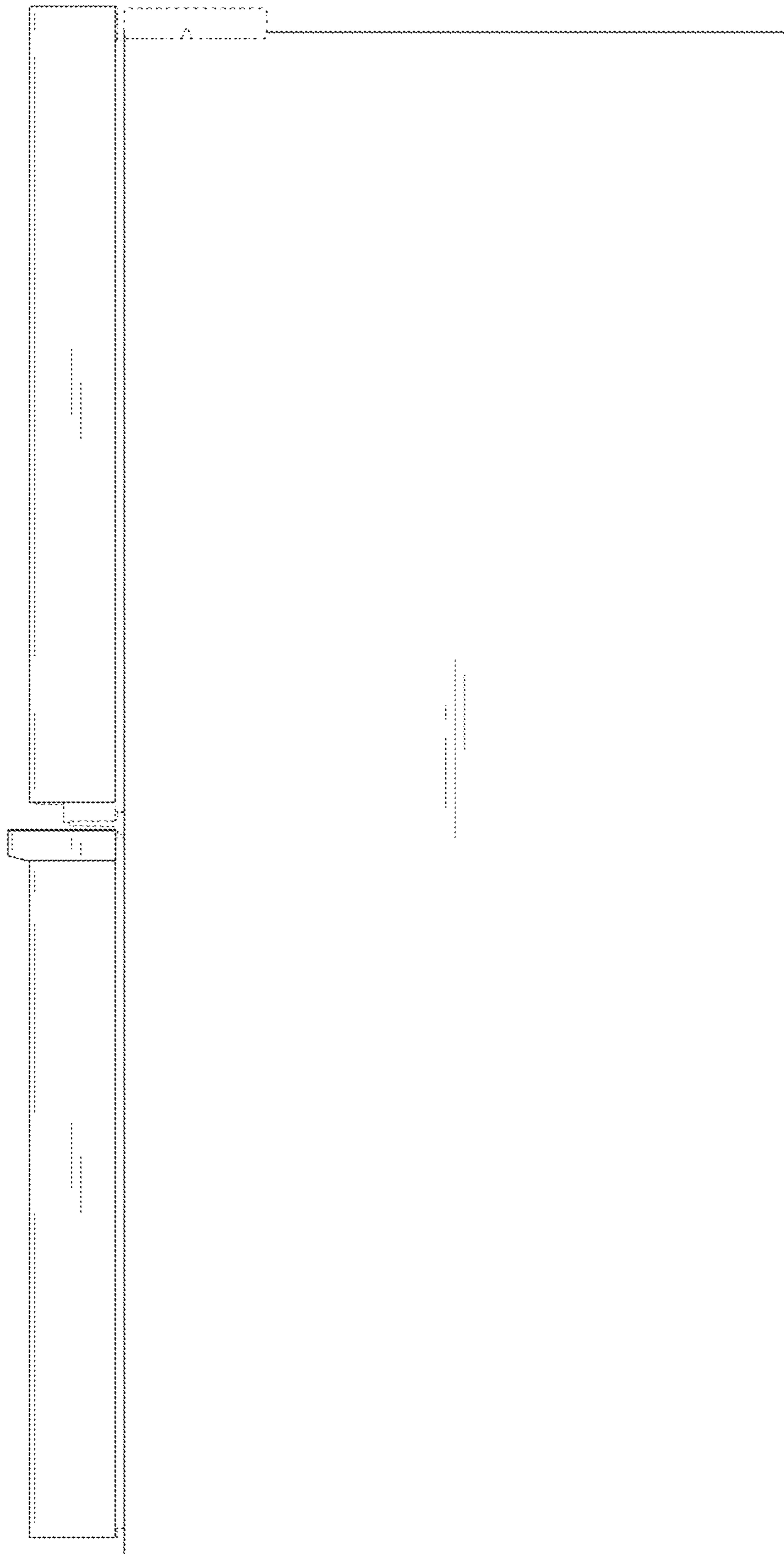


FIG. 24

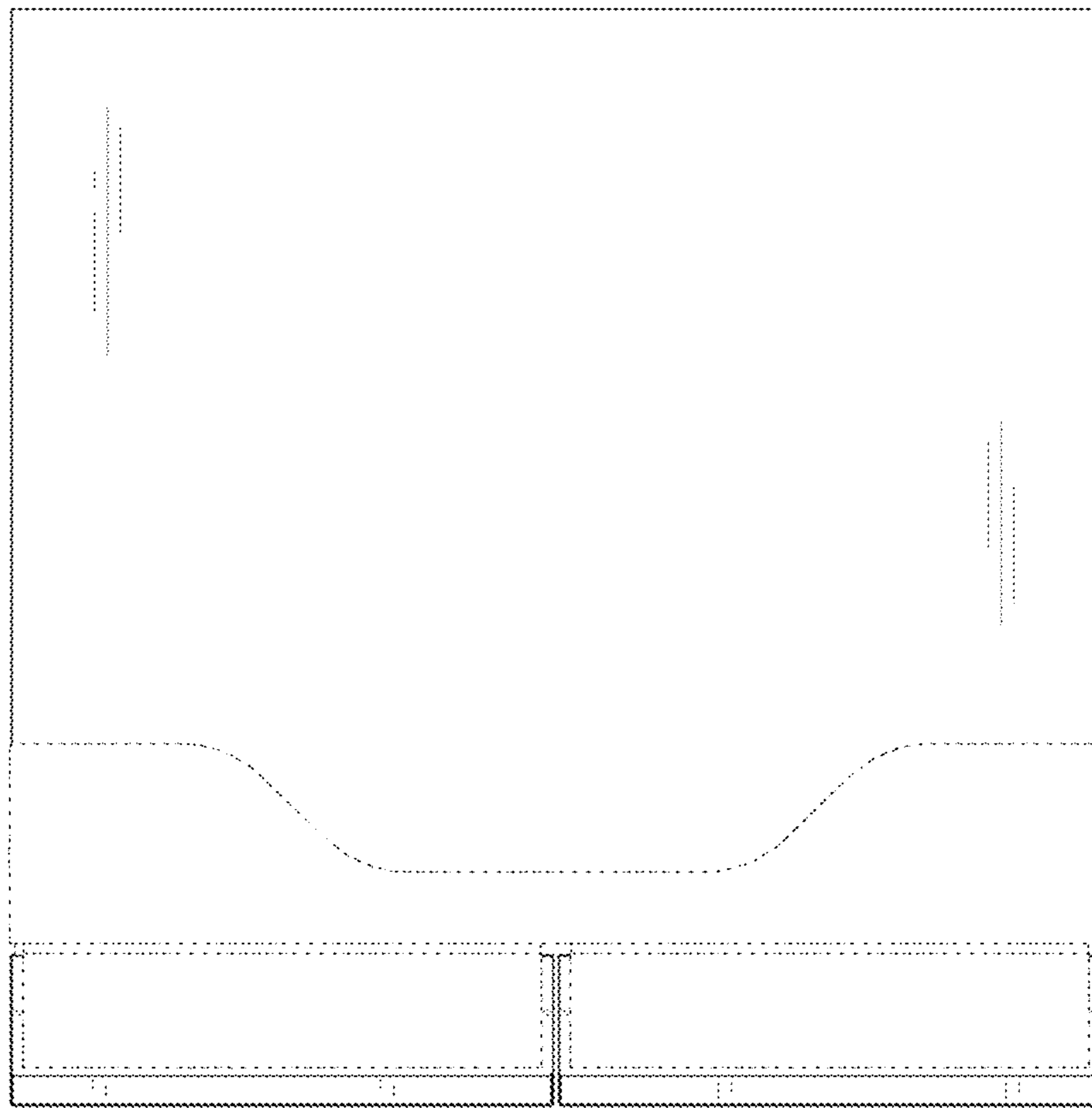


FIG. 25

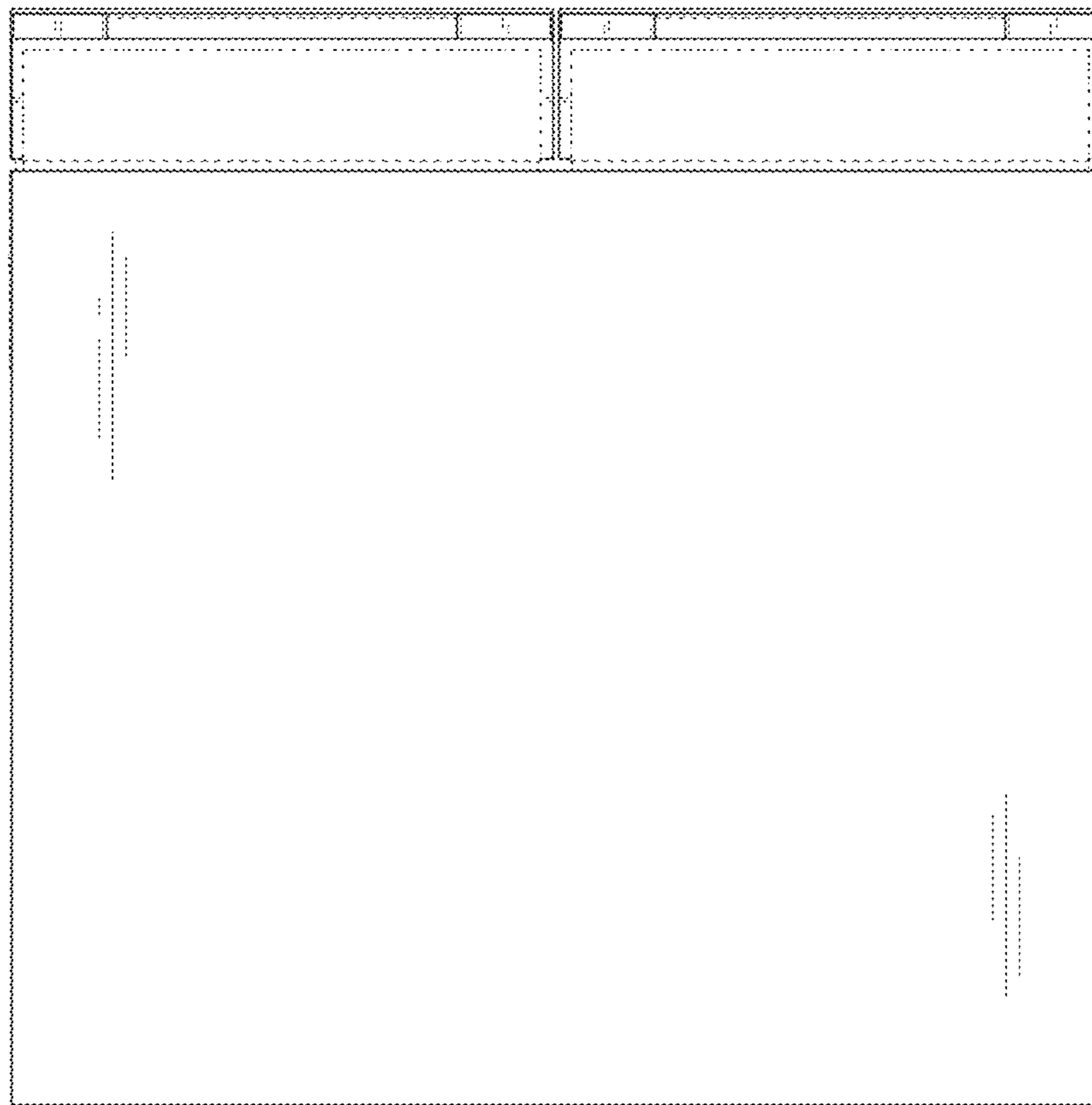


FIG. 26

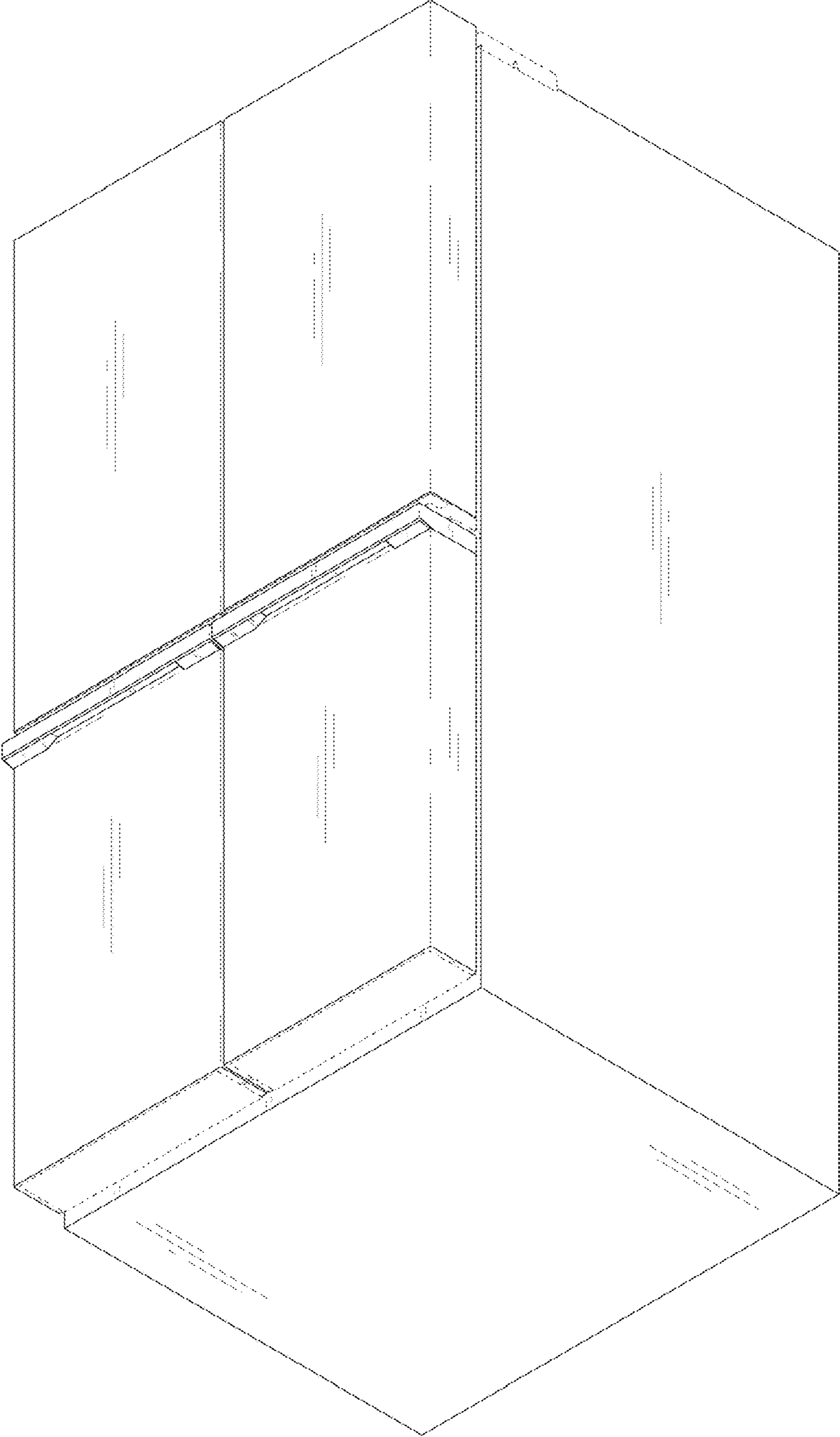


FIG. 27

