



US00D962303S

(12) **United States Design Patent**
Wright

(10) **Patent No.:** **US D962,303 S**
(45) **Date of Patent:** **** Aug. 30, 2022**

(54) **APPLIANCE**

(71) Applicant: **Conopco, Inc.**, Englewood Cliffs, NJ
(US)

(72) Inventor: **Matthew Paul Wright**, Newmarket
(GB)

(73) Assignee: **Conopco, Inc.**, Englewood Cliffs, NJ
(US)

(**) Term: **15 Years**

(21) Appl. No.: **29/703,045**

(22) Filed: **Aug. 23, 2019**

Related U.S. Application Data

(62) Division of application No. 29/569,851, filed on Jun.
30, 2016, now Pat. No. Des. 862,529.

(30) **Foreign Application Priority Data**

Jan. 7, 2016 (EM) 002937375-0001

Jan. 7, 2016 (EM) 002937375-0002

(Continued)

(51) **LOC (13) Cl.** **15-07**

(52) **U.S. Cl.**

USPC **D15/82**

(58) **Field of Classification Search**

USPC D15/79-91; D7/300, 303-311

(Continued)

(56) **References Cited**

U.S. PATENT DOCUMENTS

D307,754 S 8/1990 Osrow et al.

D365,496 S 12/1995 McLinden et al.

(Continued)

Primary Examiner — Khawaja Anwar

(74) *Attorney, Agent, or Firm* — Gerard J. McGowan, Jr.

(57) **CLAIM**

An ornamental design for an appliance, as shown and described.

DESCRIPTION

FIG. 1 is a perspective view of an appliance in accordance with our new design,

FIG. 2 is a front view of an appliance in accordance with our new design of FIG. 1,

FIG. 3 is a rear view of an appliance in accordance with our new design of FIG. 1,

FIG. 4 is a left side view of an appliance in accordance with our new design of FIG. 1,

FIG. 5 is a right side view of an appliance in accordance with our new design of FIG. 1,

FIG. 6 is a top plan view of an appliance in accordance with our new design of FIG. 1,

FIG. 7 is an underneath plan view of an appliance in accordance with our new design of FIG. 1.

FIG. 8 is a perspective view of an appliance in accordance with a further embodiment of our new design,

FIG. 9 is a front view of an appliance in accordance with our new design of FIG. 8,

FIG. 10 is a rear view of an appliance in accordance with our new design of FIG. 8,

FIG. 11 is a left side view of an appliance in accordance with our new design of FIG. 8,

FIG. 12 is a right side view of an appliance in accordance with our new design of FIG. 8,

FIG. 13 is a top plan view of an appliance in accordance with our new design of FIG. 8,

FIG. 14 is an underneath plan view of an appliance in accordance with our new design of FIG. 8.

FIG. 15 is a perspective view of an appliance in accordance with a still further embodiment of our new design,

FIG. 16 is a front view of an appliance in accordance with our new design of FIG. 15,

FIG. 17 is a rear view of an appliance in accordance with our new design of FIG. 15,

FIG. 18 is a left side view of an appliance in accordance with our new design of FIG. 15,

(Continued)

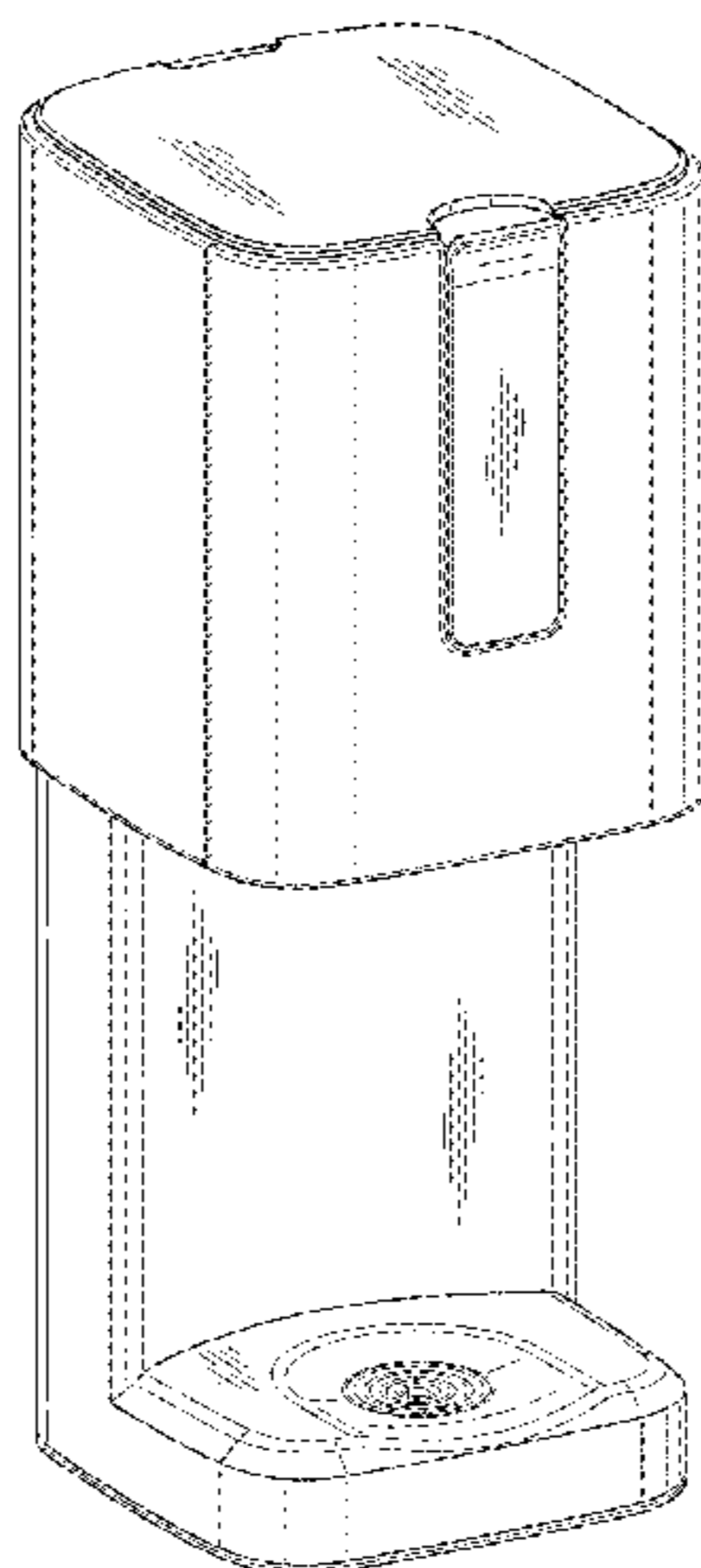


FIG. **19** is a right side view of an appliance in accordance with our new design of FIG. **15**,
 FIG. **20** is a top plan view of an appliance in accordance with our new design of FIG. **15**; and,
 FIG. **21** is an underneath plan view of an appliance in accordance with our new design of FIG. **15**.

2400/40; F25D 25/005; F25D 25/02;
 F25D 2600/02; F25D 2700/02; F25D
 2700/12; F25D 2700/121; F25D 2700/14;
 F25D 29/00

See application file for complete search history.

1 Claim, 13 Drawing Sheets

(30) **Foreign Application Priority Data**

Jan. 7, 2016 (EM) 002937375-0003
 Jan. 7, 2016 (EM) 002937375-0004

(58) **Field of Classification Search**

CPC .. F25D 11/00; F25D 17/065; F25D 2325/022;
 F25D 23/069; F25D 25/025; F25D 11/02;
 F25D 17/062; F25D 21/12; F25D 21/125;
 F25D 21/14; F25D 2317/061; F25D
 2317/067; F25D 2323/021; F25D
 2323/024; F25D 23/028; F25D 23/04;
 F25D 23/066; F25D 23/085; F25D
 23/087; F25D 23/126; F25D 2400/02;
 F25D 2400/06; F25D 2400/361; F25D

(56)

References Cited

U.S. PATENT DOCUMENTS

D378,215	S	2/1997	Gander	
D535,668	S	1/2007	Moore	
D671,568	S	11/2012	Pelayo et al.	
D760,305	S	6/2016	Salin	
10,307,688	B2 *	6/2019	Adjabeng	B01D 1/0041
D862,529	S *	10/2019	Wright	D15/82
D877,551	S *	3/2020	Nalen	D7/311
D878,132	S *	3/2020	Kestenbaum	D7/311
D879,532	S *	3/2020	Kaplan	D7/397
D879,533	S *	3/2020	Liuzza	D7/397
D894,659	S *	9/2020	Kestenbaum	D7/311
D899,840	S *	10/2020	Hellweg	D7/397
D908,745	S *	1/2021	Salin	F25B 21/02 D15/82
D922,816	S *	6/2021	Marshall	D7/378
11,047,602	B2 *	6/2021	Adjabeng	B01D 5/0006
D948,261	S *	4/2022	Jakobsen	D7/306
D948,262	S *	4/2022	Jakobsen	D7/306

* cited by examiner

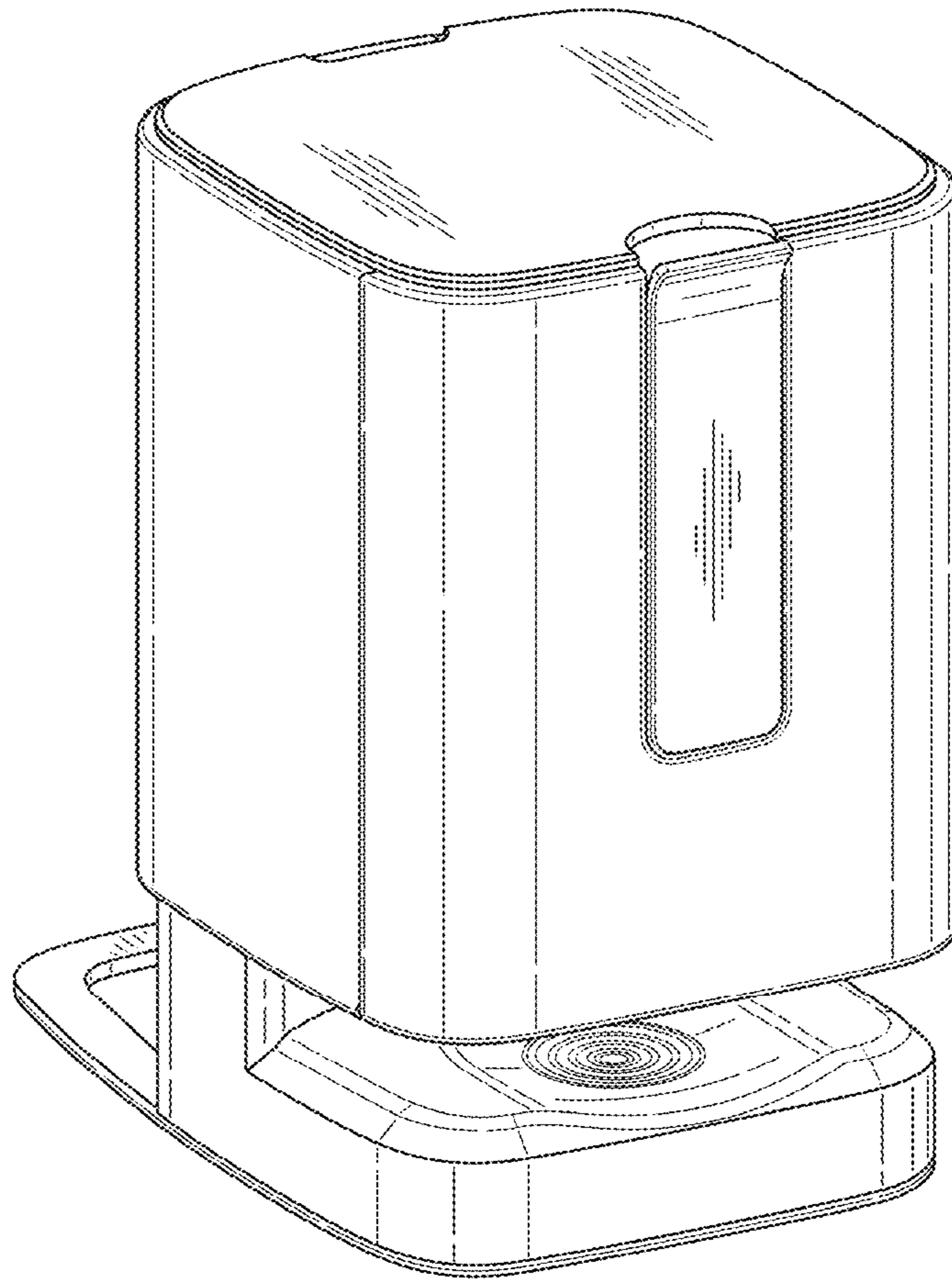


Fig. 1

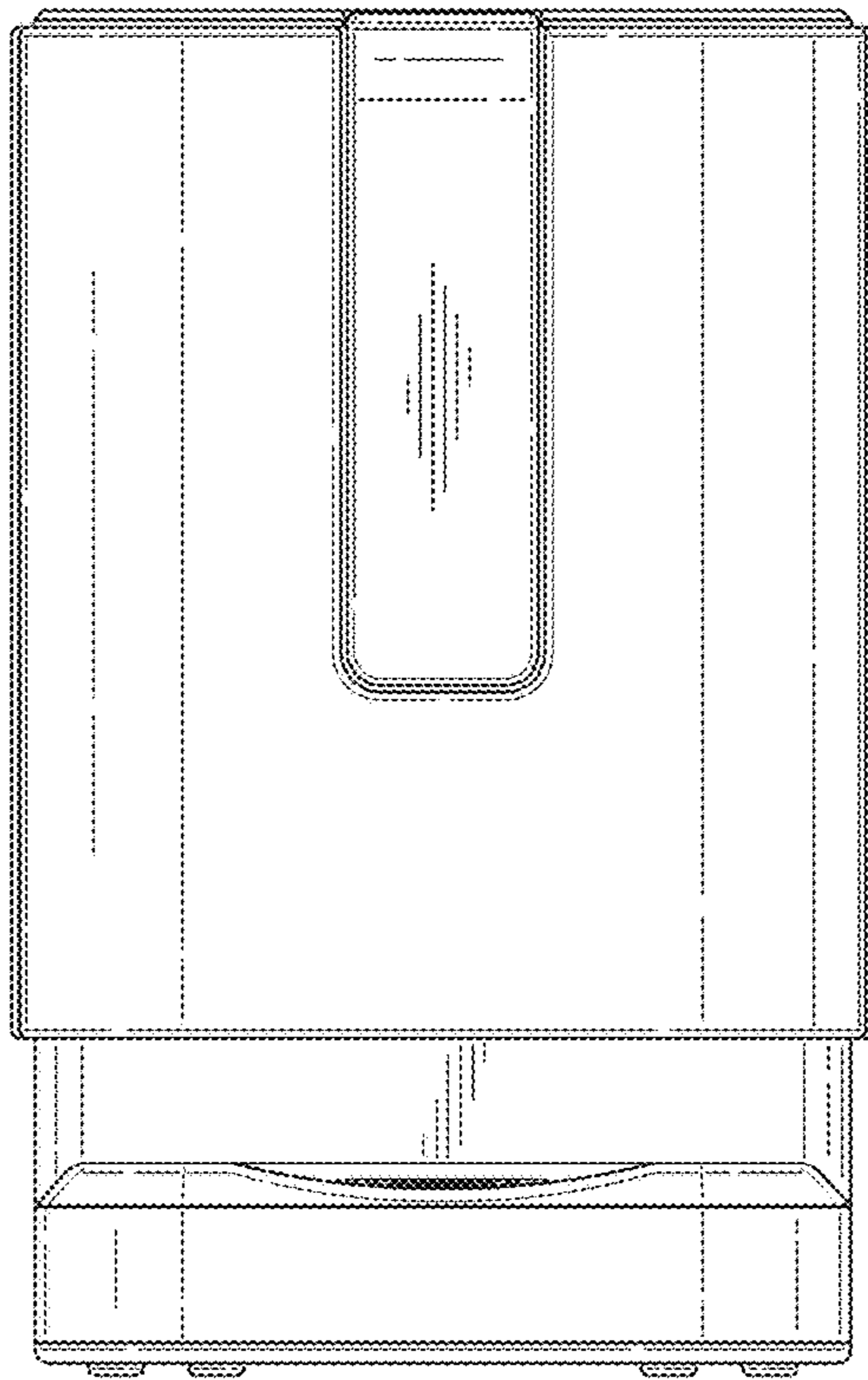


Fig. 2

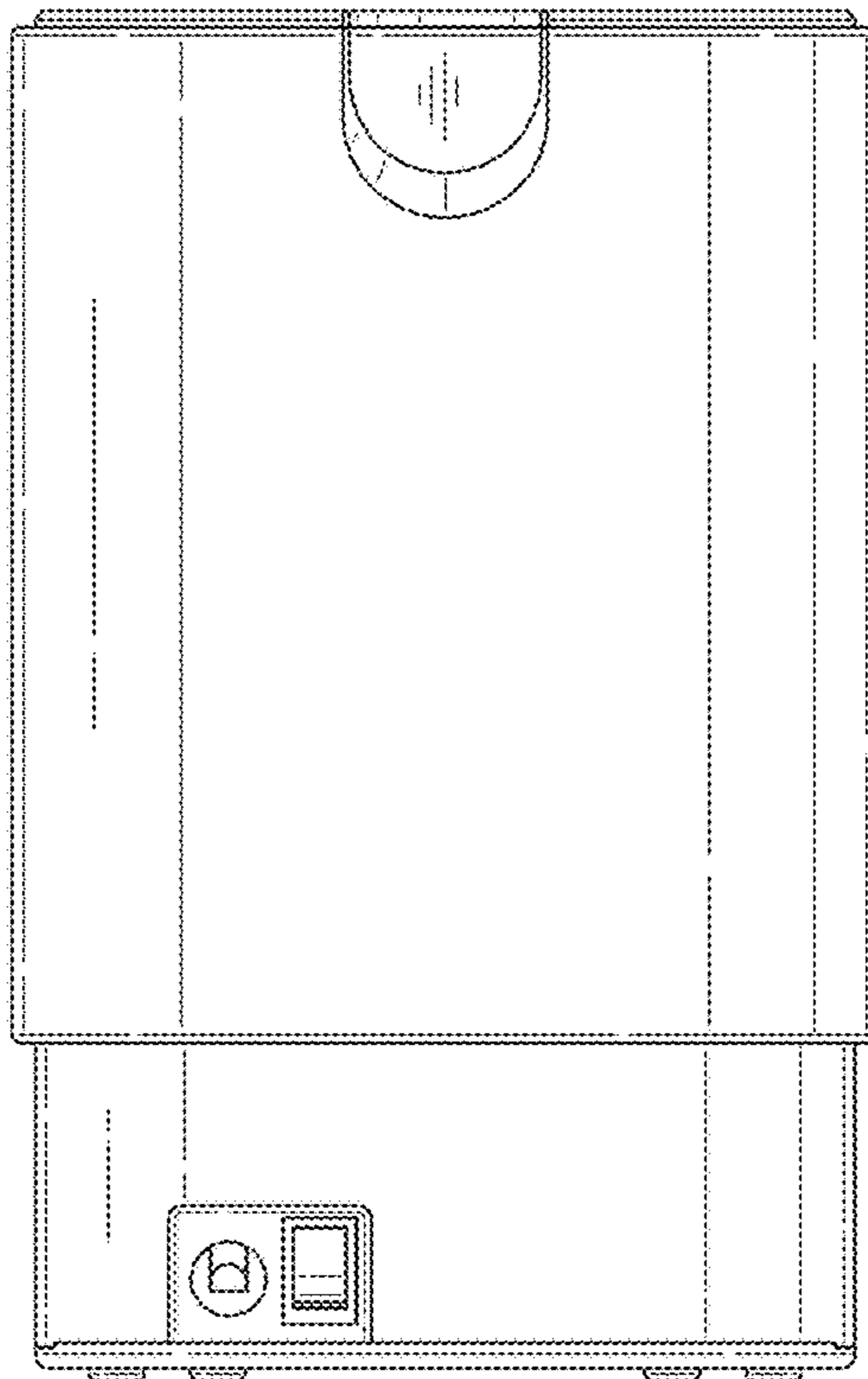


Fig. 3

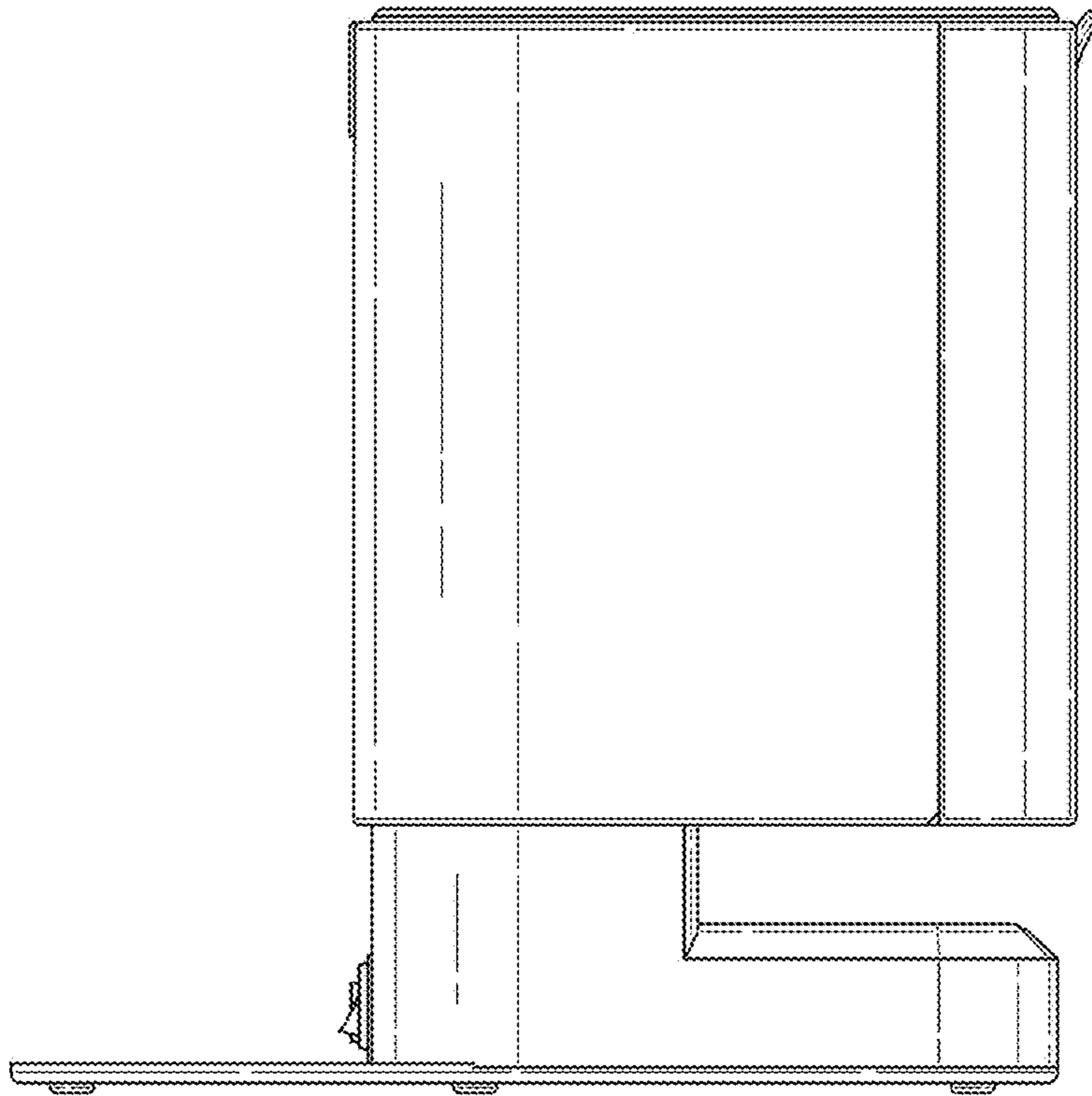


Fig. 4

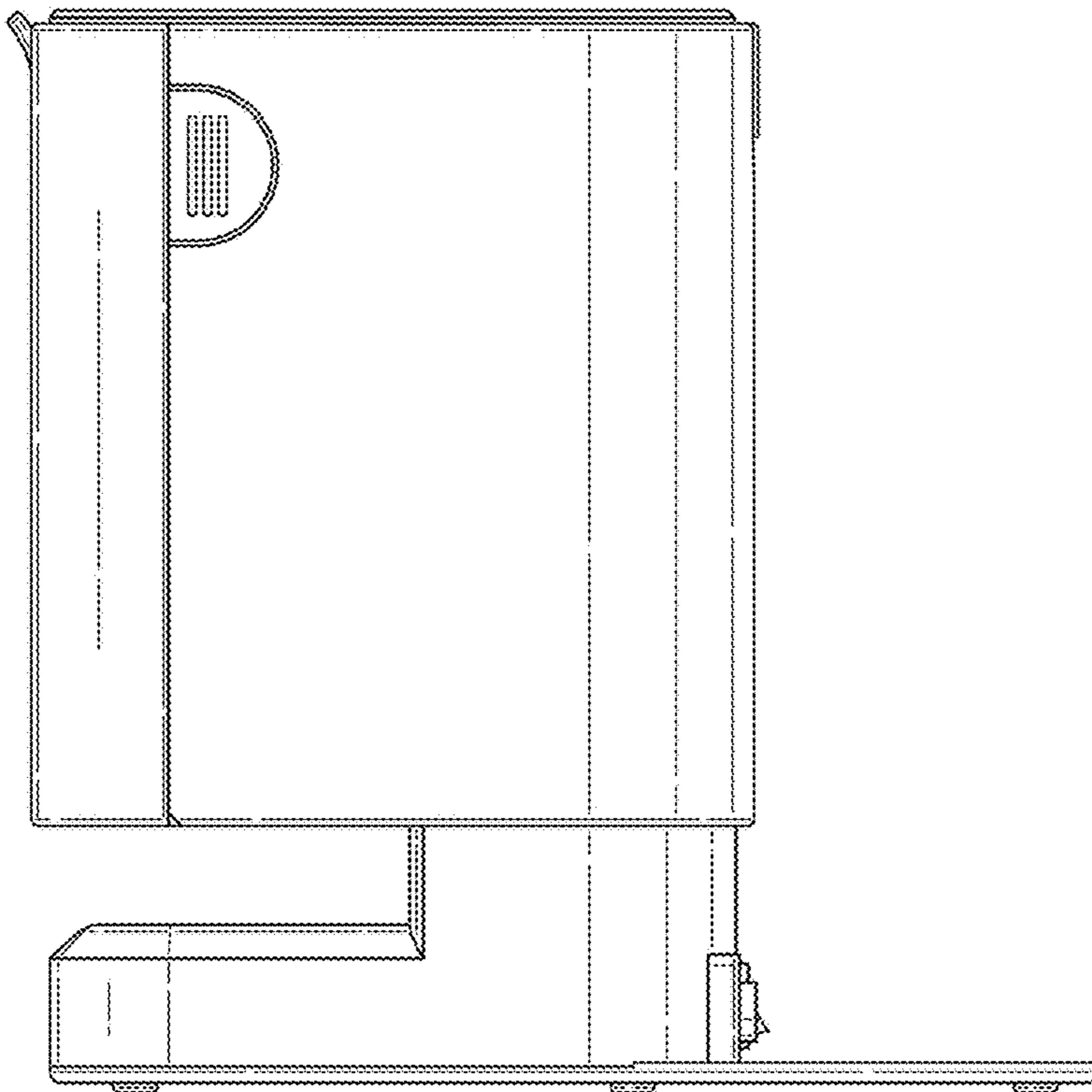


Fig. 5

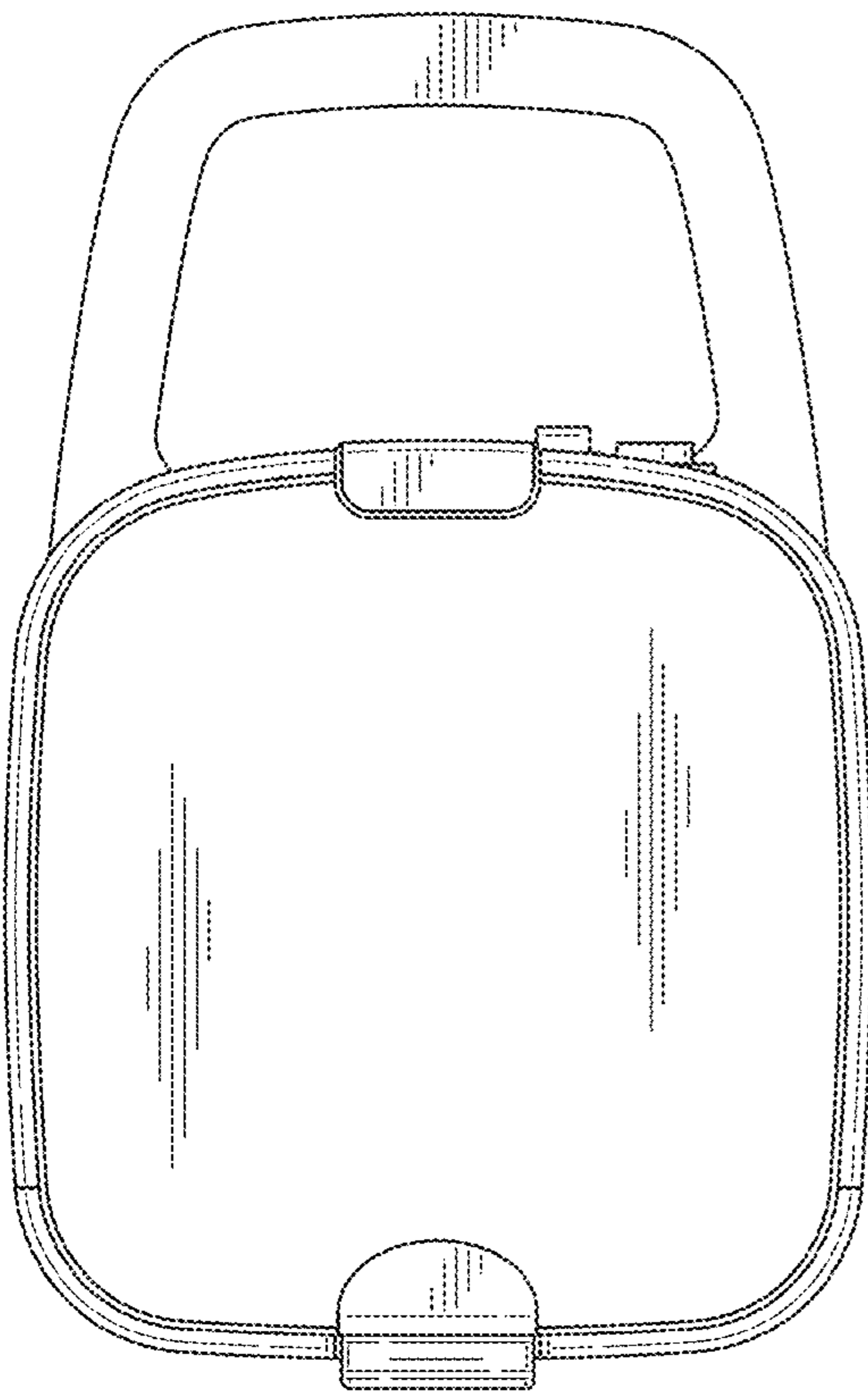


Fig. 6

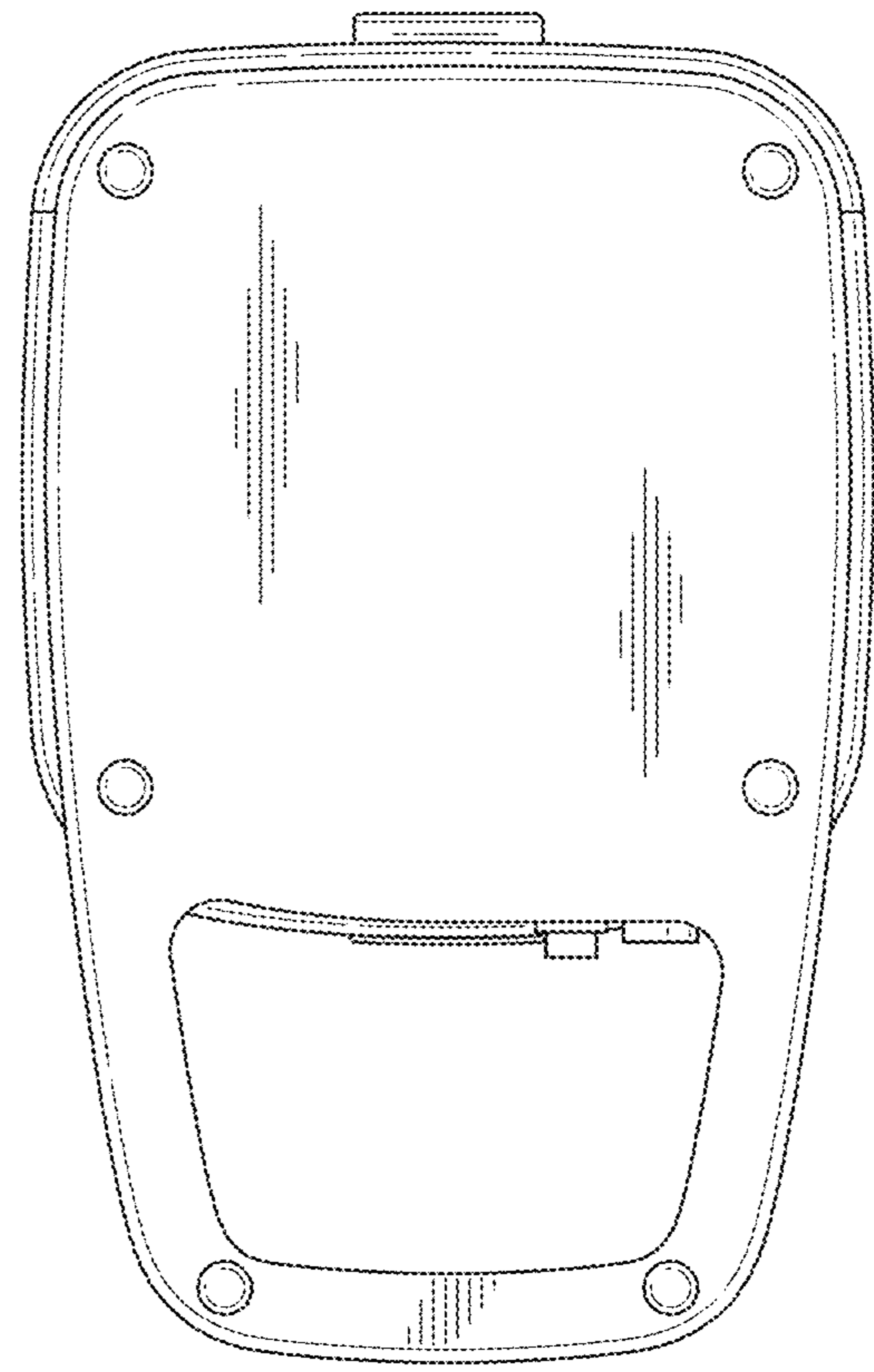


Fig. 7

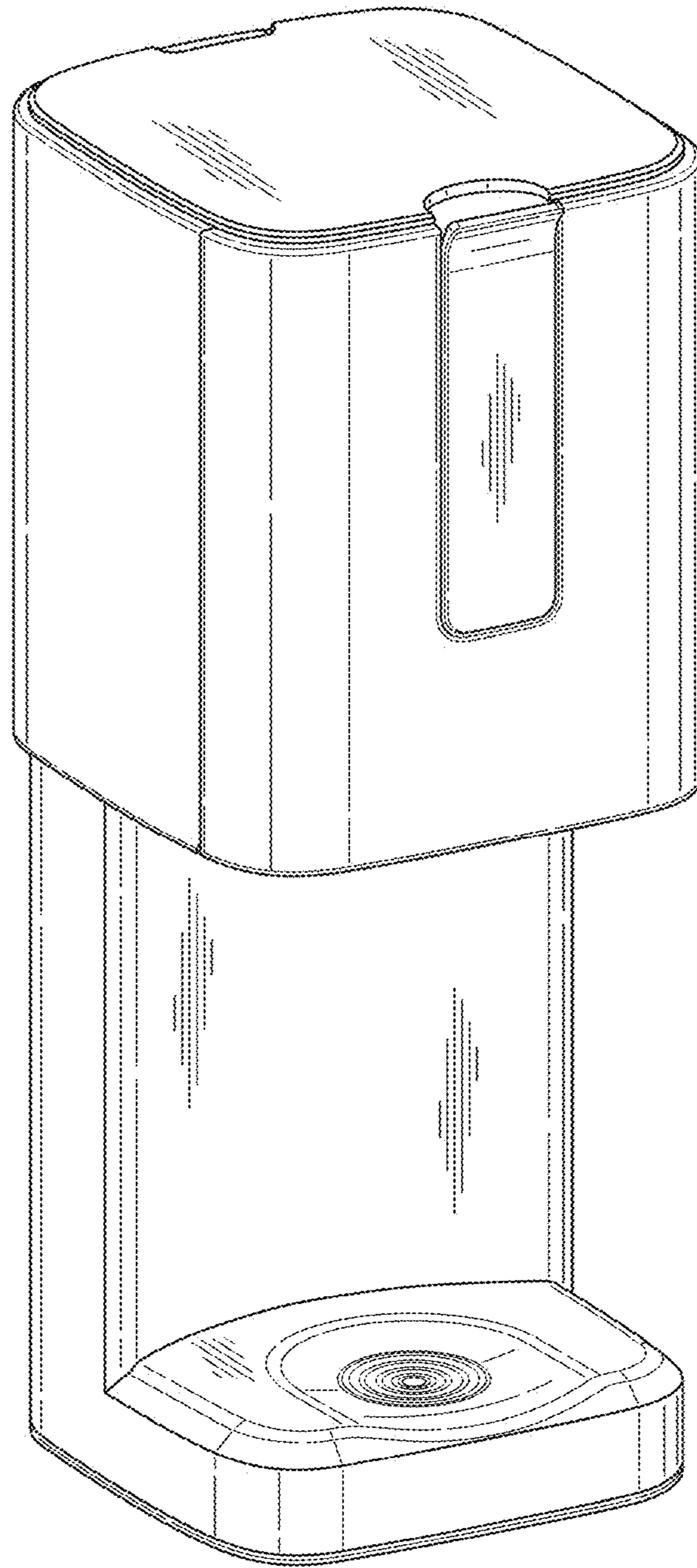


Fig. 8

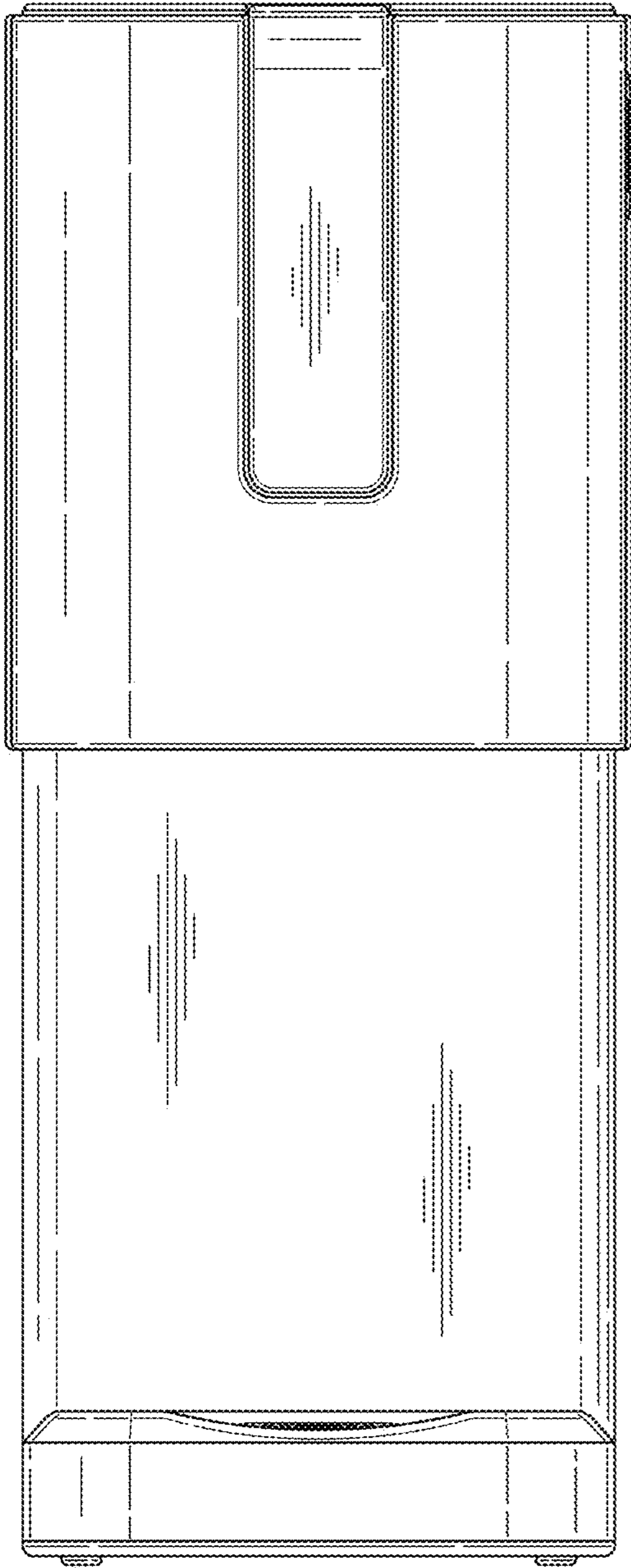


Fig. 9

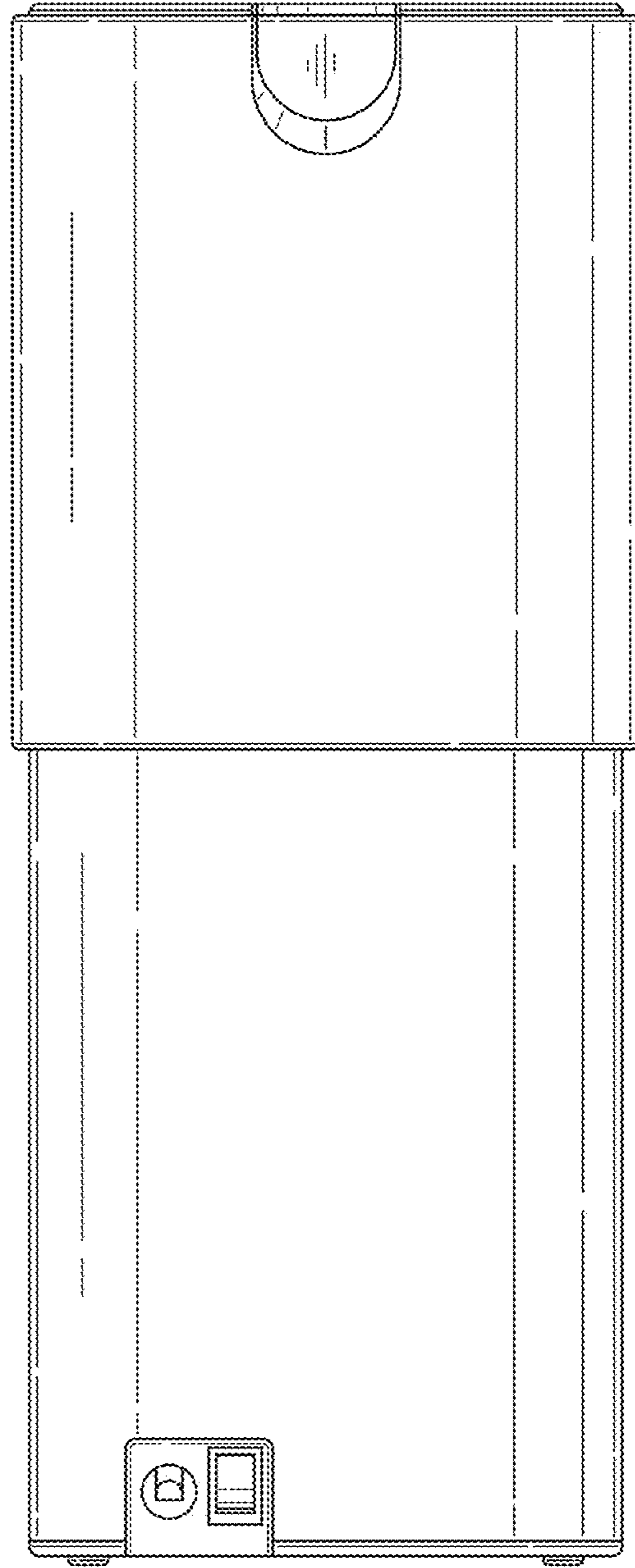


Fig. 10

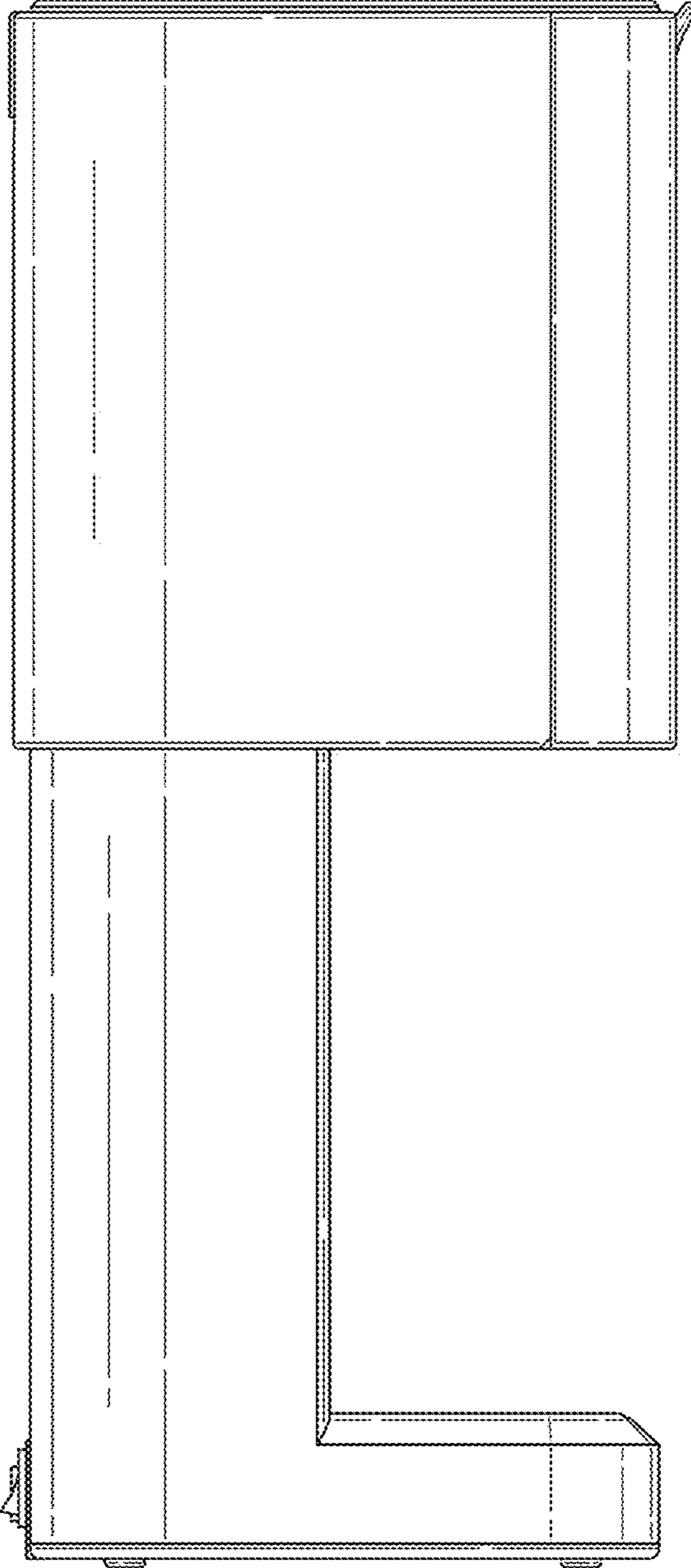


Fig. 11

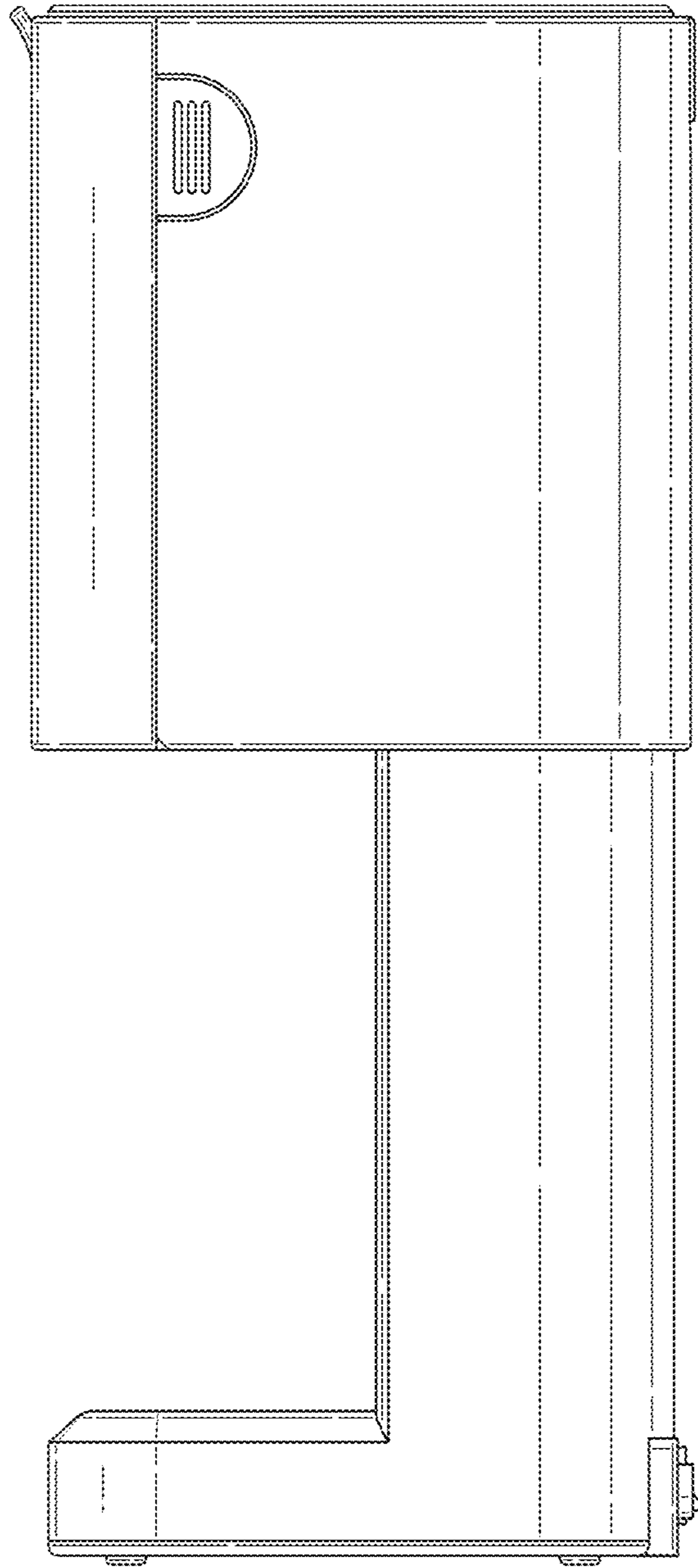


Fig. 12

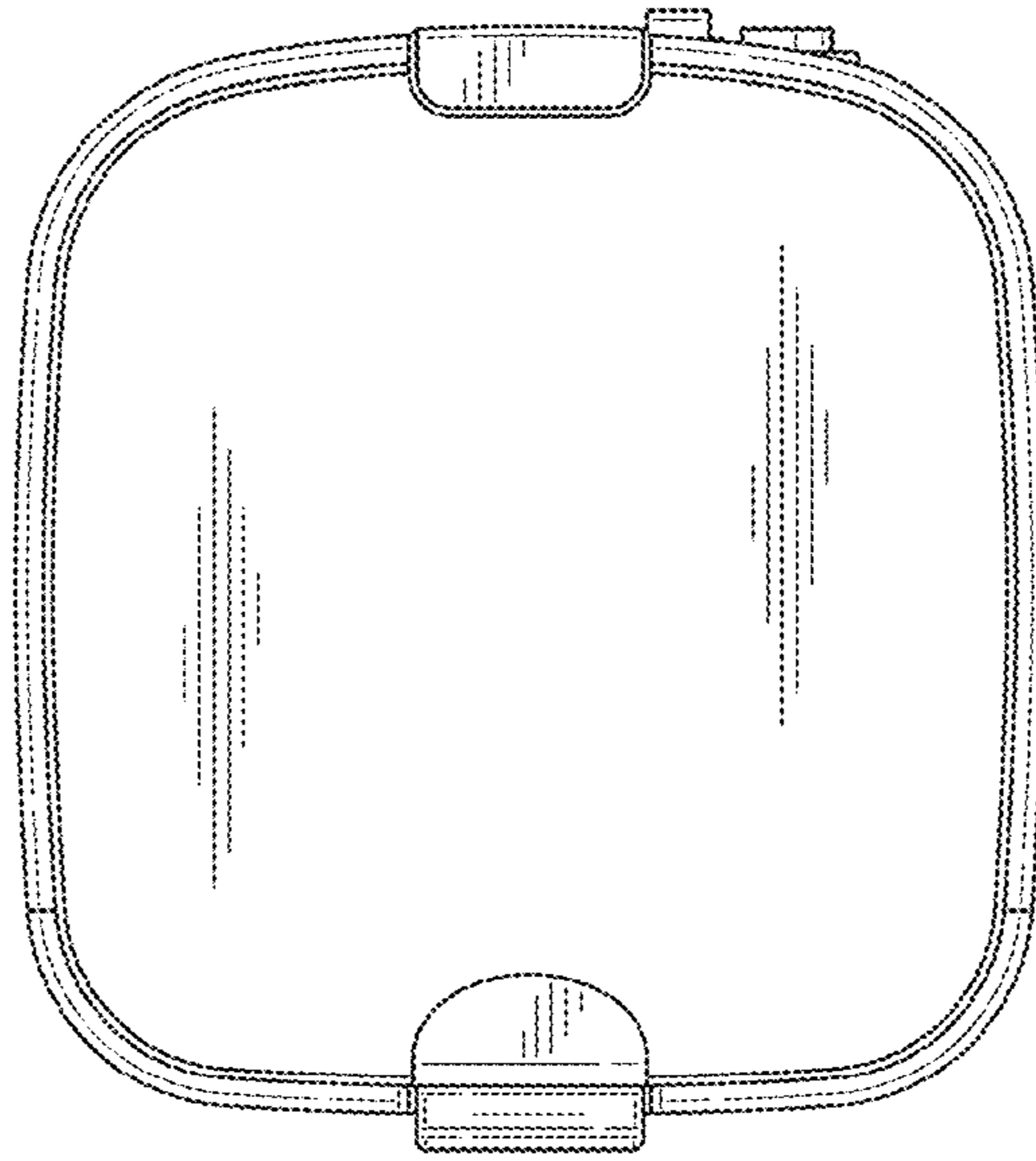


Fig. 13

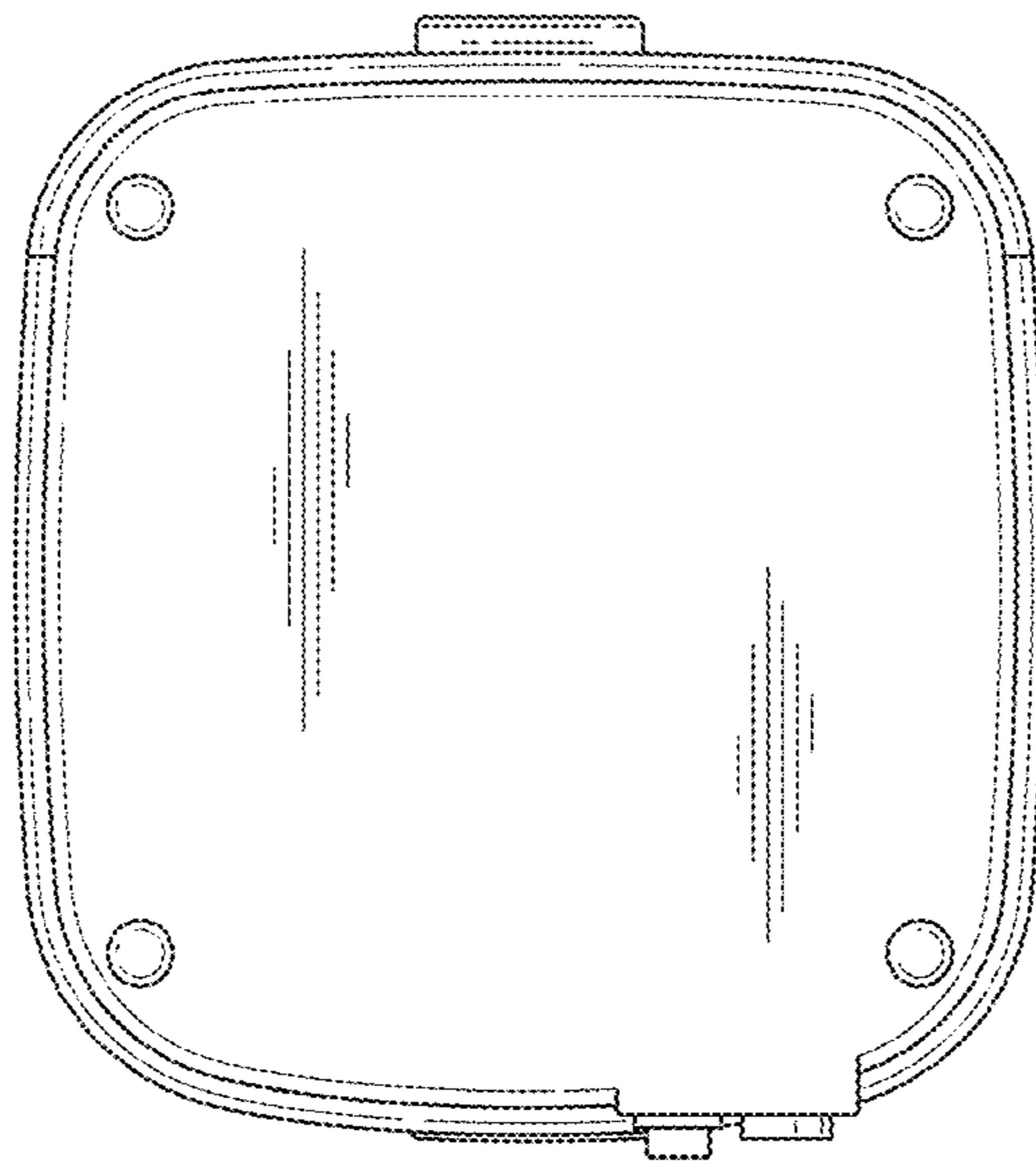


Fig. 14

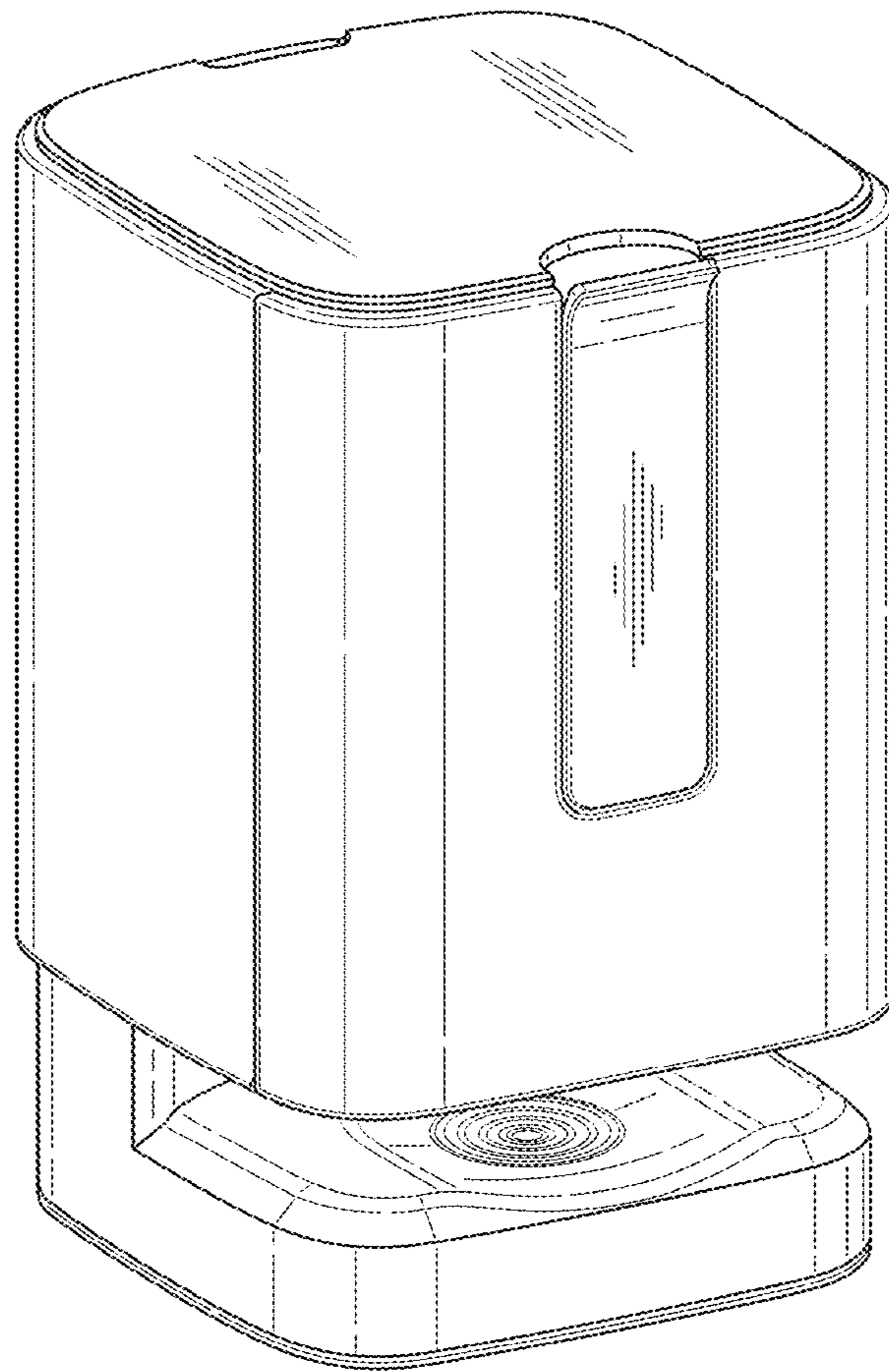


Fig. 15

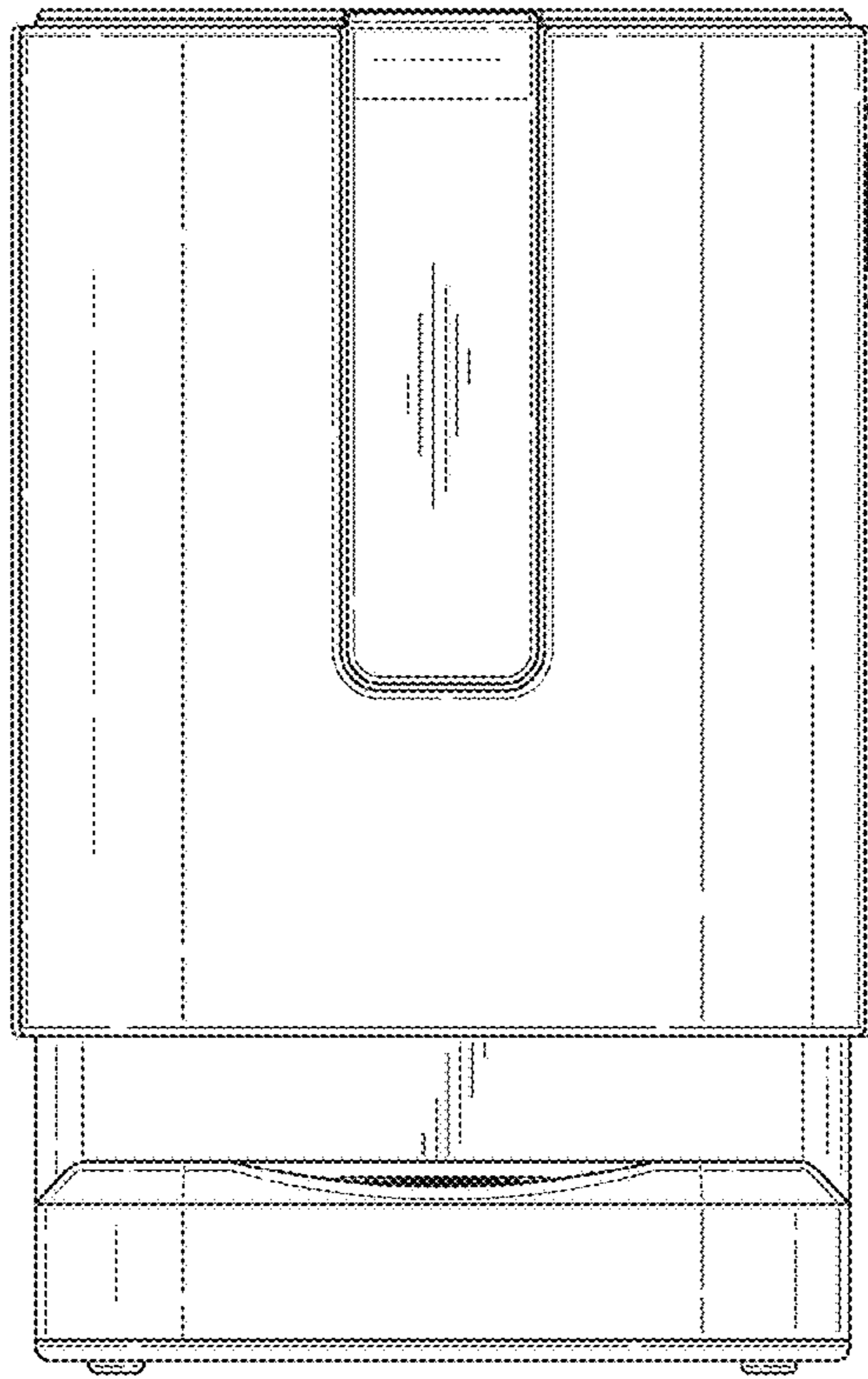


Fig. 16

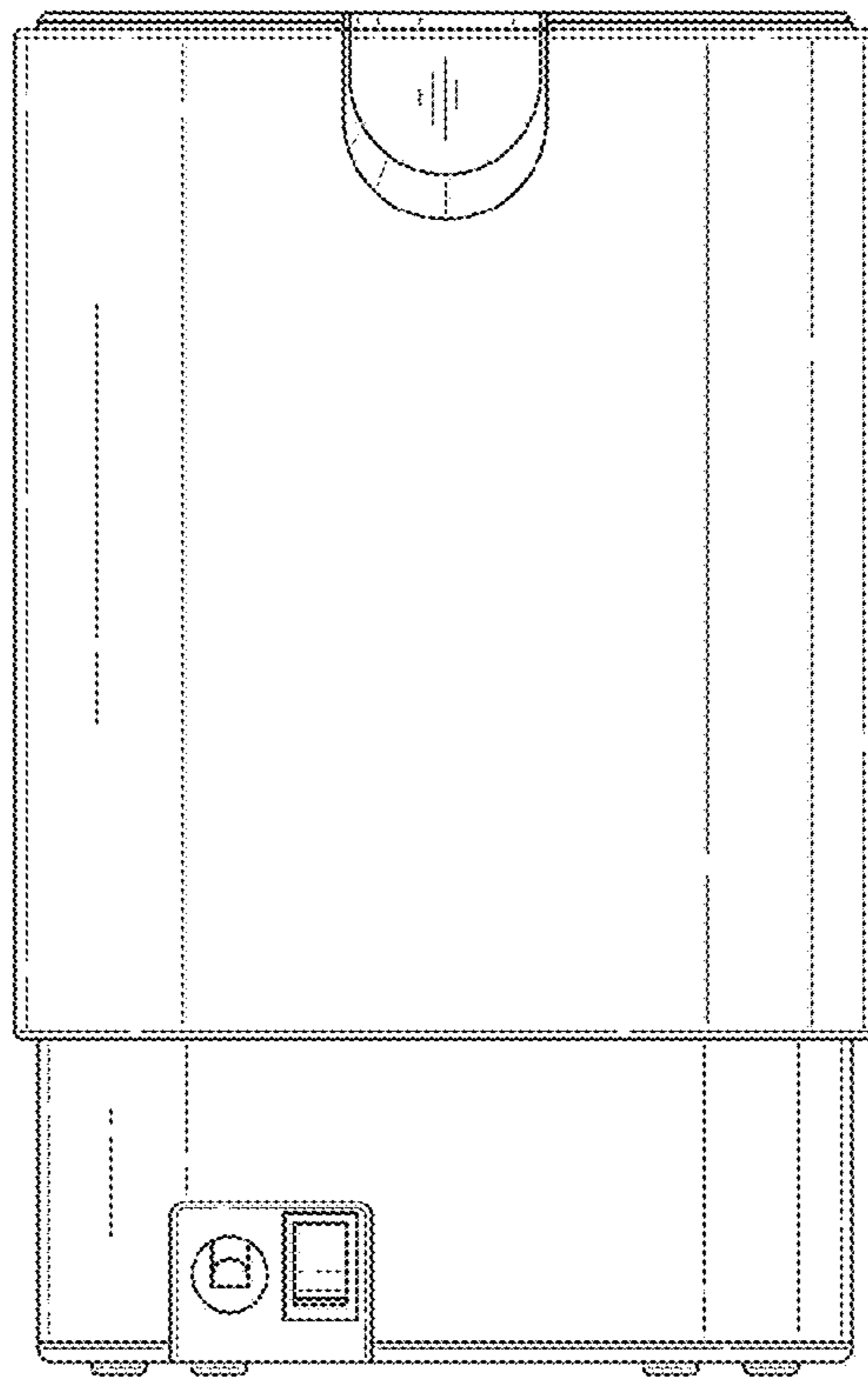


Fig. 17

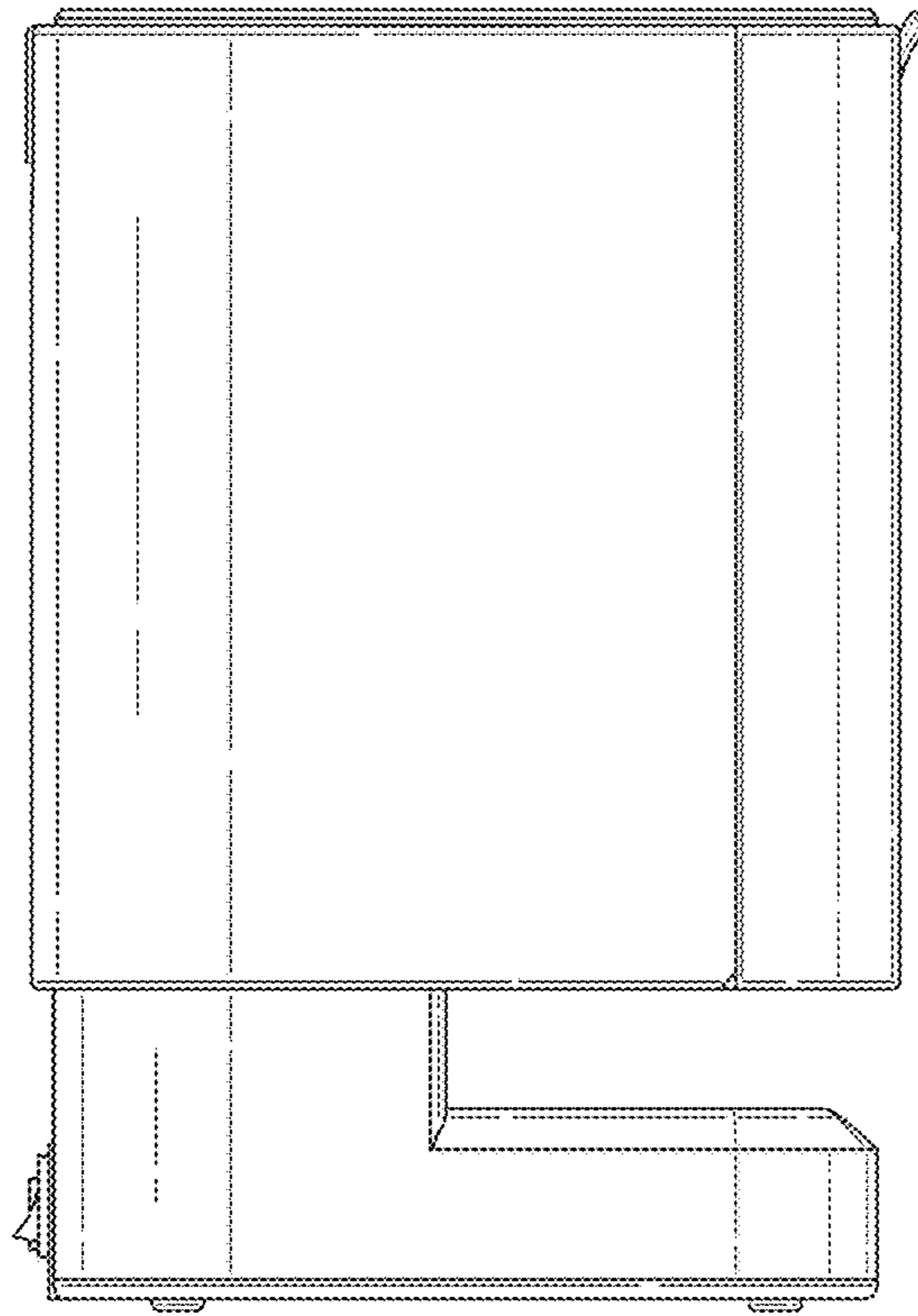


Fig. 18

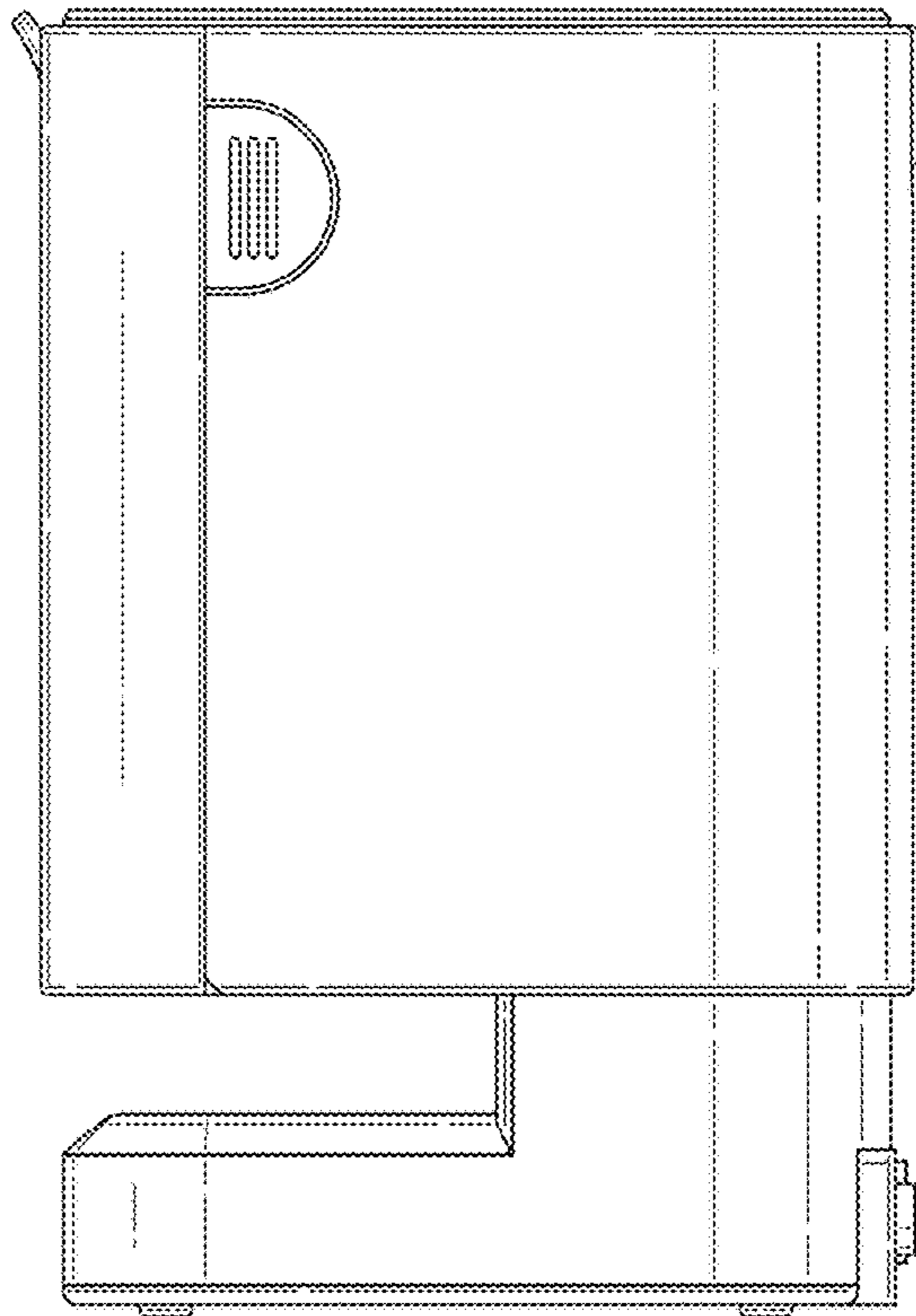


Fig. 19

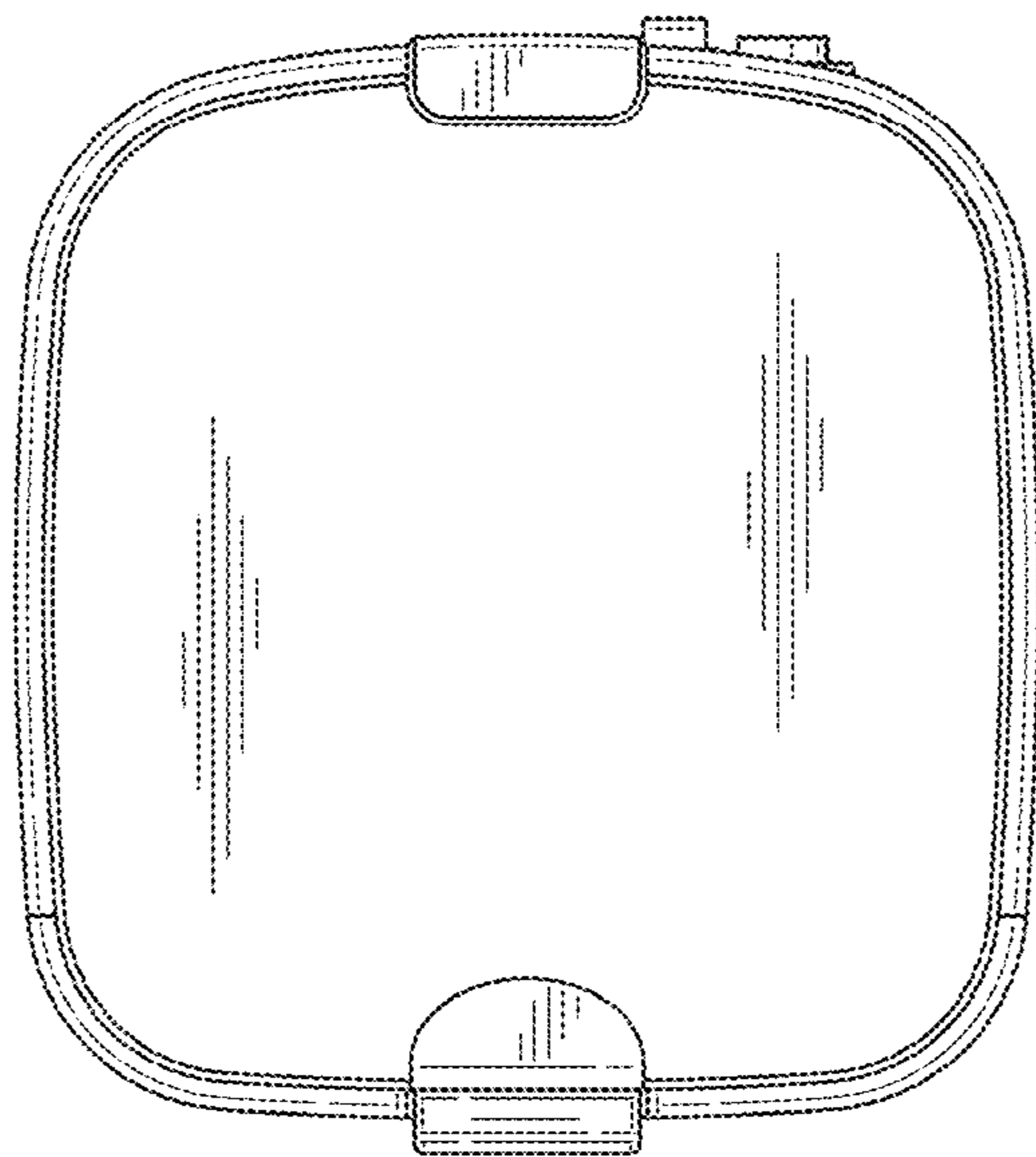


Fig. 20

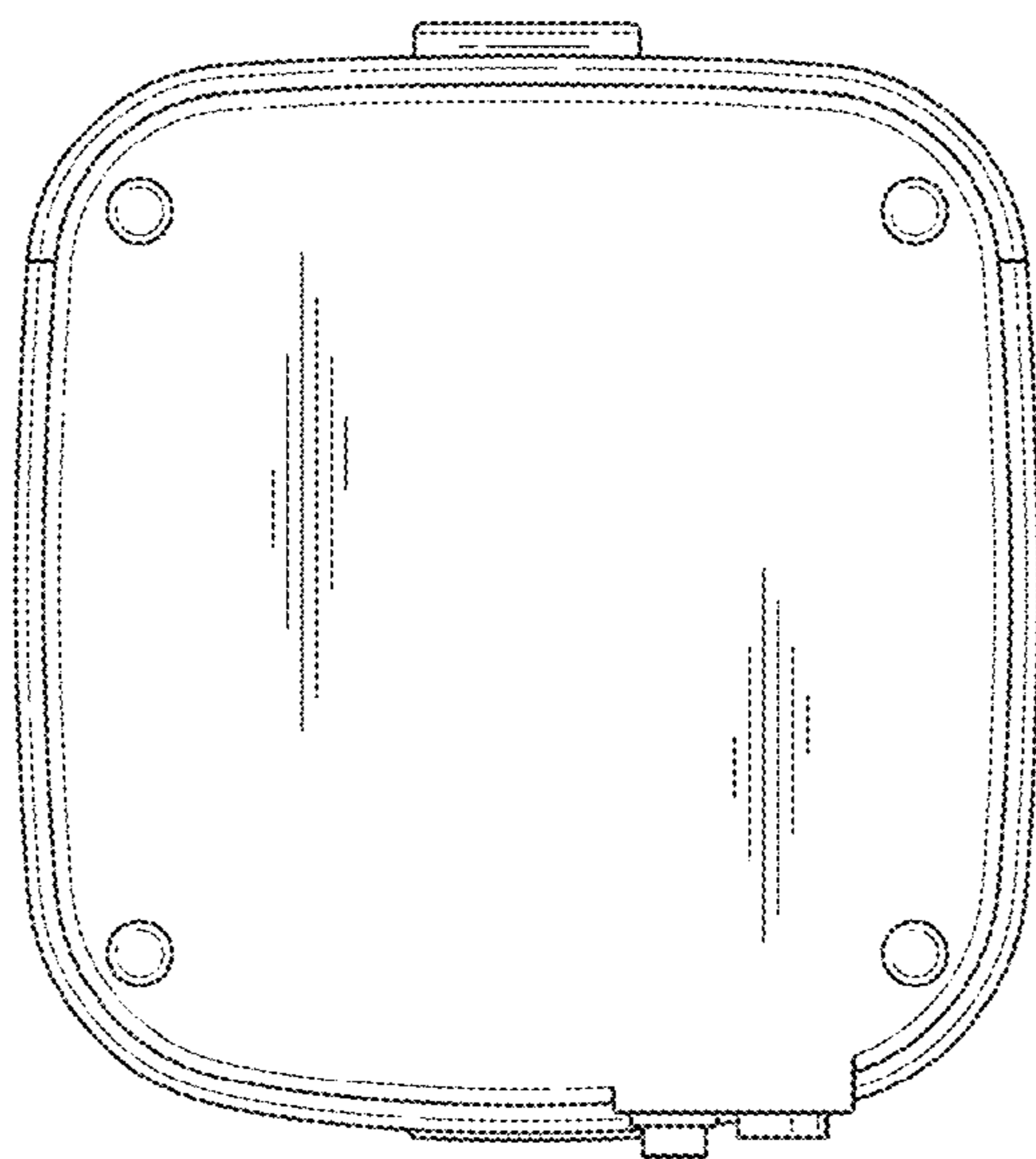


Fig. 21