



US00D962301S

(12) **United States Design Patent** (10) **Patent No.:** **US D962,301 S**  
**Choi et al.** (45) **Date of Patent:** **\*\* Aug. 30, 2022**

(54) **REFRIGERATOR**  
(71) Applicant: **LG ELECTRONICS INC.**, Seoul (KR)  
(72) Inventors: **Wonsang Choi**, Seoul (KR); **Kyukwan Choi**, Seoul (KR); **Sanghun Kim**, Seoul (KR); **Seungjin Yoon**, Seoul (KR)

D701,539 S \* 3/2014 Saejin ..... D15/85  
D760,822 S \* 7/2016 Lee ..... D15/91  
D760,823 S \* 7/2016 Lee ..... D15/91  
D761,334 S \* 7/2016 Lee ..... D15/86  
D761,336 S \* 7/2016 Lee ..... D15/91  
D768,738 S \* 10/2016 Lee ..... D15/91  
D768,739 S \* 10/2016 Lee ..... D15/91  
D771,724 S \* 11/2016 Jeon ..... D15/86

(Continued)

(73) Assignee: **LG ELECTRONICS INC.**, Seoul (KR)

(\*\*) Term: **15 Years**

(21) Appl. No.: **29/747,305**

(22) Filed: **Aug. 21, 2020**

(30) **Foreign Application Priority Data**

Feb. 24, 2020 (KR) ..... 30-2020-0008002

(51) **LOC (13) Cl.** ..... **15-07**

(52) **U.S. Cl.**  
USPC ..... **D15/81**; D15/79; D15/91

(58) **Field of Classification Search**  
USPC ..... D15/79-91; D6/661  
CPC ..... F25D 2323/021; F25D 2323/024; F25D 29/00; F25D 27/005; F25D 29/005; F25D 17/042; F25D 2325/021; F25D 11/00; F25D 11/02; F25D 11/025; F25D 23/00; F25D 23/02; F25D 23/04; F25D 23/12; F25D 23/028; F25D 25/02; F25D 25/021; F25D 25/022; F25D 25/024; F25D 25/025; A47F 3/04; A47F 3/0404

See application file for complete search history.

(56) **References Cited**

**U.S. PATENT DOCUMENTS**

D597,562 S \* 8/2009 Yang ..... D15/81  
D642,600 S \* 8/2011 Kristiansen ..... D15/86  
D665,828 S \* 8/2012 Hong ..... D15/91

**OTHER PUBLICATIONS**

LG Electronics, LG Dios Knock-On Magic Space Object Collection M872MGG451S, (site visited Dec. 8, 2021) LGE Korean Website, URL:<<https://www.lge.co.kr/refrigerators/m872mgg451s>> (Year: 2021).\*

(Continued)

*Primary Examiner* — Calvin E Vansant

*Assistant Examiner* — Mark T. Philipps

(74) *Attorney, Agent, or Firm* — Birch, Stewart, Kolasch & Birch, LLP

(57) **CLAIM**

The ornamental design for a refrigerator, as shown and described.

**DESCRIPTION**

FIG. 1 is a front perspective view of the refrigerator showing our new design;

FIG. 2 is a front view thereof;

FIG. 3 is a rear view thereof;

FIG. 4 is a left side view thereof;

FIG. 5 is a right side view thereof;

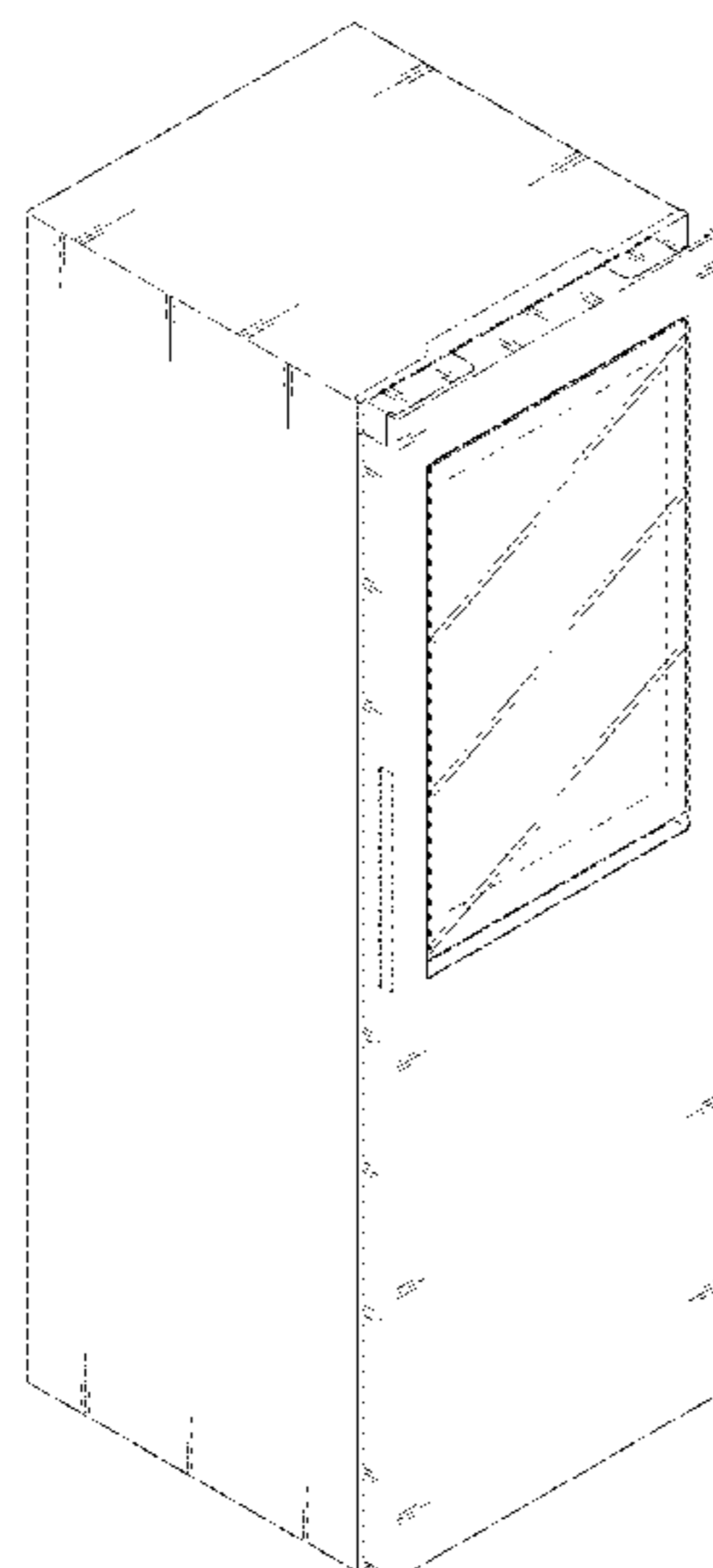
FIG. 6 is a top plan view thereof;

FIG. 7 is a bottom plan view thereof; and,

FIG. 8 is a perspective view showing the design in a state of use.

The broken lines depict portions of the refrigerator that form no part of the claimed design.

**1 Claim, 7 Drawing Sheets**



(56)

**References Cited**

U.S. PATENT DOCUMENTS

D773,539 S \* 12/2016 Kim ..... D15/86  
 D780,815 S \* 3/2017 Seo ..... D15/91  
 D786,948 S \* 5/2017 Lee ..... D15/86  
 D791,199 S \* 7/2017 Kim ..... D15/86  
 D803,278 S \* 11/2017 Kim ..... D15/89  
 D807,408 S \* 1/2018 Kim ..... D15/81  
 D807,409 S \* 1/2018 Onrat ..... D15/85  
 D825,619 S \* 8/2018 Lee ..... D15/81  
 D825,620 S \* 8/2018 Lee ..... D15/81  
 D827,683 S \* 9/2018 Jeon ..... D15/85  
 D841,058 S \* 2/2019 Lee ..... D15/86  
 D841,060 S \* 2/2019 Jeon ..... D15/91  
 D847,214 S \* 4/2019 Guo ..... D15/81  
 D855,085 S \* 7/2019 Jeon ..... D15/85  
 10,342,363 B2 \* 7/2019 Park ..... F21V 23/002  
 D876,493 S \* 2/2020 Fidler ..... D15/86  
 D892,873 S \* 8/2020 Park ..... D15/85  
 D895,695 S \* 9/2020 Choi ..... D15/85  
 D908,748 S \* 1/2021 Lee ..... D15/91  
 D916,145 S \* 4/2021 Kim ..... F25D 25/025  
 D15/85

D921,064 S \* 6/2021 Lee ..... D15/89  
 D921,714 S \* 6/2021 Yoon ..... D15/86  
 D923,064 S \* 6/2021 Incukur ..... D15/81  
 D923,065 S \* 6/2021 Lee ..... D15/89  
 D926,829 S \* 8/2021 Kim ..... F25D 25/025  
 D15/85  
 D927,563 S \* 8/2021 Lee ..... D15/88  
 D929,472 S \* 8/2021 Kim ..... F25D 25/025  
 D15/81

OTHER PUBLICATIONS

LG Electronics, LG Signature 31 cu. ft. Smart wi-fi Enabled InstaView Door-in-Door Refrigerator, (site visited Dec. 8, 2021)  
 LGE US Website, URL:<<https://www.lg.com/us/refrigerators/lg-urnts3106n-instaview-door-in-door-refrigerator-lgsignature>> (Year: 2021).\*  
 LG Electronics, 36 Inch Smart Freestanding Side by Side Refrigerator LRSOS2706S, (site visited Dec. 9, 2021), Appliance Connection Website, URL:<<https://www.appliancesconnection.com/lg-lrsos2706s.html>> (Year: 2021).\*

\* cited by examiner

FIG. 1

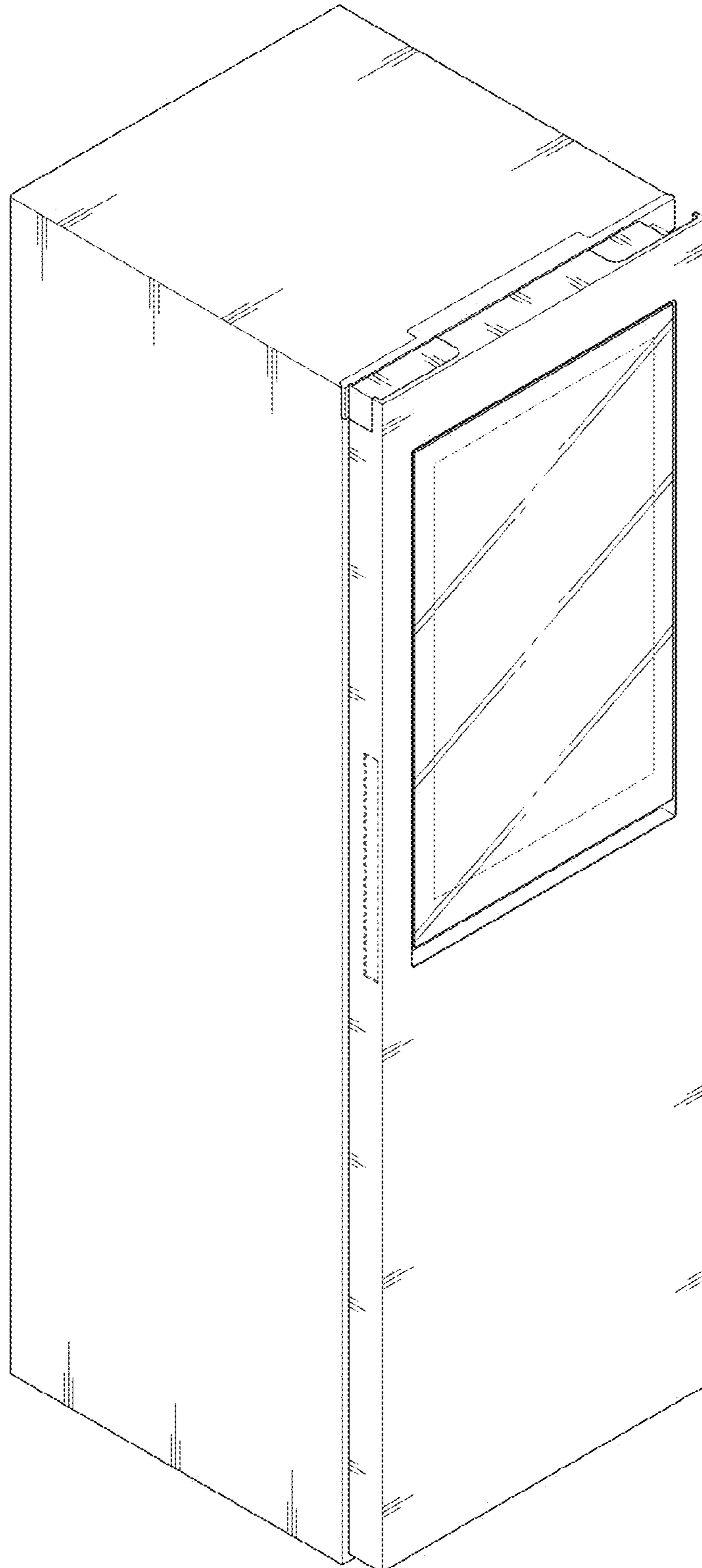


FIG. 2

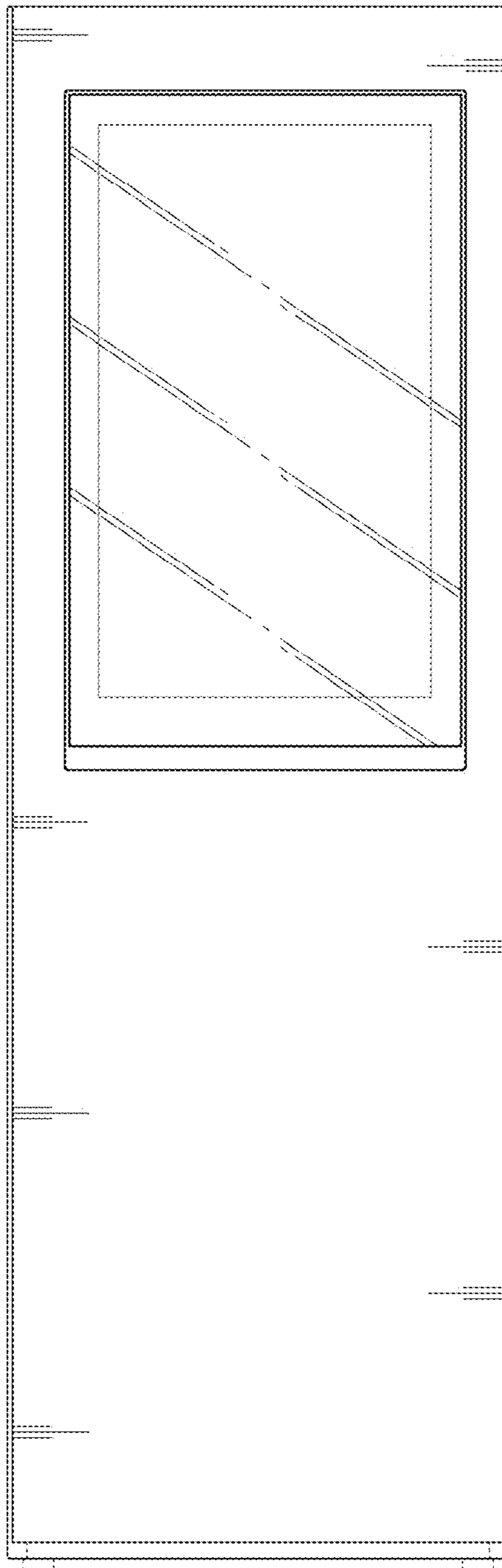


FIG. 3

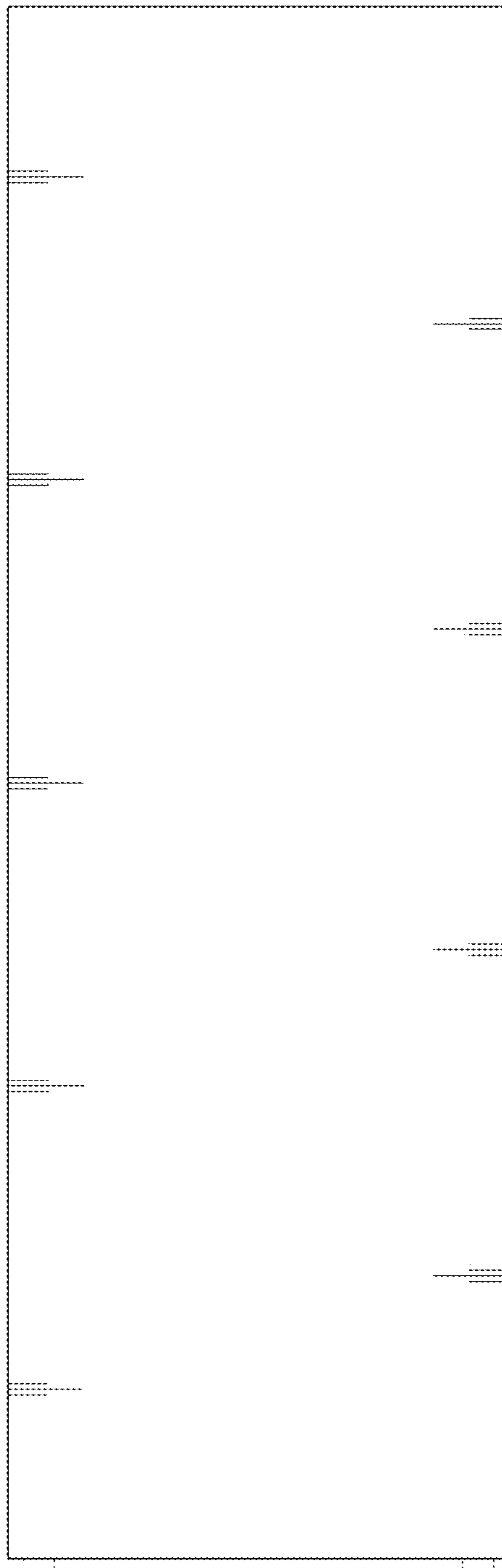


FIG. 4

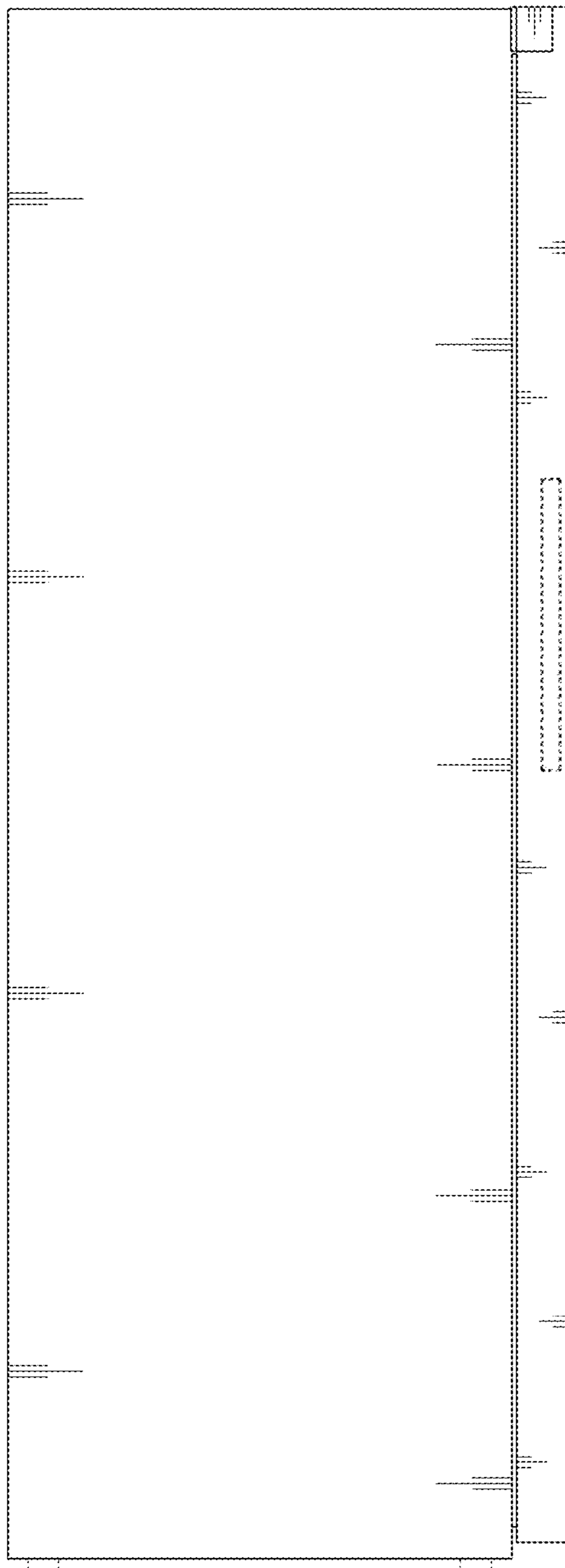


FIG. 5

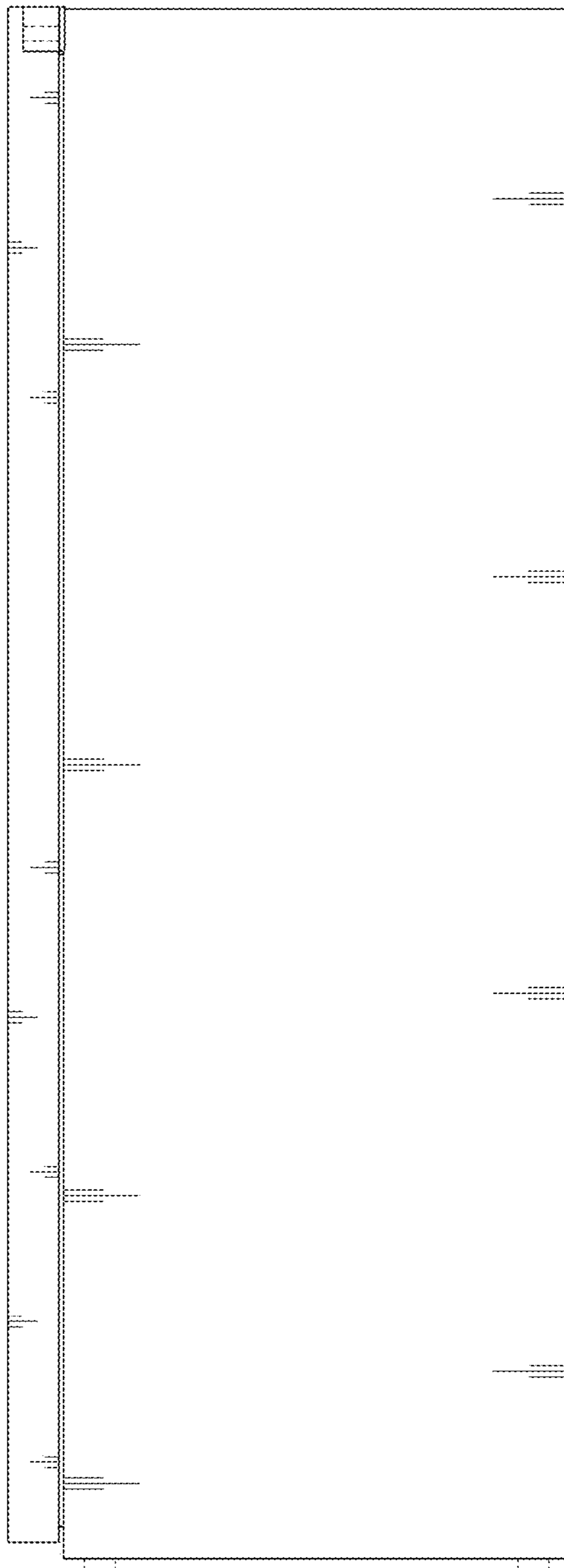


FIG. 6

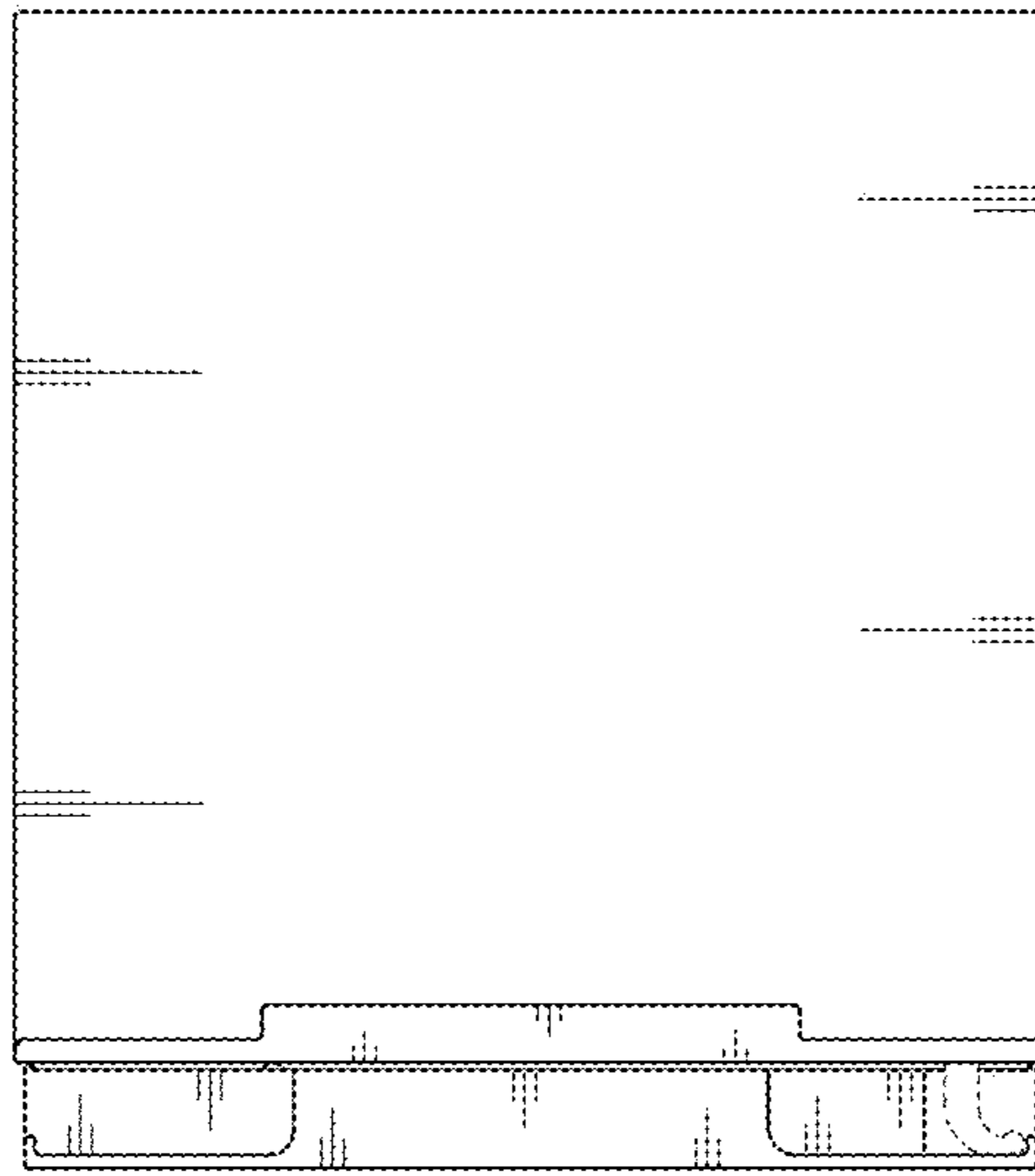


FIG. 7

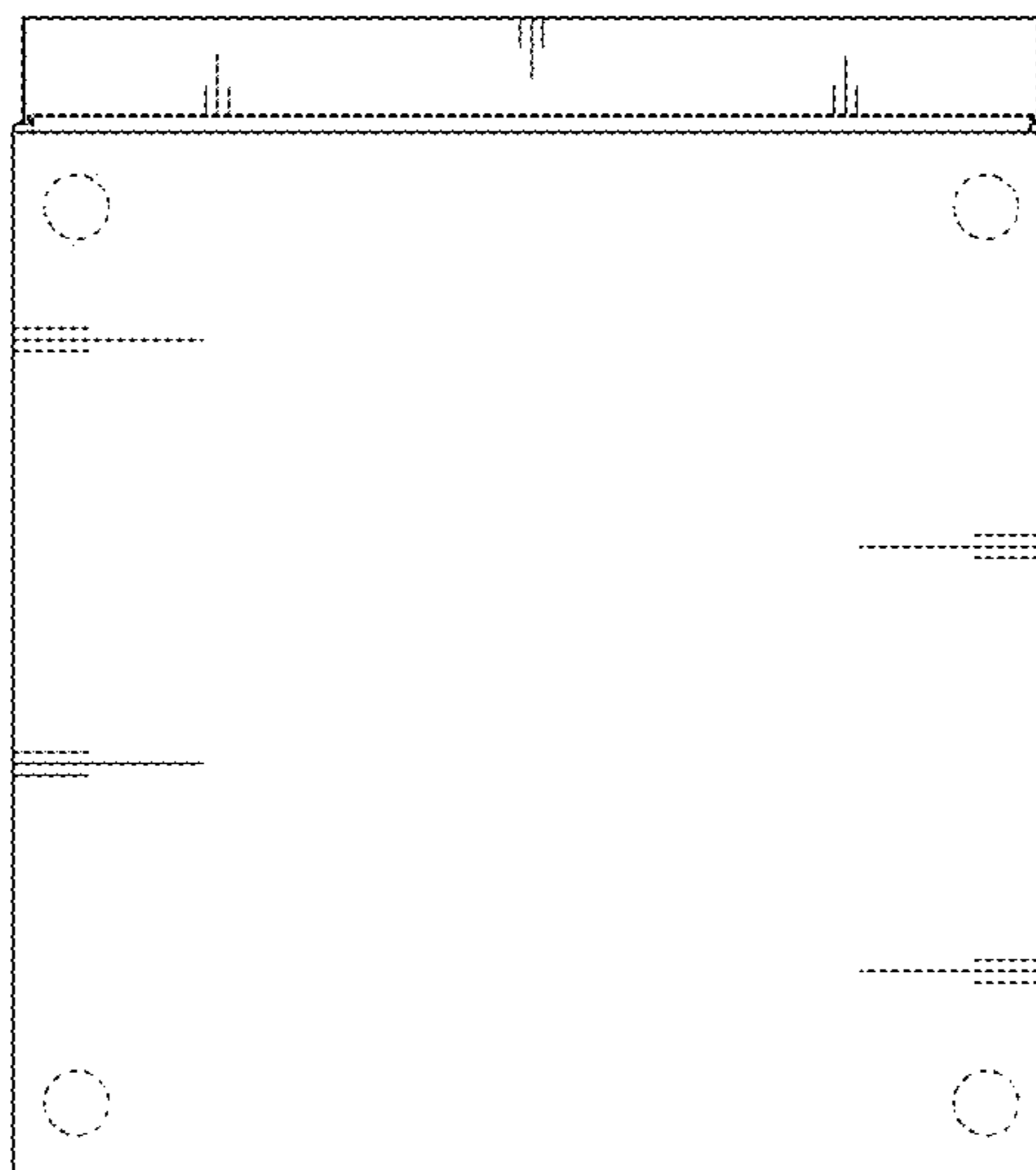




FIG. 8

