



US00D962300S

(12) **United States Design Patent** (10) **Patent No.:** **US D962,300 S**
Keetch et al. (45) **Date of Patent:** **** Aug. 30, 2022**

(54) **COOLER**

FOREIGN PATENT DOCUMENTS

(71) Applicant: **LIFETIME PRODUCTS, INC.**,
Clearfield, UT (US)

CA 177240 * 6/2018
CA 178729 * 1/2019

(Continued)

(72) Inventors: **Allen Keetch**, South Weber, UT (US);
Robert A. Astle, Farmington, UT (US)

OTHER PUBLICATIONS

(73) Assignee: **LIFETIME PRODUCTS, INC.**,
Clearfield, UT (US)

RTIC [online] URL: <https://www.amazon.com/RTIC-Cooler-20-qt-Blue/dp/B076HCXZMH> (site visited: Jan. 7, 2022) (Year: 2017).*

(Continued)

(**) Term: **15 Years**

Primary Examiner — Jae Liang

(21) Appl. No.: **29/730,693**

Assistant Examiner — Tia Ruth-Renee Polidori

(22) Filed: **Apr. 7, 2020**

(74) *Attorney, Agent, or Firm* — Maschoff Brennan

(51) **LOC (13) Cl.** **15-07**

(57) **CLAIM**

The ornamental design for a cooler, as shown and described.

(52) **U.S. Cl.**

DESCRIPTION

USPC **D15/79**; D15/83

(58) **Field of Classification Search**

USPC 62/911; D3/276, 272, 273, 294; D7/605,
D7/629; D15/79, 80, 81, 82, 89

CPC F25D 3/08; F25D 3/02; F25D 3/04; F25D
3/06; F25D 3/14; F25D 3/107; F25D
2331/804; F25D 2331/801; B65D 81/38;
B65D 81/3813; B65D 81/3816; B65D
81/3818; B65D 81/382; B65D 81/3823;
B65D 81/3825; B65D 81/3827; B65D
81/383; B65D 81/3832; B65D 81/3834;
B65D 81/3848; B65D 81/3851; B65D
81/3853; B65D 81/3855; B65D 81/3858;

(Continued)

FIG. 1 is a top perspective view of a first embodiment of our new design for a cooler;
FIG. 2 is a bottom perspective view thereof;
FIG. 3 is a front elevation view thereof;
FIG. 4 is a rear elevation view thereof;
FIG. 5 is a left-side elevation view thereof;
FIG. 6 is a right-side elevation view thereof;
FIG. 7 is a top plan view thereof;
FIG. 8 is a bottom plan view thereof;
FIG. 9 is a top perspective view of a second embodiment of our new design for a cooler;
FIG. 10 is a bottom perspective view thereof;
FIG. 11 is a front elevation view thereof;
FIG. 12 is a rear elevation view thereof;
FIG. 13 is a left-side elevation view thereof;
FIG. 14 is a right-side elevation view thereof;
FIG. 15 is a top plan view thereof; and,
FIG. 16 is a bottom plan view thereof.

The portions of the cooler shown in broken lines form no part of the claimed design.

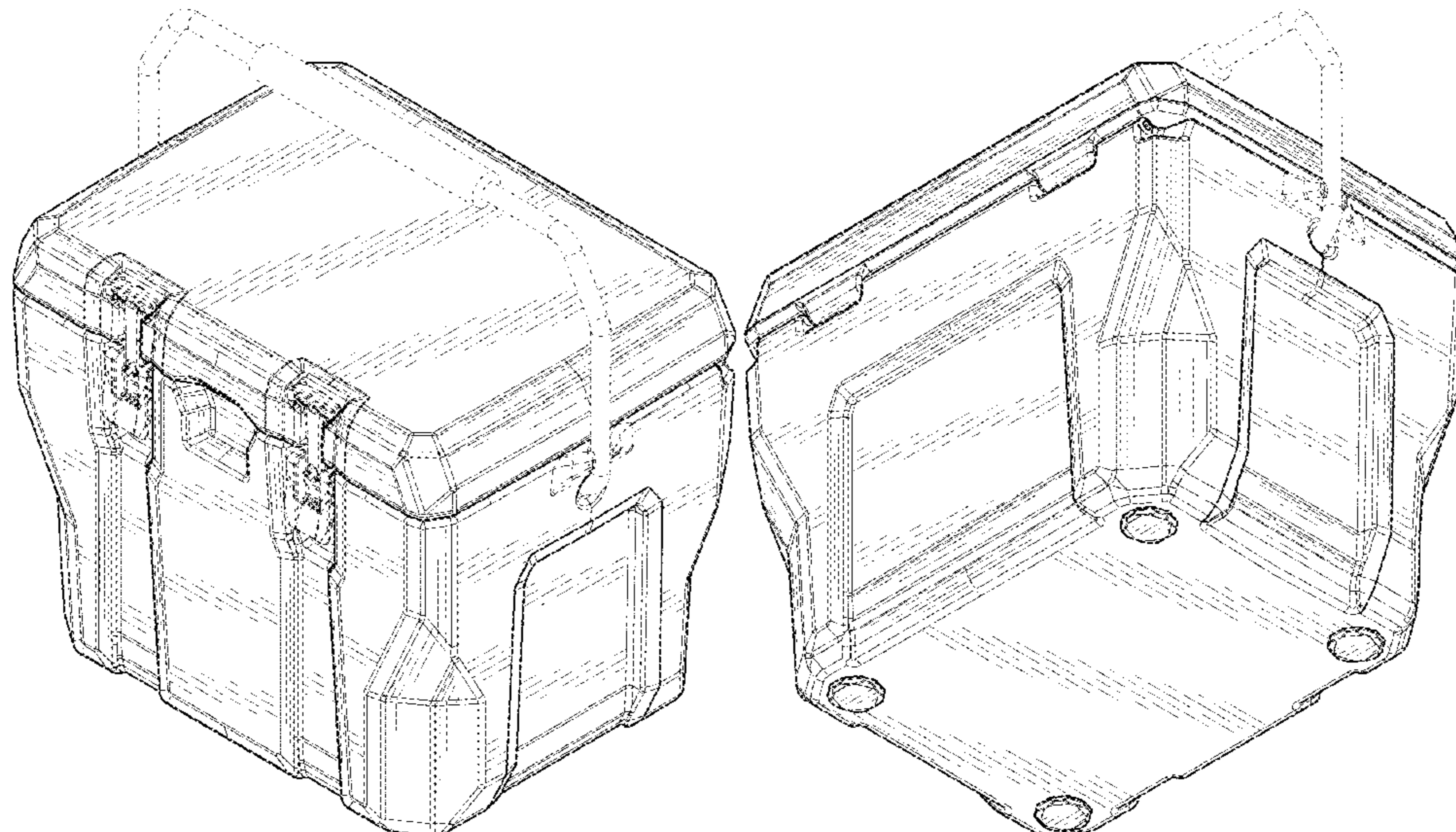
(56) **References Cited**

U.S. PATENT DOCUMENTS

D281,695 S 12/1985 Ryan, Jr.
4,592,482 A 9/1986 Seager
D325,323 S 4/1992 Kahl

(Continued)

1 Claim, 14 Drawing Sheets



US D962,300 S

(58) **Field of Classification Search**
 CPC ... B65D 81/386; B65D 81/3862; A45C 11/20;
 A45C 3/00
 See application file for complete search history.

(56) **References Cited**

U.S. PATENT DOCUMENTS

D354,419 S	1/1995	Kahl et al.	
D374,772 S	10/1996	Hotaling et al.	
D415,393 S *	10/1999	Kei	D7/605
D429,606 S	8/2000	Israel et al.	
D429,966 S	8/2000	Israel et al.	
D451,765 S	12/2001	Israel et al.	
D452,262 S	12/2001	MacNeil et al.	
D545,633 S	7/2007	Hussaini et al.	
D566,479 S	4/2008	Kabalin	
8,061,547 B2	11/2011	Camp, Jr.	
D652,262 S	1/2012	Yang et al.	
8,356,712 B2	1/2013	Piazza, Jr.	
D712,720 S	9/2014	Seiders	
D712,721 S	9/2014	Seiders	
D712,722 S	9/2014	Seiders	
D712,723 S	9/2014	Seiders	
D714,125 S	9/2014	Seiders	
8,887,515 B2	11/2014	Patstone	
8,910,819 B2	12/2014	Seiders	
D722,474 S	2/2015	Seiders	
D722,475 S	2/2015	Seiders	
9,187,232 B2	11/2015	Seiders	
9,694,521 B2	7/2017	French et al.	
D805,851 S	12/2017	Sullivan et al.	
D806,483 S	1/2018	Stanford	
D808,730 S	1/2018	Sullivan et al.	
D816,425 S	5/2018	Stanford	
D821,825 S	7/2018	Sullivan et al.	
D824,731 S	8/2018	Sullivan et al.	
D830,132 S	10/2018	Sullivan et al.	
D830,133 S	10/2018	Sullivan et al.	
D830,134 S	10/2018	Sullivan et al.	
D835,470 S	12/2018	Seiders et al.	
D835,946 S	12/2018	Seiders et al.	
D836,402 S *	12/2018	Jacobsen	D7/605
D851,462 S	6/2019	Stanford	
D863,893 S	10/2019	Ellison et al.	
D866,267 S *	11/2019	Carey	D7/605
D869,244 S	12/2019	Ellison et al.	
D873,623 S *	1/2020	McGugan	D7/605
10,526,130 B2	1/2020	Sonntag et al.	
10,605,515 B2 *	3/2020	Stanford	B65D 25/24
D880,252 S *	4/2020	Jacobsen	D7/605
D883,752 S *	5/2020	Carey	D7/605
D887,789 S	6/2020	Seiders et al.	
D888,503 S *	6/2020	Meda	D7/605
D889,208 S	7/2020	Ellison et al.	
D891,193 S	7/2020	Stanford	
D891,194 S	7/2020	Stanford	
D892,565 S	8/2020	Astle	
D895,375 S *	9/2020	Hurley, Jr.	D7/605
D895,376 S *	9/2020	Hurley, Jr.	D7/605
10,766,672 B2	9/2020	Bullock et al.	
D899,866 S	10/2020	Bullock et al.	
D899,867 S	10/2020	Bullock et al.	
D899,868 S	10/2020	Bullock et al.	
D899,869 S	10/2020	Bullock et al.	
D904,129 S	12/2020	Astle	
D911,118 S *	2/2021	Deng	D7/605
D915,831 S	4/2021	Seiders et al.	

11,027,907 B2 *	6/2021	Hoyt	B65D 51/24
D925,295 S	7/2021	Bullock et al.	
D925,296 S	7/2021	Bullock et al.	
D925,297 S	7/2021	Bullock et al.	
D925,298 S	7/2021	Bullock et al.	
D929,190 S *	8/2021	Stanford	D7/605
D929,813 S *	9/2021	Stanford	D7/605
D930,440 S	9/2021	Astle et al.	
D930,441 S	9/2021	Seiders et al.	
11,180,291 B2	11/2021	Bullock et al.	
D942,812 S *	2/2022	Luo	D7/605
D948,292 S *	4/2022	Deng	D7/605
2010/0078441 A1	4/2010	Barnett	
2012/0132657 A1	5/2012	Seiders	
2013/0062356 A1	3/2013	Deka	
2014/0013789 A1	1/2014	Conrad et al.	
2015/0060470 A1	3/2015	Seiders	
2015/0225164 A1	8/2015	Seiders et al.	
2015/0322698 A1	11/2015	Seiders	
2015/0353263 A1	12/2015	Seiders et al.	
2016/0236849 A1	8/2016	Seiders et al.	
2016/0257479 A1	9/2016	Seiders et al.	
2019/0234671 A1 *	8/2019	Stanford	F25D 23/065

FOREIGN PATENT DOCUMENTS

CA	188480	*	1/2021
CA	189917	*	3/2021
CA	184016	*	1/2022
CA	190561	*	1/2022
GB	2099084	*	6/2001
JP	D1433757	*	2/2012
JP	D1702621	*	12/2021
PH	3-2017-630-0001	*	8/2017

OTHER PUBLICATIONS

Lifetime [online] URL: <https://www.amazon.com/Lifetime-90820-Quart-Performance-Cooler/dp/B077TTYW8M/> (site visited: Jan. 7, 2022) (Year: 2018).*

Lifetime [online] URL: <https://www.amazon.com/Lifetime-28-Quart-High-Performance-Cooler-Grey/dp/B07T6T18SY> (site visited: Jan. 7, 2022) (Year: 2019).*

Cordova [online] URL: <https://blockpartygear.com/Cordova-Companion> (site visited: Jan. 7, 2022) (Year: 2022).*

Lifetime [online] URL: <https://www.amazon.com/Lifetime-High-Performance-Cooler-28-Quart/dp/B07RW54CH2> (site visited: Apr. 25, 2022) (Year: 2019).*

U.S. Appl. No. 29/652,414, Restriction Requirement dated Feb. 2, 2021.

U.S. Appl. No. 29/744,333, Restriction Requirement dated Feb. 2, 2021.

U.S. Appl. No. 29/744,331, Restriction Requirement dated Feb. 2, 2021.

U.S. App. No. 29/652,414, filed Aug. 10, 2020.

U.S. Appl. No. 29/744,331, filed Jul. 28, 2020.

U.S. Appl. No. 29/744,333, filed Jul. 28, 2020.

U.S. Appl. No. 29/677,028, filed Jan. 16, 2020.

U.S. Appl. No. 29/677,025, filed Jan. 16, 2020.

U.S. Appl. No. 29/688,014, filed Apr. 17, 2019.

U.S. Appl. No. 29/713,735, filed Nov. 18, 2019.

U.S. Appl. No. 29/800,630, filed Jul. 22, 2021.

U.S. Appl. No. 29/806,863, filed Sep. 7, 2021.

U.S. Appl. No. 29/808,444, filed Sep. 21, 2021.

* cited by examiner

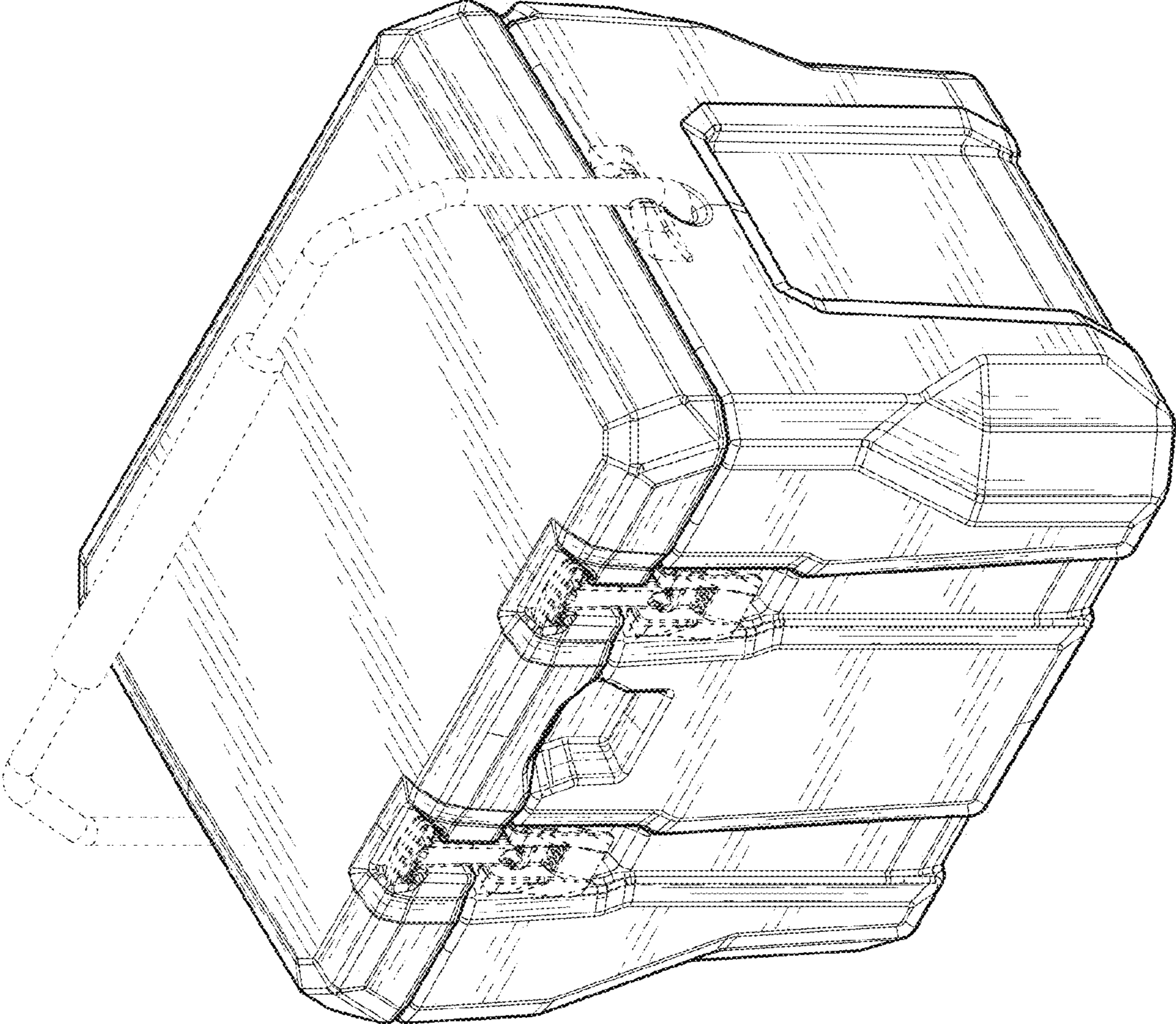


FIG. 1

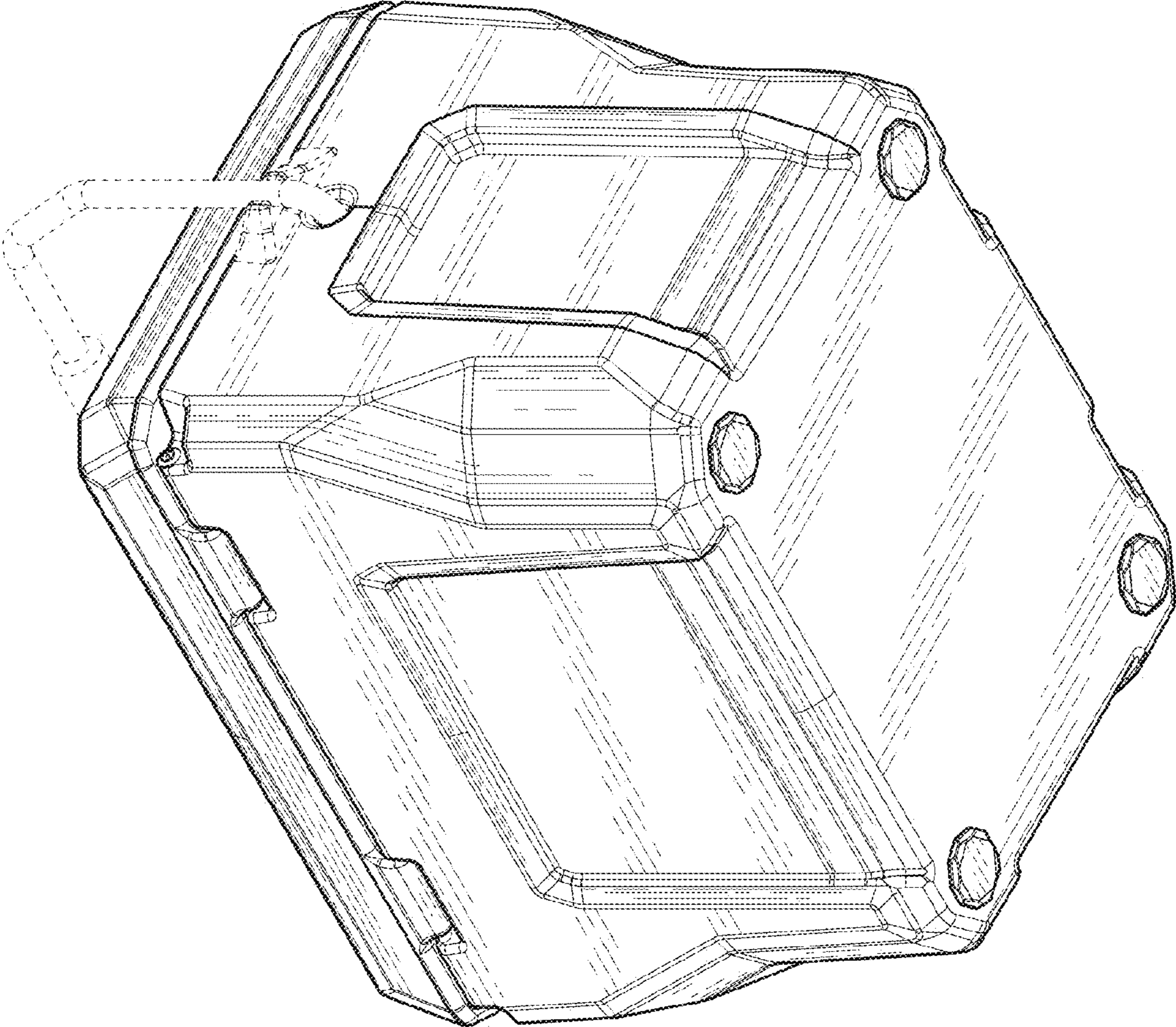


FIG. 2

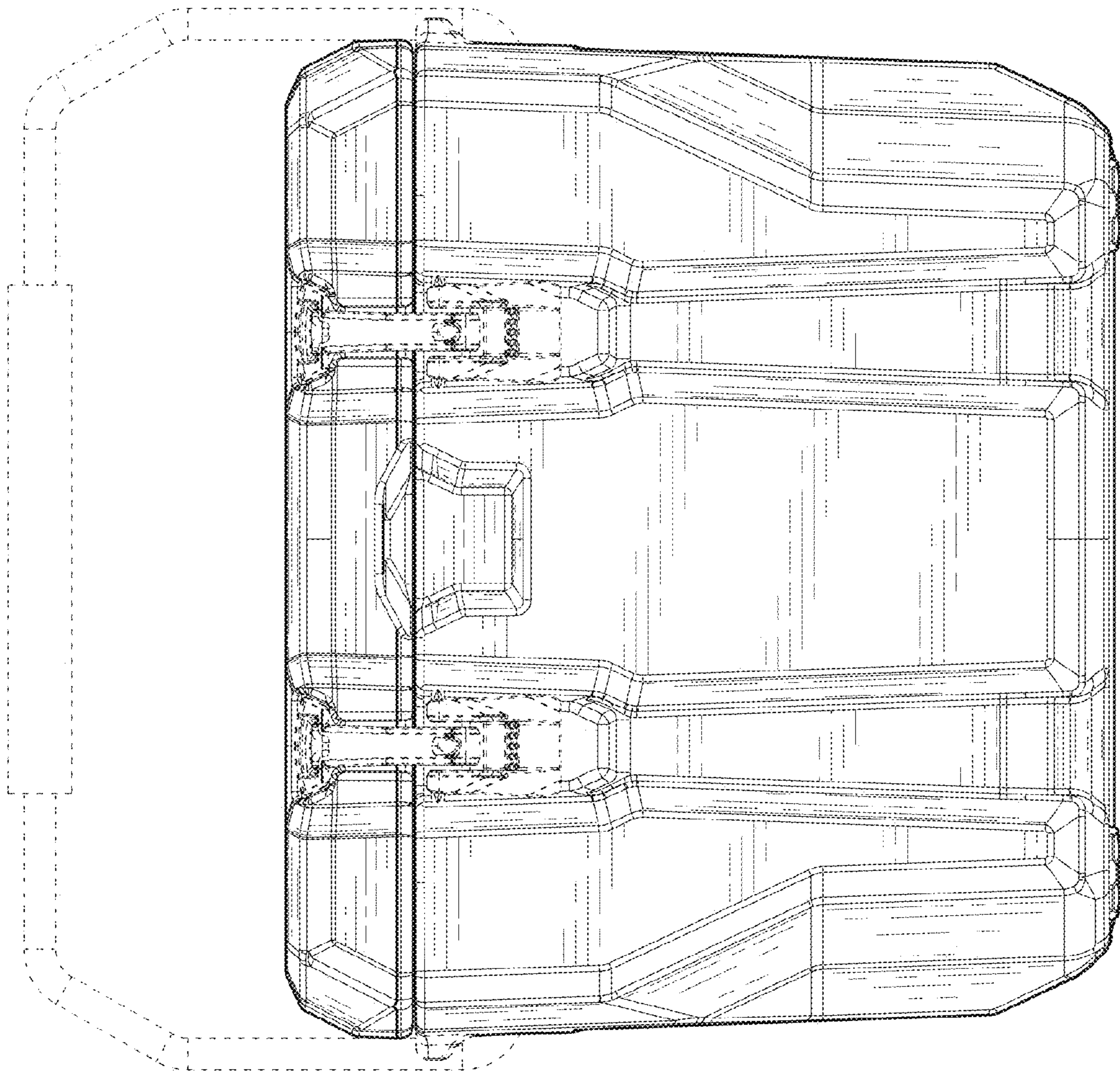


FIG. 3

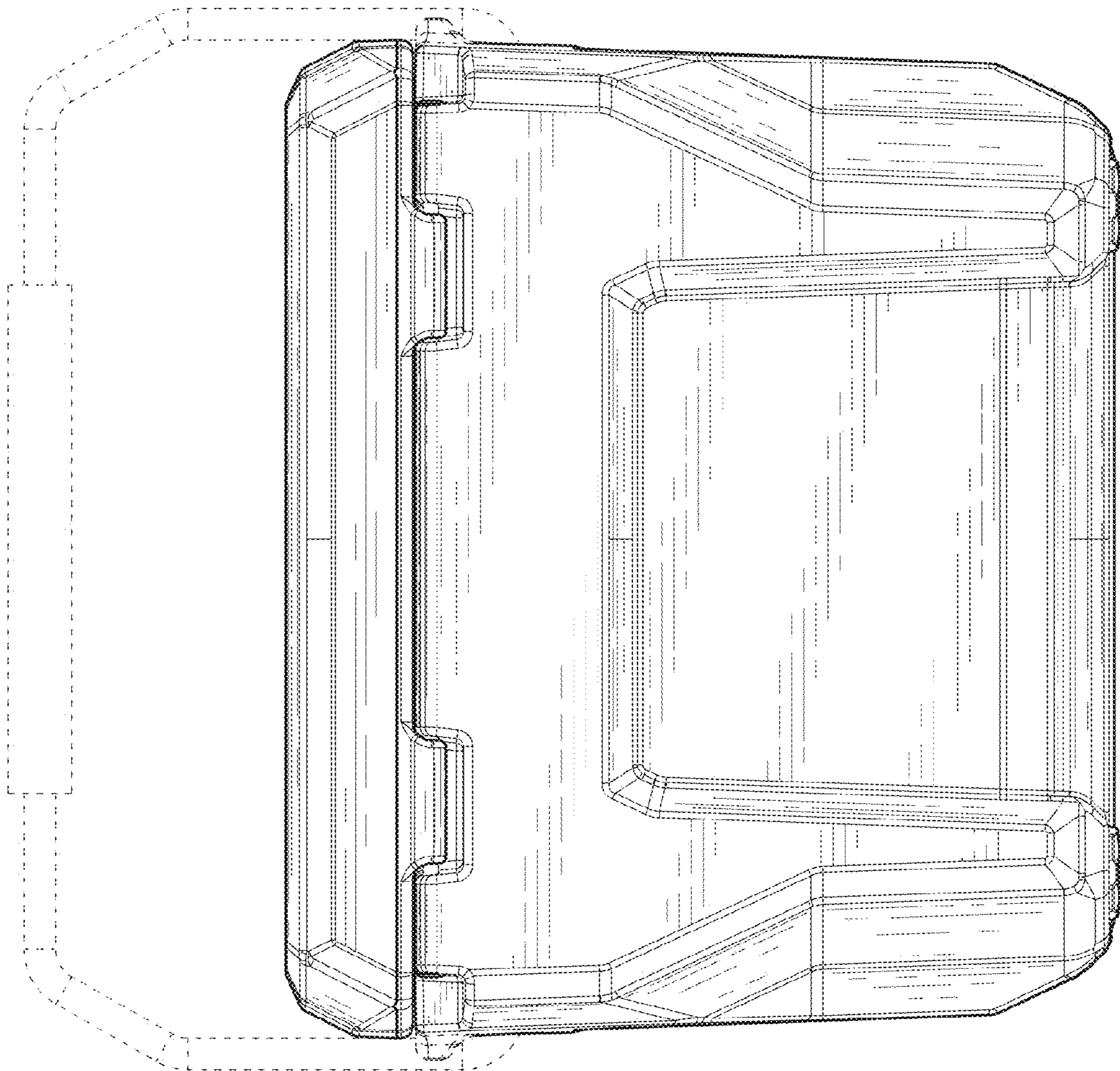


FIG. 4

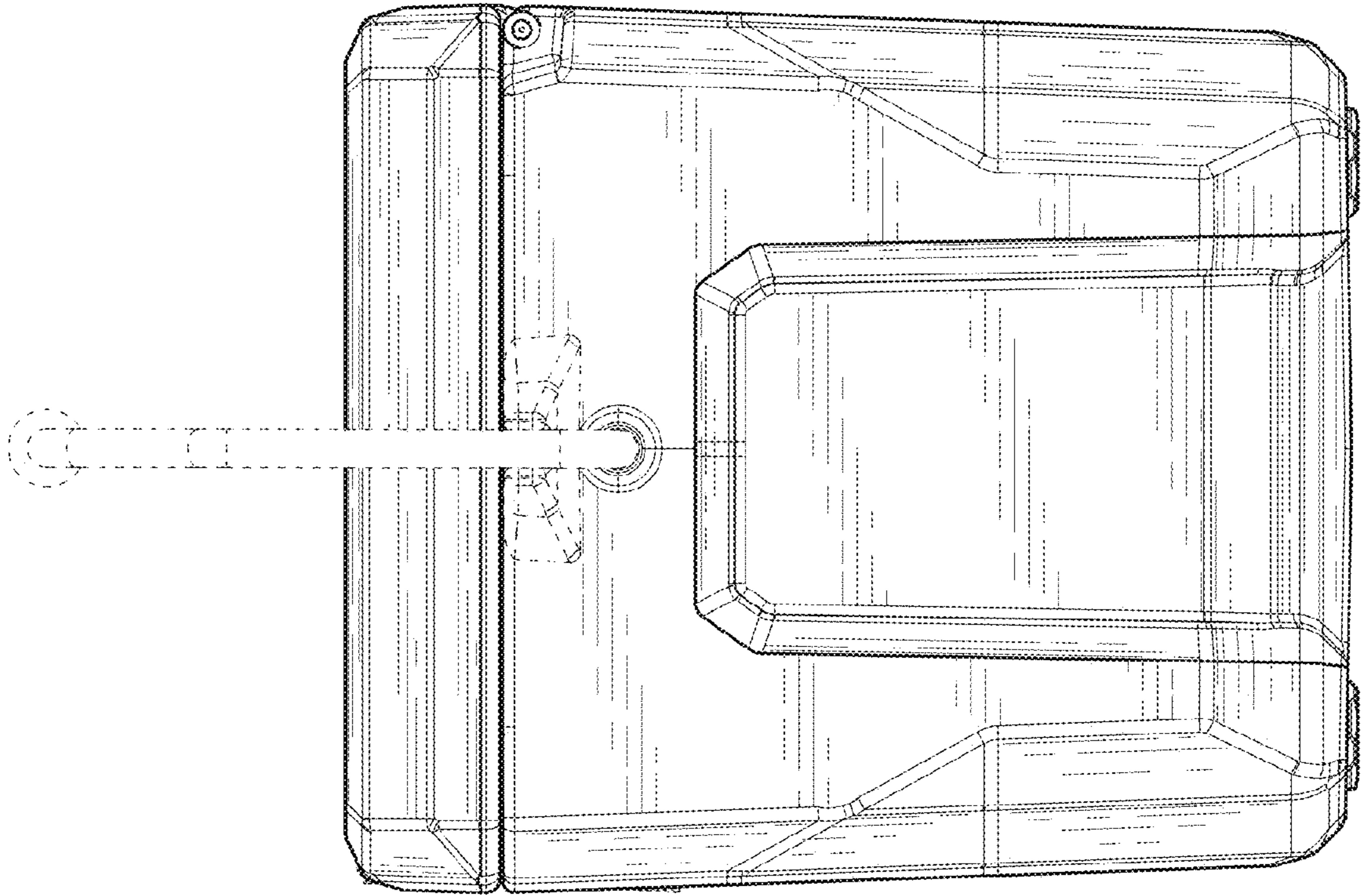


FIG. 6

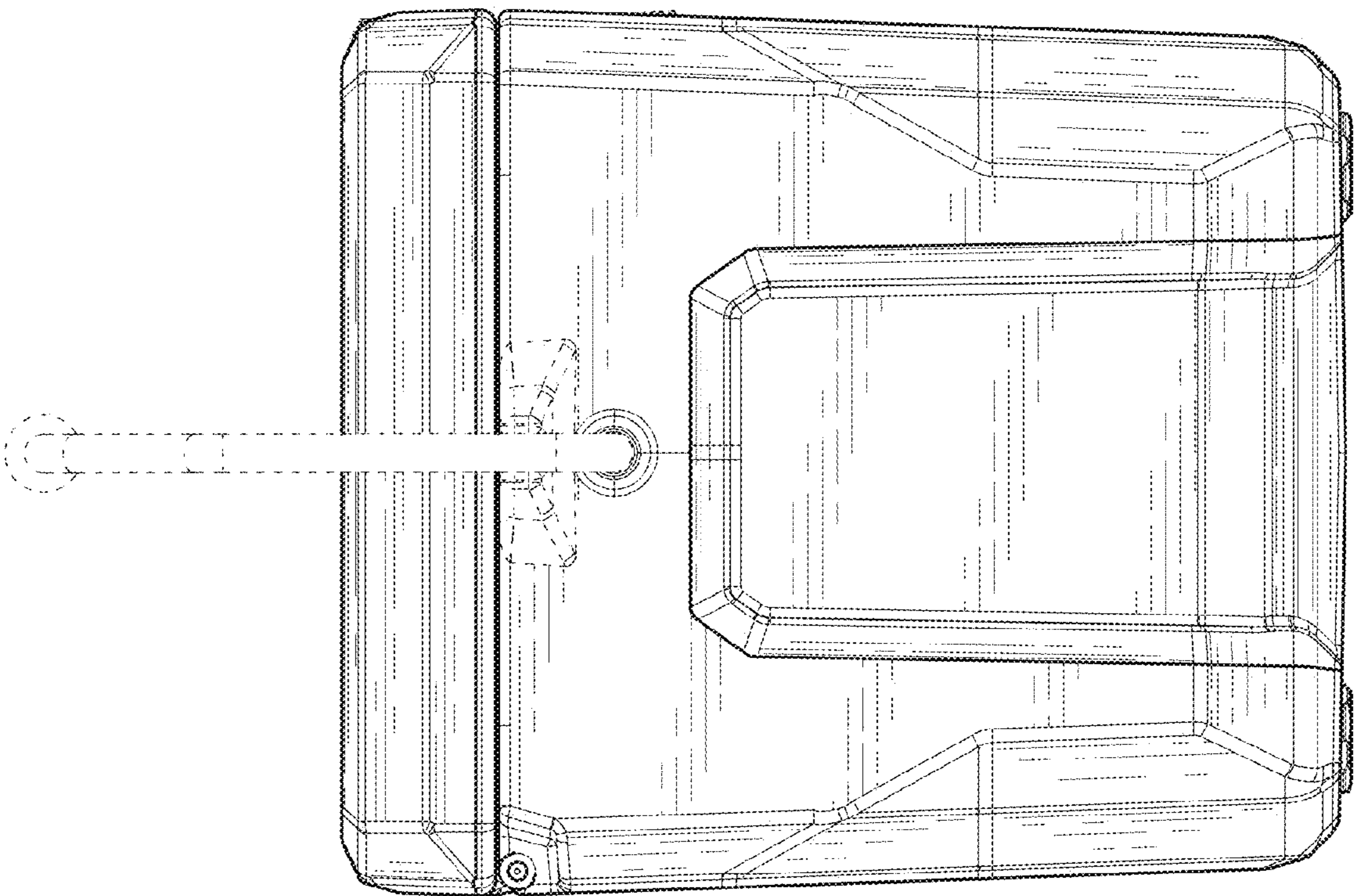


FIG. 5

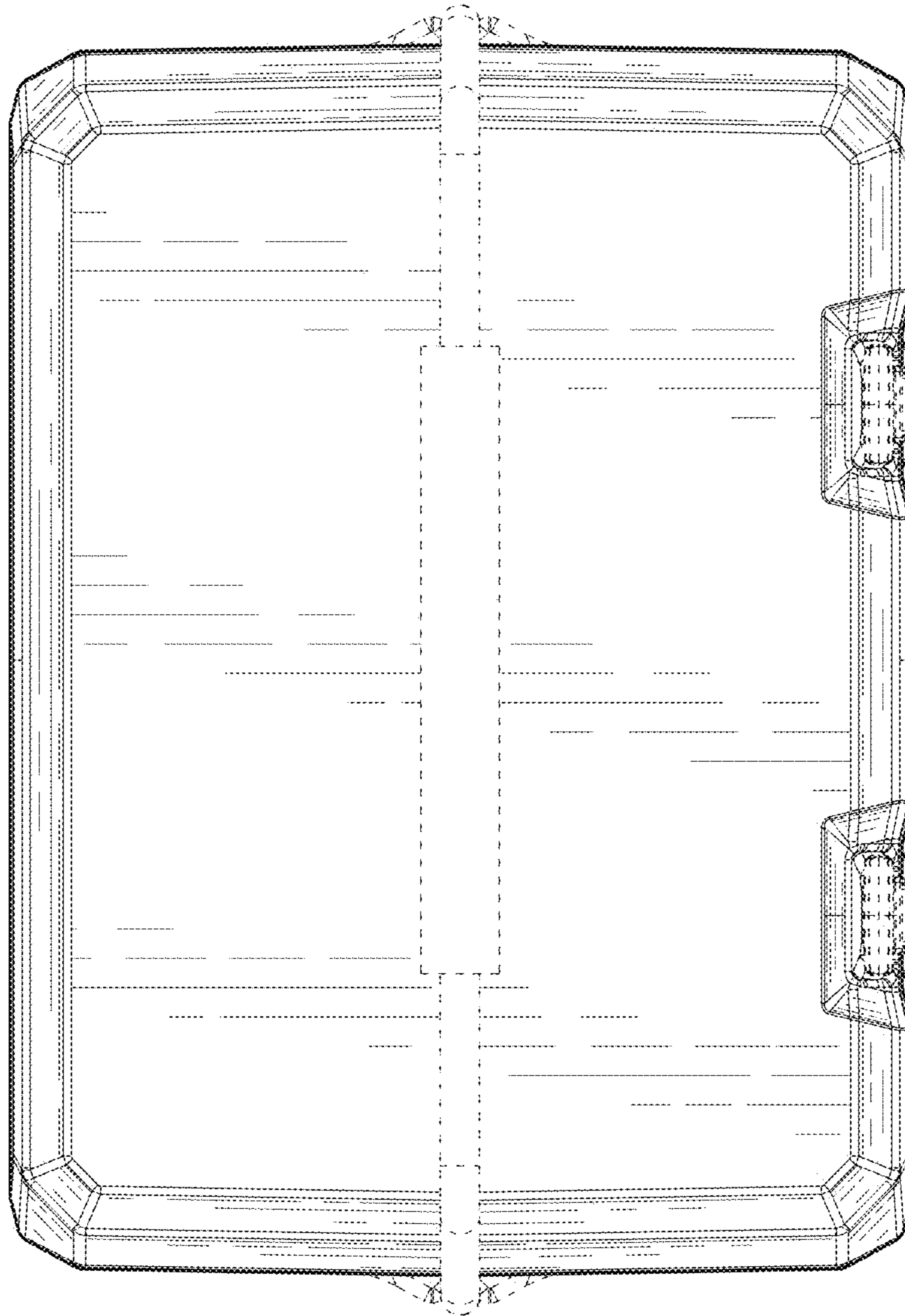


FIG. 7

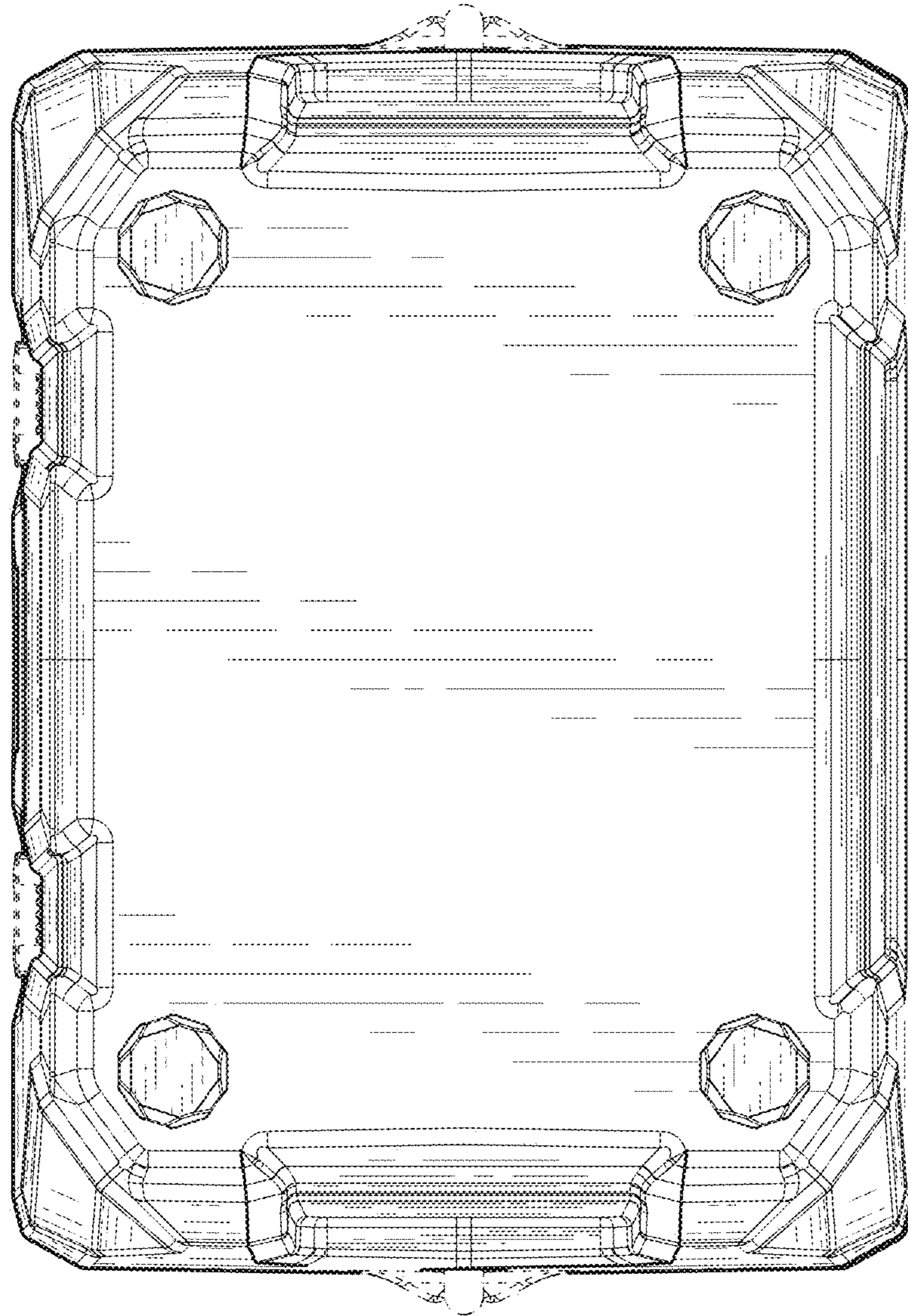


FIG. 8

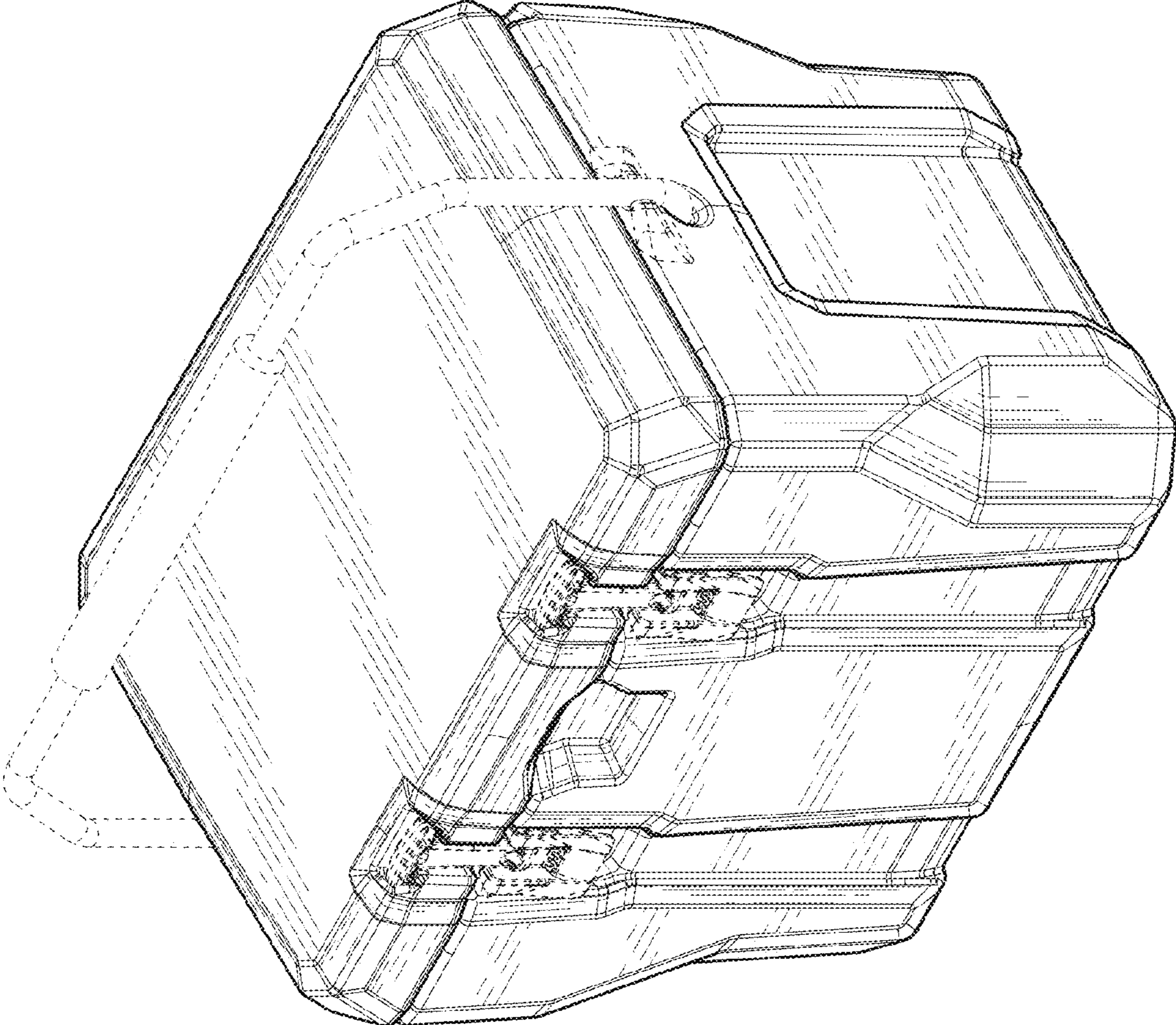


FIG. 9

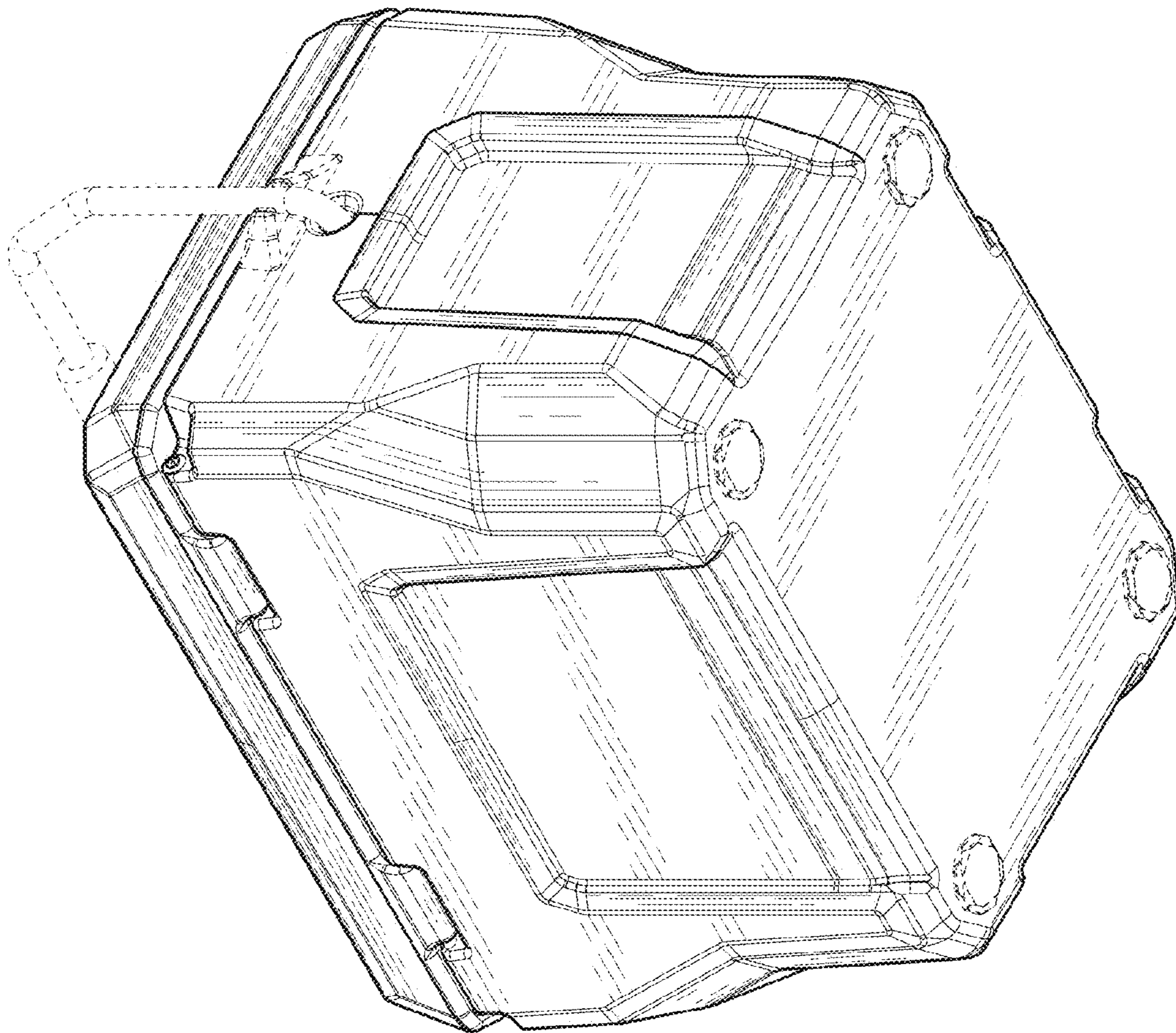


FIG. 10

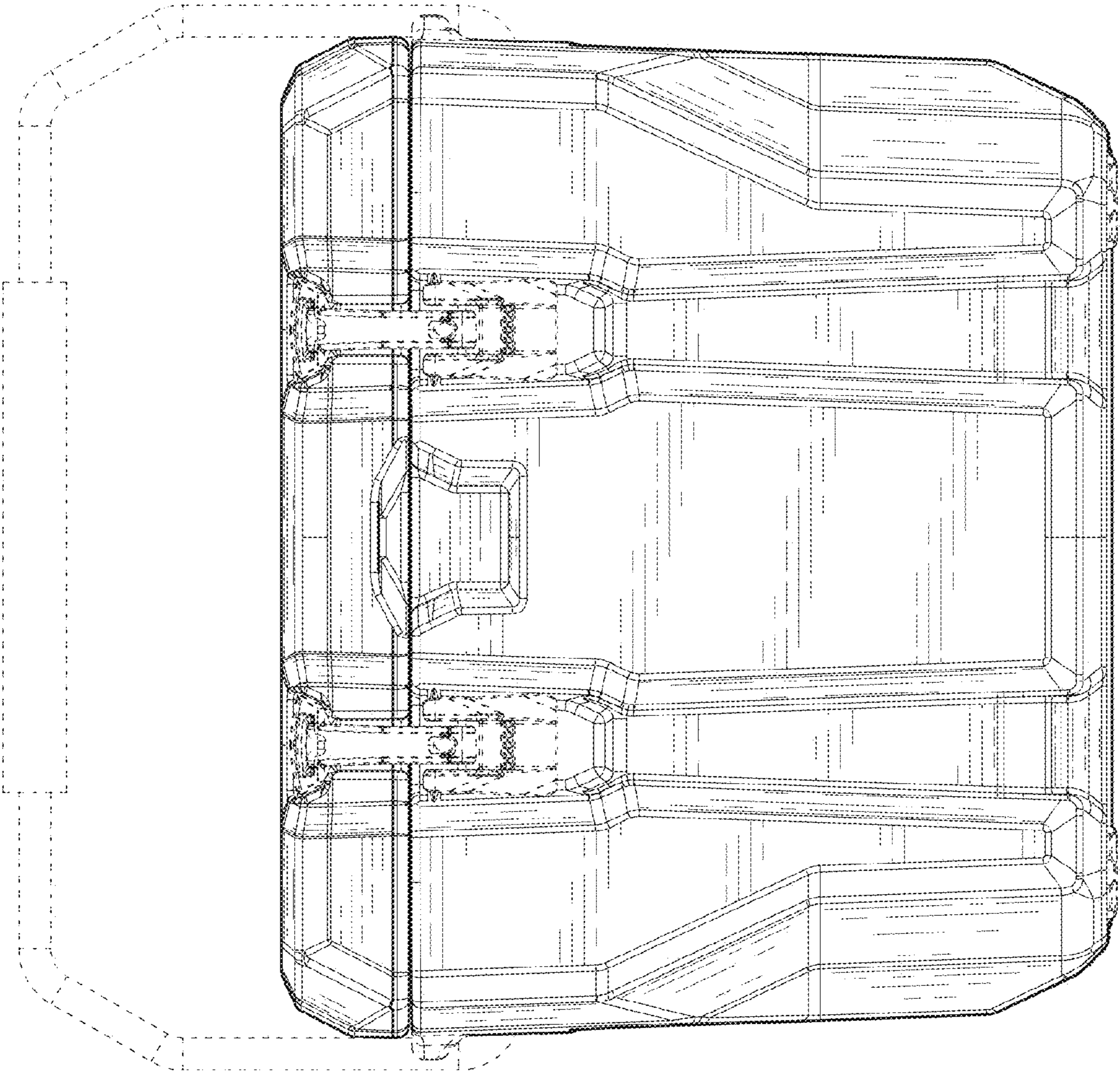


FIG. 11

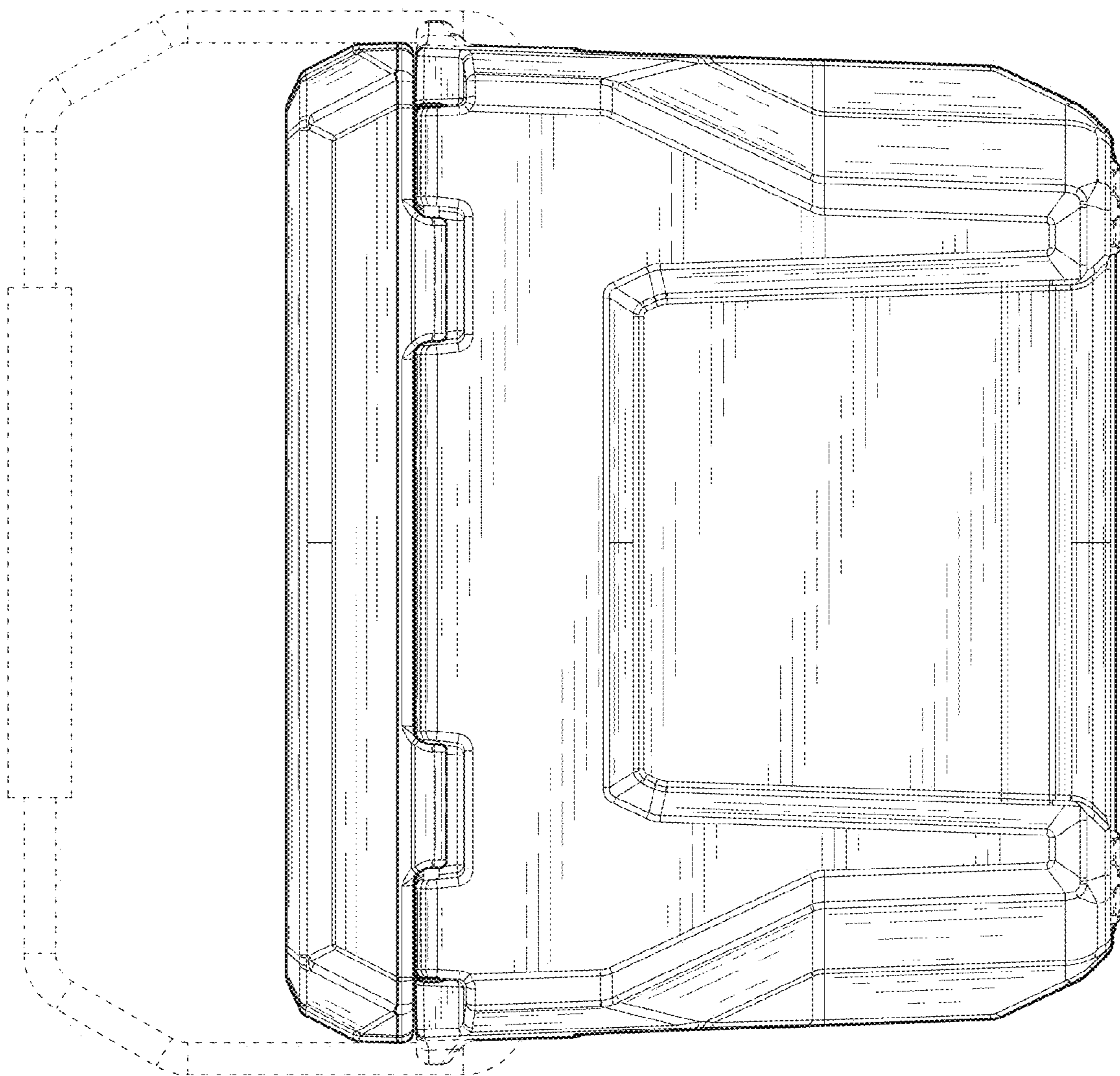


FIG. 12

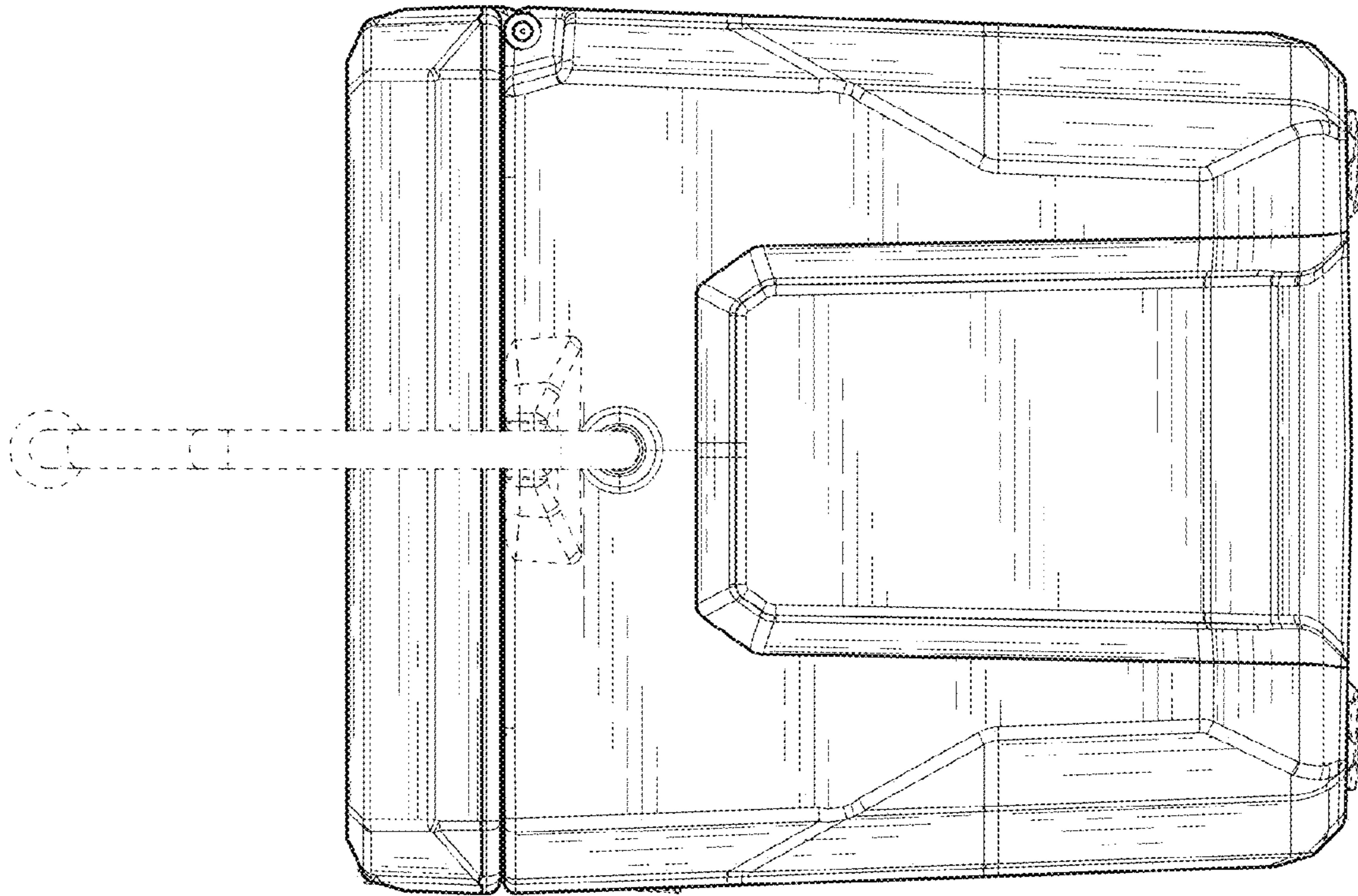


FIG. 14

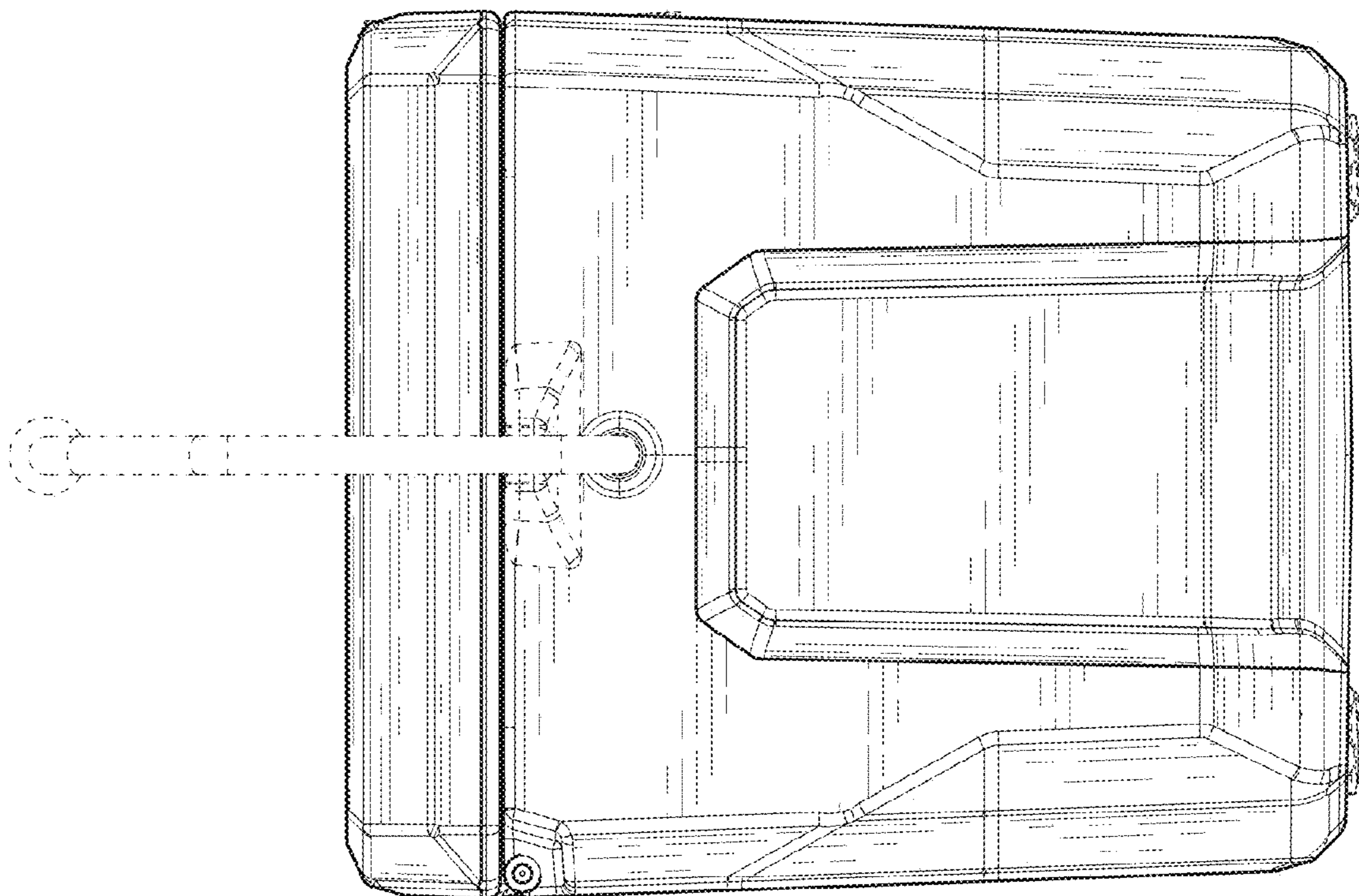


FIG. 13

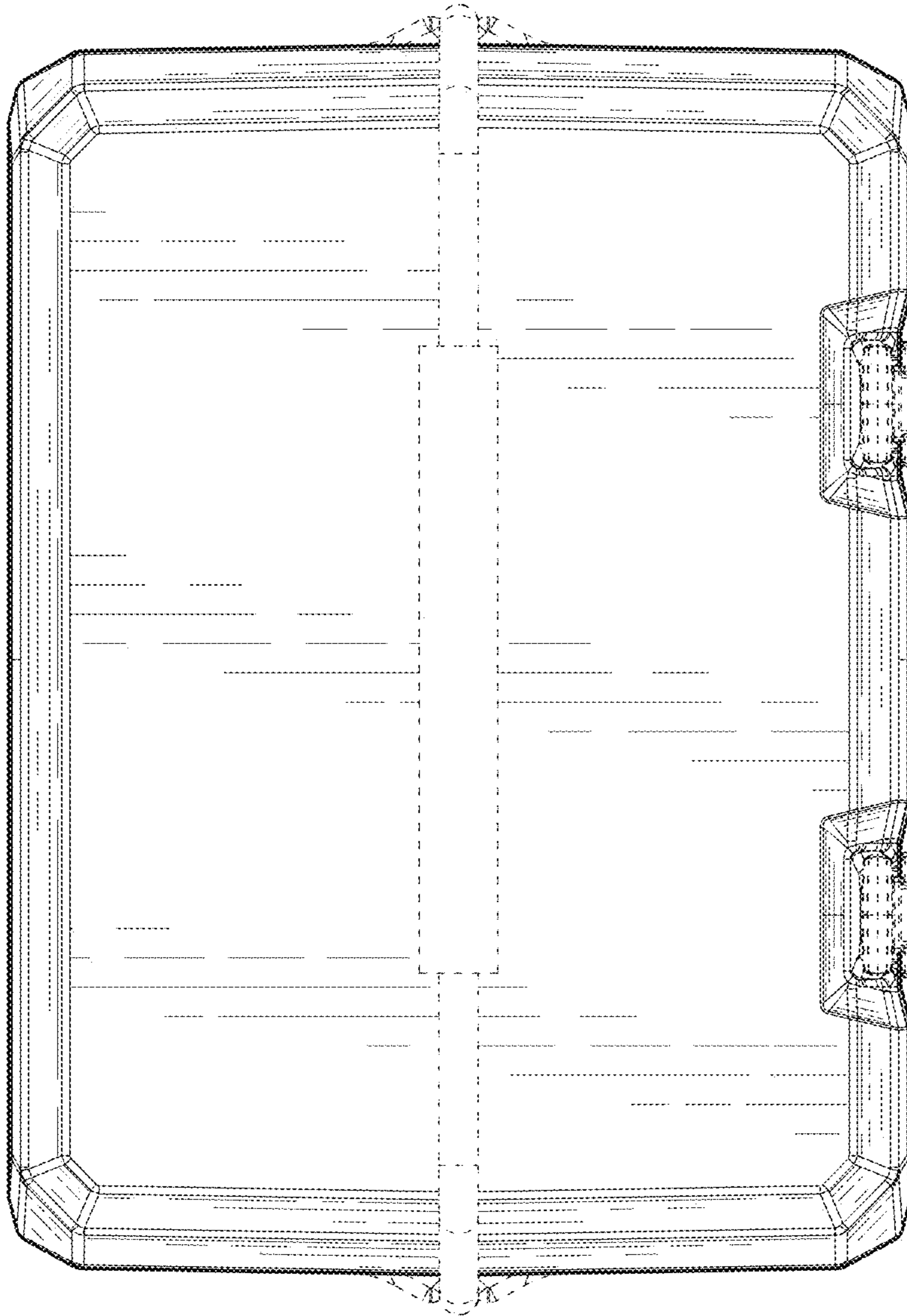


FIG. 15

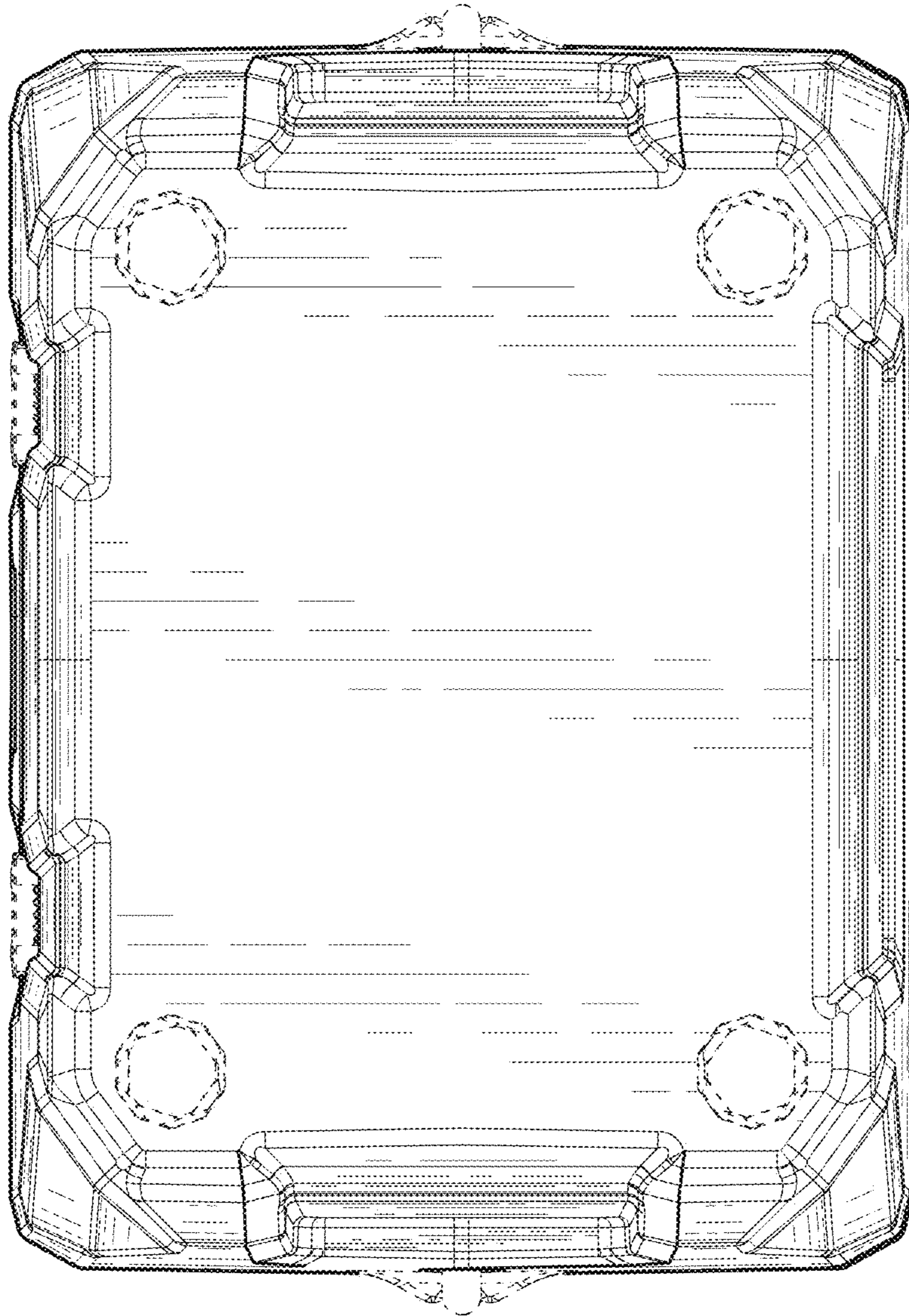


FIG. 16