



US00D962299S

(12) **United States Design Patent** (10) **Patent No.:** **US D962,299 S**
Lonati et al. (45) **Date of Patent:** **** Aug. 30, 2022**

(54) **TEXTILE MACHINE** 3,299,672 A * 1/1967 Schmidt D04B 1/025
66/9 R
(71) Applicant: **SANTONI S.P.A.**, Brescia (IT) 3,391,549 A * 7/1968 Fontaine D04B 15/74
66/1 R
(72) Inventors: **Ettore Lonati**, Botticino (IT); **Fausto Lonati**, Brescia (IT); **Andrea Lonati**, Brescia (IT) 3,590,599 A * 7/1971 Ricart D04B 15/00
66/8
(Continued)

FOREIGN PATENT DOCUMENTS

(73) Assignee: **SANTONI S.P.A.**, Brescia (IT)
(**) Term: **15 Years**
(21) Appl. No.: **29/716,848**
(22) Filed: **Dec. 12, 2019**
(30) **Foreign Application Priority Data**
Jun. 12, 2019 (EM) 006575379-0005
(51) **LOC (13) Cl.** **15-06**
(52) **U.S. Cl.**
USPC **D15/66; D15/72**
(58) **Field of Classification Search**
USPC D15/66-78; D8/300, 303, 315, 320;
28/154, 110, 109; 66/7-60 H
CPC D04B 9/06; D04B 15/66; D04B 15/68;
D03D 37/00; D03D 33/00
See application file for complete search history.

CN 304962794 * 12/2018
CN 305913212 * 7/2020

(Continued)

OTHER PUBLICATIONS

Matec Silver 2L Knitting machine for socks; URL: <https://www.exapro.com/matec-silver-2l-p00510027/> (available 2005; site visited Jul. 8, 2021) (Year: 2005).*

(Continued)

Primary Examiner — Jae Liang
Assistant Examiner — Tia Ruth-Renee Polidori
(74) *Attorney, Agent, or Firm* — MH2 Technology Law Group LLP

(57) **CLAIM**

The ornamental design for a textile machine, as shown and described.

DESCRIPTION

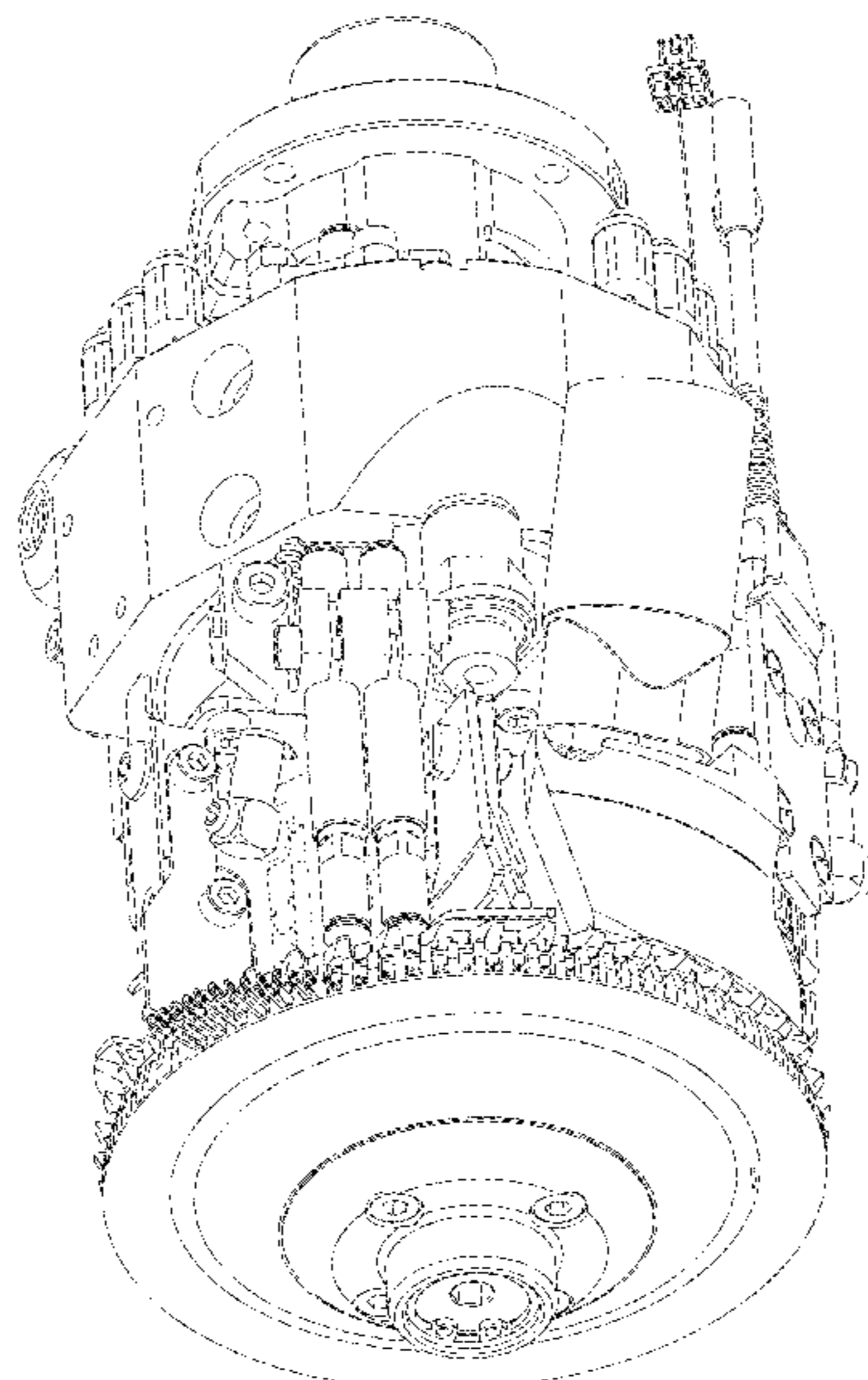
FIG. 1 is a perspective view of a textile machine; FIG. 2 is a top plan view thereof; FIG. 3 is a bottom plan view thereof; FIG. 4 is a front elevational view thereof; FIG. 5 is a rear elevational view thereof; FIG. 6 is a left-side elevational view thereof; and, FIG. 7 is a right-side elevational view thereof. The broken lines in the drawings depict portions of the textile machine that form no part of the claimed design.

1 Claim, 7 Drawing Sheets

(56) **References Cited**

U.S. PATENT DOCUMENTS

2,181,679 A * 11/1939 McAdams D04B 9/06
66/24
2,943,467 A * 7/1960 Thore D04B 9/06
66/15
3,084,527 A * 4/1963 Azzolari D04B 15/68
66/8
3,086,378 A * 4/1963 Azzolari F16D 41/12
66/237
3,228,211 A * 1/1966 Thore D04B 9/06
66/15



(56)

References Cited

U.S. PATENT DOCUMENTS

3,757,537 A * 9/1973 York D04B 9/12
66/9 R
3,975,925 A * 8/1976 Piro D04B 9/38
66/224
D246,244 S * 11/1977 Current D15/66
4,151,729 A * 5/1979 Micheletti D04B 15/74
66/216
D267,010 S * 11/1982 Jacobsson
5,613,375 A * 3/1997 Renda D04B 9/22
66/19
6,089,045 A * 7/2000 Apollonio D04B 9/38
66/13
6,237,371 B1 * 5/2001 Hsieh D04B 15/32
66/17
D771,153 S * 11/2016 Lonati D15/66
D771,154 S * 11/2016 Lonati D15/78
2004/0261462 A1 * 12/2004 Houston D04B 1/26
66/8
2006/0144095 A1 * 7/2006 Frullini D04B 15/02
66/8

2010/0192637 A1* 8/2010 Lonati D04B 15/88
66/19
2012/0103024 A1* 5/2012 Lonati D04B 15/68
66/57
2013/0269394 A1* 10/2013 Lonati D04B 15/68
66/24
2016/0258087 A1* 9/2016 Lonati D04B 15/94
2017/0268140 A1* 9/2017 Lonati D04B 15/88
2017/0321356 A1* 11/2017 Wan D04B 9/42

FOREIGN PATENT DOCUMENTS

EM 006575379-0005 * 6/2019
GB 9006575379-0005 * 6/2019

OTHER PUBLICATIONS

Used Lonati 842 Knitting machine for socks/tights; URL: <https://www.exapro.com/lonati-842-p61209116/> (available 2001; site visited Jul. 8, 2021) (Year: 2001).*

* cited by examiner

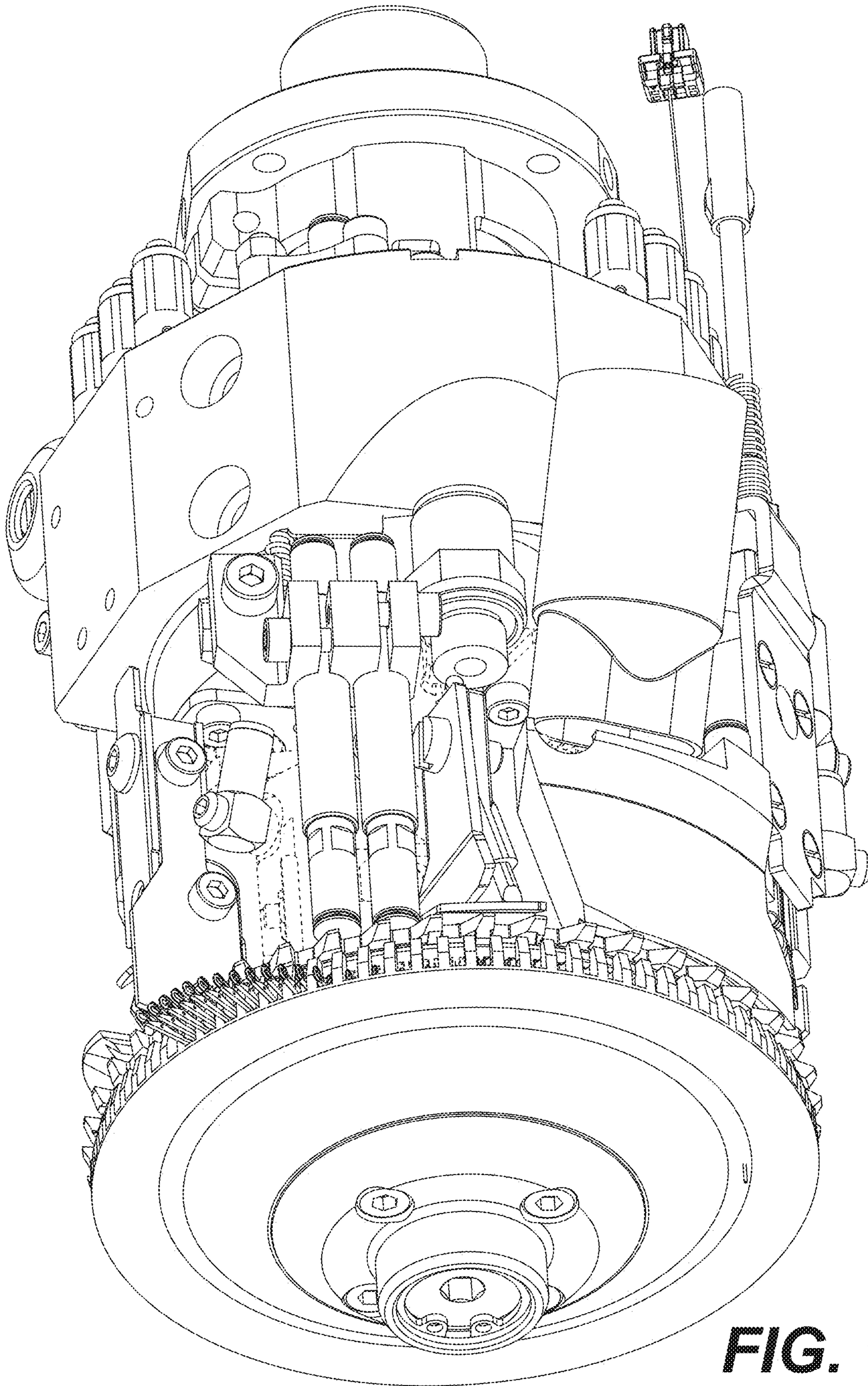


FIG. 1

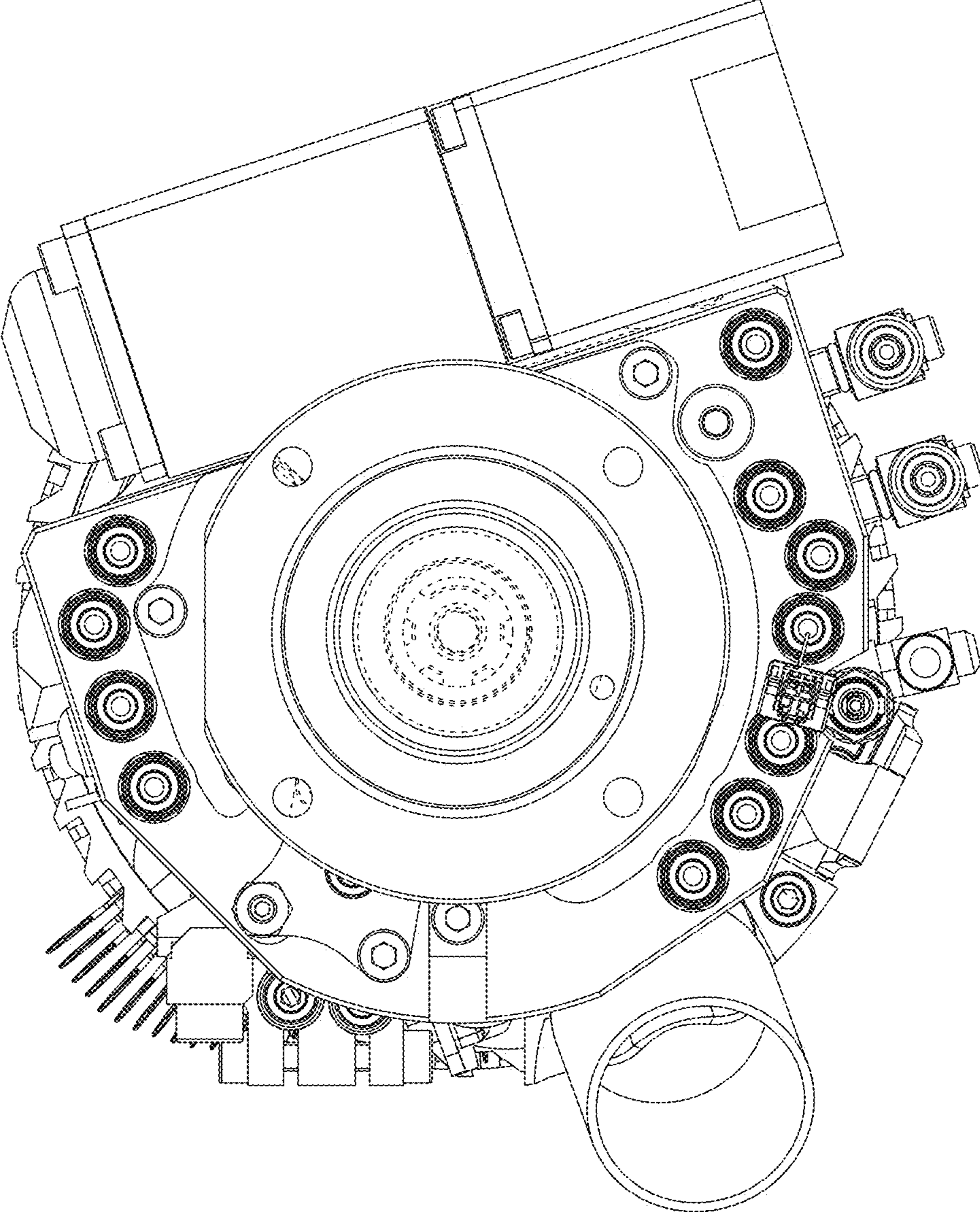


FIG. 2

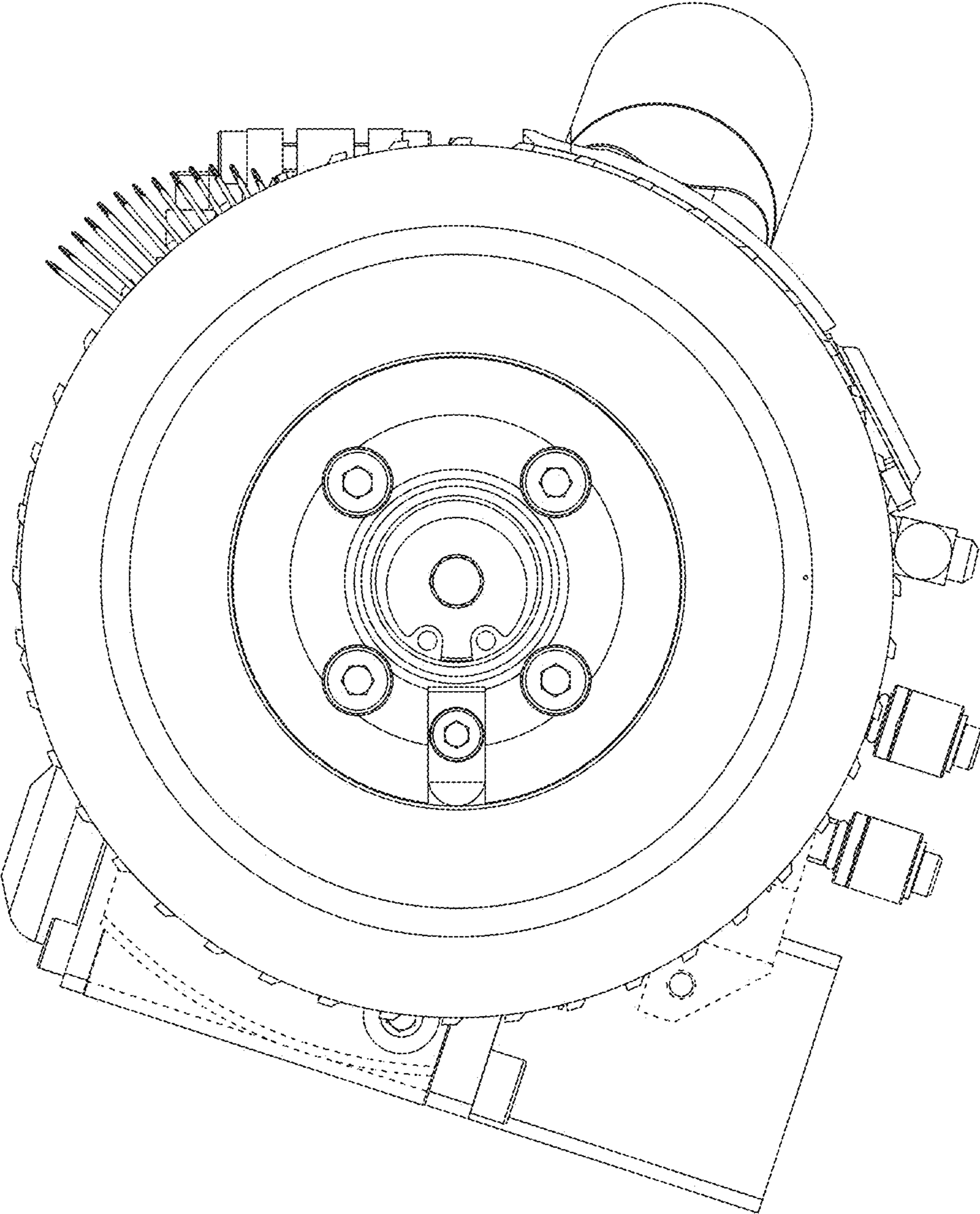


FIG. 3

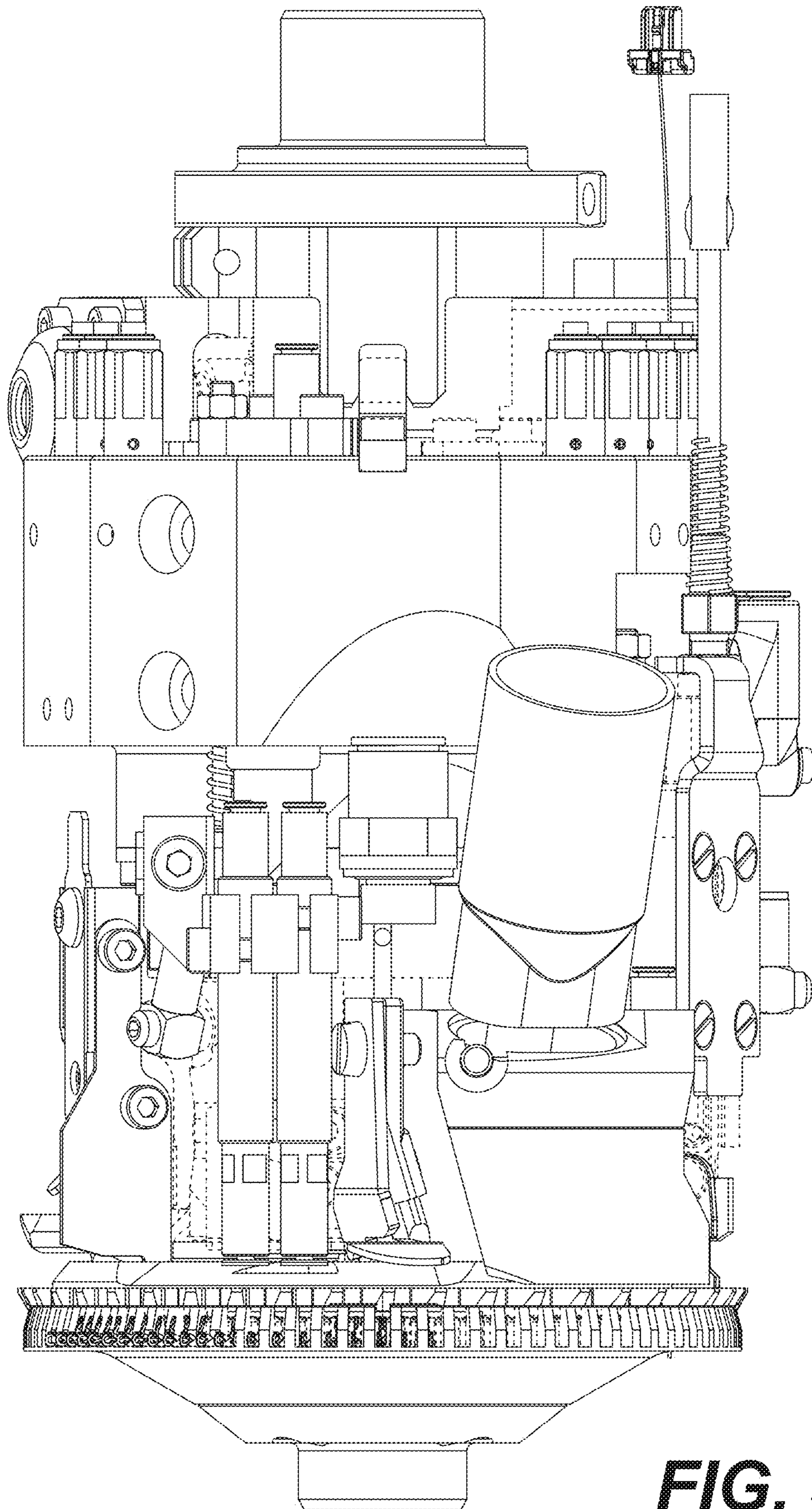


FIG. 4

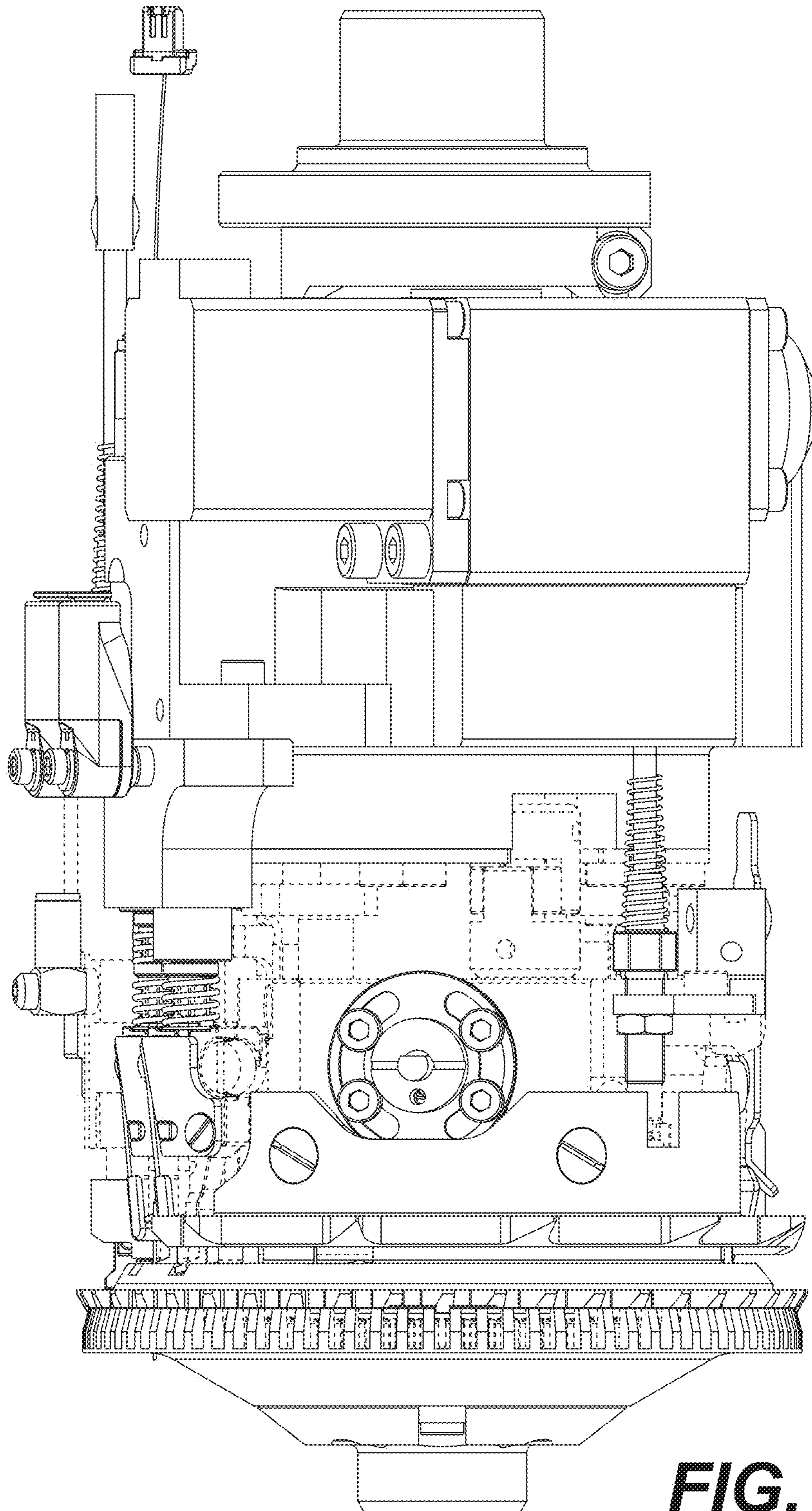


FIG. 5

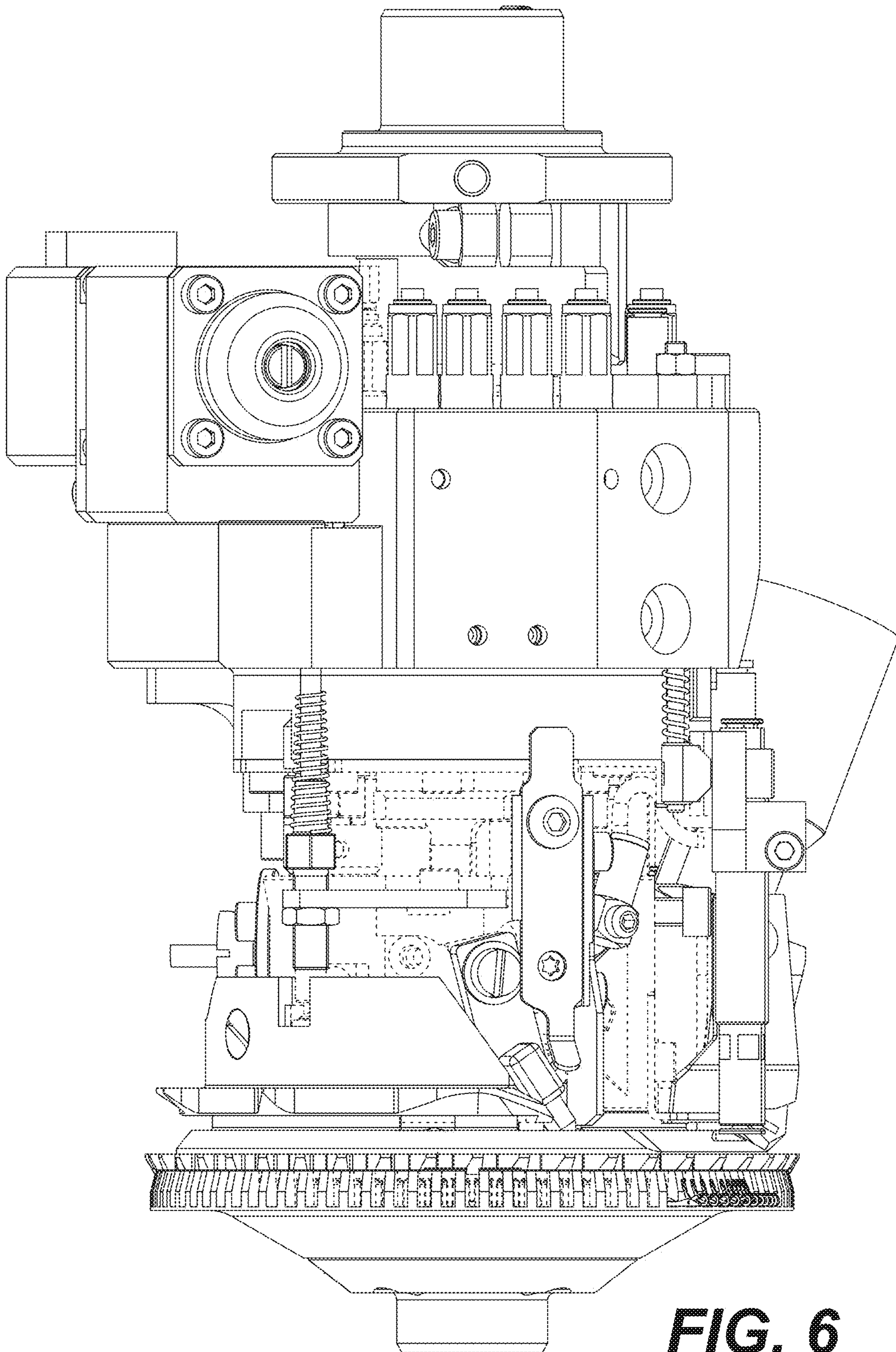


FIG. 6

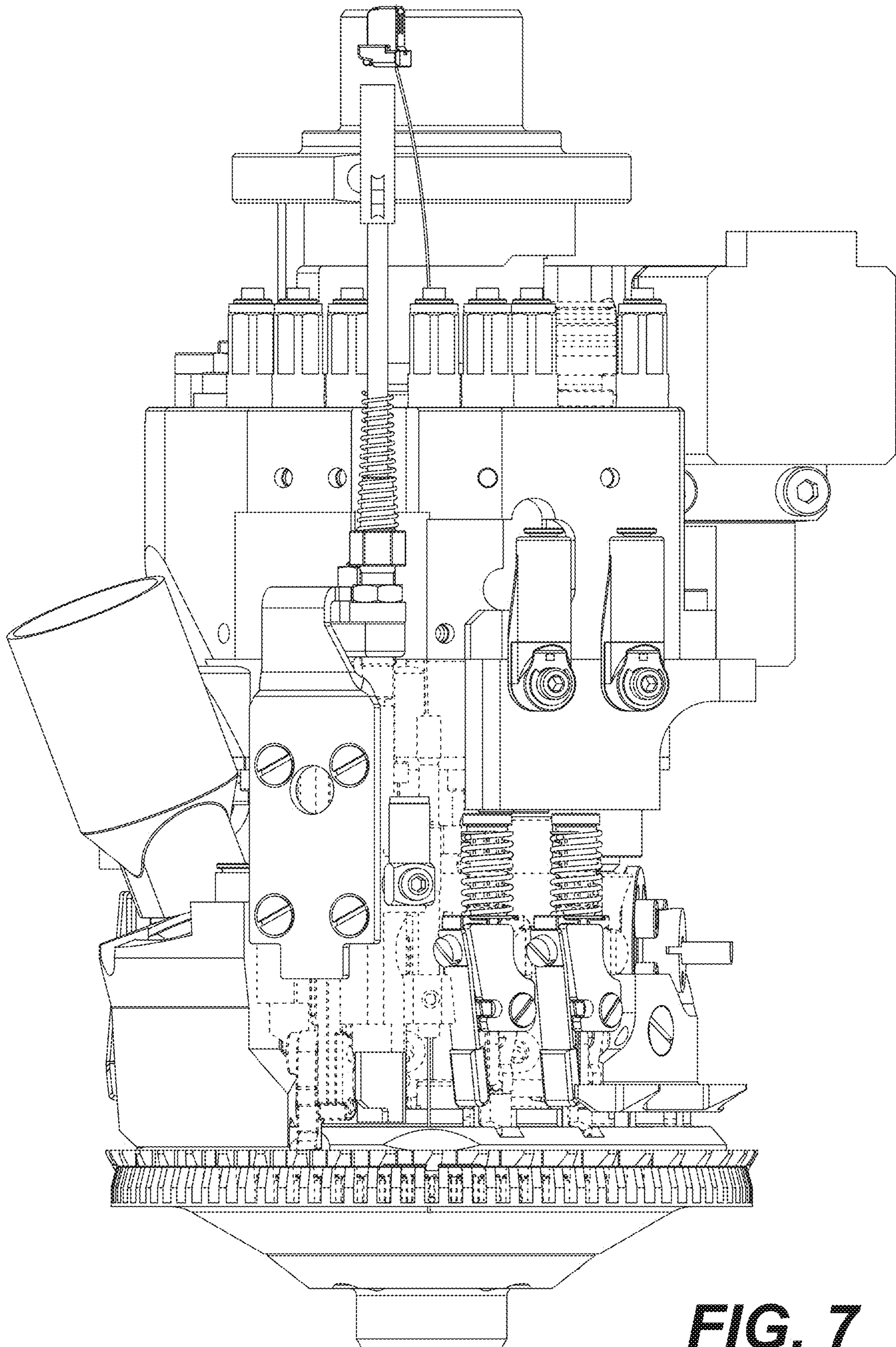


FIG. 7