



US00D962298S

(12) **United States Design Patent** (10) **Patent No.:** **US D962,298 S**  
**Sivinski et al.** (45) **Date of Patent:** **\*\* Aug. 30, 2022**

(54) **DOCKING STATION FOR AN AGRICULTURAL TOOL BAR ACCESSORY**

(71) Applicant: **Harvest International, Inc.**, Storm Lake, IA (US)

(72) Inventors: **Jeffrey Alan Sivinski**, Cherokee, IA (US); **Byron James Friesen**, Storm Lake, IA (US); **Garry D. Friesen**, Storm Lake, IA (US)

(73) Assignee: **Harvest International, Inc.**, Storm Lake, IA (US)

(\*\*) Term: **15 Years**

(21) Appl. No.: **29/789,043**

(22) Filed: **Aug. 26, 2021**

**Related U.S. Application Data**

(63) Continuation of application No. 16/352,179, filed on Mar. 13, 2019, now Pat. No. 11,185,008.

(51) **LOC (13) Cl.** ..... **15-03**

(52) **U.S. Cl.**  
USPC ..... **D15/28**

(58) **Field of Classification Search**  
USPC ..... D15/13, 21, 28

(Continued)

(56) **References Cited**

**U.S. PATENT DOCUMENTS**

4,204,794 A \* 5/1980 Aoshiba ..... E02F 3/3618  
414/723

D272,069 S 1/1984 Larsson  
(Continued)

**FOREIGN PATENT DOCUMENTS**

AU 2009100124 A4 3/2009  
CA 2927668 A1 12/2016

(Continued)

**OTHER PUBLICATIONS**

Dawn Floating Trashwheels™ Row Cleaners, [http://www.dawnequipment.com/Floating\\_Trashwheels.html](http://www.dawnequipment.com/Floating_Trashwheels.html), pp. 1-11, Nov. 8, 2021.

(Continued)

*Primary Examiner* — Mark A Goodwin  
(74) *Attorney, Agent, or Firm* — McKee, Voorhees & Sease, PLC

(57) **CLAIM**

We claim the ornamental design for a docking station for an agricultural tool bar accessory, substantially as shown and described.

**DESCRIPTION**

FIG. 1 is a perspective view of the docking station for an agricultural tool bar accessory, according to the present invention.

FIG. 2 is a right side elevation view of the docking station shown in FIG. 1.

FIG. 3 is a left side elevation view of the docking station shown in FIG. 1.

FIG. 4 is a front elevation view of the docking station shown in FIG. 1.

FIG. 5 is a rear elevation view of the docking station shown in FIG. 1.

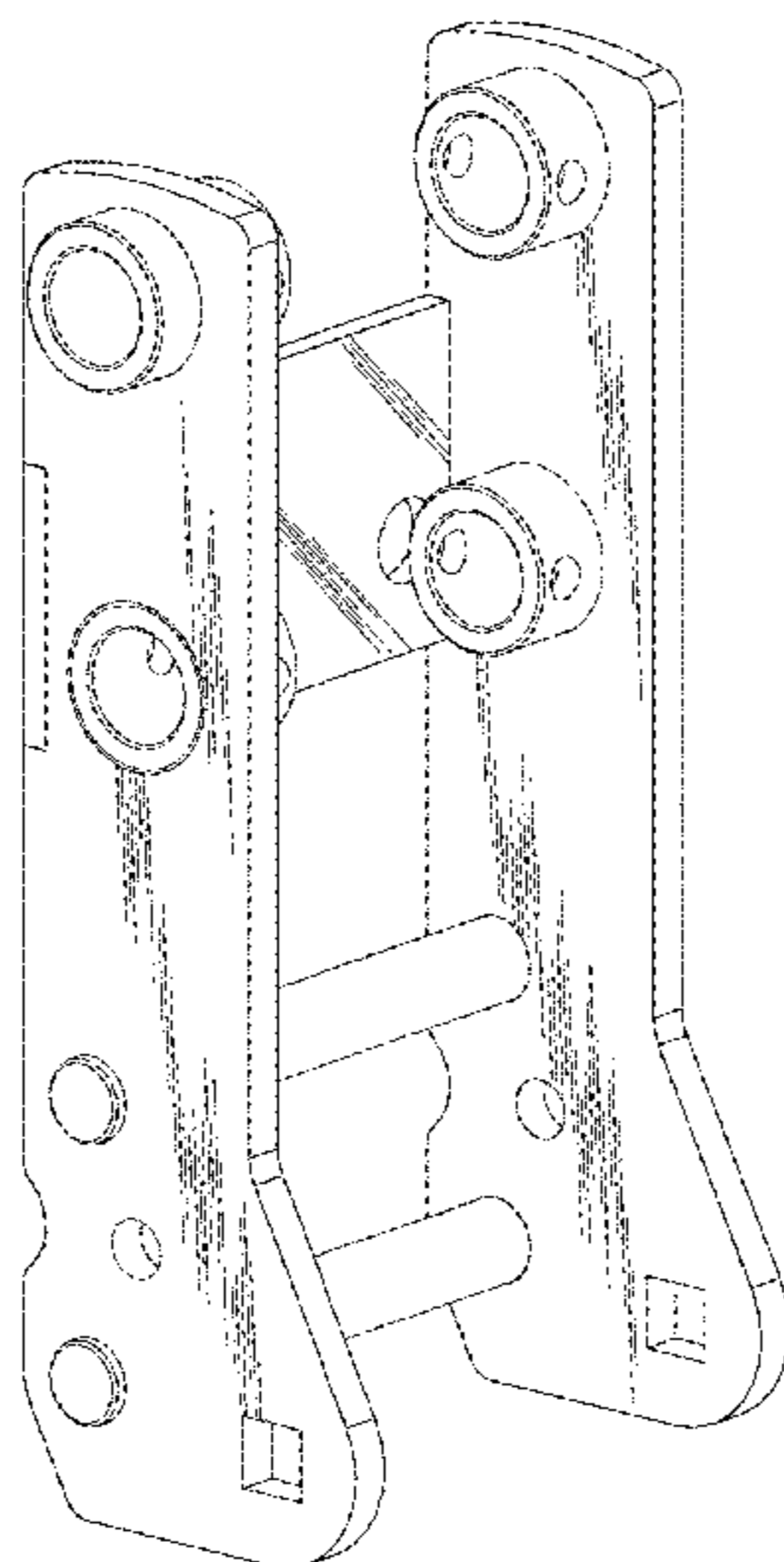
FIG. 6 is a top plan view of the docking station shown in FIG. 1.

FIG. 7 is a bottom plan view of the docking station shown in FIG. 1; and,

FIG. 8 is a perspective view of the docking station shown in FIG. 1, as utilized on an agricultural tool bar.

Figures show the docking station with structure shown in broken lines that are not a part of the claimed invention.

**1 Claim, 8 Drawing Sheets**



(58) **Field of Classification Search**

CPC ..... A01B 73/06; A01B 73/067; A01B 73/044;  
 A01B 73/00; A01B 73/02; A01B 73/04;  
 A01B 15/12; A01B 15/16; A01C 5/064;  
 A01C 7/006; A01C 7/201; A01C 7/203;  
 A01C 13/00; A01C 15/00

See application file for complete search history.

D840,282	S	2/2019	Coste
D850,887	S	6/2019	Solow
D868,845	S	12/2019	Sonerud
10,555,452	B2	2/2020	Martin et al.
D915,472	S *	4/2021	King ..... D15/28
11,185,008	B2 *	11/2021	Sivinski ..... A01B 15/16
2011/0155031	A1	6/2011	Arnett et al.
2014/0262377	A1	9/2014	Winick et al.
2016/0150714	A1	6/2016	Unruh
2017/0258002	A1	9/2017	Sivinski
2019/0281756	A1	9/2019	Sivinski

(56) **References Cited**

U.S. PATENT DOCUMENTS

D272,070	S	1/1984	Larsson	
D272,250	S	1/1984	Larsson	
4,796,550	A	1/1989	Van Natta et al.	
5,341,754	A	8/1994	Winterton	
5,497,716	A	3/1996	Shoup	
6,070,673	A	6/2000	Wendte	
D440,983	S	4/2001	Miller et al.	
6,253,692	B1	7/2001	Wendling et al.	
D455,762	S	4/2002	Kaczmariski et al.	
D458,942	S *	6/2002	Balemi .....	D15/28
D620,502	S *	7/2010	Ballinger .....	D15/28
D638,037	S *	5/2011	Miller .....	D15/28
D645,061	S	9/2011	Plummer	
D686,642	S *	7/2013	Urase .....	D15/28
D709,529	S	7/2014	Hutchinson et al.	
9,232,687	B2	1/2016	Bassett	
D782,545	S	3/2017	Forth	
9,743,572	B2	8/2017	Martin	
D824,430	S	7/2018	Sivinski et al.	

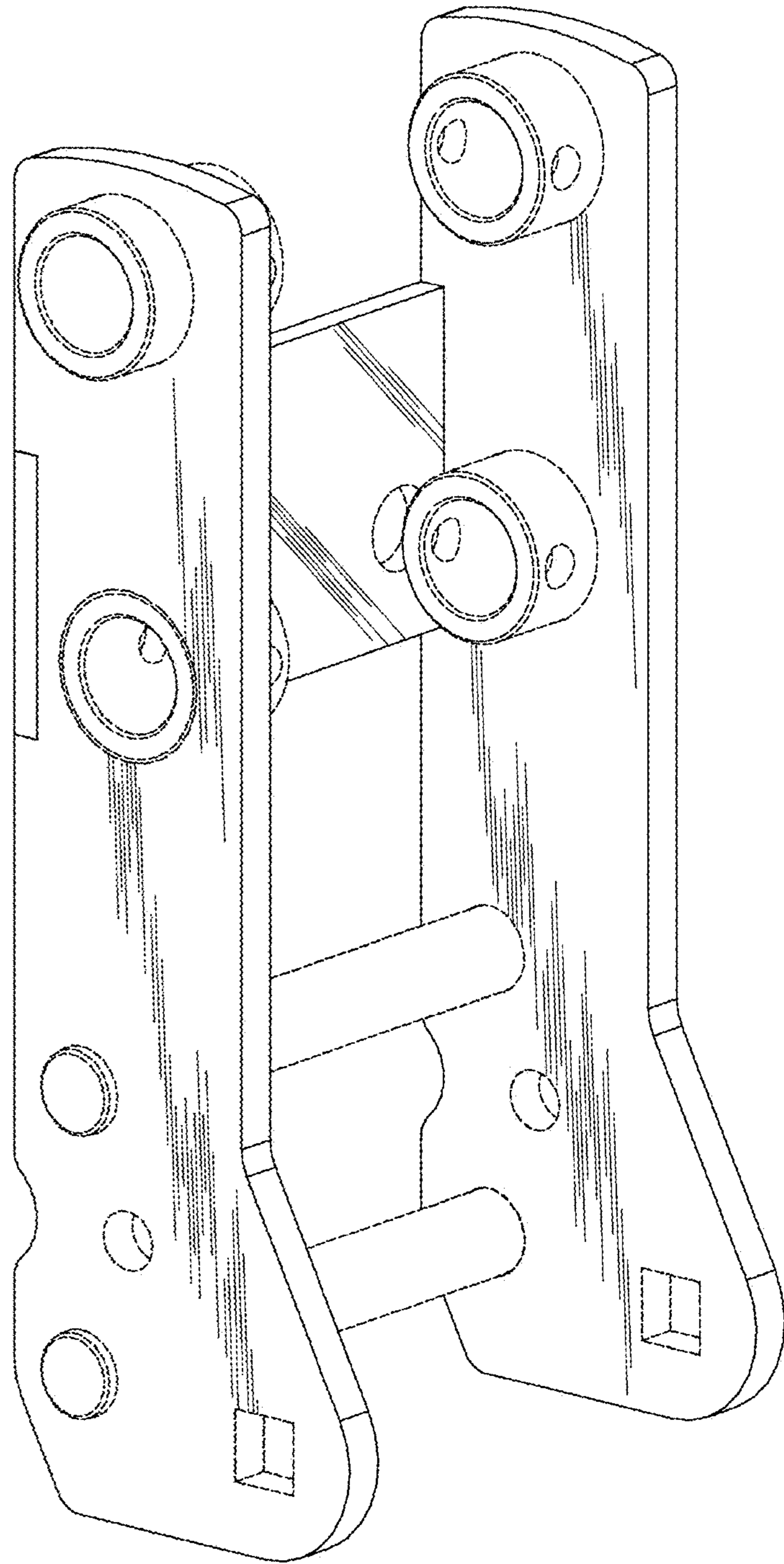
FOREIGN PATENT DOCUMENTS

DE	1967917	U	9/1967
DE	19748837	A1	5/1999
EP	3228170	A1	10/2017
WO	2009149473	A2	12/2009
WO	2010003142	A2	1/2010

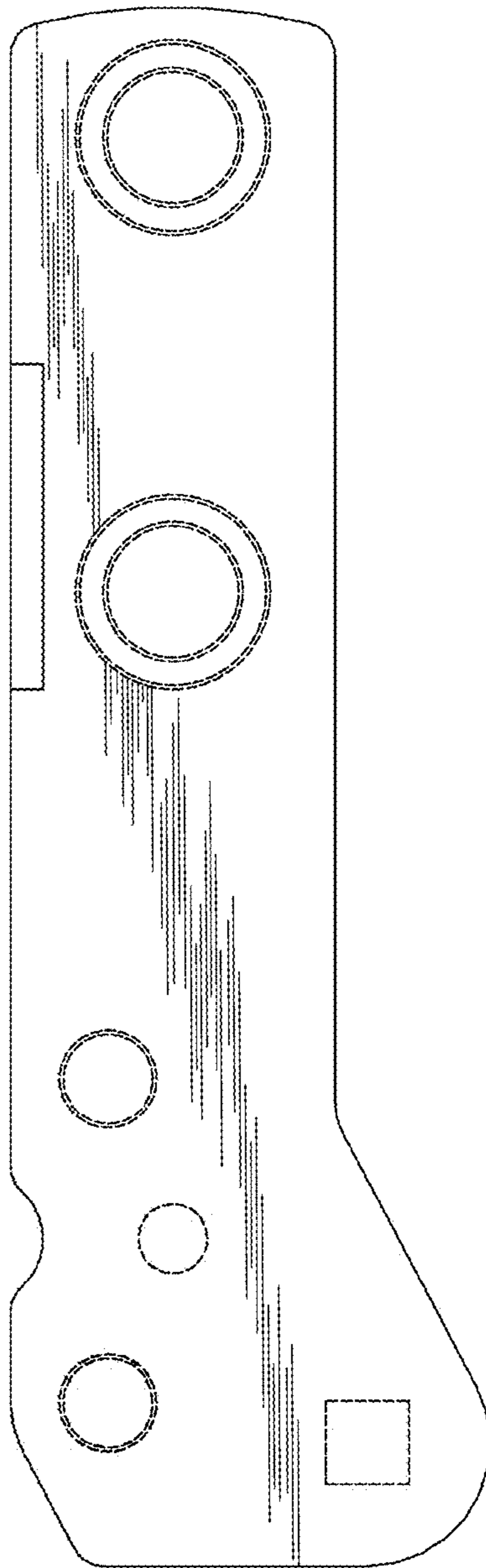
OTHER PUBLICATIONS

Martin-Till, "ACCR Compact Floating Row Cleaner", Brochure, 1 page, 2021.  
 Yetter Farm Equipment, "2940-010 Air Adjust™ Coulter/Row Cleaner Combo", <https://www.yetterco.com/products/27-plantermount-row-cleaner-combos/298-2940010-air-adjust-coulterrow-cleaner-combo>, pp. 1-4, Nov. 8, 2021.

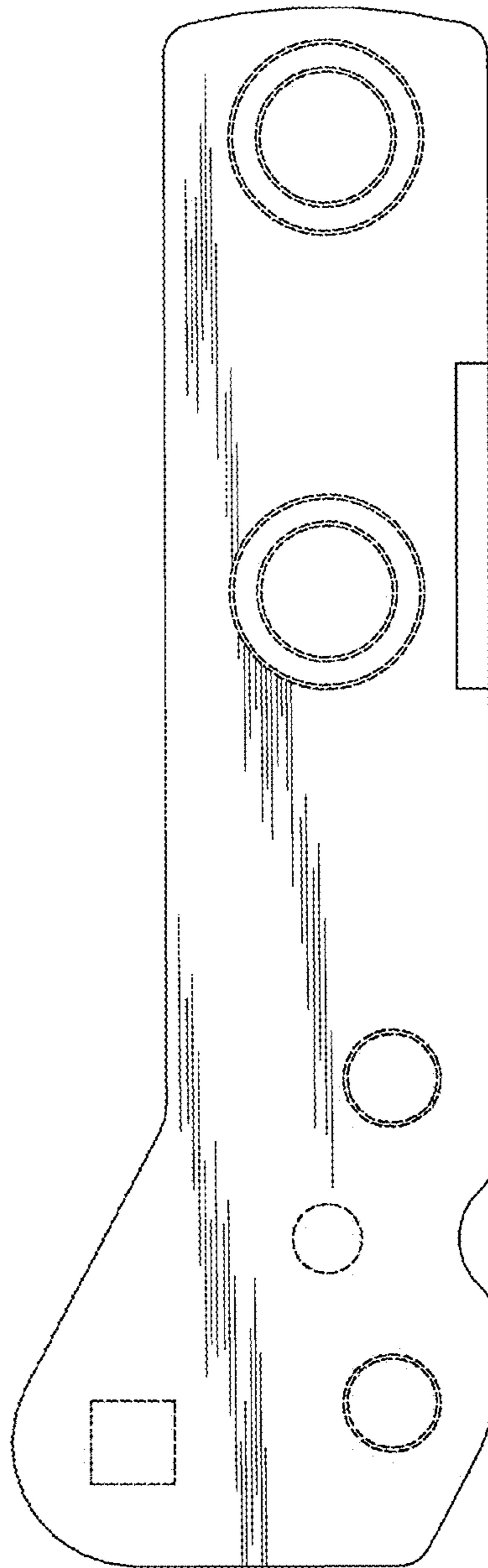
\* cited by examiner



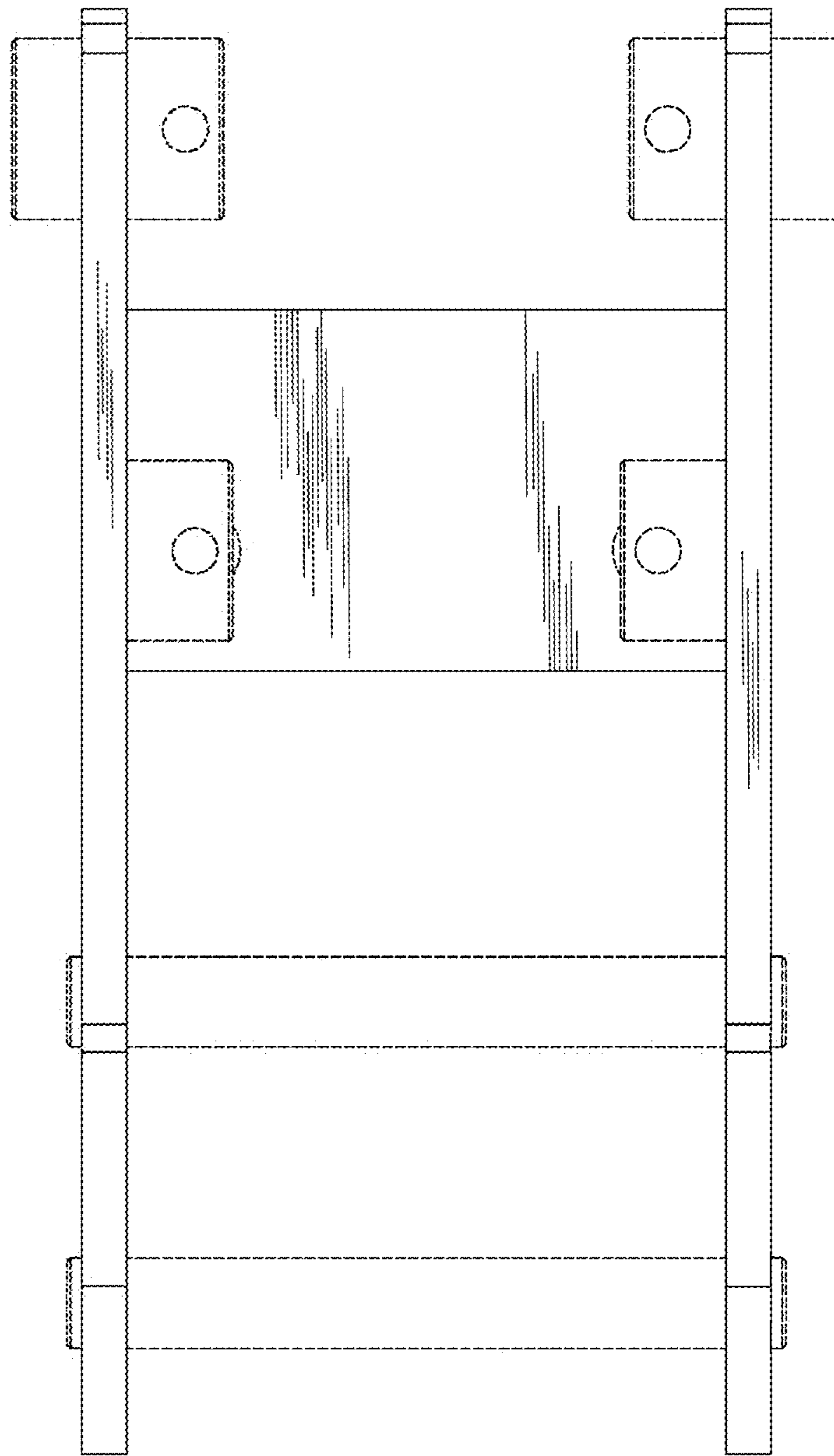
*Fig. 1*



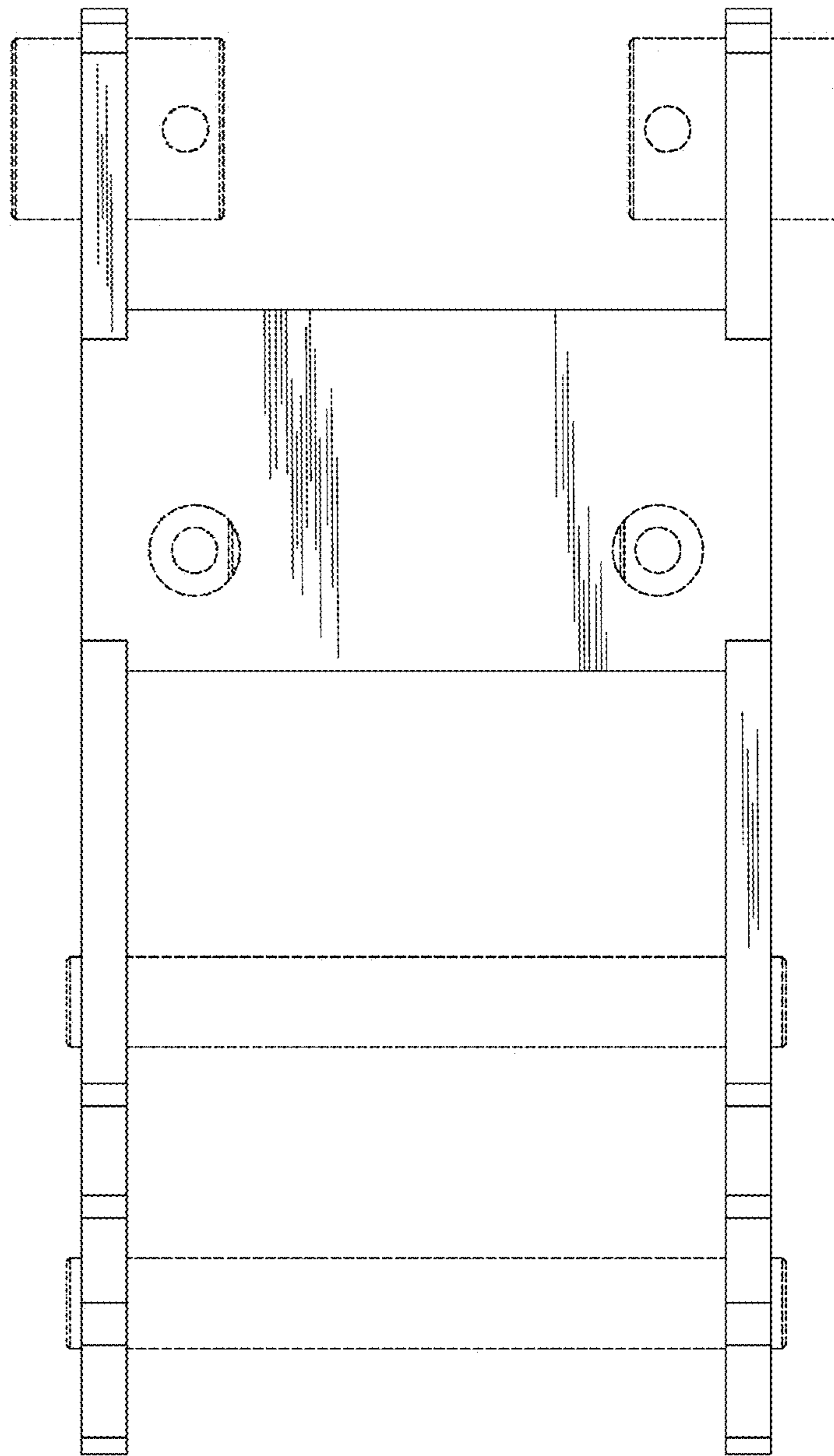
*Fig. 2*



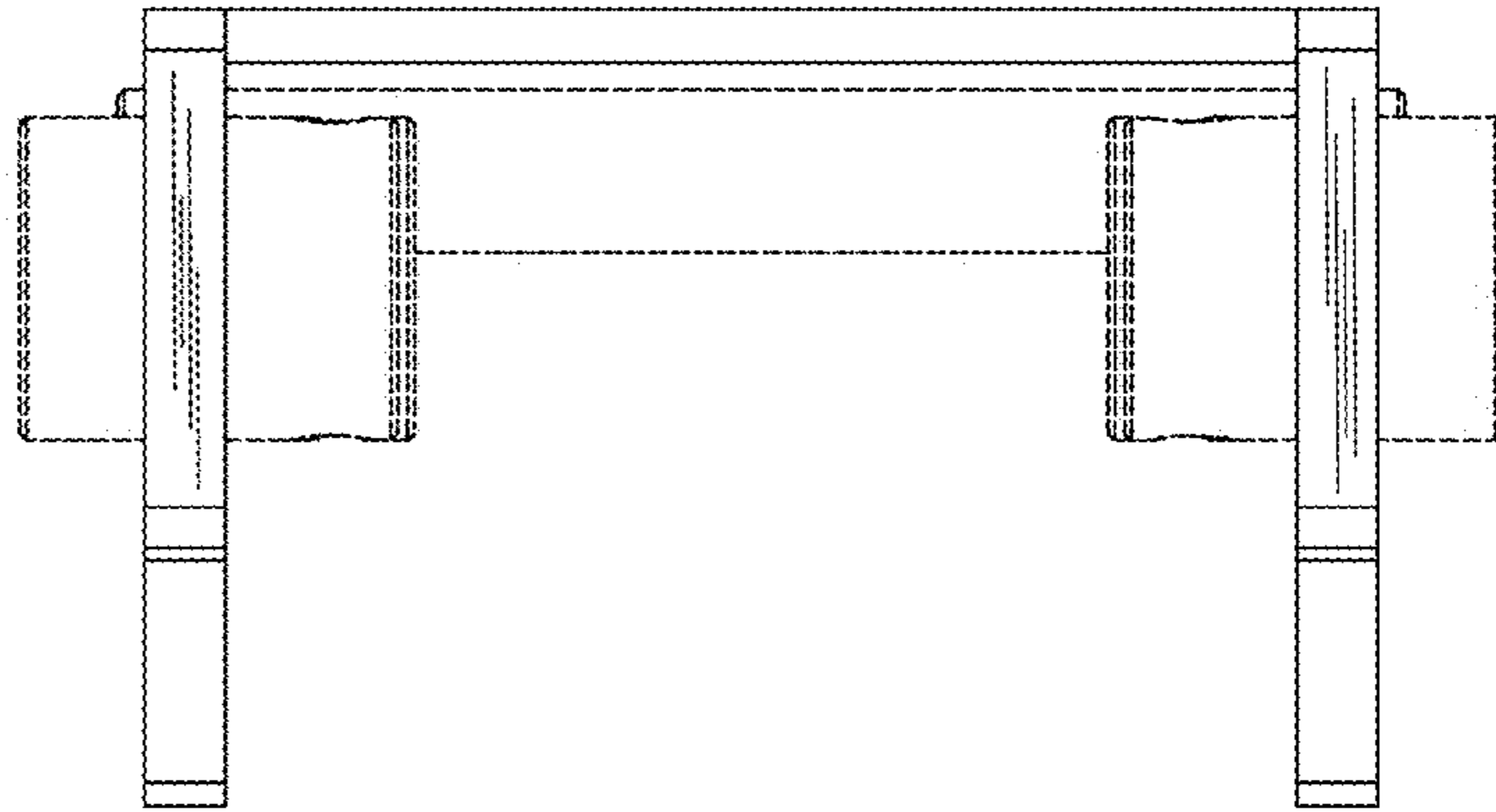
*Fig. 3*



*Fig. 4*

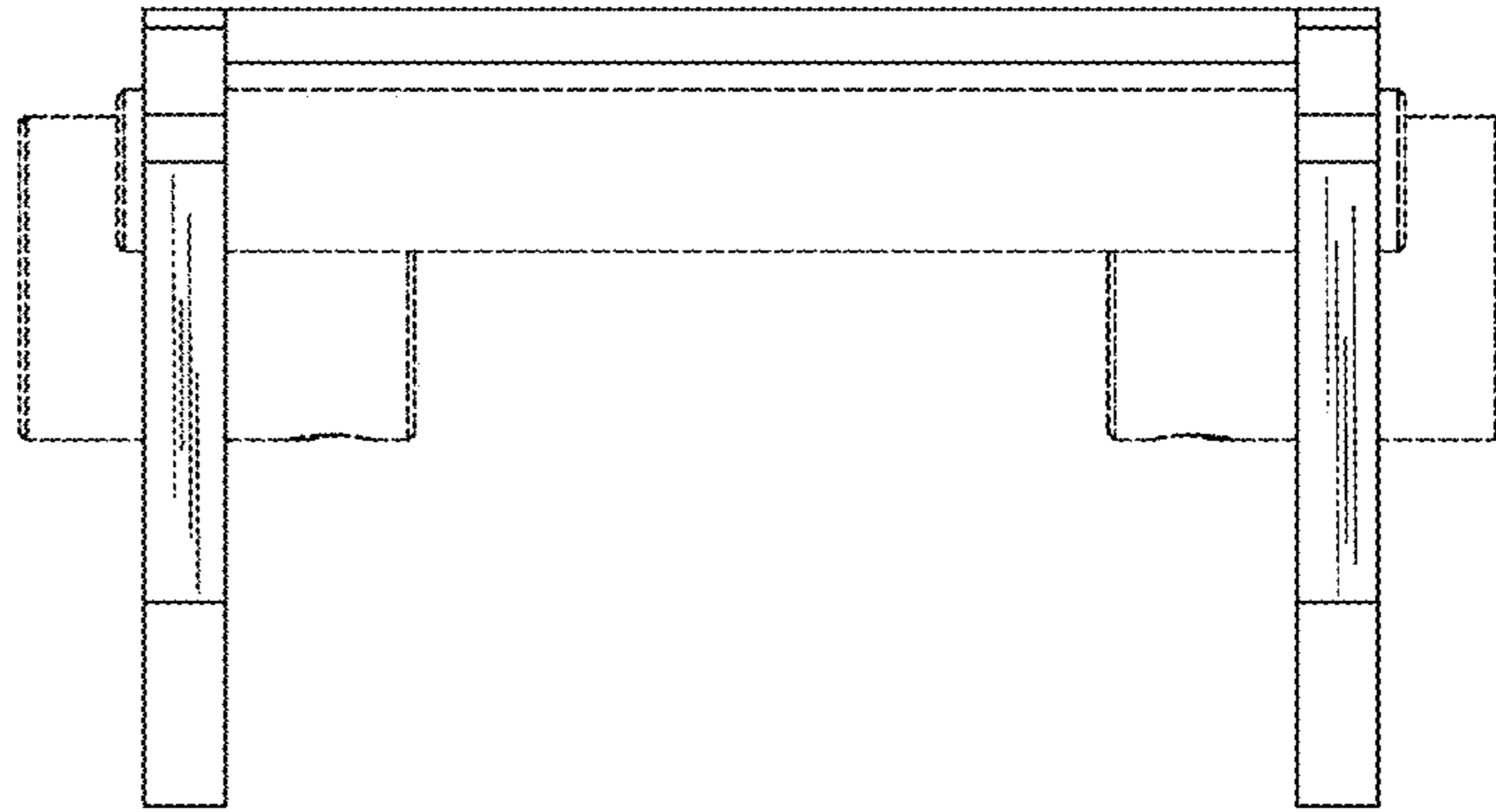


*Fig. 5*

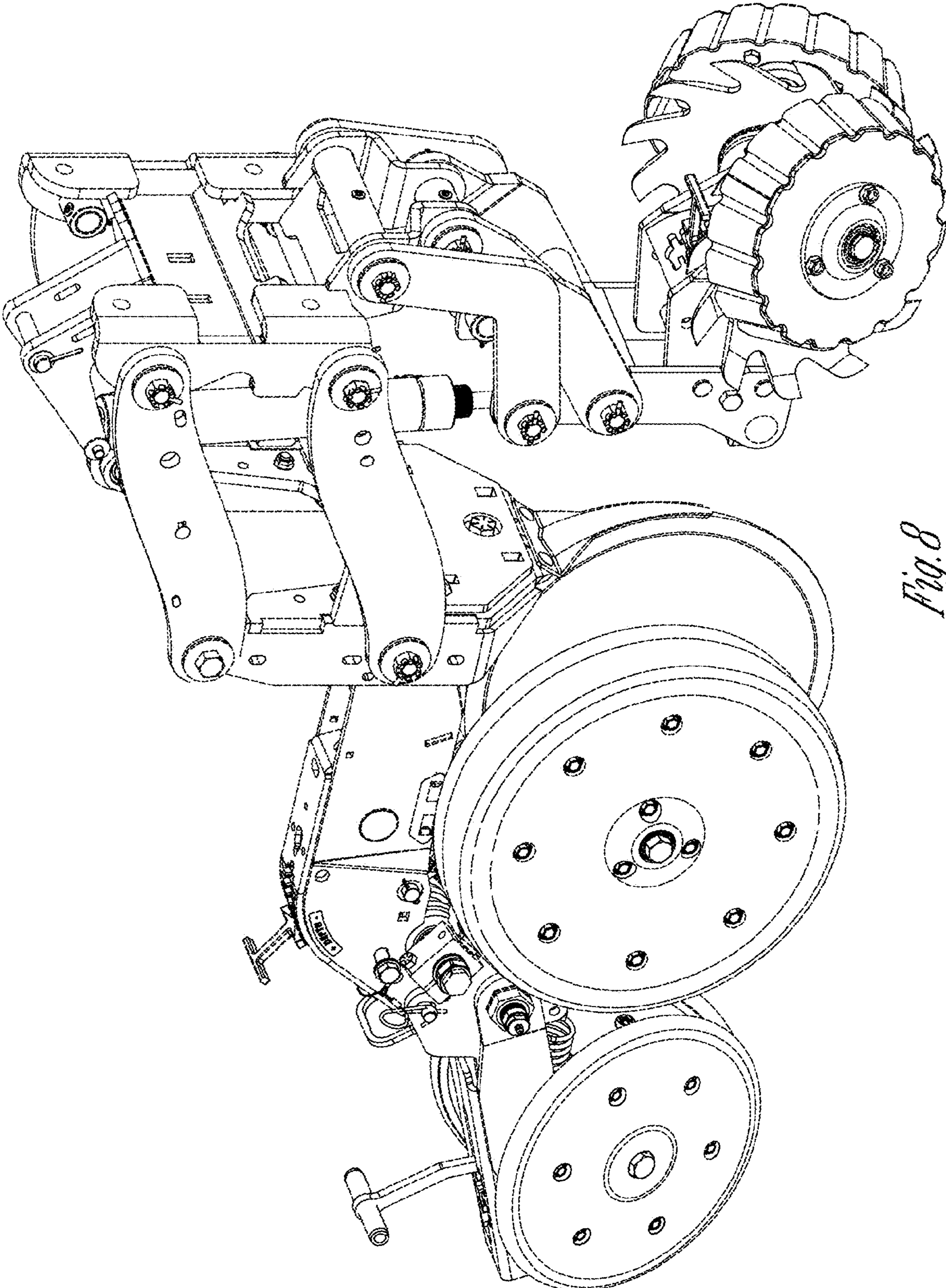


*Fig. 6*





*Fig. 7*



*Fig. 8*