



US00D962294S

(12) **United States Design Patent**
Houguchi

(10) **Patent No.:** **US D962,294 S**

(45) **Date of Patent:** **** Aug. 30, 2022**

(54) **AIR PUMP**

(71) Applicant: **NITTO KOHKI CO., LTD.**, Tokyo
(JP)

(72) Inventor: **Kousei Houguchi**, Tokyo (JP)

(73) Assignee: **NITTO KOHKI CO., LTD.**, Tokyo
(JP)

(**) Term: **15 Years**

(21) Appl. No.: **29/771,772**

(22) Filed: **Feb. 25, 2021**

(30) **Foreign Application Priority Data**

Sep. 11, 2020 (JP) 2020-019441

(51) **LOC (13) Cl.** **15-02**

(52) **U.S. Cl.**
USPC **D15/7**

(58) **Field of Classification Search**
USPC D23/225, 231, 232, 366, 356; D9/689,
D9/529; D12/114; D15/7-9
CPC F04B 53/14; F04B 53/92; F04B 33/00;
F04B 33/005; F04B 1/005; F04B 39/102;
F04D 13/06; F04D 29/22; F04D 29/046;
F04D 29/2266; F16K 11/048; F16K
15/20; F16K 31/602; F16L 37/18; F16L
37/20

See application file for complete search history.

(56) **References Cited**

U.S. PATENT DOCUMENTS

D247,436 S * 3/1978 Willinger D15/8
D306,447 S * 3/1990 Whitley, II D15/7
D306,449 S * 3/1990 Shannon D15/8
D309,497 S * 7/1990 Kearnes D23/366
D322,849 S * 12/1991 Williams D23/366
D359,962 S * 7/1995 Neshat D15/8
D407,477 S * 3/1999 Chen D23/366

D426,243 S * 6/2000 Wang D15/8
D426,554 S * 6/2000 Wang D15/8
D428,422 S * 7/2000 Wang D15/8
D436,361 S * 1/2001 Yu-Chin D15/8
D436,362 S * 1/2001 Yu-Chin D15/8
D582,536 S * 12/2008 Nestor D23/366
D589,533 S * 3/2009 Anderson D15/8
D598,472 S * 8/2009 Anderson D15/7
D632,377 S * 2/2011 Blachford D23/366
D701,536 S * 3/2014 Shakal D15/7
D721,427 S * 1/2015 Sun Ting Kung D23/366
D829,318 S * 9/2018 Wu D23/366

(Continued)

FOREIGN PATENT DOCUMENTS

JP D1623209 1/2019

OTHER PUBLICATIONS

Blue Diamond, ETA 80 Septic or Pond Linear Diaphragm Air Pump with built in Alarm, (first available Apr. 15, 2014), Amazon.com, URL:<<https://www.amazon.com/dp/B00JPNWLSM>> (Year: 2014).*

Primary Examiner — Calvin E Vansant
Assistant Examiner — Mark T. Philipps
(74) *Attorney, Agent, or Firm* — Burriss Law, PLLC

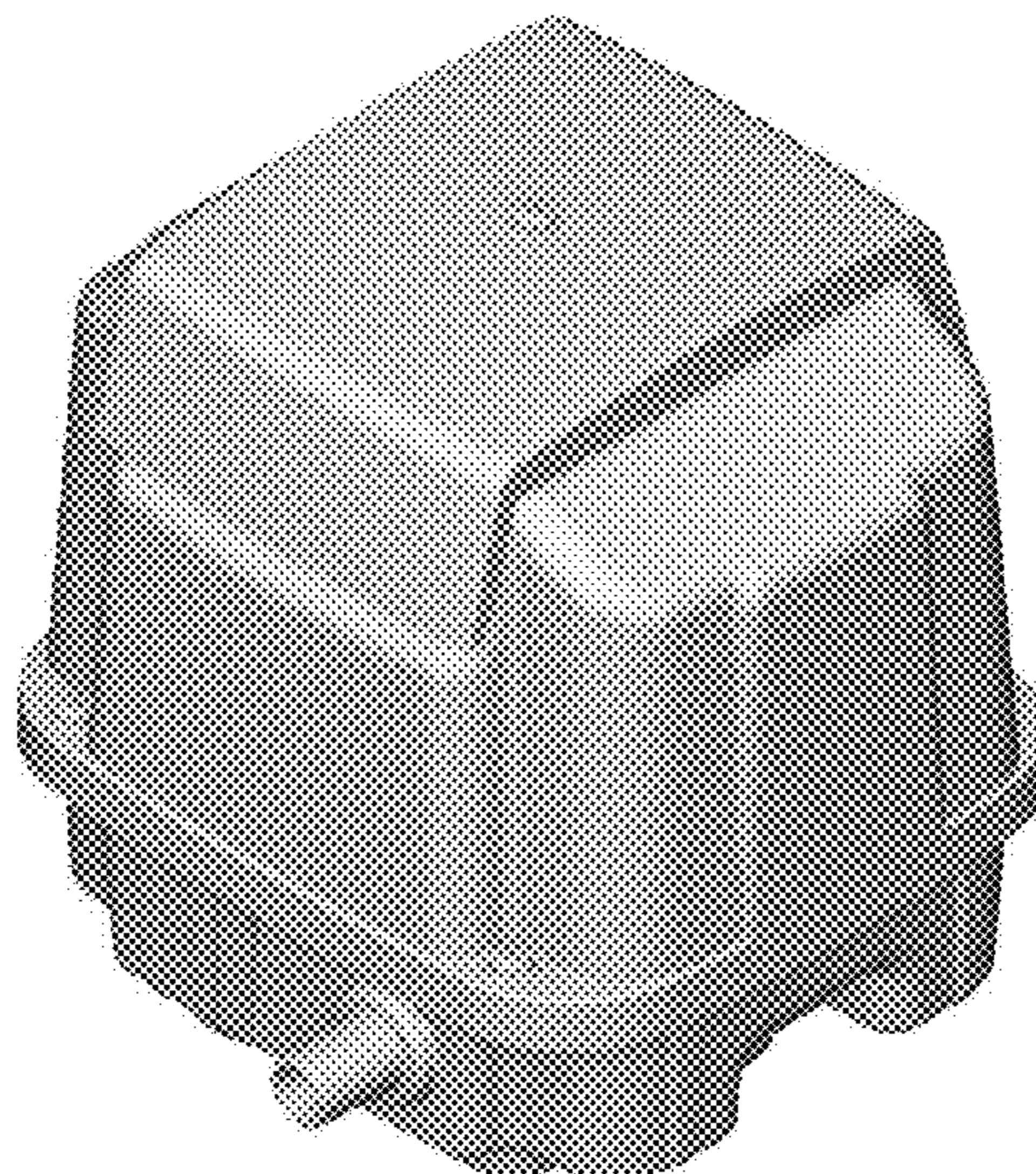
(57) **CLAIM**

The ornamental design for an air pump, as shown and described.

DESCRIPTION

FIG. 1 is a perspective view of the air pump;
FIG. 2 is a front view thereof;
FIG. 3 is a rear view thereof;
FIG. 4 is a top view thereof;
FIG. 5 is a bottom view thereof;
FIG. 6 is a left side view thereof; and,
FIG. 7 is a right side view thereof.
Light and shade expressed on the surface in each view are for specifying the shape of the surface.

1 Claim, 7 Drawing Sheets



(56)

References Cited

U.S. PATENT DOCUMENTS

D839,923	S	*	2/2019	Hariri	D15/8
D878,423	S	*	3/2020	Andersson	D15/7
D886,159	S	*	6/2020	Houguchi	D15/8
D918,962	S	*	5/2021	Houguchi	D15/7
2020/0318771	A1	*	10/2020	Houguchi	F04B 39/0061

* cited by examiner

Fig.1

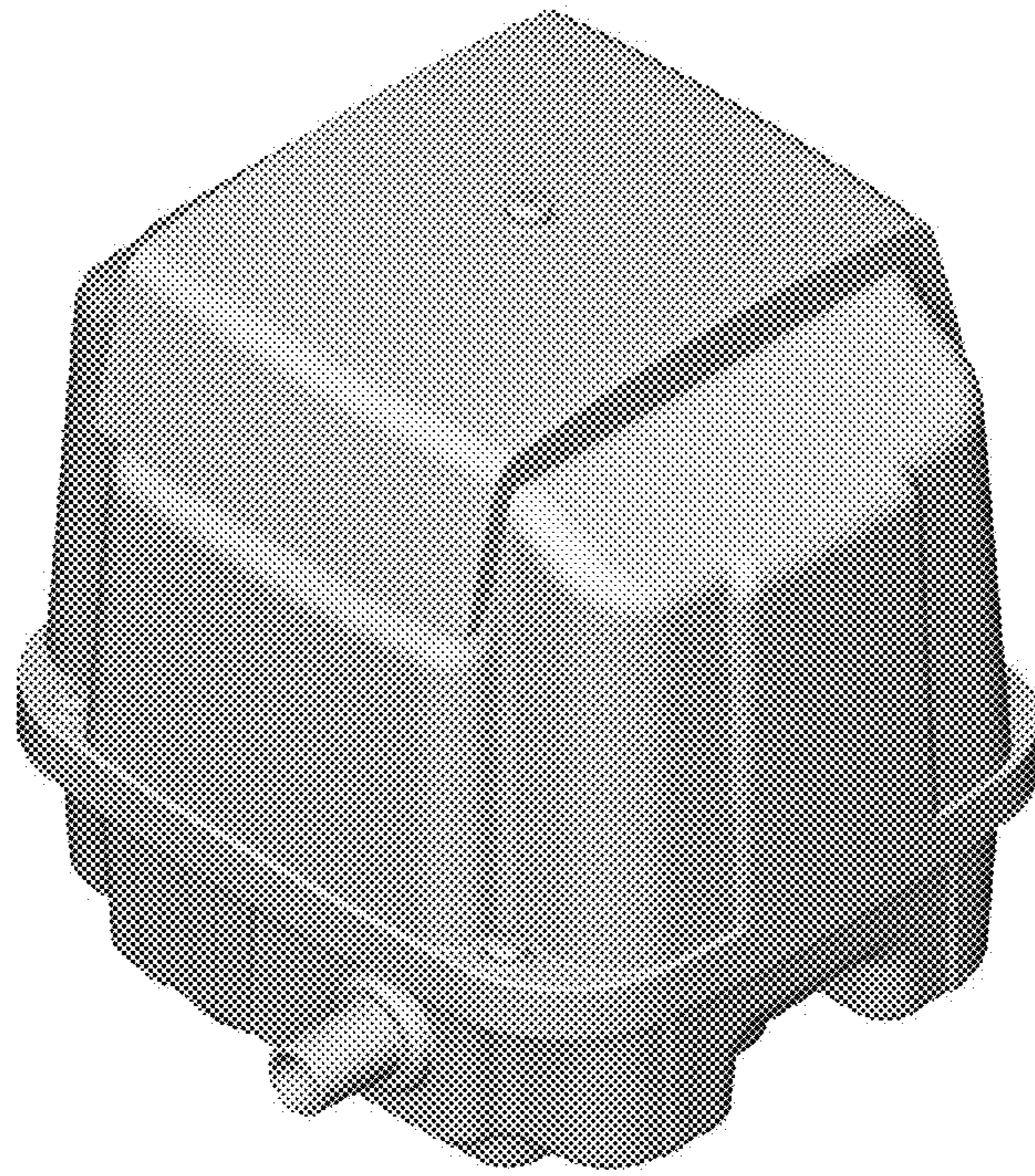


Fig.2

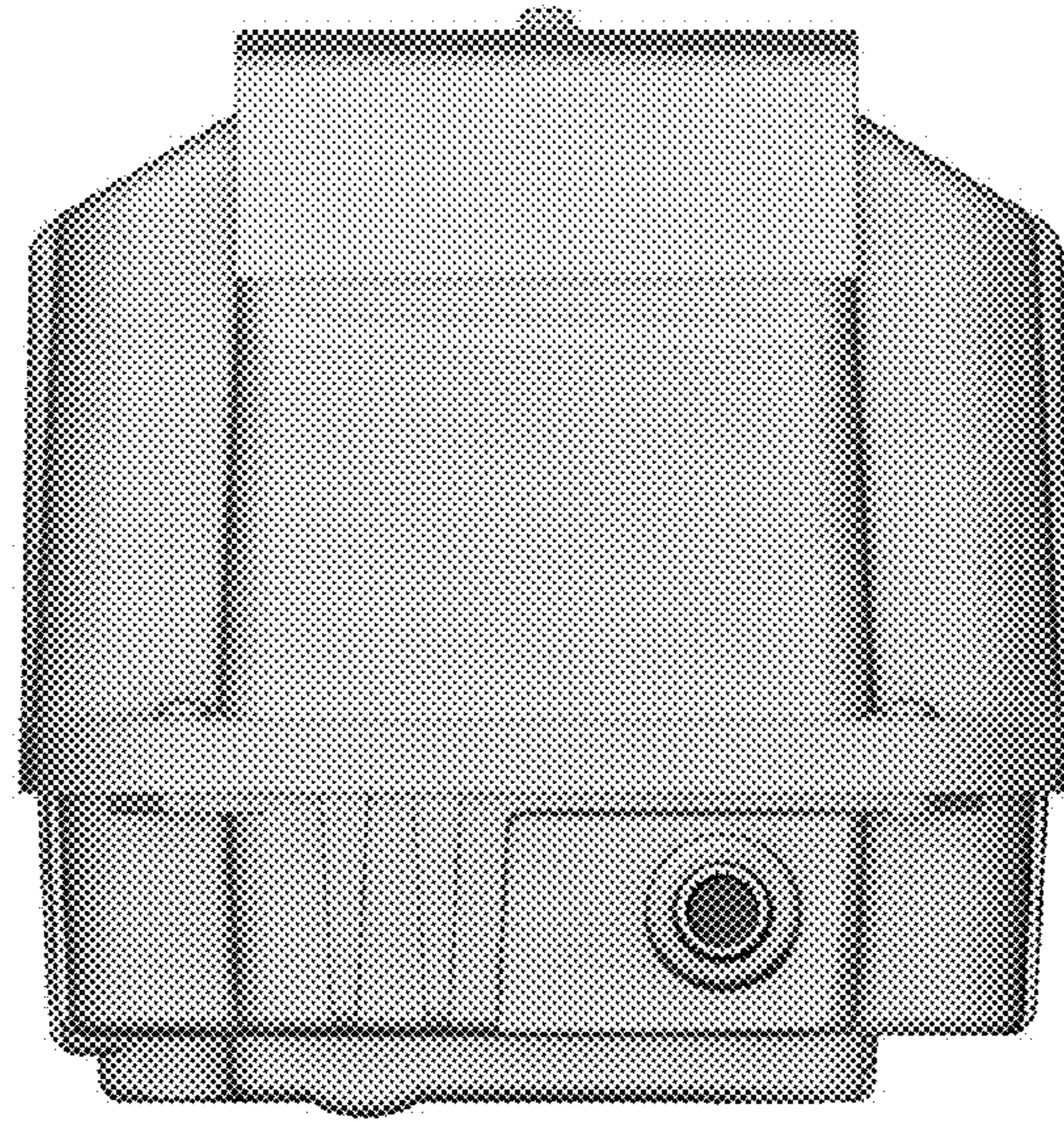


Fig.3

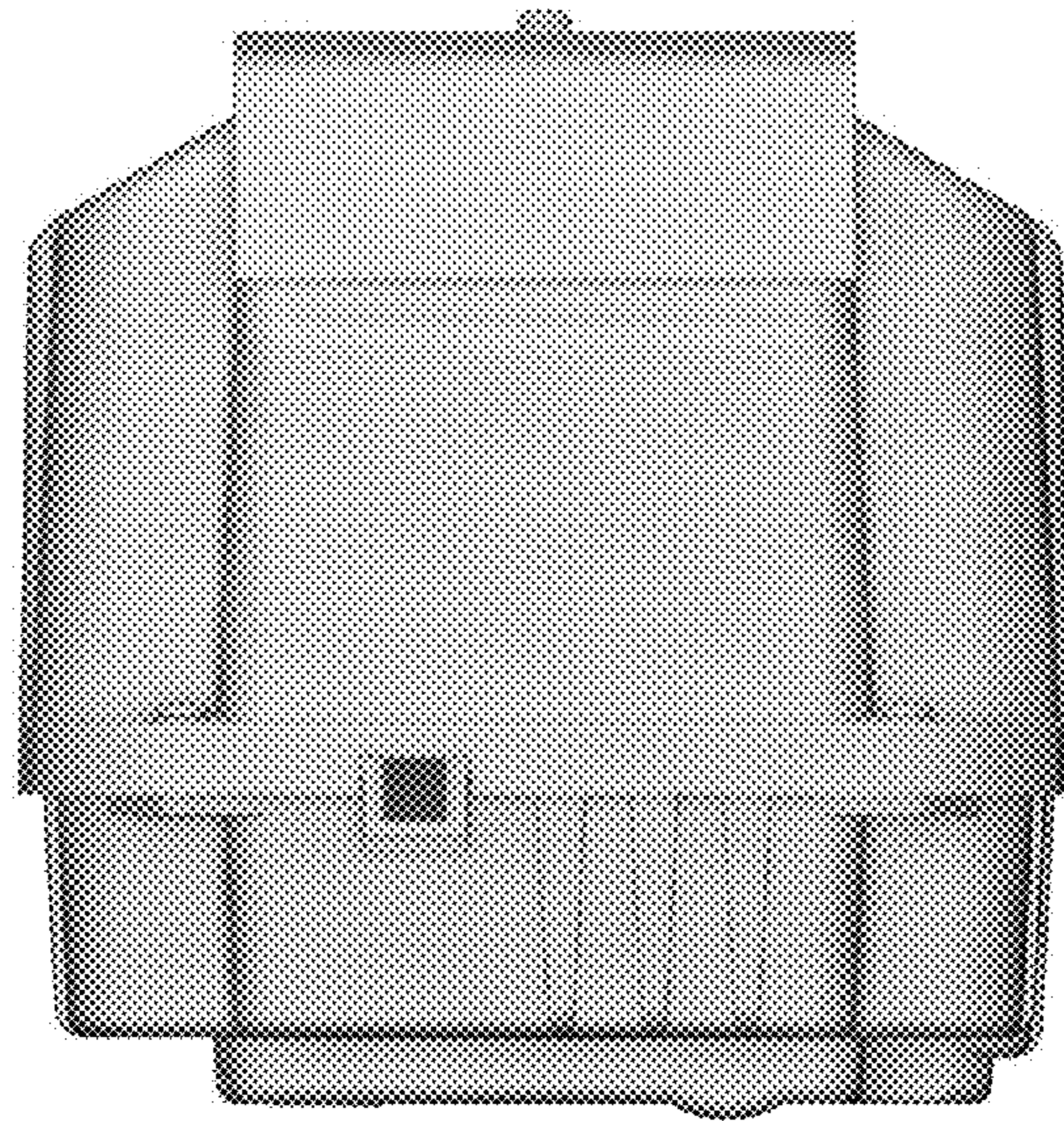


Fig.4



Fig.5

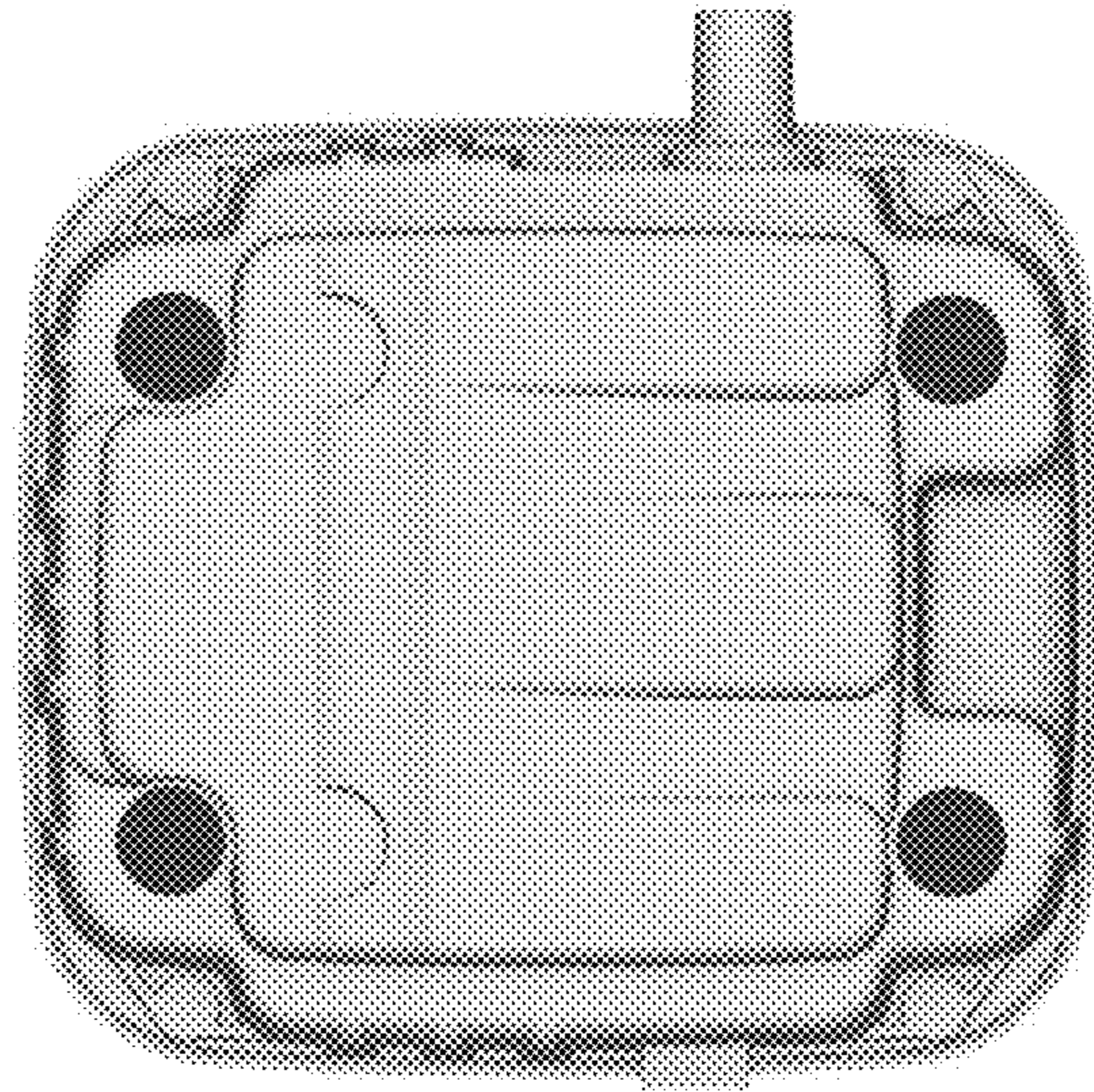


Fig.6

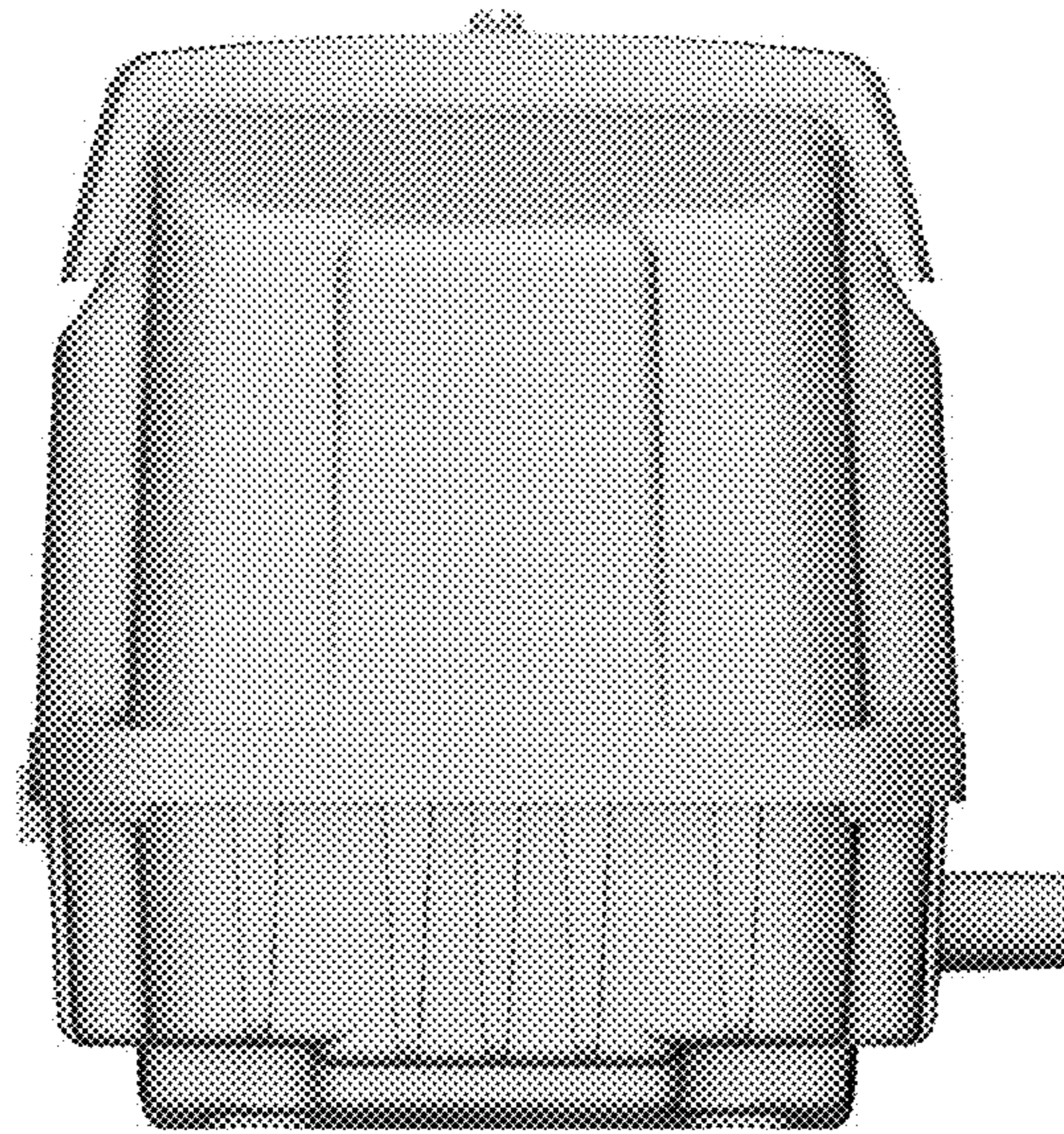


Fig.7

