



US00D962293S

(12) **United States Design Patent** (10) **Patent No.:** **US D962,293 S**
Hu (45) **Date of Patent:** **** Aug. 30, 2022**

(54) **PORTABLE AIR COMPRESSOR**

(71) Applicant: **Xianwen Hu**, Shenzhen (CN)

(72) Inventor: **Xianwen Hu**, Shenzhen (CN)

(**) Term: **15 Years**

(21) Appl. No.: **29/764,387**

(22) Filed: **Dec. 30, 2020**

(51) **LOC (13) Cl.** **15-02**

(52) **U.S. Cl.**
USPC **D15/7**

(58) **Field of Classification Search**
USPC D15/7-9, 144.1; D12/114; D14/139,
D14/154, 155, 196, 209.1, 214, 221;
D24/108, 110, 168, 170, 231, 232
CPC F04B 53/14; F04B 53/92; F04B 33/00;
F04B 33/005; F04B 1/005; F04B 39/102;
F04D 13/06; F04D 29/22; F04D 29/046;
F04D 29/2266

See application file for complete search history.

(56) **References Cited**

U.S. PATENT DOCUMENTS

D273,958 S *	5/1984	Mariol	D15/9
D295,181 S *	4/1988	Vitaloni	D15/9
D340,458 S *	10/1993	Wang	D15/7
D340,726 S *	10/1993	Wang	D15/7
D384,081 S *	9/1997	Wang	D15/7
D407,413 S *	3/1999	Wang	D15/9
D436,600 S *	1/2001	Larsson	D15/7
D454,884 S *	3/2002	Christiansen	D15/7
D470,509 S *	2/2003	Chen	D15/9
D478,094 S *	8/2003	Scarth	D15/9
D485,281 S *	1/2004	Hsiao	D15/9
D512,442 S *	12/2005	Moser, III	D15/9
D527,340 S *	8/2006	Christiani	D13/107
D529,926 S *	10/2006	Krieger	D26/46

D534,447 S *	1/2007	Marini	D10/86
D542,447 S *	5/2007	Krieger	D26/46
D572,273 S *	7/2008	Carpenter	D15/7
D774,102 S *	12/2016	Ellman	D15/9
D807,404 S *	1/2018	Mantes	D15/7
D875,788 S *	2/2020	Tuang	D15/9
D896,281 S *	9/2020	Long	D15/9
D916,139 S *	4/2021	Fan	D15/7
D917,571 S *	4/2021	Chen	D15/7
D932,520 S *	10/2021	Johnson	D15/7

OTHER PUBLICATIONS

Hausbell, HAUSBELL Portable Car Air Compressor, 2022 Product Upgraded Fully, (first available May 16, 2019), Amazon.com, URL: <<https://www.amazon.com/dp/B07RXZKMX3>> (Year: 2019).*

(Continued)

Primary Examiner — Calvin E Vansant
Assistant Examiner — Mark T. Philipps

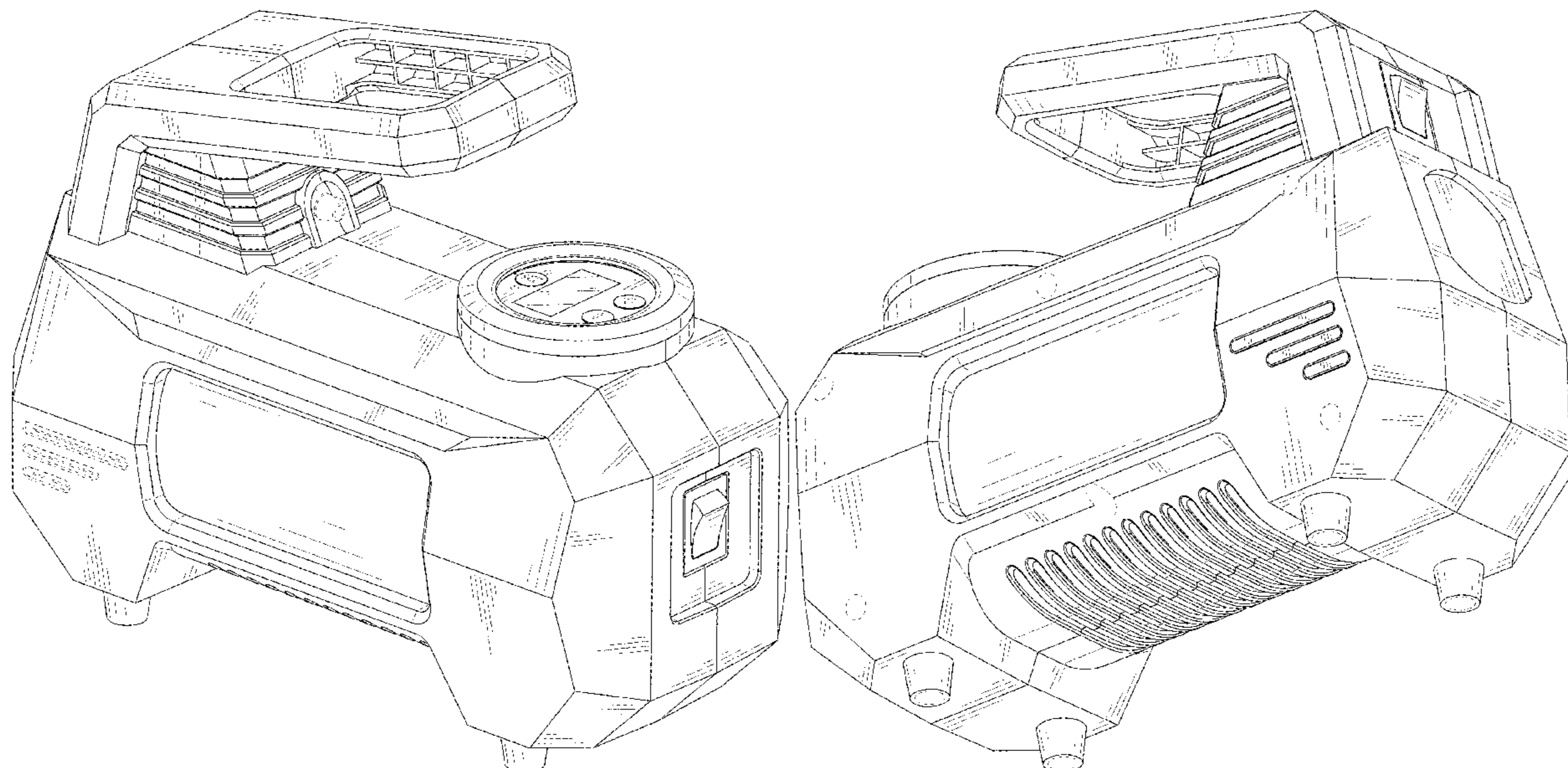
(57) **CLAIM**

The ornamental design for a portable air compressor, as shown and described.

DESCRIPTION

FIG. 1 is a perspective view of a portable air compressor showing my new design;
FIG. 2 is another perspective view thereof;
FIG. 3 is a front elevational view thereof;
FIG. 4 is a rear elevational view thereof;
FIG. 5 is a left side elevational view thereof;
FIG. 6 is a right side elevational view thereof;
FIG. 7 is a top plan view thereof; and,
FIG. 8 is a bottom plan view thereof.
The broken lines in the drawings depict portions of the portable air compressor that form no part of the claimed design.

1 Claim, 8 Drawing Sheets



(56)

References Cited

OTHER PUBLICATIONS

VacLife, AC/DC 2-in-1 Tire Inflator—Portable Air Compressor, (first available Apr. 1, 2021), Amazon.com, URL:<<https://www.amazon.com/dp/B08LGTYBQQ>> (Year: 2021).*

Sioukoai, Portable Air Compressor for Car Tires, 12v Dc Digital Tire Inflator, (first available Aug. 19, 2021), URL:<<https://www.amazon.com/dp/B09D3Q75PL>> (Year: 2021).*

AstroAI, 12V DC Auto Tire Pump with Digital Pressure Gauge, (first available Jun. 30, 2019), Amazon.com, URL:<<https://www.amazon.com/AstroAI-Portable-Compressor-Inflator-Motorcycle/dp/B07QR4Q42L>> (Year: 2019).*

* cited by examiner

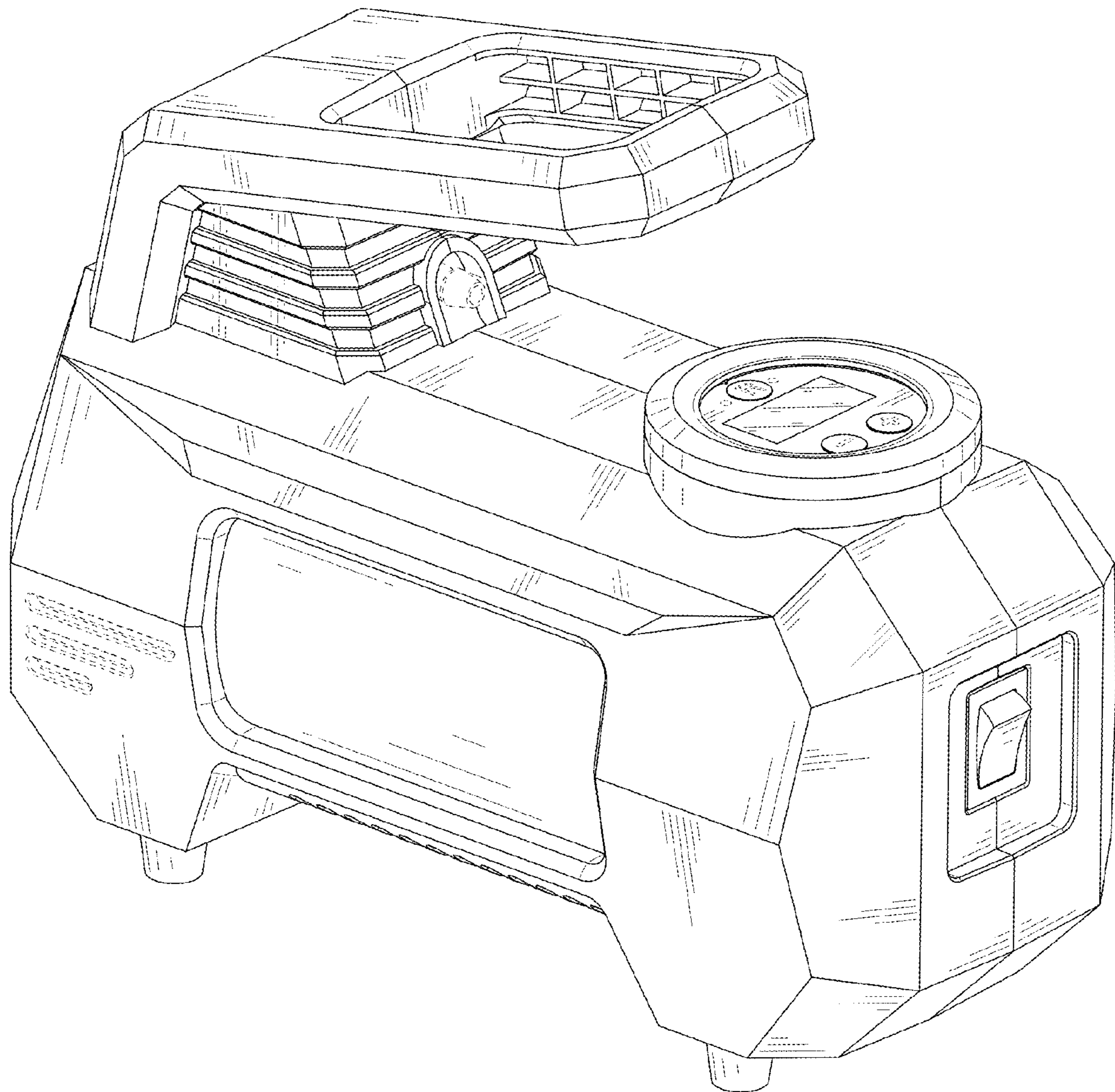


FIG. 1

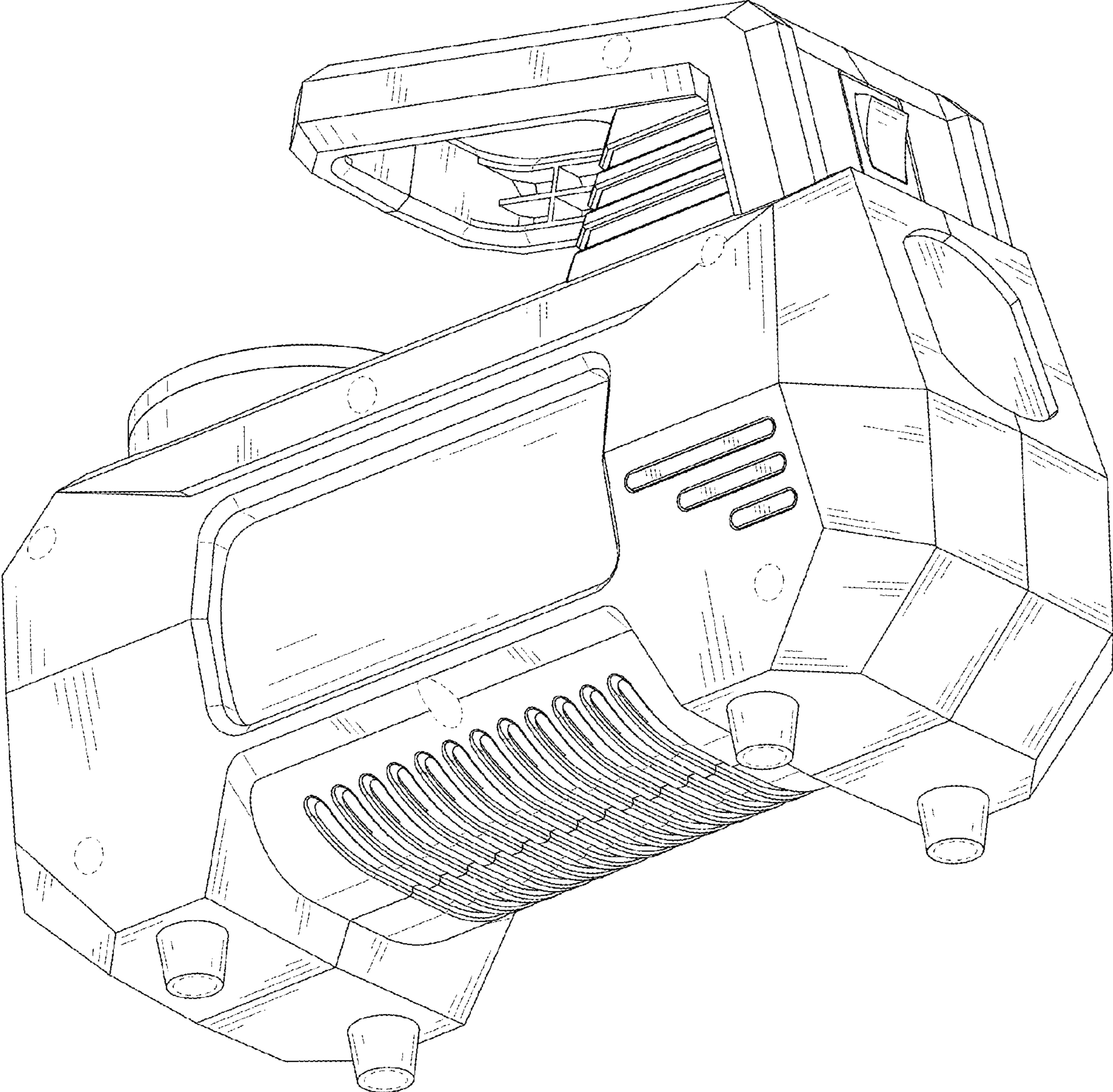


FIG. 2

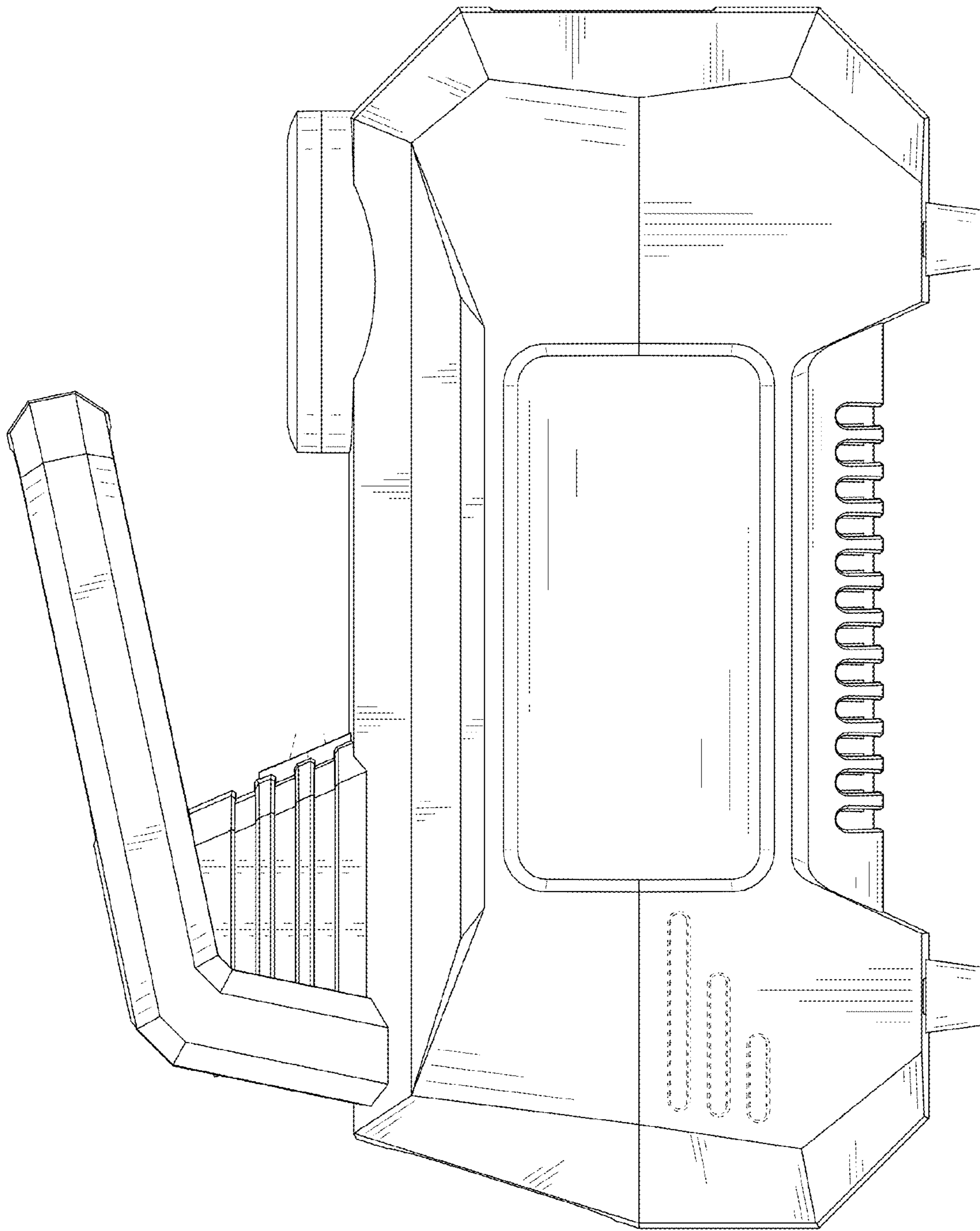


FIG. 3

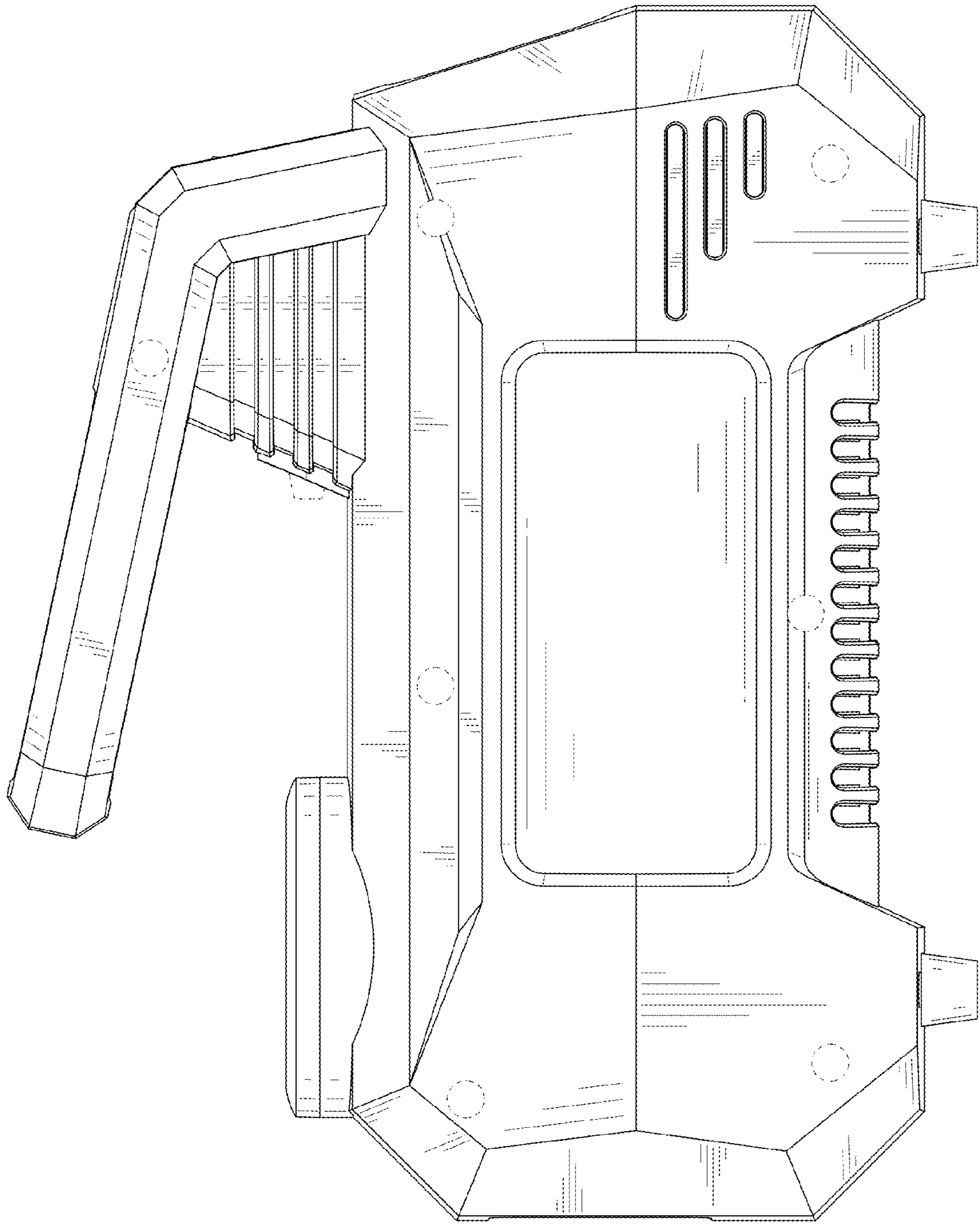


FIG. 4

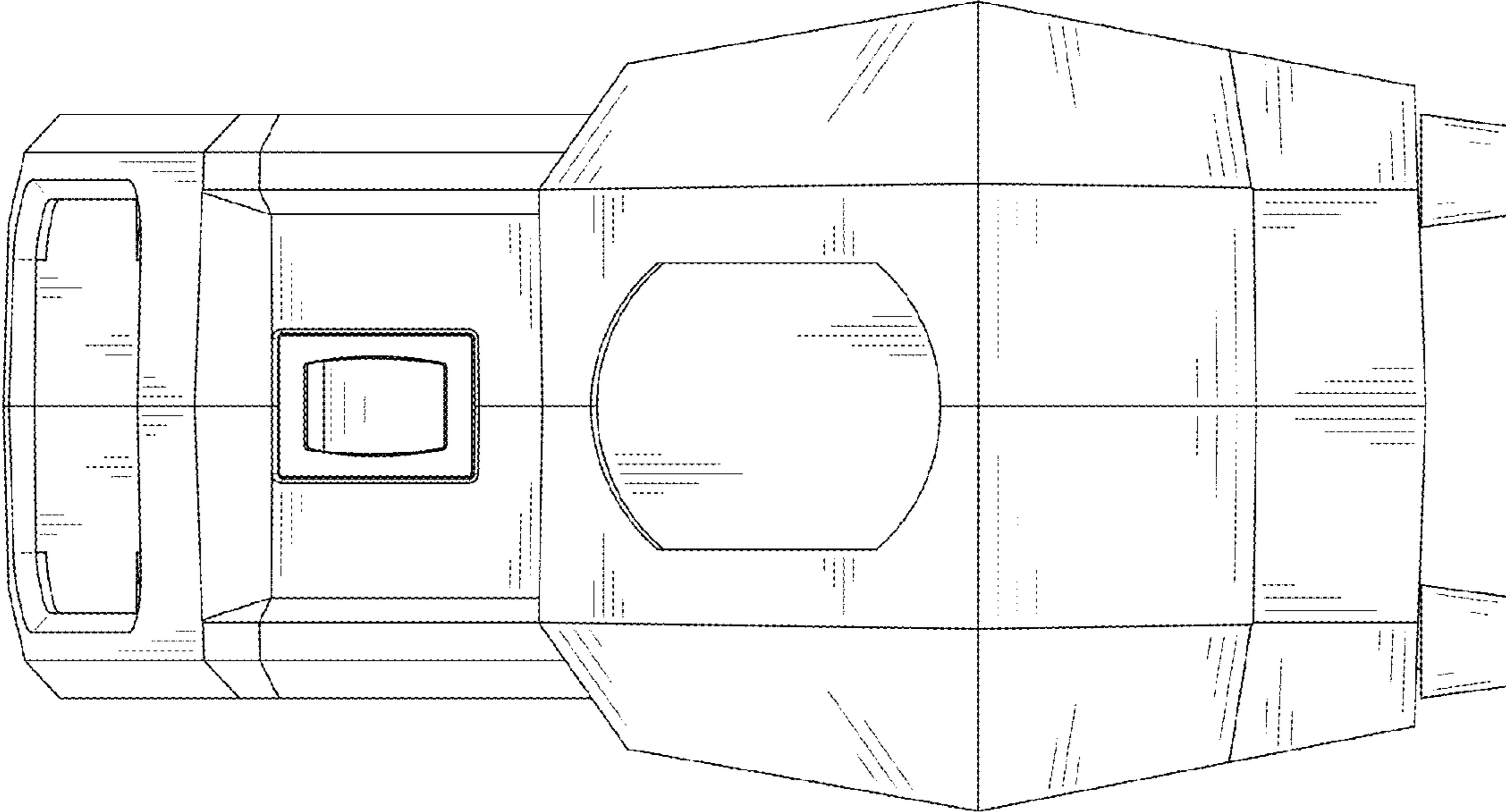


FIG. 5

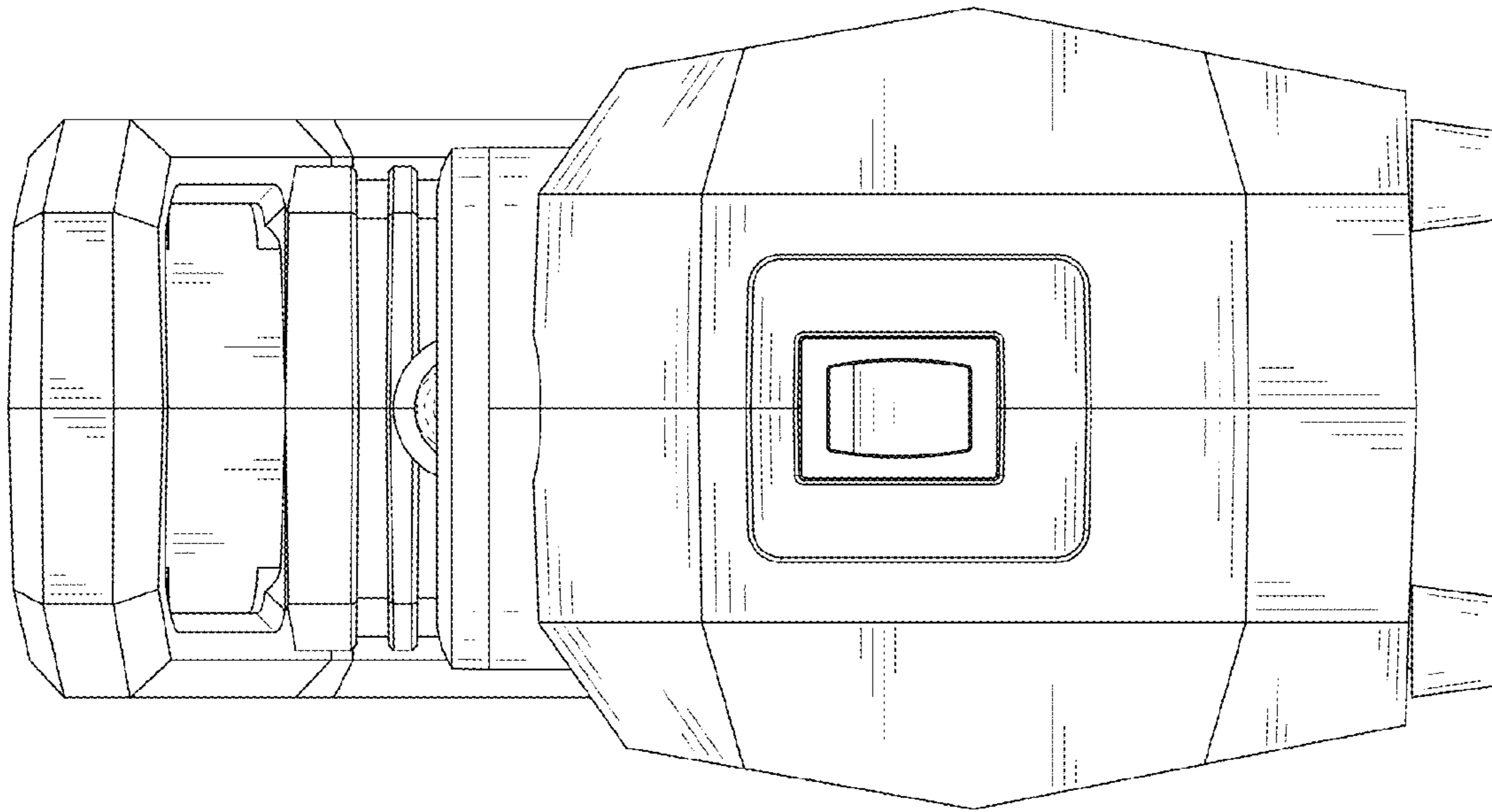


FIG. 6

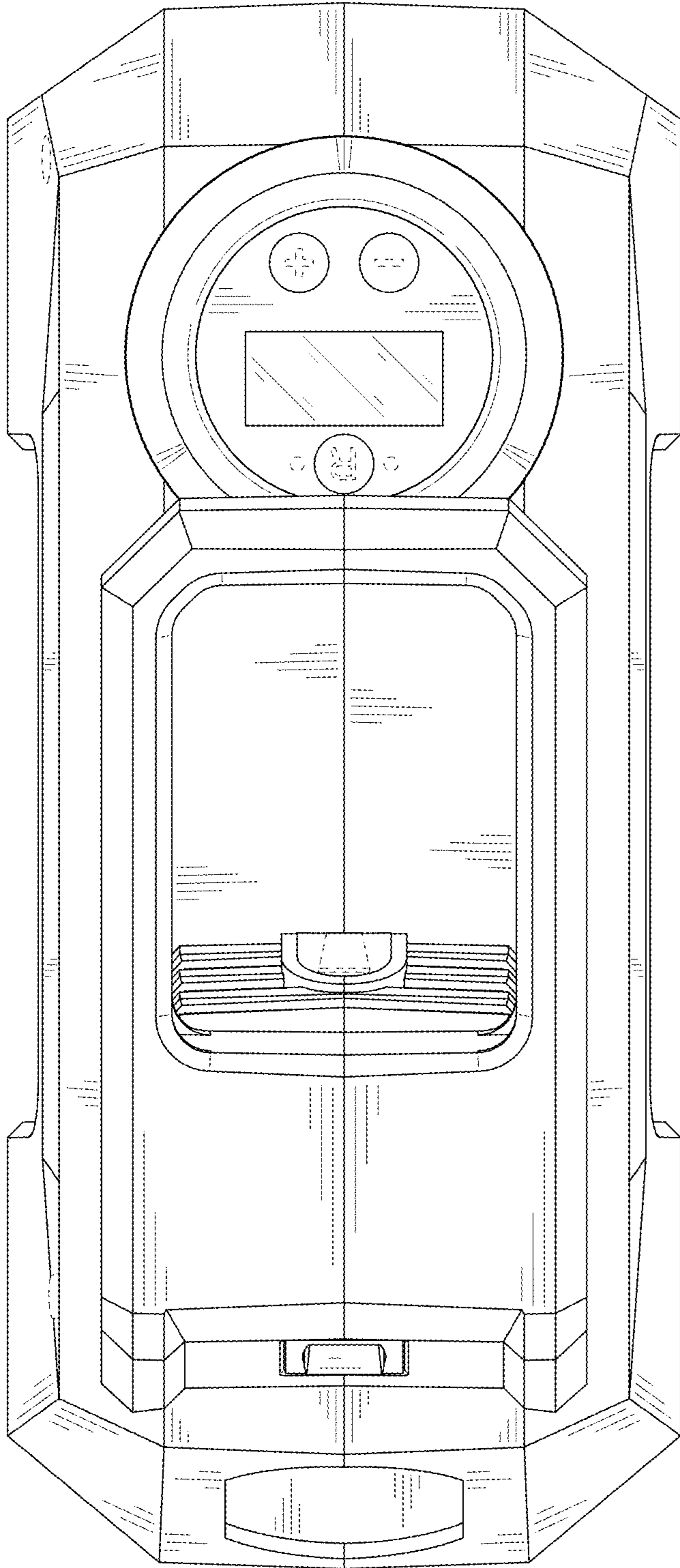


FIG. 7

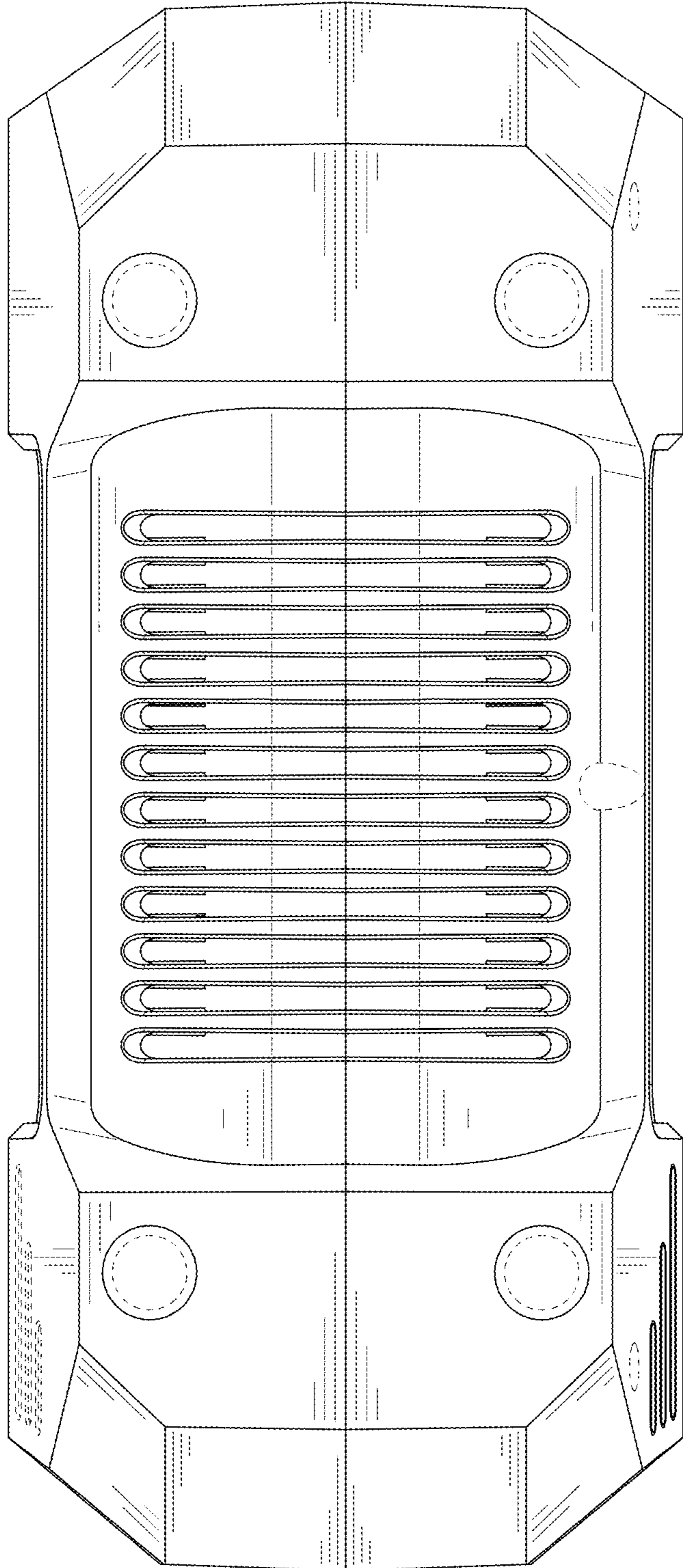


FIG. 8