



US00D962292S

(12) **United States Design Patent** (10) **Patent No.:** **US D962,292 S**
Deem (45) **Date of Patent:** **** Aug. 30, 2022**

(54) **ENCLOSED PUMP**

- (71) Applicant: **Masterflex, LLC**, Radnor, IL (US)
- (72) Inventor: **Jeffrey Deem**, Lake in the Hills, IL (US)
- (73) Assignee: **Masterflex, LLC**, Radnor, PA (US)
- (**) Term: **15 Years**
- (21) Appl. No.: **29/757,036**
- (22) Filed: **Nov. 2, 2020**
- (51) **LOC (13) Cl.** **15-02**
- (52) **U.S. Cl.**
USPC **D15/7**
- (58) **Field of Classification Search**
USPC D15/7, 9, 143, 148-149, 199; D23/225,
D23/231-233, 235; D24/108, 110, 111
CPC F15B 15/16; F15B 15/26; F15B 15/1414;
F15B 15/1919; F15B 15/14; F15B 15/00;
F15B 15/08; F15B 15/18; F15B 15/20;
F02M 37/04; F04D 29/4286
See application file for complete search history.

(56) **References Cited**

U.S. PATENT DOCUMENTS

D730,408 S *	5/2015	Brokenshire	D15/7
D732,158 S *	6/2015	Salmon	D24/110
D798,437 S *	9/2017	Buckley	D24/110
D871,455 S *	12/2019	Crowsley	D15/7
D894,369 S *	8/2020	Salmon	D24/110
D933,202 S *	10/2021	Vail	D24/111
D935,486 S *	11/2021	Pierce	D15/7
D936,706 S *	11/2021	Swatosch	D15/7
D940,575 S *	1/2022	Deem	D10/49
2012/0027622 A1 *	2/2012	Ashburn	A61M 5/14232 417/474
2015/0283350 A1 *	10/2015	Miller	A61M 16/0816 128/205.25
2016/0017880 A1 *	1/2016	Maguire	F04B 43/1284 417/410.3

OTHER PUBLICATIONS

Cole-Parmer, Masterflex B/T® MasterSense™ BioPharma Pump, (site visited Feb. 24, 2022), Coleparmer.com website, URL:<https://www.coleparmer.com/i/masterflex-b-t-mastersense-biopharma-pump-ethernet-ip-and-profibus-network-compatible-11-to-321-rpm-90-to-260-vac/7711210> (Year: 2022).*

Bio Pharma Dynamics, Scilog Single-Use Pumps, (site visited Feb. 24, 2022), Biopharmadynamics.co.uk website, URL:<https://www.biopharmadynamics.co.uk/products/mixers-pumps/scilog-singleuse-pumps/> (Year: 2022).*

Quattro Flow Fluid Systems, Single-Use Pumps, (site visited Feb. 24, 2022), PSG a Dover Company website, URL:<https://www.psgdover.com/quattroflow/products/single-use-pumps> (Year: 2022).*

* cited by examiner

Primary Examiner — Calvin E Vansant
Assistant Examiner — Mark T. Philipps
 (74) *Attorney, Agent, or Firm* — Faegre Drinker Biddle & Reath LLP

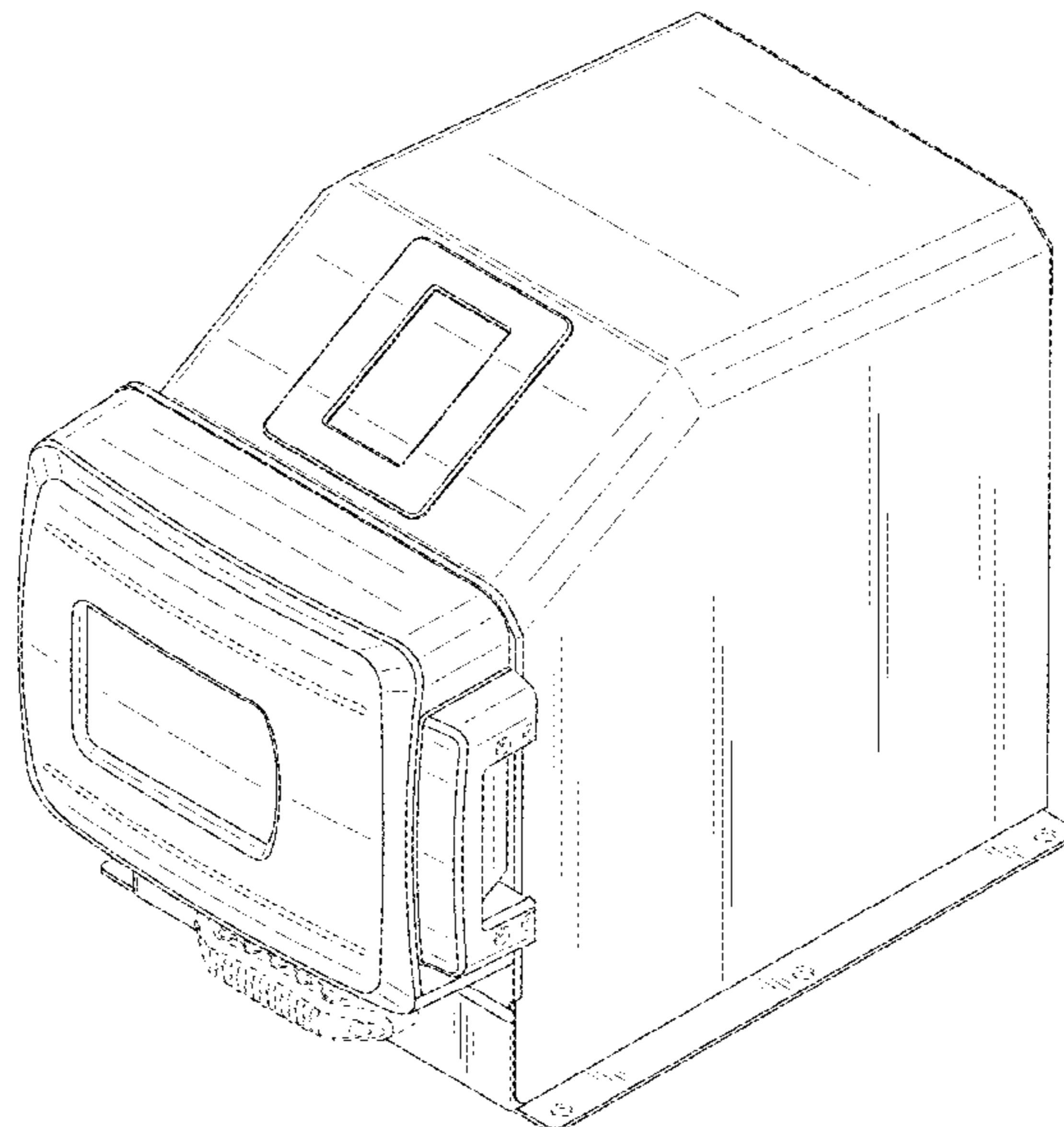
(57) **CLAIM**

The ornamental design for an enclosed pump, as shown and described.

DESCRIPTION

FIG. 1 is a front right perspective view of an enclosed pump showing my new design;
 FIG. 2 is a front view of the design shown in FIG. 1;
 FIG. 3 is a rear view of the design shown in FIG. 1;
 FIG. 4 is a left side view of the design shown in FIG. 1;
 FIG. 5 is a right side view of the design shown in FIG. 1;
 FIG. 6 is a top view of the design shown in FIG. 1; and,
 FIG. 7 is a bottom view of the design shown in FIG. 1.
 The broken lines shown in the figures are included for the purpose of illustrating portions of the enclosed pump and form no part of the claimed design.

1 Claim, 7 Drawing Sheets



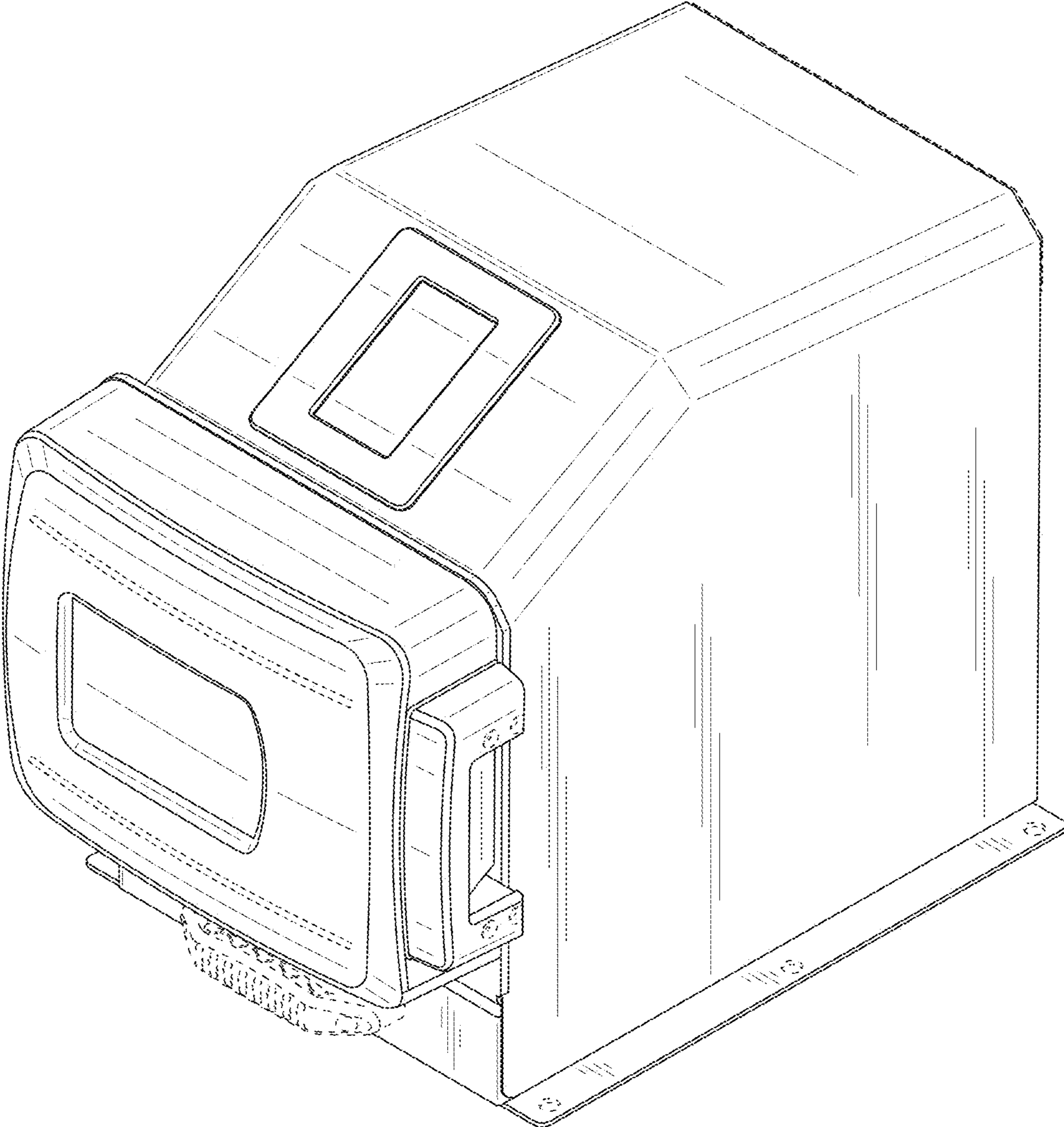


FIG. 1

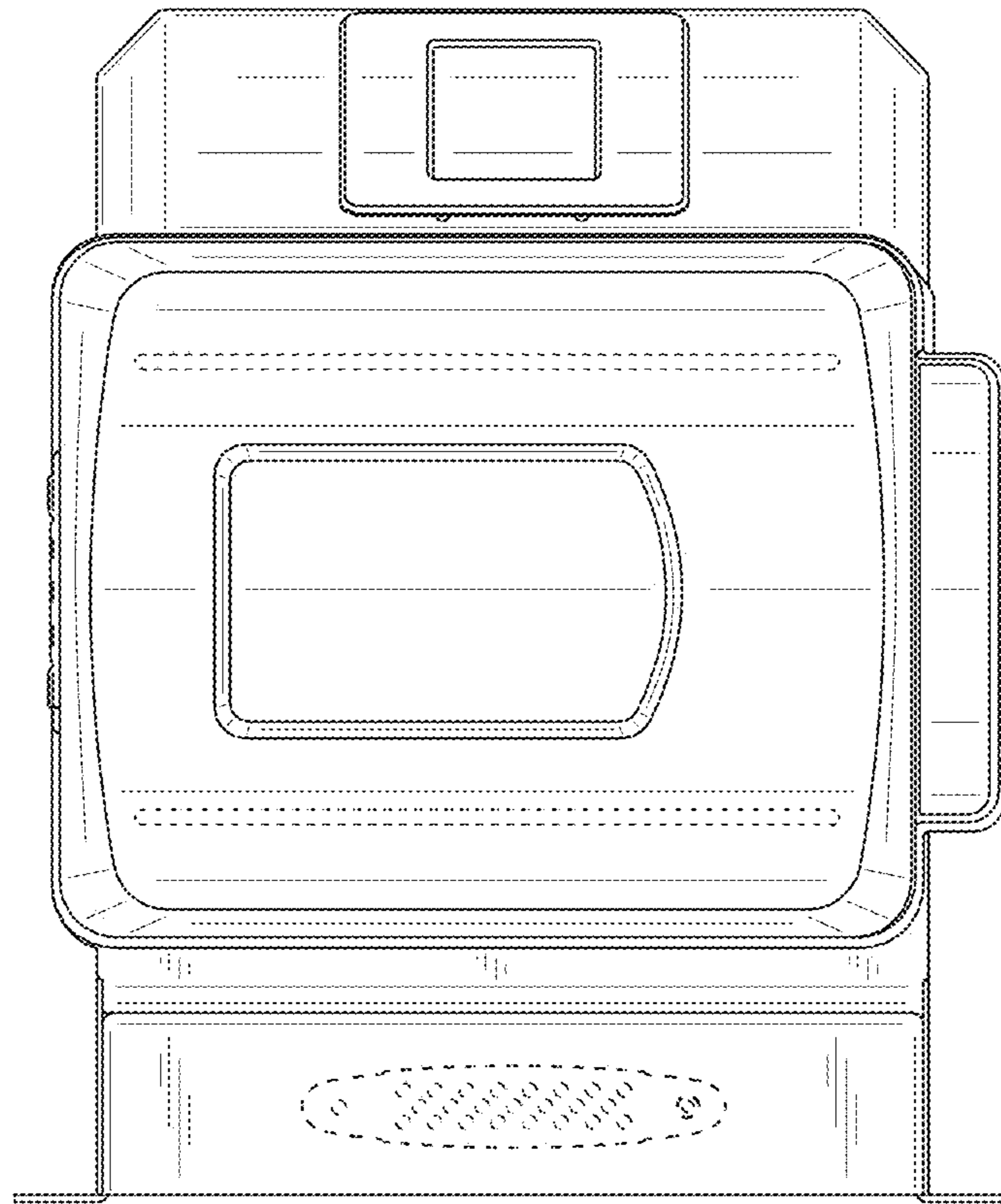


FIG. 2

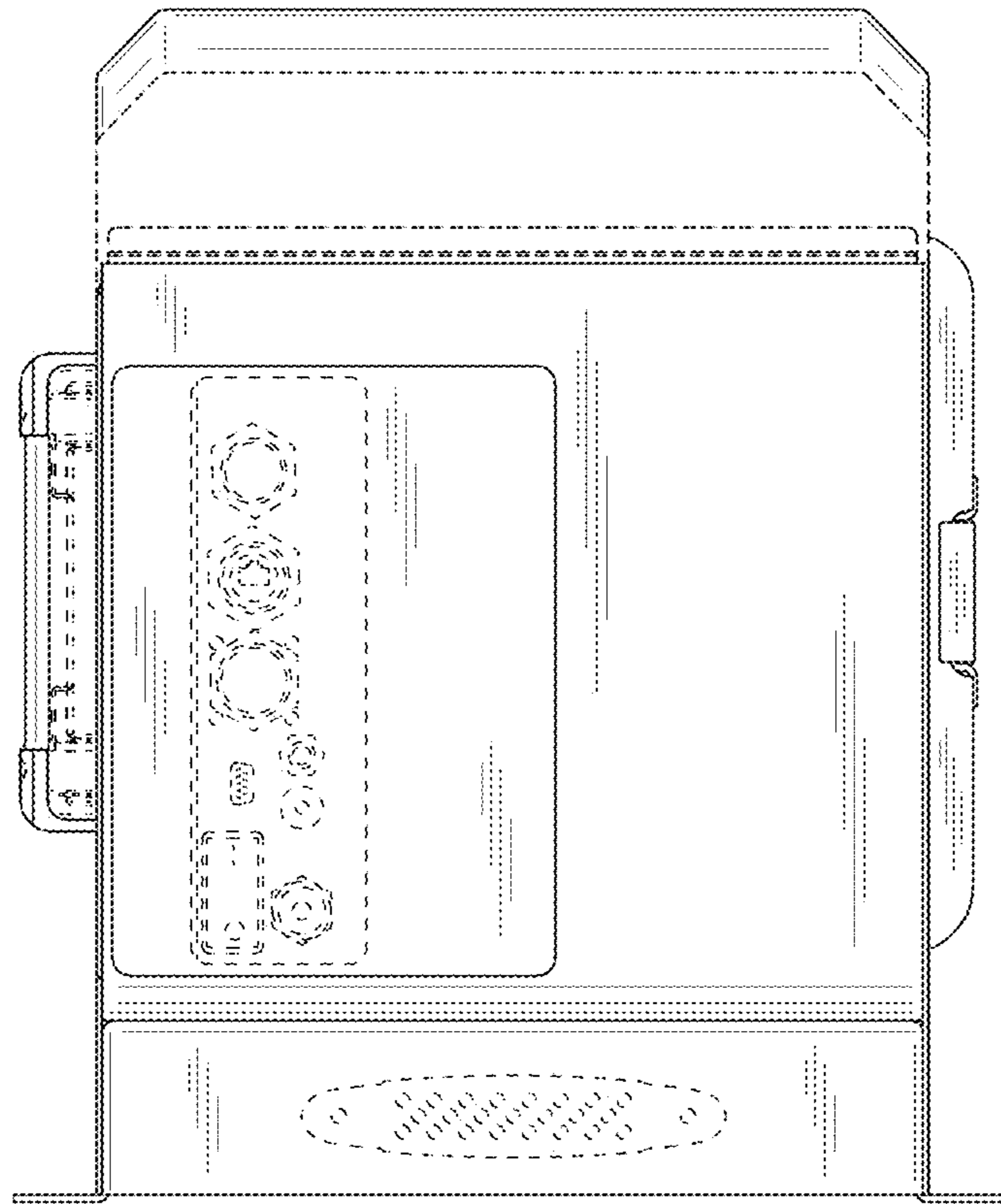


FIG. 3

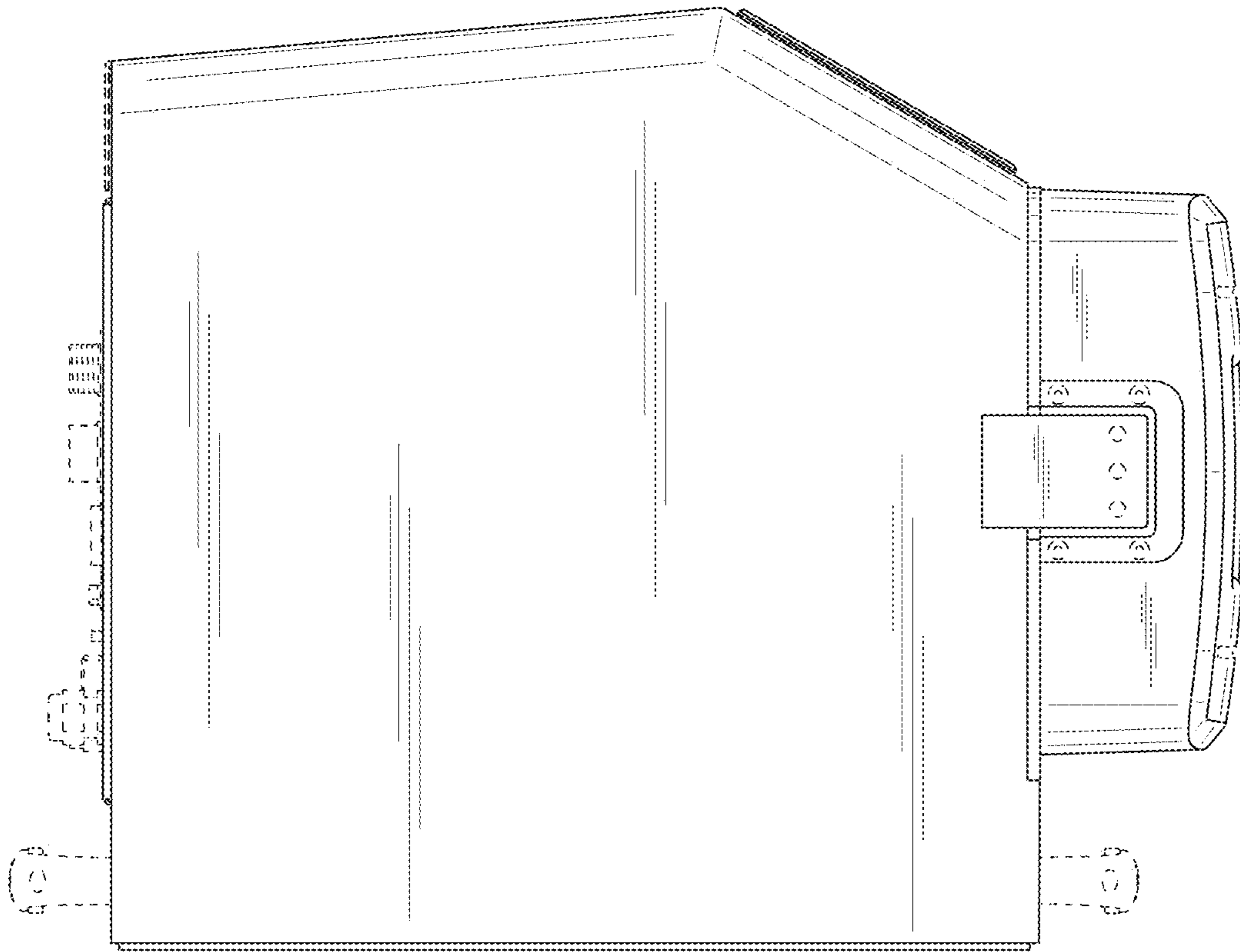


FIG. 4

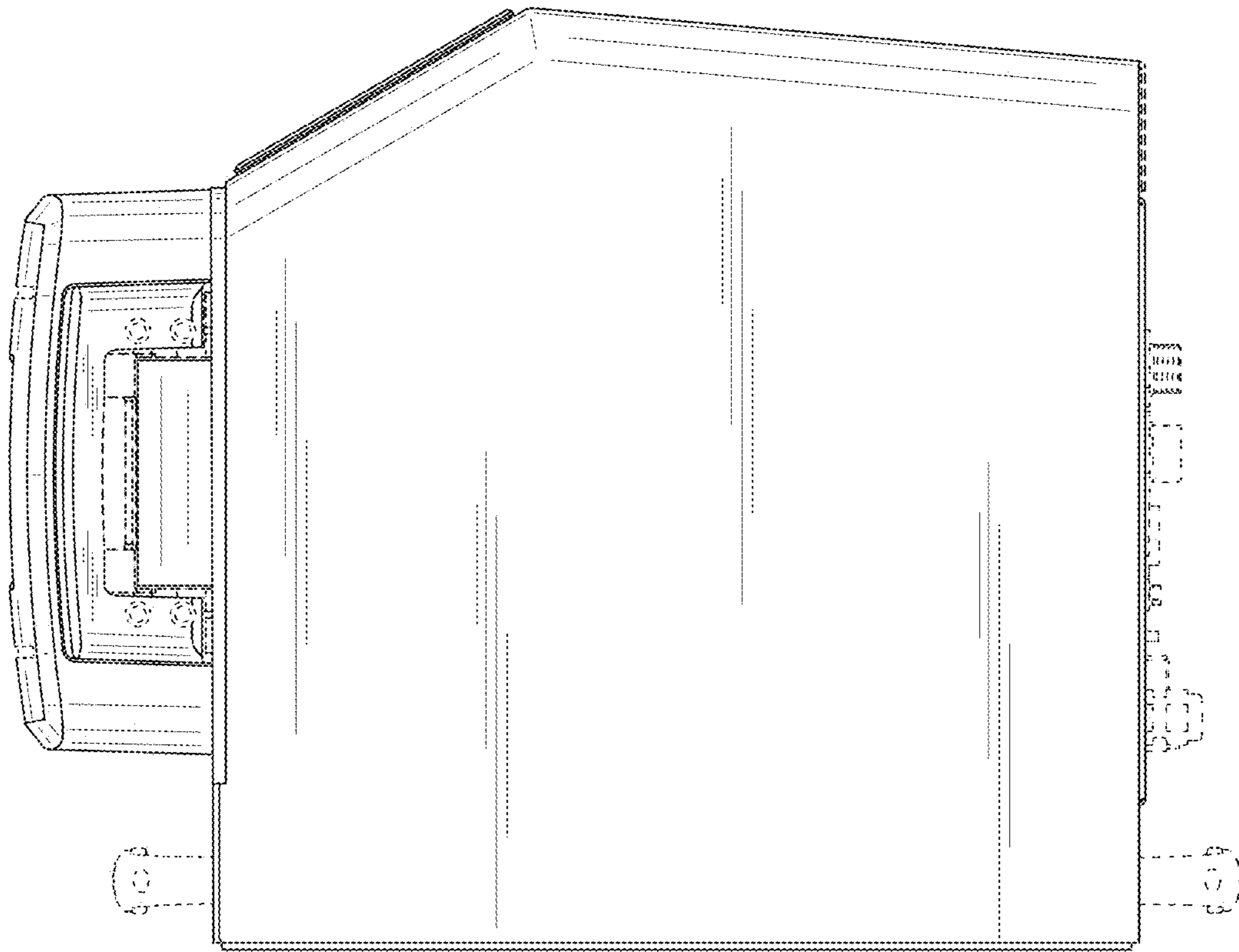


FIG. 5

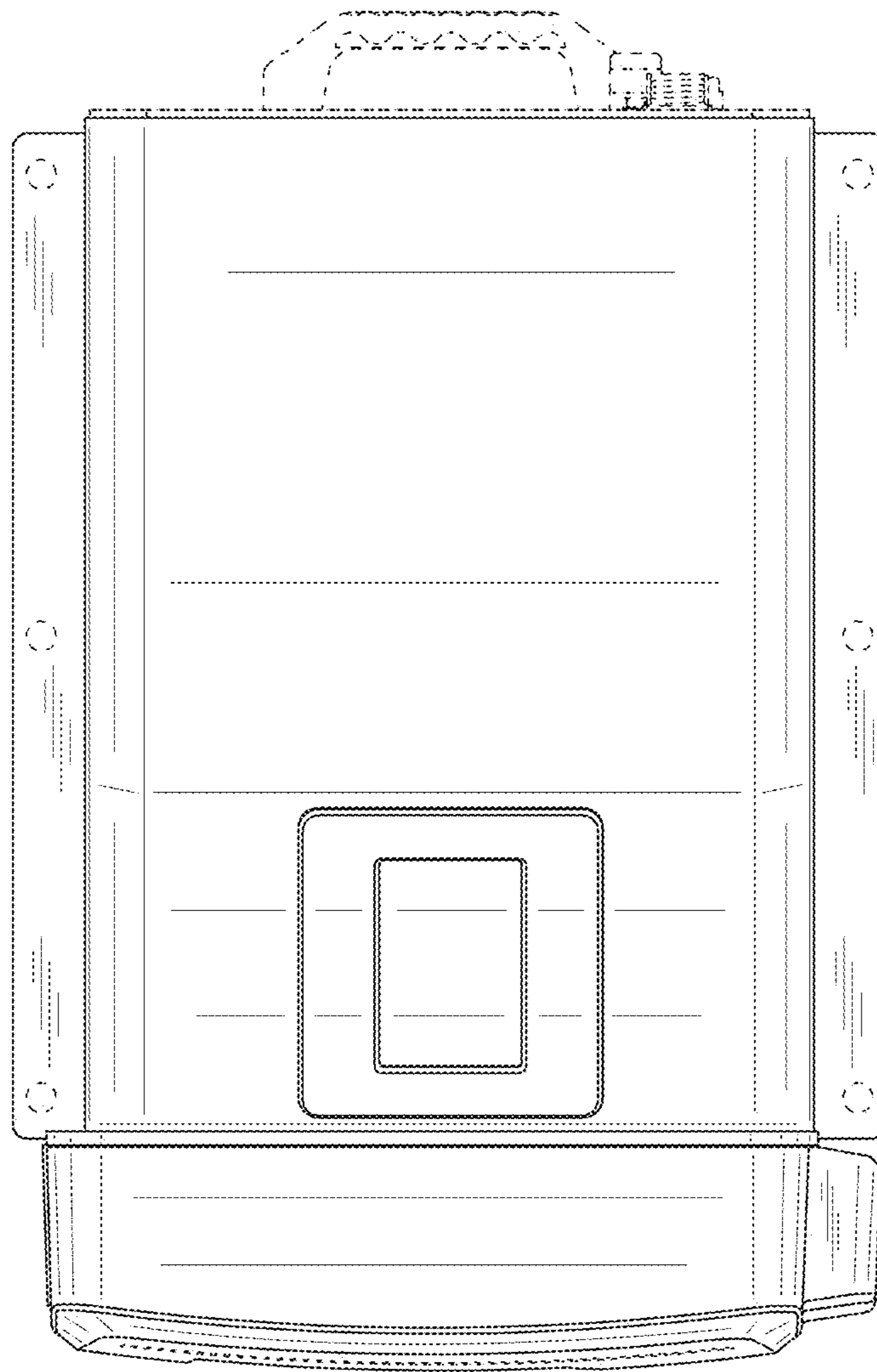


FIG. 6

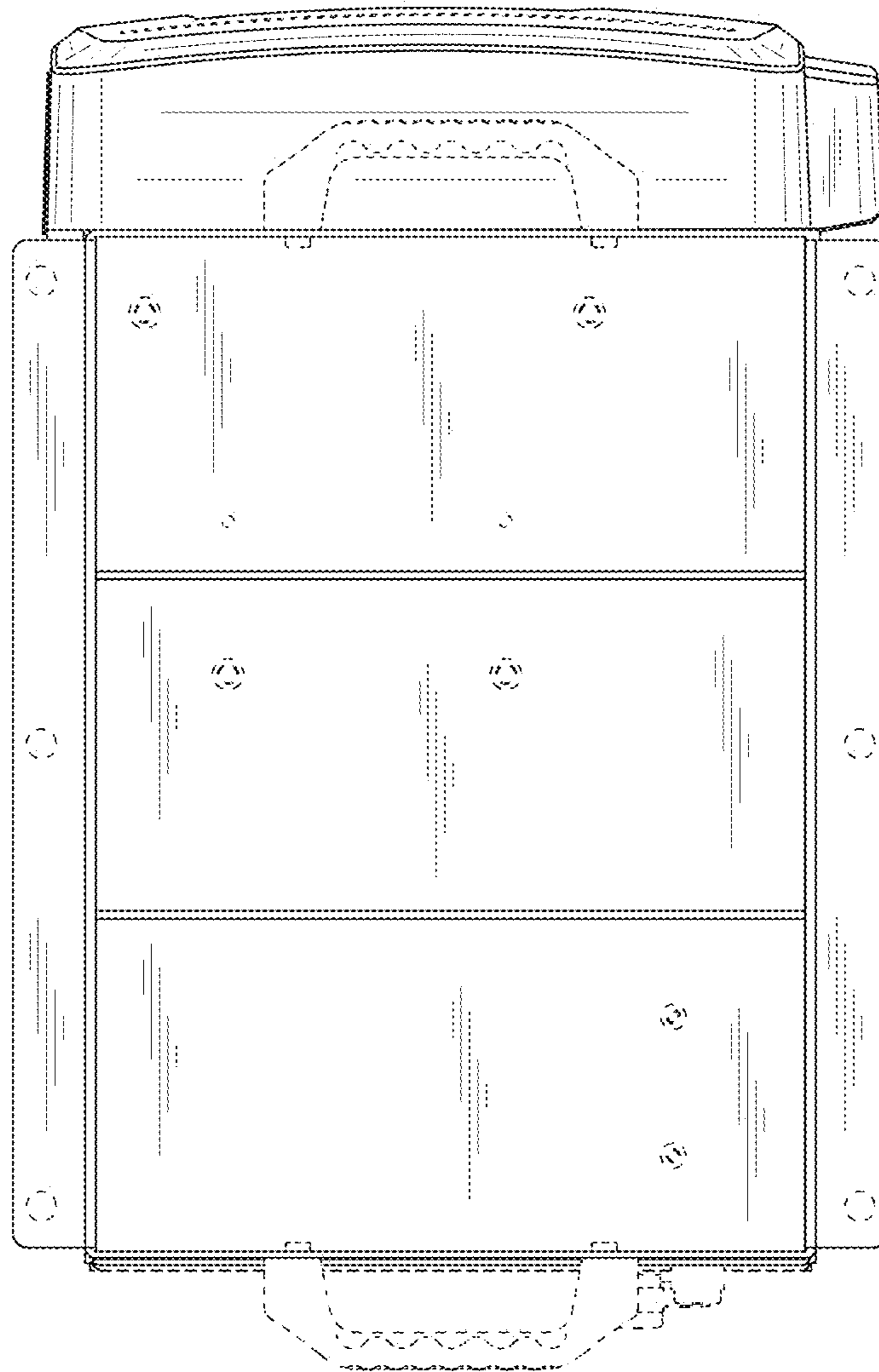


FIG. 7