



(12) **United States Design Patent** (10) **Patent No.:** **US D962,280 S**
Jackson et al. (45) **Date of Patent:** **** Aug. 30, 2022**

(54) **DISPLAY SCREEN WITH ANIMATED GRAPHICAL USER INTERFACE OF AN OPHTHALMIC TESTING SYSTEM**

(71) Applicant: **MacuLogix, Inc.**, Harrisburg, PA (US)

(72) Inventors: **Gregory R. Jackson**, Hershey, PA (US); **David E. Beecher**, Shippensburg, PA (US); **Laura Walter**, Elizabethtown, PA (US); **Nathan Smith**, Lewistown, PA (US); **David E. Orr**, Piedmont, SC (US)

(73) Assignee: **MACULOGIX, INC.**, Harrisburg, PA (US)

(**) Term: **15 Years**

(21) Appl. No.: **29/728,992**

(22) Filed: **Mar. 23, 2020**

(51) **LOC (13) Cl.** **14-04**

(52) **U.S. Cl.**
USPC **D14/488**

(58) **Field of Classification Search**
USPC D14/485-95

(Continued)

(56) **References Cited**

U.S. PATENT DOCUMENTS

D438,874 S * 3/2001 Flamini D14/495
D611,958 S * 3/2010 Alvarez D14/495
(Continued)

OTHER PUBLICATIONS

AdaptDx Pro Overview—Youtube, https://www.youtube.com/watch?v=4c01VvU_fvA (Year: 2020).*
(Continued)

Primary Examiner — Melanie H Tung
Assistant Examiner — Darmawan Truong

(74) *Attorney, Agent, or Firm* — White & Case LLP

(57) **CLAIM**

The ornamental design for display screen with animated graphical user interface of an ophthalmic testing system, as shown and described.

DESCRIPTION

FIG. 1 is a front view of a first image in a sequences of images that can be displayed on the display screen, or a portion thereof.
FIG. 2 is a front view of another image belonging to the sequences of images that can be displayed on the display screen or a portion thereof.
FIG. 3 is a front view of another image belonging to the sequences of images that can be displayed on the display screen or a portion thereof.
FIG. 4 is a front view of another image belonging to the sequences of images that can be displayed on the display screen or a portion thereof.
FIG. 5 is a front view of another image belonging to the sequences of images that can be displayed on the display screen or a portion thereof.
FIG. 6 is a front view of another image belonging to the sequences of images that can be displayed on the display screen or a portion thereof.
FIG. 7 is a front view of another image belonging to the sequences of images that can be displayed on the display screen or a portion thereof.
FIG. 8 is a front view of another image belonging to the sequences of images that can be displayed on the display screen or a portion thereof.
FIG. 9 is a front view of another image belonging to the sequences of images that can be displayed on the display screen or a portion thereof.
FIG. 10 is a front view of another image belonging to the sequences of images that can be displayed on the display screen or a portion thereof.
FIG. 11 is a front view of another image belonging to the sequences of images that can be displayed on the display screen or a portion thereof.

(Continued)

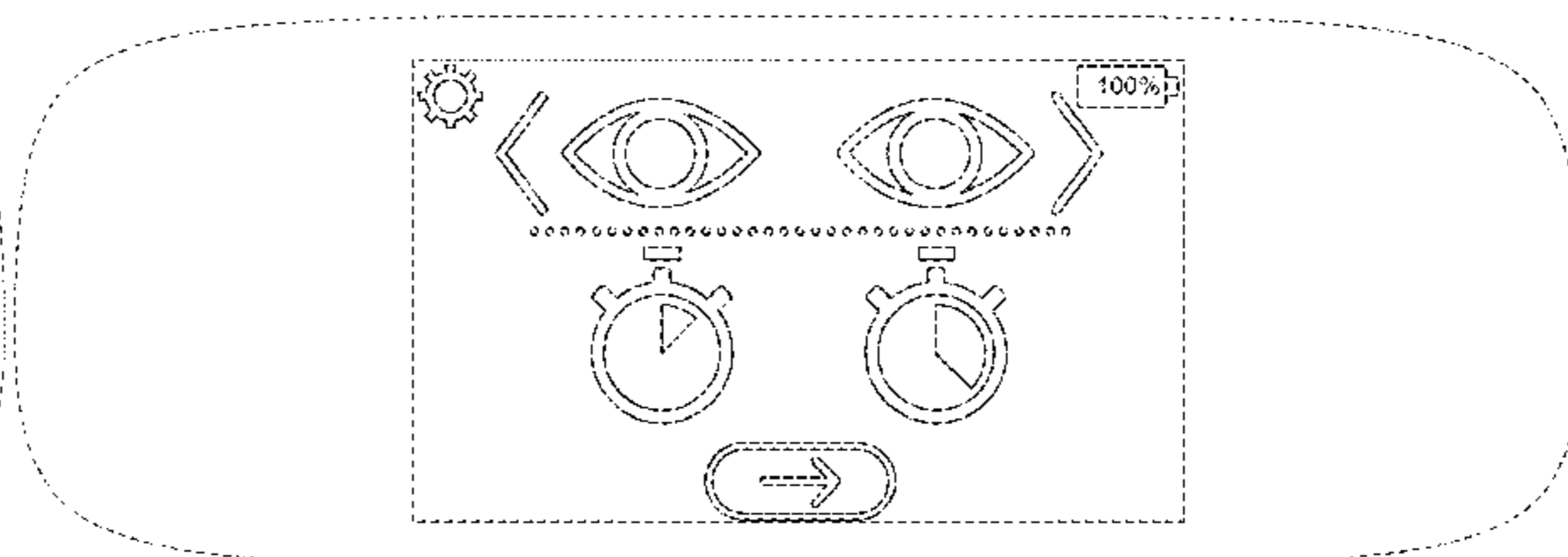
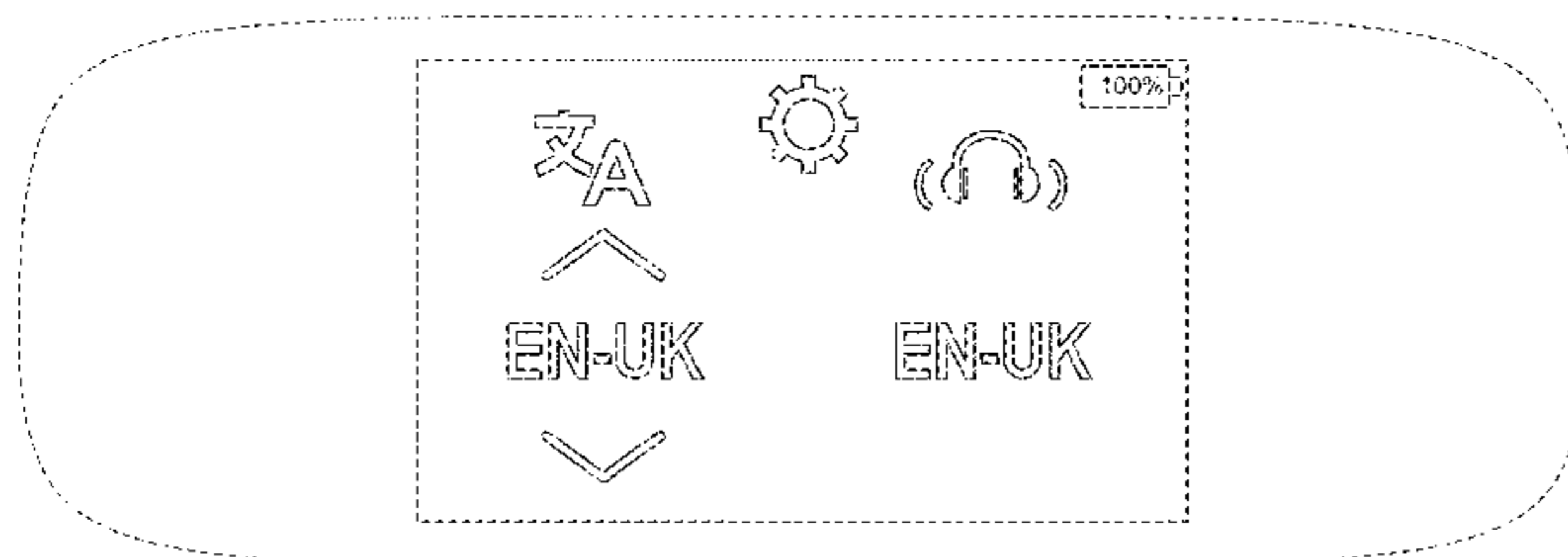


FIG. 12 is a front view of another image belonging to the sequences of images that can be displayed on the display screen or a portion thereof.

FIG. 13 is a front view of another image belonging to the sequences of images that can be displayed on the display screen or a portion thereof.

FIG. 14 is a front view of another image belonging to the sequences of images that can be displayed on the display screen or a portion thereof.

FIG. 15 is a front view of another image belonging to the sequences of images that can be displayed on the display screen or a portion thereof.

FIG. 16 is a front view of another image belonging to the sequences of images that can be displayed on the display screen or a portion thereof.

FIG. 17 is a front view of another image belonging to the sequences of images that can be displayed on the display screen or a portion thereof.

FIG. 18 is a front view of another image belonging to the sequences of images that can be displayed on the display screen or a portion thereof.

FIG. 19 is a front view of another image belonging to the sequences of images that can be displayed on the display screen or a portion thereof.

FIG. 20 is a front view of another image belonging to the sequences of images that can be displayed on the display screen or a portion thereof.

FIG. 21 is a front view of another image belonging to the sequences of images that can be displayed on the display screen or a portion thereof.

FIG. 22 is a front view of another image belonging to the sequences of images that can be displayed on the display screen or a portion thereof.

FIG. 23 is a front view of another image belonging to the sequences of images that can be displayed on the display screen or a portion thereof.

FIG. 24 is a front view of another image belonging to the sequences of images that can be displayed on the display screen or a portion thereof.

FIG. 25 is a front view of another image belonging to the sequences of images that can be displayed on the display screen or a portion thereof.

FIG. 26 is a front view of another image belonging to the sequences of images that can be displayed on the display screen or a portion thereof.

FIG. 27 is a front view of another image belonging to the sequences of images that can be displayed on the display screen or a portion thereof.

FIG. 28 is a front view of another image belonging to the sequences of images that can be displayed on the display screen or a portion thereof.

FIG. 29 is a front view of another image belonging to the sequences of images that can be displayed on the display screen or a portion thereof.

FIG. 30 is a front view of another image belonging to the sequences of images that can be displayed on the display screen or a portion thereof.

FIG. 31 is a front view of another image belonging to the sequences of images that can be displayed on the display screen or a portion thereof.

FIG. 32 is a front view of another image belonging to the sequences of images that can be displayed on the display screen or a portion thereof.

FIG. 33 is a front view of another image belonging to the sequences of images that can be displayed on the display screen or a portion thereof.

FIG. 34 is a front view of another image belonging to the sequences of images that can be displayed on the display screen or a portion thereof; and,

FIG. 35 is a front view of another image belonging to the sequences of images that can be displayed on the display screen or a portion thereof.

The appearance of the animated graphical user interface transitions sequentially between the images shown in FIGS. 1-35. The process or period in which one image transitions to another forms no part of the claimed design.

The dashed broken lines showing the display screen form no part of the claimed design. The remaining broken lines showing portions of the graphical user interface form no part of the claimed design.

1 Claim, 35 Drawing Sheets

(58) **Field of Classification Search**

CPC G06F 3/48; G06F 3/0481; G06F 3/04812; G06F 3/04815; G06F 3/04817; G06F 3/0482; G06F 3/0483; G06F 3/0484; G06F 3/04842; G06F 3/04845; G06F 3/04847; G06F 3/0485; G06F 3/0486; G06F 3/0487; G06F 3/0488; G06F 3/04883; G06F 3/04886

See application file for complete search history.

(56) **References Cited**

U.S. PATENT DOCUMENTS

D645,469	S	*	9/2011	Gardner	D14/488
D649,557	S	*	11/2011	Duchene	D14/488
D650,807	S	*	12/2011	Impas	D14/495
D681,052	S	*	4/2013	Woo	D14/492
D727,359	S	*	4/2015	Myung	D14/495
D730,405	S	*	5/2015	Yu	D14/495
D735,754	S	*	8/2015	Chaudhri	D14/488
D736,817	S	*	8/2015	Trabona	D14/487
D742,920	S	*	11/2015	Yu	D14/495
D748,132	S	*	1/2016	Omiya	D14/487
D748,148	S	*	1/2016	Lee	D14/495
D759,063	S	*	6/2016	Chen	D14/486
D779,511	S	*	2/2017	Yang	D14/485
D796,551	S	*	9/2017	Park	D14/495
D803,878	S	*	11/2017	Lin	D14/489
D819,659	S	*	6/2018	Wada	D14/485
D824,956	S	*	8/2018	Foss	D14/488
D826,269	S	*	8/2018	Llorca	D14/491
D834,063	S	*	11/2018	Stray	D14/491
D870,750	S	*	12/2019	Kim	D14/485
D875,134	S	*	2/2020	Hong	D14/489
D877,162	S	*	3/2020	Hanson	D14/485
D877,776	S	*	3/2020	Jang	D14/492
2020/0093361	A1	*	3/2020	Jackson	A61B 3/0075

OTHER PUBLICATIONS

Stopwatch icon—Gorski, https://www.iconfinder.com/icons/2867651/stoper_stopwatch_time_watch_counting_icon (Year: 2018).*

Welcome to the future of AMD—Aop, <https://www.aop.org.uk/ot/industry/equipment-and-suppliers/2020/03/09/welcome-to-the-future-of-amd> (Year: 2020).*

* cited by examiner

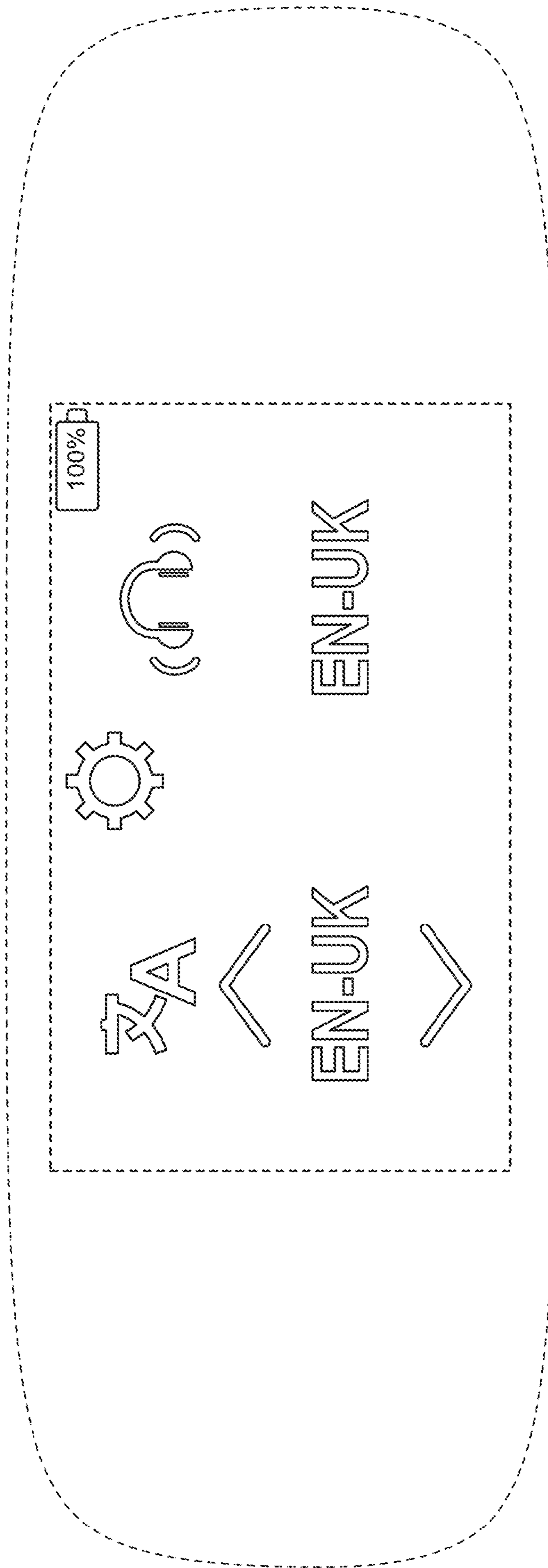


FIG. 1

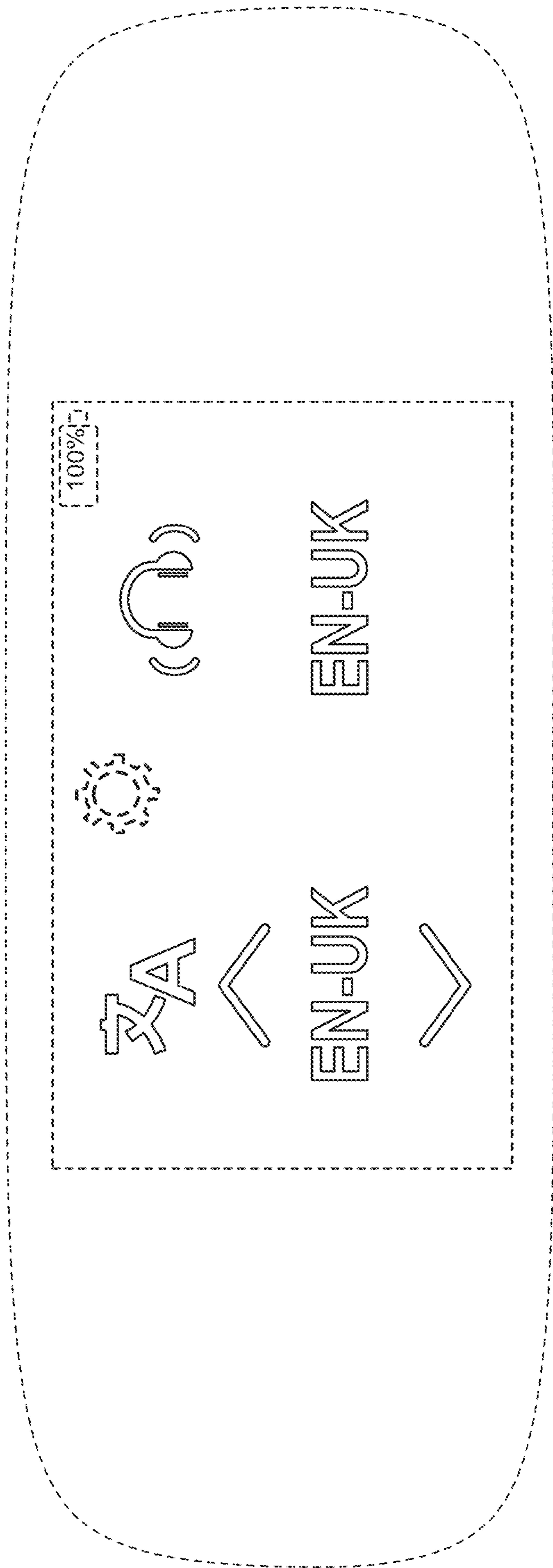


FIG. 2

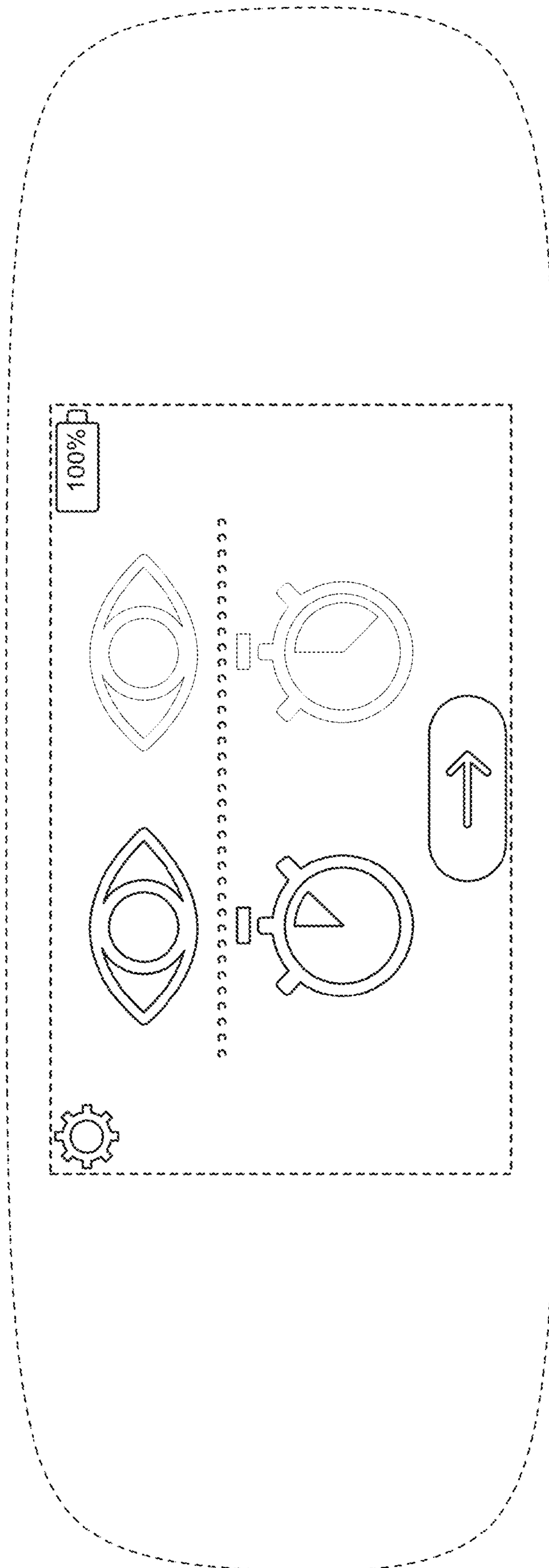


FIG. 3

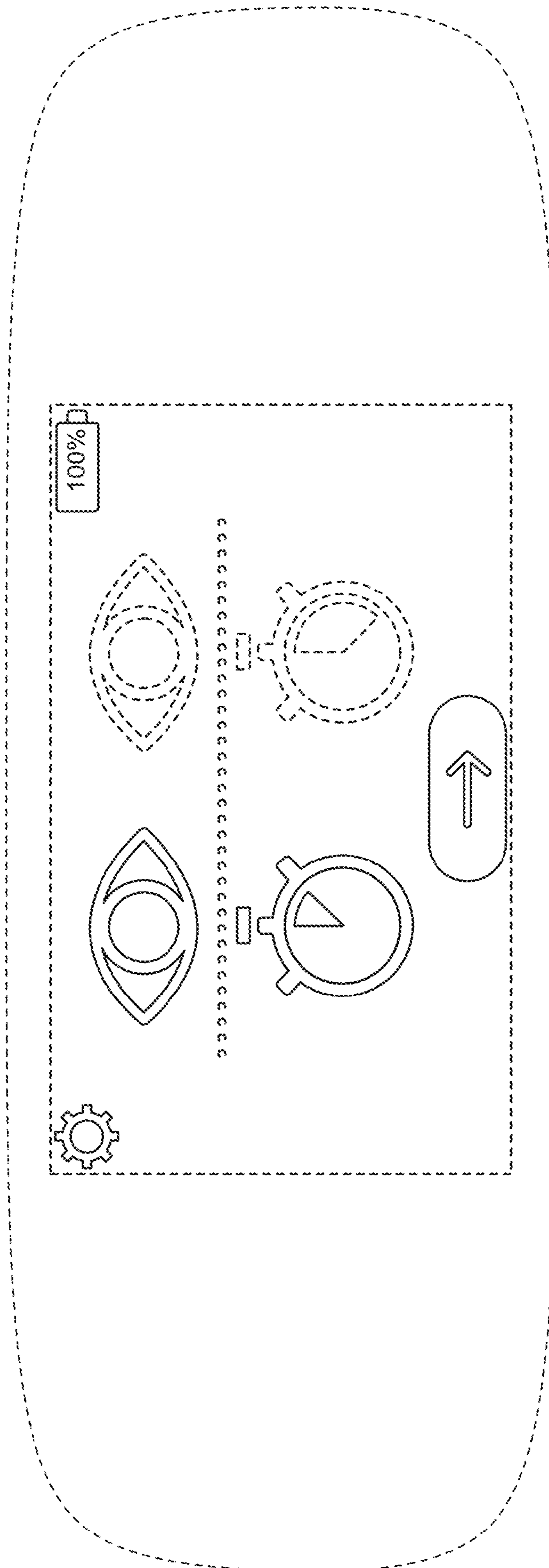


FIG. 4

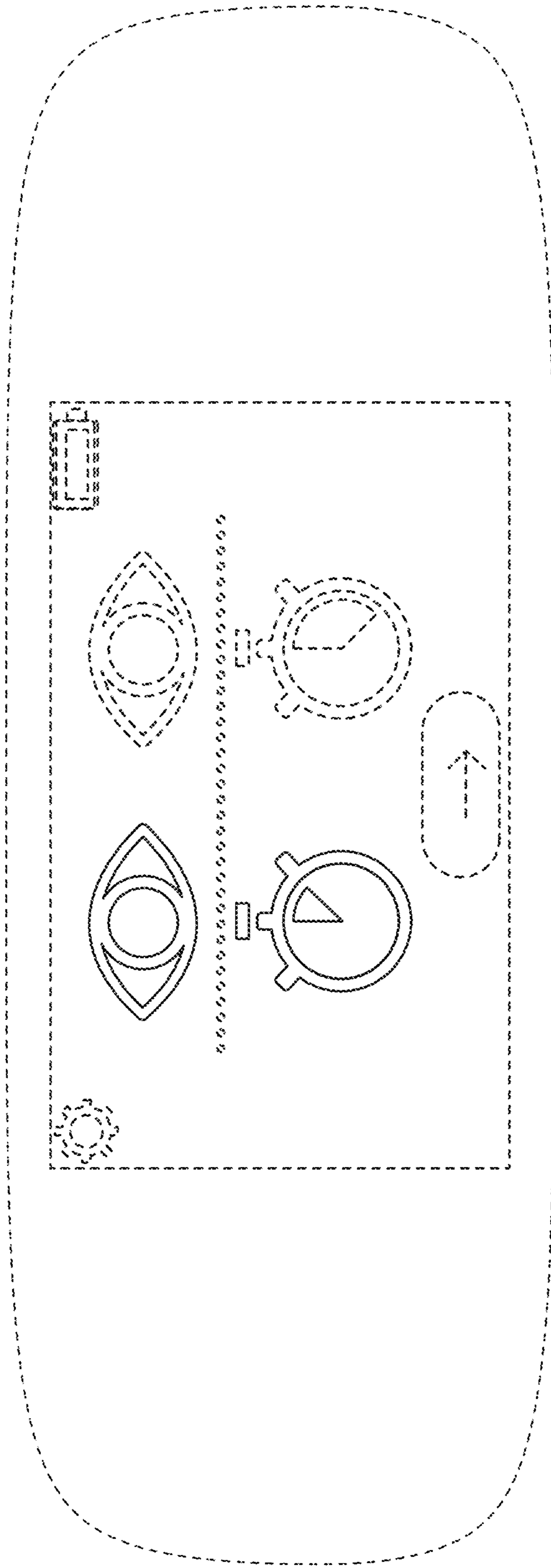


FIG. 5

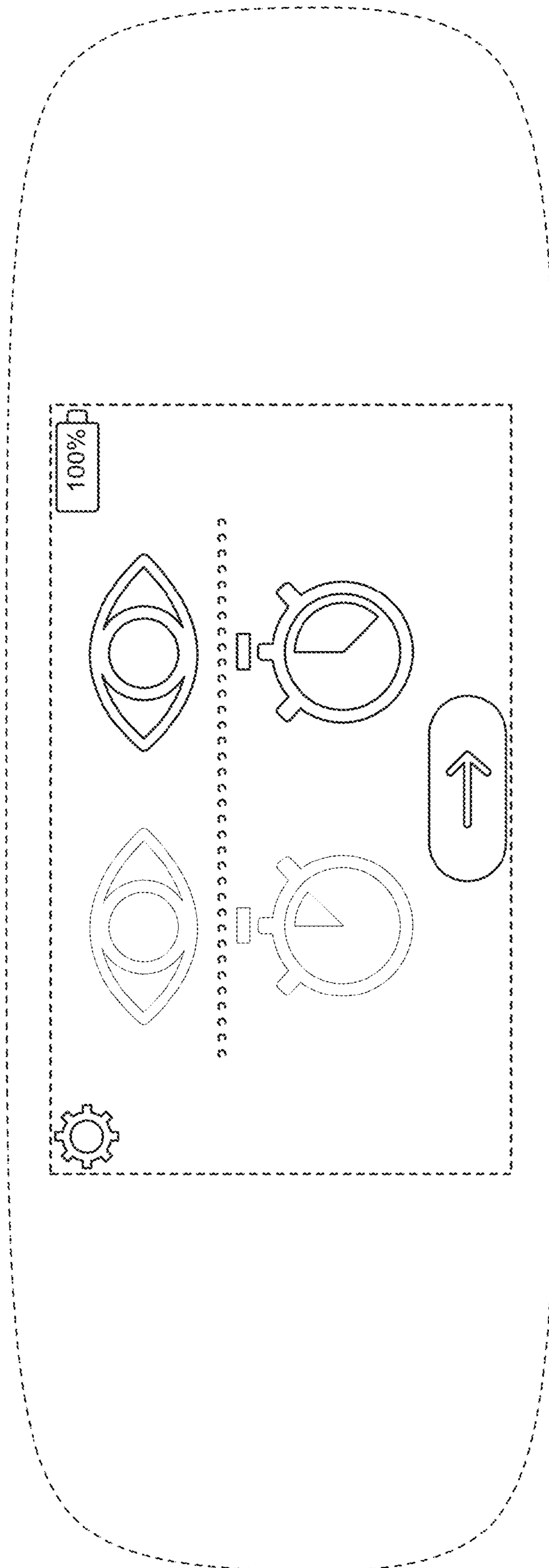


FIG. 6

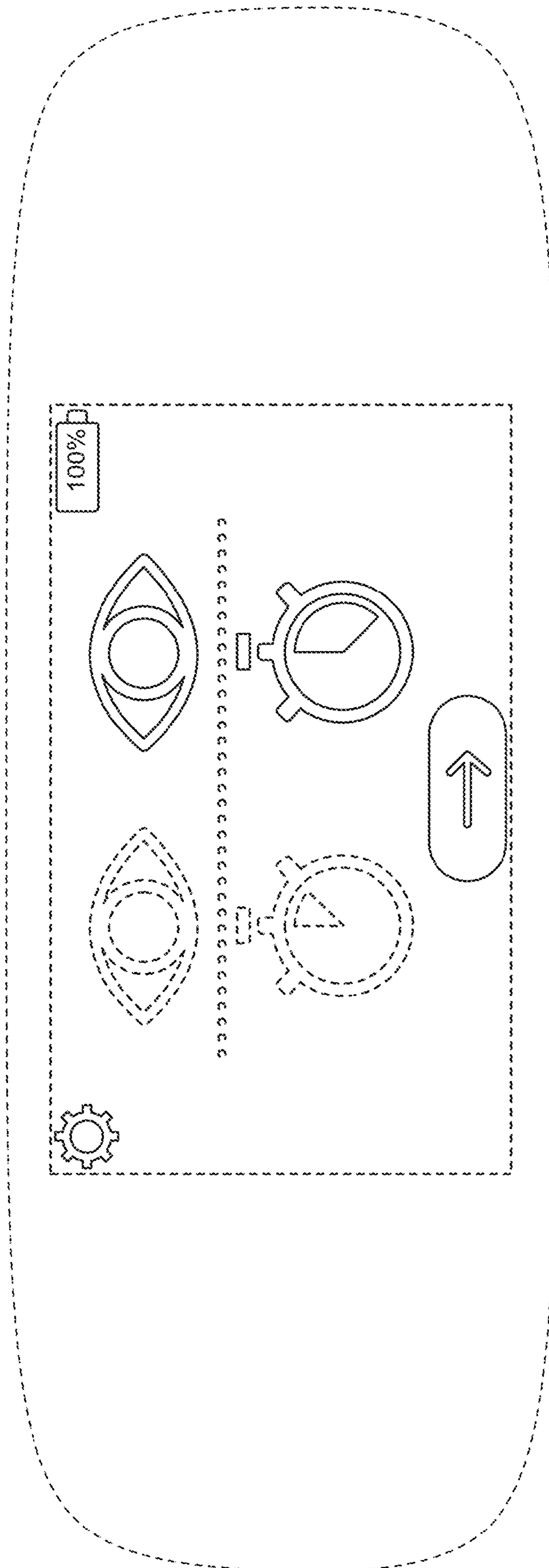


FIG. 7

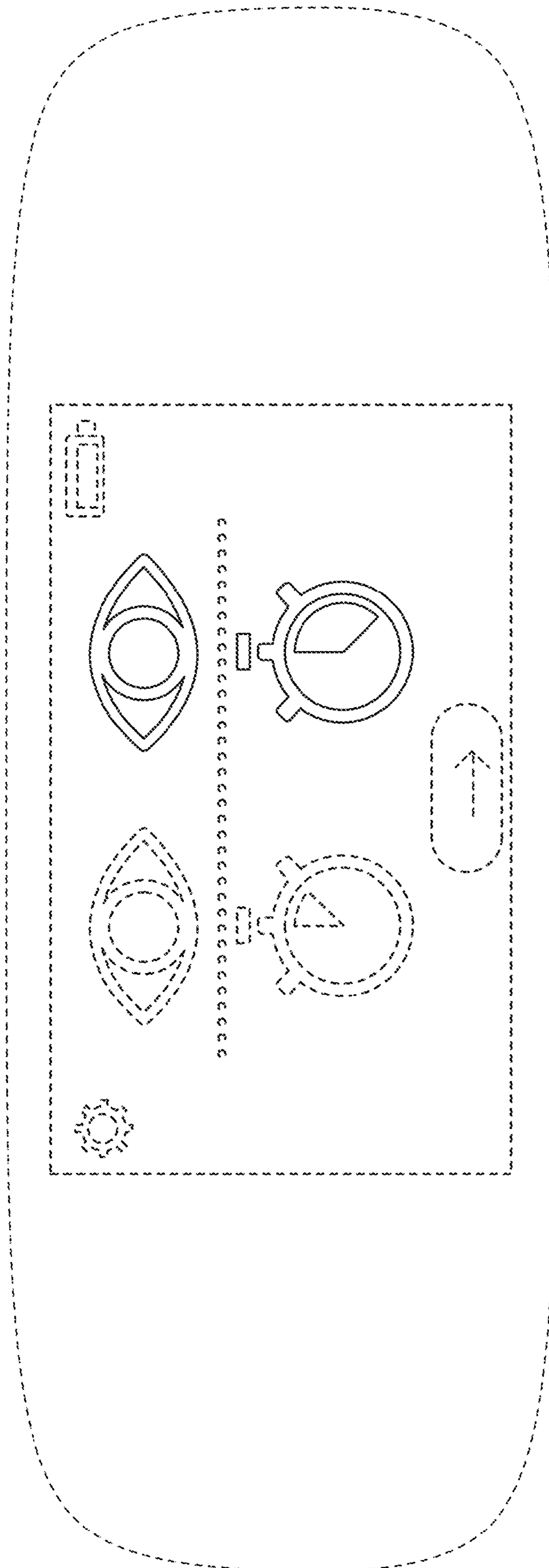


FIG. 8

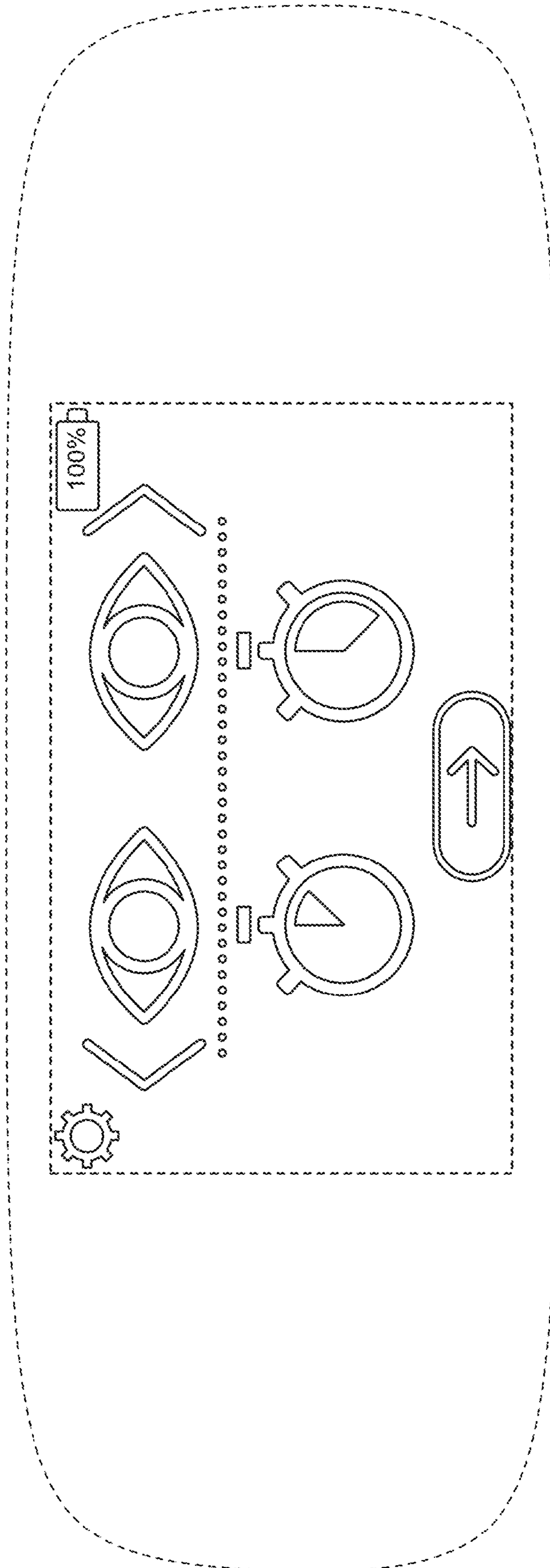


FIG. 9

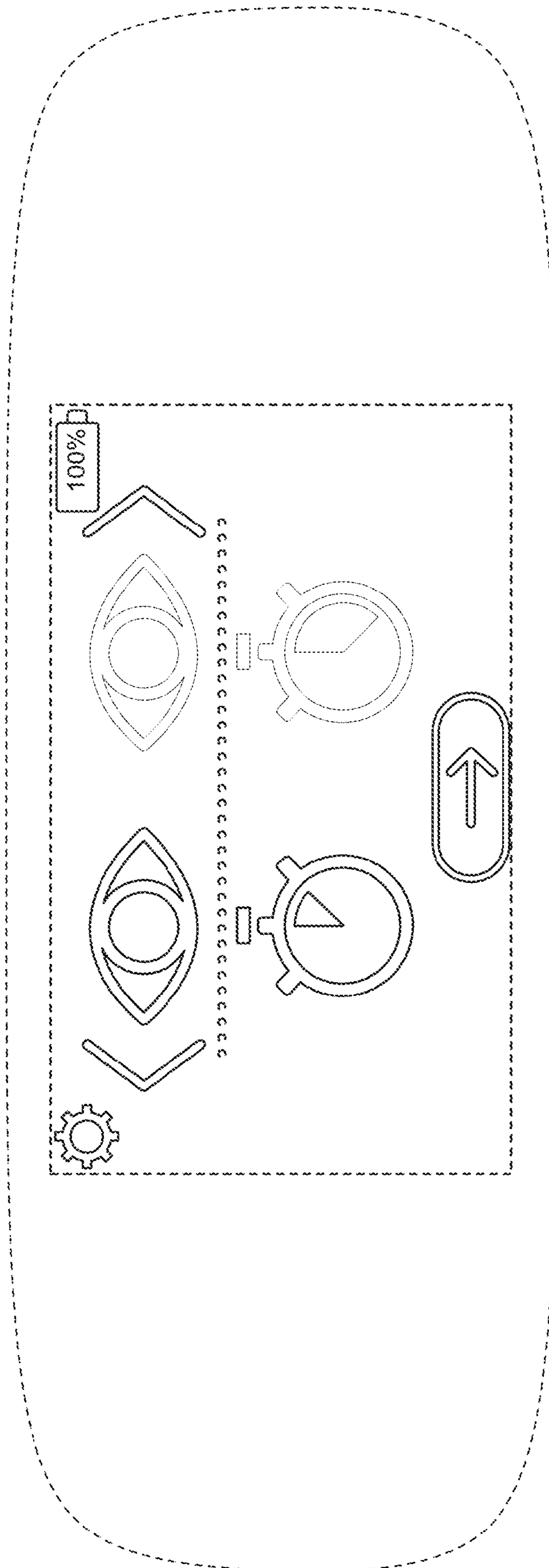


FIG. 10

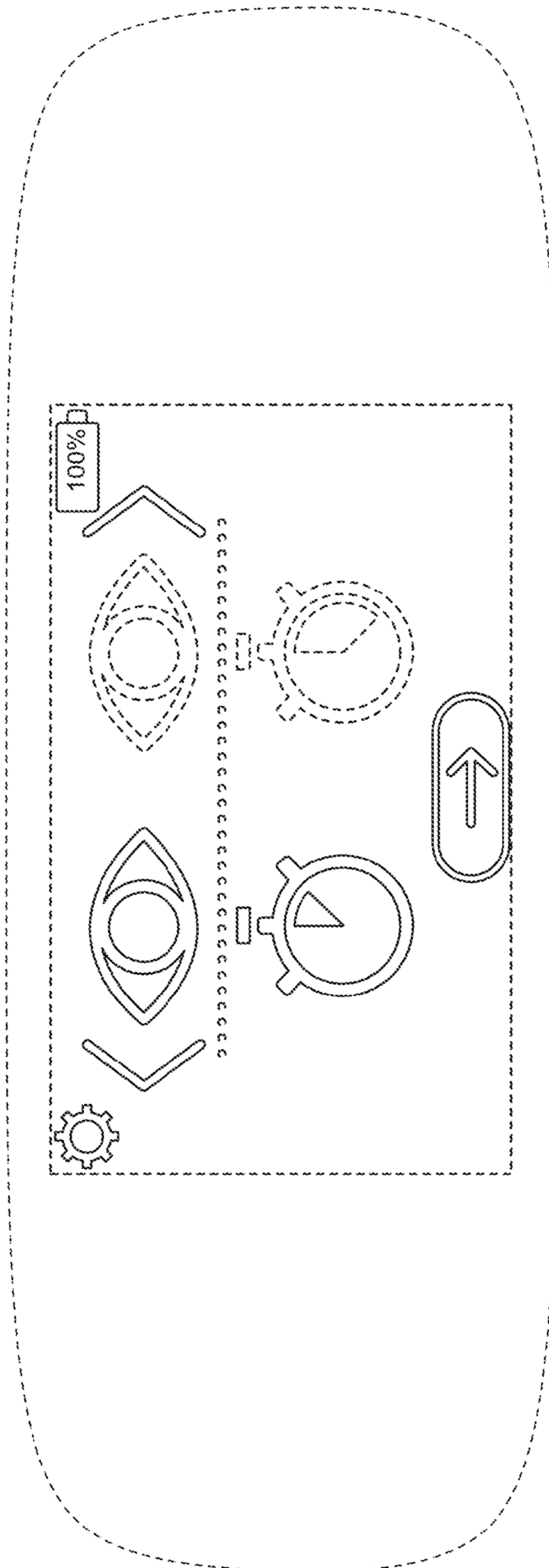


FIG. 11

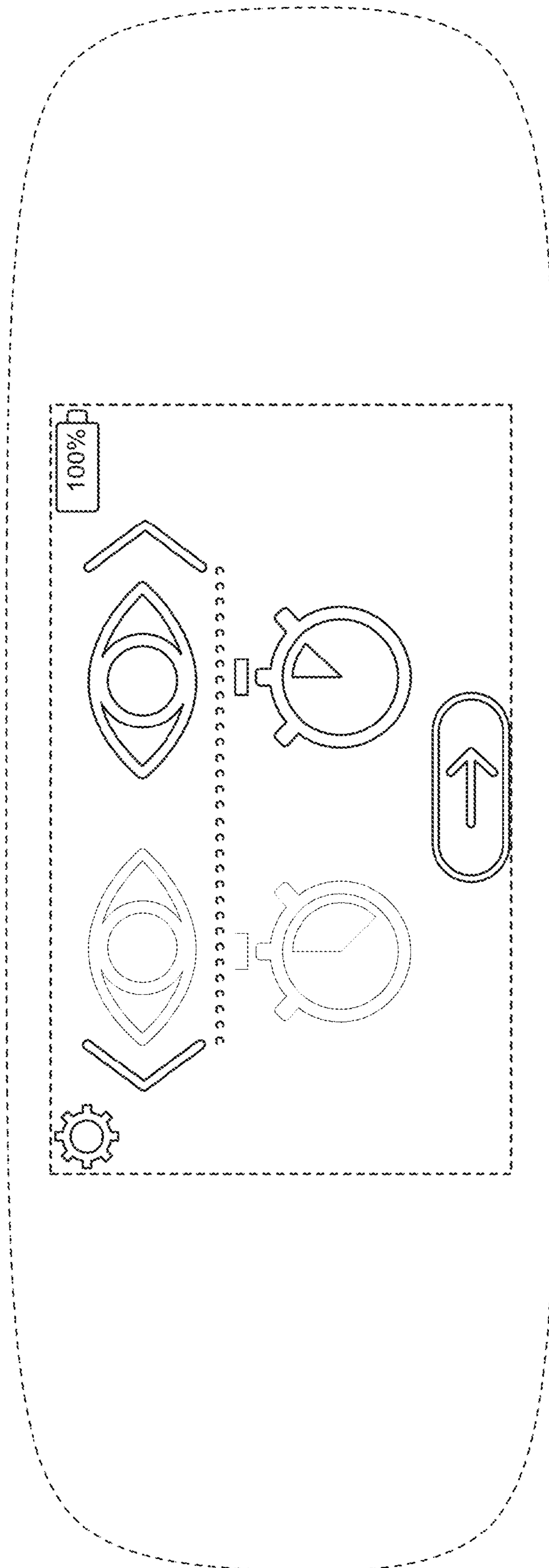


FIG. 12

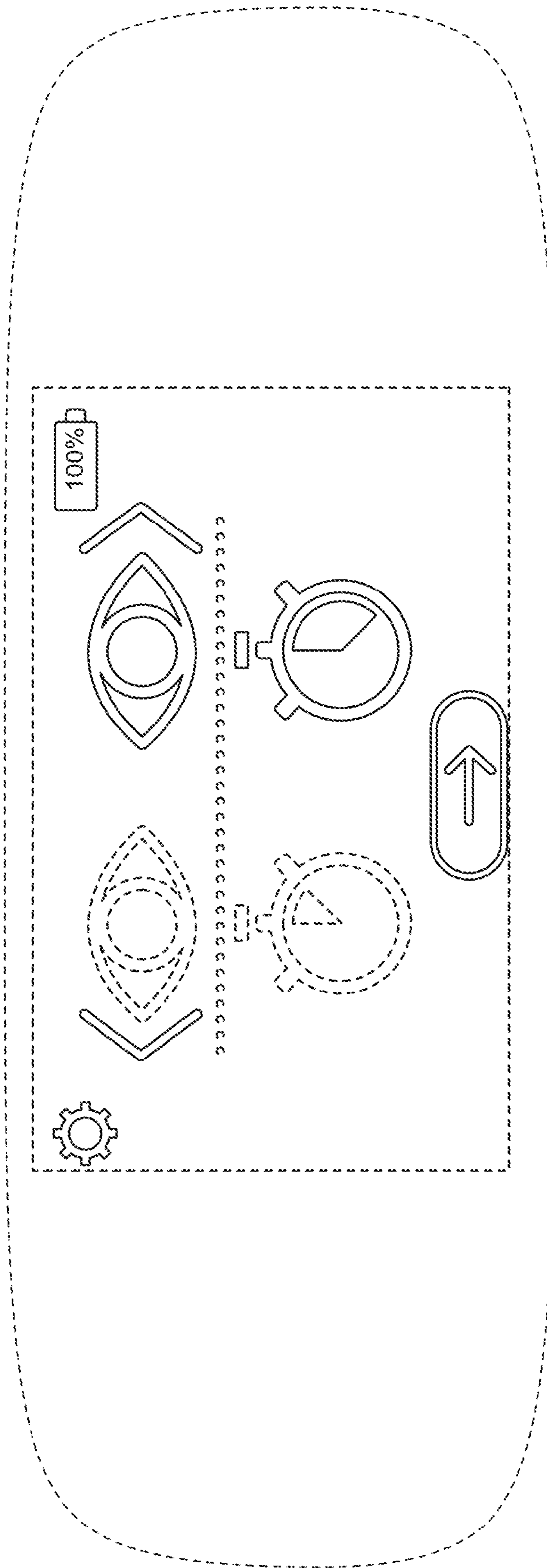


FIG. 13

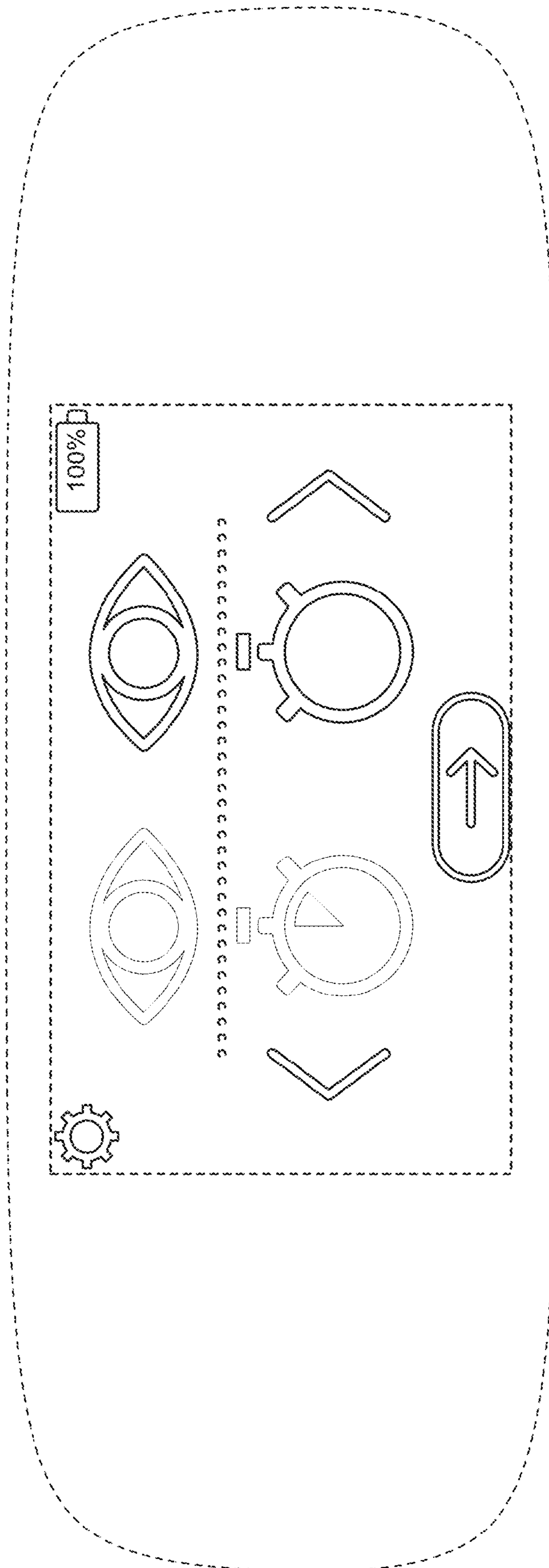


FIG. 14

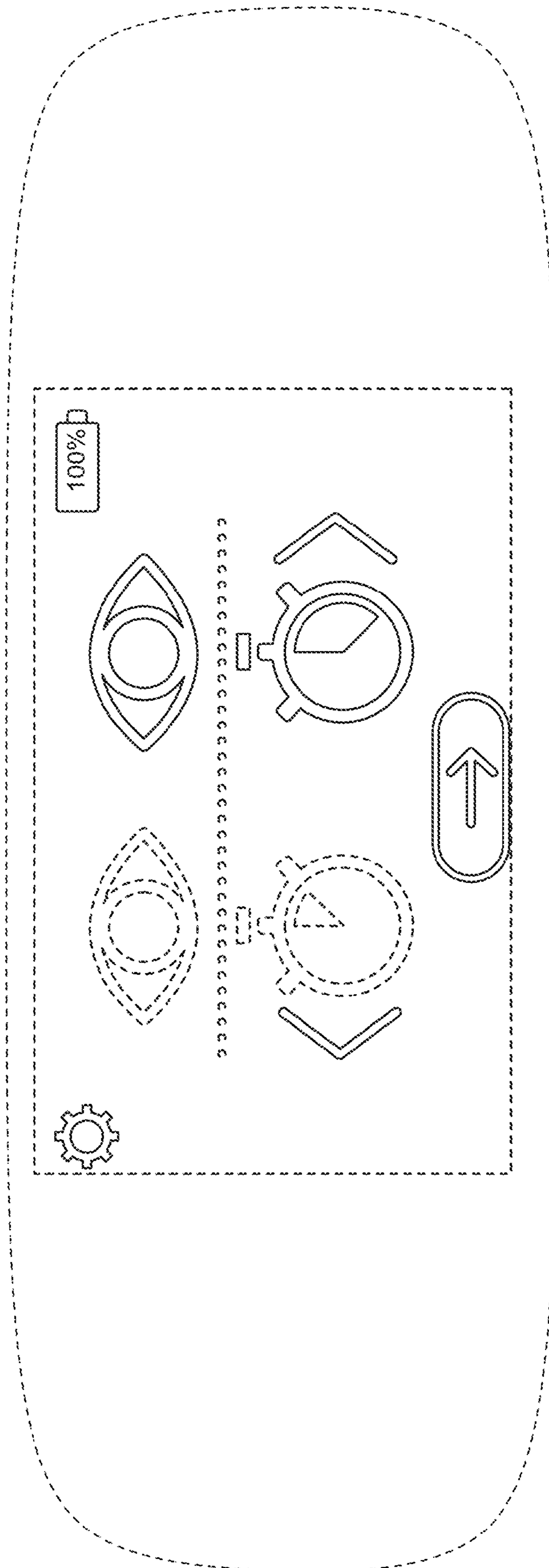


FIG. 15

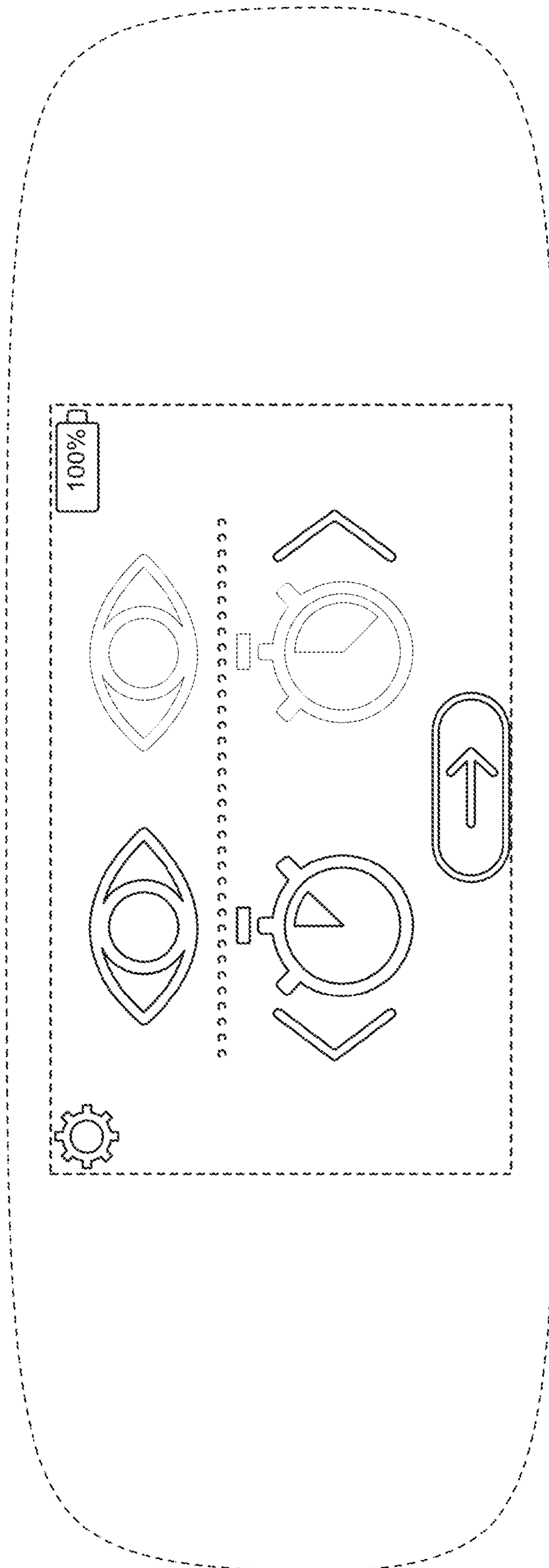


FIG. 16

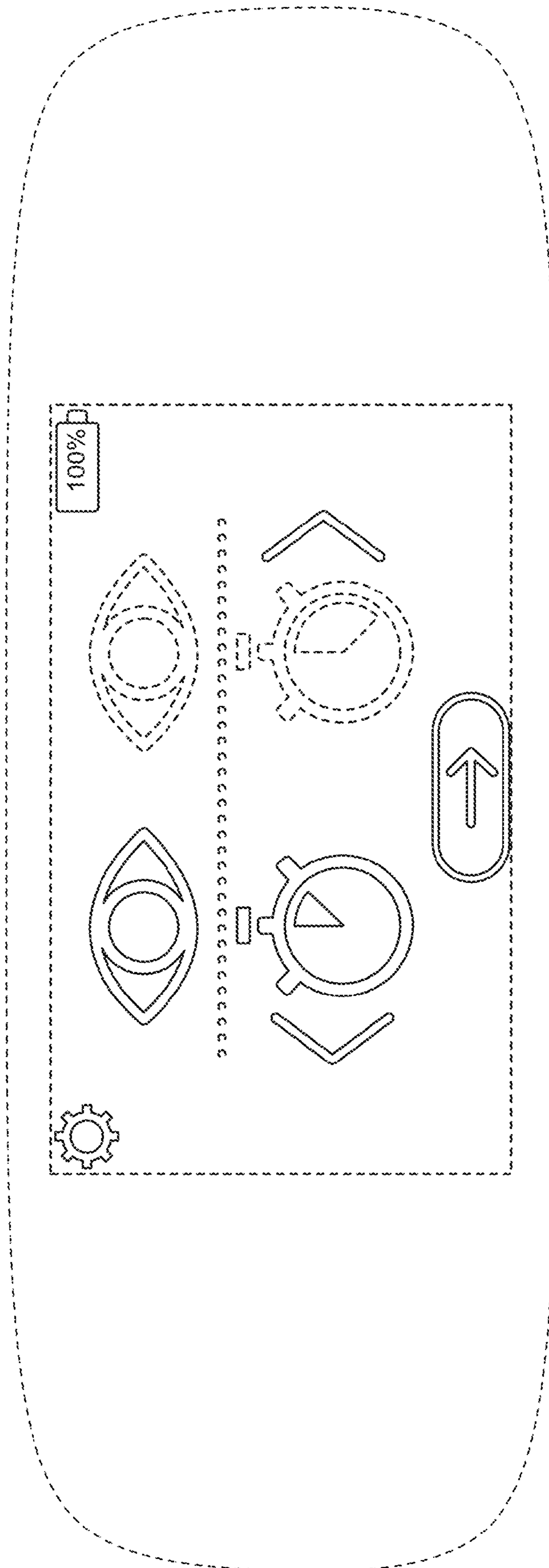


FIG. 17

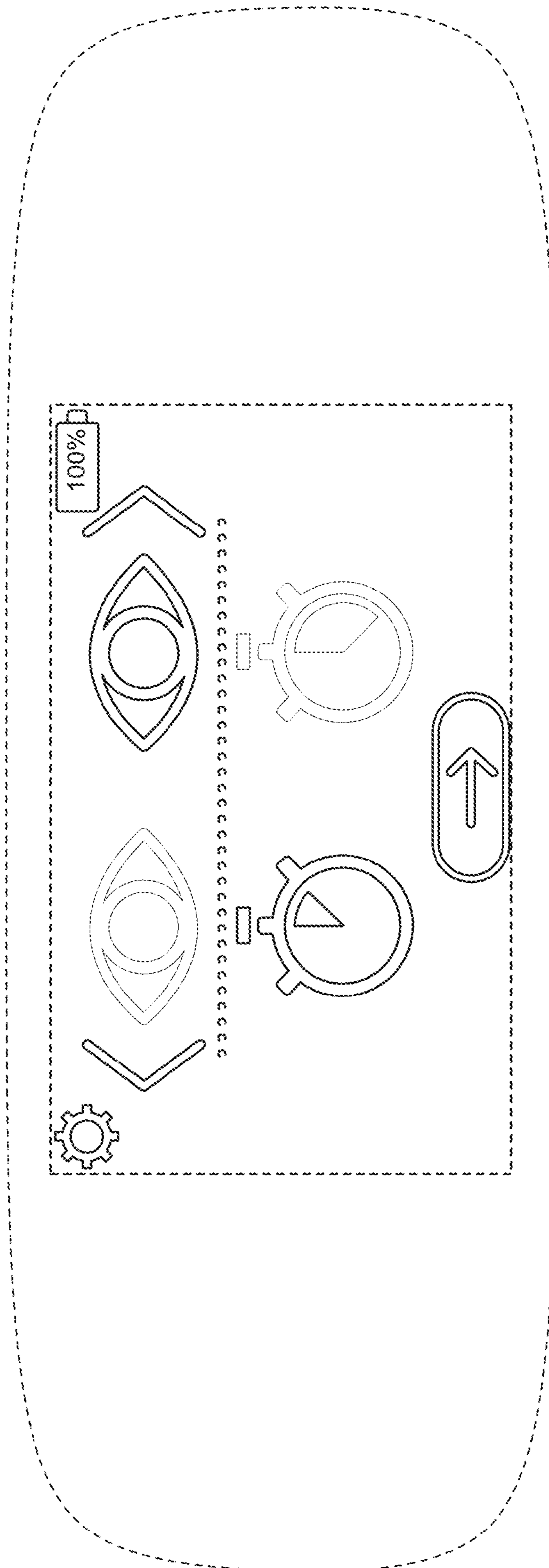


FIG. 18

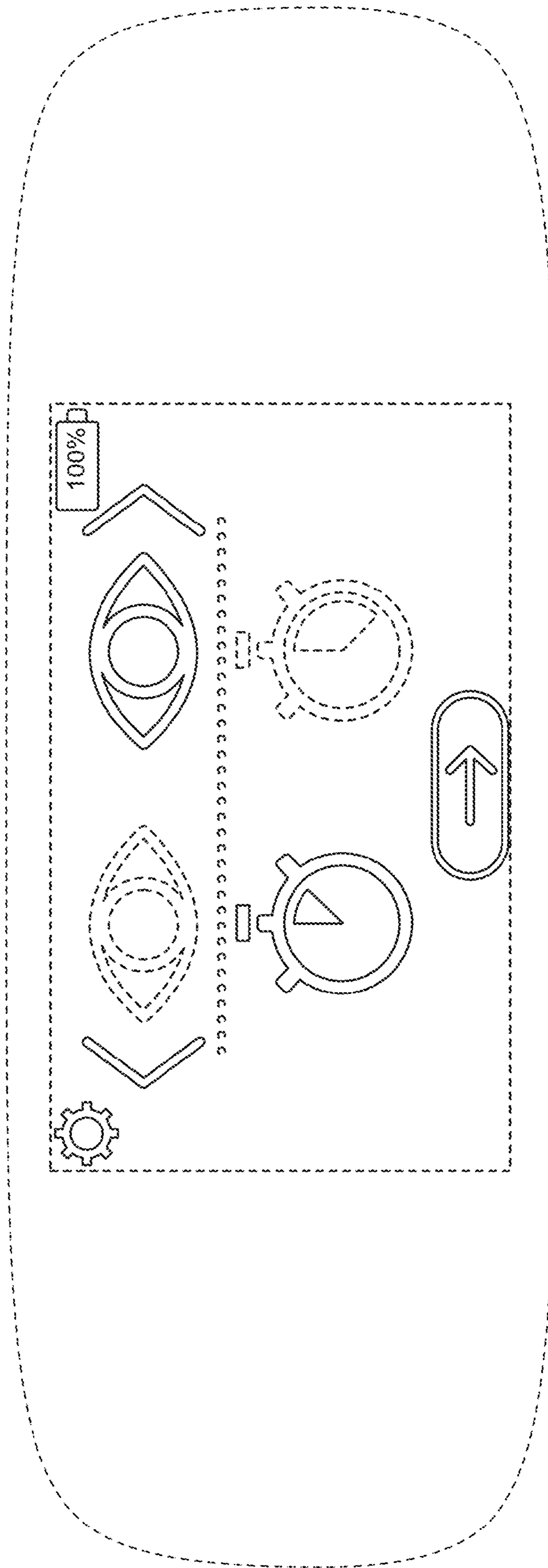


FIG. 19

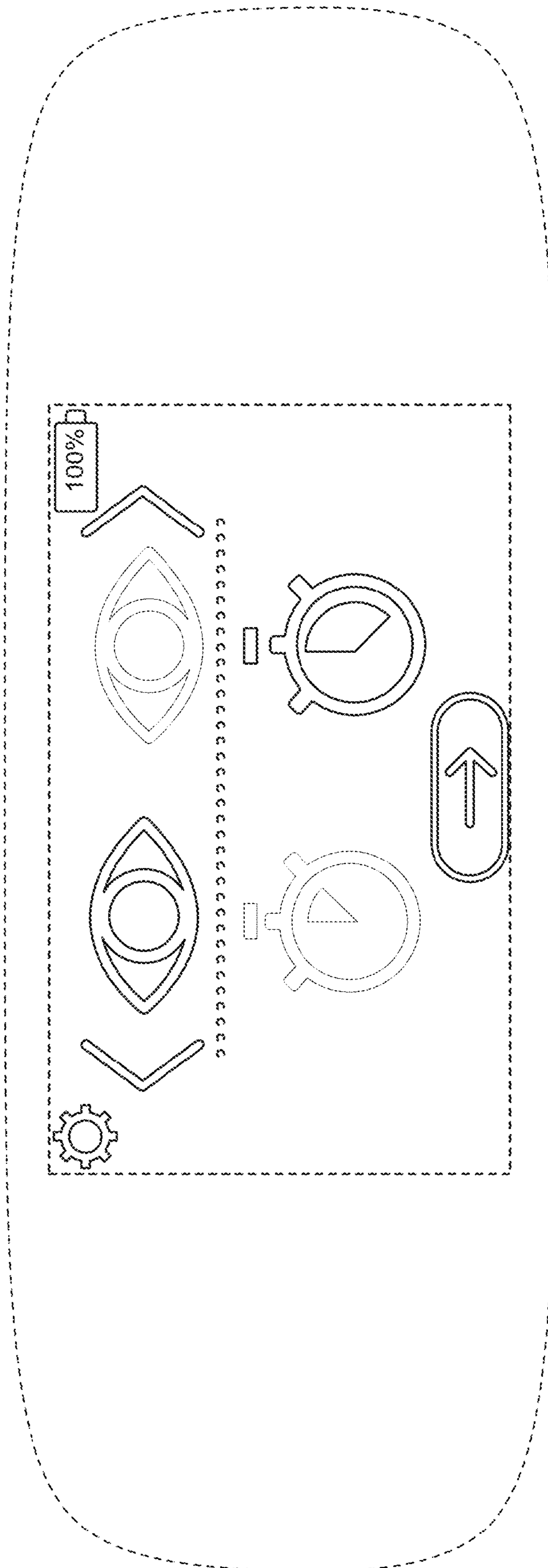


FIG. 20

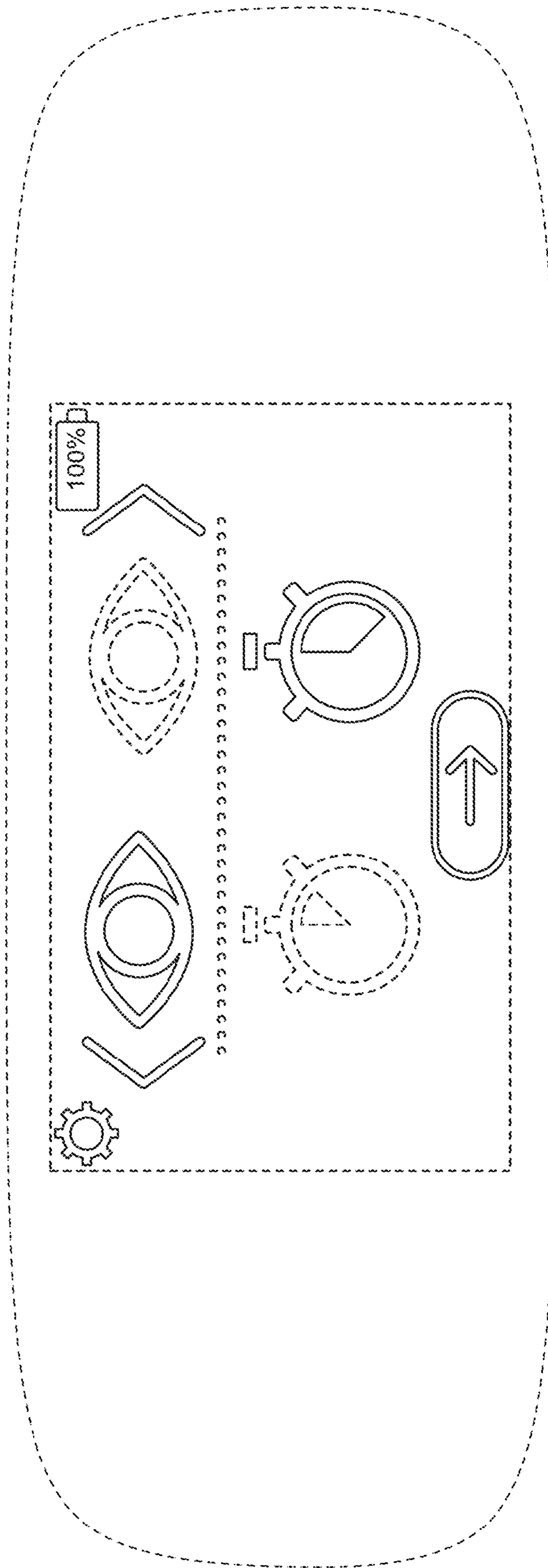


FIG. 21

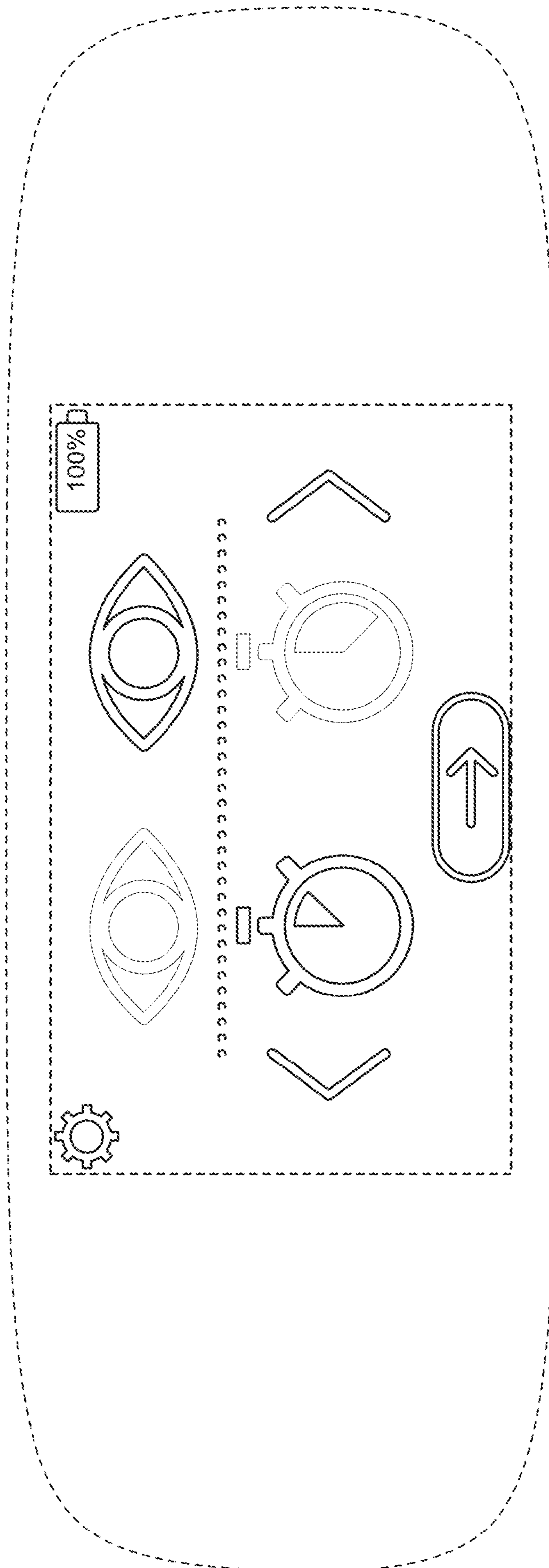


FIG. 22

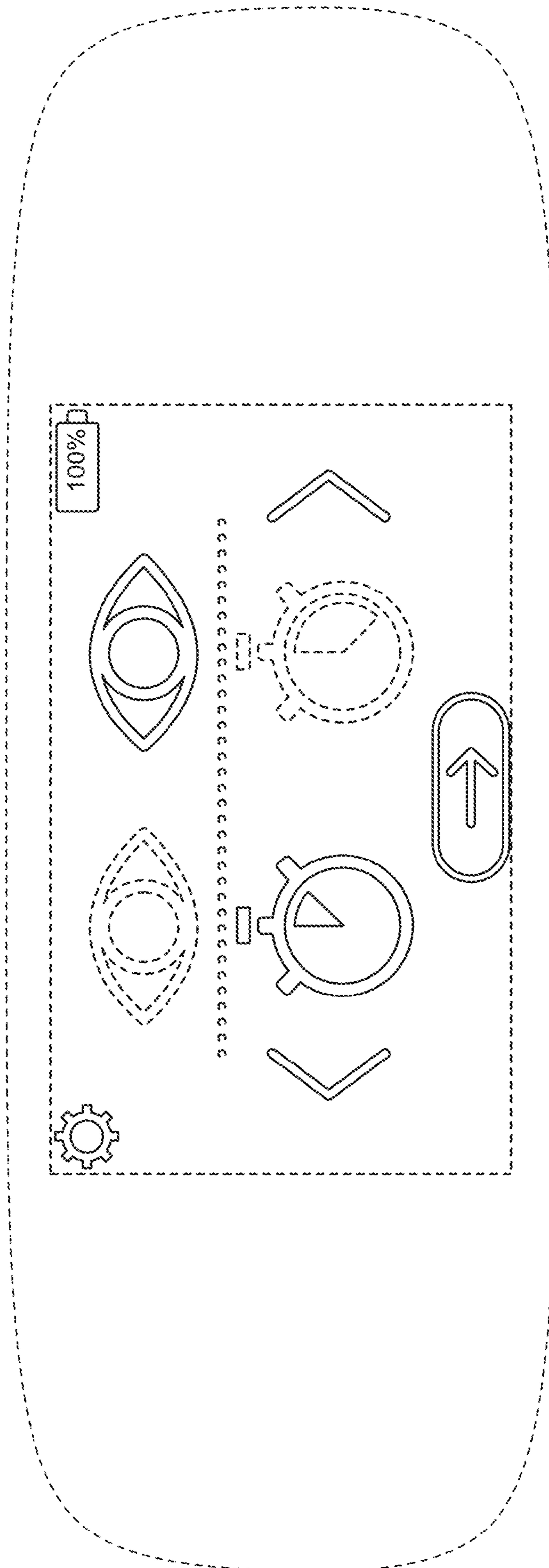


FIG. 23

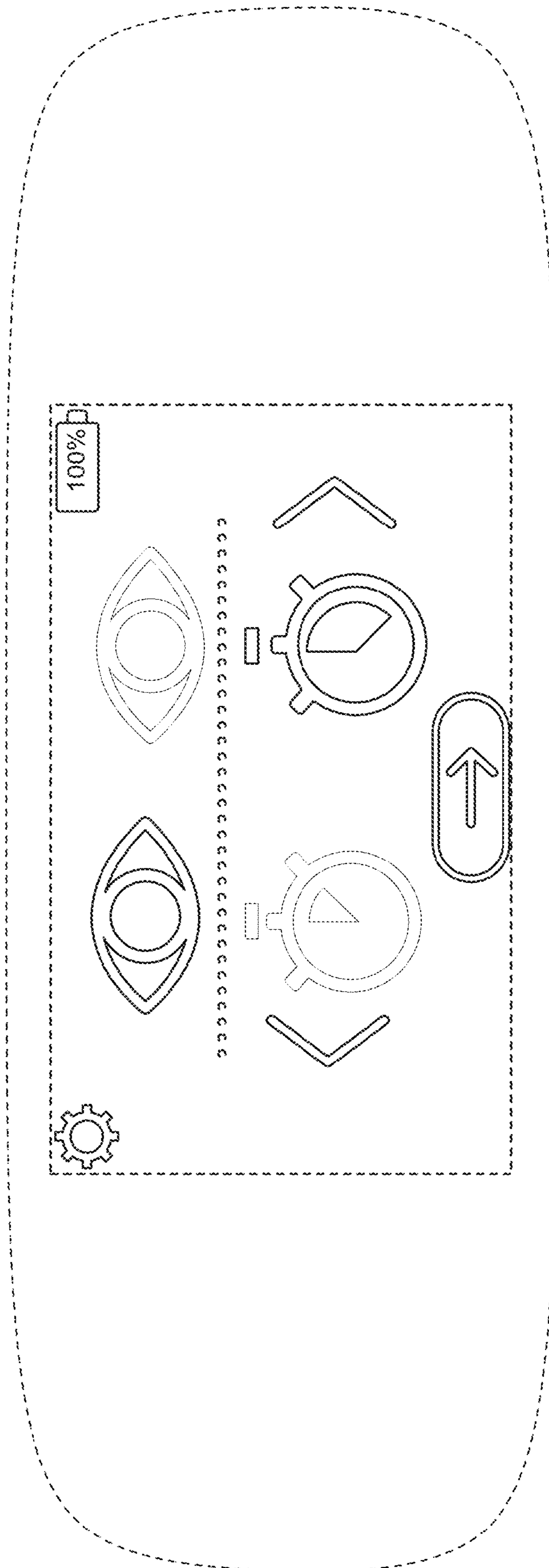


FIG. 24

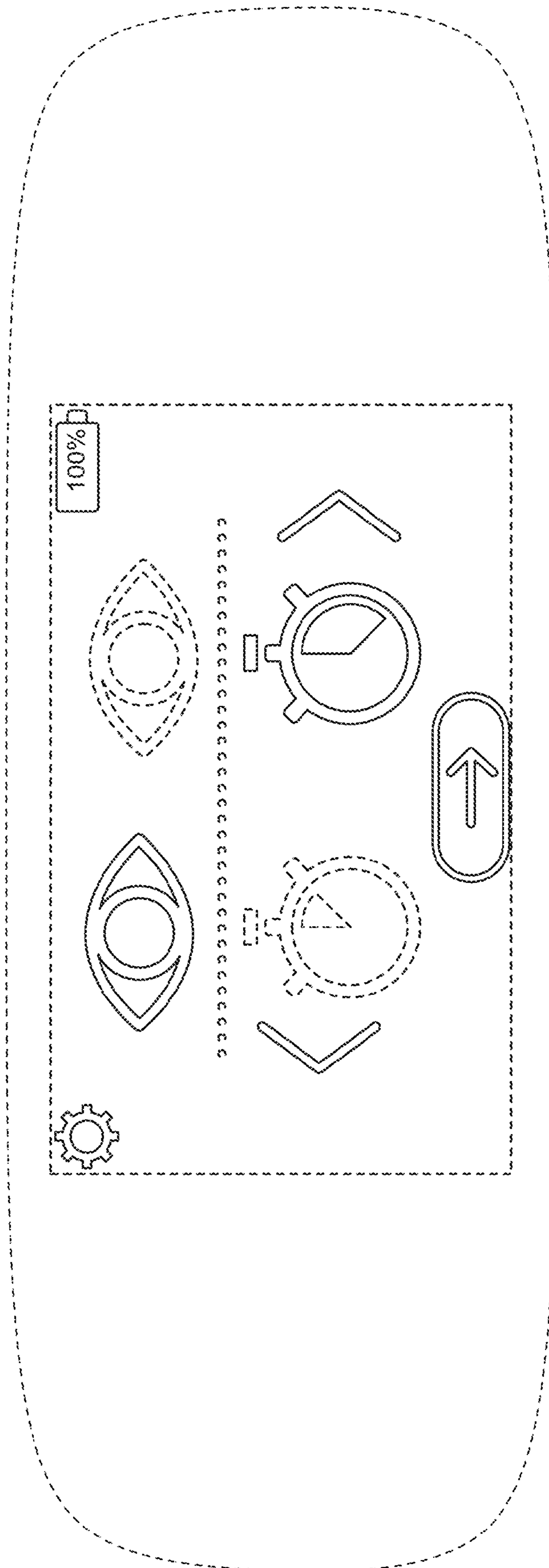


FIG. 25

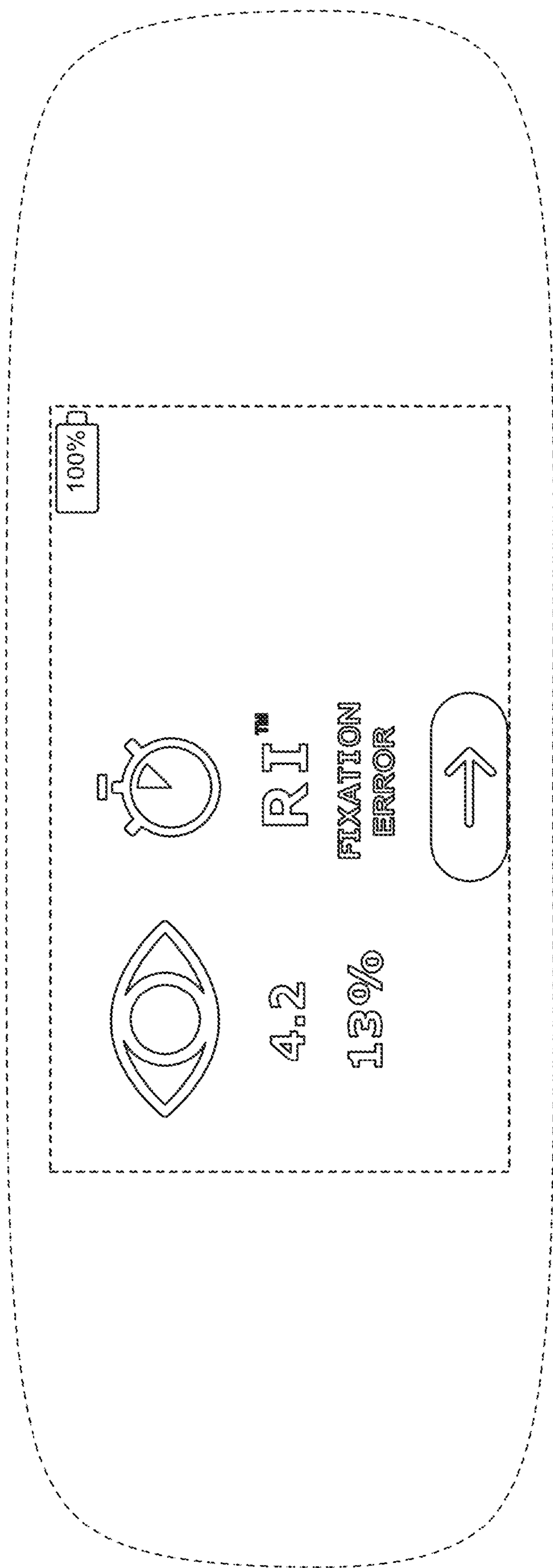


FIG. 26

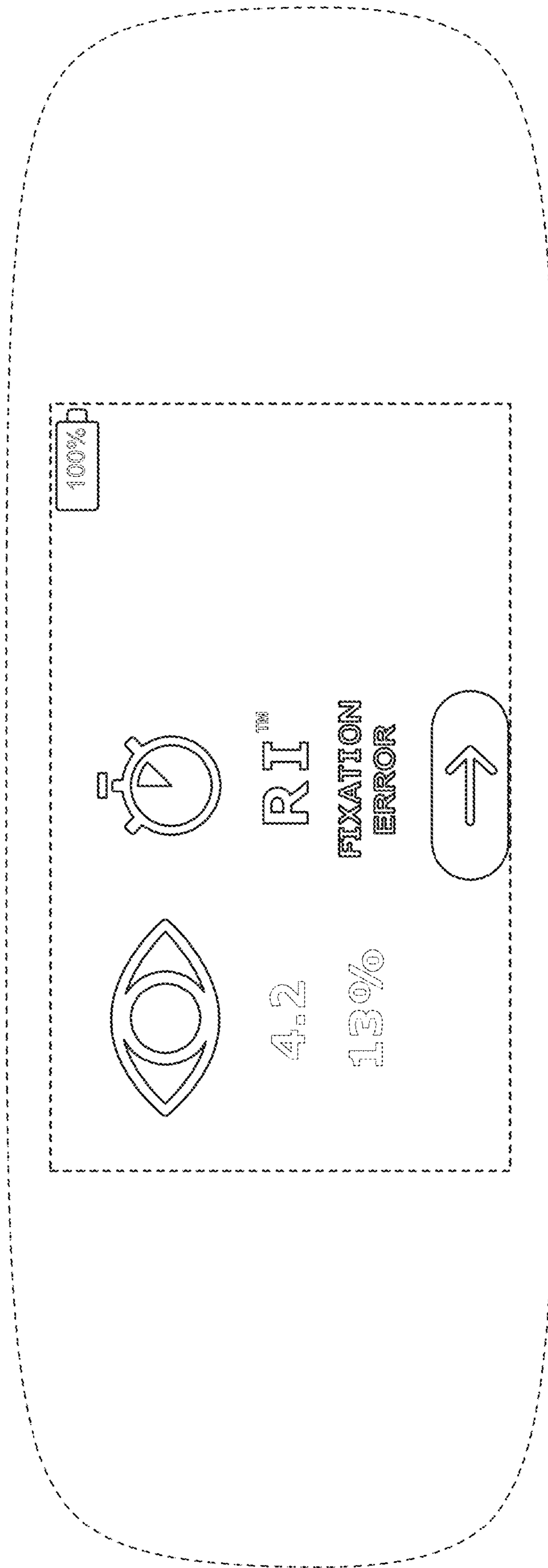


FIG. 27

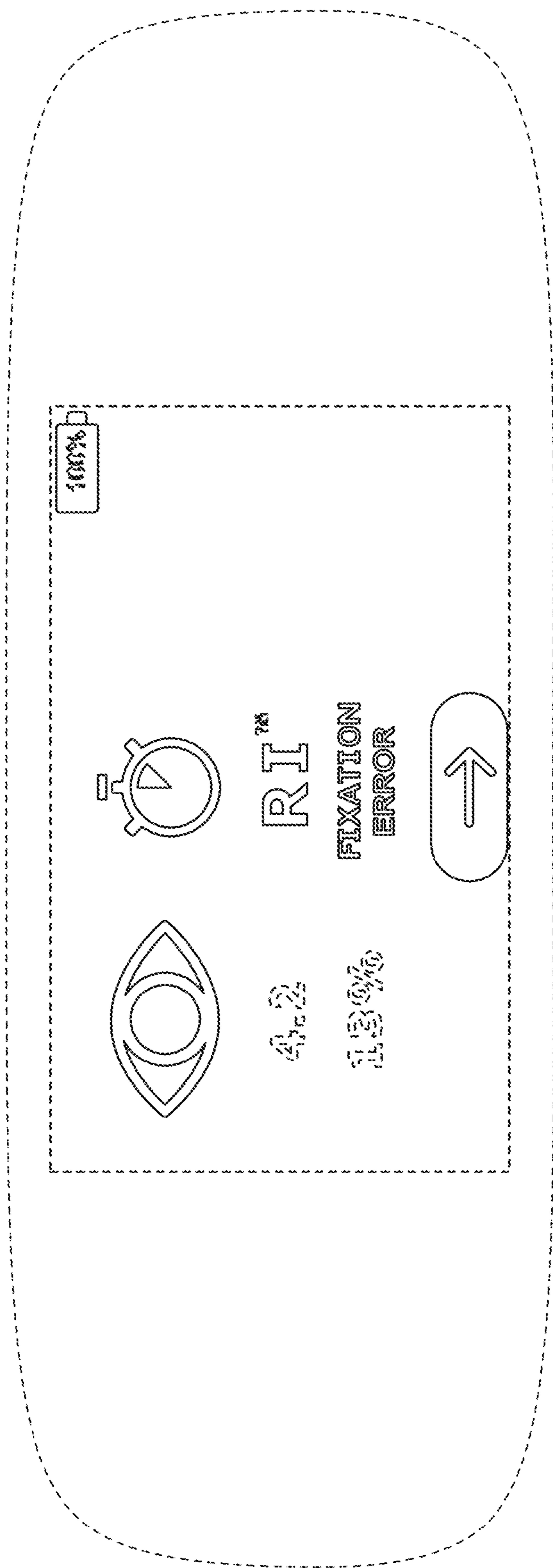


FIG. 28

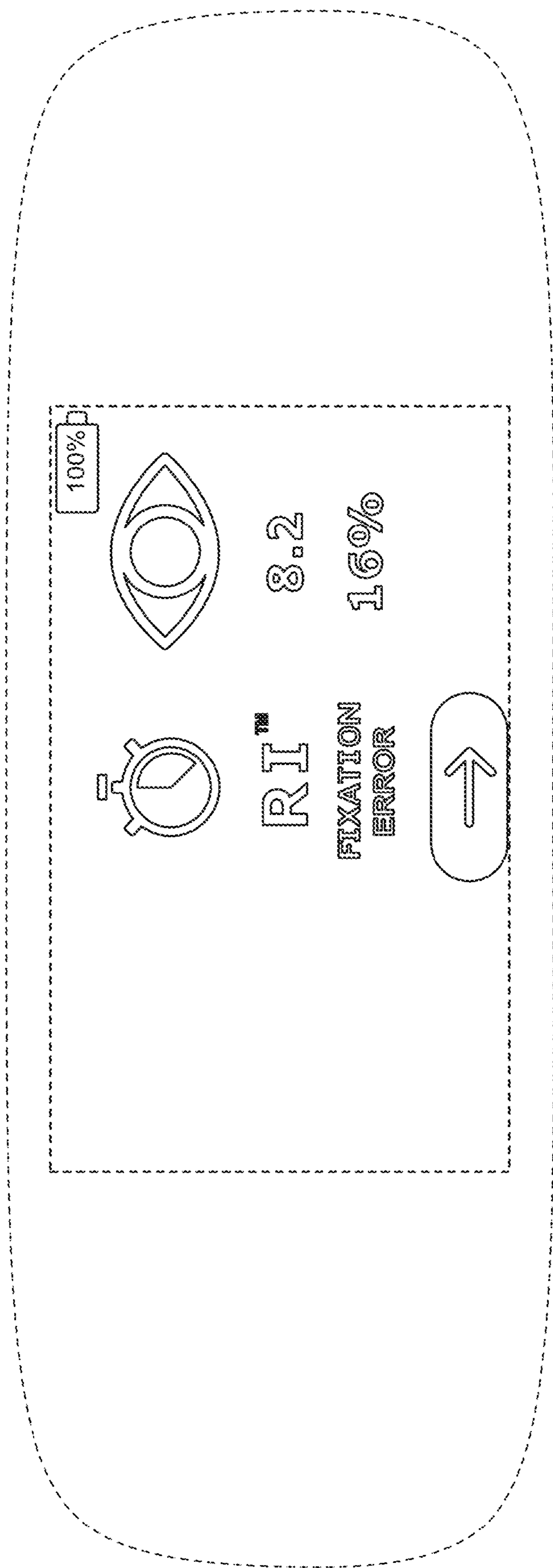


FIG. 29

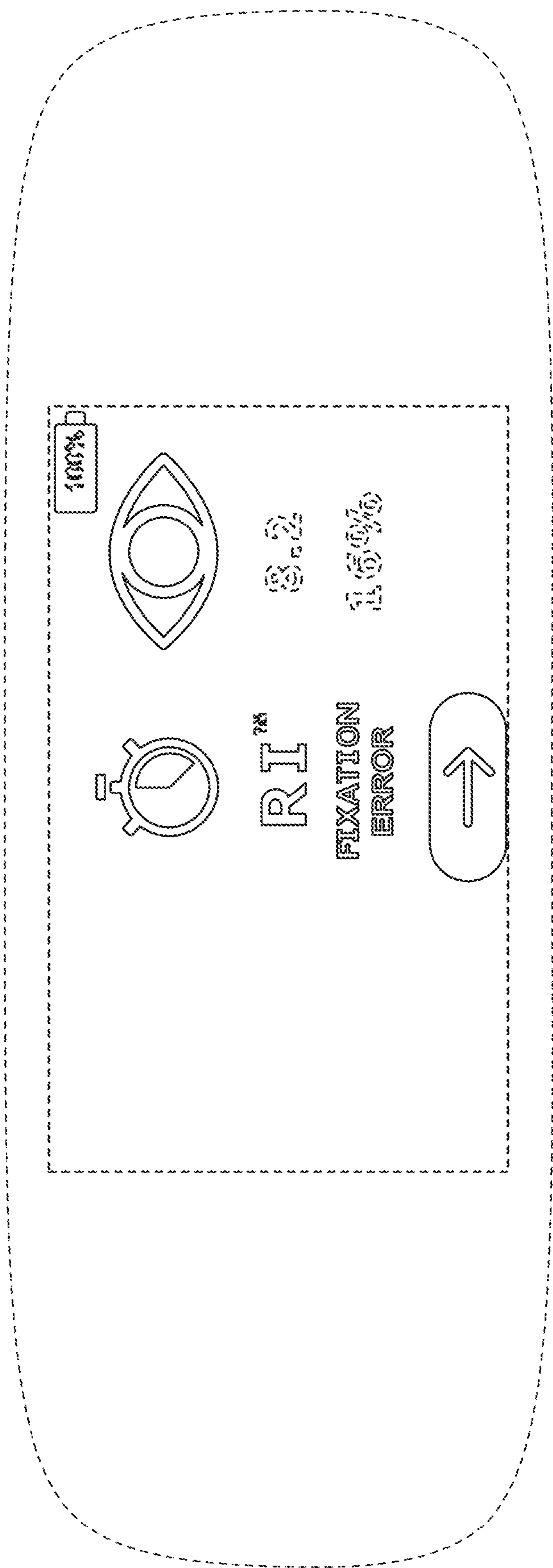


FIG. 30

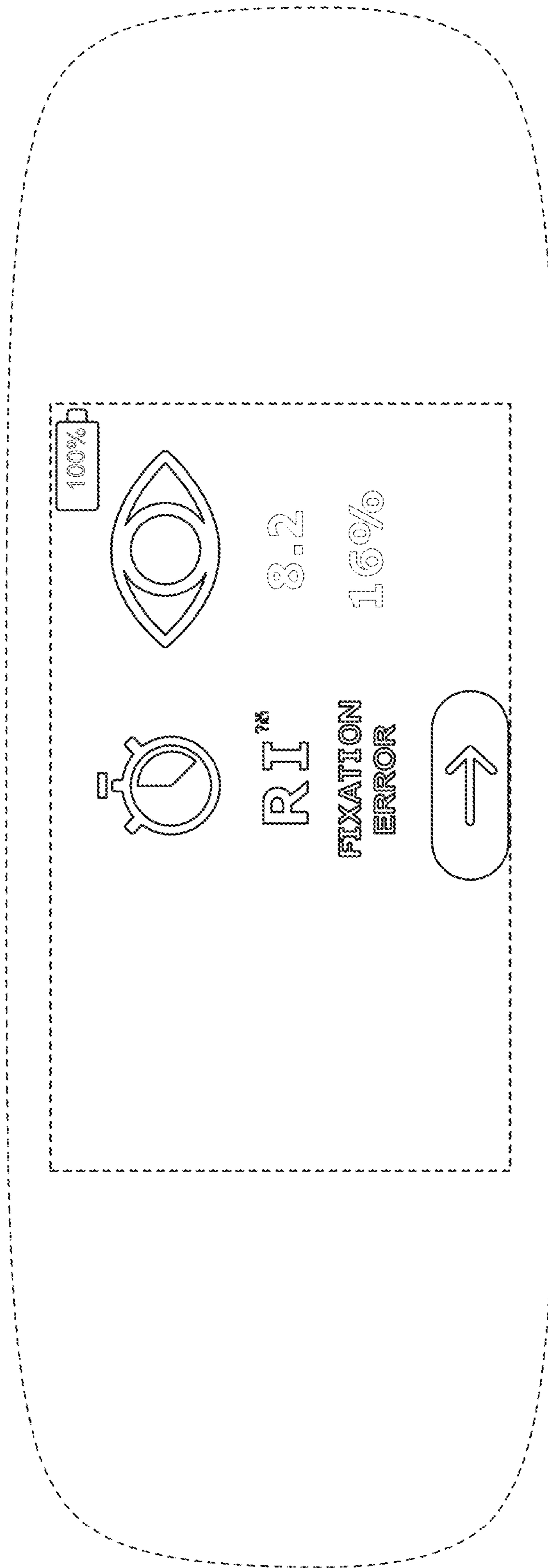


FIG. 31

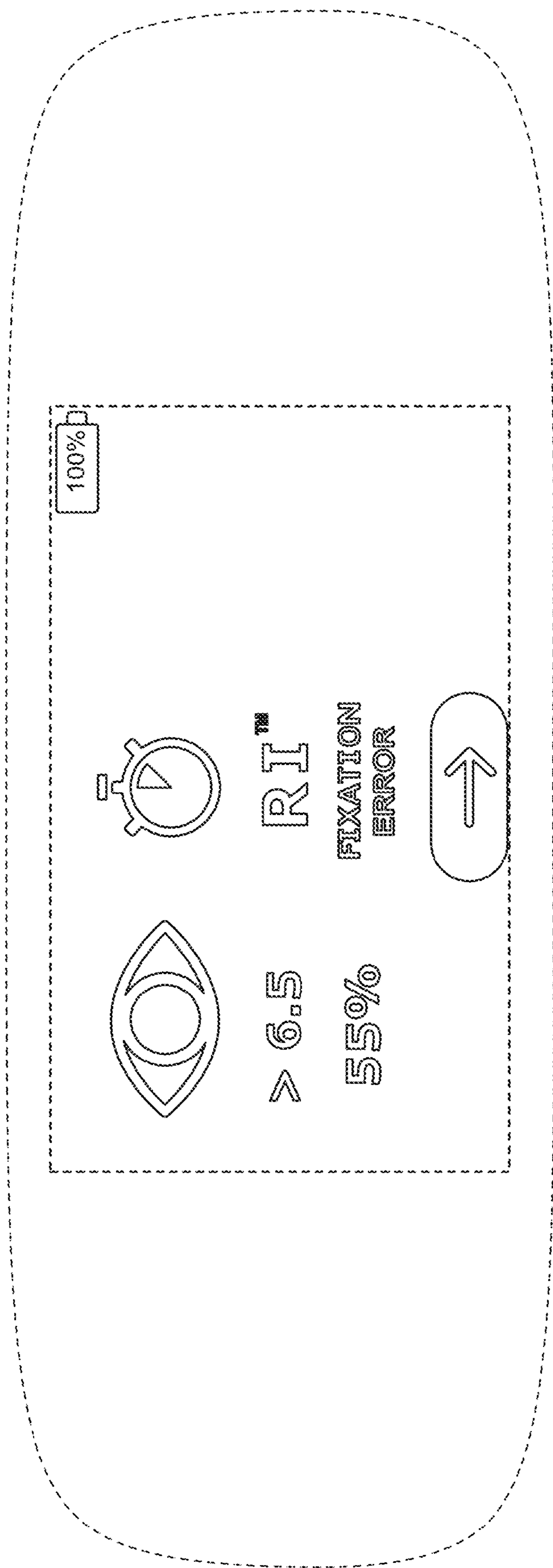


FIG. 32

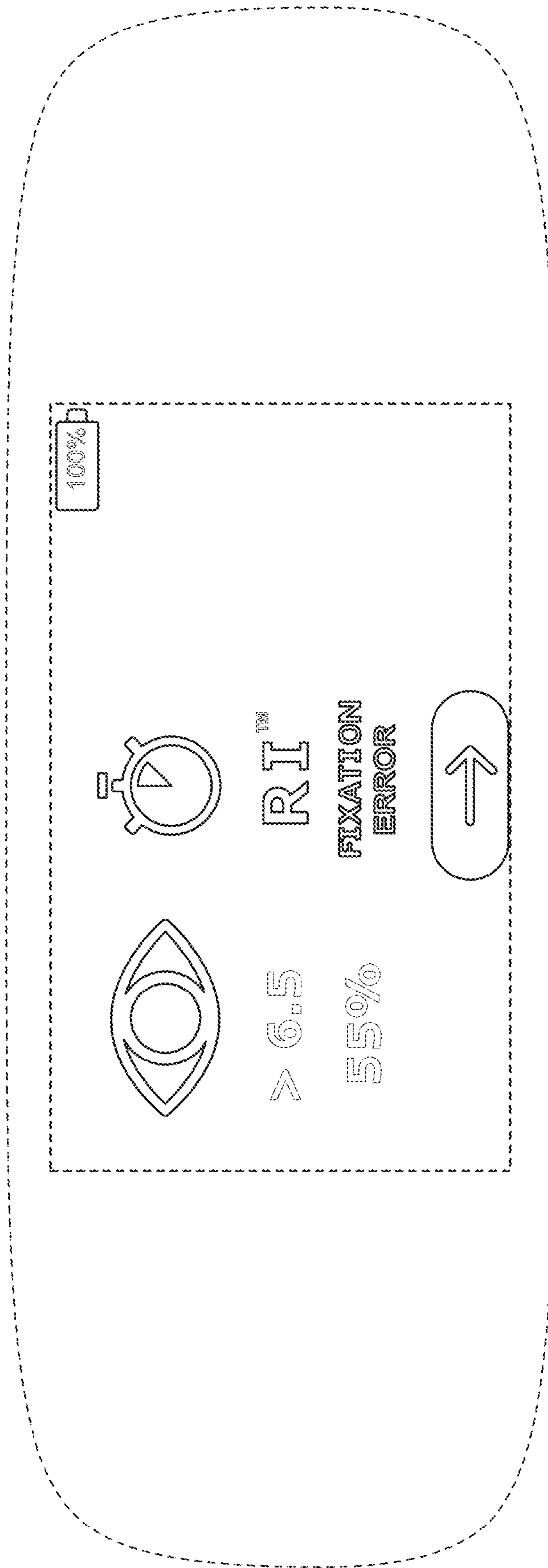


FIG. 33

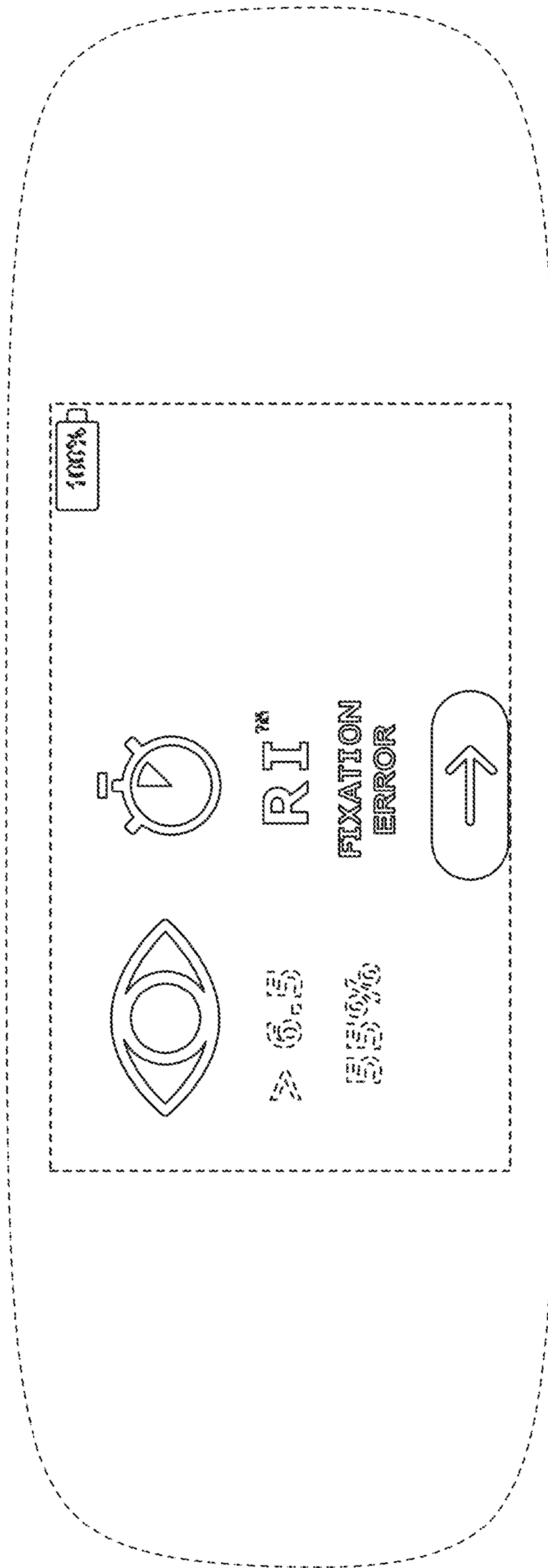


FIG. 34

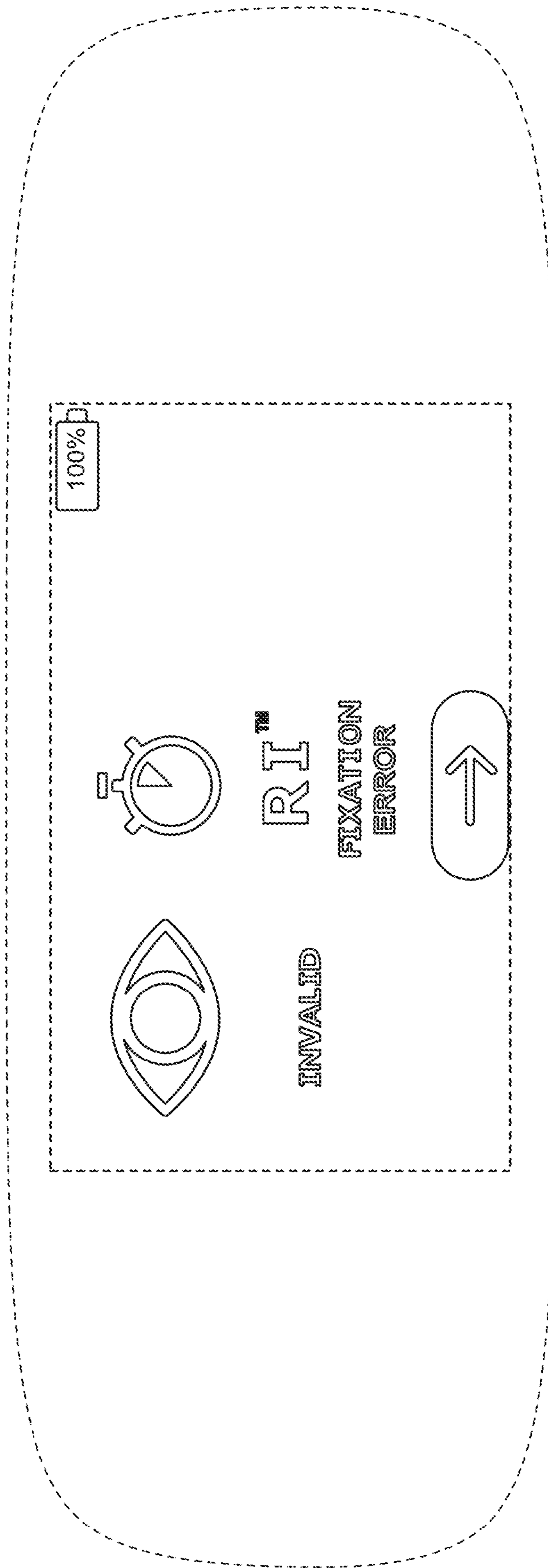


FIG. 35