



US00D962263S

(12) **United States Design Patent** (10) **Patent No.:** **US D962,263 S**
Takada et al. (45) **Date of Patent:** **** Aug. 30, 2022**

(54) **DISPLAY SCREEN WITH ANIMATED GRAPHICAL USER INTERFACE**

(71) Applicant: **BRIDGESTONE CORPORATION**, Tokyo (JP)

(72) Inventors: **Hiroshi Takada**, Tokyo (JP); **Hitomi Hanazawa**, Tokyo (JP)

(73) Assignee: **BRIDGESTONE CORPORATION**, Tokyo (JP)

(**) Term: **15 Years**

(21) Appl. No.: **29/769,953**

(22) Filed: **Feb. 9, 2021**

(30) **Foreign Application Priority Data**

Aug. 11, 2020 (JP) 2020-016842 D
Aug. 11, 2020 (JP) 2020-016843 D

(51) **LOC (13) Cl.** **14-04**

(52) **U.S. Cl.**
USPC **D14/485**

(58) **Field of Classification Search**
USPC D14/485-495; D22/109
(Continued)

(56) **References Cited**

U.S. PATENT DOCUMENTS

D542,879 S * 5/2007 Zaderey F41G 1/38
D22/108

D627,360 S * 11/2010 Aarseth D14/485
(Continued)

FOREIGN PATENT DOCUMENTS

JP 1475040 S 7/2013
JP 1576857 S 5/2017

(Continued)

OTHER PUBLICATIONS

HC2100401100, MAPPLUS 4.3" Portable Navigation, (Edia Co., Ltd.), May 23, 2016, Retrieved from the Known Design Database of the Japan Patent Office using Internet, URL: <https://www.j-platpat.inpit.go.jp/d0200>.

(Continued)

Primary Examiner — Christian P. McLean

(74) *Attorney, Agent, or Firm* — Kenja IP Law PC

(57) **CLAIM**

The ornamental design for a display screen with animated graphical user interface, as shown and described.

DESCRIPTION

FIG. 1 is the first image in a sequence for a display screen with animated graphical user interface showing our new design;

FIG. 2 is the second image thereof;

FIG. 3 is the third image thereof;

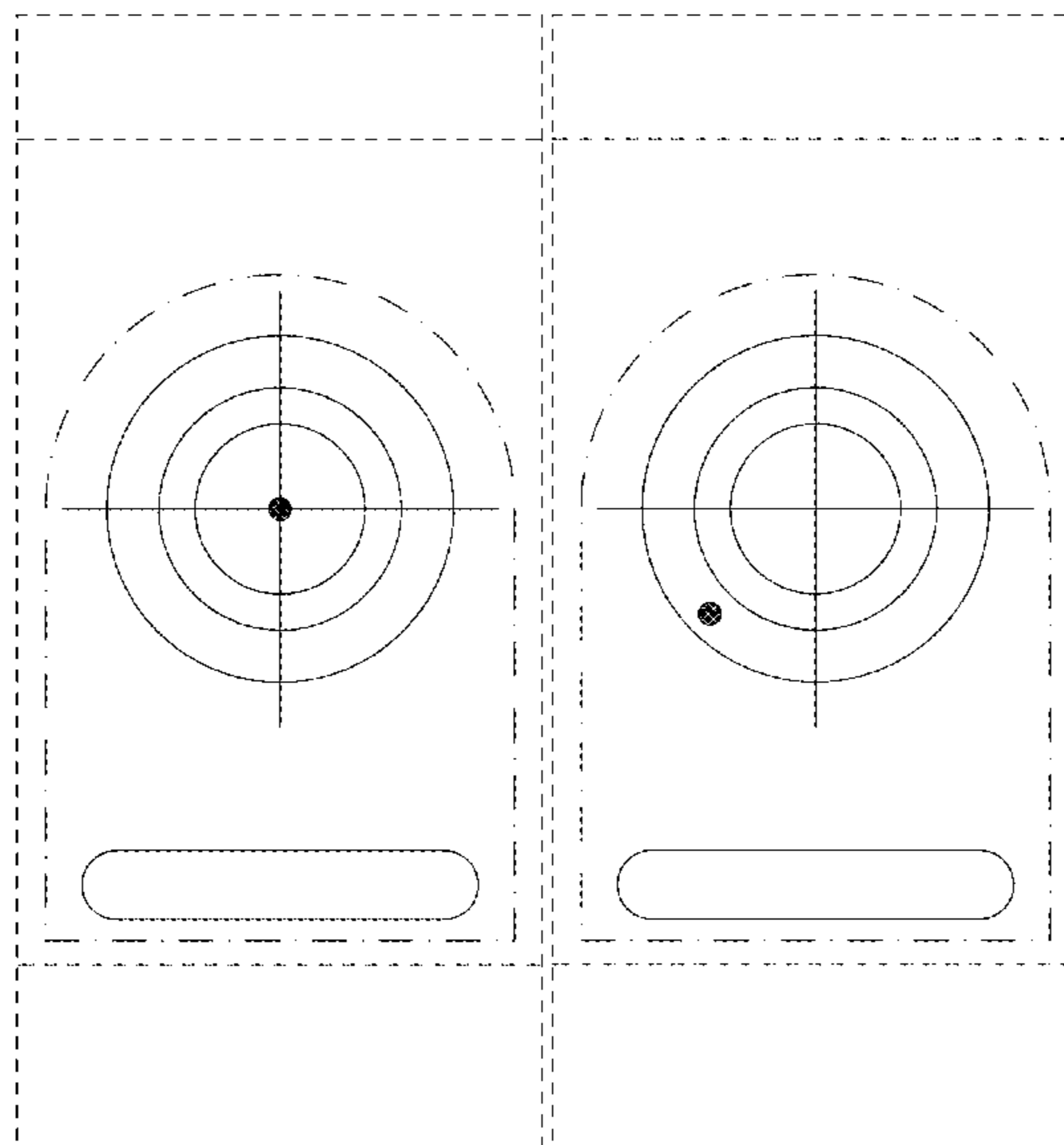
FIG. 4 is the first image in a sequence for a display screen with animated graphical user interface showing an alternative embodiment thereof;

FIG. 5 is the second image thereof; and,

FIG. 6 is the third image thereof.

The outermost broken lines in the figures show a display screen or portion thereof, and form no part of the claimed design. The other broken lines in the figures show portions of the animated graphical user interface that form no part of the claimed design. The dash-dot-dash broken lines are used to show the boundary between unclaimed and claimed subject matter, and thus form no part of the claimed design. The appearance of the animated graphical user interface sequentially transitions between the images shown in FIGS. 1-3, and 4-6, respectively. The process or period in which one image transitions to another forms no part of the claimed design.

1 Claim, 6 Drawing Sheets



(58) **Field of Classification Search**

CPC G06F 3/048; G06F 3/0481; G06F 3/04812;
 G06F 3/04815; G06F 3/04817; G06F
 3/0482; G06F 3/0483; G06F 3/0484;
 G06F 3/04842; G06F 3/04845; G06F
 3/04847; G06F 3/0485; G06F 3/04855;
 G06F 3/0486; G06F 3/04886; G06Q
 30/00; G06Q 30/02; G06Q 30/0237;
 G06Q 30/0238; G06Q 30/0239; H03J
 1/00; H03J 1/0008; H03J 1/0016; H03J
 1/0025; H04N 5/00; H04N 5/08; H04N
 5/14; H04N 5/222; H04N 5/225; H04N
 5/232; H04N 5/23222; H04N 5/23293;
 H04N 5/232933; H04N 5/232935; H04N
 5/445; H04N 5/44504; H04N 5/45; H04N
 21/00; H04N 21/234; H04N 21/431;
 H04N 21/4312; H04N 21/4314; H04N
 21/4316; H04N 21/4532; H04N 21/4622;
 H04N 21/47; H04N 21/478; H04N
 21/482; H04N 21/4884; H04N 21/4888;
 H04N 21/4856; H04N 21/485; H04N
 21/6547

See application file for complete search history.

D831,674 S *	10/2018	Bauer	D14/485
D831,697 S *	10/2018	Elatta	D14/489
D841,676 S *	2/2019	Zhang	D14/486
D842,891 S *	3/2019	MacLean	D14/489
D848,459 S *	5/2019	Li	D14/486
D852,821 S *	7/2019	Anderson	D14/485
D870,738 S *	12/2019	Robinson	D14/485
D886,120 S *	6/2020	Yuk	D14/485
D890,789 S *	7/2020	Stein	D14/486
D898,040 S *	10/2020	Dye	D14/485
D907,655 S *	1/2021	Adachi	D14/486
D911,354 S *	2/2021	Plaisance	D14/485
D914,038 S *	3/2021	Cazamias	D14/485
D914,759 S *	3/2021	Mariani	D14/492
D921,655 S *	6/2021	Giffels	D14/485
D926,814 S *	8/2021	Saskinas	D14/488
D928,811 S *	8/2021	Page	D14/485
D929,411 S *	8/2021	Douglas	D14/485
D930,015 S *	9/2021	Park	D14/485
D931,296 S *	9/2021	Chavez	D14/485
D932,503 S *	10/2021	Plaisance	D14/485
D941,352 S *	1/2022	Miura	D14/488
D941,867 S *	1/2022	Choi	D14/490
D948,531 S *	4/2022	Rivers	D14/485
D949,879 S *	4/2022	Bello	D14/485
D949,888 S *	4/2022	Suslik	D14/486
D951,287 S *	5/2022	Caro	D14/486

(56)

References Cited

U.S. PATENT DOCUMENTS

D754,677 S *	4/2016	Takizawa	D14/485
D766,289 S *	9/2016	Bauer	D14/486
D766,945 S *	9/2016	Um	D14/486
D766,951 S *	9/2016	Wang	D14/486
D768,148 S *	10/2016	Jung	D14/485
D769,897 S *	10/2016	Li	D14/485
D785,128 S *	4/2017	Kobayashi	D22/109
D791,146 S *	7/2017	Su	D14/485
D798,752 S *	10/2017	Nakaniwa	D10/74
D799,498 S *	10/2017	Graham	D14/485
D814,477 S *	4/2018	Gatewood	D14/485

FOREIGN PATENT DOCUMENTS

KR	300837240 S	1/2016
KR	300884570 S	12/2016

OTHER PUBLICATIONS

RJ0208842200, Website URL: <https://play.google.com/store/apps/details?id=com.appsnine.compass>, (AppsNine), Aug. 31, 2020, [database online], [retrieved on Aug. 9, 2020], Retrieved from the Known Design Database of the Japan Patent Office using Internet, URL: <https://www.j-platpat.inpit.go.jp/d0200>.

* cited by examiner

FIG. 1

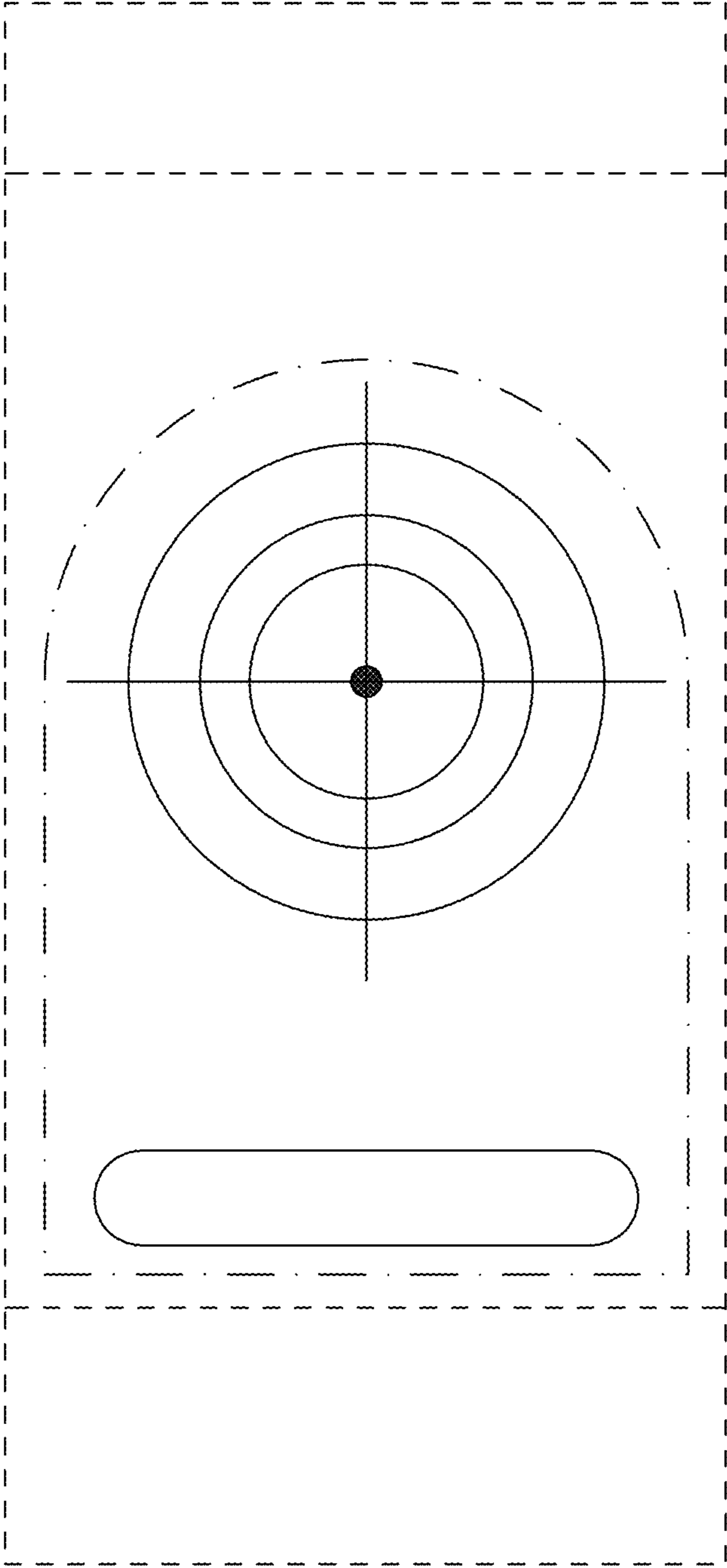


FIG. 2

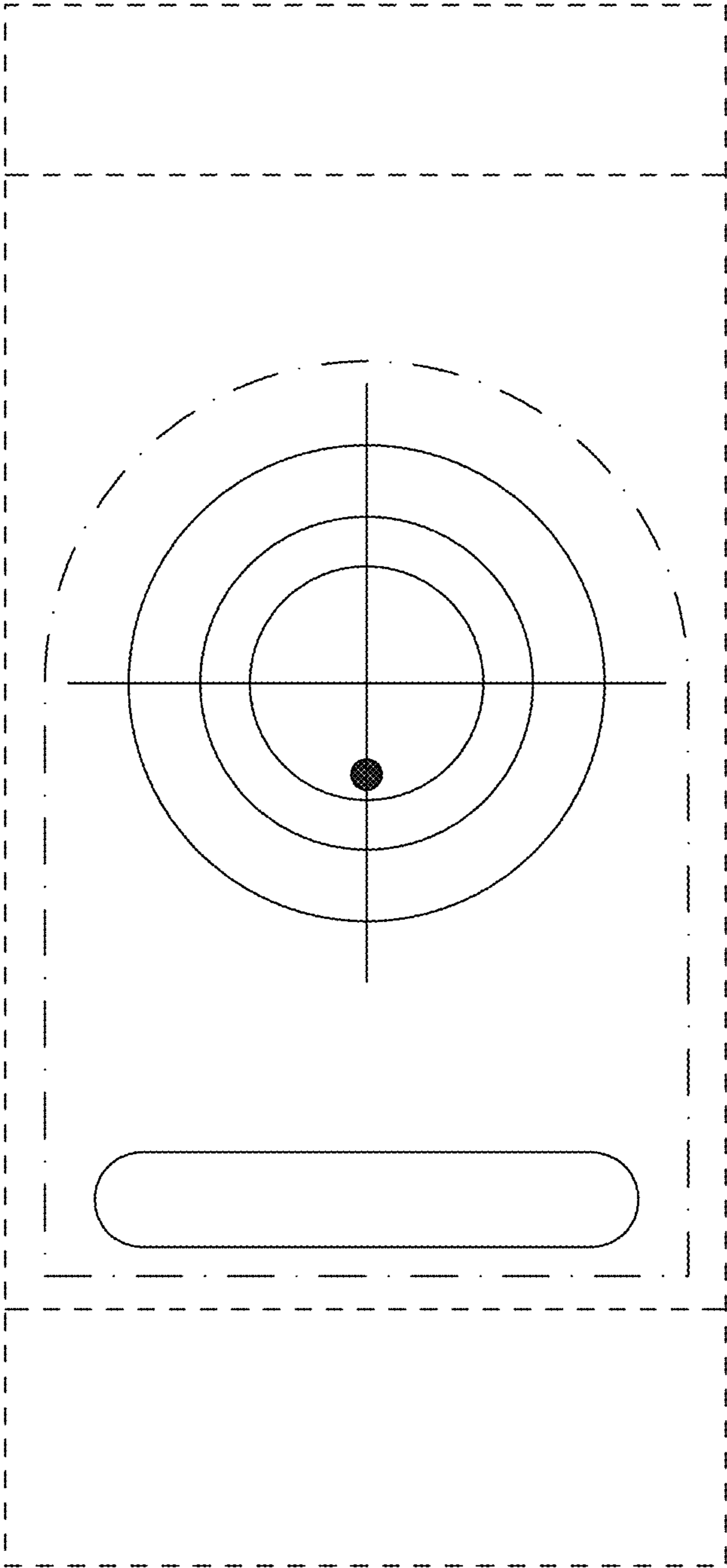


FIG. 3

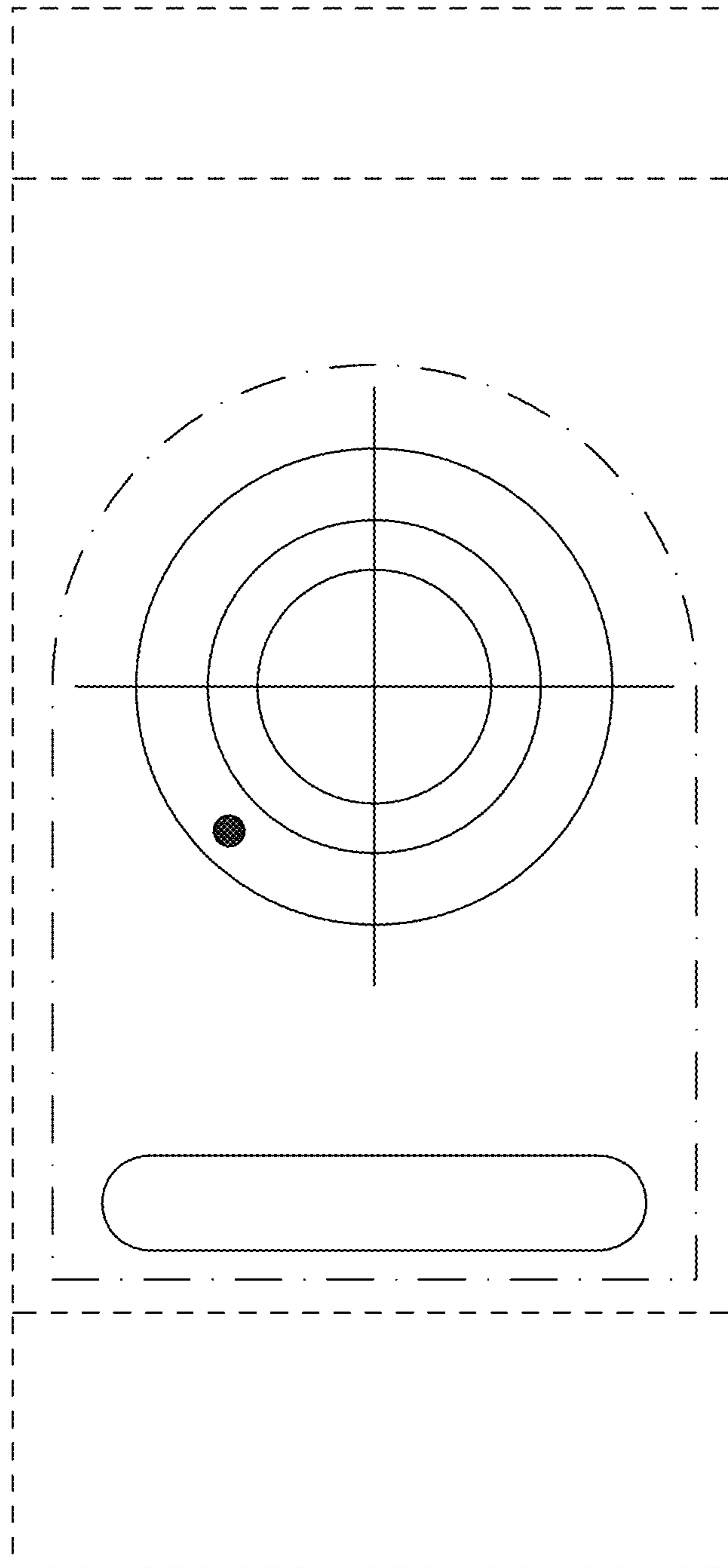


FIG. 4

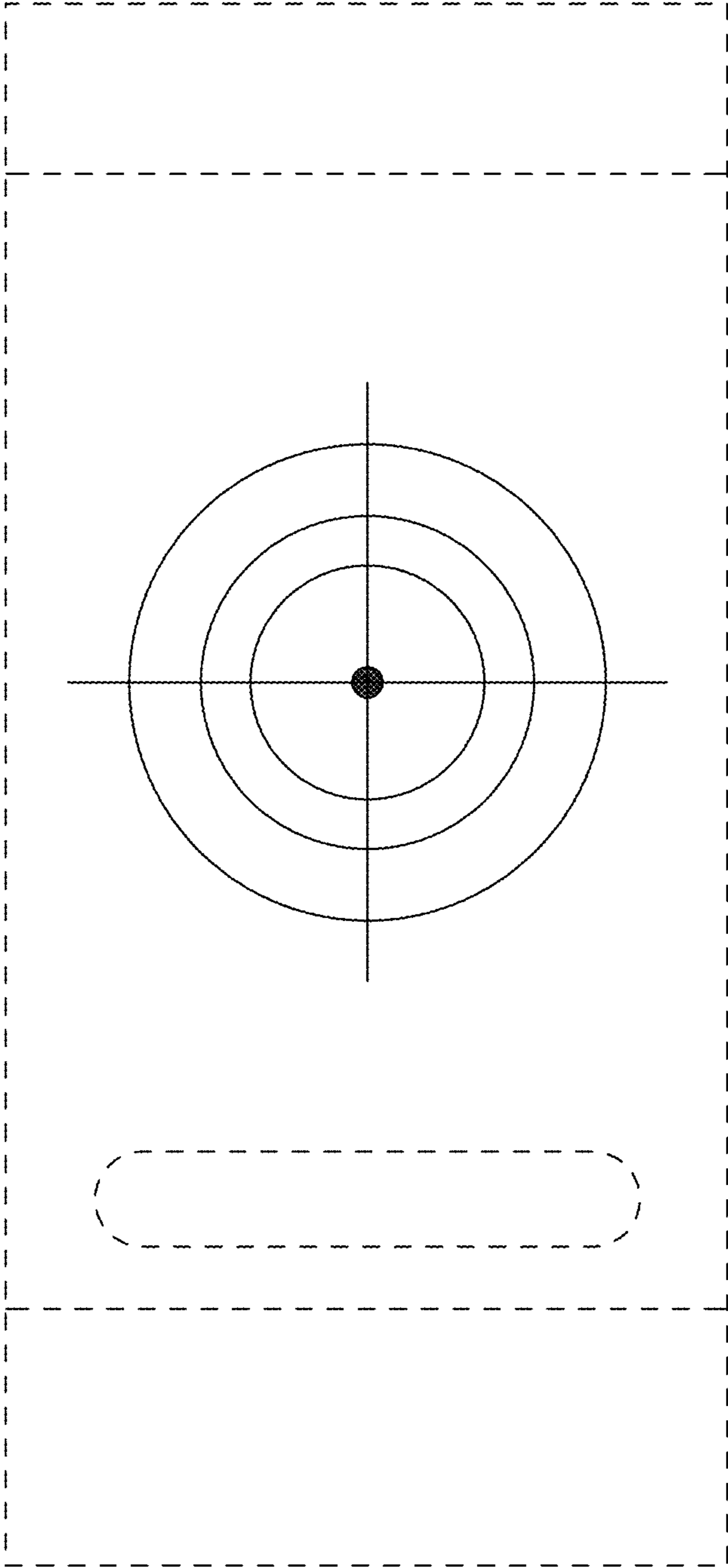


FIG. 5

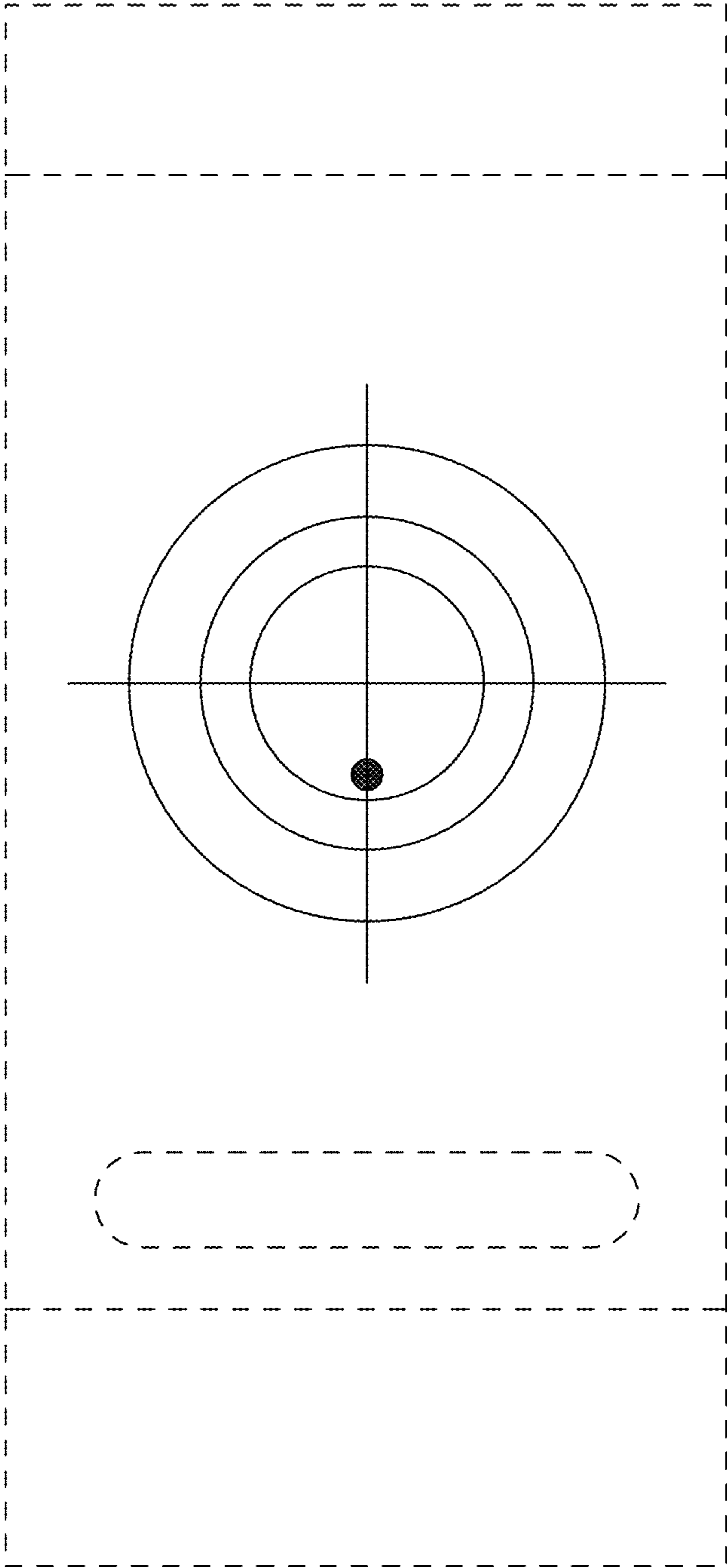


FIG. 6

