



US00D962261S

(12) **United States Design Patent**  
**Kim**

(10) **Patent No.:** **US D962,261 S**

(45) **Date of Patent:** **\*\* Aug. 30, 2022**

(54) **DISPLAY SCREEN OR PORTION THEREOF WITH TRANSITIONAL GRAPHICAL USER INTERFACE**

D872,127 S \* 1/2020 Alonso Ruiz ..... D14/488  
D892,833 S \* 8/2020 Onuma  
D910,033 S \* 2/2021 Kim ..... D14/485  
D910,035 S \* 2/2021 Kim ..... D14/485  
D910,698 S \* 2/2021 Alonso Ruiz ..... D14/488

(Continued)

(71) Applicant: **Samsung Electronics Co., Ltd.**,  
Suwon-si (KR)

*Primary Examiner* — Richelle G Shelton

(72) Inventor: **Dasom Kim**, Suwon-si (KR)

(74) *Attorney, Agent, or Firm* — NSIP Law

(73) Assignee: **Samsung Electronics Co., Ltd.**,  
Suwon-si (KR)

(57) **CLAIM**

(\*\*) Term: **15 Years**

I claim the ornamental design for a display screen or portion thereof with transitional graphical user interface, as shown and described.

(21) Appl. No.: **29/764,995**

**DESCRIPTION**

(22) Filed: **Jan. 5, 2021**

**Related U.S. Application Data**

(63) Continuation of application No. 29/701,839, filed on Aug. 15, 2019, now Pat. No. Des. 910,033.

FIG. 1 is a first image in a sequence of a display screen or portion thereof with transitional graphical user interface showing my new design according to a first embodiment; FIG. 2 is a second image thereof; FIG. 3 is a third image thereof; FIG. 4 is a fourth image thereof; FIG. 5 is a first image in a sequence of a display screen or portion thereof with transitional graphical user interface showing my new design according to the second embodiment; FIG. 6 is a second image thereof; FIG. 7 is a third image thereof; and, FIG. 8 is a fourth image thereof.

(30) **Foreign Application Priority Data**

Feb. 18, 2019 (KR) ..... 30-2019-0007252

(51) **LOC (13) Cl.** ..... **14-04**

(52) **U.S. Cl.**  
USPC ..... **D14/485**

(58) **Field of Classification Search**

USPC ..... D14/485-495

CPC ..... G06T 13/00; G06T 13/80

See application file for complete search history.

The outermost broken line showing of the display screen or portion thereof is for environmental purposes only and forms no part of the claimed design.

The remaining broken lines in the figures depict portions of the transitional graphical user interface which form no part of the claimed design.

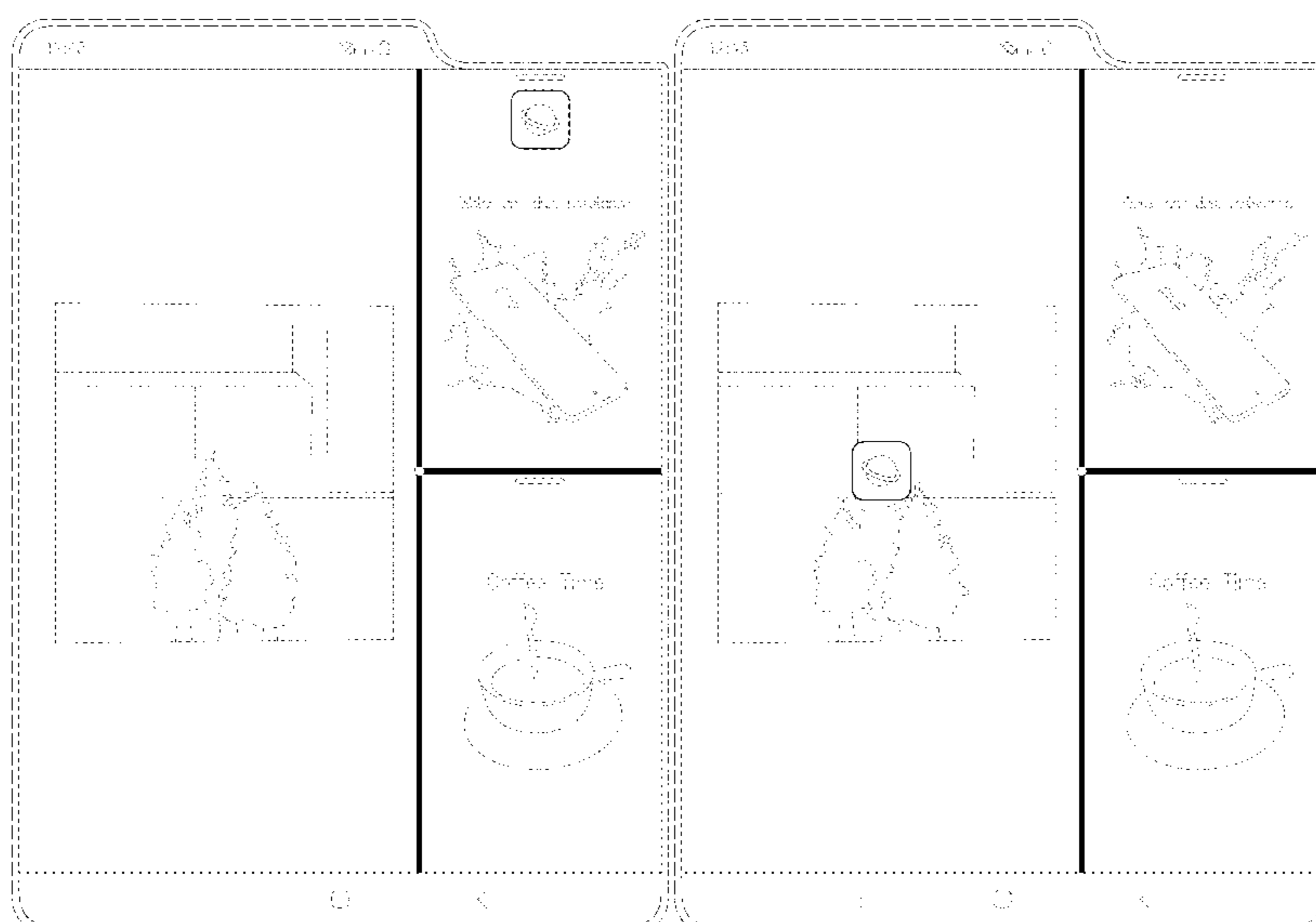
The appearance of the transitional graphical user interface sequentially transitions between the images shown in FIGS. 1-4 and FIGS. 5-8, respectively. The process or period in which one image transitions to another forms no part of the claimed design.

(56) **References Cited**

**U.S. PATENT DOCUMENTS**

D719,963 S 12/2014 Hobbs et al.  
D765,700 S \* 9/2016 Federighi ..... D14/486  
D801,997 S 11/2017 Kim et al.  
D807,912 S 1/2018 Kim et al.  
D823,338 S \* 7/2018 Alonso Ruiz ..... D14/488  
D870,125 S 12/2019 Shim et al.

**1 Claim, 8 Drawing Sheets**



(56)

**References Cited**

U.S. PATENT DOCUMENTS

D936,698 S \* 11/2021 Saskinas ..... D14/488  
D941,326 S \* 1/2022 Kim ..... D14/486  
D946,007 S \* 3/2022 Norman ..... D14/485  
2015/0365306 A1\* 12/2015 Chaudhri ..... H04L 65/403  
715/753  
2018/0329590 A1 11/2018 Garg et al.

\* cited by examiner

FIG. 1

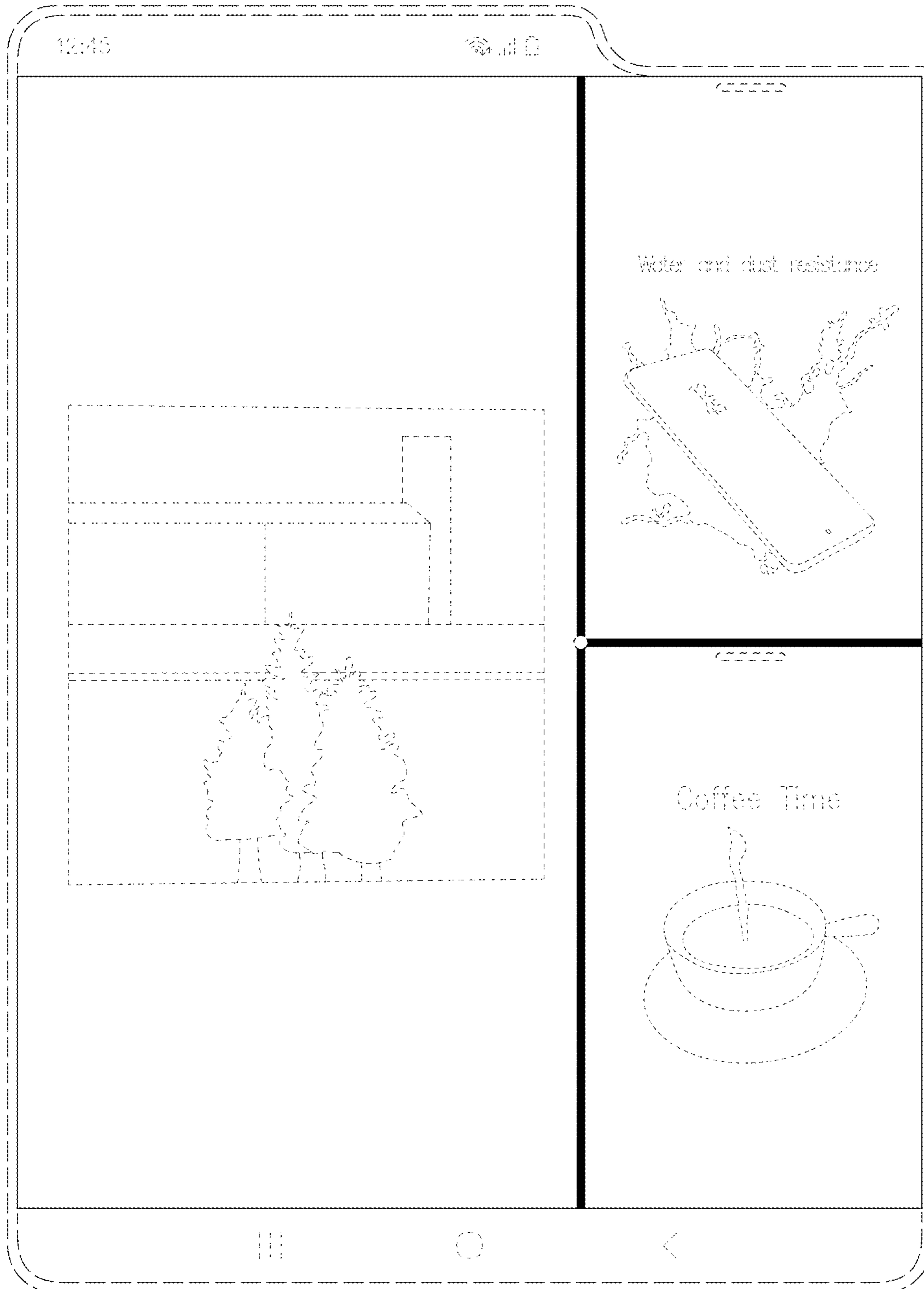


FIG. 2

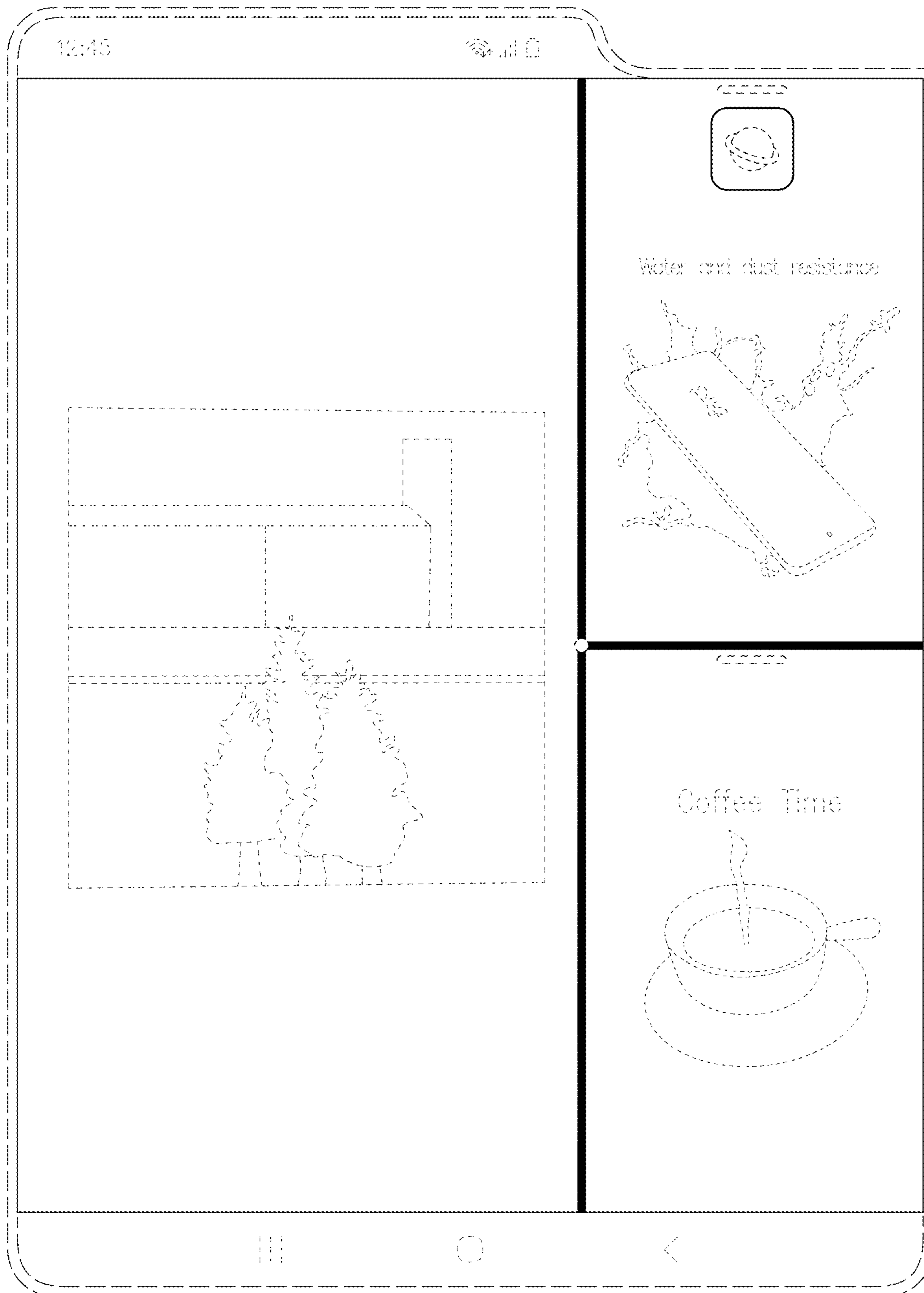


FIG. 3

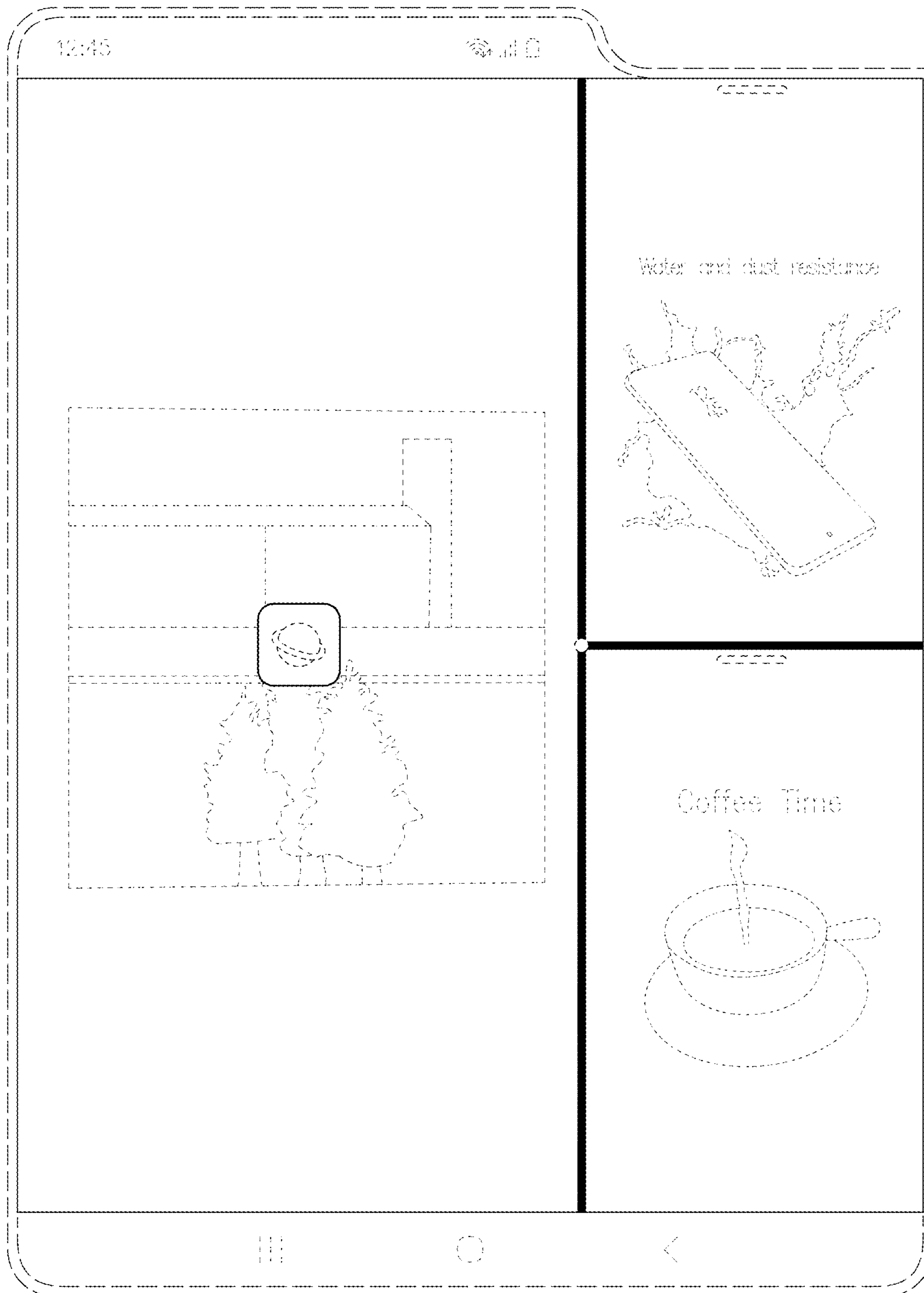


FIG. 4

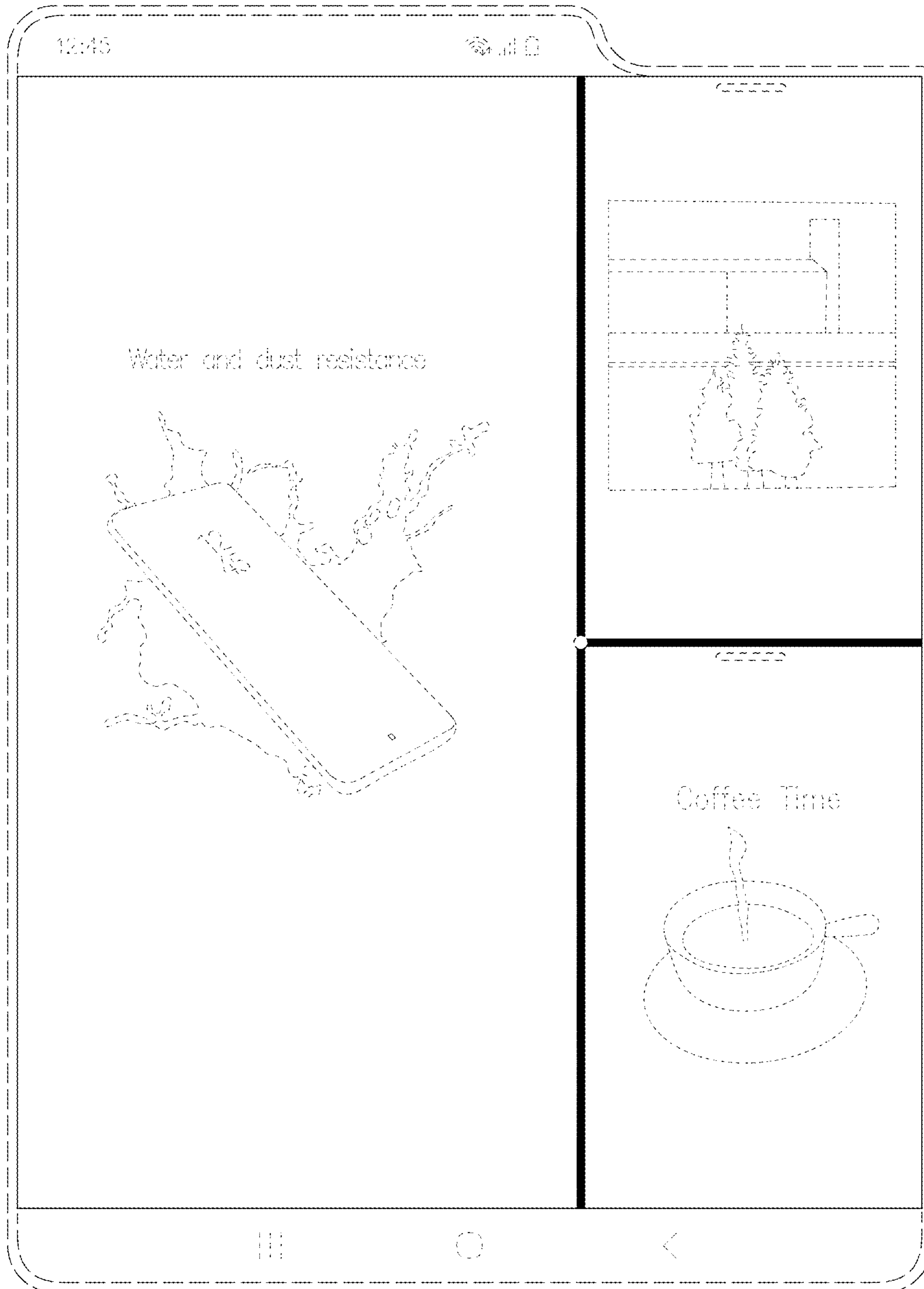


FIG. 5

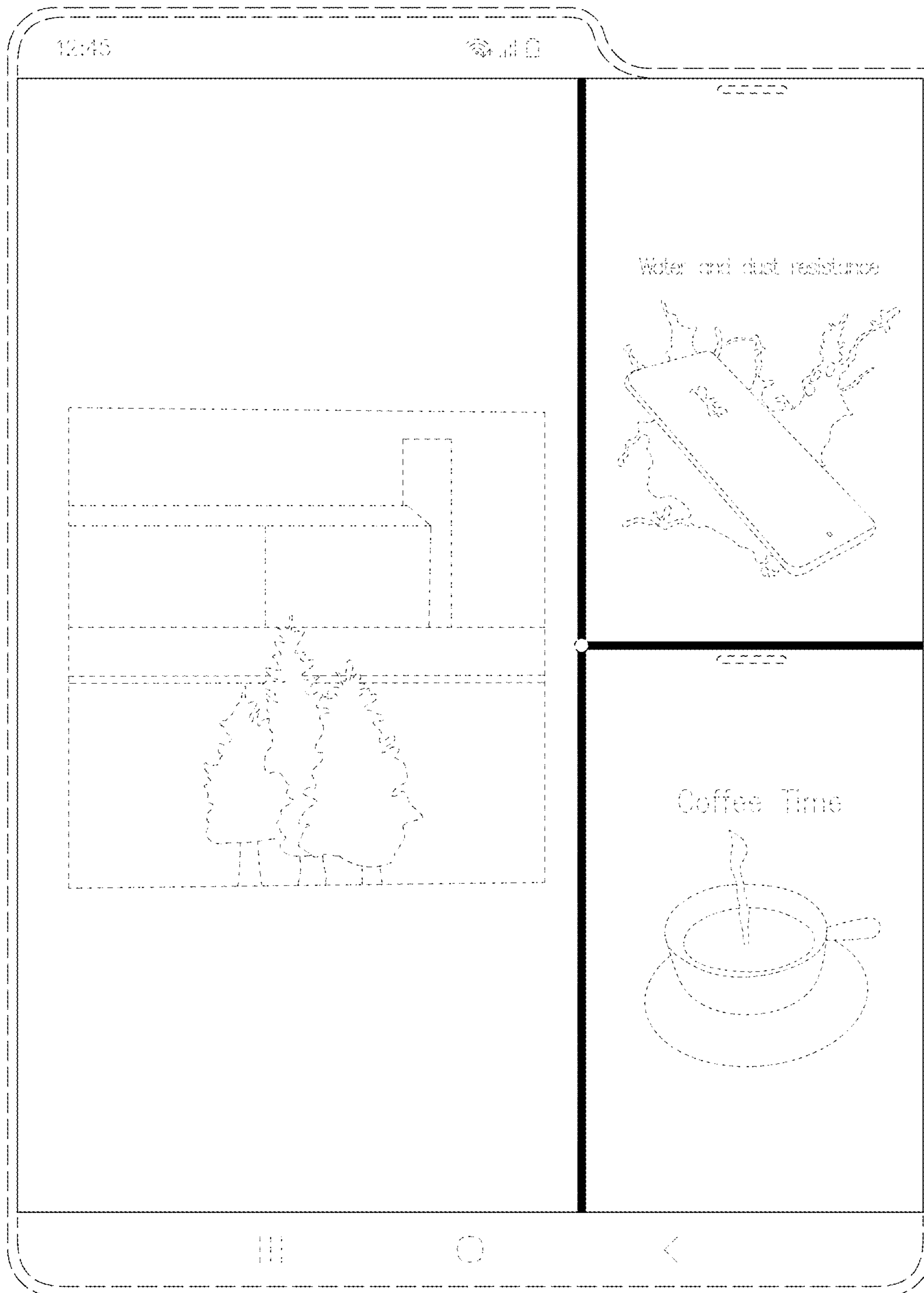


FIG. 6

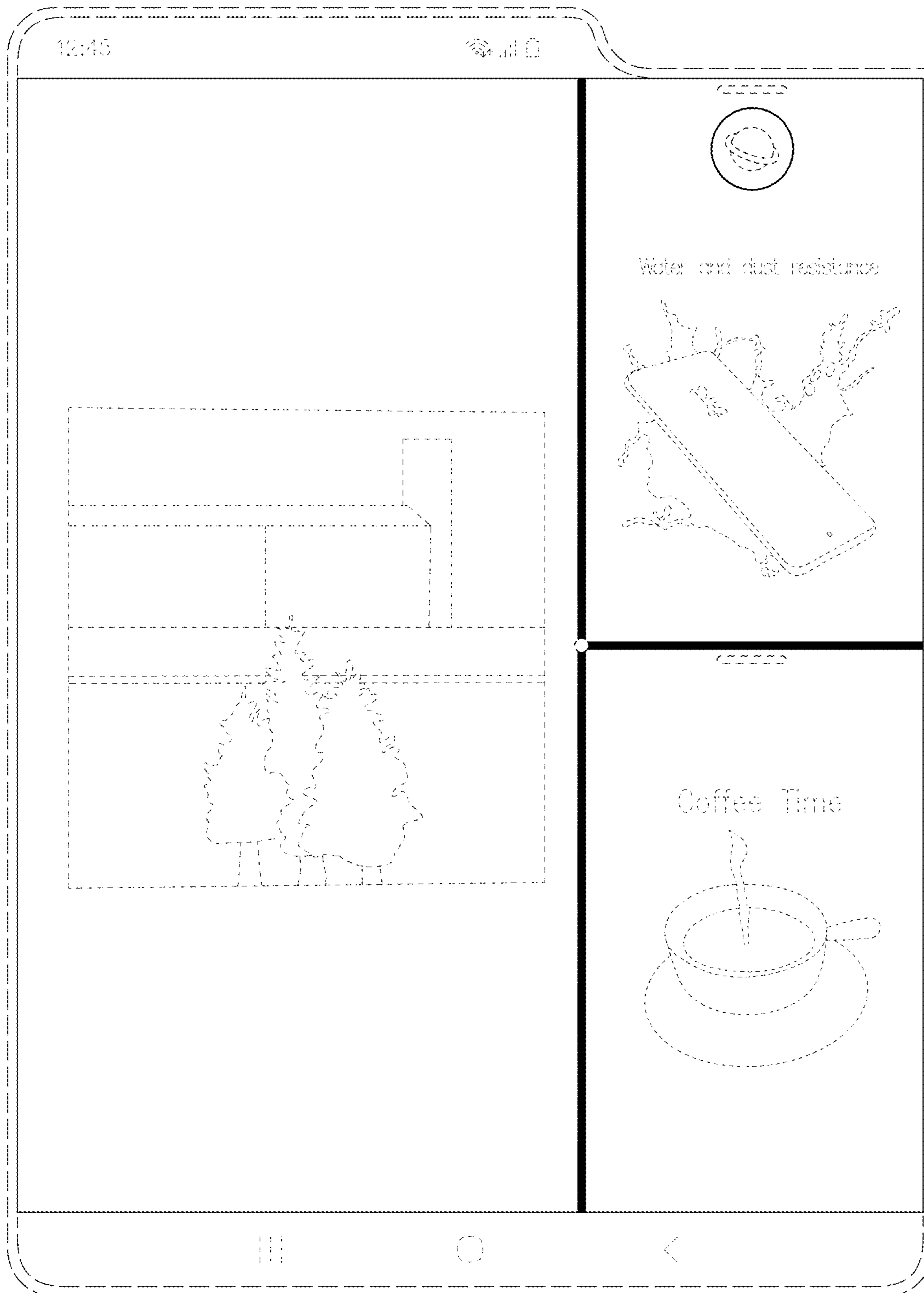




FIG. 7

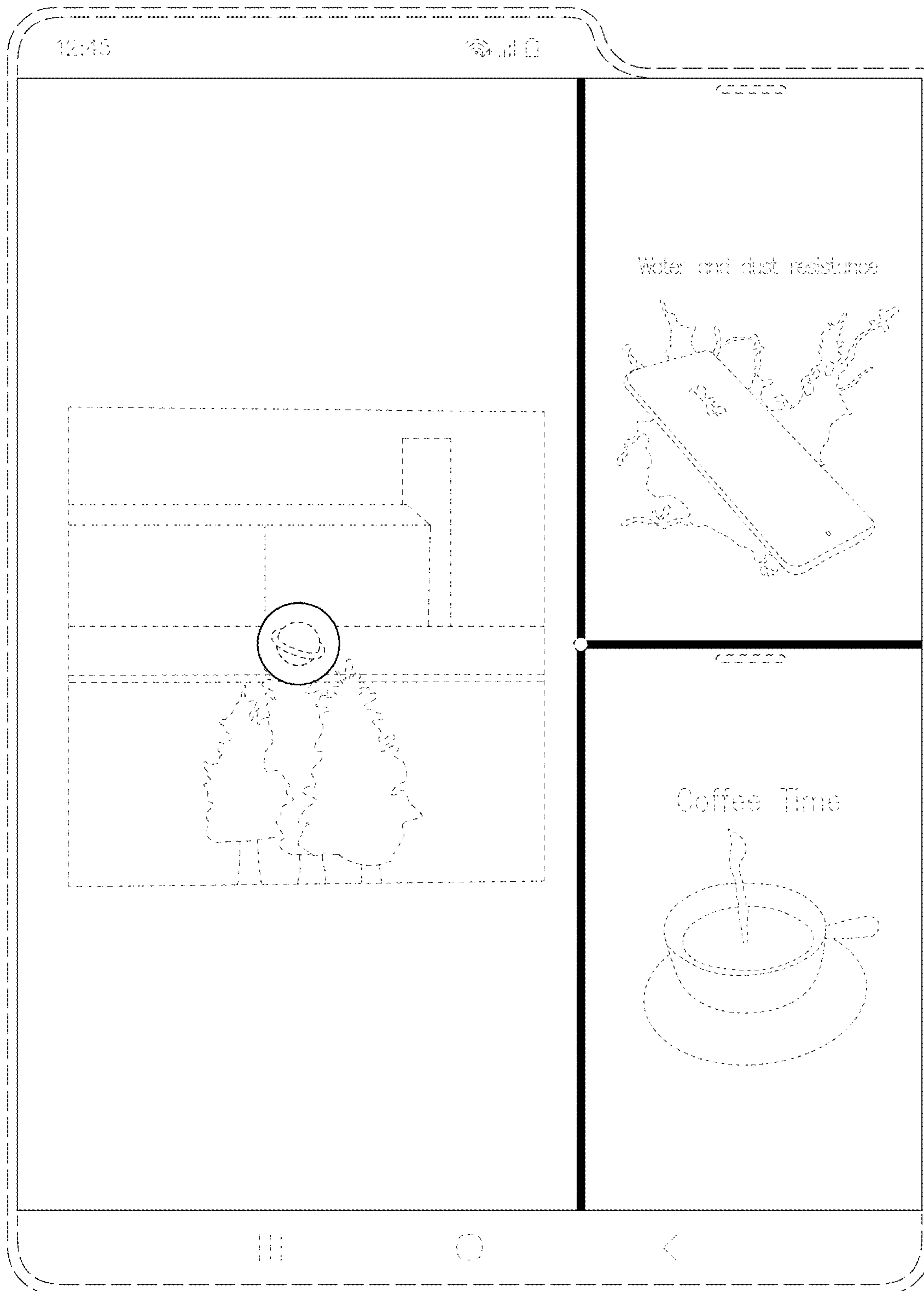


FIG. 8

