



US00D962242S

(12) **United States Design Patent** (10) **Patent No.:** **US D962,242 S**  
**Chen** (45) **Date of Patent:** **\*\* Aug. 30, 2022**

(54) **FOLDING BRACKET**

(71) Applicant: **Shenzhen Reno Information Technology Limited**, Guangdong (CN)

(72) Inventor: **Huifeng Chen**, Guangdong (CN)

(73) Assignee: **SHENZHEN RENO INFORMATION TECHNOLOGY LIMITED**, Shenzhen (CN)

(\*\*) Term: **15 Years**

(21) Appl. No.: **29/786,230**

(22) Filed: **May 29, 2021**

(51) **LOC (13) Cl.** ..... **14-02**

(52) **U.S. Cl.**  
USPC ..... **D14/447**

(58) **Field of Classification Search**  
USPC ..... D14/447, 432, 434, 439, 440, 451, 452, D14/457, 239, 253, 250; D8/363, 373, D8/380; D6/406.3, 406.4, 406.5, 406.6; D12/415; D19/91; D3/218  
CPC ..... A47B 21/04; A47B 2097/006; A47B 2097/005; A47B 2023/049; A45C 2011/002; A45C 2011/003; F16M 2200/00; F16M 13/00; A45F 2200/0516; A45F 2200/0525

See application file for complete search history.

(56) **References Cited**

**U.S. PATENT DOCUMENTS**

D636,397 S \* 4/2011 Green ..... D14/447  
D640,707 S \* 6/2011 Yeh ..... D14/447  
D673,960 S \* 1/2013 Lindfield ..... D14/447  
D685,378 S \* 7/2013 Deng ..... D14/447  
D764,478 S \* 8/2016 Radmard ..... H04M 1/11  
D14/440  
10,001,153 B1 \* 6/2018 Fan ..... F16M 13/00

D827,652 S \* 9/2018 Jacques ..... D14/447  
D838,724 S 1/2019 Olander  
D860,215 S 9/2019 Olander  
D860,216 S 9/2019 Olander  
D898,748 S 10/2020 Ma  
D902,936 S \* 11/2020 Hong ..... D14/447  
D904,416 S \* 12/2020 Xu ..... D14/447  
D921,642 S \* 6/2021 Hong ..... D14/447  
D937,279 S \* 11/2021 Zhang ..... D14/447

(Continued)

**FOREIGN PATENT DOCUMENTS**

CN 306242577 S 12/2020  
CN 306342184 S 2/2021

(Continued)

*Primary Examiner* — Angela J Lee

(74) *Attorney, Agent, or Firm* — Dragon Sun Law Firm, P.C.; Jinggao Li, Esq.; Nathaniel Perkins

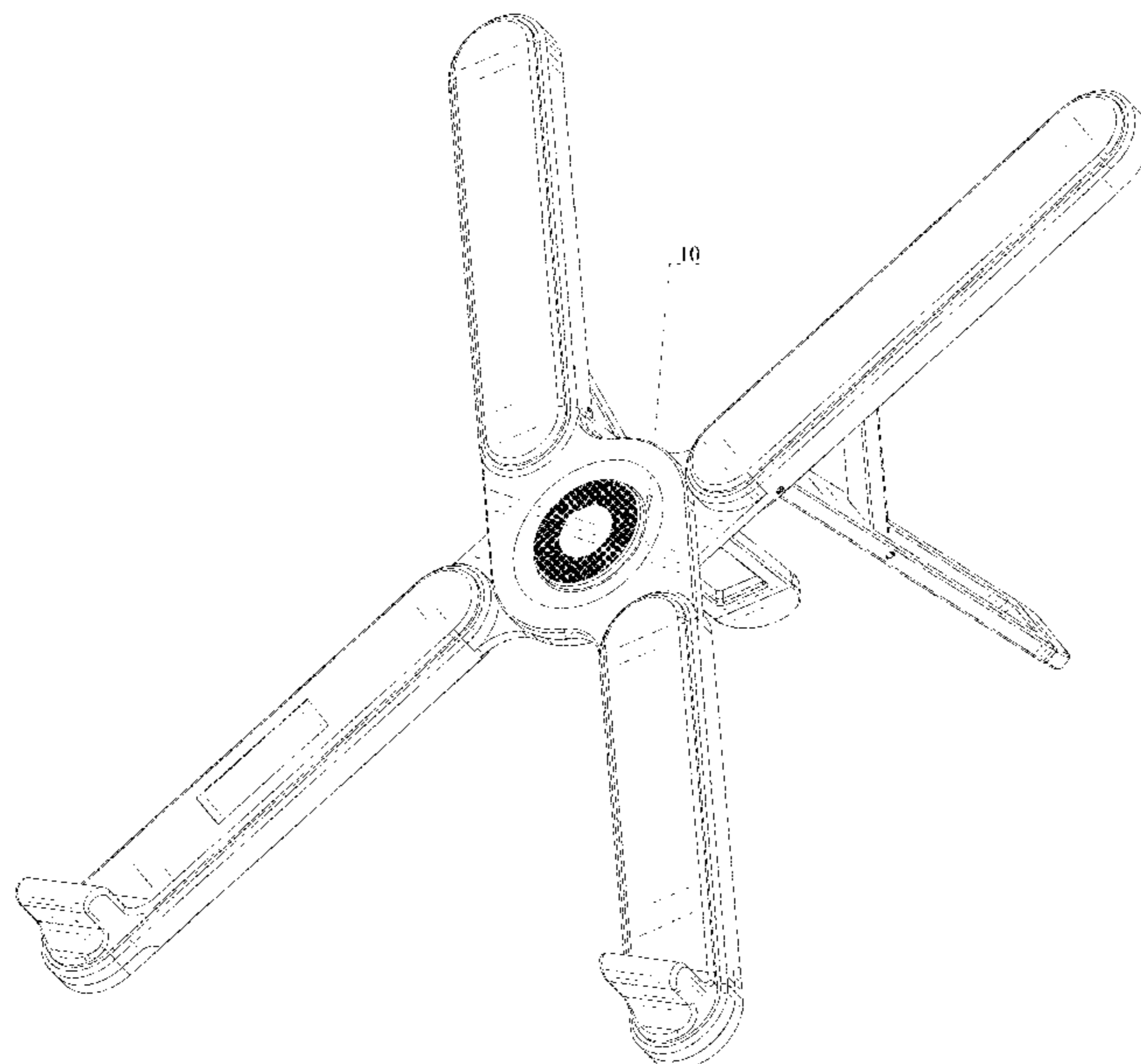
(57) **CLAIM**

The ornamental design for a folding bracket, as shown and described.

**DESCRIPTION**

FIG. 1 is a top, front perspective view of the folding bracket; FIG. 2 is a bottom, rear perspective view of FIG. 1; FIG. 3 is a front view of FIG. 1; FIG. 4 is a rear view of FIG. 1; FIG. 5 is a left view of FIG. 1; FIG. 6 is a right view of FIG. 1; FIG. 7 is a top view of FIG. 1; FIG. 8 is a bottom view of FIG. 1; FIG. 9 is another top, front perspective of the folding bracket in a folded state; and, FIG. 10 is a partially enlarged view of FIG. 1. The broken lines shown on the drawings depict portions of the folding bracket that form no part of the claimed design.

**1 Claim, 10 Drawing Sheets**



(56)

**References Cited**

U.S. PATENT DOCUMENTS

D952,643 S \* 5/2022 Chen ..... D14/447  
2012/0234055 A1\* 9/2012 Bland, III ..... F16M 13/00  
70/14

FOREIGN PATENT DOCUMENTS

CN 306382878 S 3/2021  
CN 306550953 S 5/2021

\* cited by examiner

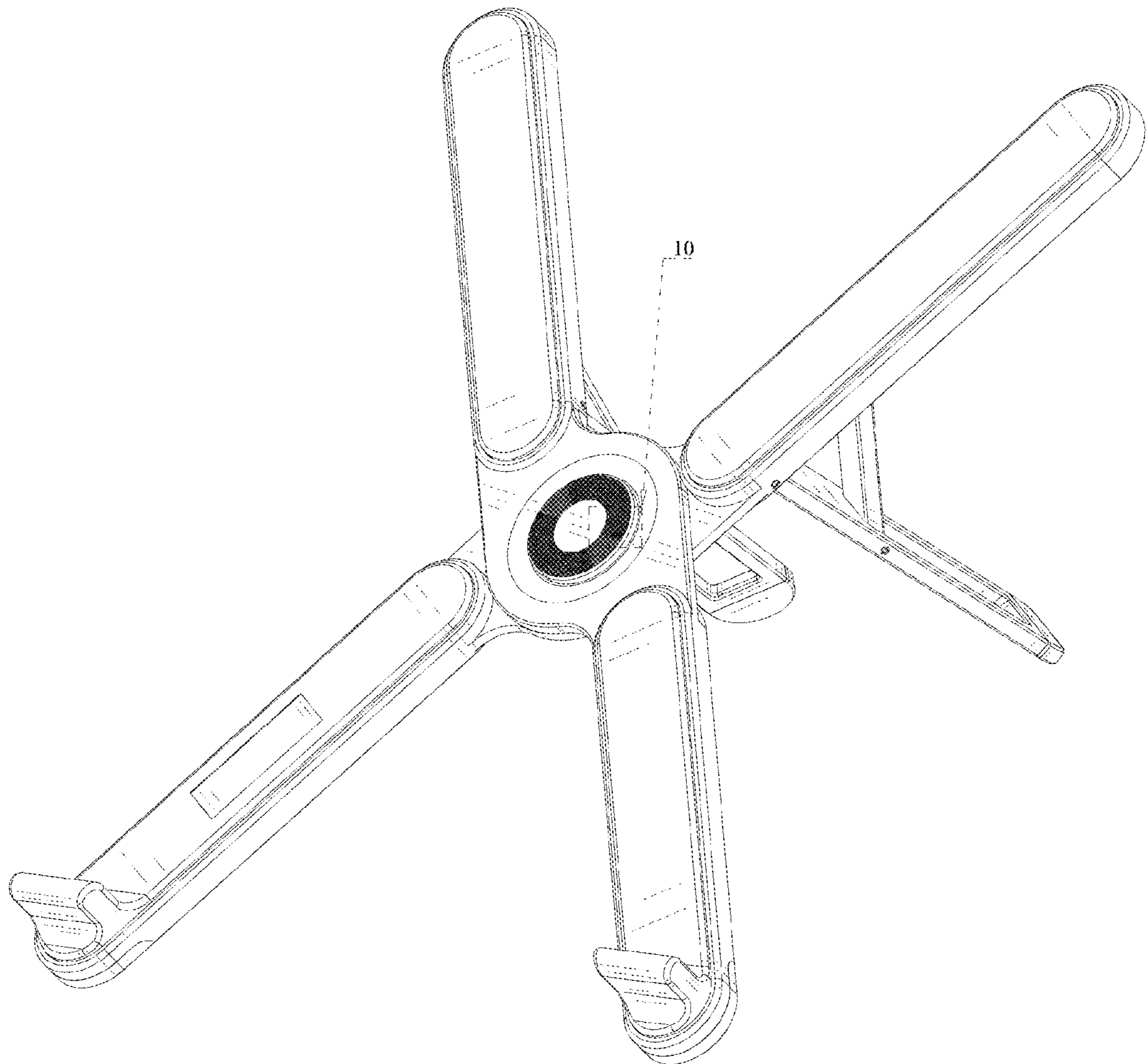


FIG. 1

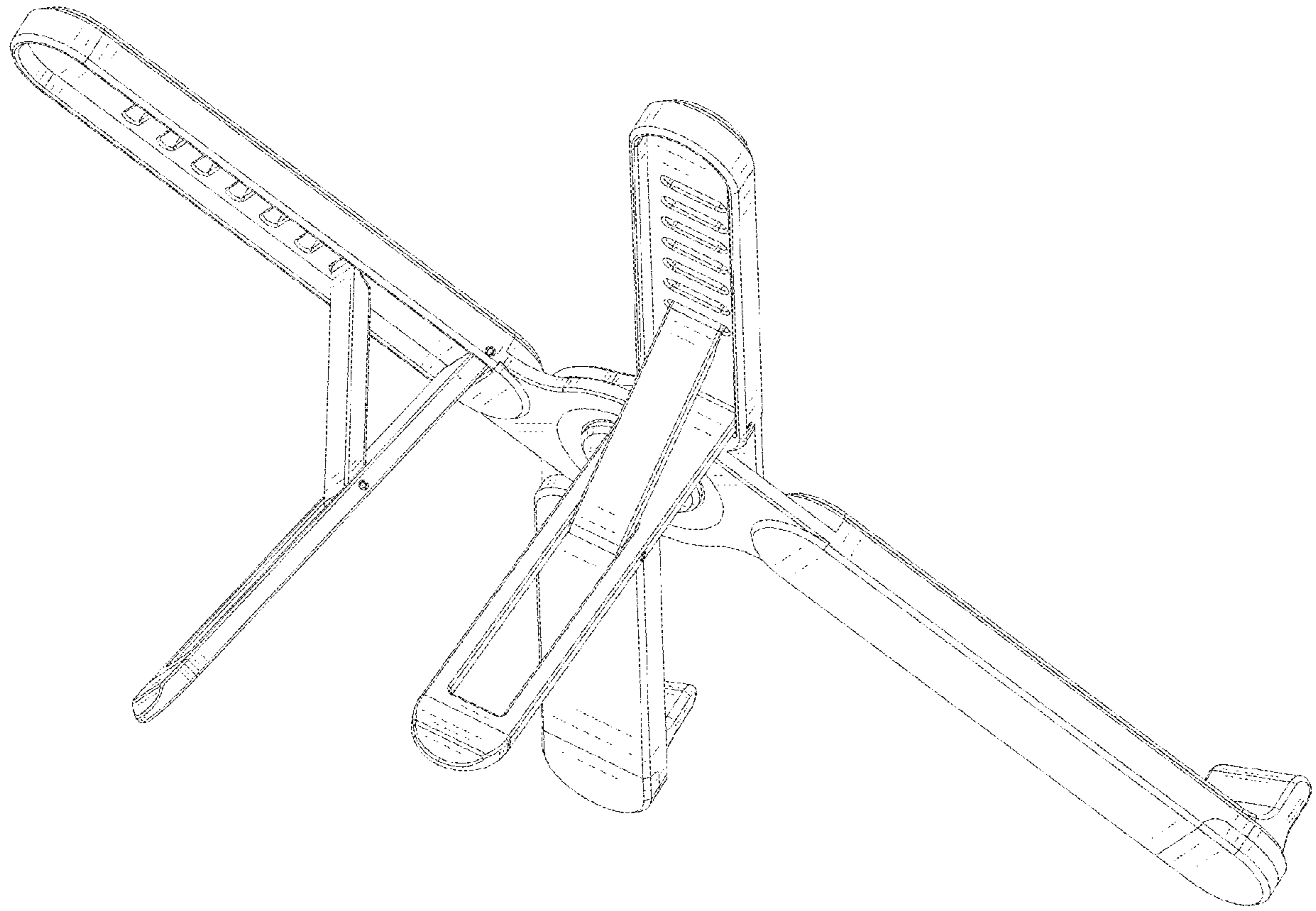


FIG. 2

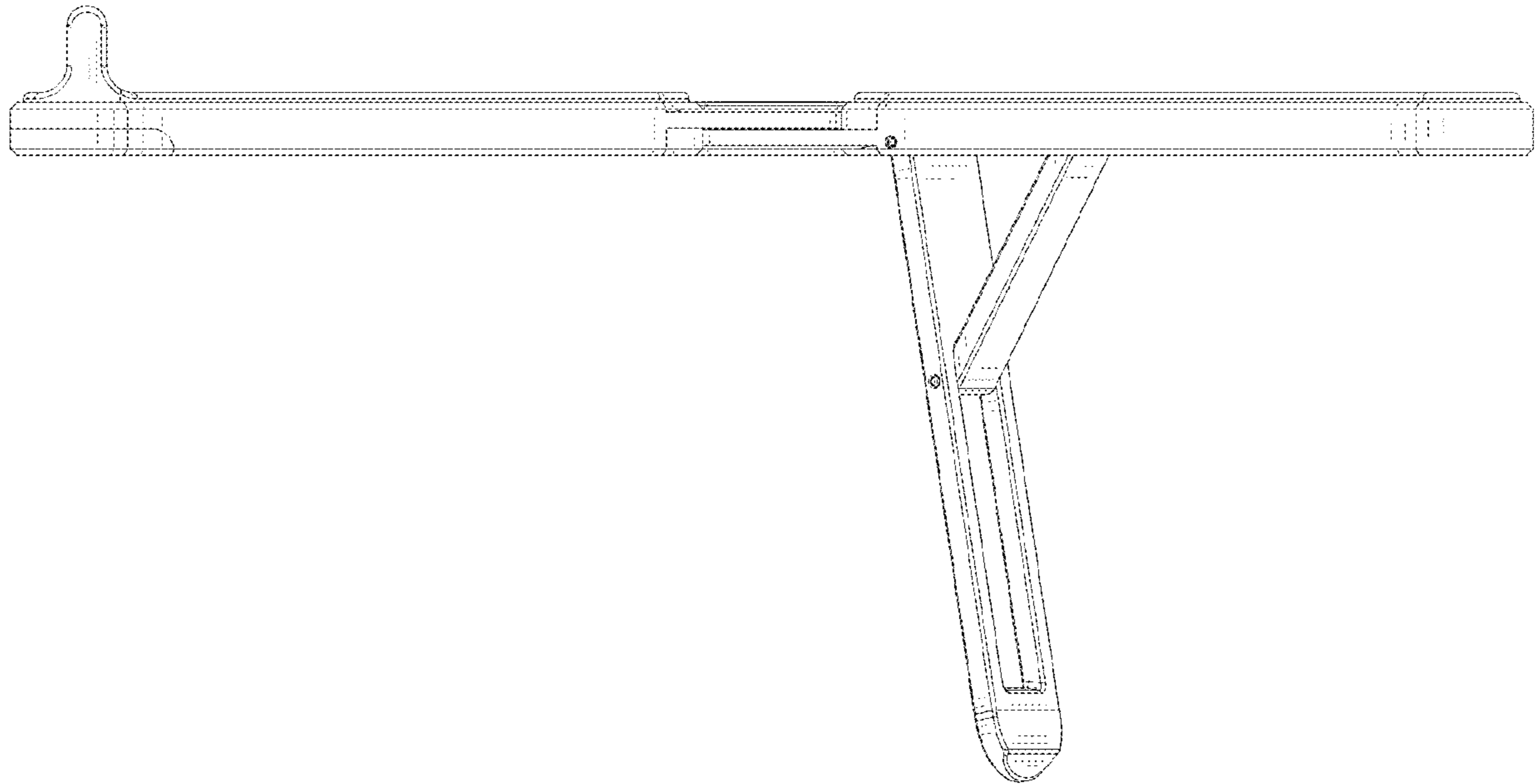


FIG. 3

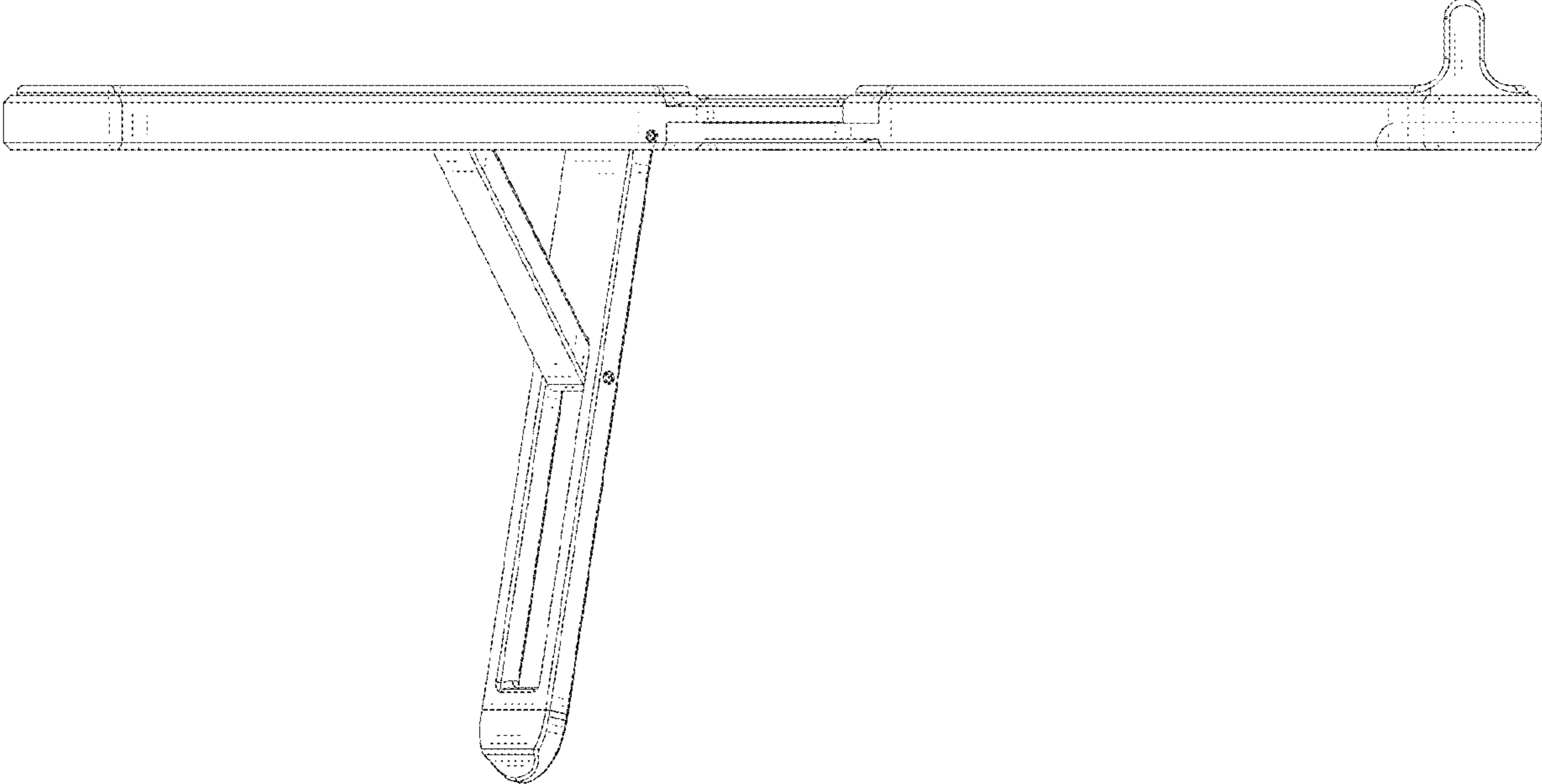


FIG. 4

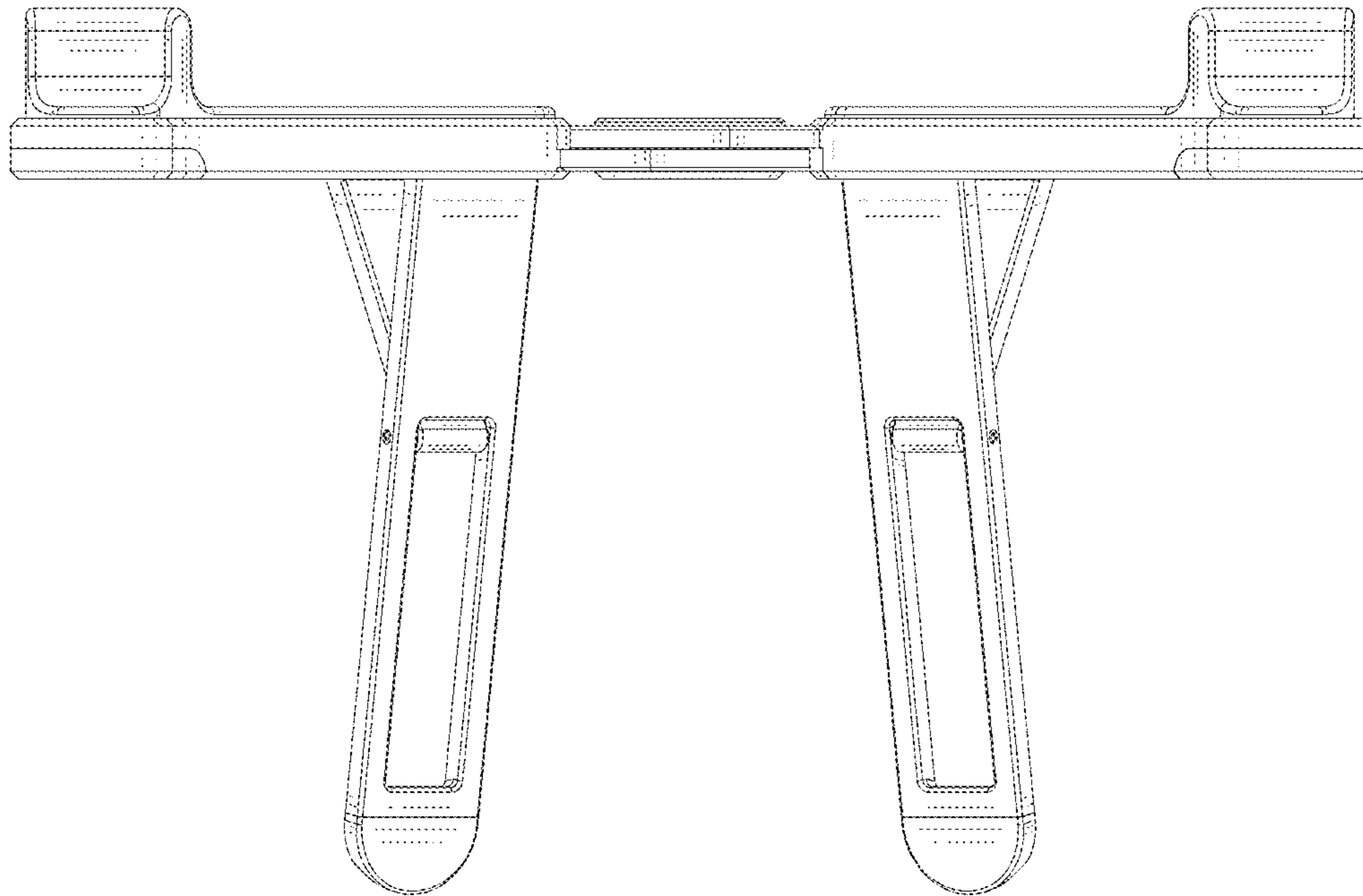


FIG. 5

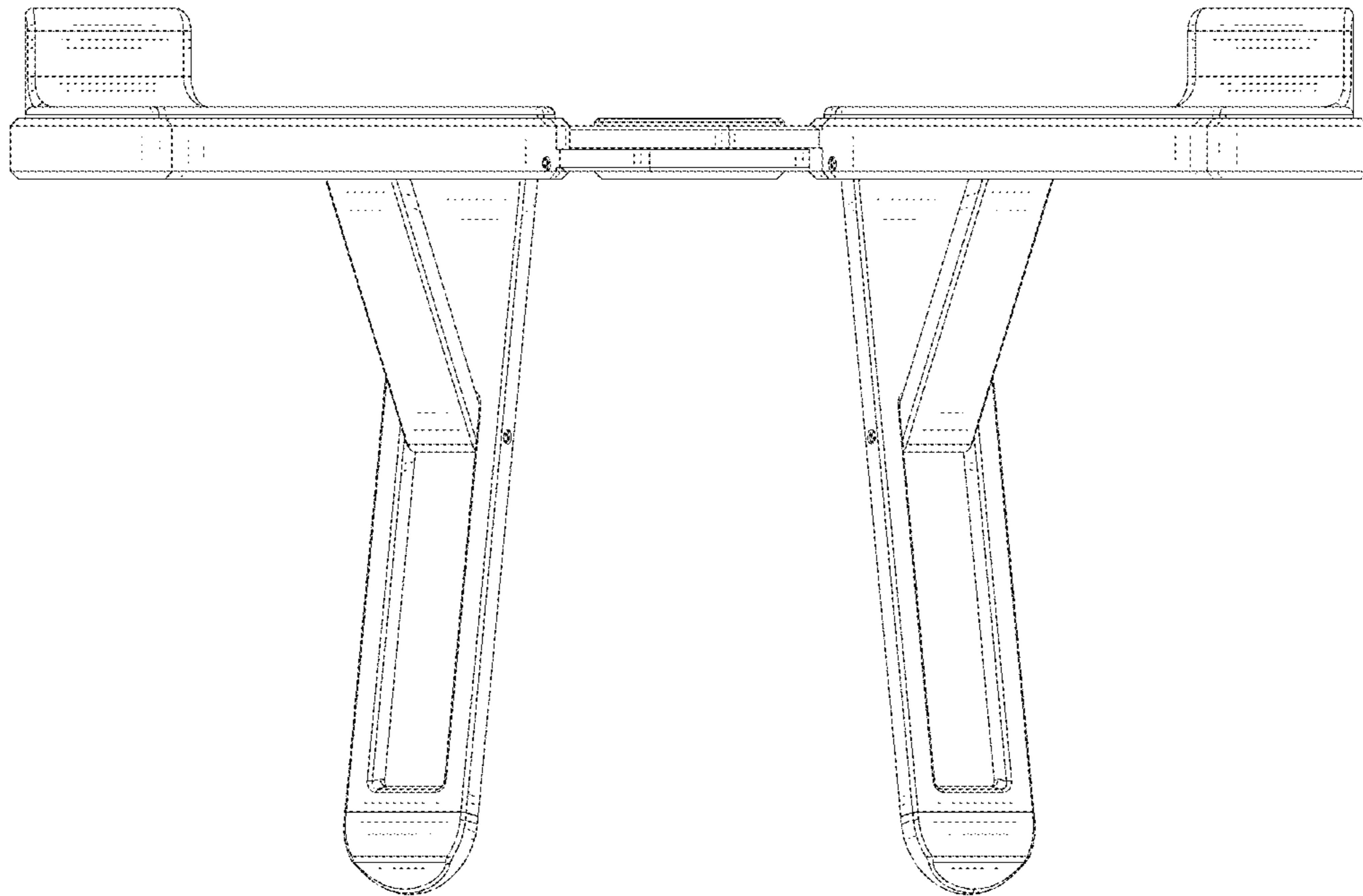


FIG. 6



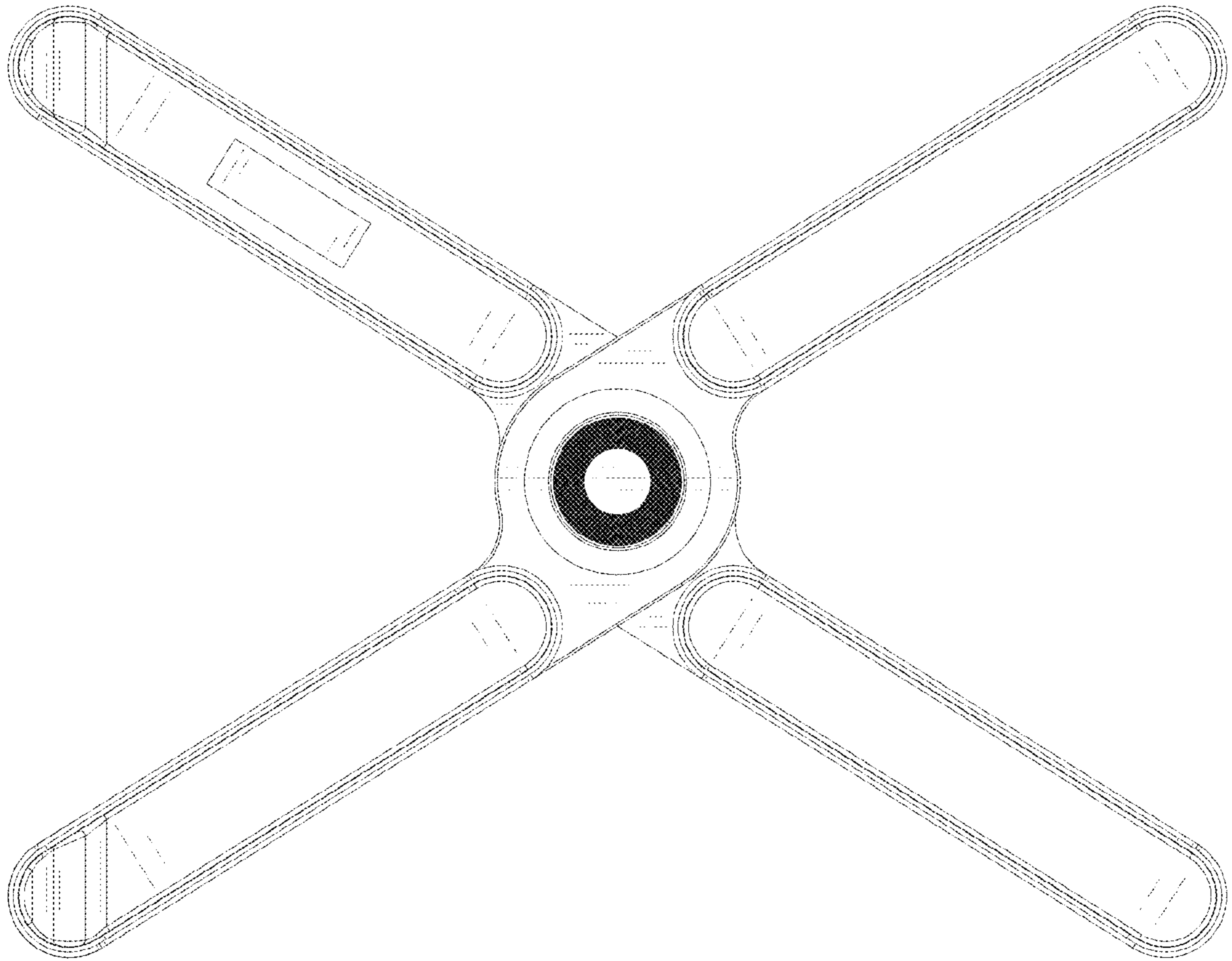


FIG. 7

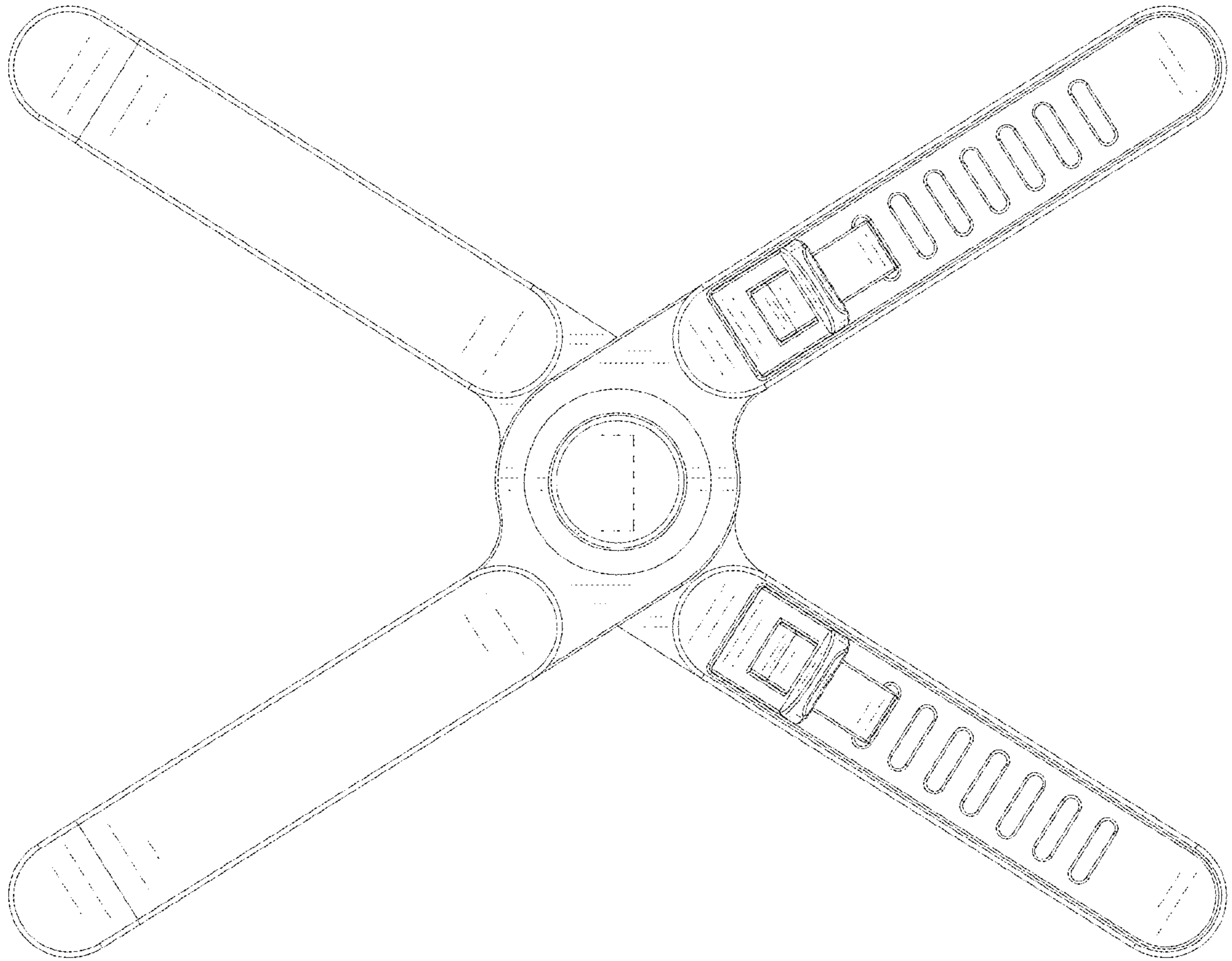


FIG. 8

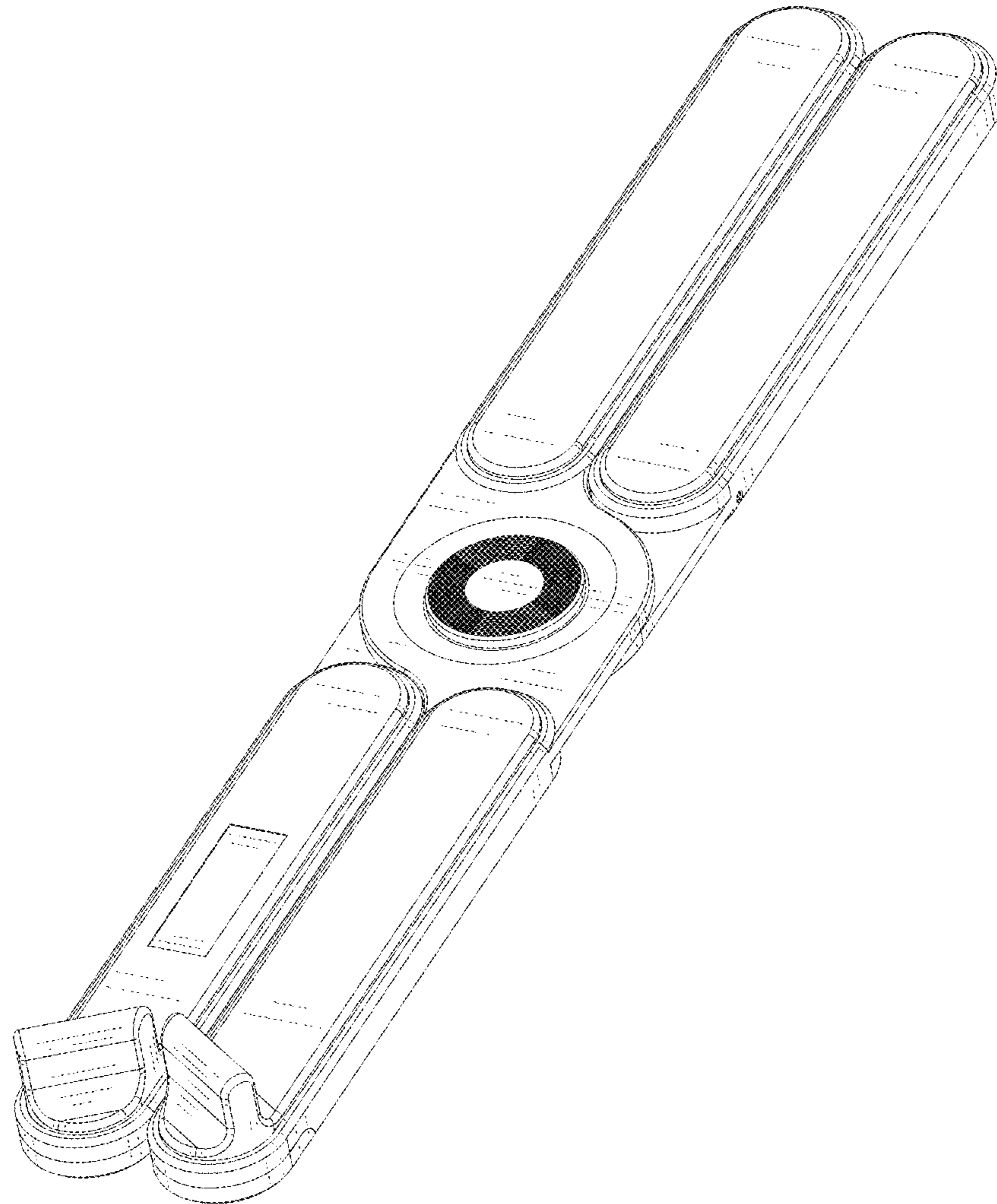


FIG. 9

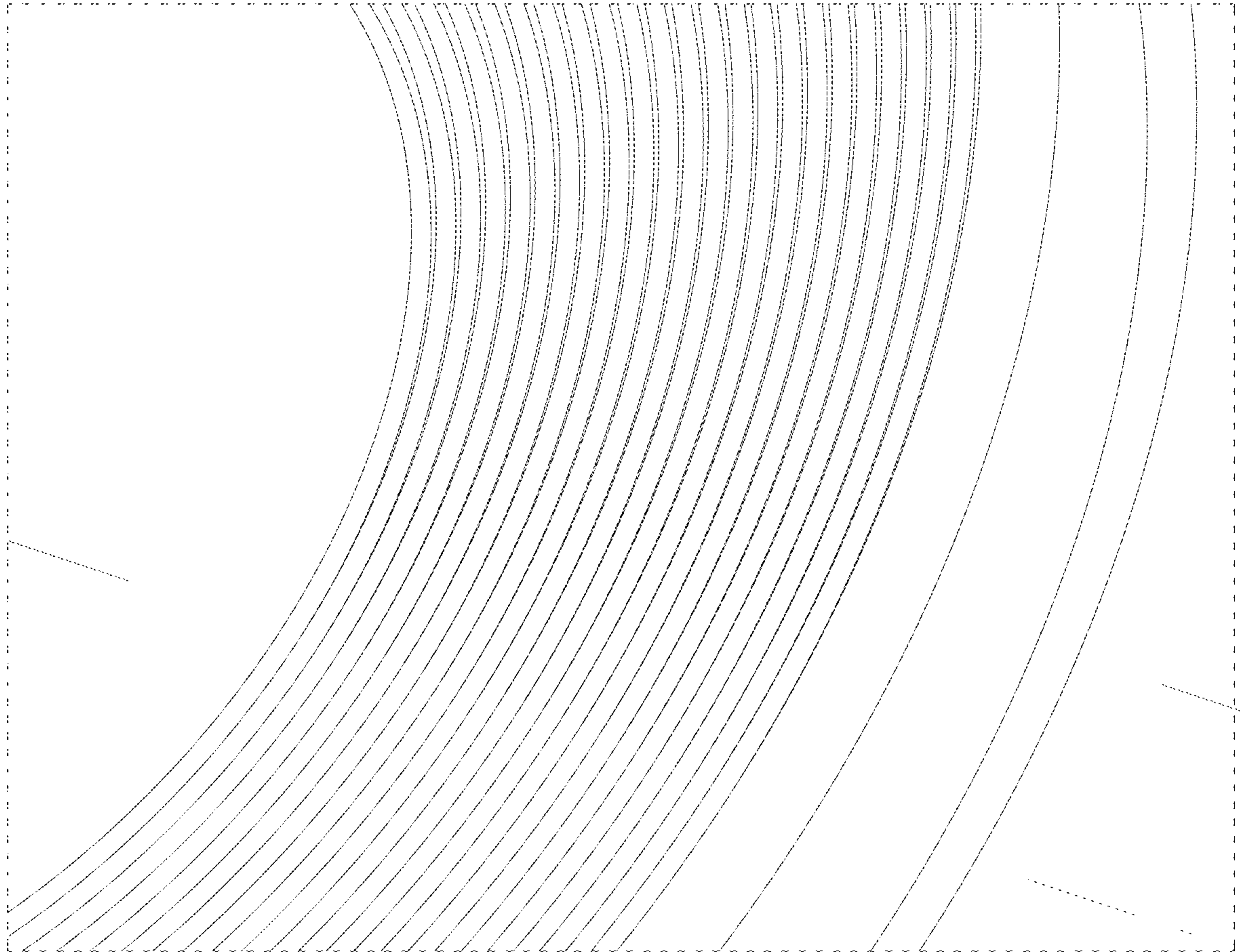


FIG. 10