

US00D962241S

(12) **United States Design Patent**
Zhou

(10) **Patent No.:** **US D962,241 S**

(45) **Date of Patent:** **** Aug. 30, 2022**

(54) **MONITOR PROTECTIVE CASE**

(71) Applicant: **Shenzhen Chaoshangyou Lepao Technology Co., Ltd.**, Guangdong (CN)

(72) Inventor: **Chaoran Zhou**, Guangdong (CN)

(73) Assignee: **Shenzhen Chaoshangyou Lepao Technology Co., Ltd.**, Shenzhen (CN)

(**) Term: **15 Years**

(21) Appl. No.: **29/767,442**

(22) Filed: **Jan. 22, 2021**

(30) **Foreign Application Priority Data**

Jan. 11, 2021 (CN) 202130015889.1

(51) **LOC (13) Cl.** **14-02**

(52) **U.S. Cl.**
USPC **D14/440**

(58) **Field of Classification Search**
USPC D14/440, 250, 447; 206/45.2, 45.23, 206/320; 361/679.55; 294/25; 224/218
CPC ... G06F 1/1628; G06F 1/1626; A47B 23/044; H04B 1/3888

See application file for complete search history.

(56) **References Cited**

U.S. PATENT DOCUMENTS

| | | | | |
|--------------|---------|-----------|-------|------------------------|
| D689,498 S * | 9/2013 | Akana | | D14/440 |
| D691,611 S * | 10/2013 | Kirzinger | | D14/440 |
| D701,205 S * | 3/2014 | Akana | | D14/341 |
| D723,041 S * | 2/2015 | Kim | | D14/440 |
| D723,568 S * | 3/2015 | Kim | | D14/440 |
| D727,919 S * | 4/2015 | Melmon | | D14/440 |
| D729,253 S * | 5/2015 | Nyholm | | D14/440 |
| D752,593 S * | 3/2016 | Diebel | | G06F 1/1628 D14/440 |

| | | | | |
|-------------------|---------|--------------|-------|-------------------------|
| D765,086 S * | 8/2016 | Lee | | D14/440 |
| D787,520 S * | 5/2017 | Wall | | D14/440 |
| D864,972 S * | 10/2019 | Chen | | D14/440 |
| D871,416 S * | 12/2019 | Han | | D14/440 |
| D887,415 S * | 6/2020 | Claudepierre | | D14/440 |
| D904,413 S * | 12/2020 | Feng | | D14/440 |
| D913,294 S * | 3/2021 | Li | | D14/440 |
| D942,459 S * | 2/2022 | Akana | | D14/440 |
| D947,855 S * | 4/2022 | Akana | | D14/444 |
| 2009/0194209 A1 * | 8/2009 | De Filippis | | A45C 11/00 206/320 |
| 2011/0266194 A1 * | 11/2011 | Bau | | H04B 1/3888 206/736 |
| 2014/0246340 A1 * | 9/2014 | Jiang | | A45C 11/00 206/45.23 |

(Continued)

Primary Examiner — Katie Jane Stofko

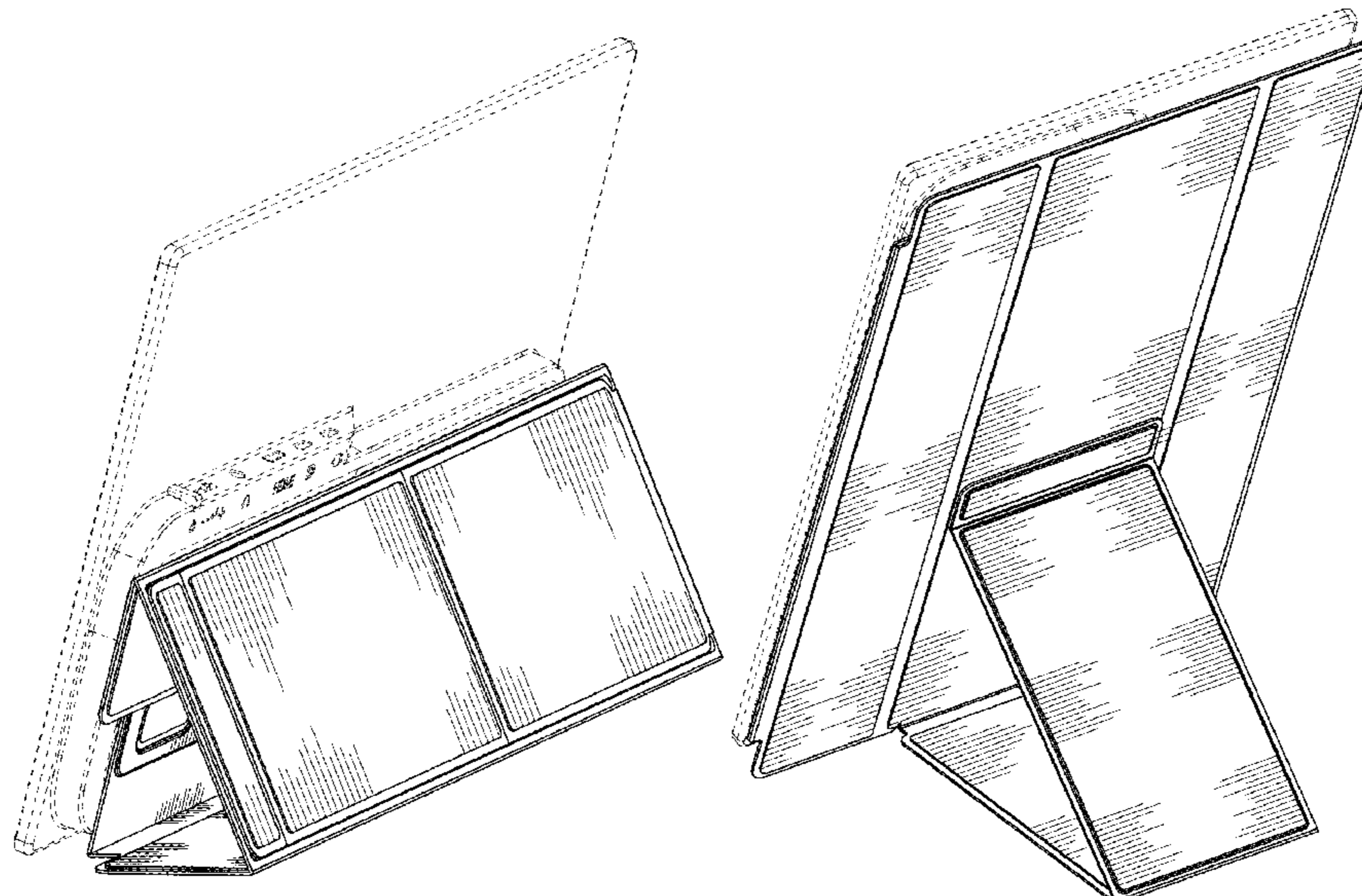
(57) **CLAIM**

The ornamental design for a monitor protective case, as shown and described.

DESCRIPTION

FIG. 1 is a front perspective view of a monitor protective case showing my new design;
 FIG. 2 is a rear perspective view thereof;
 FIG. 3 is a front elevational view thereof;
 FIG. 4 is a rear elevational view thereof;
 FIG. 5 is a left side elevation view thereof;
 FIG. 6 is a right side elevation view thereof;
 FIG. 7 is a top plan view thereof;
 FIG. 8 is a bottom plan view thereof;
 FIG. 9 is a perspective view thereof, shown in an environment of use in a first alternative position;
 FIG. 10 is a perspective view thereof, shown in an environment of use in a second alternative position; and,
 FIG. 11 is a perspective view thereof, shown in an environment of use in a third alternative position.
 The broken lines in the drawings illustrate environmental subject matters that form no part of the claimed design.

1 Claim, 11 Drawing Sheets



(56)

References Cited

U.S. PATENT DOCUMENTS

2015/0263776 A1* 9/2015 Shyu A45C 13/002
455/575.8
2015/0266610 A1* 9/2015 Melmon G06F 1/1626
206/45.23

* cited by examiner

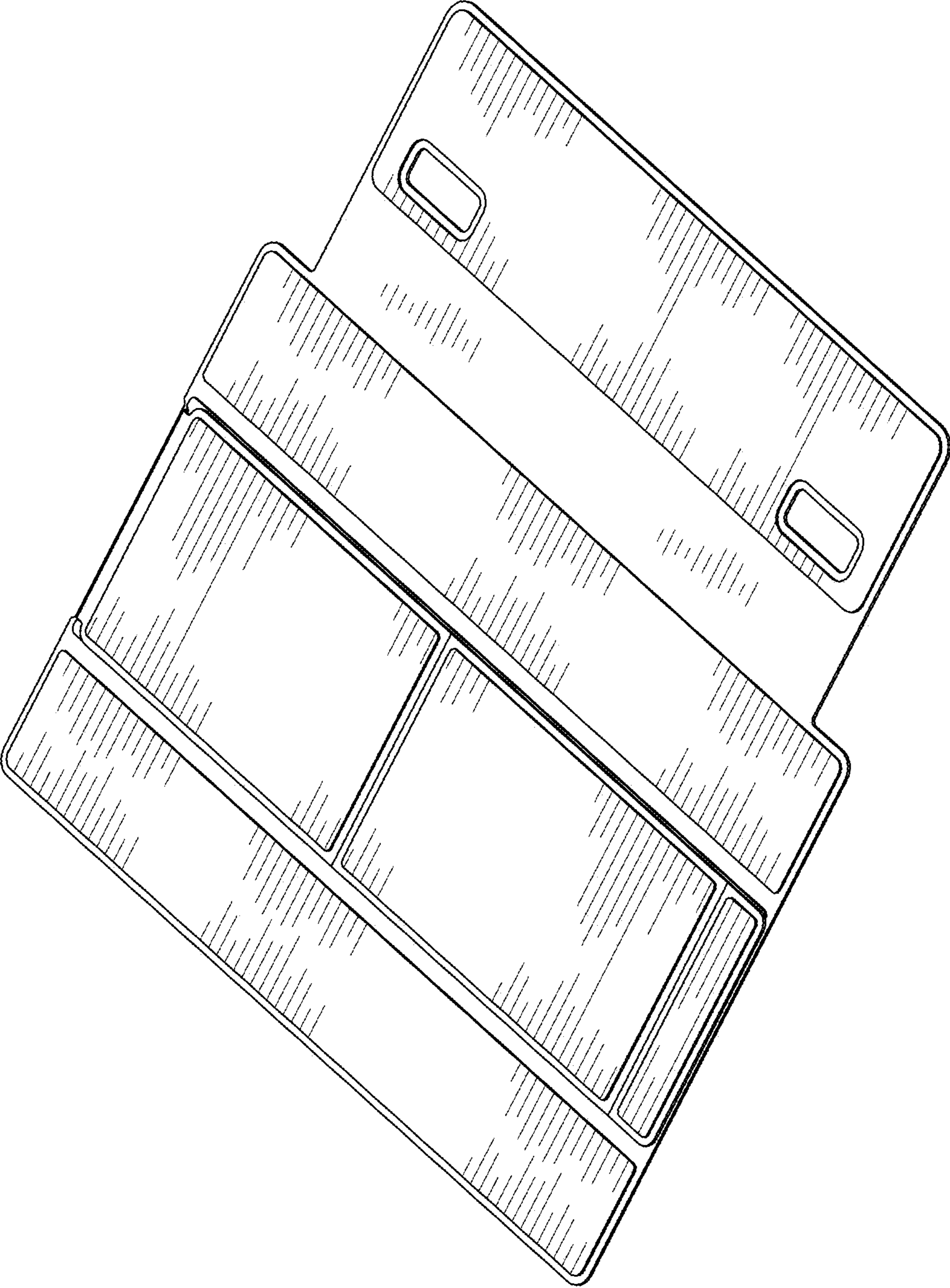


FIG.1

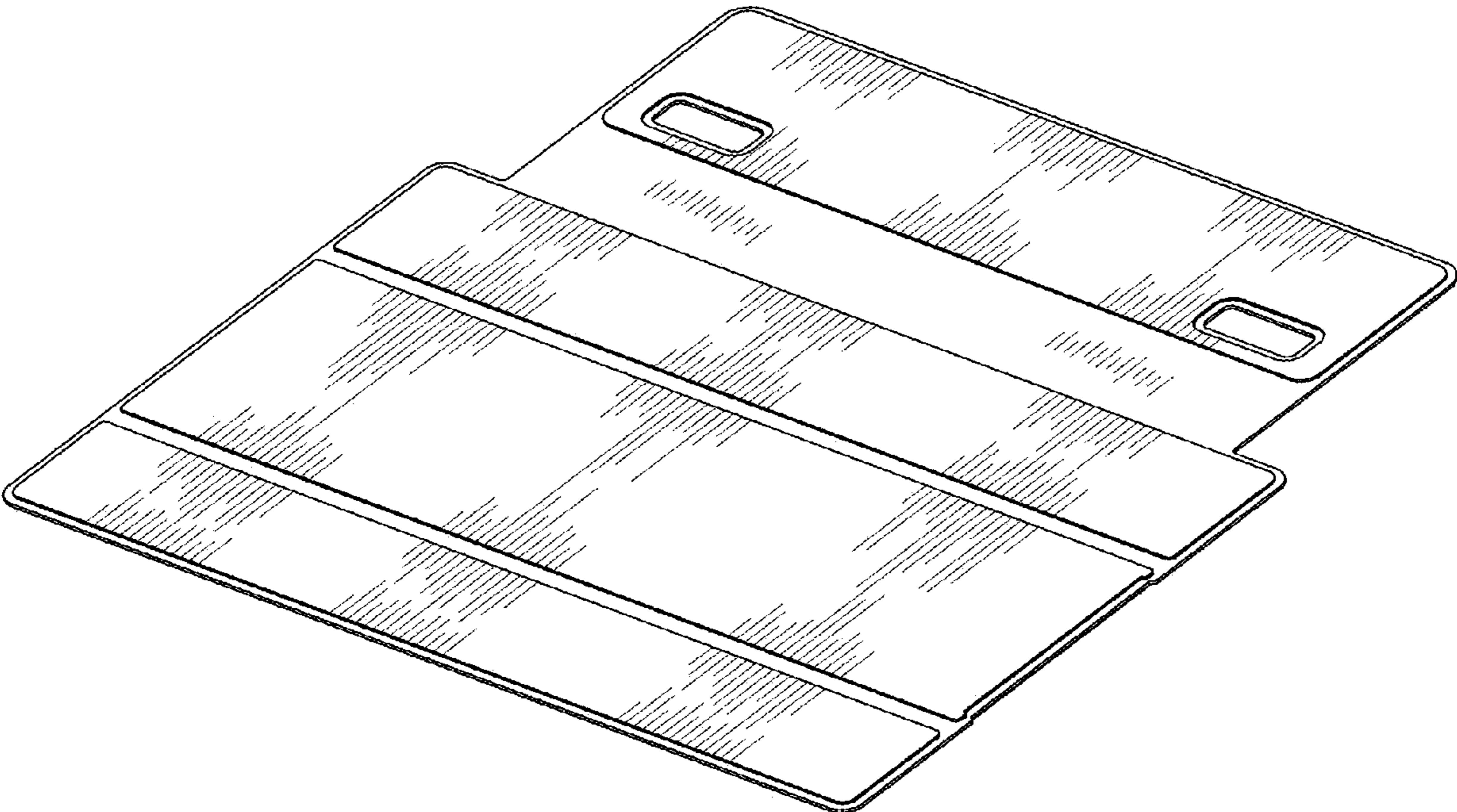


FIG.2

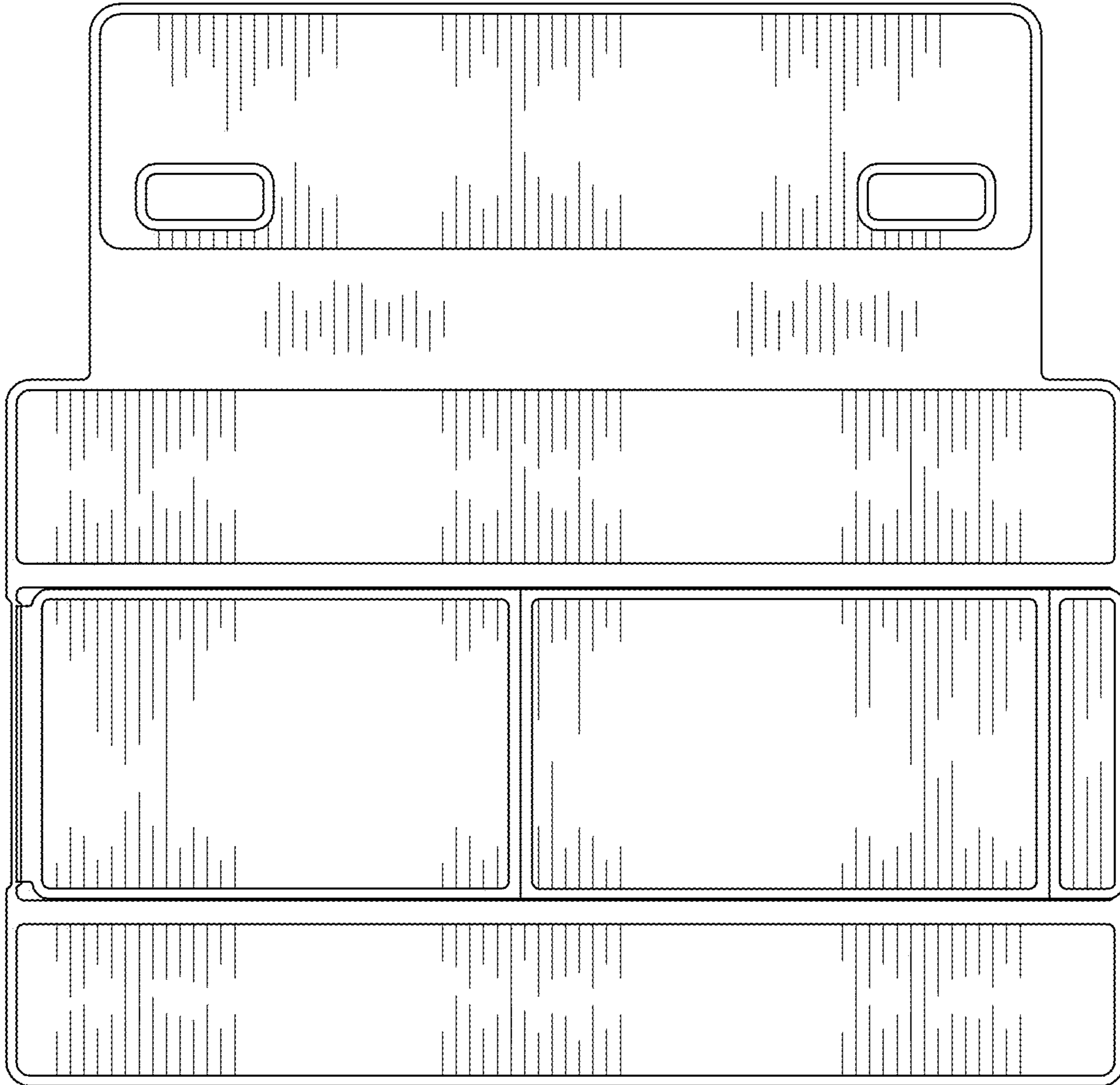


FIG.3

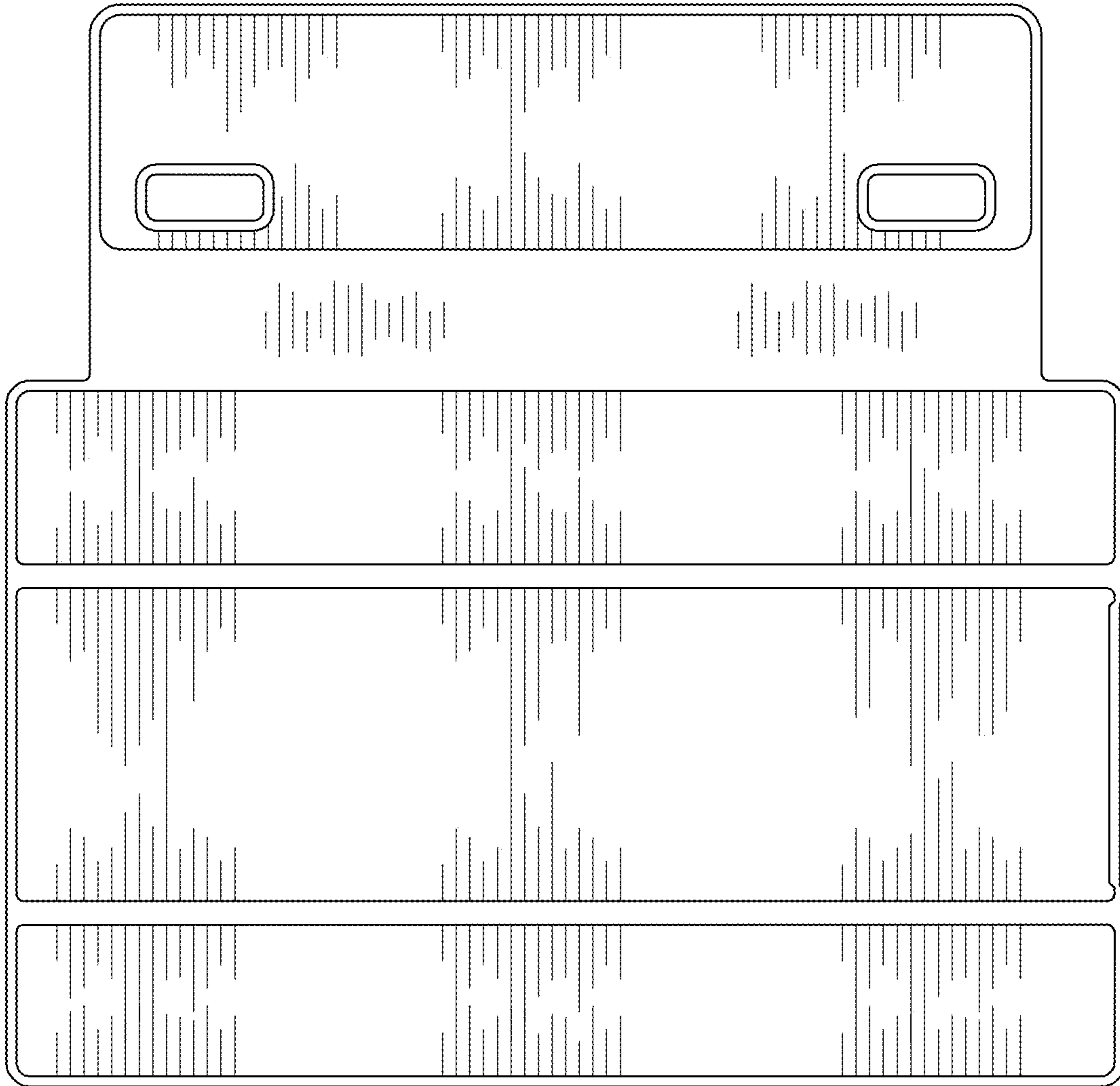


FIG.4



FIG.5



FIG.6



FIG.7



FIG.8

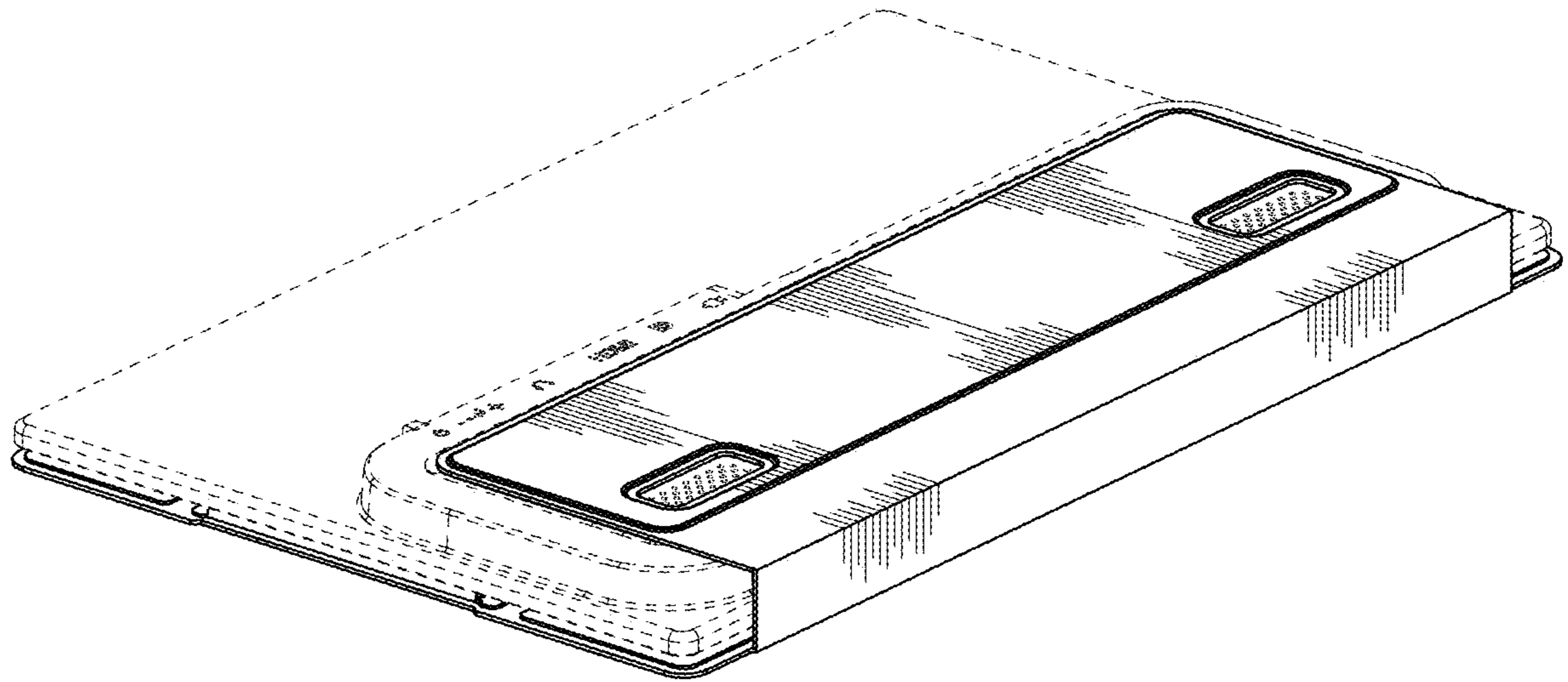


FIG.9

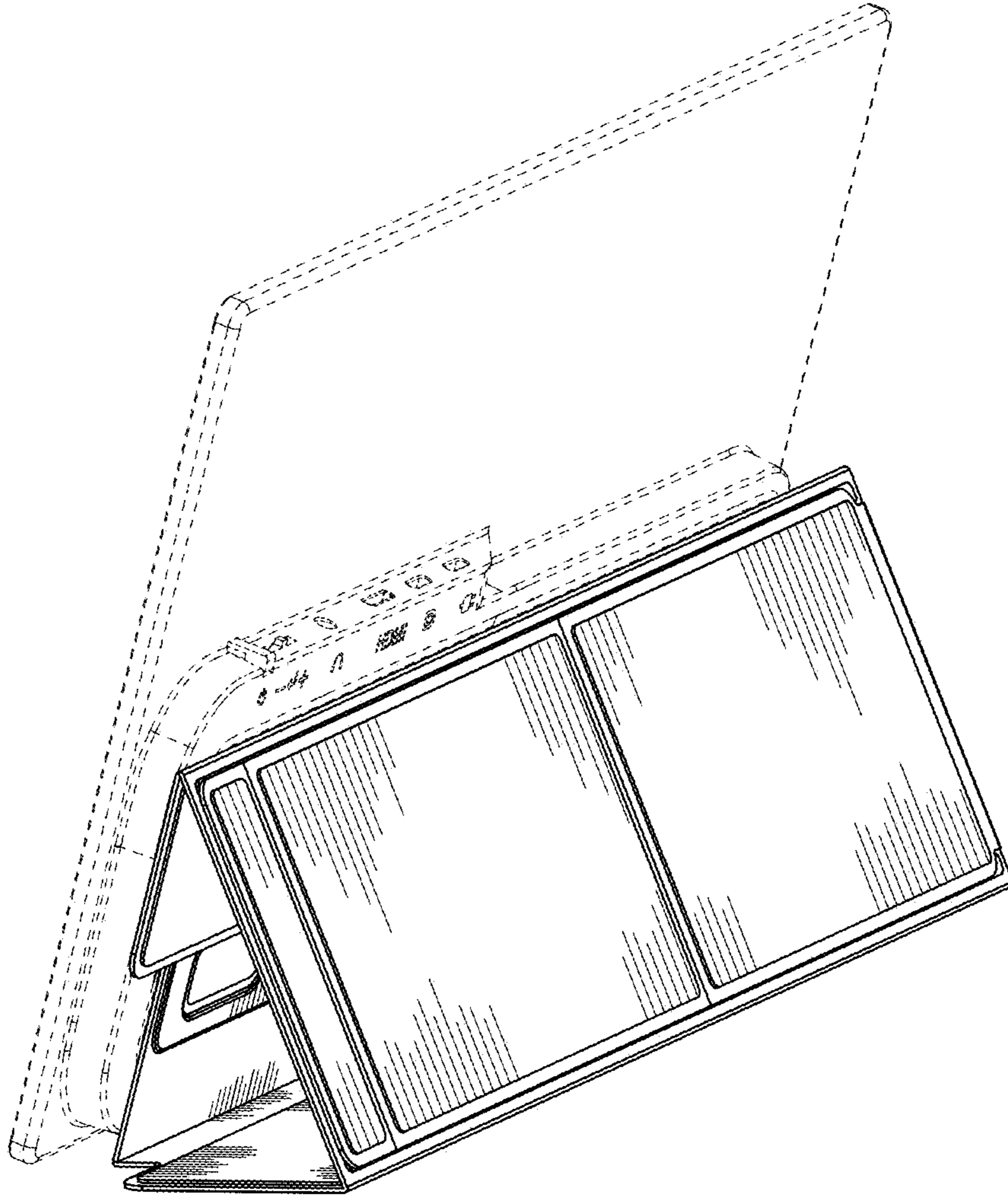


FIG.10

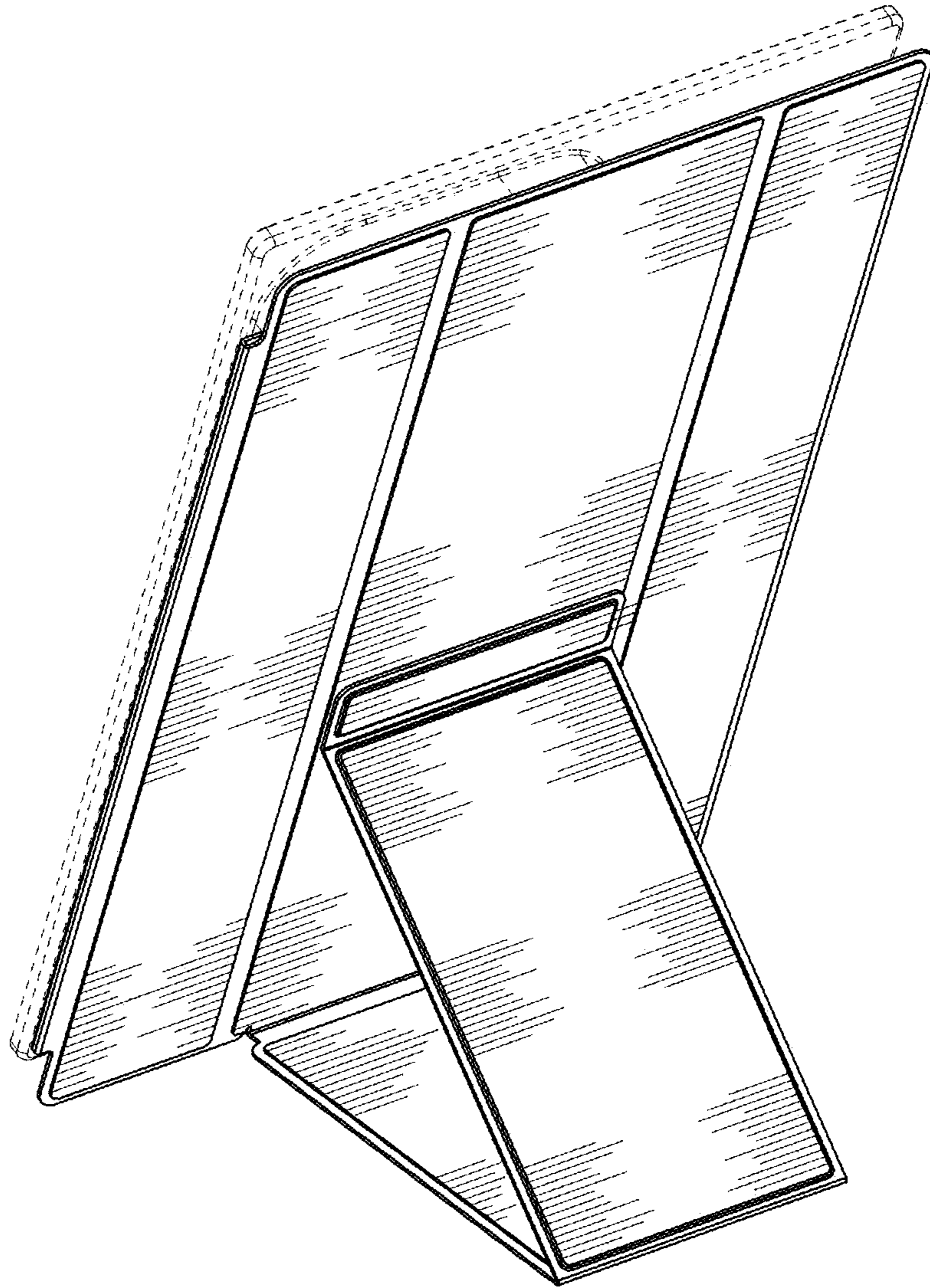


FIG.11