



US00D962238S

(12) **United States Design Patent**
Huang

(10) **Patent No.:** **US D962,238 S**

(45) **Date of Patent:** **** Aug. 30, 2022**

(54) **MOUSE**

(71) Applicant: **Shenzhen HuMaoGe Technology Co., Ltd.**, Shenzhen (CN)

(72) Inventor: **Jiongfan Huang**, Yongding (CN)

(**) Term: **15 Years**

(21) Appl. No.: **29/839,927**

(22) Filed: **May 25, 2022**

(30) **Foreign Application Priority Data**

Dec. 30, 2021 (CN) 202130874289.0

(51) **LOC (13) Cl.** **14-02**

(52) **U.S. Cl.**
USPC **D14/402**

(58) **Field of Classification Search**
USPC D14/402-411, 356, 388, 389, 383-385,
D14/417, 426; 345/156-167; 463/36-38;
358/471, 473; 273/148 B
CPC G06F 3/03543; G06F 2203/0333; G06F
3/039; G06F 3/038; G06F 2203/0384
See application file for complete search history.

(56) **References Cited**

U.S. PATENT DOCUMENTS

D630,214 S *	1/2011	Kim	D14/408
D654,918 S *	2/2012	Cheng	D14/402
D820,843 S *	6/2018	Lu	D14/402
D890,179 S	7/2020	Xu		
D900,822 S	11/2020	Lee et al.		
D903,679 S *	12/2020	Xu	D14/410

D903,680 S *	12/2020	Xu	D14/410
D904,409 S *	12/2020	Xu	D14/410
D908,699 S *	1/2021	Xu	D14/402
D909,376 S *	2/2021	Chan	D14/402
D923,007 S	6/2021	Depay et al.		
D929,403 S *	8/2021	Liu	D14/402
D934,865 S *	11/2021	Ehrenberg	D14/402
D940,141 S *	1/2022	Twohig	D14/402
D954,052 S *	6/2022	Chen	D14/408
D954,054 S *	6/2022	Huang	D14/402

* cited by examiner

Primary Examiner — Austin Murphy

(74) *Attorney, Agent, or Firm* — Runit Ranjit Kanakia

(57) **CLAIM**

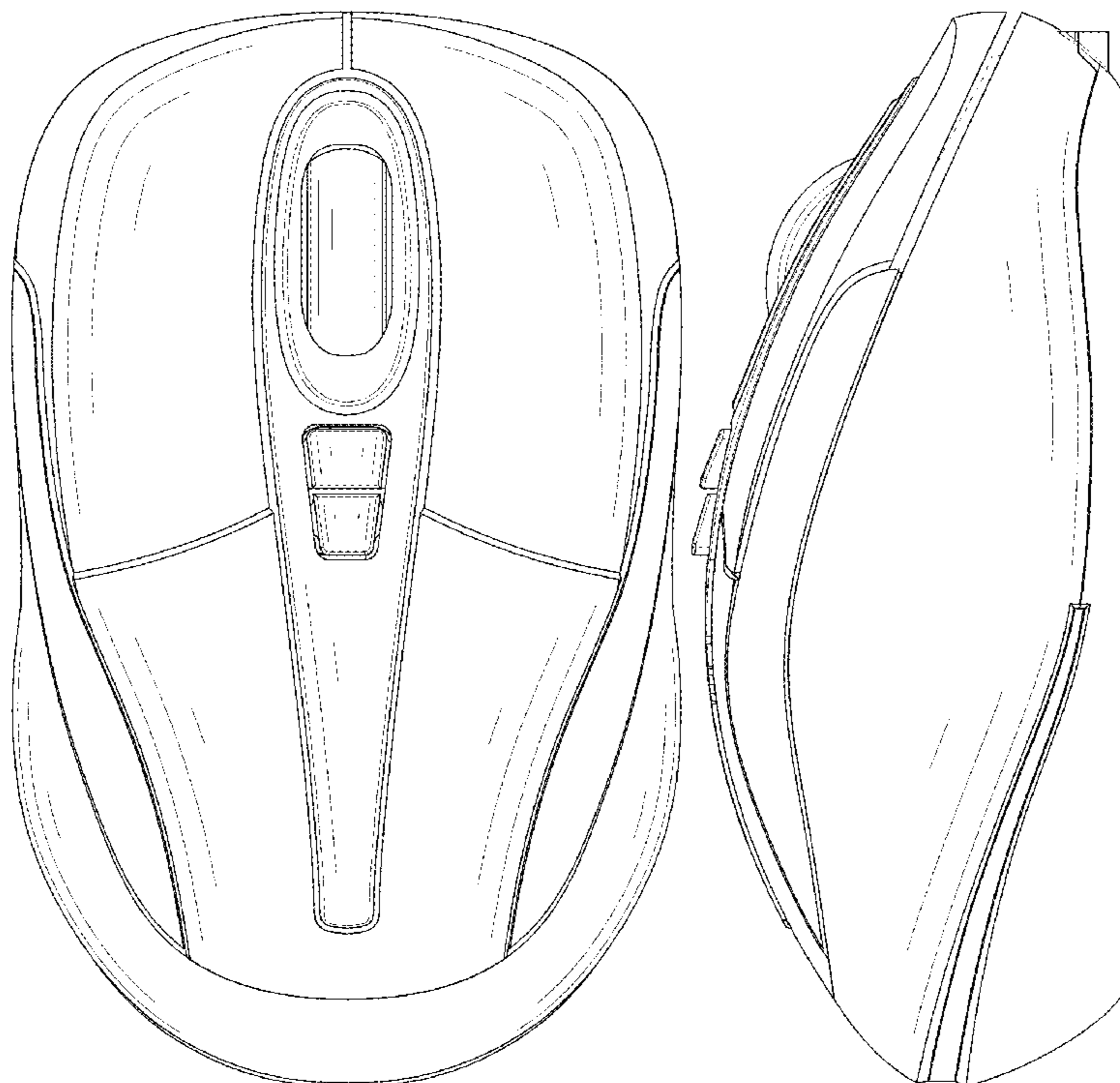
The ornamental design for a mouse, as shown and described.

DESCRIPTION

FIG. 1 is a first perspective view of a mouse showing my new design;
FIG. 2 is a second perspective view thereof;
FIG. 3 is a front view thereof;
FIG. 4 is a back view thereof;
FIG. 5 is a left side view thereof;
FIG. 6 is a right side view thereof;
FIG. 7 is a top view thereof;
FIG. 8 is a bottom view thereof; and,
FIG. 9 is an enlarged view of the selected portion 9 in FIG. 2.

The broken lines shown in the drawings depict portions of the mouse that form no part of the claimed design.

1 Claim, 9 Drawing Sheets



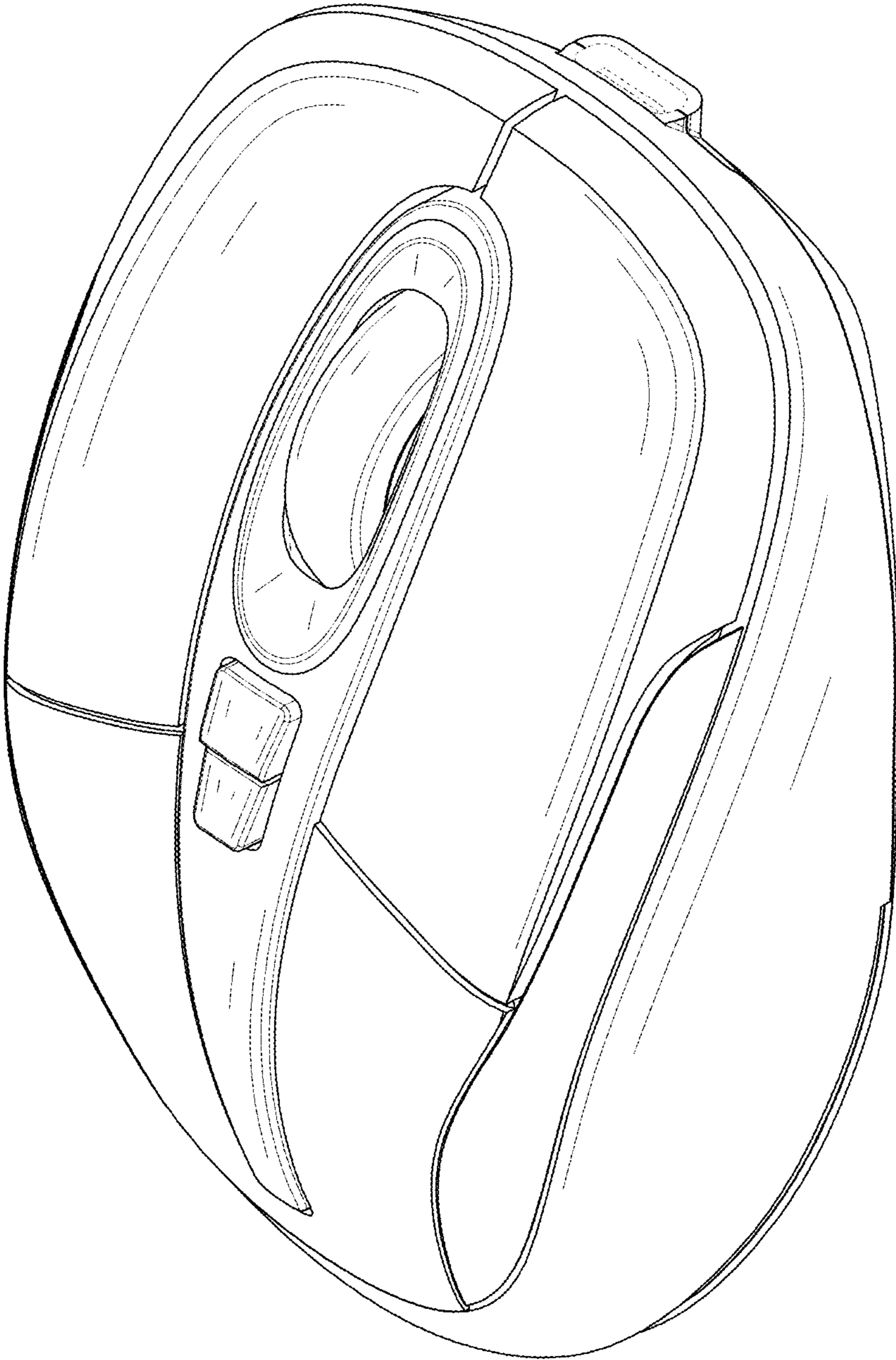


FIG. 1

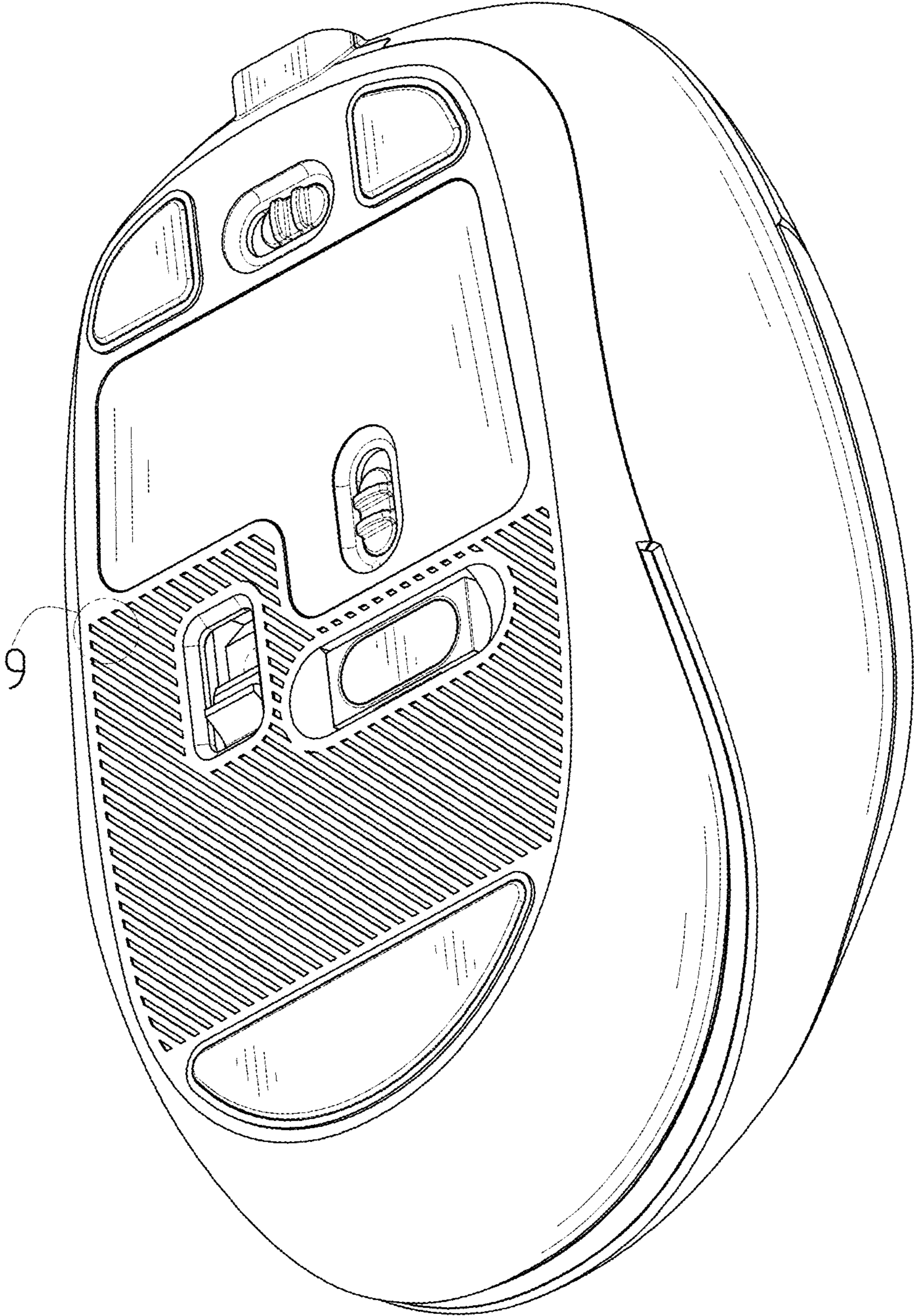


FIG. 2

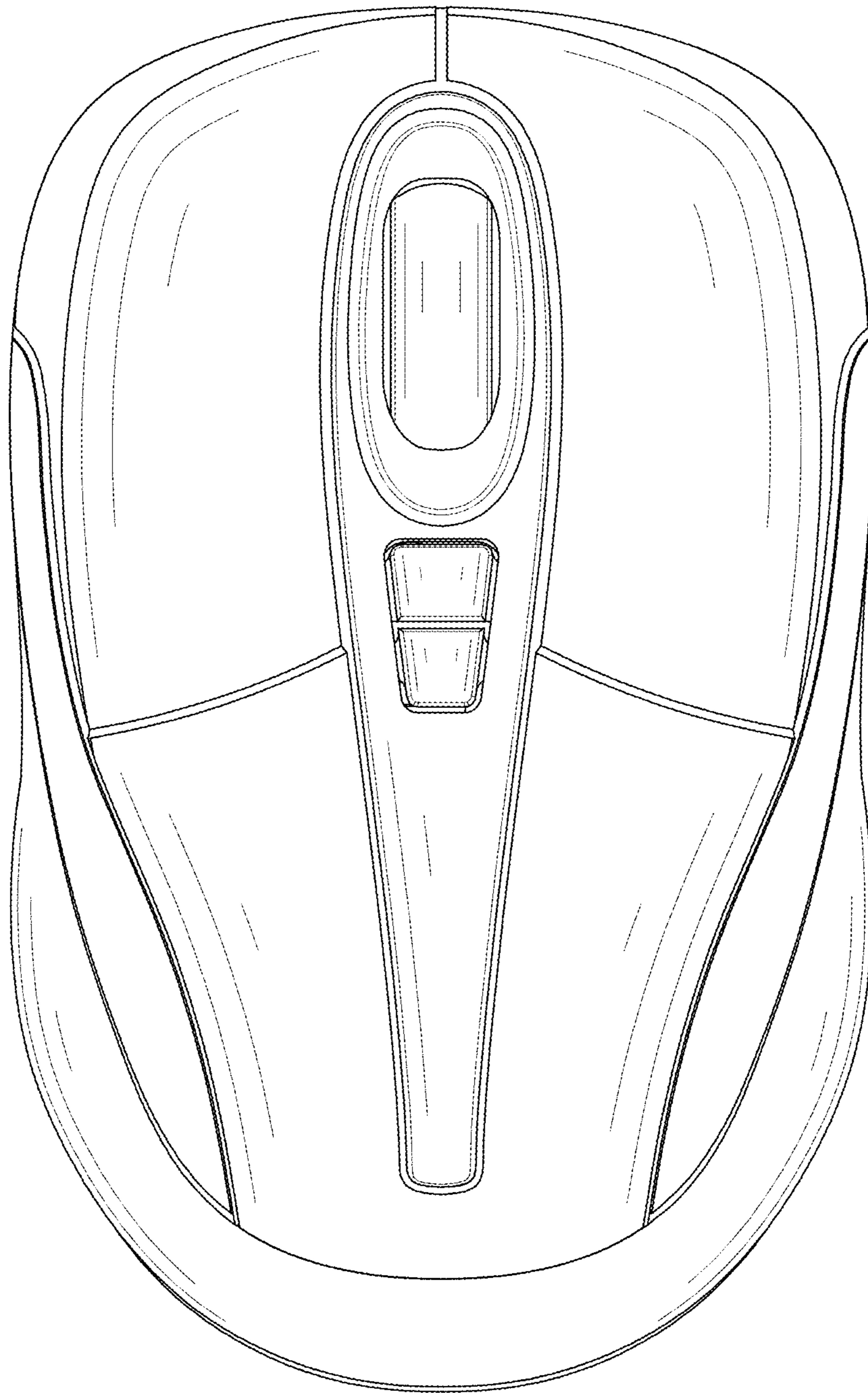


FIG. 3

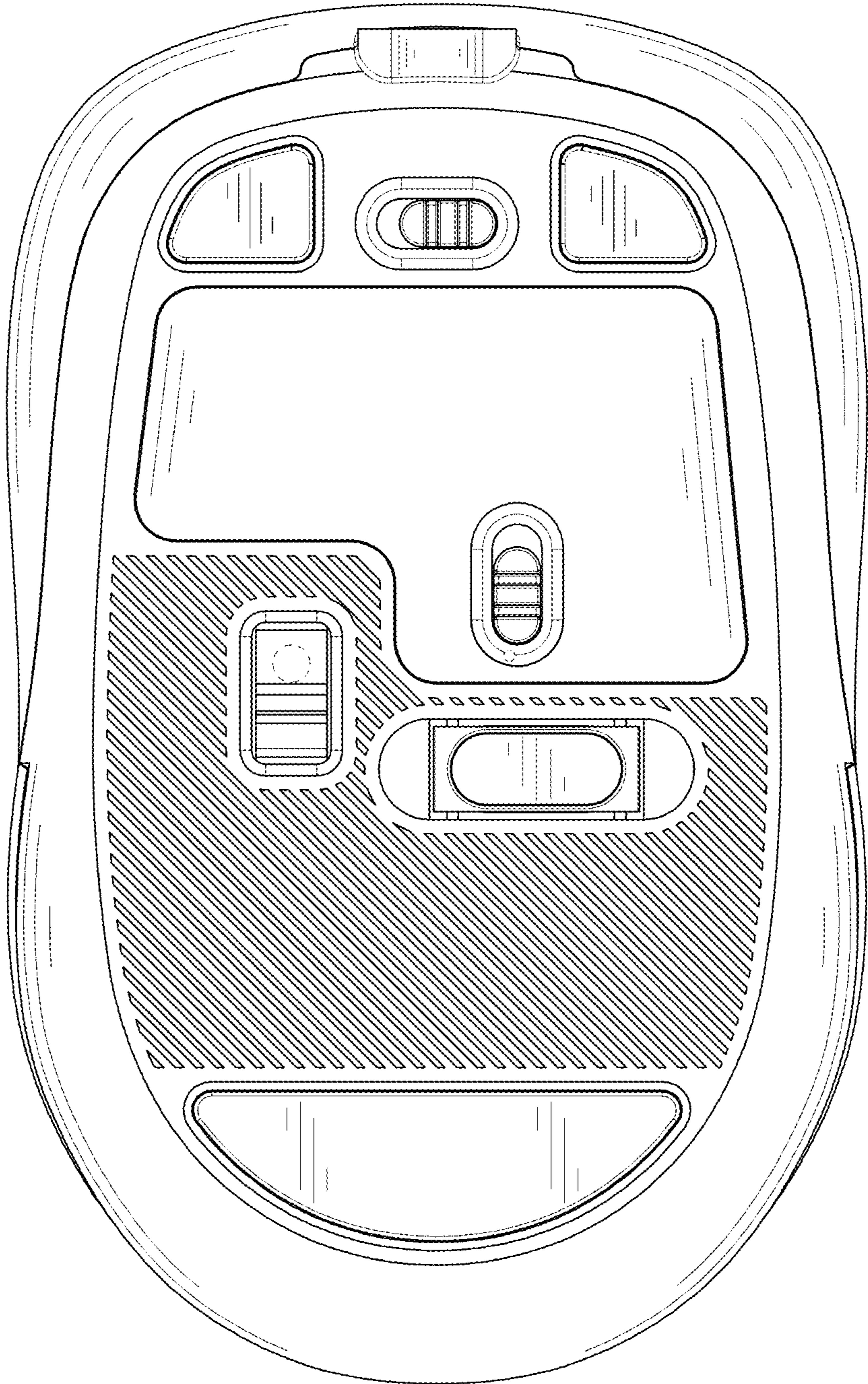


FIG. 4

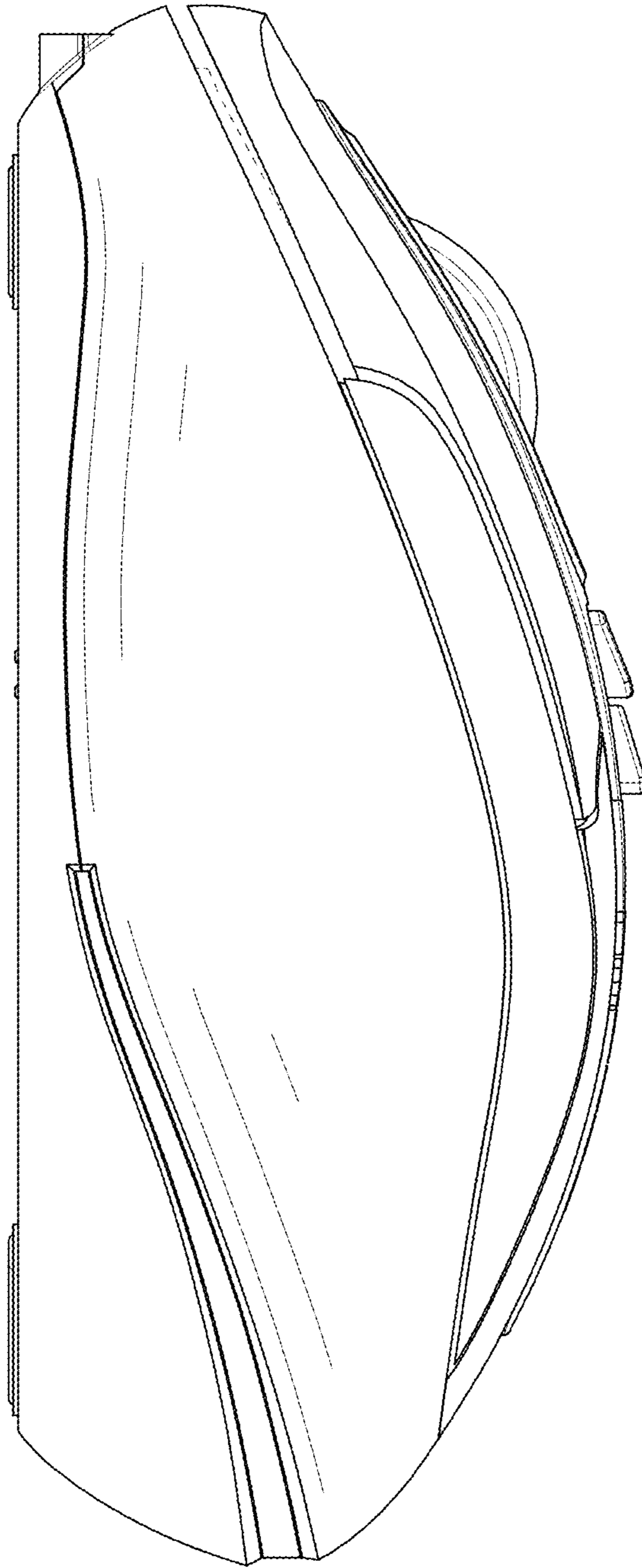


FIG. 5

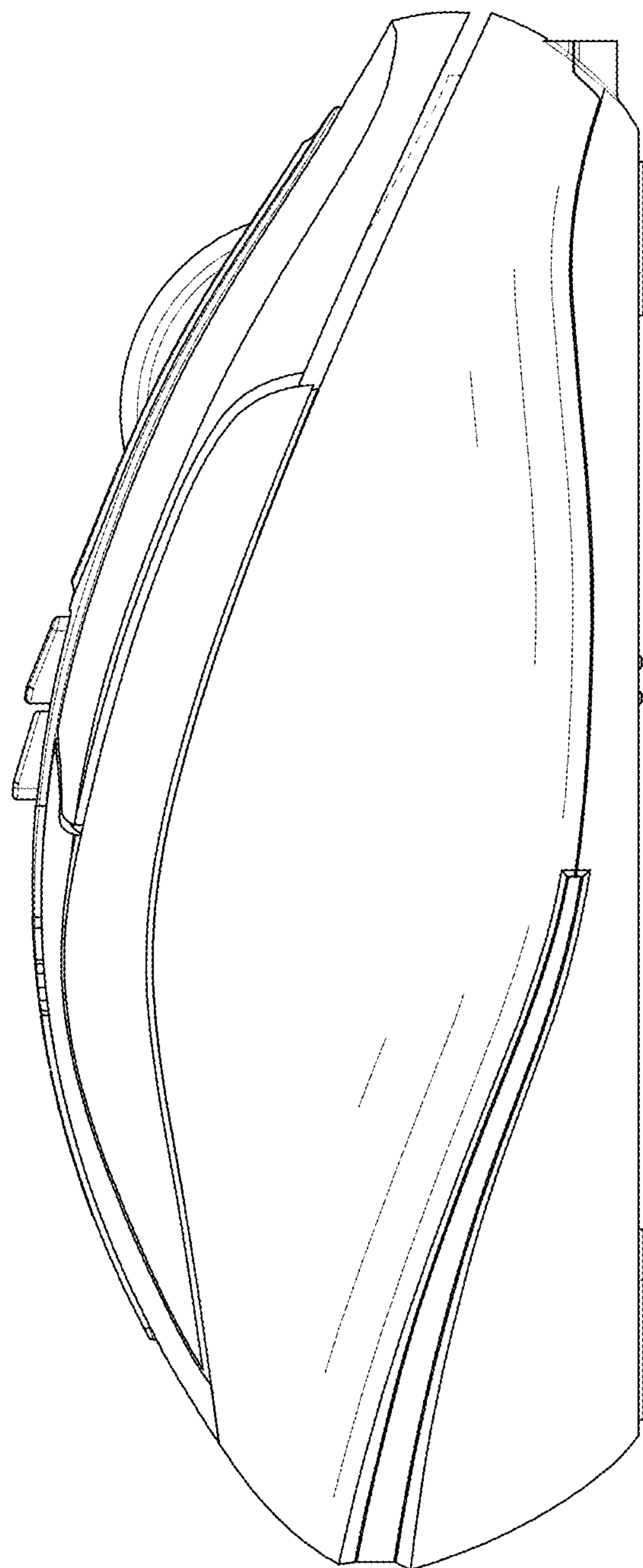


FIG. 6

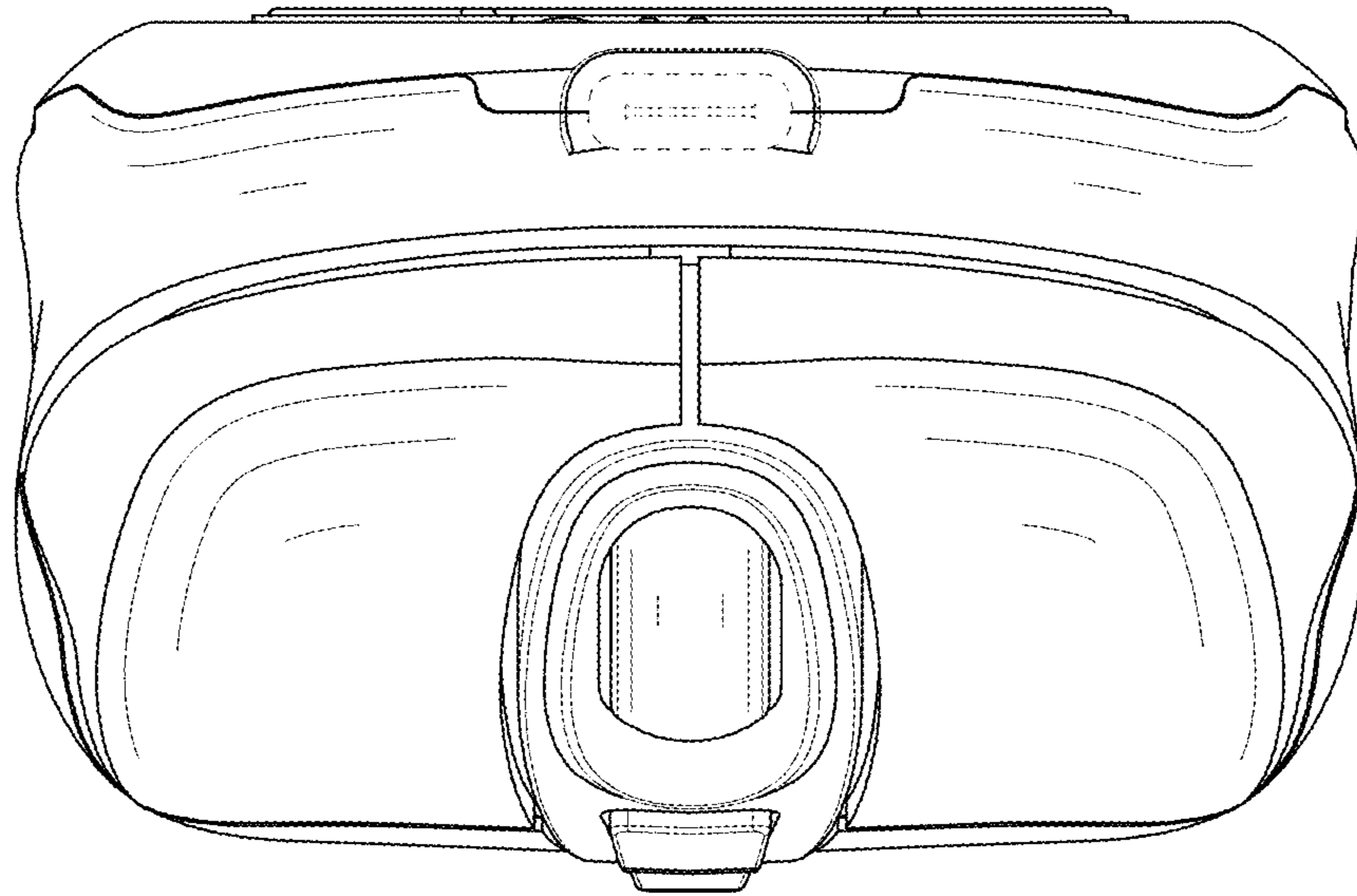


FIG. 7

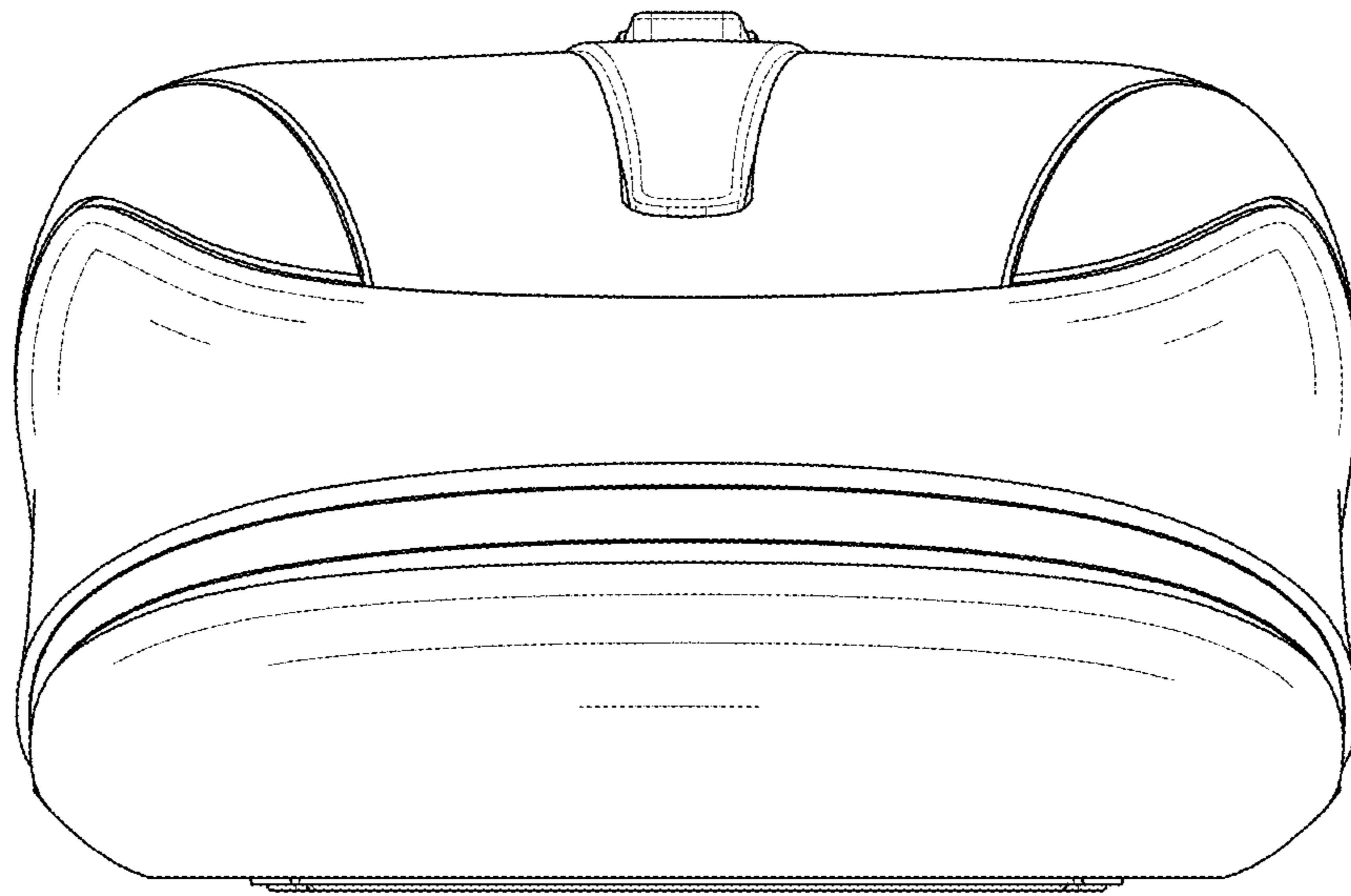


FIG. 8

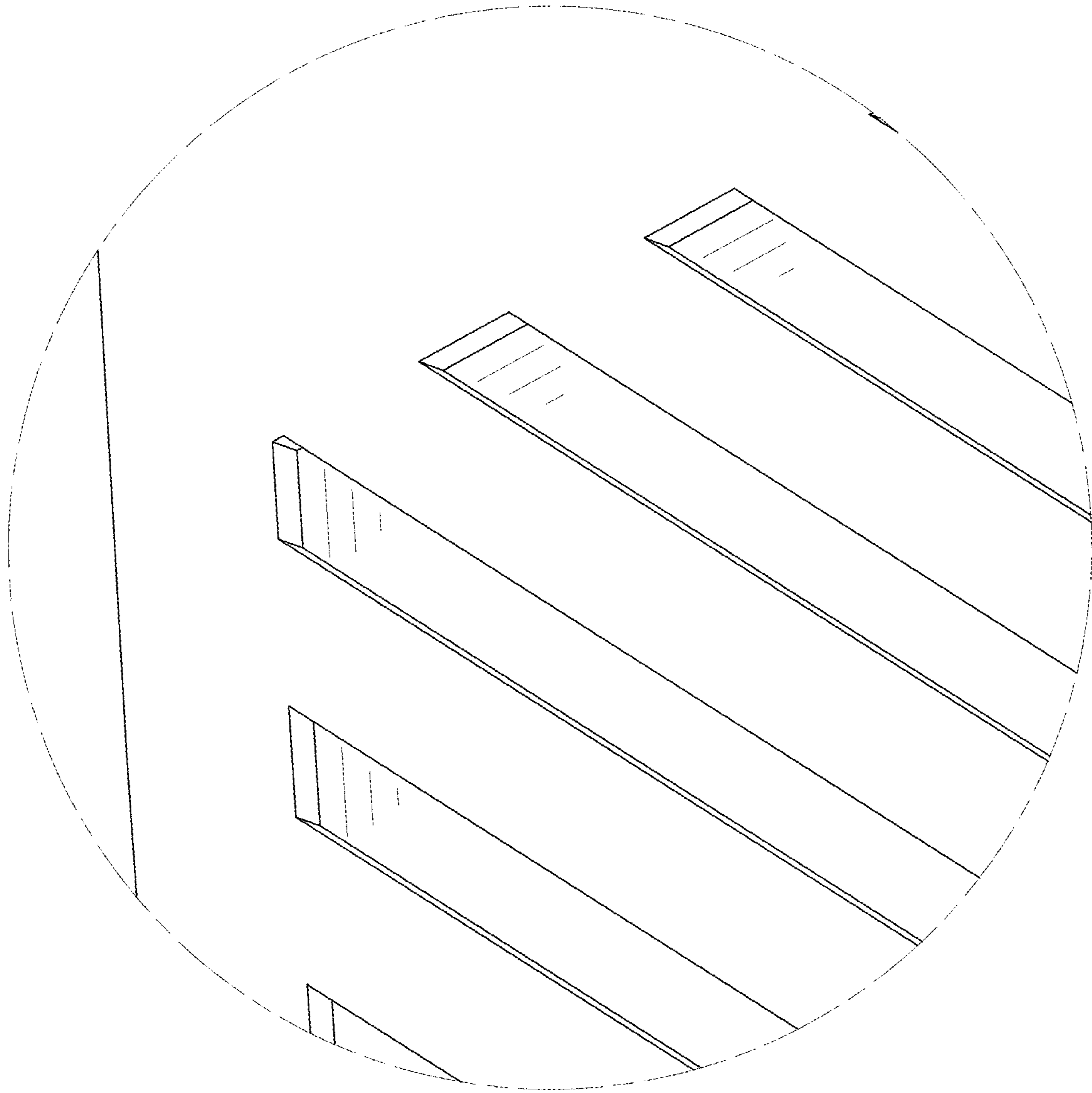


FIG. 9