



US00D962236S

(12) **United States Design Patent**
Akana et al.

(10) **Patent No.:** **US D962,236 S**
(45) **Date of Patent:** **** Aug. 30, 2022**

(54) **ELECTRONIC DEVICE**

(71) Applicant: **Apple Inc.**, Cupertino, CA (US)

(72) Inventors: **Jody Akana**, San Francisco, CA (US);
Bartley K. Andre, Palo Alto, CA (US);
Shota Aoyagi, San Francisco, CA (US);
Anthony Michael Ashcroft, San Francisco, CA (US);
Jeremy Bataillou, San Francisco, CA (US);
Daniel J. Coster, San Francisco, CA (US);
Daniele De Iuliis, San Francisco, CA (US);
M. Evans Hankey, San Francisco, CA (US);
Julian Hoenig, San Francisco, CA (US);
Richard P. Howarth, San Francisco, CA (US);
Jonathan P. Ive, San Francisco, CA (US);
Duncan Robert Kerr, San Francisco, CA (US);
Marc A. Newson, London (GB);
Matthew Dean Rohrbach, San Francisco, CA (US);
Peter Russell-Clarke, San Francisco, CA (US);
Benjamin Andrew Shaffer, San Jose, CA (US);
Mikael Silvano, San Francisco, CA (US);
Christopher J. Stringer, Woodside, CA (US);
Eugene Antony Whang, San Francisco, CA (US);
Rico Zörkendörfer, San Francisco, CA (US)

(73) Assignee: **Apple Inc.**, Cupertino, CA (US)

(**) Term: **15 Years**

(21) Appl. No.: **29/831,483**

(22) Filed: **Mar. 21, 2022**

Related U.S. Application Data

(63) Continuation of application No. 29/779,128, filed on Apr. 16, 2021, now Pat. No. Des. 947,182, which is (Continued)

(51) **LOC (13) Cl.** **14-02**

(52) **U.S. Cl.**

USPC **D14/344**

(58) **Field of Classification Search**

USPC D14/341–344, 144, 203.1, 203.3, 203.5, D14/203.7, 217, 238.1, 358, 432, 496; D10/30–32, 38–39, 70, 122–125 (Continued)

(56) **References Cited**

U.S. PATENT DOCUMENTS

D494,070 S * 8/2004 Debetaz D10/32
D724,103 S * 3/2015 Akana D14/203.1 (Continued)

FOREIGN PATENT DOCUMENTS

SG 30201400305R-0001 * 2/2015
SG 30201501005Y-0001 * 6/2015

Primary Examiner — Rebekah A Caruso

(74) *Attorney, Agent, or Firm* — Sterne, Kessler, Goldstein & Fox P.L.L.C.

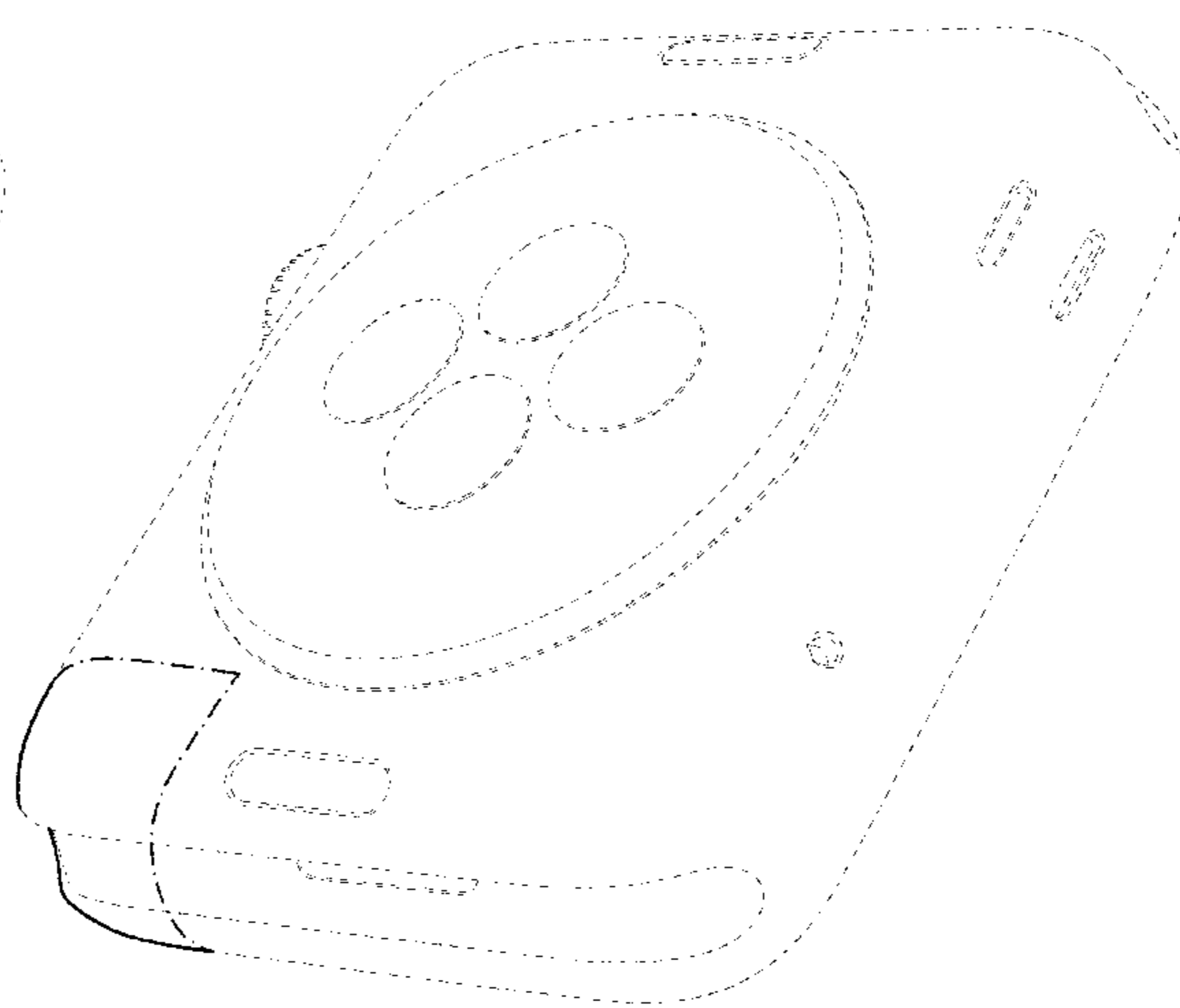
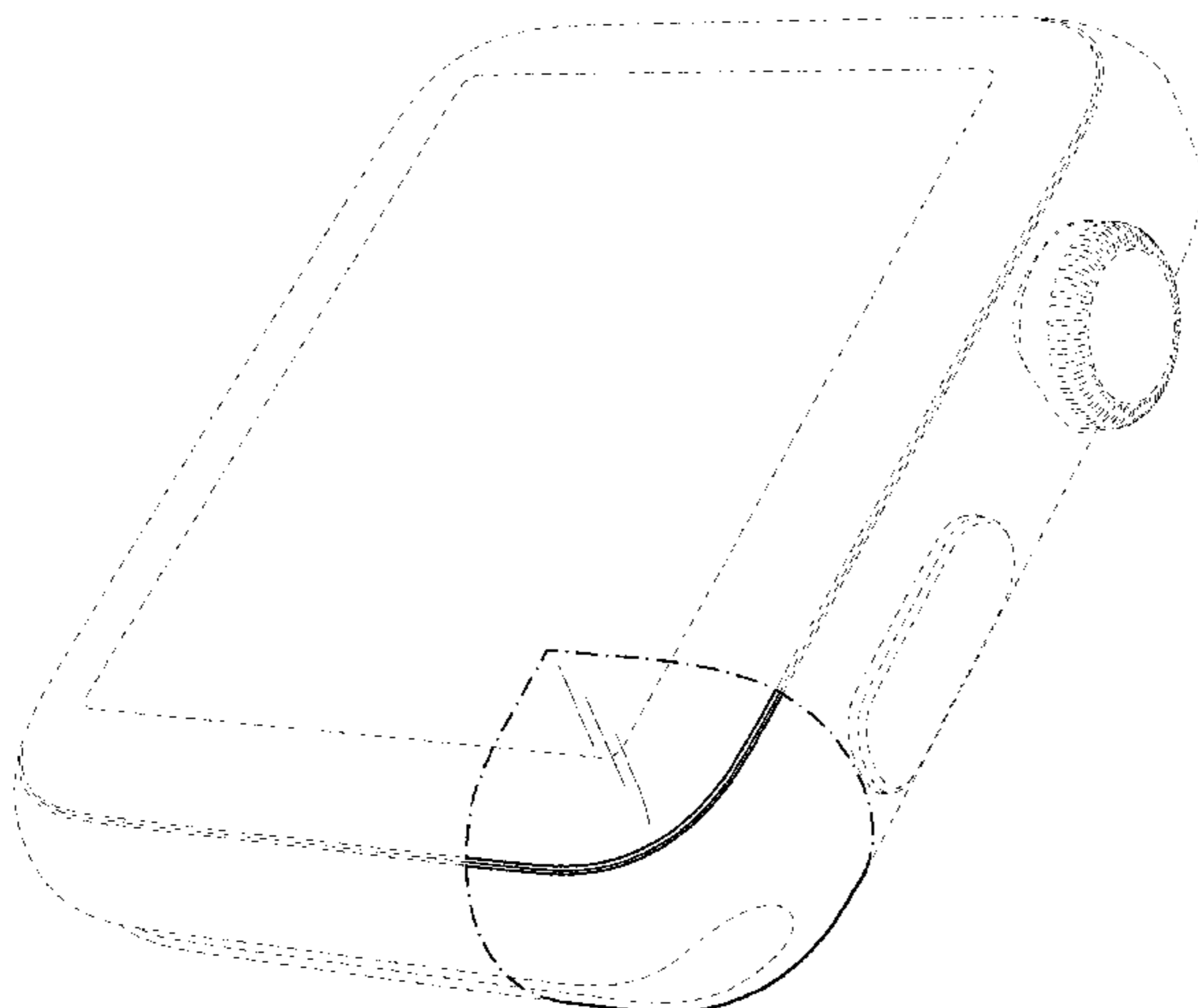
(57) **CLAIM**

The ornamental design for an electronic device, as shown and described.

DESCRIPTION

FIG. 1 is a bottom front perspective view of an electronic device showing the claimed design;
FIG. 2 is a bottom rear perspective view thereof;
FIG. 3 is a front view thereof;
FIG. 4 is a rear view thereof;
FIG. 5 is a left side view thereof;
FIG. 6 is a right side view thereof;
FIG. 7 is a top view thereof;
FIG. 8 is a bottom view thereof; and,
FIG. 9 is a bottom front perspective view showing the claimed design in an environment in which it may be used. The dashed broken lines in the figures show portions of the electronic device that form no part of the claimed design and the additional dashed broken lines in FIG. 9 depicting a

(Continued)



watch band show environment that forms no part of the claimed design. The dot-dash broken lines in the figures show boundaries that form no part of the claimed design. The oblique shade lines in the figures show transparency or translucency.

1 Claim, 7 Drawing Sheets

Related U.S. Application Data

a continuation of application No. 29/723,735, filed on Feb. 10, 2020, now Pat. No. Des. 916,699, which is a continuation of application No. 29/622,098, filed on Oct. 13, 2017, now Pat. No. Des. 875,092, which is a continuation of application No. 29/578,799, filed on Sep. 23, 2016, now Pat. No. Des. 800,172, which is a continuation of application No. 29/518,754, filed on Feb. 26, 2015, now Pat. No. Des. 768,724, which is a continuation of application No. 29/499,042, filed on Aug. 11, 2014, now Pat. No. Des. 728,624.

- (58) **Field of Classification Search**
 CPC G06F 1/1626; G06F 1/1628; G06F 1/163;
 H04B 1/38; H04B 1/3833; H04B 1/385;
 H04B 1/3888; H04M 1/02; H04M 1/03;
 H04M 1/04; H04M 1/05
 See application file for complete search history.

(56) **References Cited**

U.S. PATENT DOCUMENTS

D728,624 S * 5/2015 Akana D14/496
 D737,156 S * 8/2015 Akana D10/70
 D737,157 S * 8/2015 Akana D10/70
 D737,158 S * 8/2015 Akana D10/70
 D737,159 S * 8/2015 Akana D10/70
 D741,726 S * 10/2015 Akana D10/70
 D744,356 S * 12/2015 Akana D10/70
 D745,421 S * 12/2015 Akana D10/70
 D746,707 S * 1/2016 Akana D10/70
 D751,070 S * 3/2016 Akana D14/344
 D752,044 S * 3/2016 Akana D14/344
 D756,357 S * 5/2016 Akana D14/344
 D756,822 S * 5/2016 Akana D10/70
 D756,823 S * 5/2016 Akana D10/70
 D756,824 S * 5/2016 Akana D10/70
 D756,825 S * 5/2016 Akana D10/70
 D757,722 S * 5/2016 Akana D10/70
 D757,819 S * 5/2016 Akana D14/496
 D758,219 S * 6/2016 Akana D10/70
 D759,011 S * 6/2016 Akana D14/344
 D759,121 S * 6/2016 Akana D14/203.7
 D759,725 S * 6/2016 Akana D14/496
 D760,716 S * 7/2016 Akana D14/344
 D761,793 S * 7/2016 Akana D10/70
 D764,346 S * 8/2016 Akana D11/94
 D764,967 S * 8/2016 Akana D11/94
 D766,752 S * 9/2016 Akana D10/70

D766,893 S * 9/2016 Akana D10/70
 D766,904 S * 9/2016 Jung D14/440
 D768,724 S * 10/2016 Akana D14/496
 D769,879 S * 10/2016 Kim D14/440
 D770,533 S * 11/2016 Akana D14/203.7
 D771,035 S * 11/2016 Akana D14/344
 D771,036 S * 11/2016 Akana D14/344
 D771,037 S * 11/2016 Akana D14/344
 D771,038 S * 11/2016 Akana D14/344
 D777,163 S * 1/2017 Akana D14/344
 D781,853 S * 3/2017 Akana D14/344
 D784,327 S * 4/2017 Akana D10/70
 D784,831 S * 4/2017 Akana D10/70
 D790,517 S * 6/2017 Akana D14/244
 D795,864 S * 8/2017 Akana D14/344
 D797,150 S * 9/2017 Akana D14/511
 D797,809 S * 9/2017 Akana D14/511
 D798,905 S * 10/2017 Akana D14/511
 D800,172 S * 10/2017 Akana D14/511
 D802,587 S * 11/2017 Lee D14/344
 D805,513 S * 12/2017 Akana D14/344
 D828,352 S * 9/2018 Akana D14/344
 D832,252 S * 10/2018 Akana D14/344
 D836,102 S * 12/2018 Akana D14/344
 D842,740 S * 3/2019 Akana D10/122
 D842,855 S * 3/2019 Akana D14/344
 D854,432 S * 7/2019 Akana D10/70
 D866,350 S * 11/2019 Park D14/344
 D867,179 S * 11/2019 Akana D10/70
 D874,458 S * 2/2020 Akana D14/344
 D875,576 S * 2/2020 Akana D10/70
 D875,587 S * 2/2020 Akana D10/122
 D876,244 S * 2/2020 Park D10/32
 D879,628 S * 3/2020 Akana D10/70
 D882,563 S * 4/2020 Akana D14/344
 D882,565 S * 4/2020 Akana D14/344
 D882,566 S * 4/2020 Akana D14/344
 D883,976 S * 5/2020 Akana D14/344
 D883,977 S * 5/2020 Akana D14/344
 D887,406 S * 6/2020 Mao D14/344
 D900,809 S * 11/2020 Gao D14/344
 D901,493 S * 11/2020 Gao D14/344
 D905,051 S * 12/2020 Akana D14/344
 D912,665 S * 3/2021 Zhang D14/344
 D916,699 S * 4/2021 Akana D14/344
 D917,467 S * 4/2021 Akana D14/344
 D917,470 S * 4/2021 Akana D14/344
 D922,378 S * 6/2021 Lin D14/344
 D923,621 S * 6/2021 Akana D14/344
 D923,622 S * 6/2021 Akana D14/344
 D933,496 S * 10/2021 Liu D3/274
 D935,453 S * 11/2021 Gao D14/344
 D939,372 S * 12/2021 Akana D10/128
 D940,706 S * 1/2022 Wu D14/344
 D942,277 S * 2/2022 Akana D10/32
 D946,444 S * 3/2022 Akana D10/122
 D947,053 S * 3/2022 Akana D10/122
 D947,181 S * 3/2022 Akana D14/344
 D947,182 S * 3/2022 Akana D14/344
 D947,692 S * 4/2022 Akana D10/70
 D947,840 S * 4/2022 Akana D14/344
 D948,358 S * 4/2022 Akana D10/70
 D949,144 S * 4/2022 Akana D14/344
 D949,146 S * 4/2022 Akana D14/344

* cited by examiner

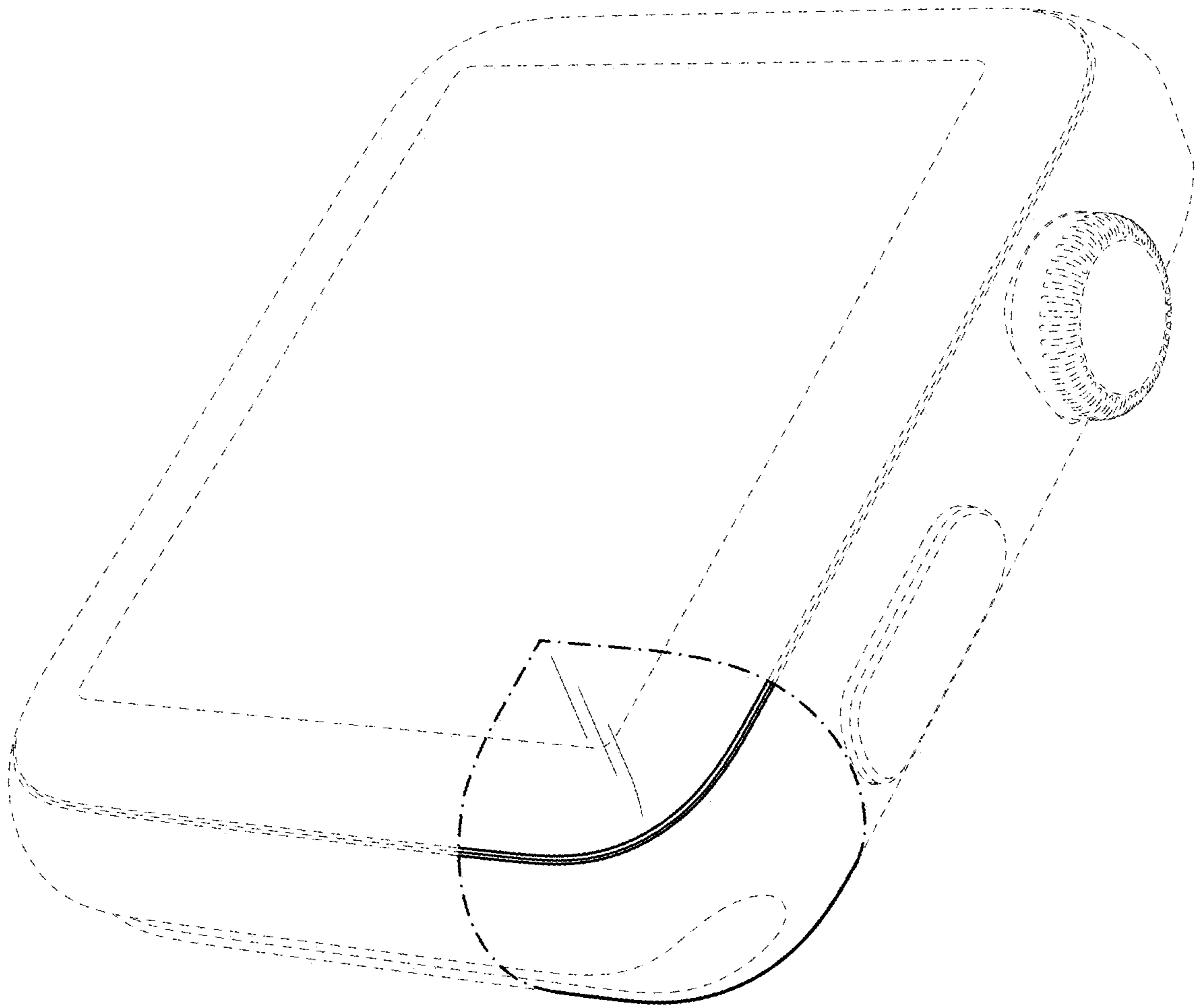


FIG. 1

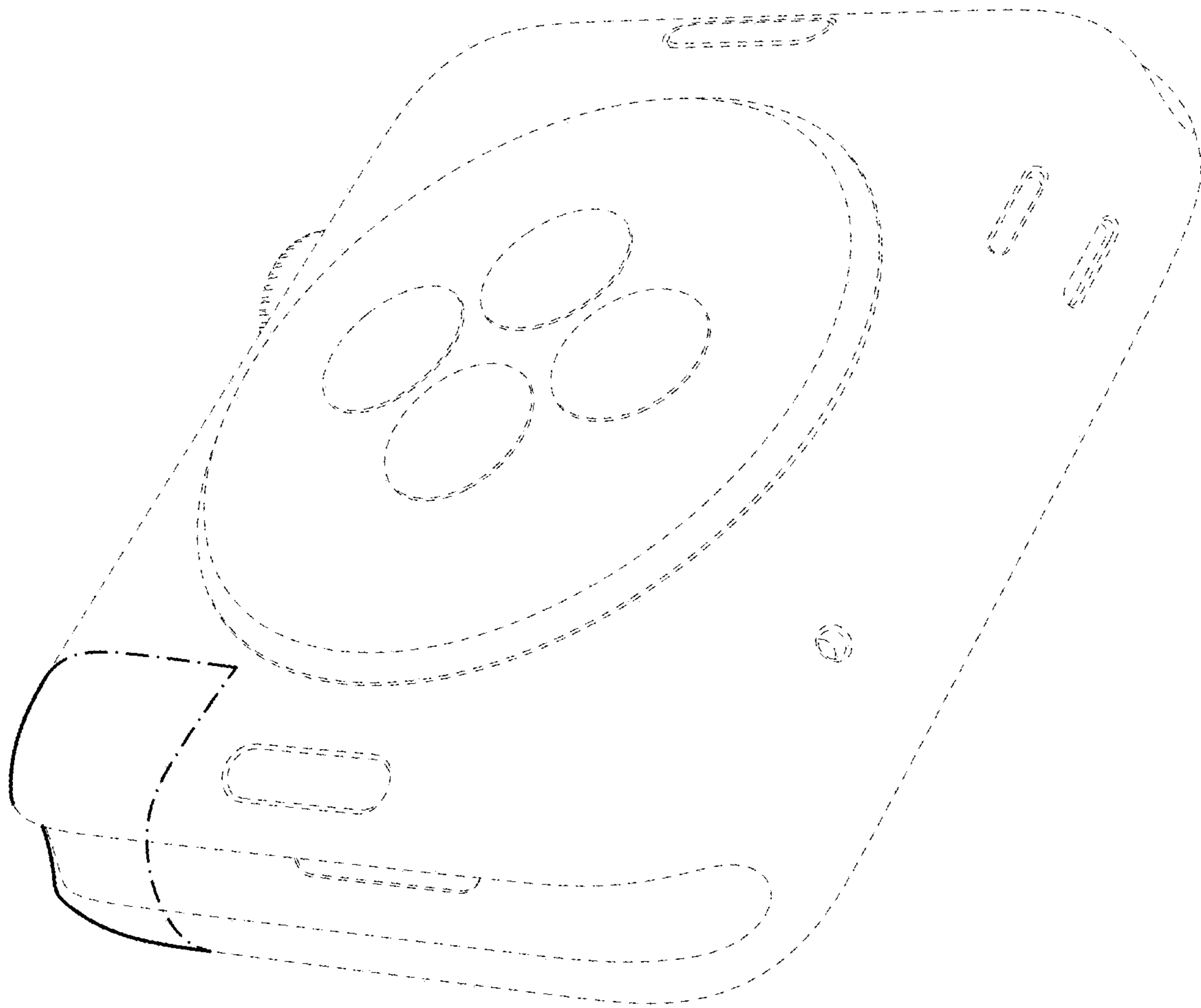


FIG. 2

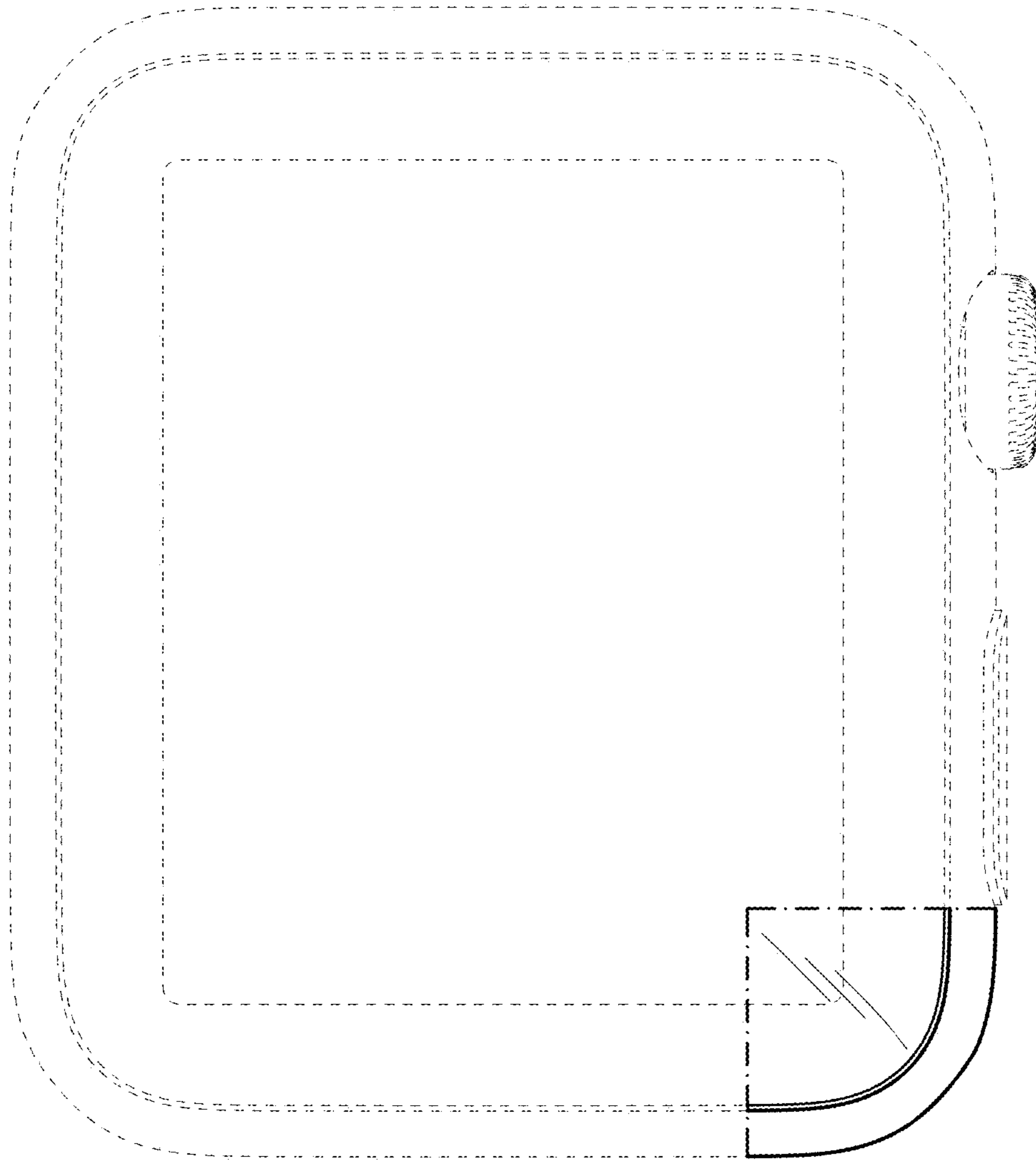


FIG. 3

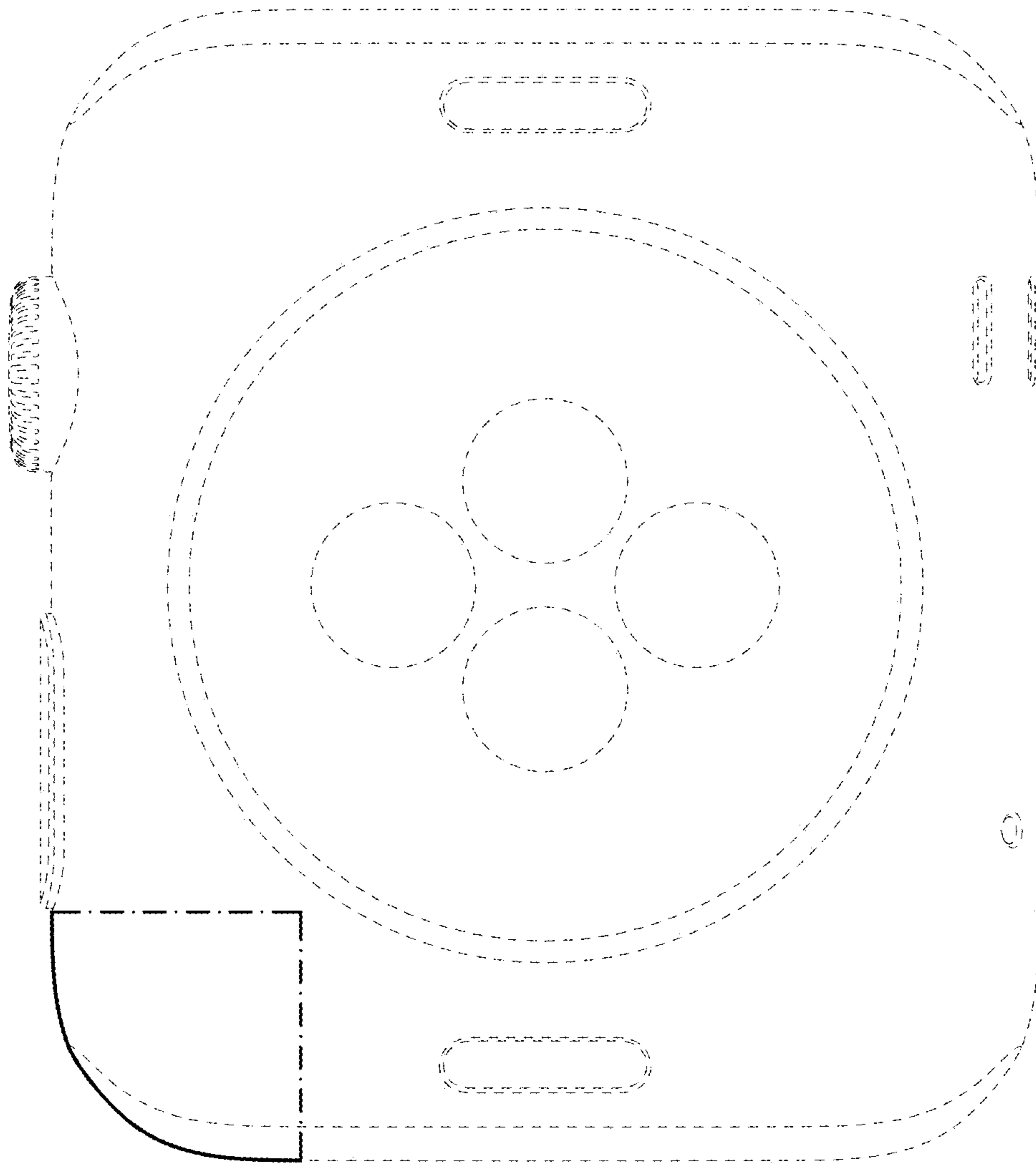


FIG. 4

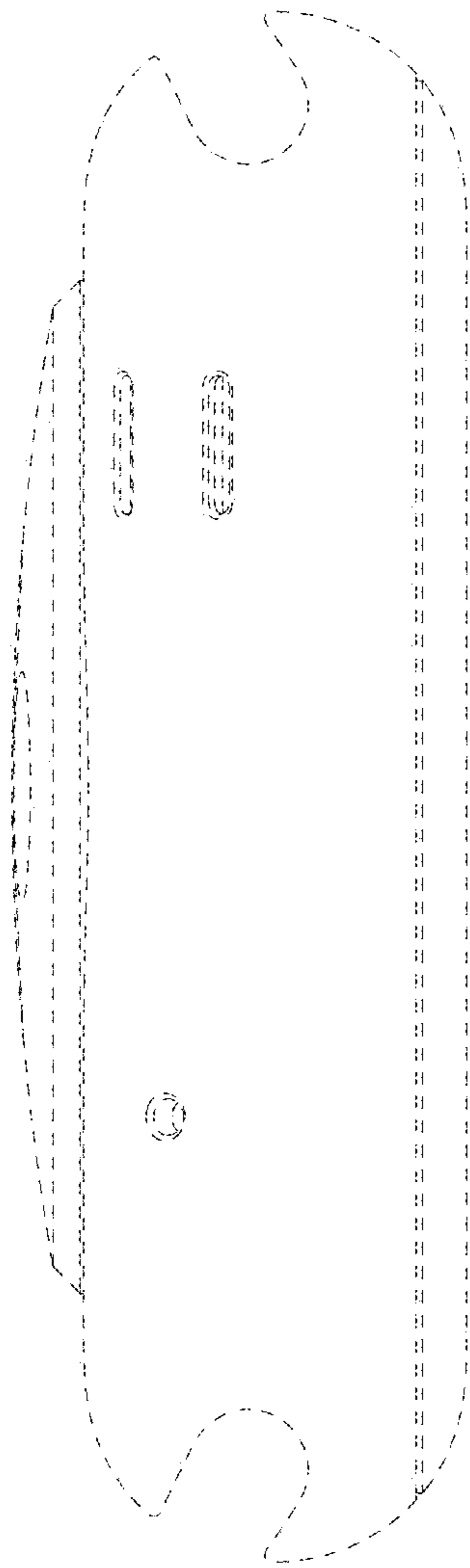


FIG. 5

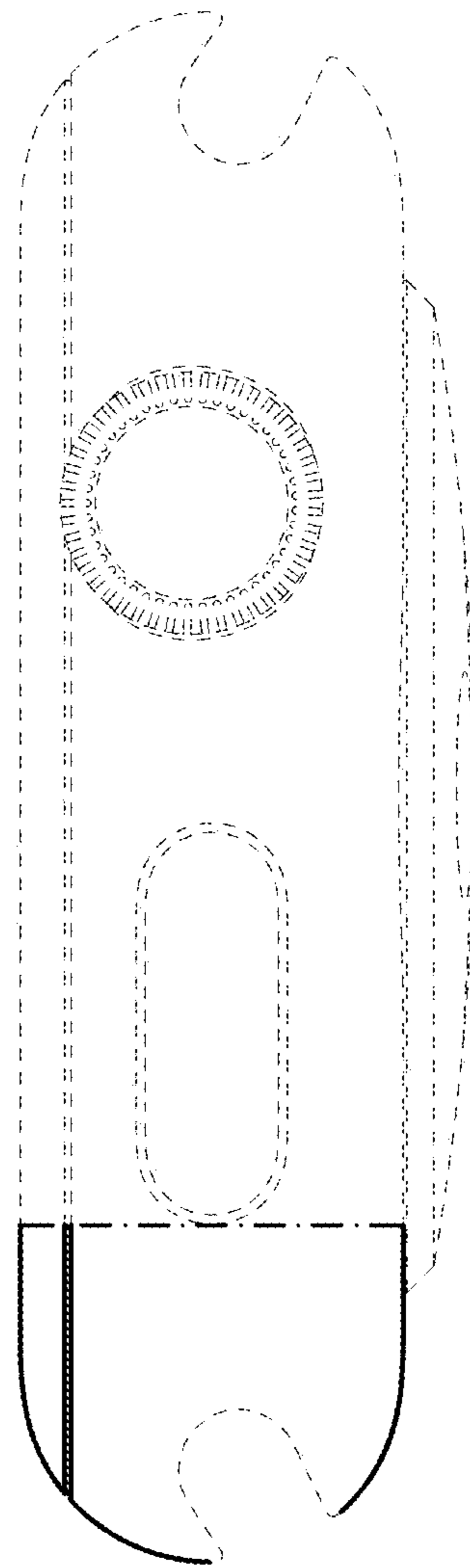


FIG. 6

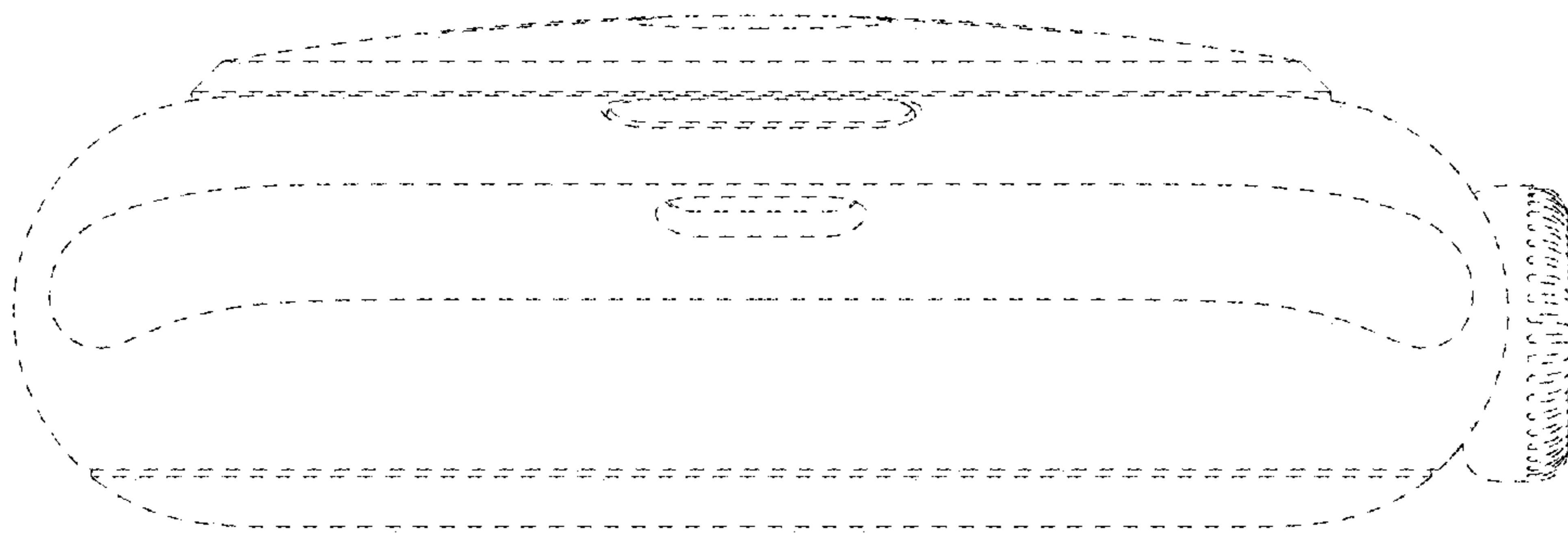


FIG. 7

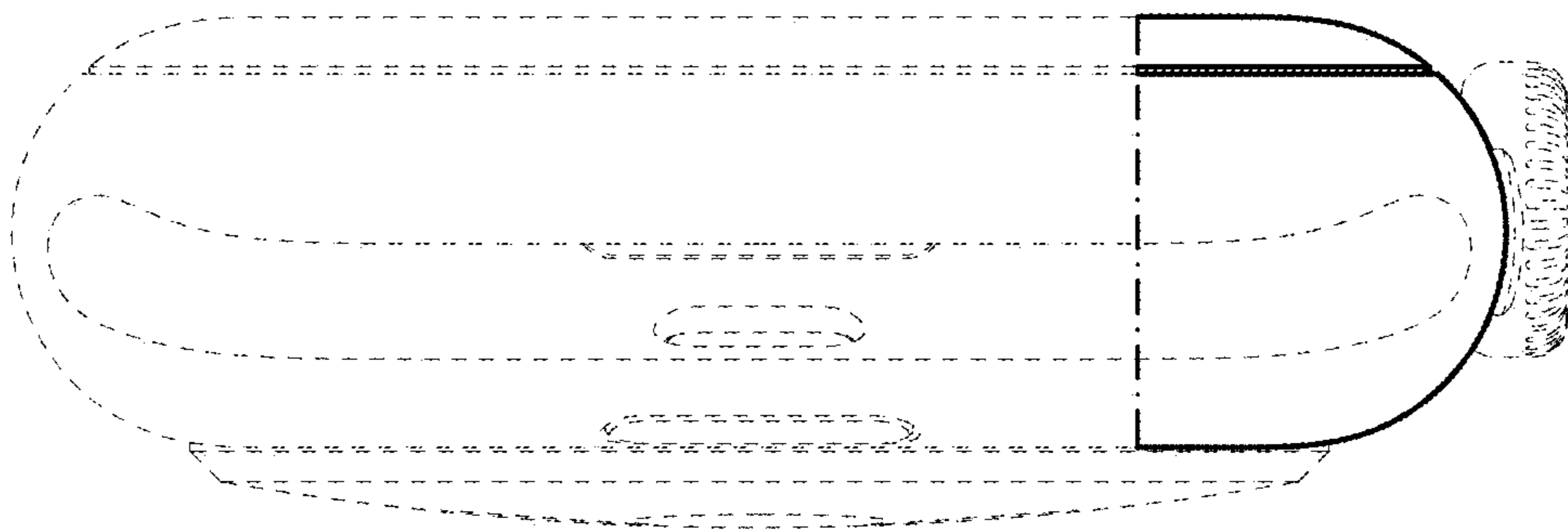


FIG. 8

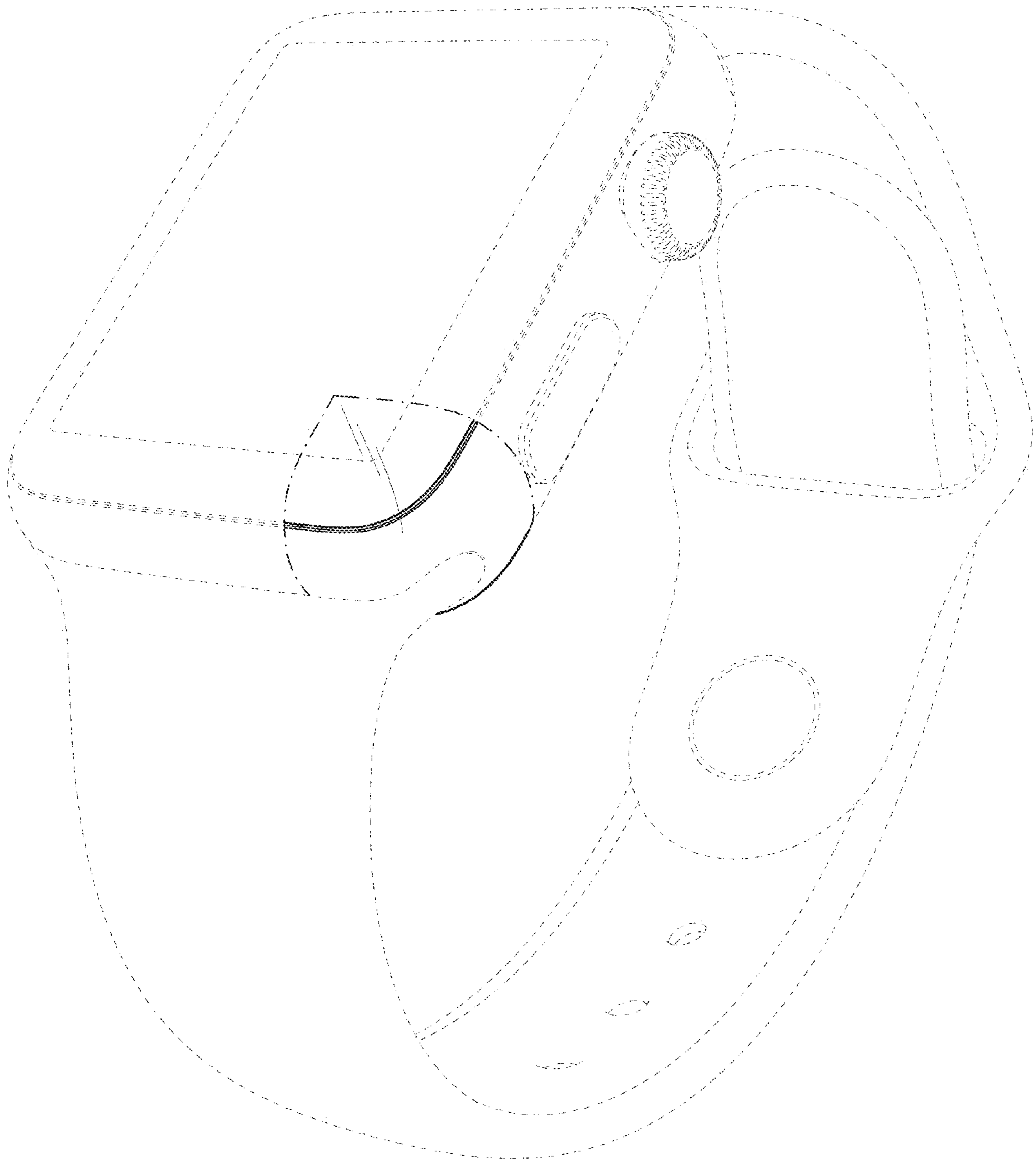


FIG. 9