



US00D962234S

(12) **United States Design Patent**  
**He et al.**

(10) **Patent No.:** **US D962,234 S**  
(45) **Date of Patent:** **\*\* Aug. 30, 2022**

(54) **SMARTWATCH**

(71) Applicant: **SHENZHEN DO INTELLIGENT TECHNOLOGY CO., LTD.**, Shenzhen (CN)

(72) Inventors: **An He**, Shenzhen (CN); **Yuanyuan Chen**, Shenzhen (CN)

(73) Assignee: **SHENZHEN DO INTELLIGENT TECHNOLOGY CO., LTD.**, Guangdong (CN)

(\*\*) Term: **15 Years**

(21) Appl. No.: **29/806,830**

(22) Filed: **Sep. 7, 2021**

(30) **Foreign Application Priority Data**

Apr. 21, 2021 (CN) ..... 202130230548.6

(51) **LOC (13) Cl.** ..... **14-02**

(52) **U.S. Cl.**  
USPC ..... **D14/344**

(58) **Field of Classification Search**  
USPC ..... D14/341–344, 144, 203.1–203.8, 217, D14/238.1, 358, 388, 432; D10/30–39, D10/122–125  
CPC ..... G06F 1/163; H04B 1/385; H04B 1/3888; H04M 1/04; H04M 1/05; A61B 5/332; G04G 21/00; G04G 21/025  
See application file for complete search history.

(56) **References Cited**

**U.S. PATENT DOCUMENTS**

D745,005 S \* 12/2015 Kim ..... D14/344  
D869,462 S 12/2019 Ke  
D889,459 S \* 7/2020 Zhang ..... D14/344  
D900,809 S \* 11/2020 Gao ..... D14/344  
D900,810 S \* 11/2020 Ke ..... D14/344  
D901,493 S \* 11/2020 Gao ..... D14/344

D912,665 S \* 3/2021 Zhang ..... D14/344  
D922,378 S \* 6/2021 Lin ..... D14/344  
D928,148 S \* 8/2021 Wu ..... D14/344  
D929,989 S \* 9/2021 Han ..... D14/344

(Continued)

**FOREIGN PATENT DOCUMENTS**

CN 306759389 8/2021  
CN 306801626 9/2021

(Continued)

**OTHER PUBLICATIONS**

Amazfit, “Amazfit Bip U Pro Smart Watch.” Exodus Gadgets, Date unknown, downloaded on Dec. 9, 2021 from URL: <https://exodusgadgets.com/product/amazfit-bip-u-pro-smart-watch/>.

(Continued)

*Primary Examiner* — Rebekah A Caruso

(74) *Attorney, Agent, or Firm* — Perry + Currier Inc.

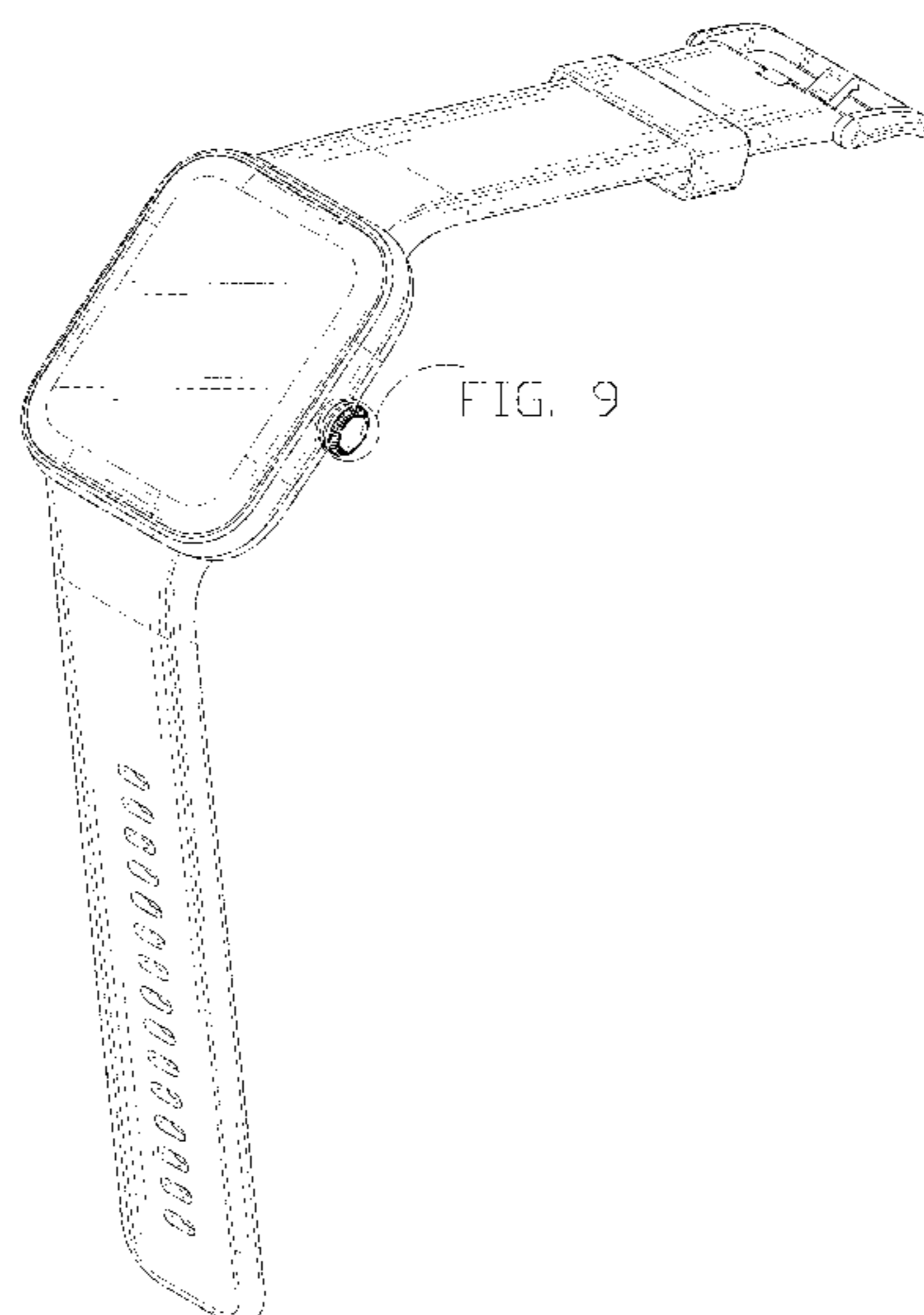
(57) **CLAIM**

The ornamental design for a smartwatch, as shown and described.

**DESCRIPTION**

FIG. 1 is a front and right side perspective view of a smartwatch showing our new design; FIG. 2 is a rear and left side perspective view thereof; FIG. 3 is a front elevation view thereof; FIG. 4 is a rear elevation view thereof; FIG. 5 is a left side elevation view thereof; FIG. 6 is a right side elevation view thereof; FIG. 7 is a top plan view thereof; FIG. 8 is a bottom plan view thereof; and, FIG. 9 is a partial enlarged view of FIG. 1. The broken lines showing various regions of the smartwatch represent subject matter which forms no part of the claimed design.

**1 Claim, 9 Drawing Sheets**



(56)

**References Cited**

U.S. PATENT DOCUMENTS

D933,497 S \* 10/2021 Panneer Selvam ..... D14/344  
D935,453 S \* 11/2021 Gao ..... D14/344  
D939,499 S \* 12/2021 Lin ..... D14/344  
D947,840 S \* 4/2022 Akana ..... D14/344  
D949,144 S \* 4/2022 Akana ..... D14/344

FOREIGN PATENT DOCUMENTS

EM 008583223-0001 6/2021  
JP 1639572 S 8/2019  
JP 1685783 S 5/2021  
JP 1700441 S 11/2021

OTHER PUBLICATIONS

Amazfit, "Amazfit GTS2 Mini." Exodus Gadgets, date unknown,  
downloaded on Dec. 10, 2021 from URL: <https://exodusgadgets.com/product/amazfit-gts2-mini/>.

\* cited by examiner

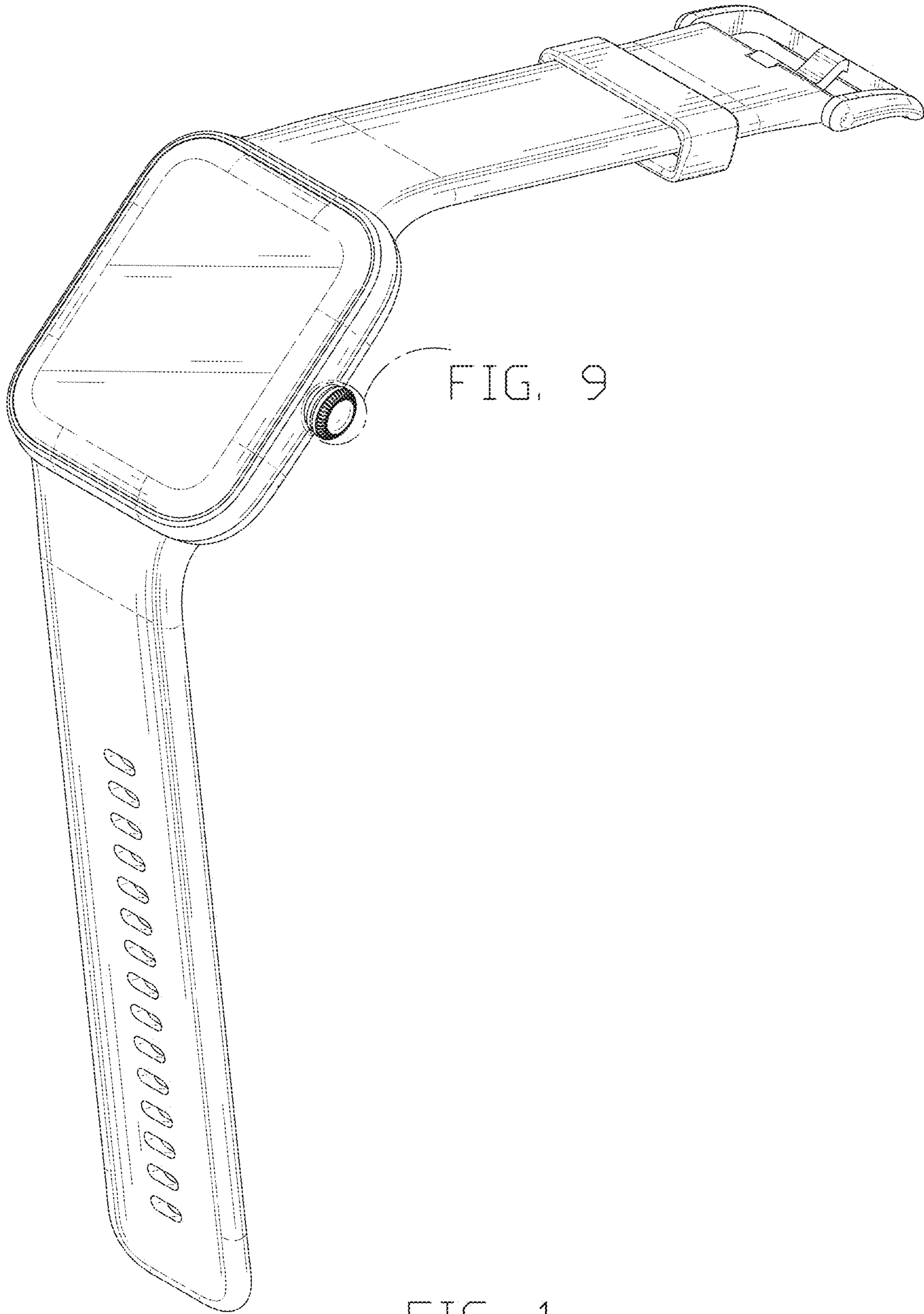


FIG. 9

FIG. 1

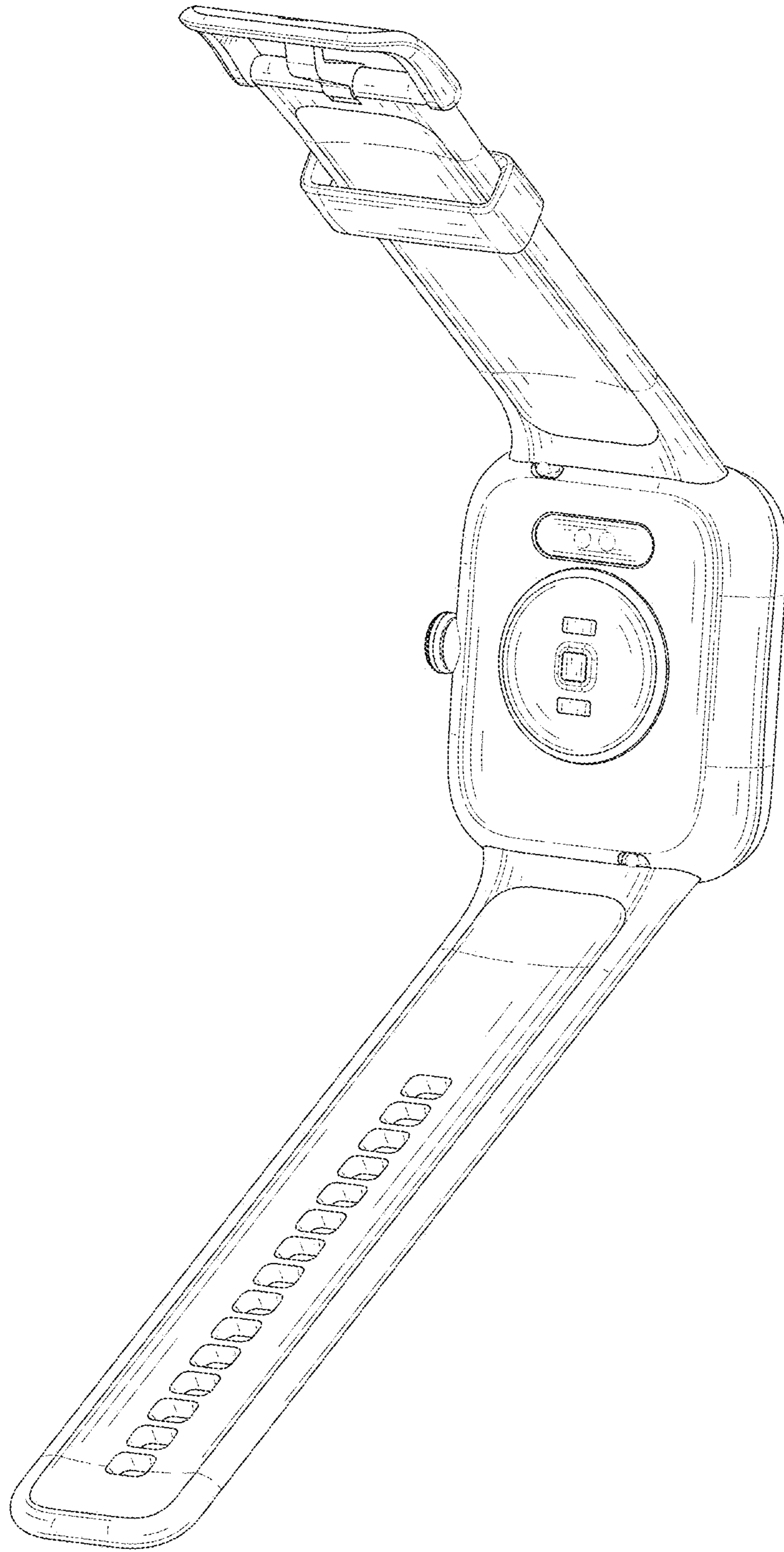


FIG. 2

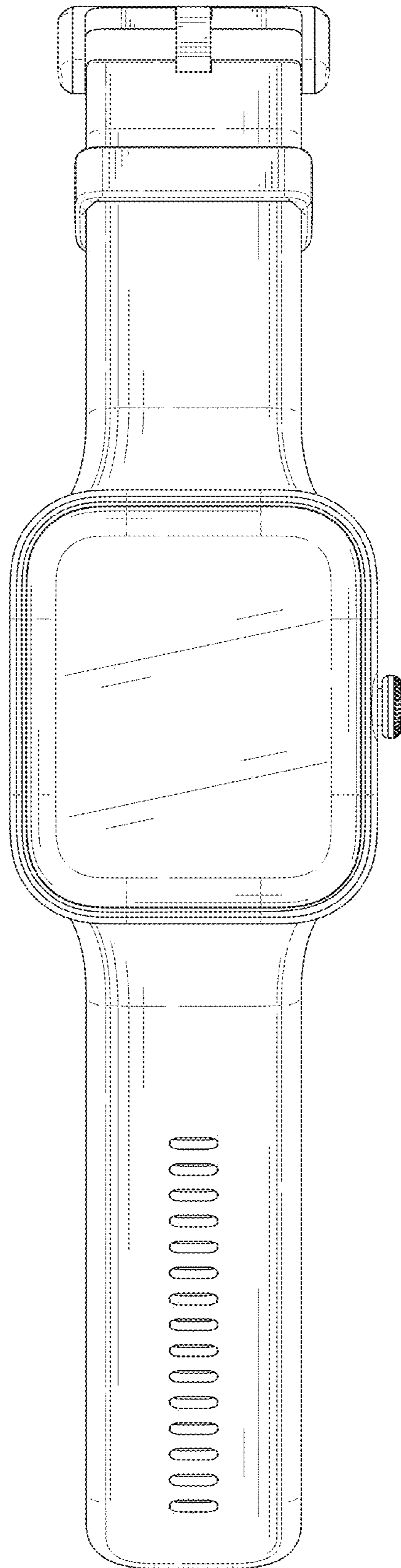


FIG. 3

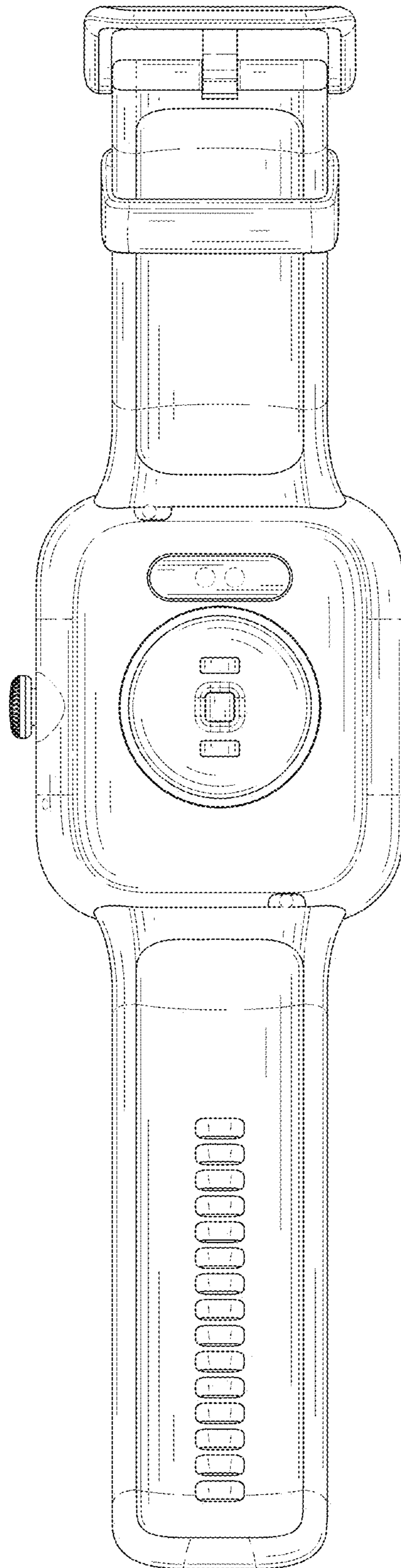


FIG. 4

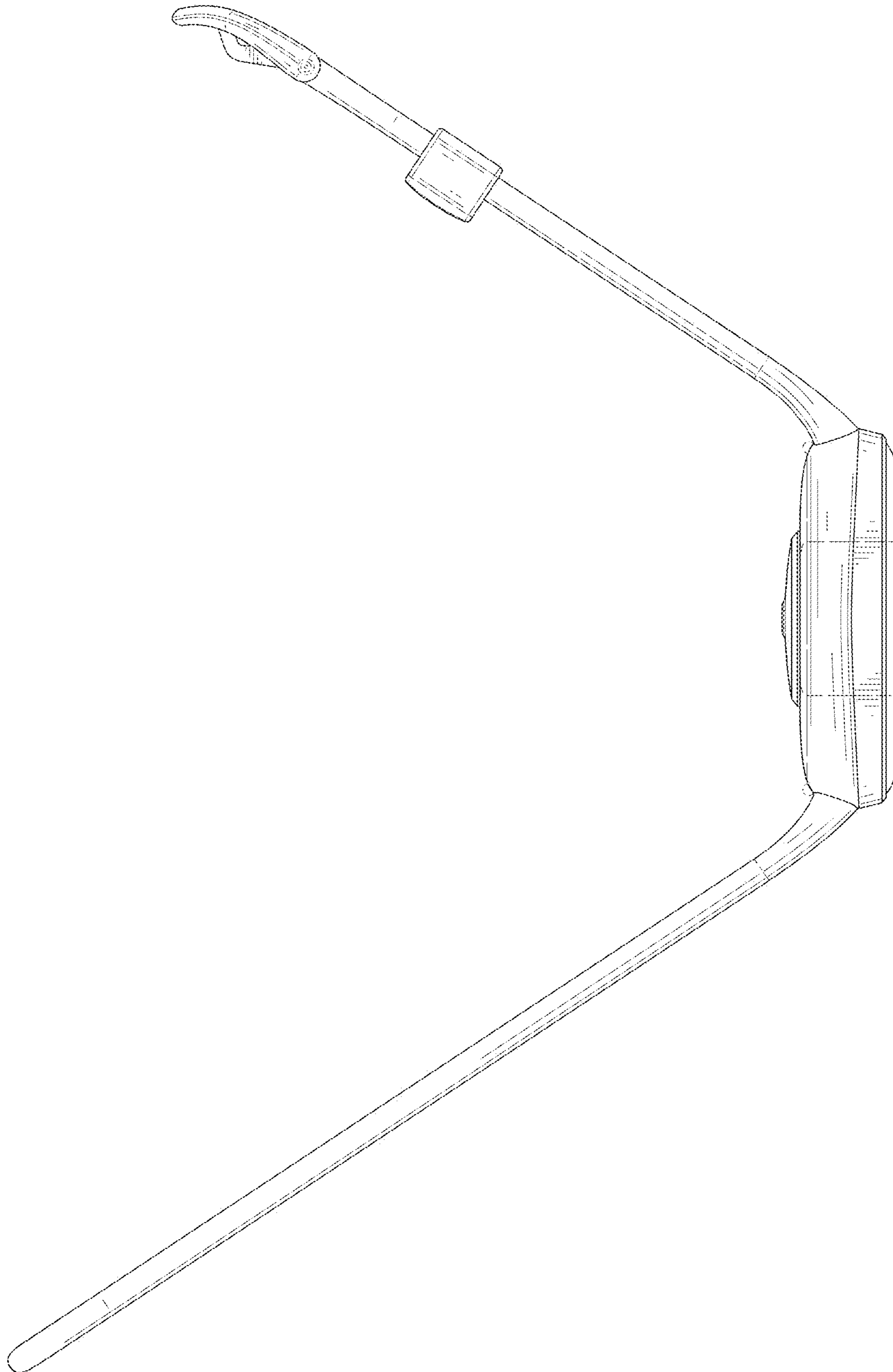


FIG. 5

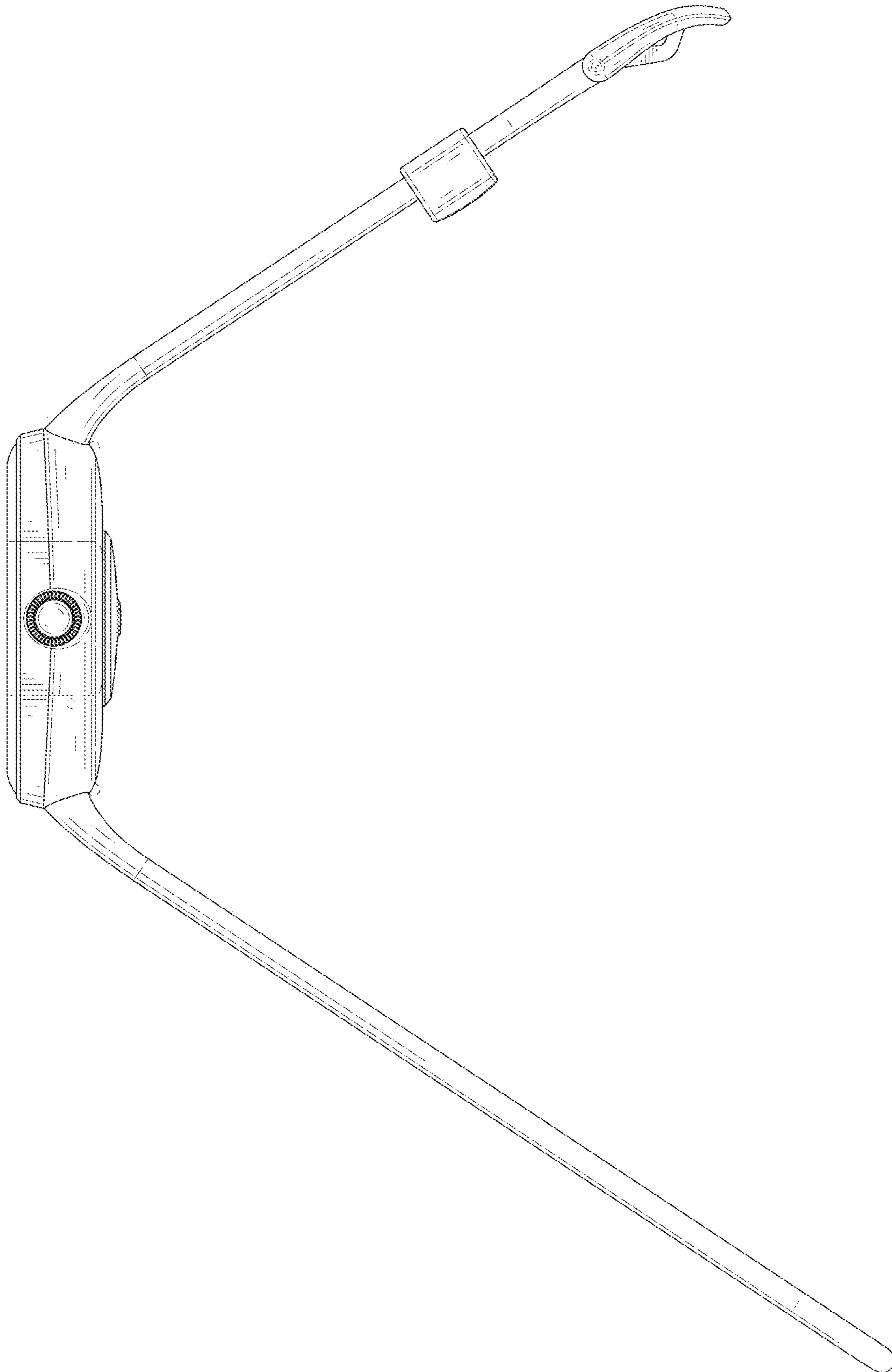


FIG. 6



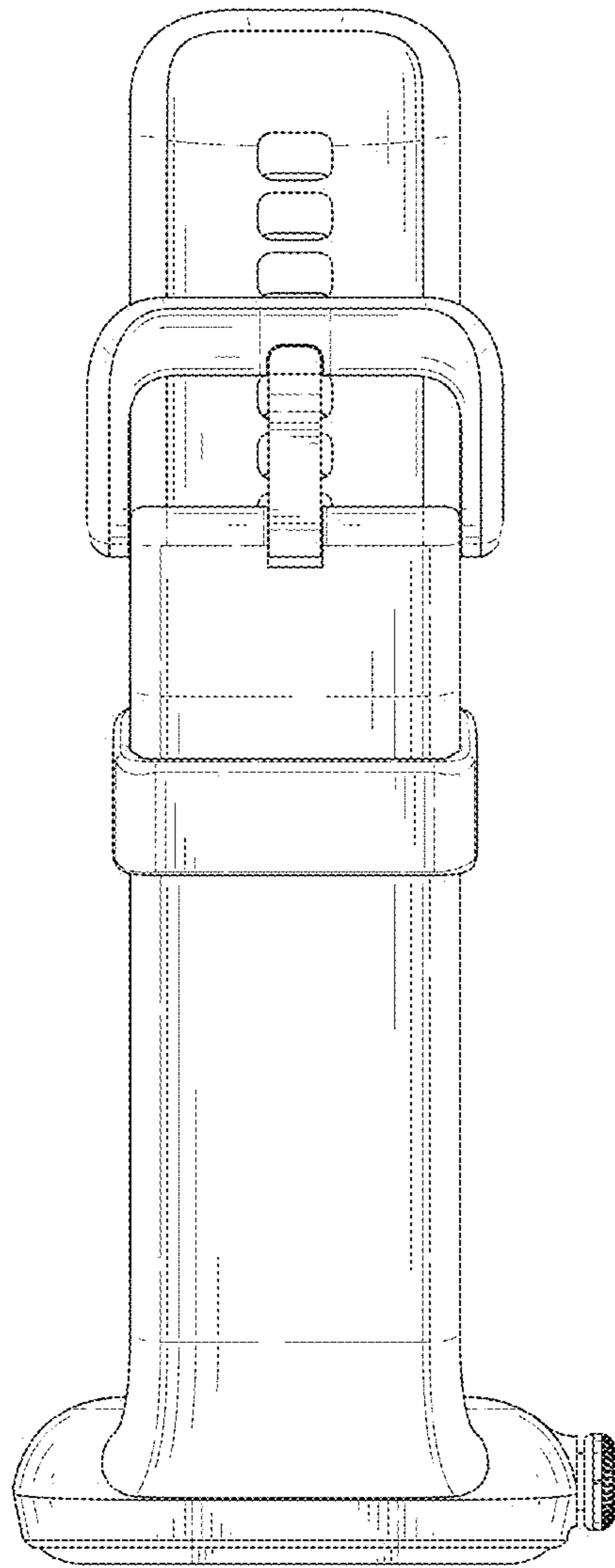


FIG. 7

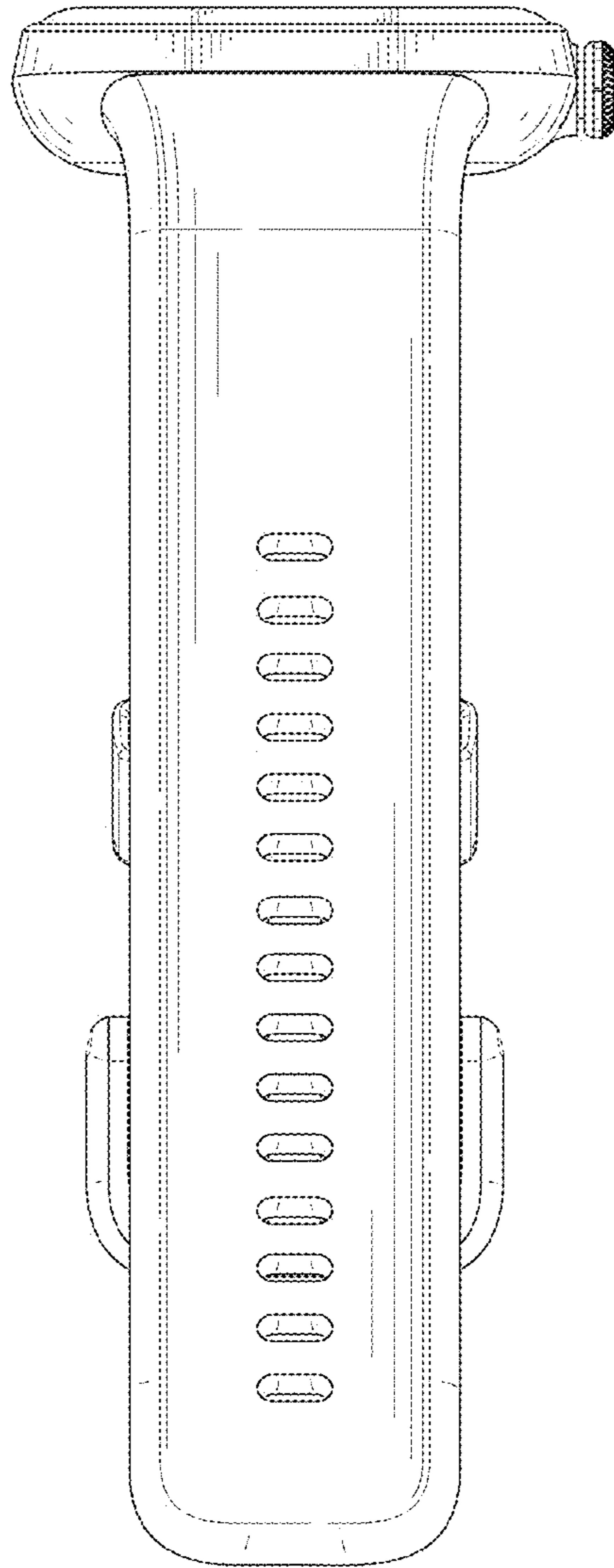


FIG. 8

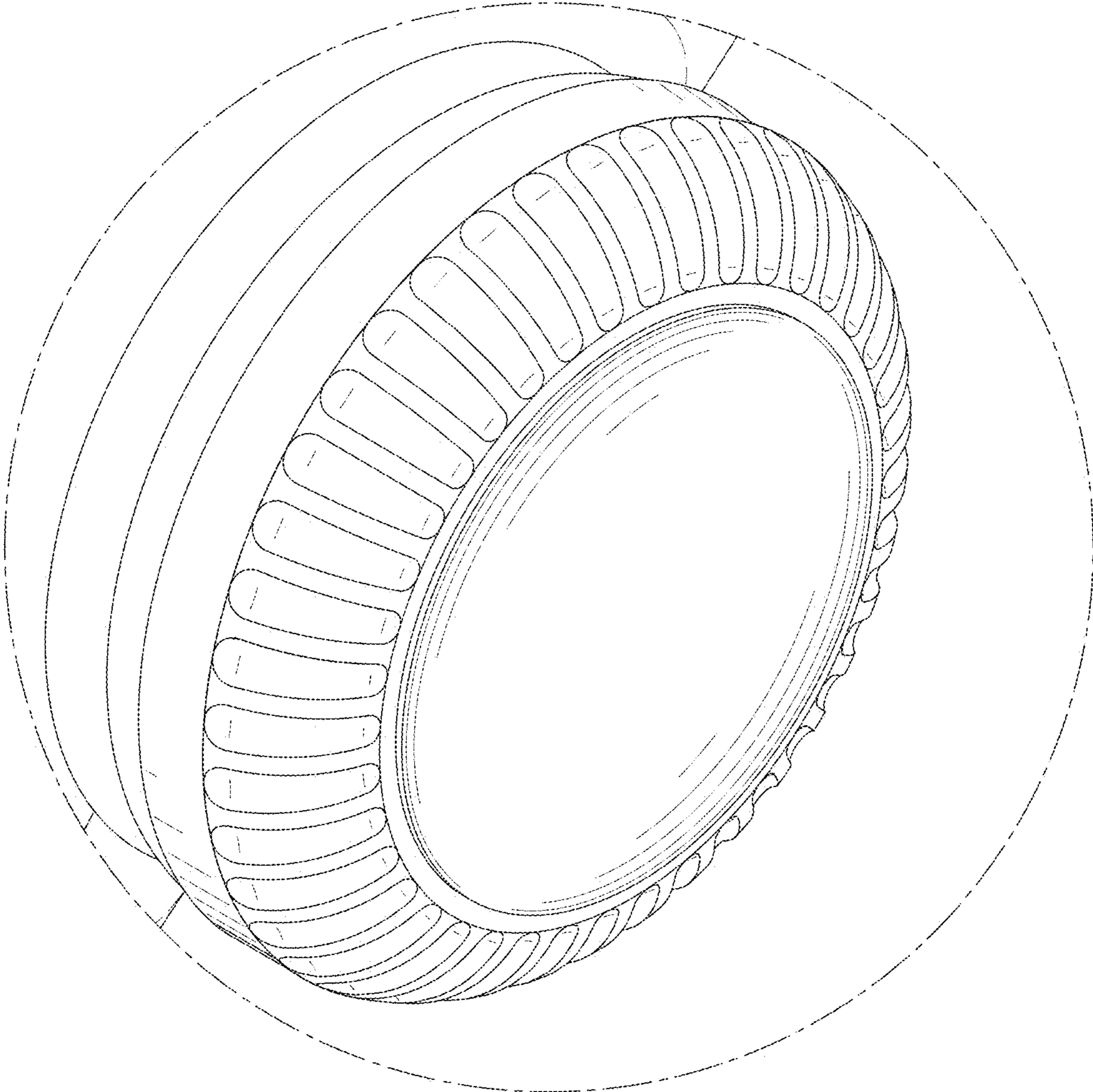


FIG. 9