

US00D962233S

(12) **United States Design Patent**
Gao

(10) **Patent No.:** **US D962,233 S**

(45) **Date of Patent:** **** Aug. 30, 2022**

(54) **SMART WATCH**

(71) Applicant: **Min Zhou**, Jiangxi (CN)

(72) Inventor: **Jinfeng Gao**, Hubei (CN)

(73) Assignee: **Min Zhou**, Yichun (CN)

(**) Term: **15 Years**

(21) Appl. No.: **29/770,626**

(22) Filed: **Feb. 14, 2021**

(30) **Foreign Application Priority Data**

Dec. 31, 2020 (CN) 202030827266.X

(51) **LOC (13) Cl.** **14-02**

(52) **U.S. Cl.**
USPC **D14/344**

(58) **Field of Classification Search**
USPC D10/30-39, 70, 98, 1-2, 5, 10, 14-15,
D10/21, 30-41; D11/3, 4, 5, 8, 26,
D11/93-94, 78.1, 79, 86, 99; D5/56,
D5/59-60, 99; D24/167, 186-190, 164,
D24/169; D14/138 R, 144, 341, 344,
D14/358, 388, 218
CPC A41D 1/002; A41D 19/0034; G04G 17/00;
G04G 17/02; G04G 17/08; G04G 17/083;
G04G 17/086; G04G 17/005; G04G
13/028; G04G 11/00; G04G 9/00; G04C
3/00; G04C 3/001; G04C 3/002; G04C
3/004; G04C 3/005; G04C 3/007; G04C
23/02; G04C 23/04; G04C 17/00; G04B
3/04; G04B 19/24; G04B 19/26; G04B
37/00; G04B 45/0069; G04B 47/04;
G04B 37/0008; G04B 37/0058; G04B
37/12; G04B 37/18; G04B 45/00; G04B
47/00;

(Continued)

(56) **References Cited**

U.S. PATENT DOCUMENTS

D744,356 S 12/2015 Akana et al.
D777,163 S 1/2017 Akana et al.

(Continued)

OTHER PUBLICATIONS

Amazfit Bip U Smart Watch, first available Oct. 18, 2020 amazon.
in, [online], [site visited May 17, 2021], Available from internet
URL: https://www.amazon.in/Amazfit-Bip-Smart-Watch-HD-Color-Display-Sports-Modes-Breathing/dp/B08HHCDN97/ref=psdc_5605728031_t4_B08L11LB%E2%80%A6 (Year: 2020).*

(Continued)

Primary Examiner — Samantha Q Lawrence

Assistant Examiner — Holly M Rodriguez

(74) *Attorney, Agent, or Firm* — Dragon Sun Law Firm,
P.C.; Jinggao Li, Esq.; Nathaniel Perkins

(57) **CLAIM**

The ornamental design for a smart watch, as shown and described.

DESCRIPTION

FIG. 1 is a front and right perspective view of a smart watch showing my new design;
FIG. 2 is a rear and left perspective view thereof;
FIG. 3 is a front view thereof;
FIG. 4 is a rear view thereof;
FIG. 5 is a left side view thereof;
FIG. 6 is a right side view thereof;
FIG. 7 is a top view thereof;
FIG. 8 is a bottom view thereof;
FIG. 9 is a partially enlarged view of FIG. 1;
FIG. 10 is a partially enlarged view of FIG. 3;

(Continued)

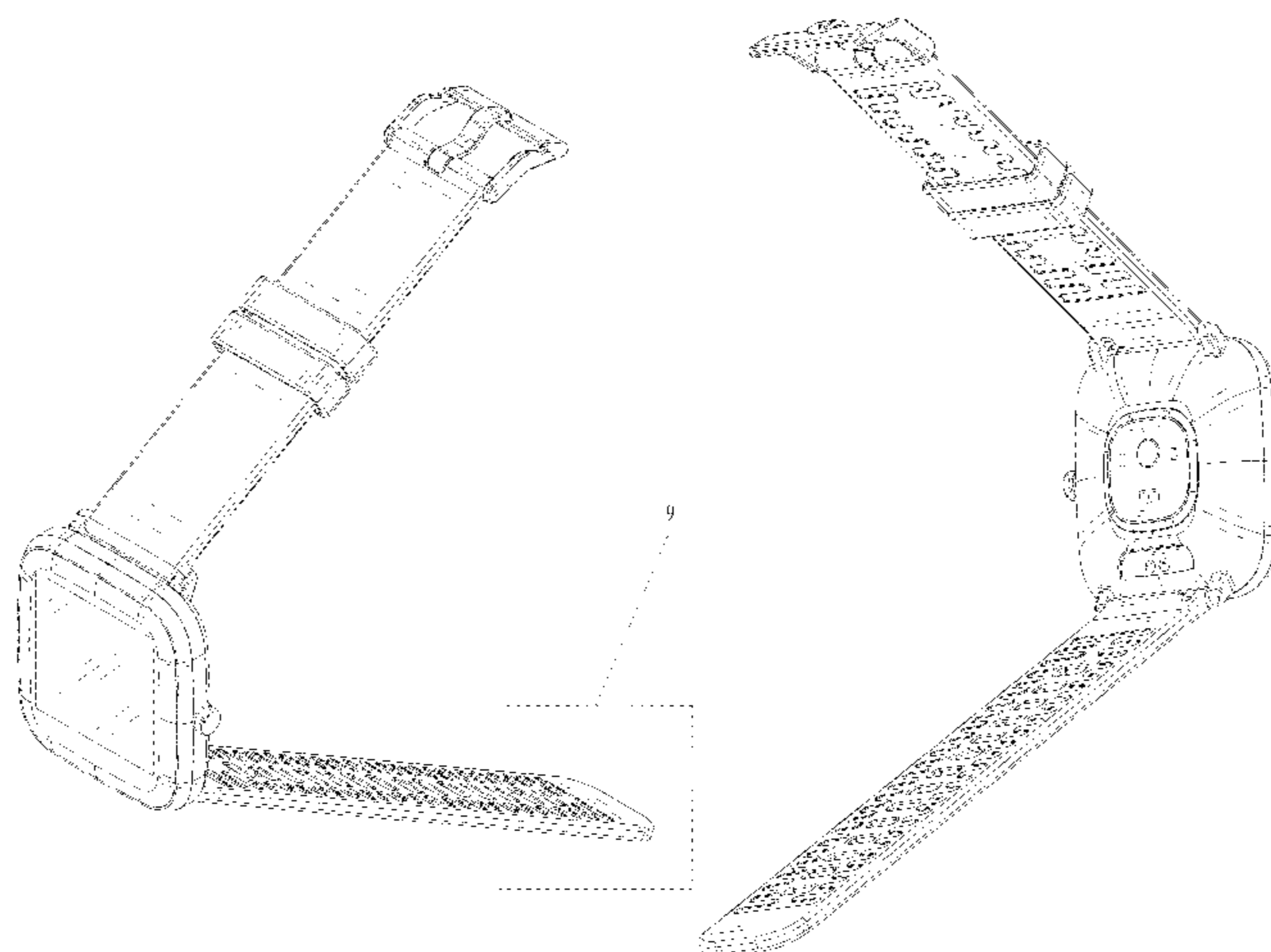


FIG. 11 is a partially enlarged view of FIG. 4; and, FIG. 12 is a partially enlarged view of FIG. 5. The broken lines encircling portions of the claimed design in FIGS. 1, and FIG. 3-6 that are illustrated in enlargements in FIGS. 9-12, respectively, form no part of the claimed design.

1 Claim, 12 Drawing Sheets

(58) **Field of Classification Search**

CPC G04B 47/042; G04B 47/06; G04B 47/063; G04B 19/00; G04B 19/04; G04F 7/06; G04F 7/062; G04F 7/065; G04F 7/067; G04F 8/00; G04F 8/006; A44C 5/00; A44C 5/0007; A44C 5/0053; A44C 5/10; A44C 5/14

See application file for complete search history.

(56) **References Cited**

U.S. PATENT DOCUMENTS

D867,179 S 11/2019 Akana et al.
D875,576 S 2/2020 Akana et al.

D901,493 S * 11/2020 Gao D14/344
D909,369 S * 2/2021 Wu D14/344
D912,665 S * 3/2021 Zhang D14/344

OTHER PUBLICATIONS

HuaWise Smart Watch, first available Mar. 29, 2021, amazon.com, [online], [site visited May 18, 2021], Available from internet URL: https://www.amazon.com/HuaWise-Android-Compatible-Waterproof-Smartwatch/dp/B0919F1D2P/?_encoding=UTF8&pd_rd_w=8dyf2&pf_rd_p=6c7a%E2%80%A6 (Year: 2021).*

Senbono P18 Smart Watch, first available Nov. 24, 2020, amazon.com, [online], [site visited May 21, 2021], Available from internet URL: <https://www.aliexpress.com/item/1005001608391588.html> (Year: 2020).*

TagoBee Fitness Tracker Smart Watch, first available Apr. 21, 2020, amazon.com, [online], [site visited May 13, 2021], Available from internet URL: https://www.amazon.com/dp/B087CPGFQ7/ref=sspa_dk_detail_3?pd_rd_i=B087CPGFQ7&pd_rd_w=r5Anu&pf_rd_p=7771f1a2-d77a-4098-a19e-6d%E2%80%A6 (Year: 2020).*

* cited by examiner

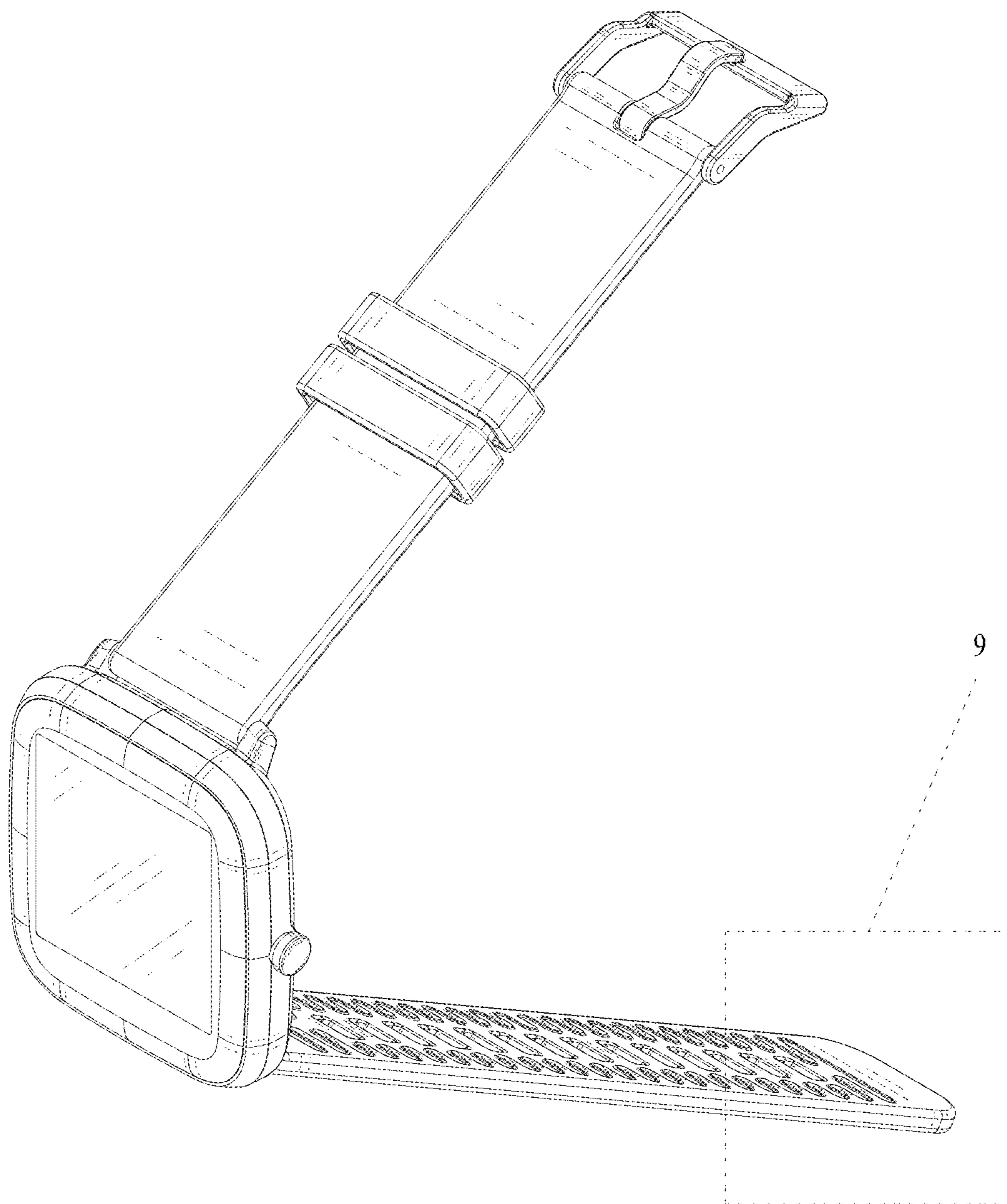


FIG. 1

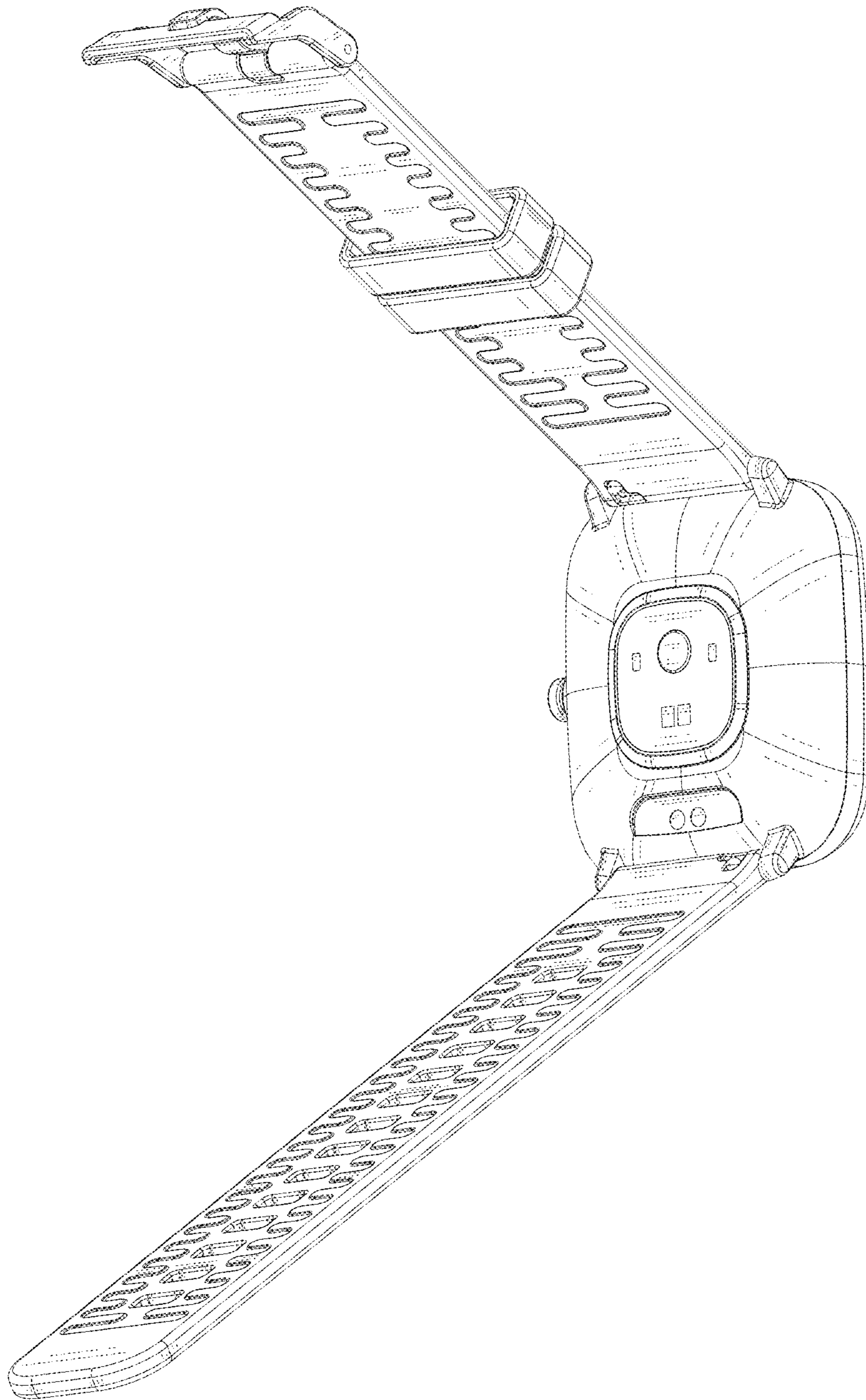


FIG. 2

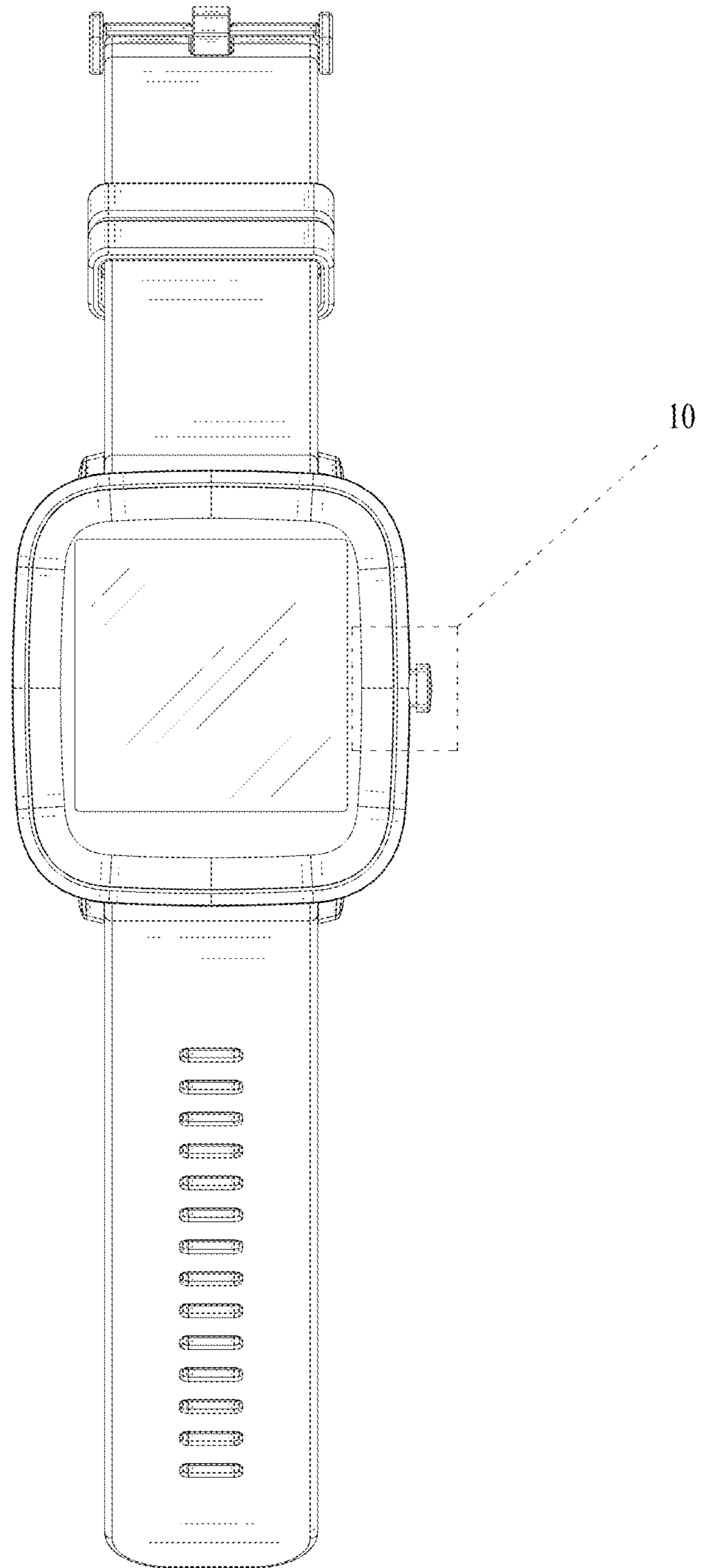


FIG. 3

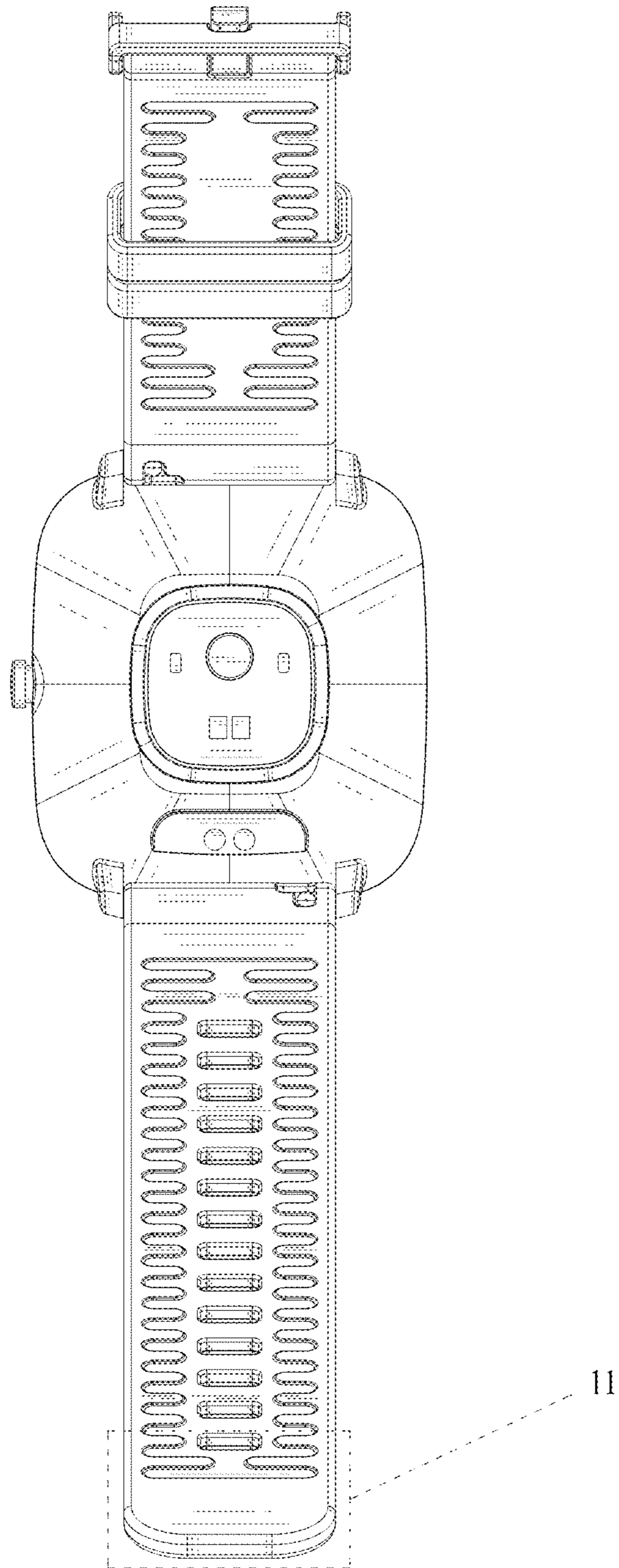


FIG. 4

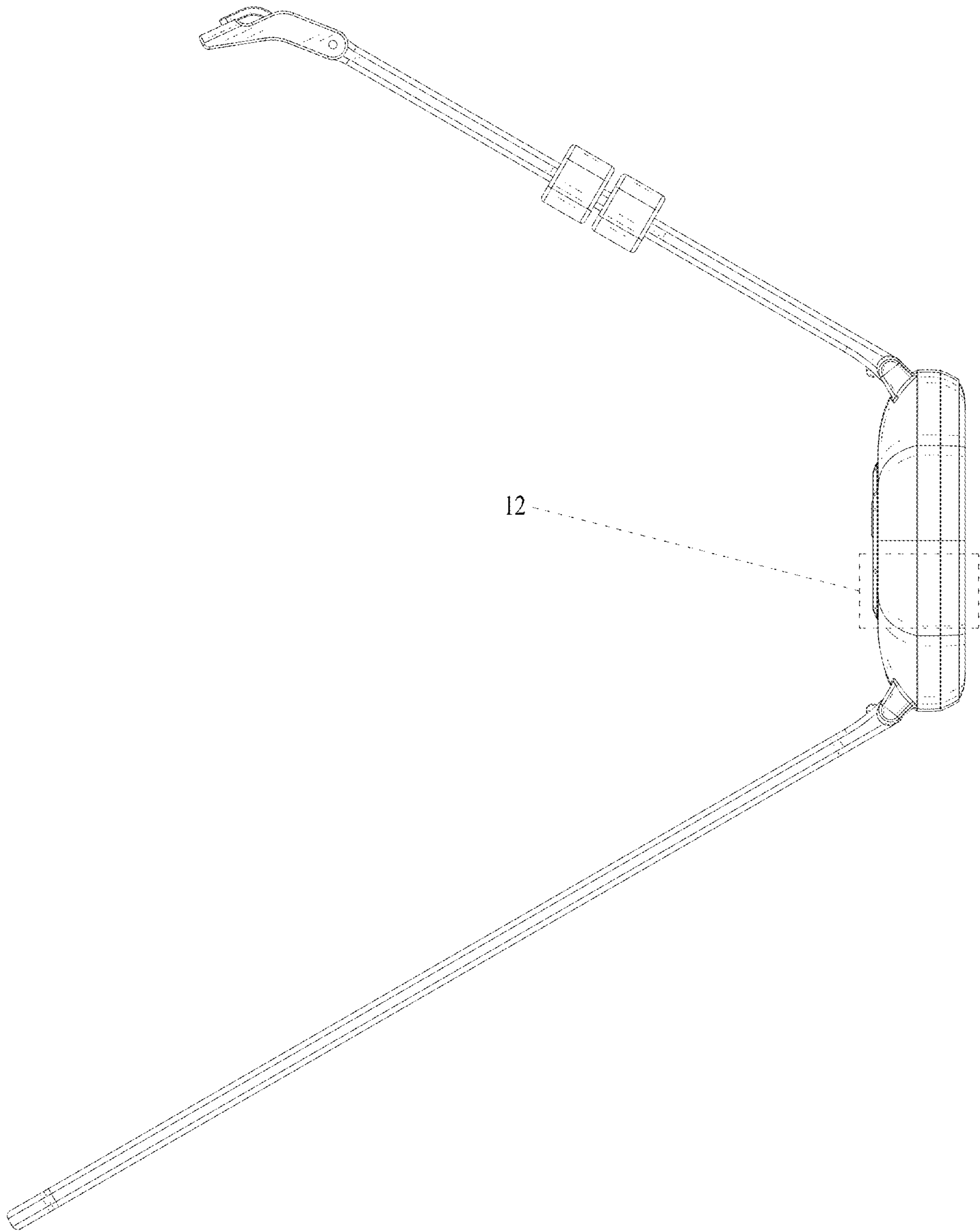


FIG. 5

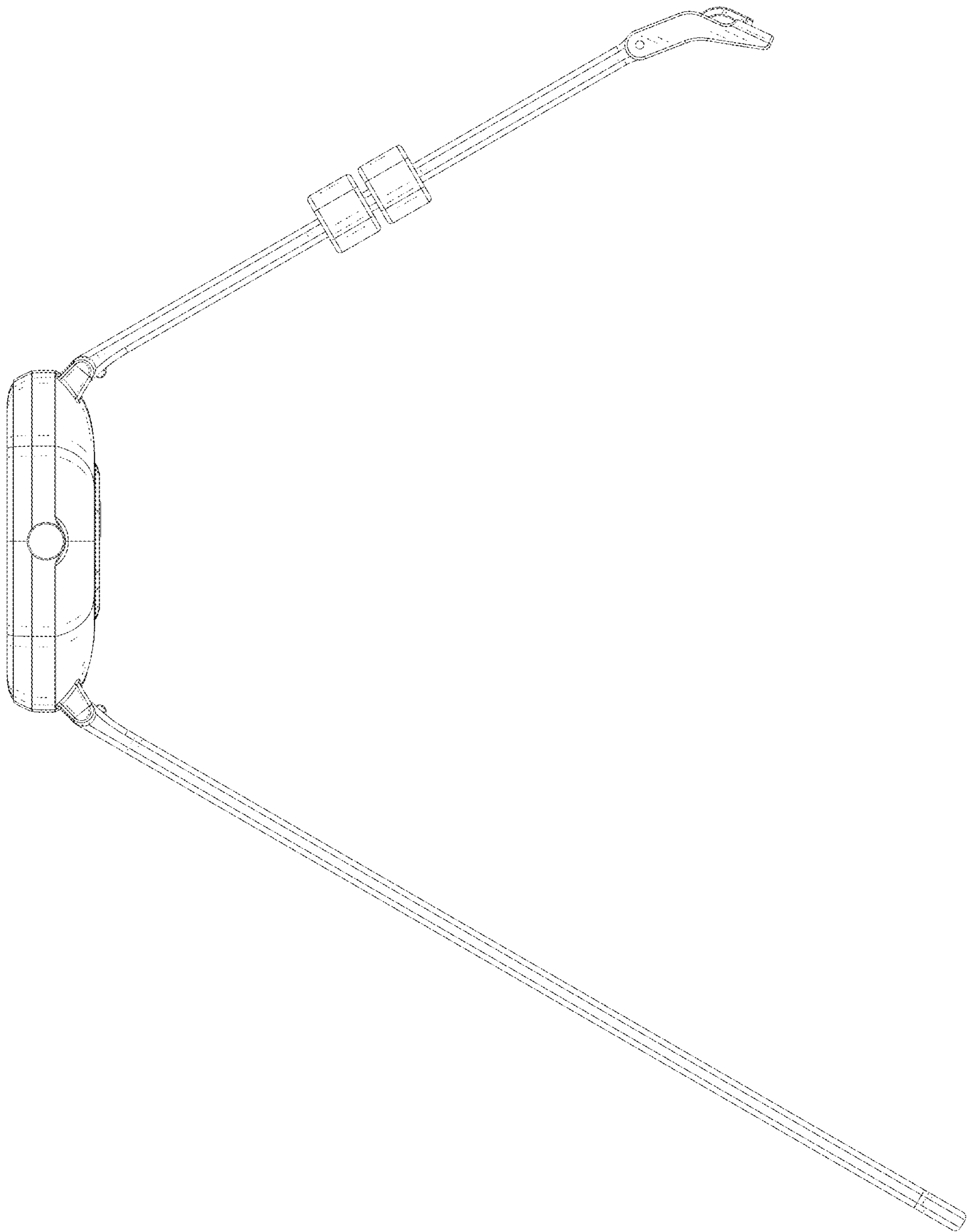


FIG. 6

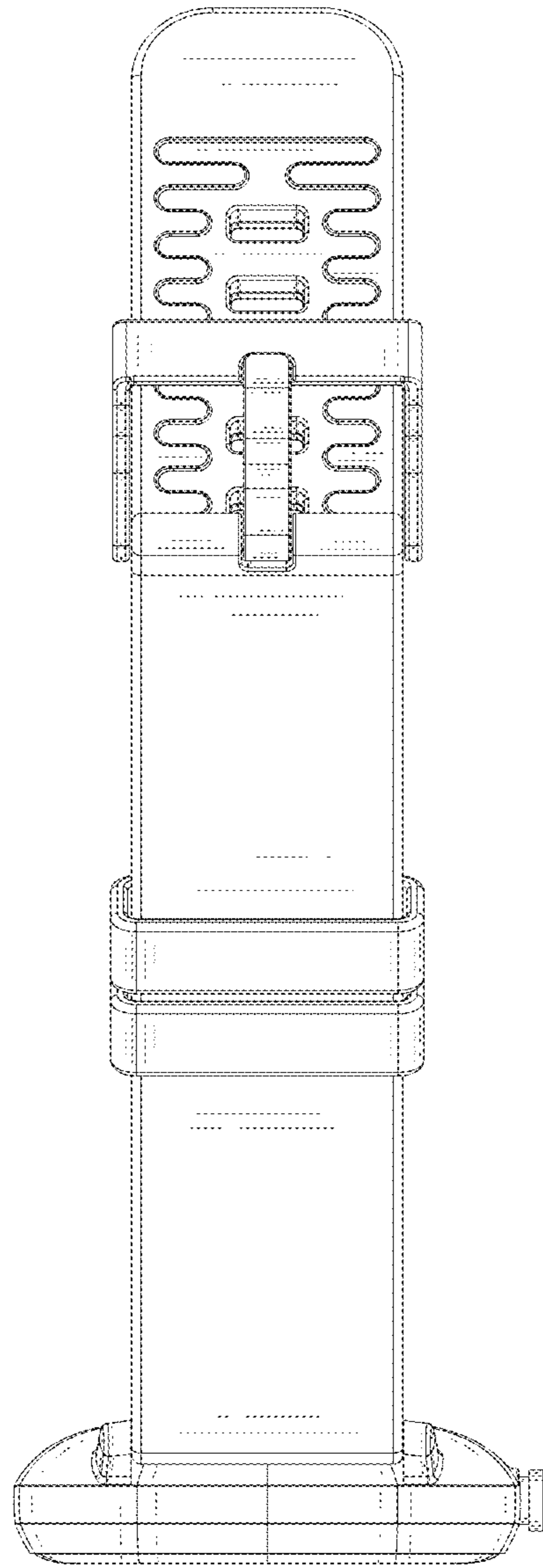


FIG. 7

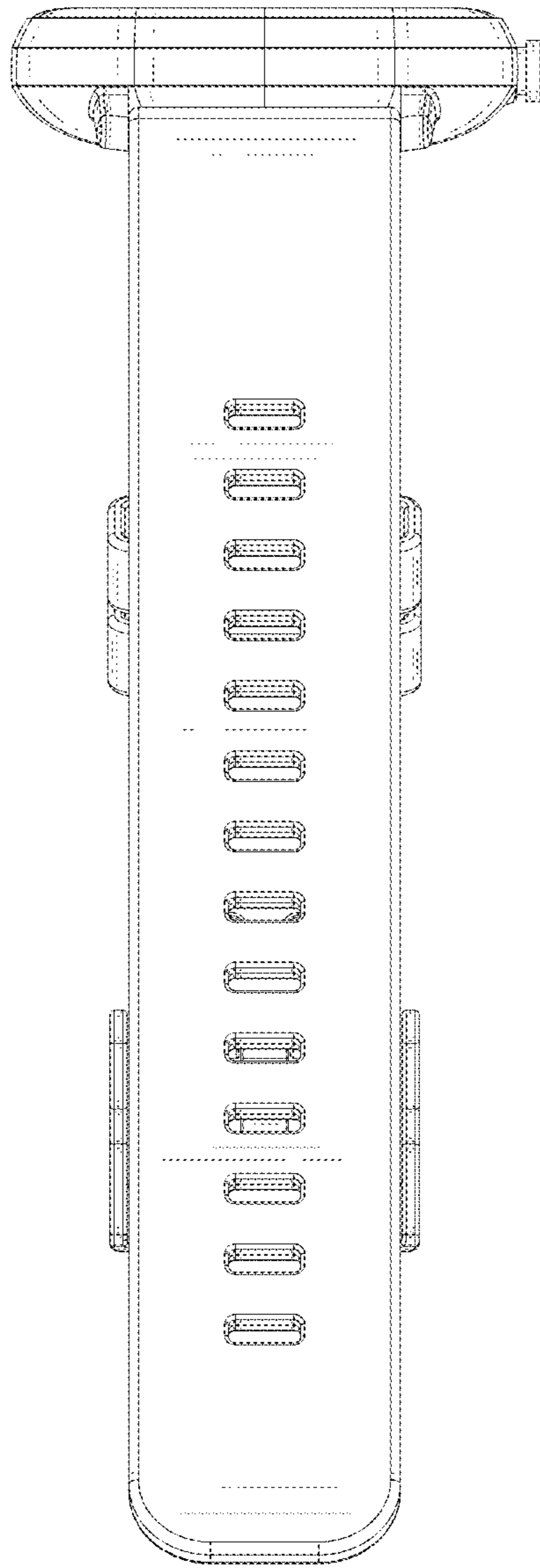


FIG. 8

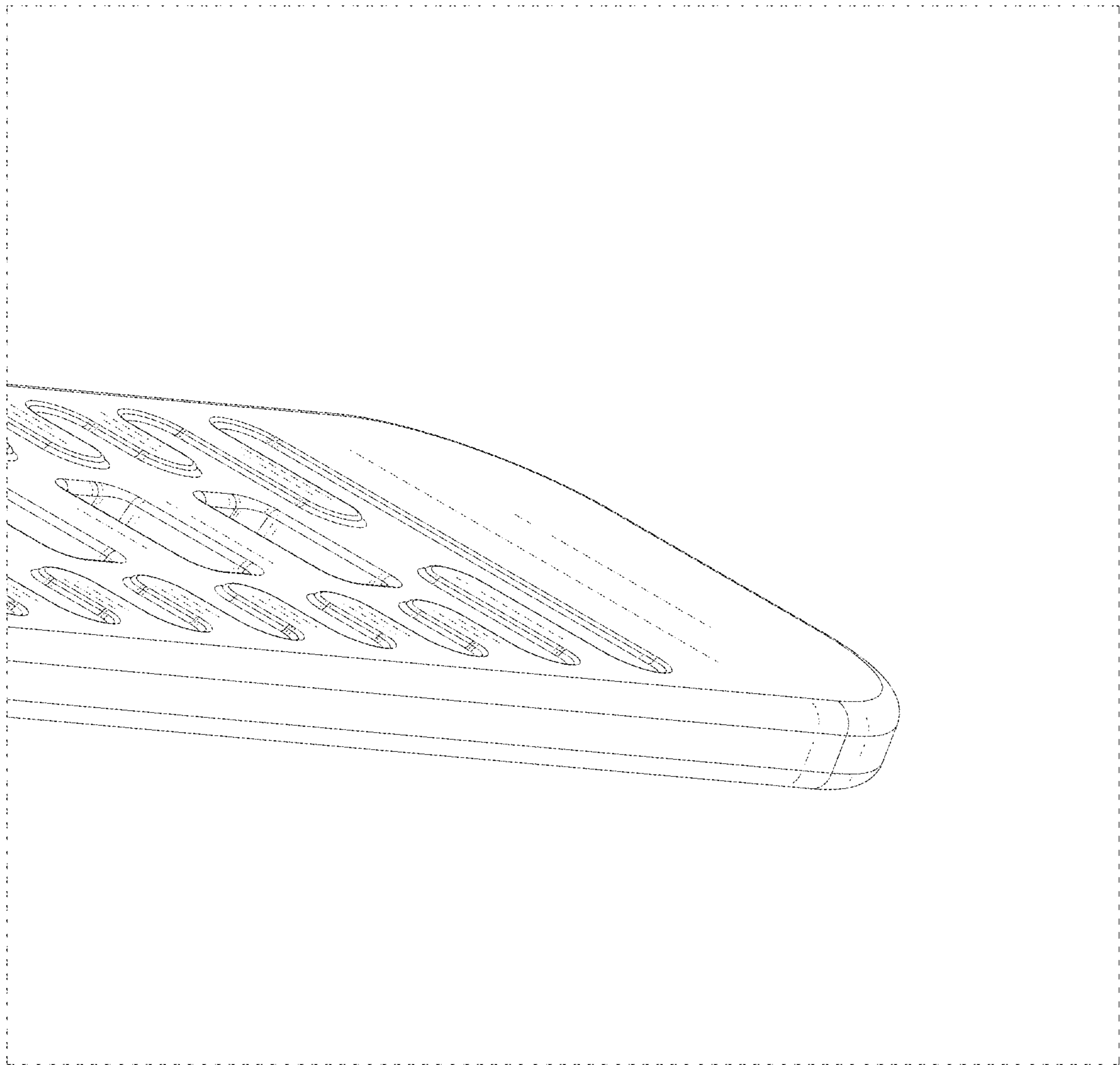


FIG. 9

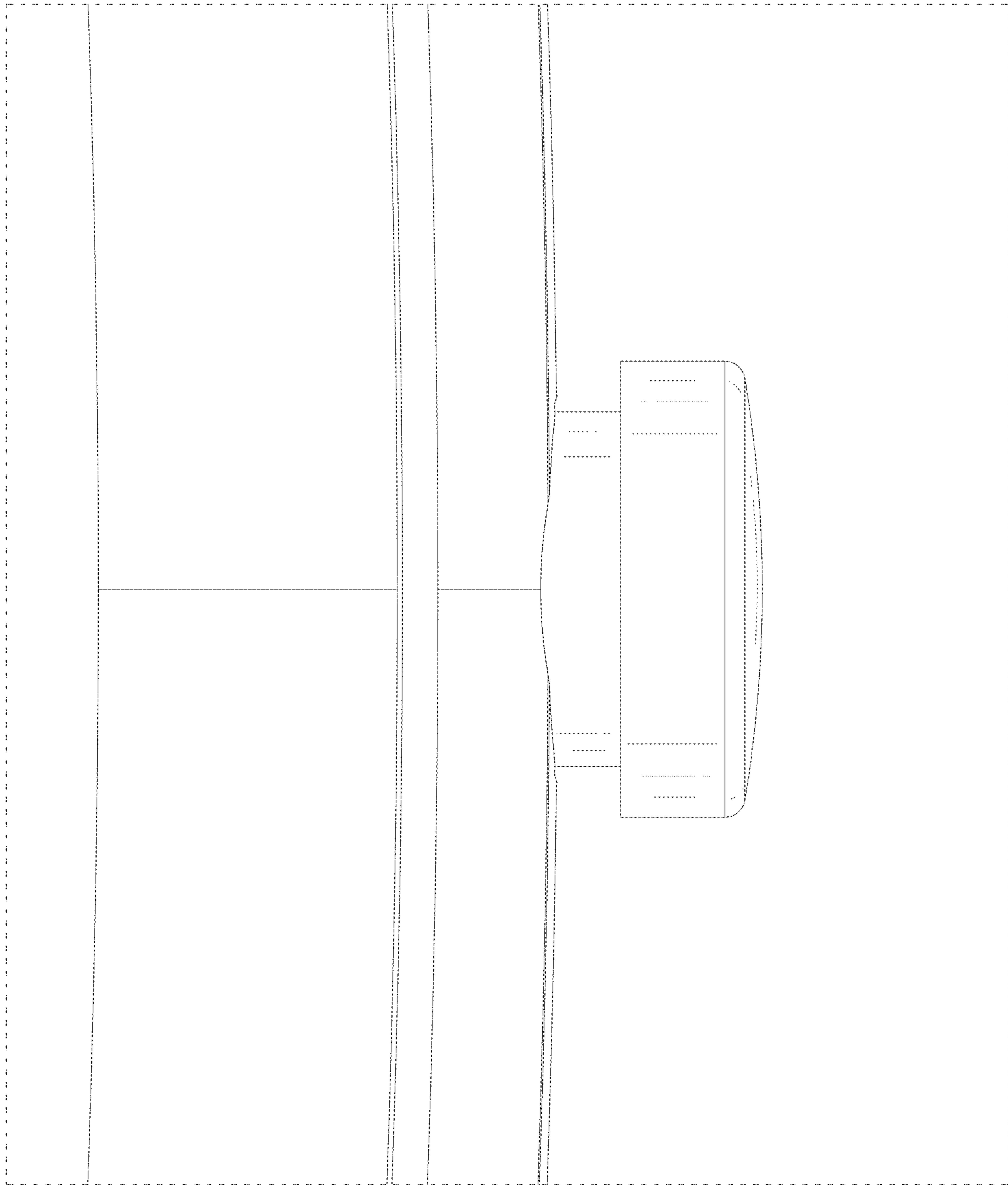


FIG. 10

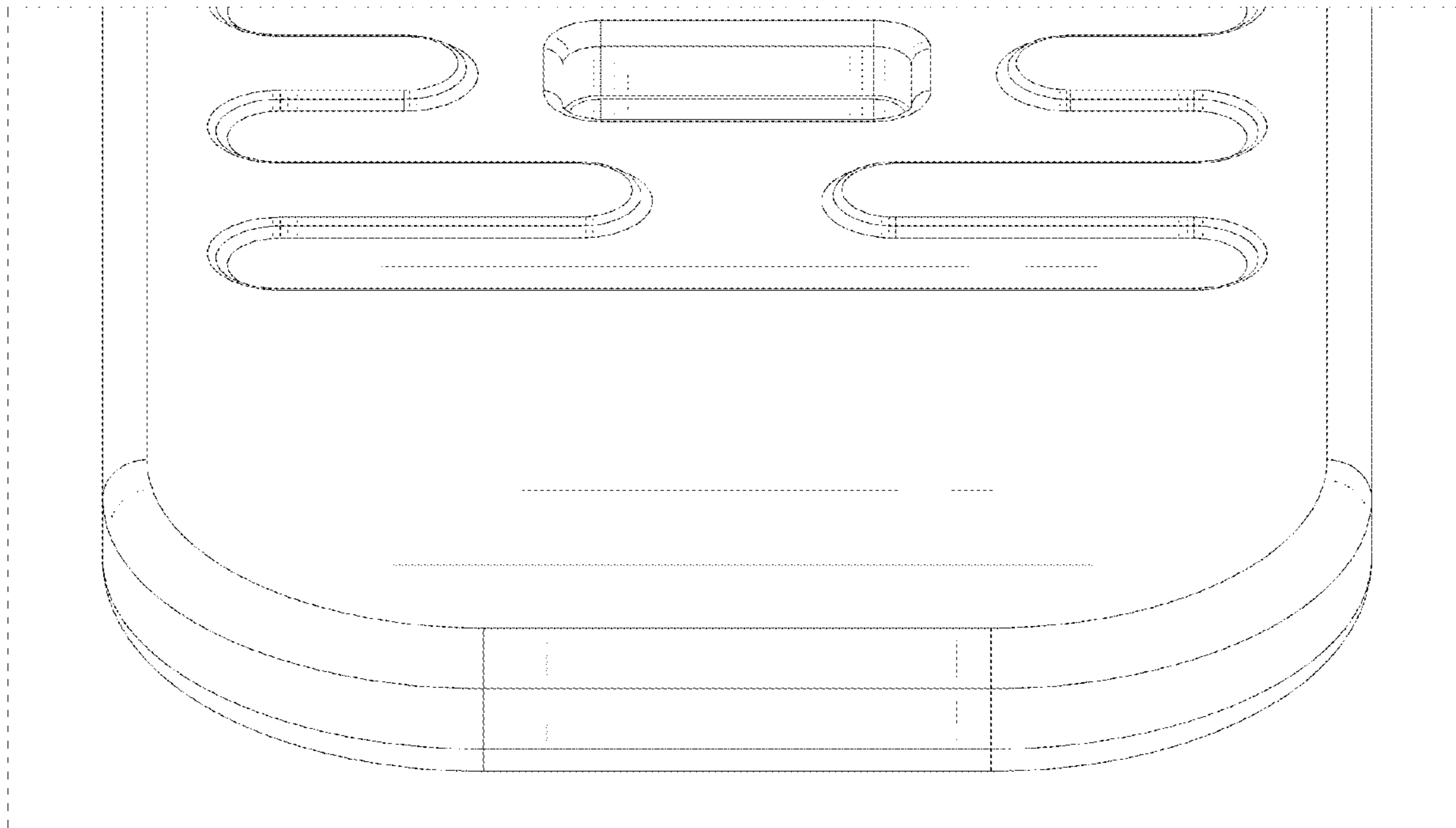


FIG. 11

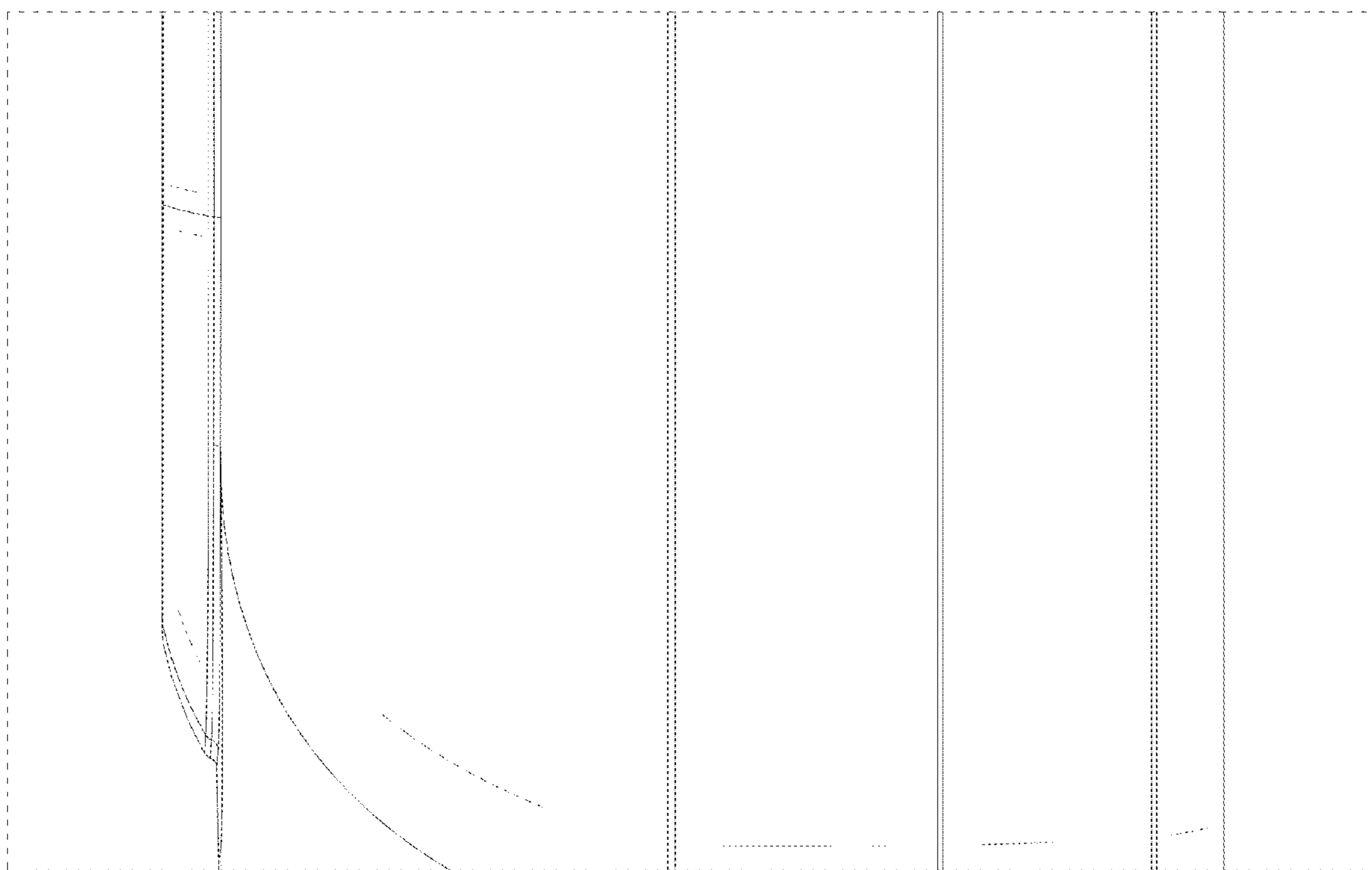


FIG. 12