



US00D962232S

(12) **United States Design Patent** (10) **Patent No.:** **US D962,232 S**  
**Gao** (45) **Date of Patent:** **\*\* Aug. 30, 2022**

(54) **SMART WATCH**

(71) Applicant: **Min Zhou**, Jiangxi (CN)

(72) Inventor: **Jinfeng Gao**, Hubei (CN)

(73) Assignee: **Min Zhou**, Yichun (CN)

(\*\*) Term: **15 Years**

(21) Appl. No.: **29/770,624**

(22) Filed: **Feb. 14, 2021**

(30) **Foreign Application Priority Data**

Jan. 26, 2021 (CN) ..... 202130056771.3

(51) **LOC (13) Cl.** ..... **14-02**

(52) **U.S. Cl.**  
USPC ..... **D14/344**

(58) **Field of Classification Search**

USPC ..... D10/30-39, 70, 98, 1-2, 5, 10, 14-15,  
D10/21, 30-41; D11/3, 4, 5, 8, 26,  
D11/93-94, 78.1, 79, 86, 99; D5/56,  
D5/59-60, 99; D24/167, 186-190, 164,  
D24/169; D14/138 R, 144, 341, 344,  
D14/358, 388, 218

CPC .... A41D 1/002; A41D 19/0034; G04G 17/00;  
G04G 17/02; G04G 17/08; G04G 17/083;  
G04G 17/086; G04G 17/005; G04G  
13/028; G04G 11/00; G04G 9/00; G04C  
3/00; G04C 3/001; G04C 3/002; G04C  
3/004; G04C 3/005; G04C 3/007; G04C  
23/02; G04C 23/04; G04C 17/00; G04B  
3/04; G04B 19/24; G04B 19/26; G04B  
37/00;

(Continued)

(56) **References Cited**

**U.S. PATENT DOCUMENTS**

D744,356 S 12/2015 Akana et al.  
D777,163 S 1/2017 Akana et al.

(Continued)

**OTHER PUBLICATIONS**

EBAKIN Smart Watch, first available Apr. 12, 2021, amazon.com, [online], [site visited Feb. 6, 2021], Available from internet URL: [https://www.amazon.com/dp/B0928VMNMX/ref=sspa\\_dk\\_detail\\_0?psc=1&pd\\_rd\\_i=B0928VMNMX&pd\\_rd\\_w=r5Anu&pf\\_rd\\_p=7771f1a2-d77a-4098-a%E2%80%A6](https://www.amazon.com/dp/B0928VMNMX/ref=sspa_dk_detail_0?psc=1&pd_rd_i=B0928VMNMX&pd_rd_w=r5Anu&pf_rd_p=7771f1a2-d77a-4098-a%E2%80%A6) (Year: 2021).\*

(Continued)

*Primary Examiner* — Samantha Q Lawrence

*Assistant Examiner* — Holly M Rodriguez

(74) *Attorney, Agent, or Firm* — Dragon Sun Law Firm, P.C.; Jinggao Li, Esq.; Nathaniel Perkins

(57) **CLAIM**

The ornamental design for a smart watch, as shown and described.

**DESCRIPTION**

FIG. 1 is a front and right perspective view of a smart watch showing my new design;

FIG. 2 is a rear and left perspective view thereof;

FIG. 3 is a front view thereof;

FIG. 4 is a rear view thereof;

FIG. 5 is a left side view thereof;

FIG. 6 is a right side view thereof;

FIG. 7 is an enlarged top view thereof;

FIG. 8 is an enlarged bottom view thereof;

FIG. 9 is a partially enlarged view of FIG. 1;

FIG. 10 is a partially enlarged view of FIG. 2;

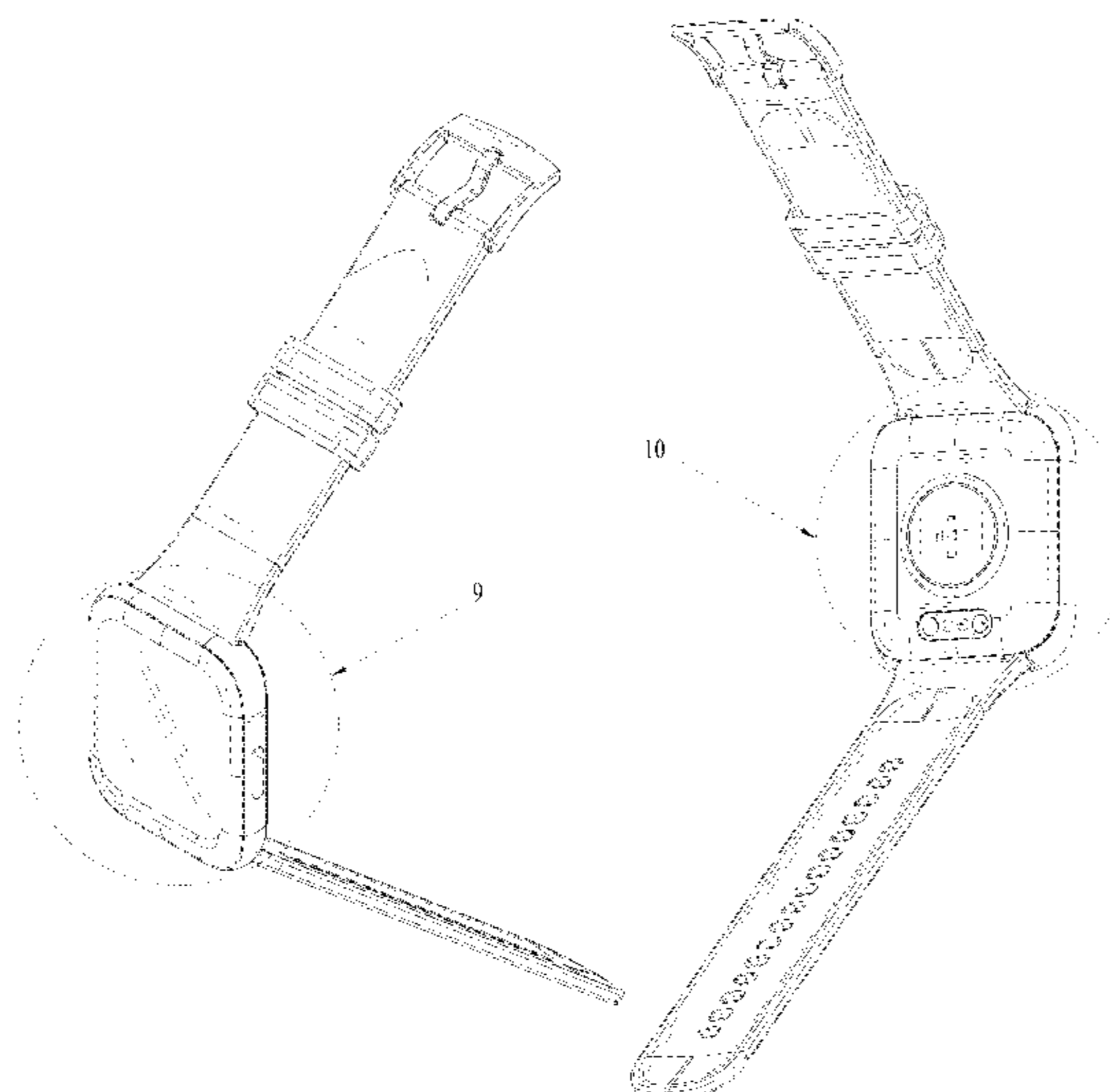
FIG. 11 is a partially enlarged view of FIG. 3;

FIG. 12 is a partially enlarged view of FIG. 4; and,

FIG. 13 is a partially enlarged view of FIG. 6.

The broken lines in the FIGS. 2, 4, 10, and 12 illustrate portions of the smart watch that form no part of the claimed design. The broken lines encircling portions of the claimed design in FIGS. 1-4 and 6 that are illustrated in enlargements in FIGS. 9-13, respectively, form no part of the claimed design.

**1 Claim, 13 Drawing Sheets**



(58) **Field of Classification Search**

CPC ..... G04B 45/0069; G04B 47/04; G04B 37/0008; G04B 37/0058; G04B 37/12; G04B 37/18; G04B 45/00; G04B 47/00; G04B 47/042; G04B 47/06; G04B 47/063; G04B 19/00; G04B 19/04; G04F 7/06; G04F 7/062; G04F 7/065; G04F 7/067; G04F 8/00; G04F 8/006; A44C 5/00; A44C 5/0007; A44C 5/0053; A44C 5/10; A44C 5/14

See application file for complete search history.

(56) **References Cited**

U.S. PATENT DOCUMENTS

D855,813 S \* 8/2019 Hu ..... D24/186  
D862,462 S \* 10/2019 Zhang ..... D14/344  
D867,179 S 11/2019 Akana et al.

D869,461 S \* 12/2019 Ke ..... D14/344  
D875,576 S 2/2020 Akana et al.  
D900,808 S \* 11/2020 Vandenbussche ..... D14/344  
D910,617 S \* 2/2021 Vandenbussche ..... D14/344

OTHER PUBLICATIONS

Fitbit Versa 3, first available Aug. 25, 2020, amazon.com, [online], [site visited Feb. 6, 2021], Available from internet URL: [https://www.amazon.com/dp/B08DFPZG71/ref=sspa\\_dk\\_detail\\_4?psc=1&pd\\_rd\\_i=B08DFPZG71&pd\\_rd\\_w=JpAWz&pf\\_rd\\_p=45e679f6-d55f-4626-9%E2%80%A6](https://www.amazon.com/dp/B08DFPZG71/ref=sspa_dk_detail_4?psc=1&pd_rd_i=B08DFPZG71&pd_rd_w=JpAWz&pf_rd_p=45e679f6-d55f-4626-9%E2%80%A6) (Year: 2020).\*

MorePro Smart Watch, first available Nov. 8, 2019, amazon.com, [online], [site visited Feb. 6, 2021], Available from internet URL: [https://www.amazon.com/dp/B07ZFBWHZG/ref=sspa\\_dk\\_detail\\_1?pd\\_rd\\_i=B07ZFBWHZG&pd\\_rd\\_w=r5Anu&pf\\_rd\\_p=7771f1a2-d77a-4098-a19e-6%E2%80%A6](https://www.amazon.com/dp/B07ZFBWHZG/ref=sspa_dk_detail_1?pd_rd_i=B07ZFBWHZG&pd_rd_w=r5Anu&pf_rd_p=7771f1a2-d77a-4098-a19e-6%E2%80%A6) (Year: 2019).\*

\* cited by examiner

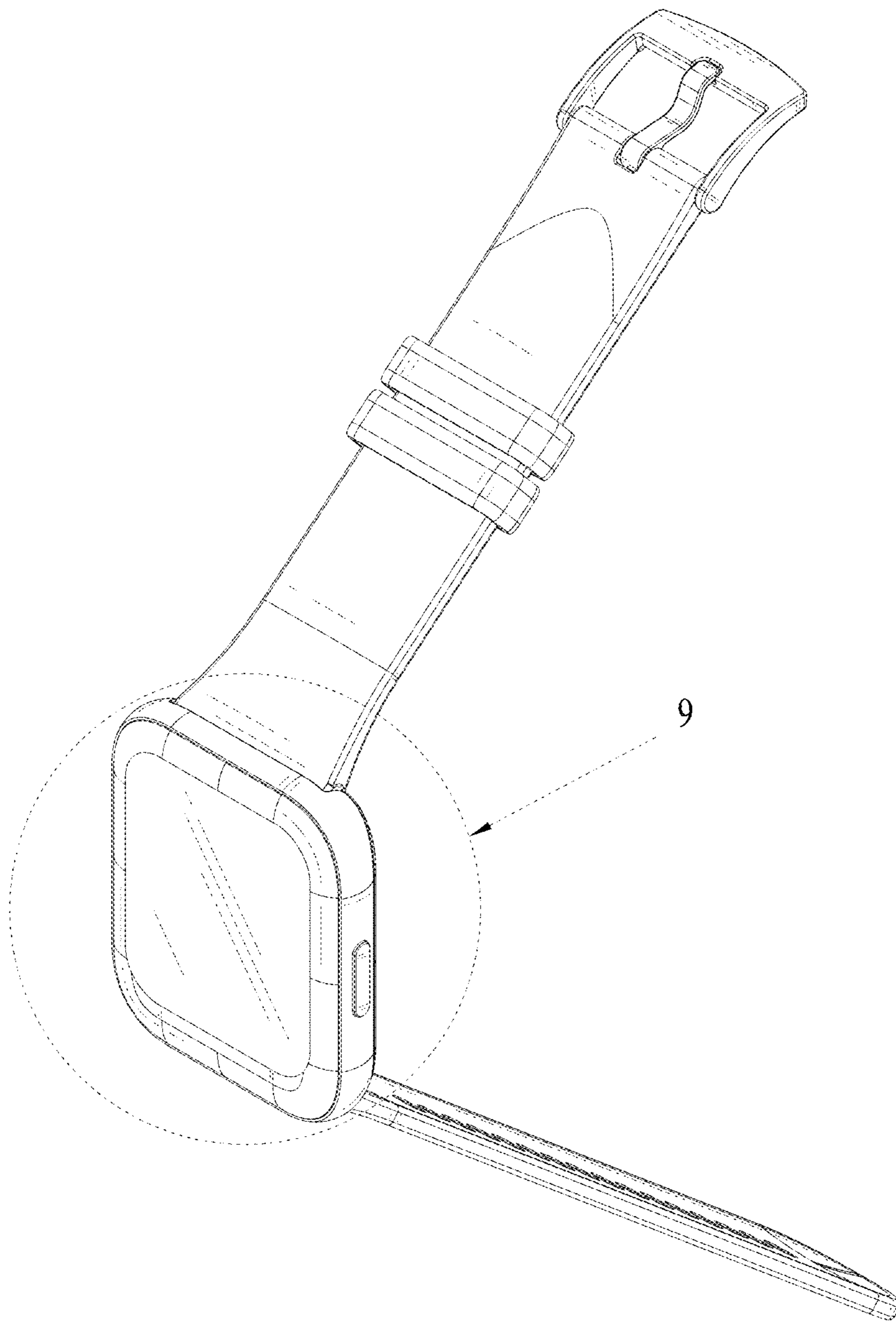


FIG. 1

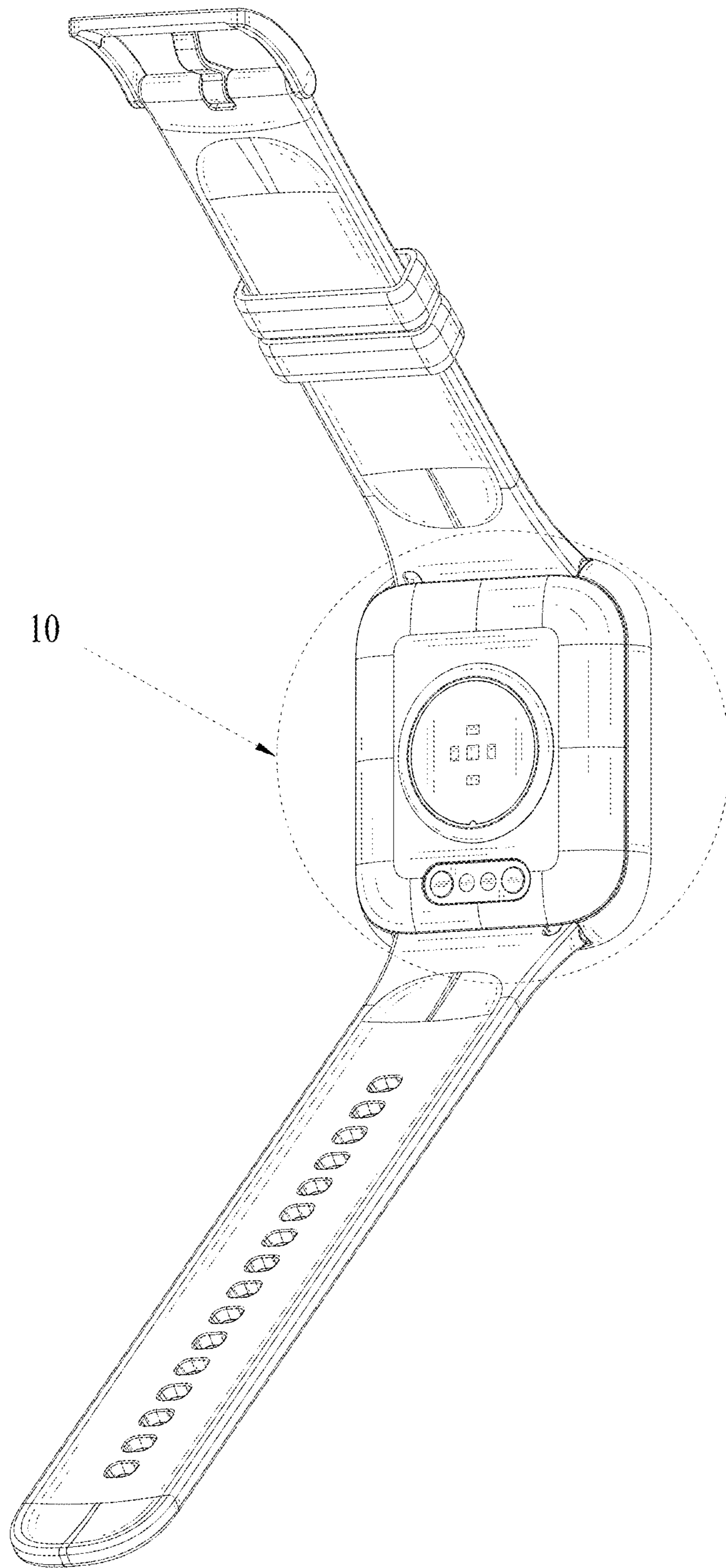


FIG. 2

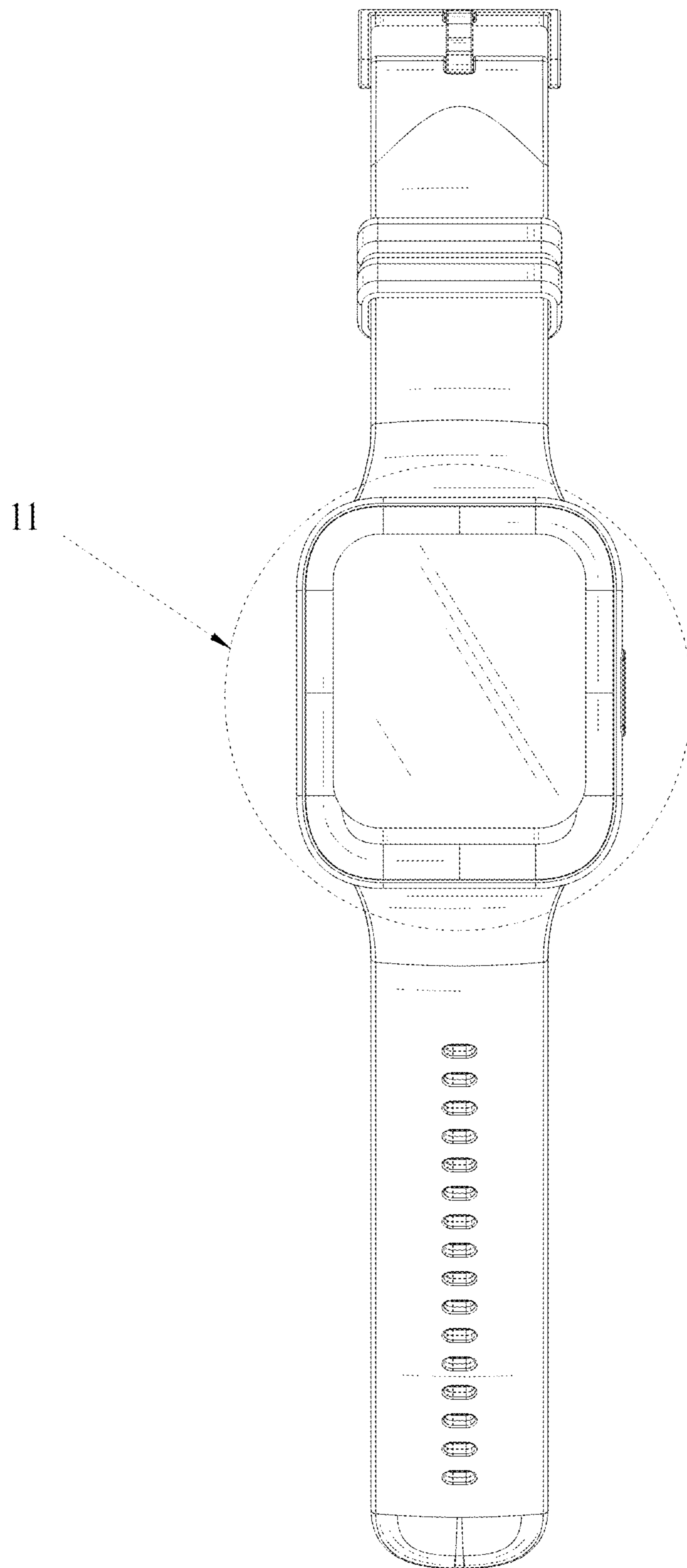


FIG. 3

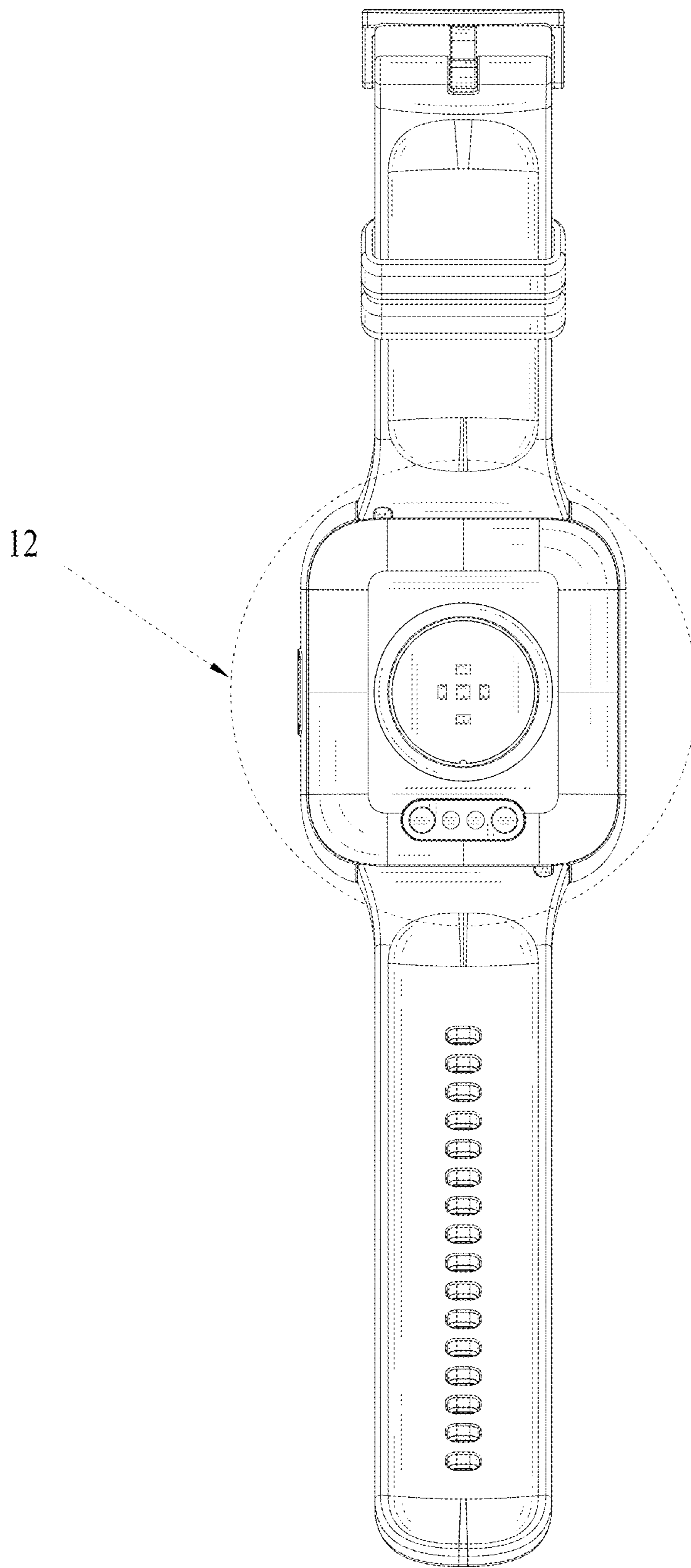


FIG. 4

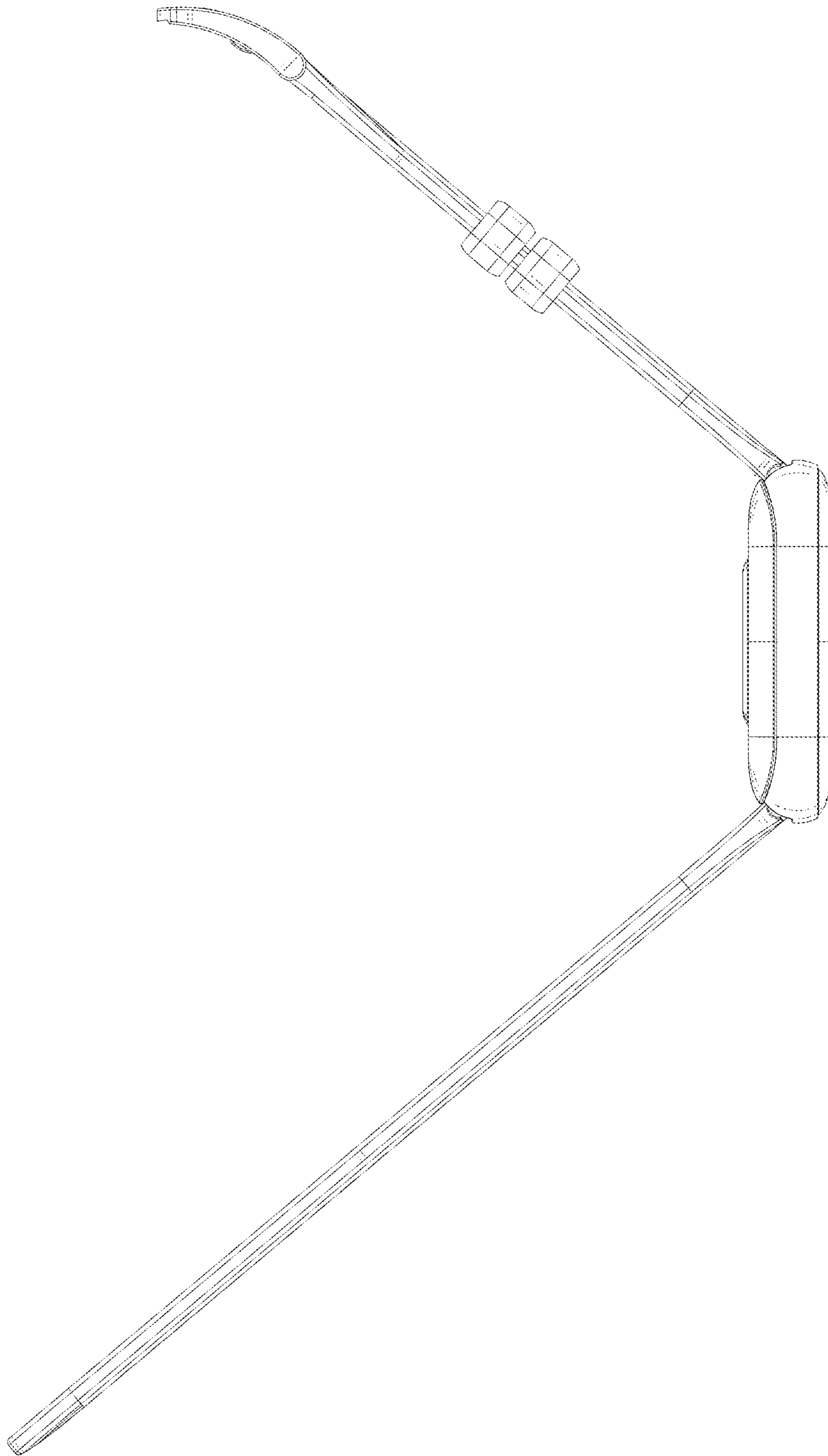


FIG. 5

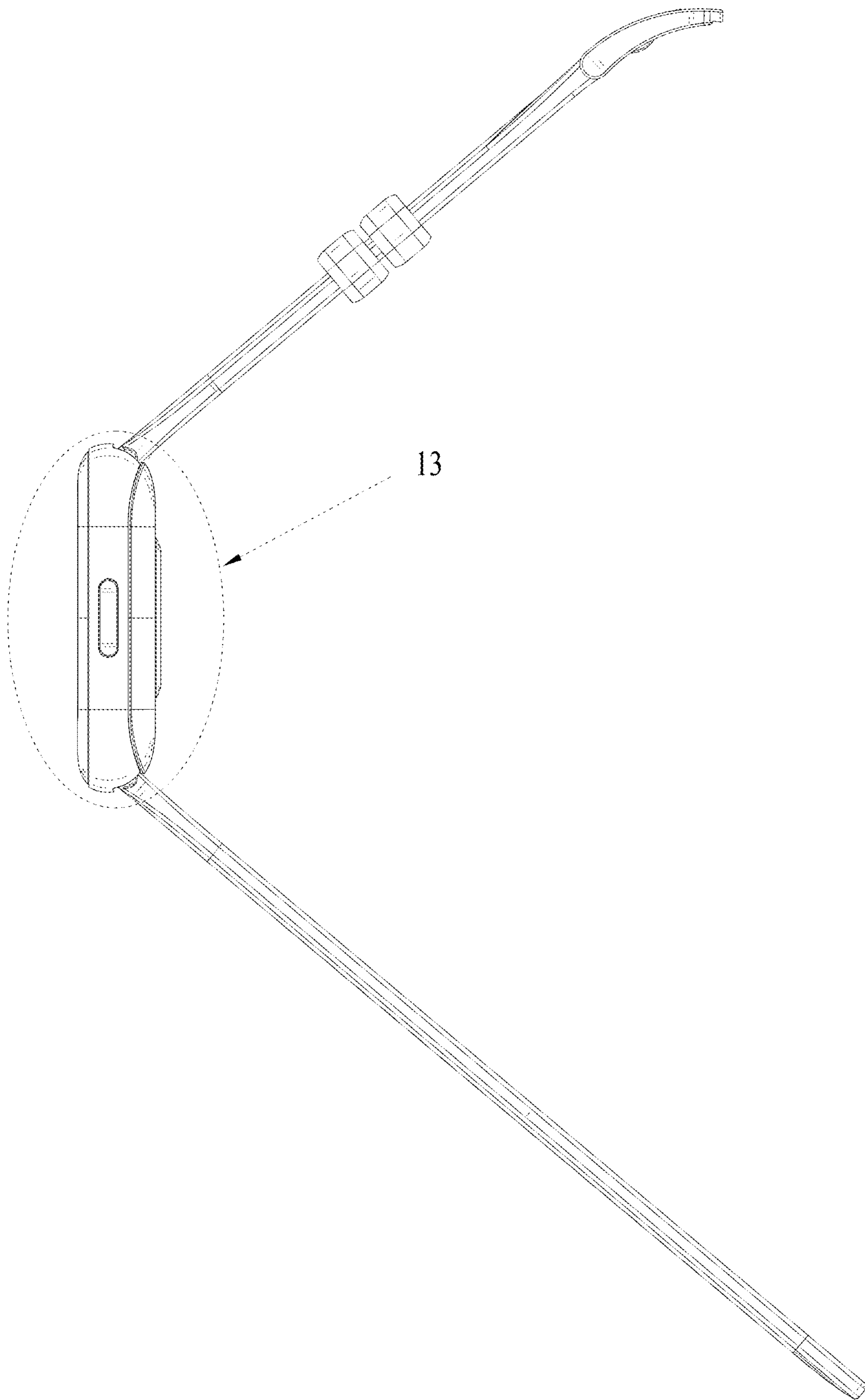


FIG. 6



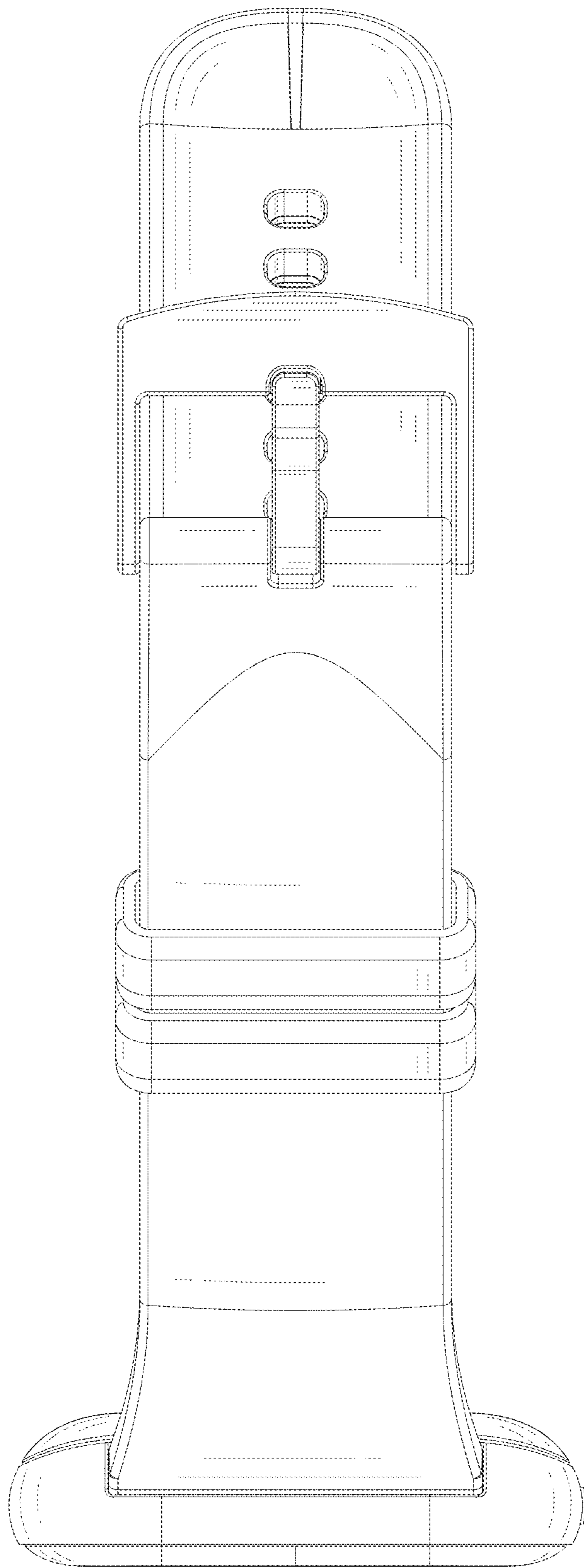


FIG. 7

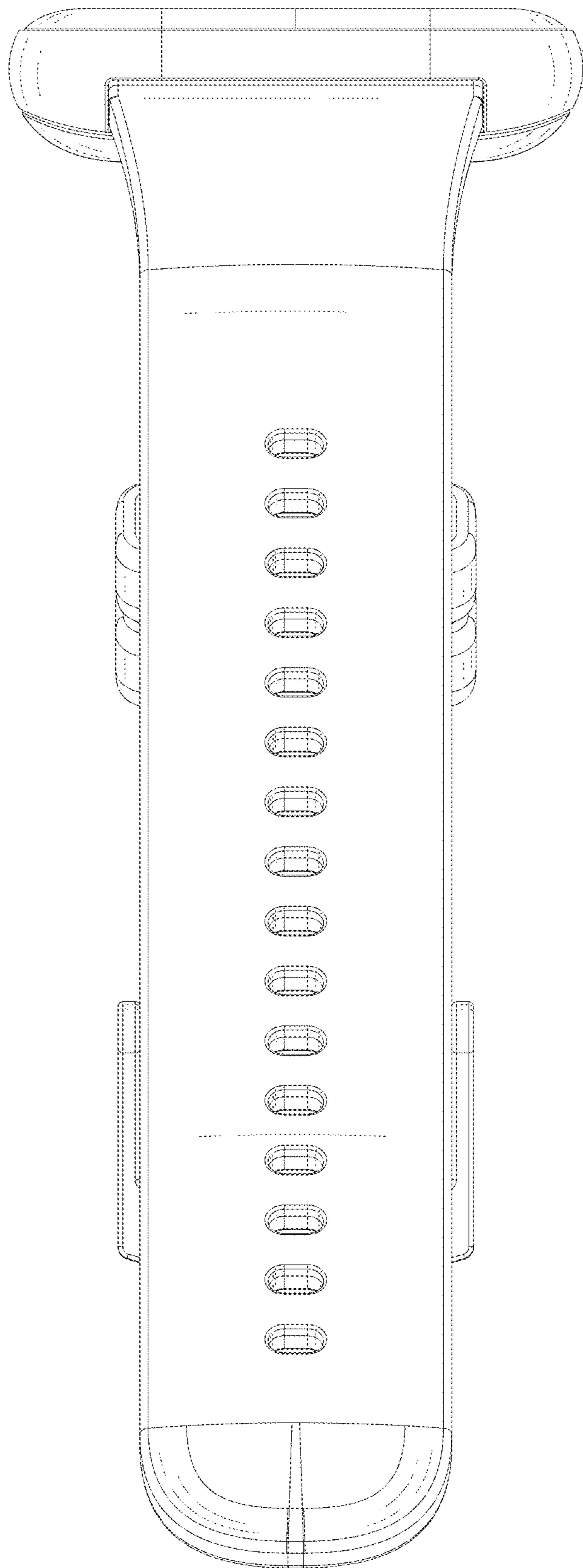


FIG. 8

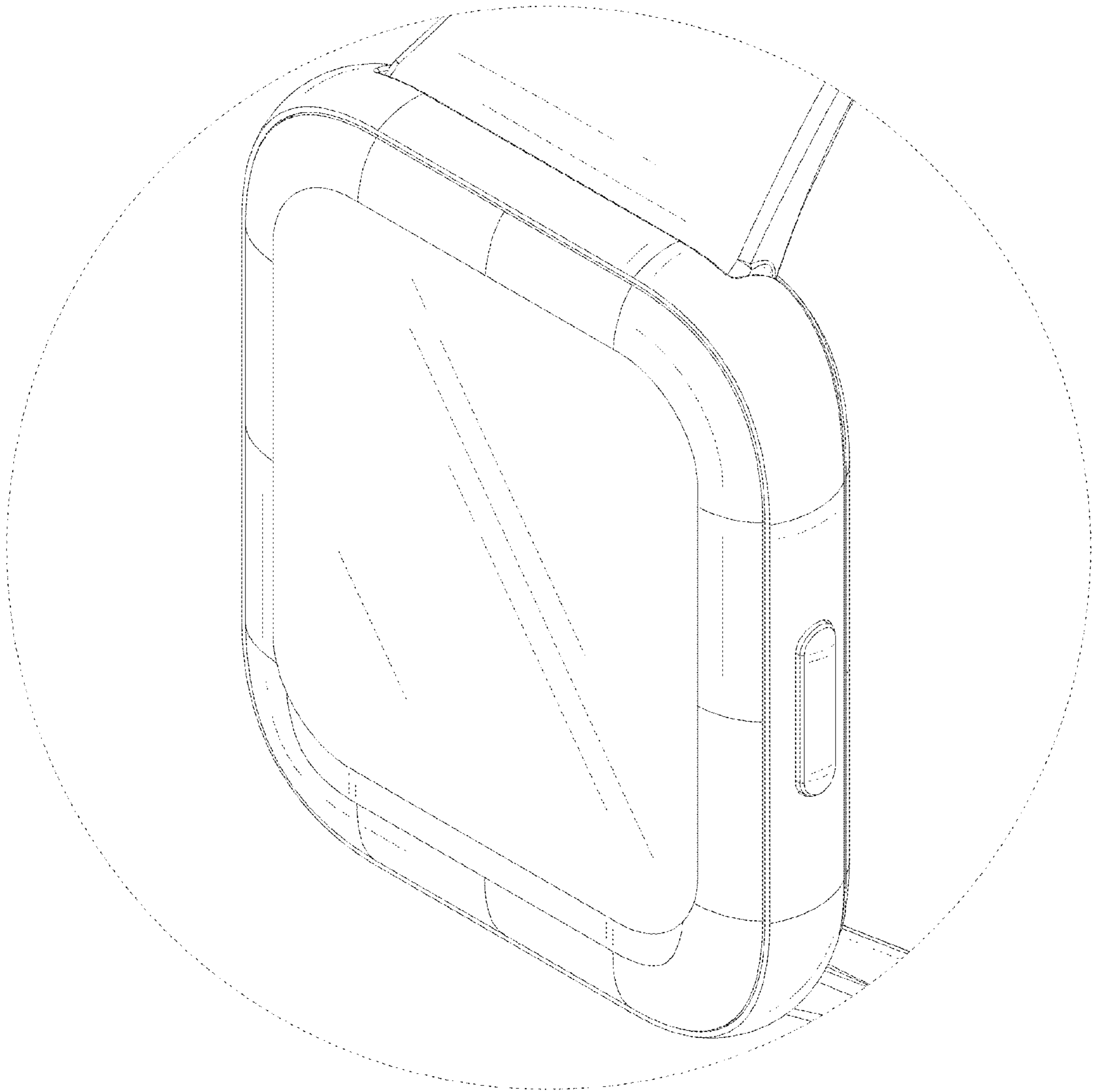


FIG. 9

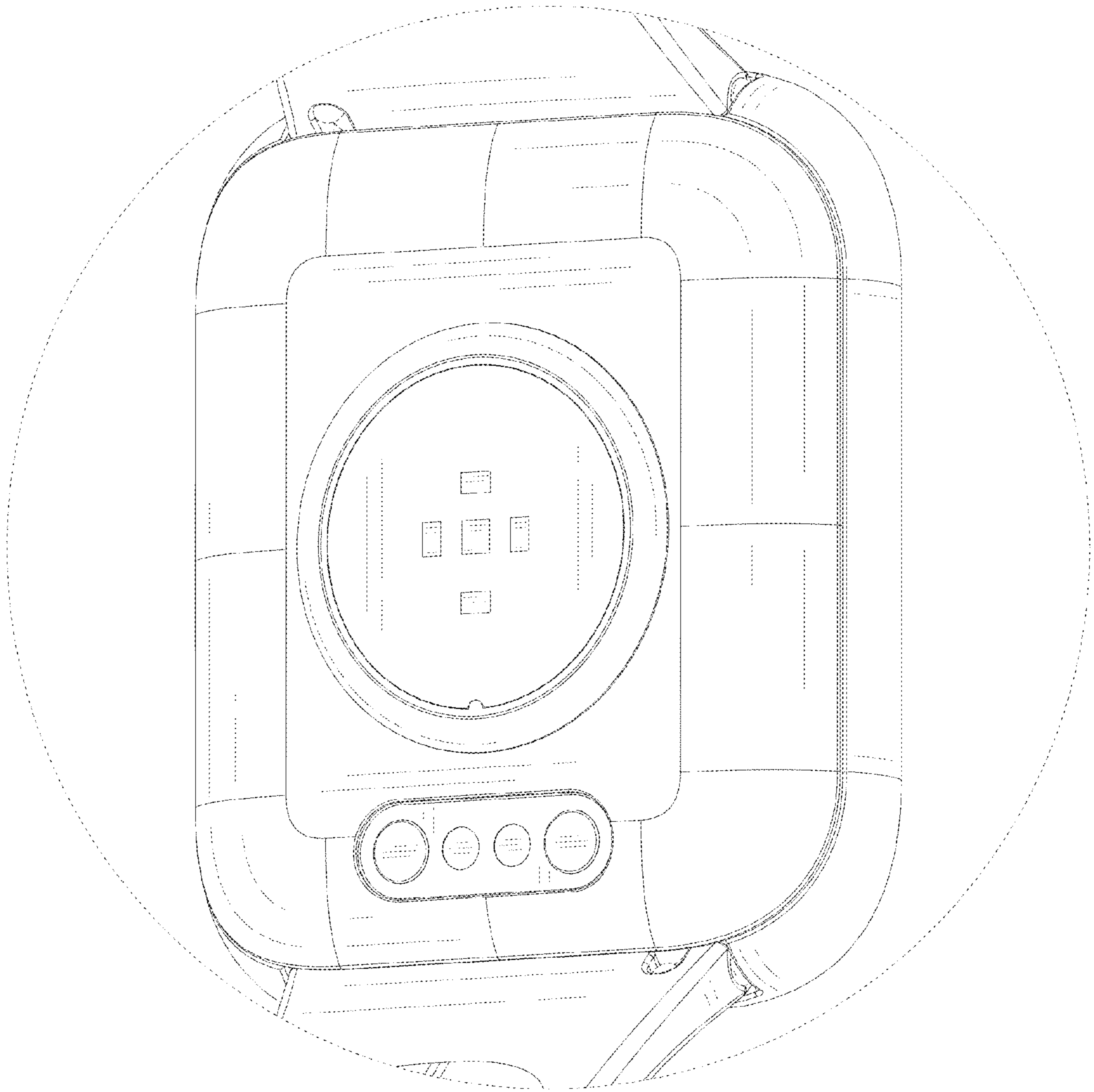


FIG. 10

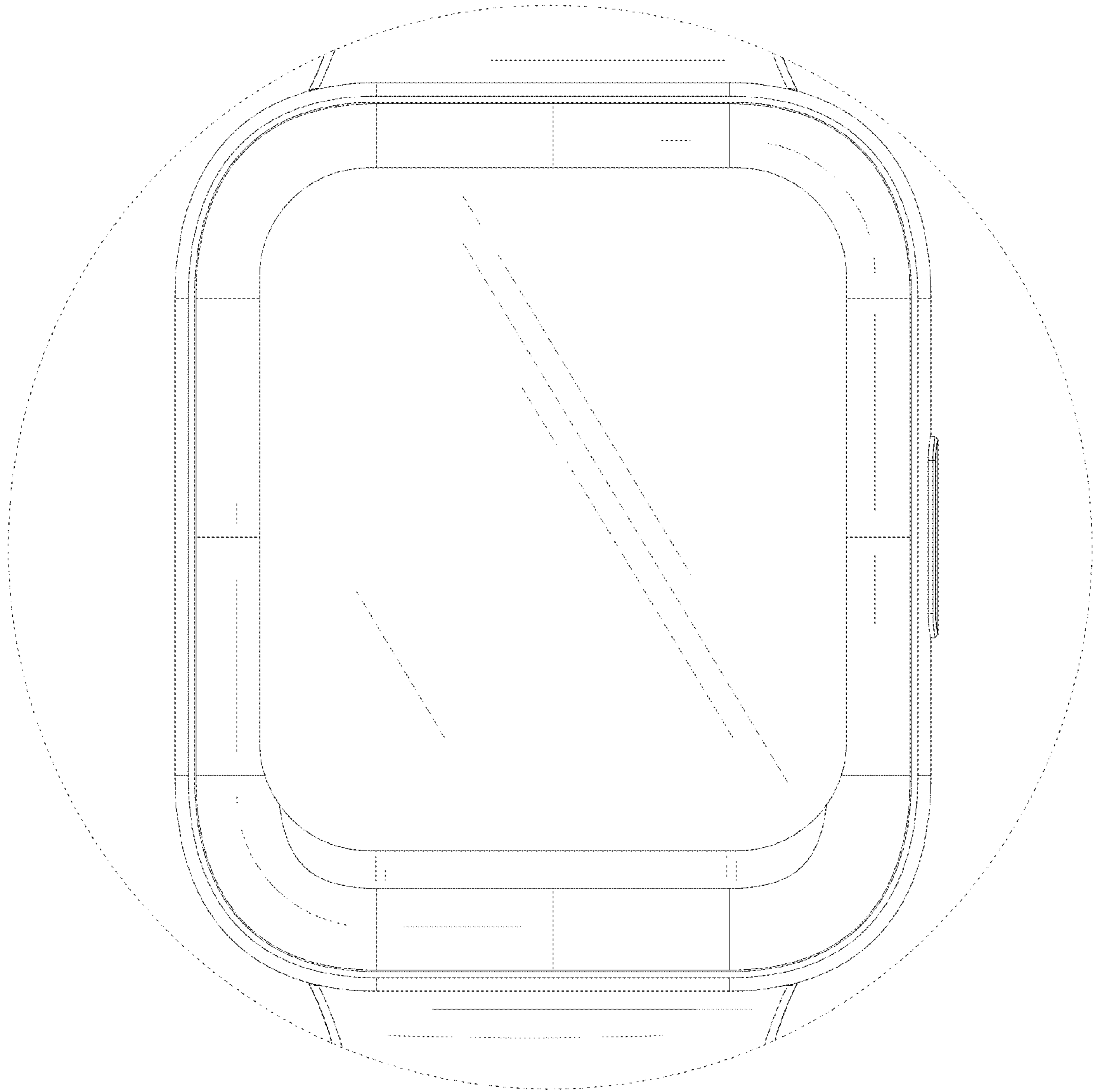


FIG. 11

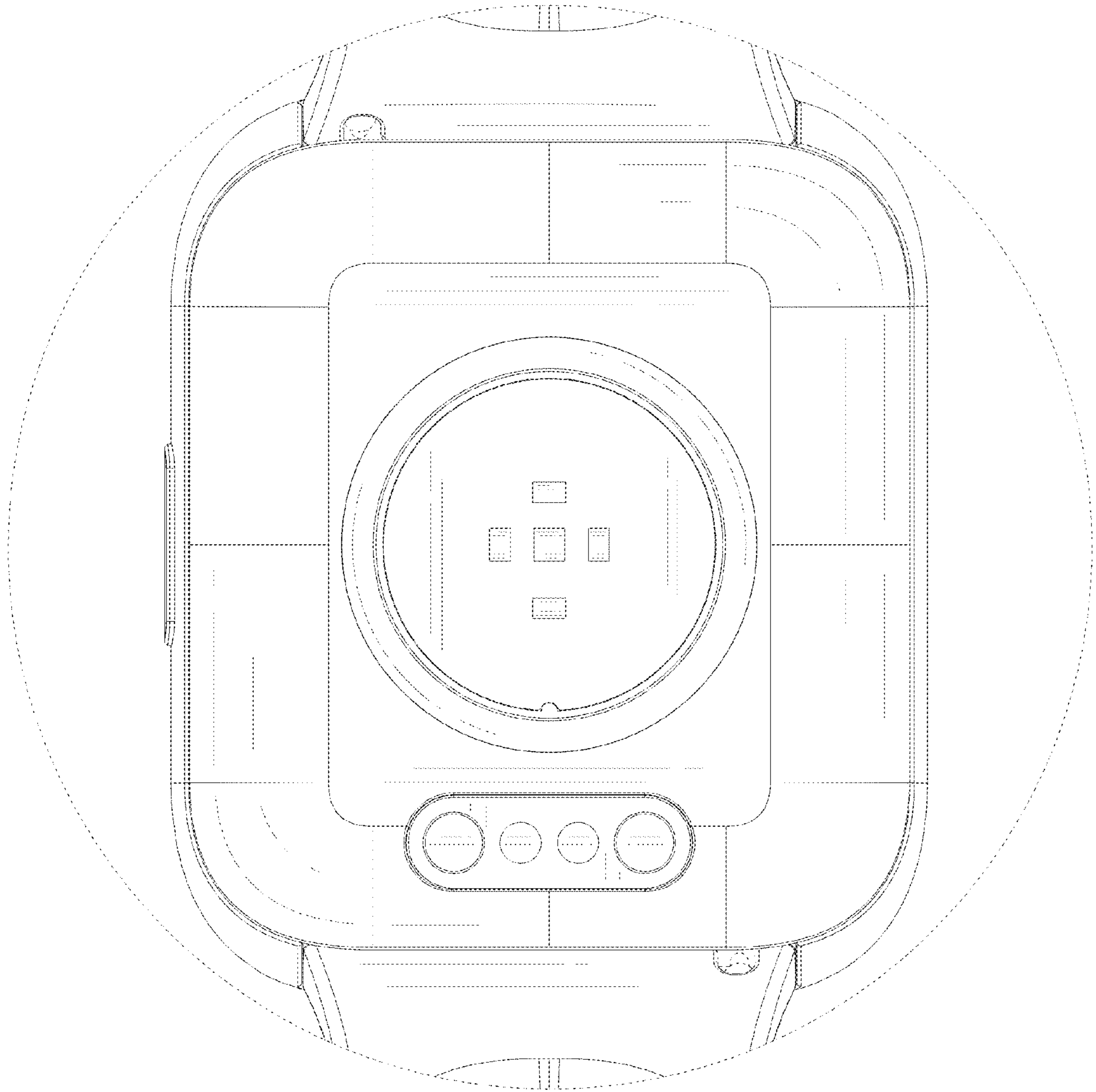


FIG. 12

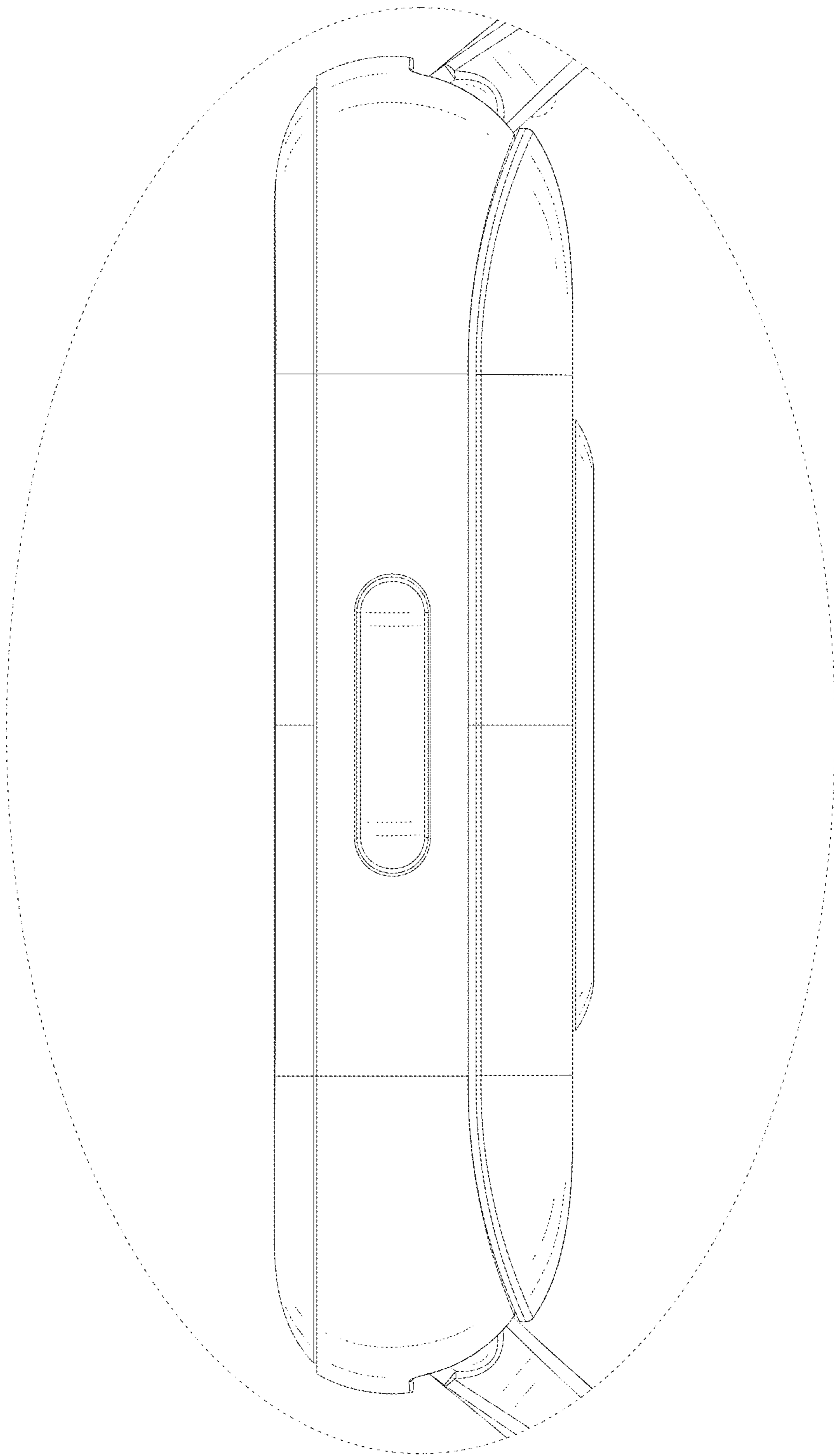


FIG. 13