



US00D962231S

(12) **United States Design Patent**
Gao

(10) **Patent No.:** **US D962,231 S**

(45) **Date of Patent:** **** Aug. 30, 2022**

(54) **SMART WATCH**

- (71) Applicant: **Xinyan Wu**, Henan (CN)
- (72) Inventor: **Jinfeng Gao**, Hubei (CN)
- (73) Assignee: **Xinyan Wu**, Wuyang County (CN)
- (**) Term: **15 Years**

(21) Appl. No.: **29/770,621**

(22) Filed: **Feb. 14, 2021**

(30) **Foreign Application Priority Data**

Jan. 14, 2021 (CN) 202130027279.3

(51) **LOC (13) Cl.** **14-02**

(52) **U.S. Cl.**
USPC **D14/344**

(58) **Field of Classification Search**

USPC D10/30-39, 70, 98, 1-2, 5, 10, 14-15,
D10/21, 30-41; D11/3, 4, 5, 8, 26,
D11/93-94, 78.1, 79, 86, 99; D5/56,
D5/59-60, 99; D24/167, 186-190, 164,
D24/169; D14/138 R, 144, 341, 344,
D14/358, 388, 218

CPC A41D 1/002; A41D 19/0034; G04G 17/00;
G04G 17/02; G04G 17/08; G04G 17/083;
G04G 17/086; G04G 17/005; G04G
13/028; G04G 11/00; G04G 9/00; G04C
3/00; G04C 3/001; G04C 3/002; G04C
3/004; G04C 3/005; G04C 3/007; G04C
23/02; G04C 23/04; G04C 17/00; G04B
3/04; G04B 19/24; G04B 19/26; G04B
37/00; G04B 45/0069; G04B 47/04;
G04B

(Continued)

(56) **References Cited**

U.S. PATENT DOCUMENTS

- D667,320 S * 9/2012 Conwell D10/39
- D744,356 S 12/2015 Akana et al.

(Continued)

OTHER PUBLICATIONS

Fire-Boltt Beast SpO2, first available Apr. 30, 2021, amazon.in, [online], [site visited May 17, 2021], Available from internet URL:https://www.amazon.in/Fire-Boltt-Industrys-Largest-Monitoring-Multiple/dp/B093H219V8/ref=psdc_2563504031_t1_B08L13YPGZ?th=1 (Year: 2021).*

(Continued)

Primary Examiner — Samantha Q Lawrence

Assistant Examiner — Holly M Rodriguez

(74) *Attorney, Agent, or Firm* — Dragon Sun Law Firm, P.C.; Jinggao Li, Esq.; Nathaniel Perkins

(57) **CLAIM**

The ornamental design for a smart watch, as shown and described.

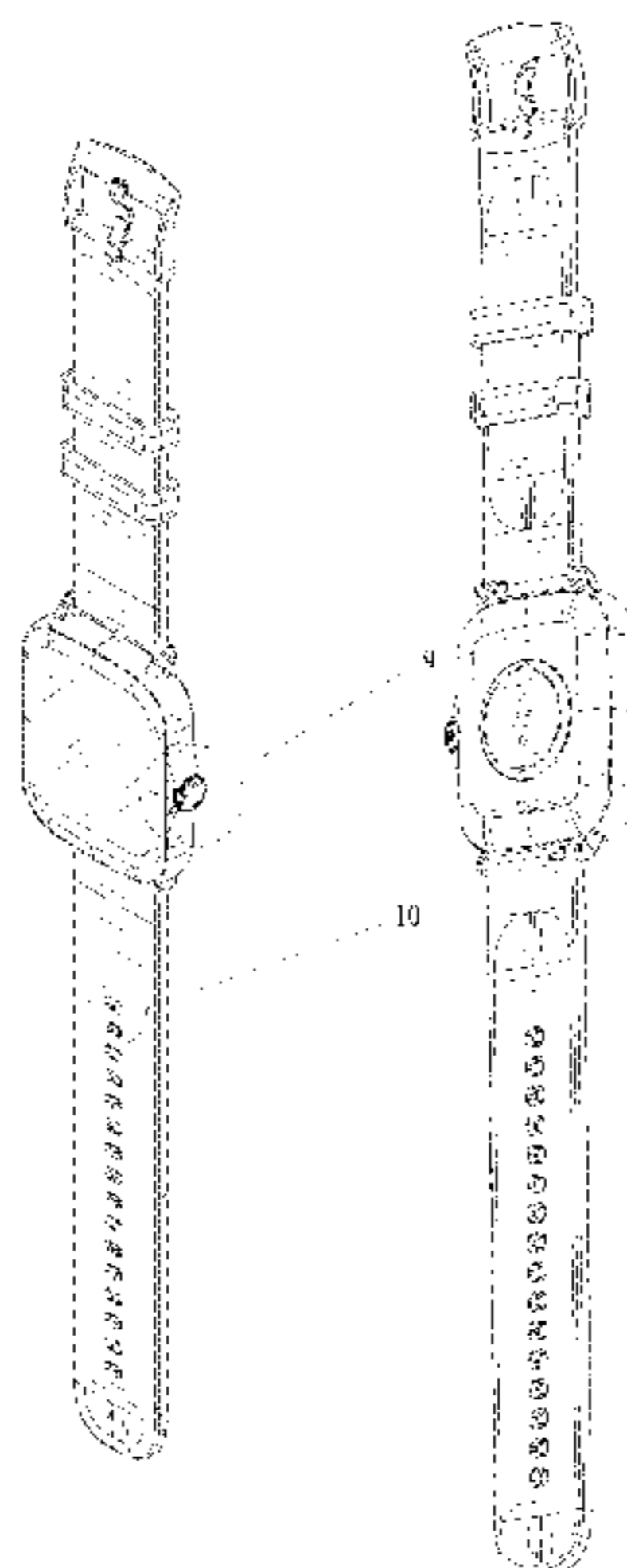
DESCRIPTION

FIG. 1 is a front and right perspective view of a smart watch showing my new design;
FIG. 2 is a rear and left perspective view thereof;
FIG. 3 is a front view thereof;
FIG. 4 is a rear view thereof;
FIG. 5 is a left side view thereof;
FIG. 6 is a right side view thereof;
FIG. 7 is an enlarged top view thereof;
FIG. 8 is an enlarged bottom view thereof;
FIG. 9 is a partially enlarged view of FIG. 1;
FIG. 10 is a partially enlarged view of FIG. 2;
FIG. 11 is a partially enlarged view of FIG. 3;
FIG. 12 is a partially enlarged view of FIG. 4; and,
FIG. 13 is a partially enlarged view of FIG. 6.

The broken lines in the FIG. 2 illustrate portions of the smart watch that form no part of the claimed design.

The broken lines encircling portions of the claimed design in FIGS. 1, 3, 4 and 6 that are illustrated in enlargements in FIGS. 9-13, respectively, form no part of the claimed design.

1 Claim, 13 Drawing Sheets



(58) **Field of Classification Search**

CPC 37/0008; G04B 37/0058; G04B 37/12;
 G04B 37/18; G04B 45/00; G04B 47/00;
 G04B 47/042; G04B 47/06; G04B
 47/063; G04B 19/00; G04B 19/04; G04F
 7/06; G04F 7/062; G04F 7/065; G04F
 7/067; G04F 8/00; G04F 8/006; A44C
 5/00; A44C 5/0007; A44C 5/0053; A44C
 5/10; A44C 5/14

See application file for complete search history.

(56) **References Cited**

U.S. PATENT DOCUMENTS

D777,163 S	1/2017	Akana et al.	
D867,179 S	11/2019	Akana et al.	
D869,294 S *	12/2019	Gimenez	D10/30
D869,462 S *	12/2019	Ke	D14/344
D875,576 S	2/2020	Akana et al.	
D889,459 S *	7/2020	Zhang	D14/344
D900,809 S *	11/2020	Gao	D14/344
D901,493 S *	11/2020	Gao	D14/344

D909,213 S *	2/2021	Orlando	D10/38
D915,398 S *	4/2021	Yu	D14/344
D917,467 S *	4/2021	Akana	D14/344

OTHER PUBLICATIONS

ATGTGA Smart Watch, first available Jan. 29, 2021, amazon.com, [online], [site visited May 13, 2021], Available from internet URL: https://www.amazon.com/Android-Receive-1-63Inch-Bluetooth-Fitness/dp/B08TWDG5ZQ/ref=asc_df_B08TWDG5ZQ/?tag=hyprod-20&linkCode=df0%E2%80%A6 (Year: 2021).*

Amazfit GTS 2 Smartwatch, first available Nov. 1, 2020, amazon.com, [online], [site visited May 17, 2021], Available from internet URL: https://www.amazon.com/Amazfit-Smartwatch-Bluetooth-Tracking-Resistant/dp/B08HR8V12C/ref=sr_1_3?dchild=1&keywords=Amazfit+GTS+2&qid=%E2%80%A6 (Year: 2020).*

2021 Fashion 1.7inch HD Full Touch Scroll Button Dual UI Heart Rate Monitor Digital Smartwatch, yawell.en.alibaba.com, [online], [site visited May, 19, 2021], Available from internet URL: (Year: 2020).*

https://yawell.en.alibaba.com/product/1600197474525-826137741/2021_Fashion_1_7inch_HD_Full_Touch_Scroll_Button_Dual_UI_Heart_Rate_Monitor_Digital_Smartwatch_Men_Women.html?spm=a2700.icbuShop.prsea43447.42.71781c9dwHgtwp.*

* cited by examiner

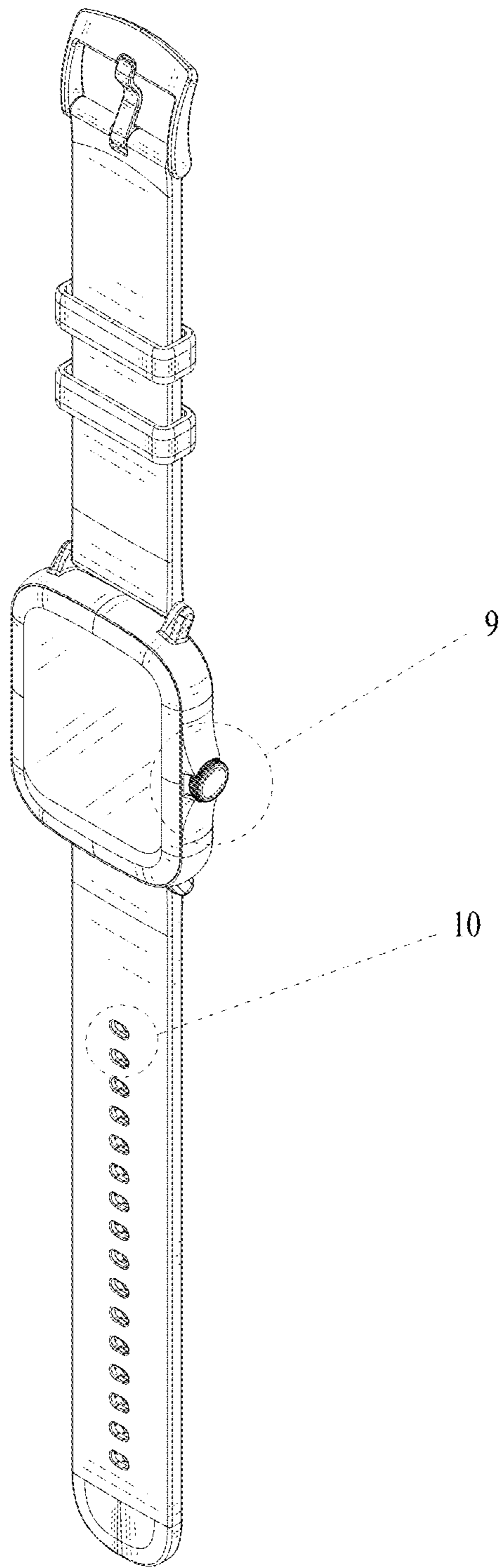


FIG. 1

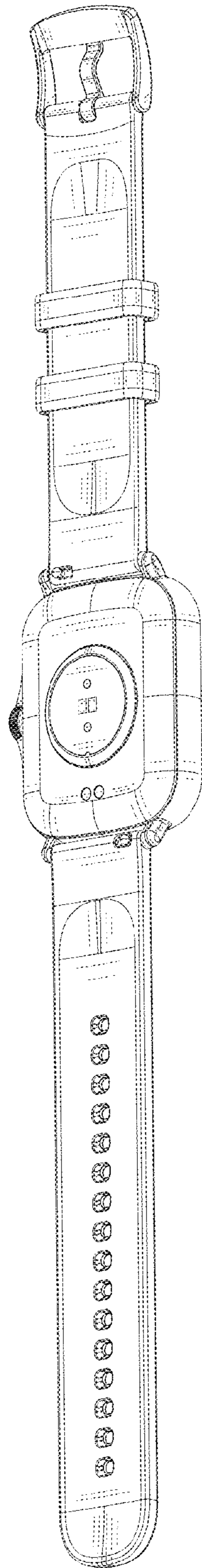


FIG. 2

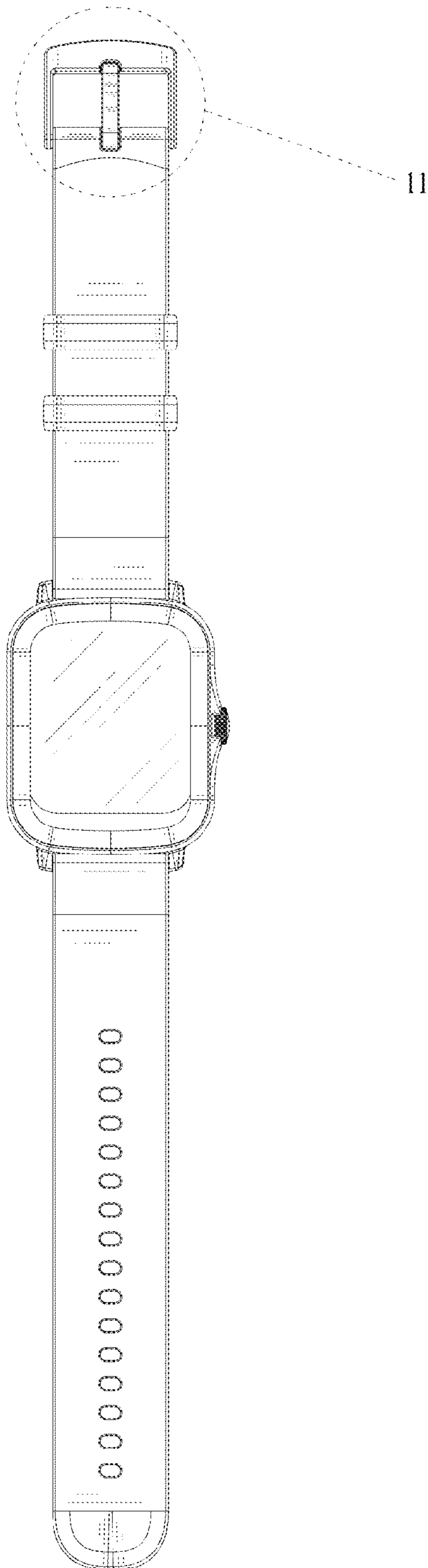


FIG. 3

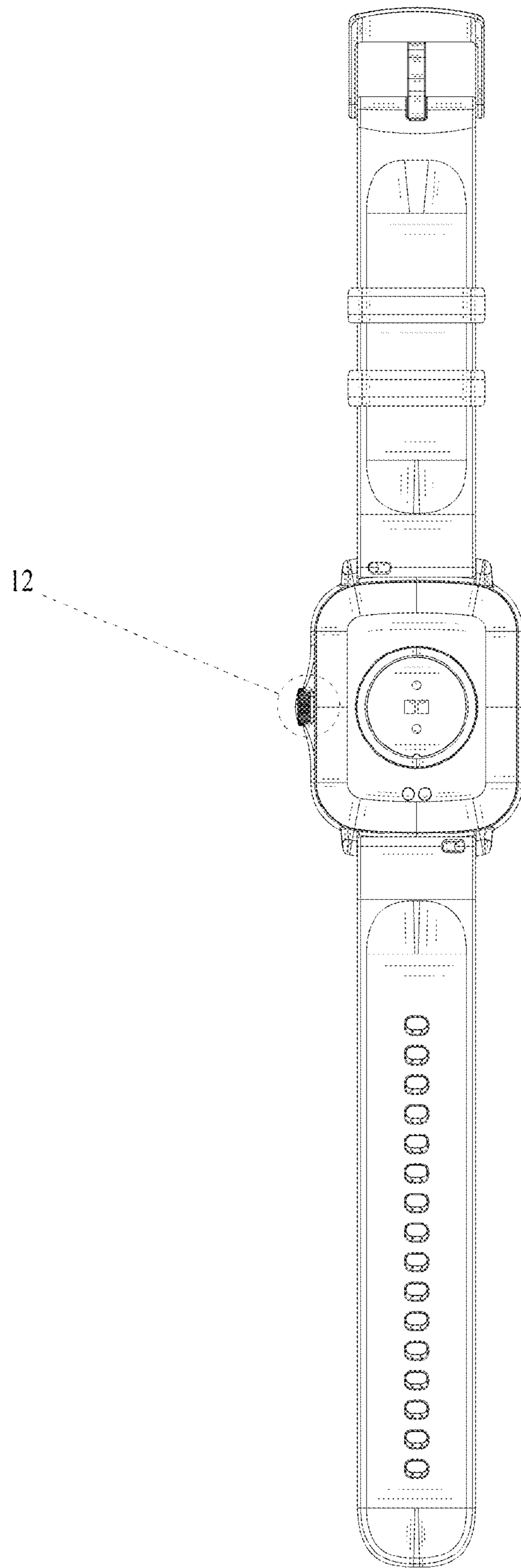


FIG. 4

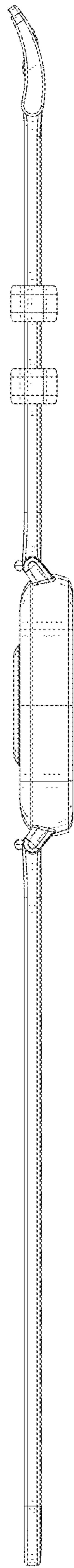


FIG. 5

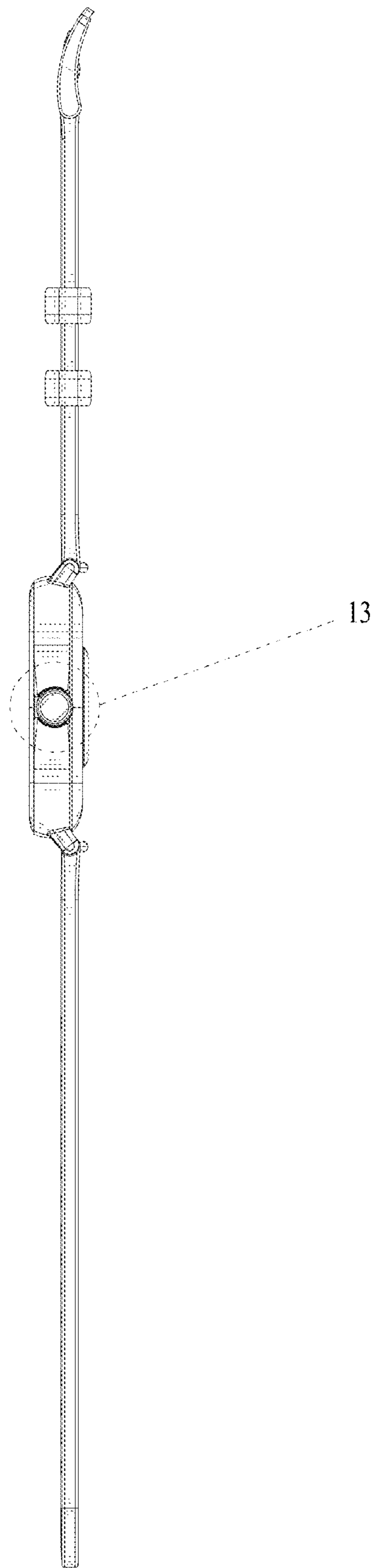


FIG. 6

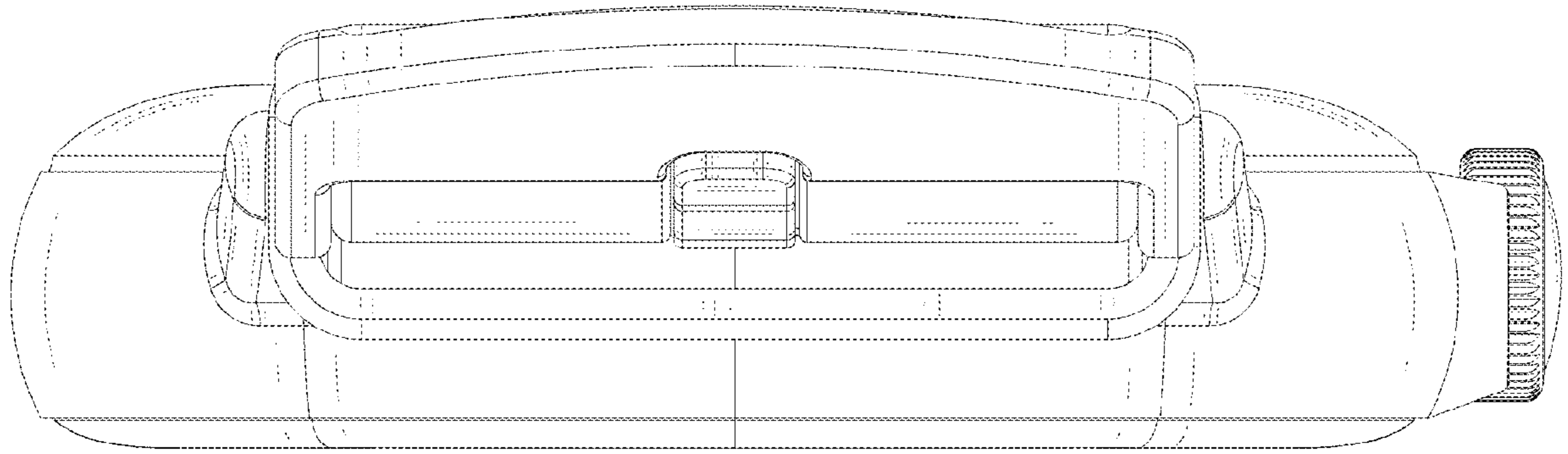


FIG. 7

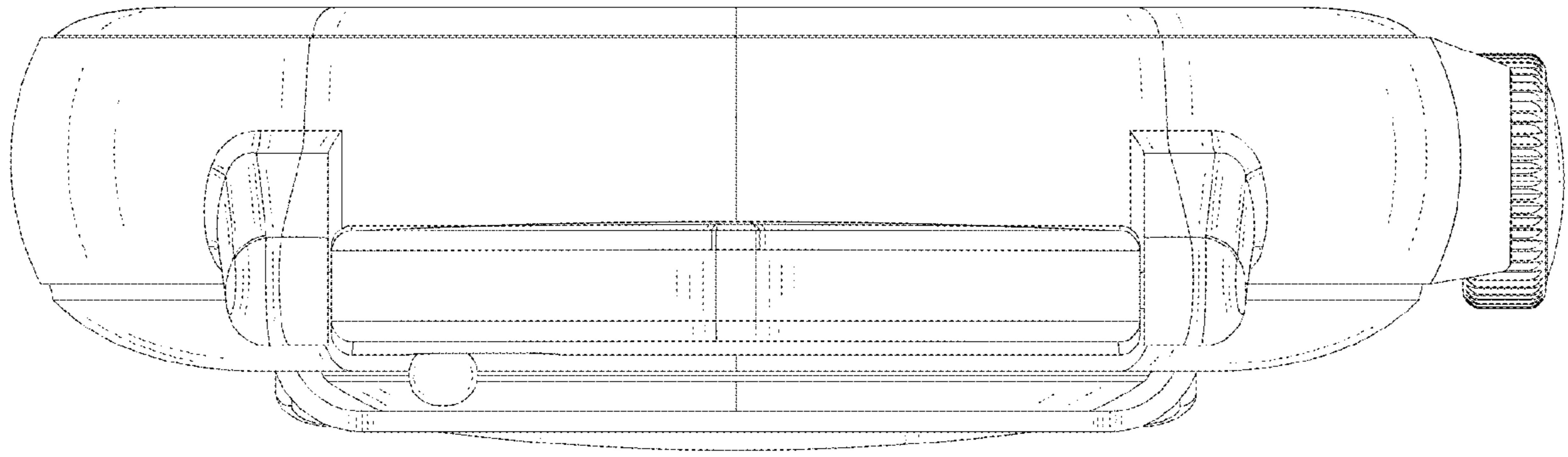


FIG. 8

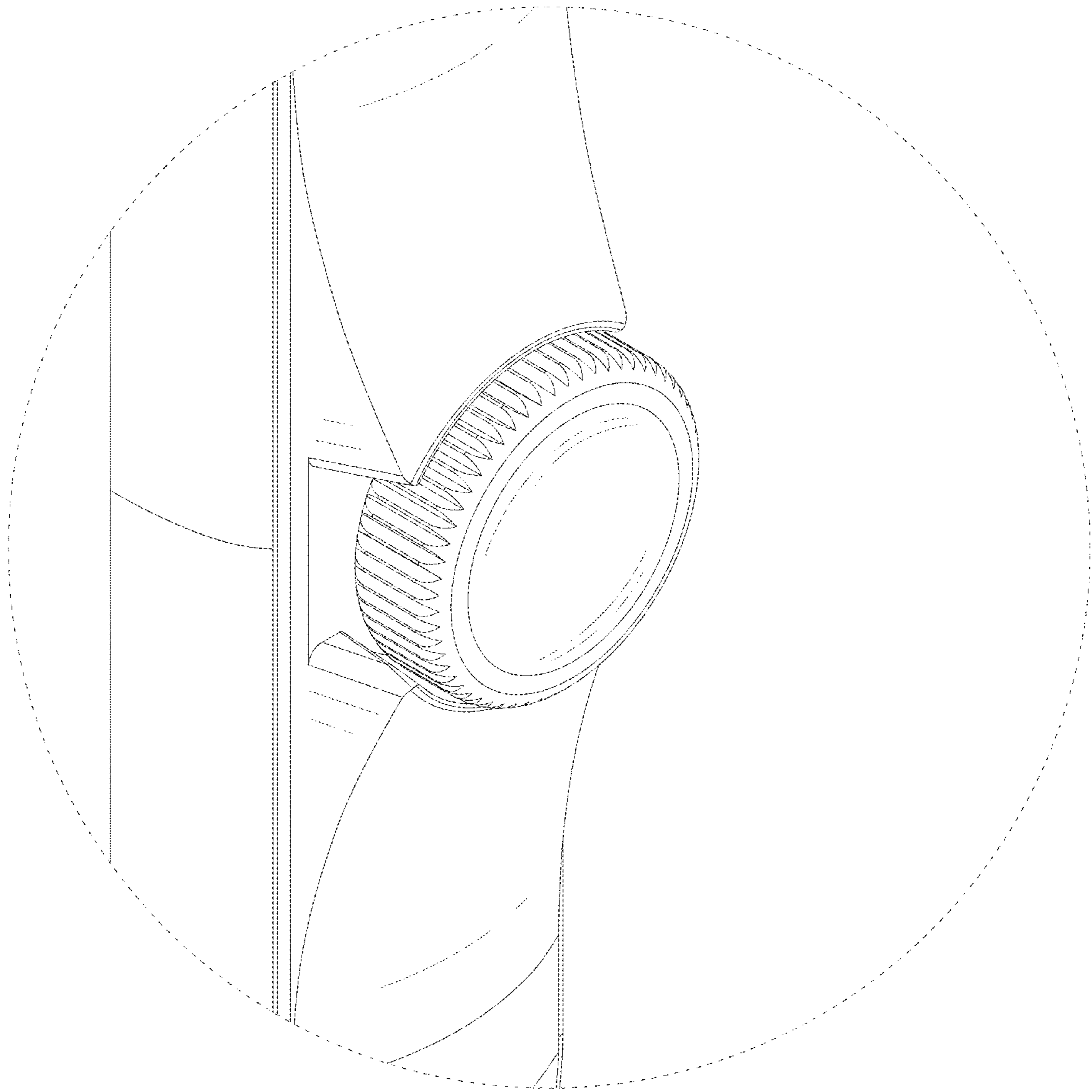


FIG. 9

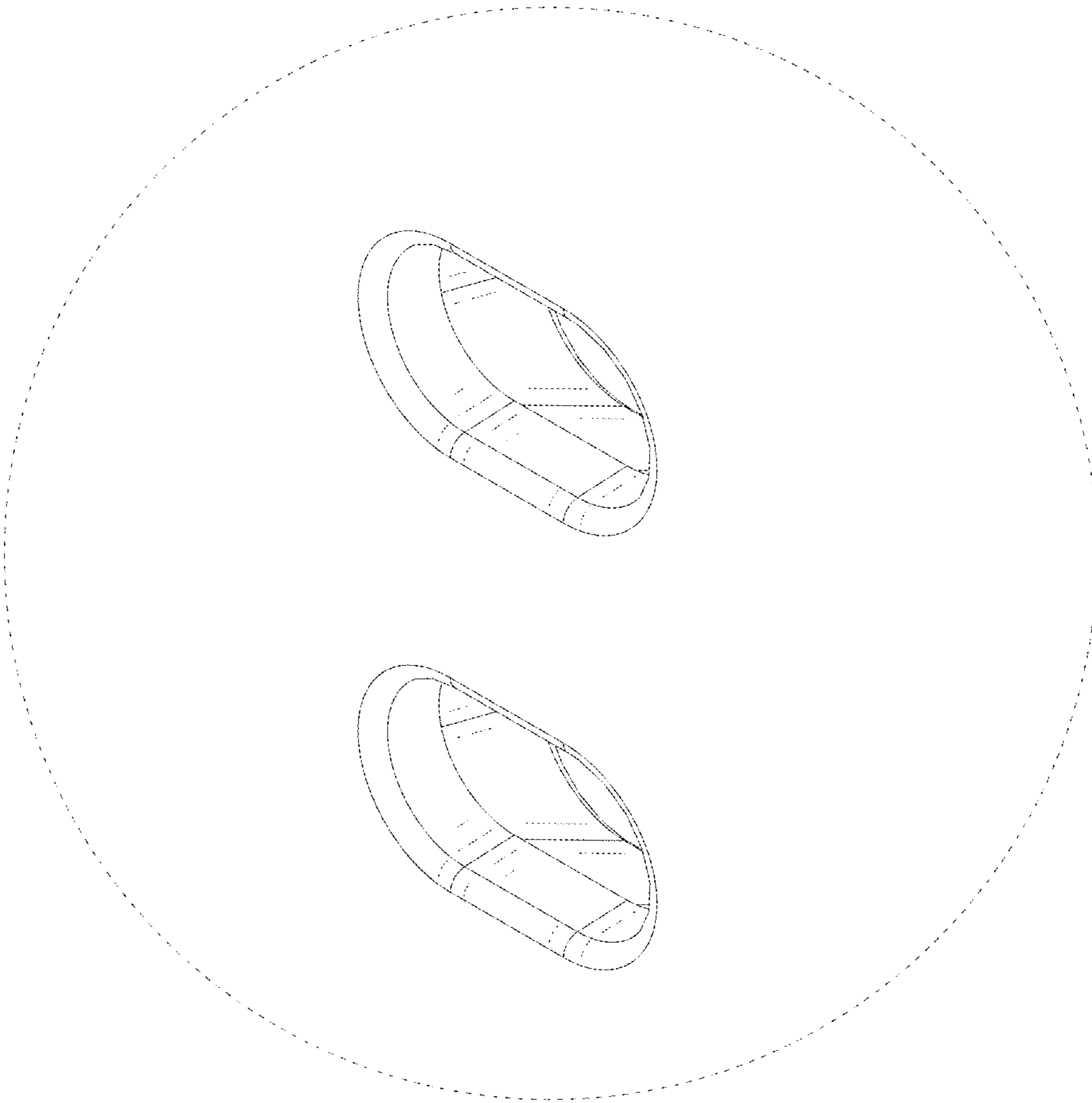


FIG. 10

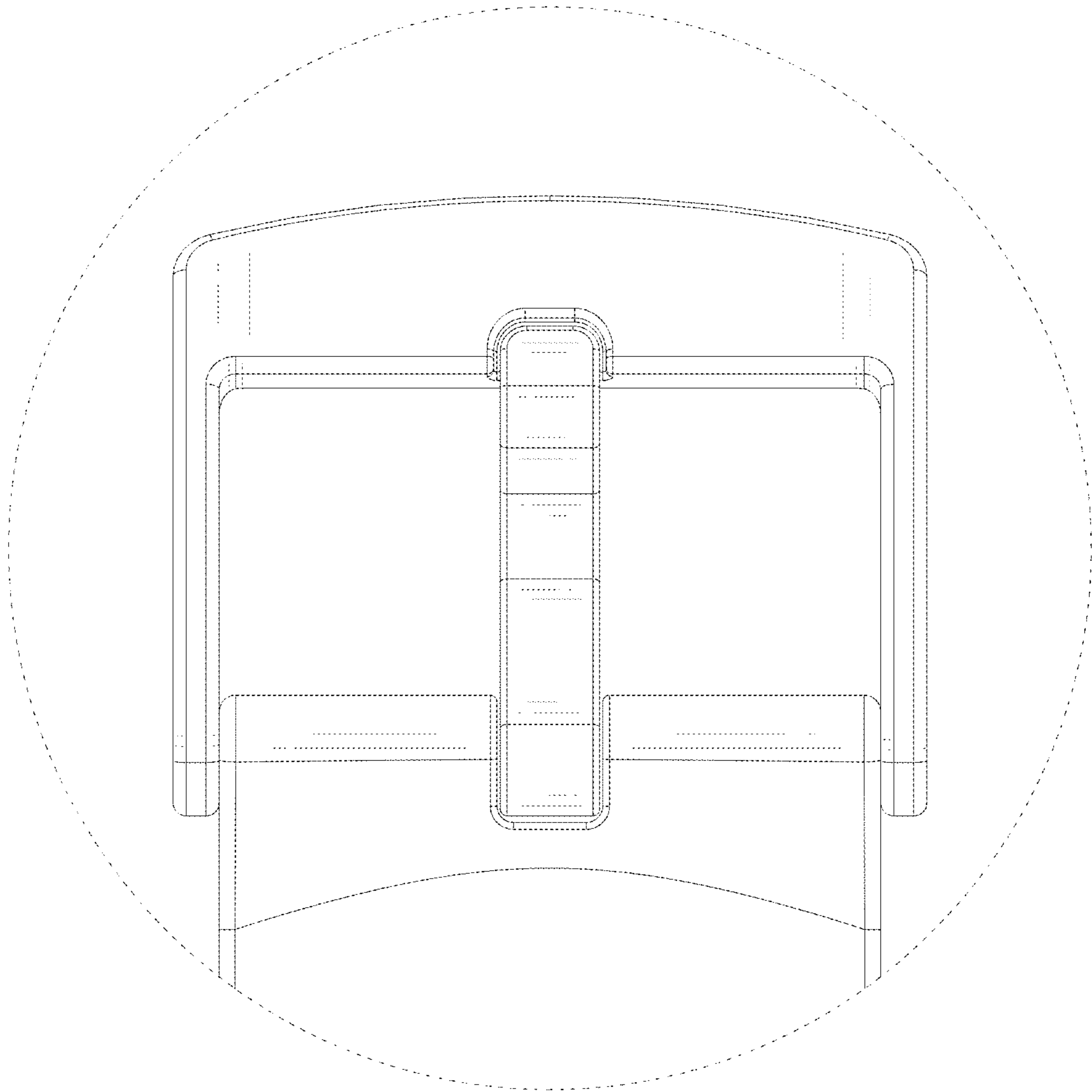


FIG. 11

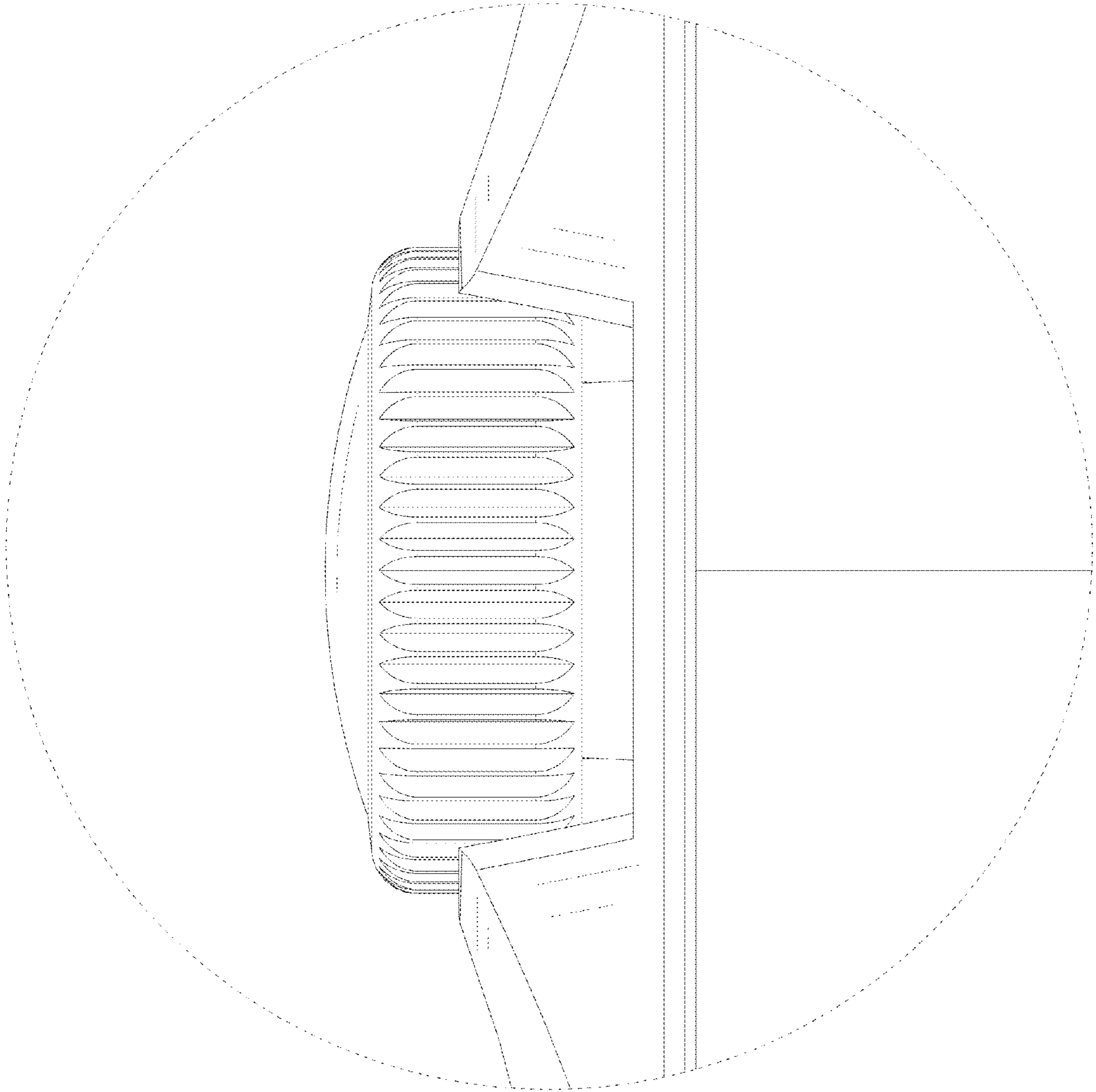


FIG. 12

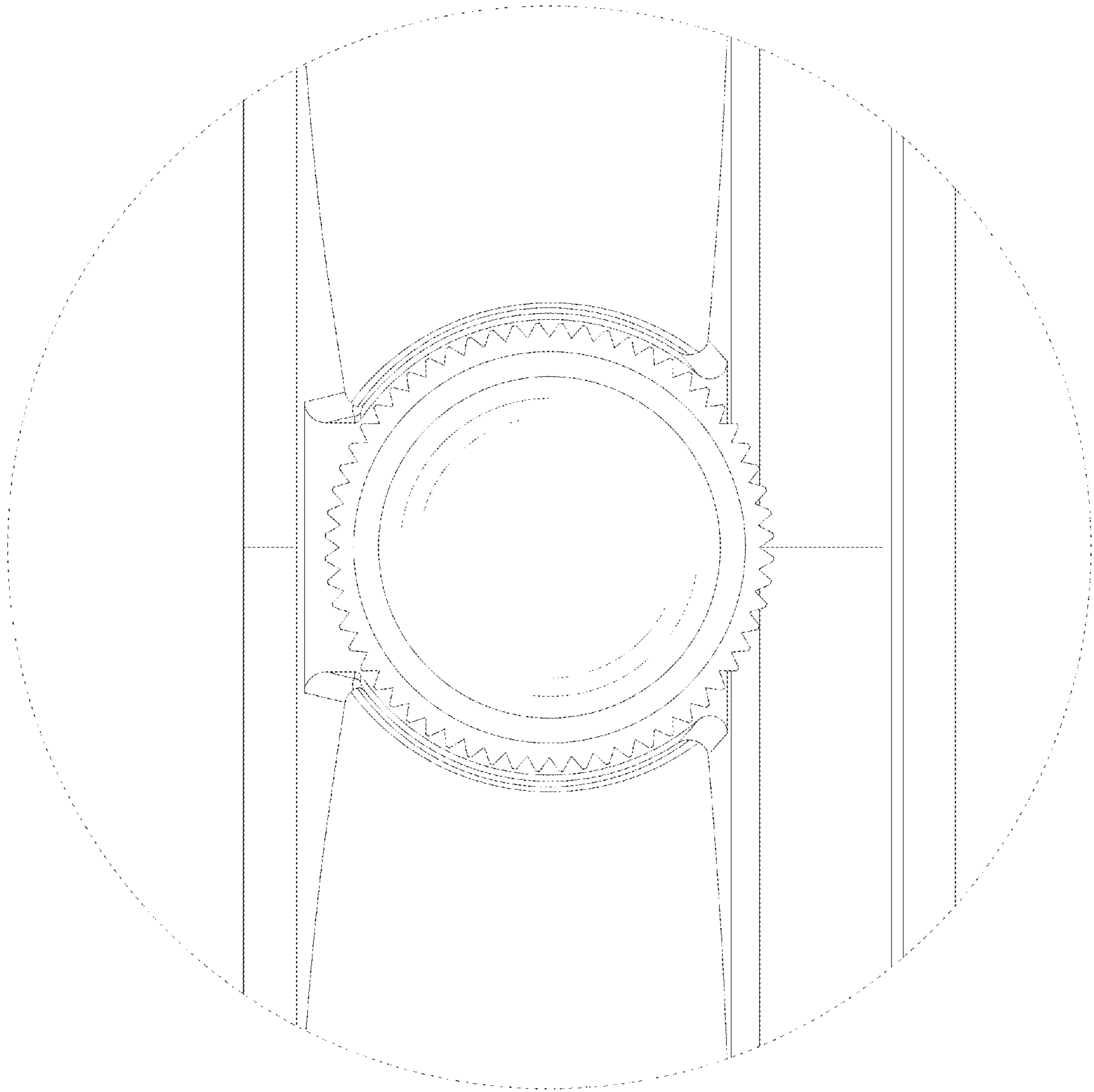


FIG. 13