



US00D962230S

(12) **United States Design Patent** (10) **Patent No.:** **US D962,230 S**
Gao (45) **Date of Patent:** **** Aug. 30, 2022**

(54) **SMART WATCH**

(71) Applicant: **Xinyan Wu**, Henan (CN)

(72) Inventor: **Jinfeng Gao**, Hubei (CN)

(73) Assignee: **Xinyan Wu**, Wuyang County (CN)

(**) Term: **15 Years**

(21) Appl. No.: **29/753,791**

(22) Filed: **Oct. 1, 2020**

(30) **Foreign Application Priority Data**

Sep. 24, 2020 (CN) 202030571804.3

(51) **LOC (13) Cl.** **14-02**

(52) **U.S. Cl.**
USPC **D14/344**

(58) **Field of Classification Search**

USPC D10/30-39, 70, 98, 1-2, 5, 10, 14-15,
D10/21, 30-41; D11/3, 4, 5, 8, 26,
D11/93-94, 78.1, 79, 86, 99; D5/56,
D5/59-60, 99; D24/167, 186-190, 164,
D24/169; D14/138 R, 144, 341, 344,
D14/358, 388, 218

CPC A41D 1/002; A41D 19/0034; G04G 17/00;
G04G 17/02; G04G 17/08; G04G 17/083;
G04G 17/086; G04G 17/005; G04G
13/028; G04G 11/00; G04G 9/00; G04C
3/00; G04C 3/001; G04C 3/002; G04C
3/004; G04C 3/005; G04C 3/007; G04C
23/02; G04C 23/04; G04C 17/00; G04B
3/04; G04B 19/24; G04B 19/26; G04B
37/00; G04B 45/0069; G04B 47/04;
G04B 37/0008; G04B 37/0058; G04B
37/12; G04B 37/18; G04B 45/00; G04B
47/00; G04B 47/042; G04B 47/06; G04B
47/063; G04B 19/00; G04B 19/04; G04F
7/06; G04F 7/062; G04F 7/065; G04F
7/067; G04F 8/00; G04F 8/006; A44C
5/00; A44C 5/0007; A44C 5/0053; A44C
5/10; A44C 5/14

See application file for complete search history.

(56) **References Cited**

U.S. PATENT DOCUMENTS

D802,587 S 11/2017 Lee et al.
D837,206 S 1/2019 Guan et al.

(Continued)

OTHER PUBLICATIONS

2021 New 1.4 inch Smartwatch IOS Android IP67 , alibaba.com,
[online]. [site visited May 21, 2021], Available from internet URL:
[https://yawell.en.alibaba.com/product/1600203969207-824837428/
2021_New_1_4_inch_Smartwatch_IOS_Android_IP67_Waterproof_
Smart_Watches_For_Men_Women](https://yawell.en.alibaba.com/product/1600203969207-824837428/2021_New_1_4_inch_Smartwatch_IOS_Android_IP67_Waterproof_Smart_Watches_For_Men_Women) (Year: 2021).*

(Continued)

Primary Examiner — Samantha Q Lawrence

Assistant Examiner — Holly M Rodriguez

(74) *Attorney, Agent, or Firm* — Dragon Sun Law Firm,
P.C.; Jiaggao Li, Esq.; Nathaniel Perkins

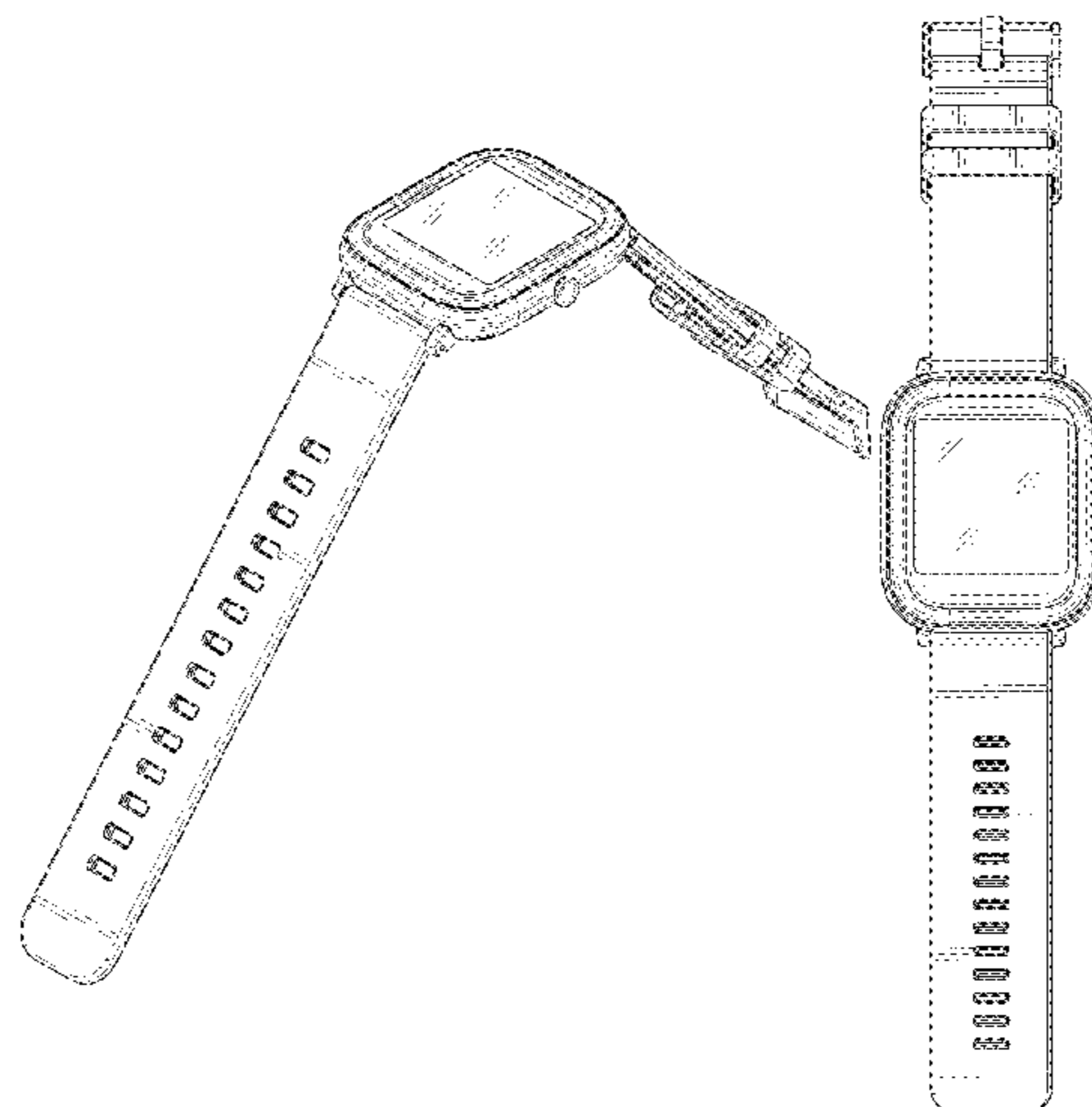
(57) **CLAIM**

The ornamental design for a smart watch, as shown and described.

DESCRIPTION

FIG. 1 is a perspective view of a smart watch showing my new design;
FIG. 2 is a front view thereof;
FIG. 3 is a back view thereof;
FIG. 4 is a right view thereof;
FIG. 5 is a left view thereof;
FIG. 6 is a top view thereof; and,
FIG. 7 is a bottom view thereof;
The broken lines shown on the drawings depict portions of the smart watch that form no part of the claimed design.

1 Claim, 7 Drawing Sheets



(56)

References Cited

U.S. PATENT DOCUMENTS

D839,753 S	2/2019	Domke et al.	
D855,813 S	8/2019	Hu	
D866,350 S *	11/2019	Park	D10/38
D869,462 S	12/2019	Ke	
D876,244 S *	2/2020	Park	D10/32
D889,459 S *	7/2020	Zhang	D14/344
D901,493 S *	11/2020	Gao	D14/344
D909,369 S *	2/2021	Wu	D14/344
D912,665 S *	3/2021	Zhang	D14/344

OTHER PUBLICATIONS

Pebble Pace Smart Watch, first available Sep. 28, 2020, amazon.in, [online], [site visited May 17, 2021], Available from internet URL: https://www.amazon.in/Pebble-Dynamic-Multiple-oximeter-Monitoring/dp/B08KFC8SYQ/ref=pd_sbs_17?pd_rd_w=iKPIF&pf_rd_p=615bd5a5-1a50-4e%E2%80%A6 (Year: 2020).*

Sanlepus Sport Smartwatch Android iOS Apple Xiaomi, wristwatches-store.com, [online], [site visited May 18, 2021], Available from internet URL: <https://www.wristwatchesstore.com/product/sanlepus-smart-watch-sport/> (Year: 2021).*

Senbono P18 Smartwatch, first available Nov. 24, 2020, aliexpress.com, [online], [site visited May 18, 2021], Available from internet URL: <https://www.aliexpress.com/item/1005001608391588.html> (Year: 2020).*

* cited by examiner

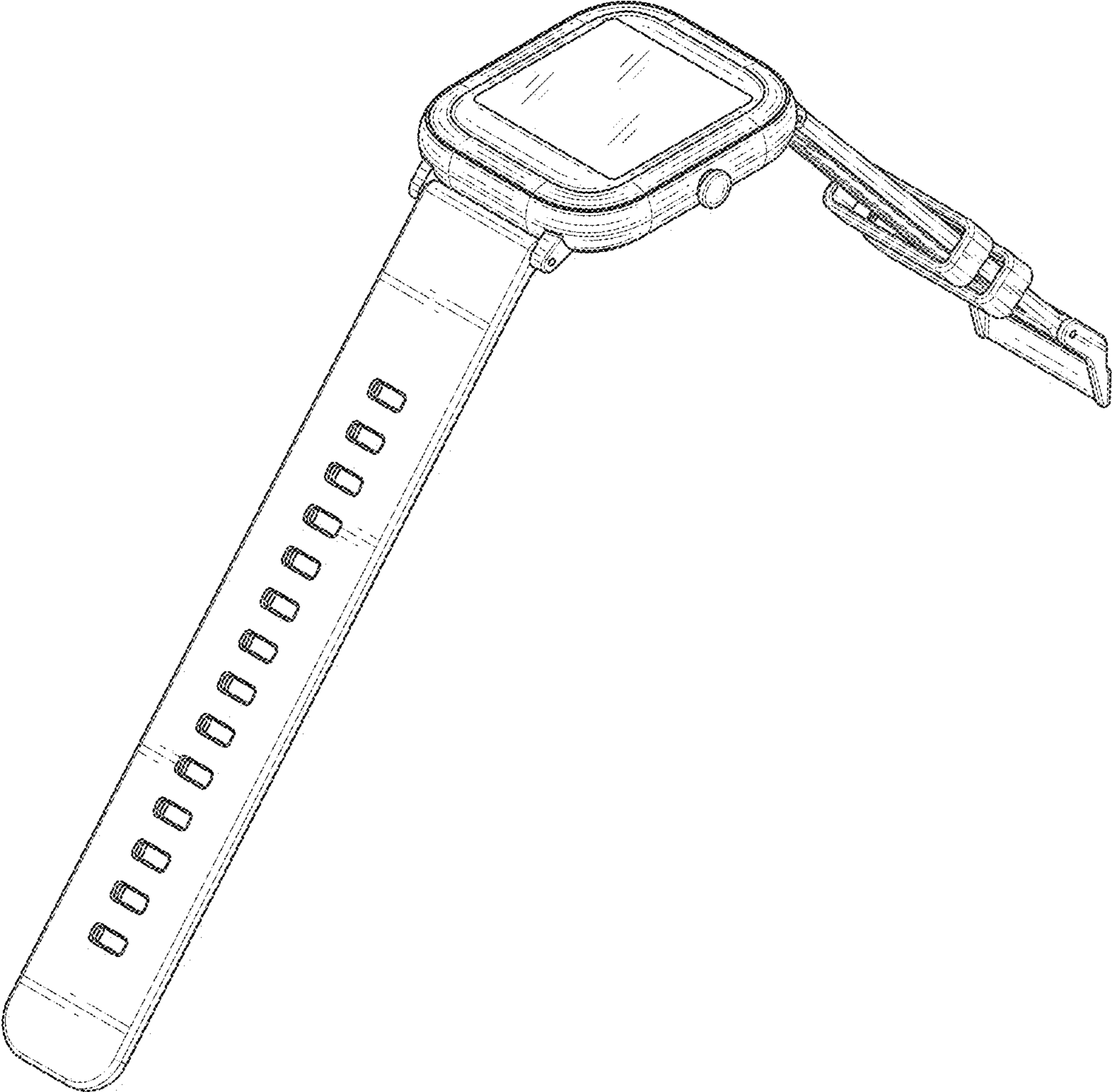


FIG. 1

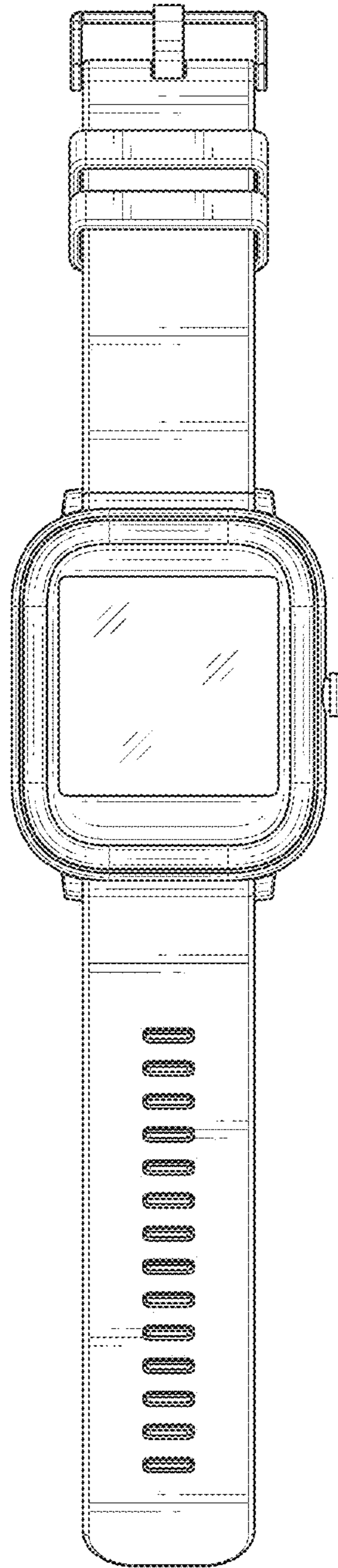


FIG. 2

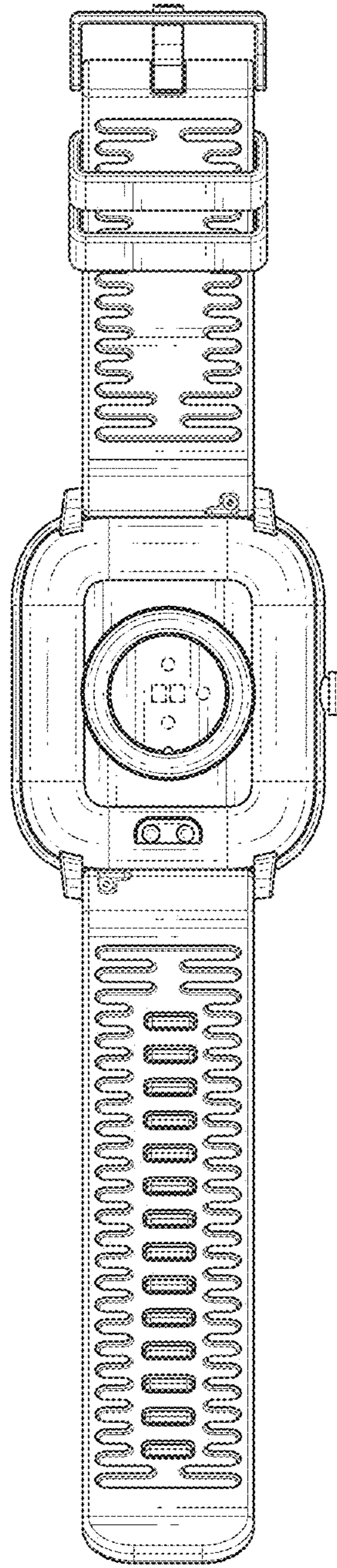


FIG. 3

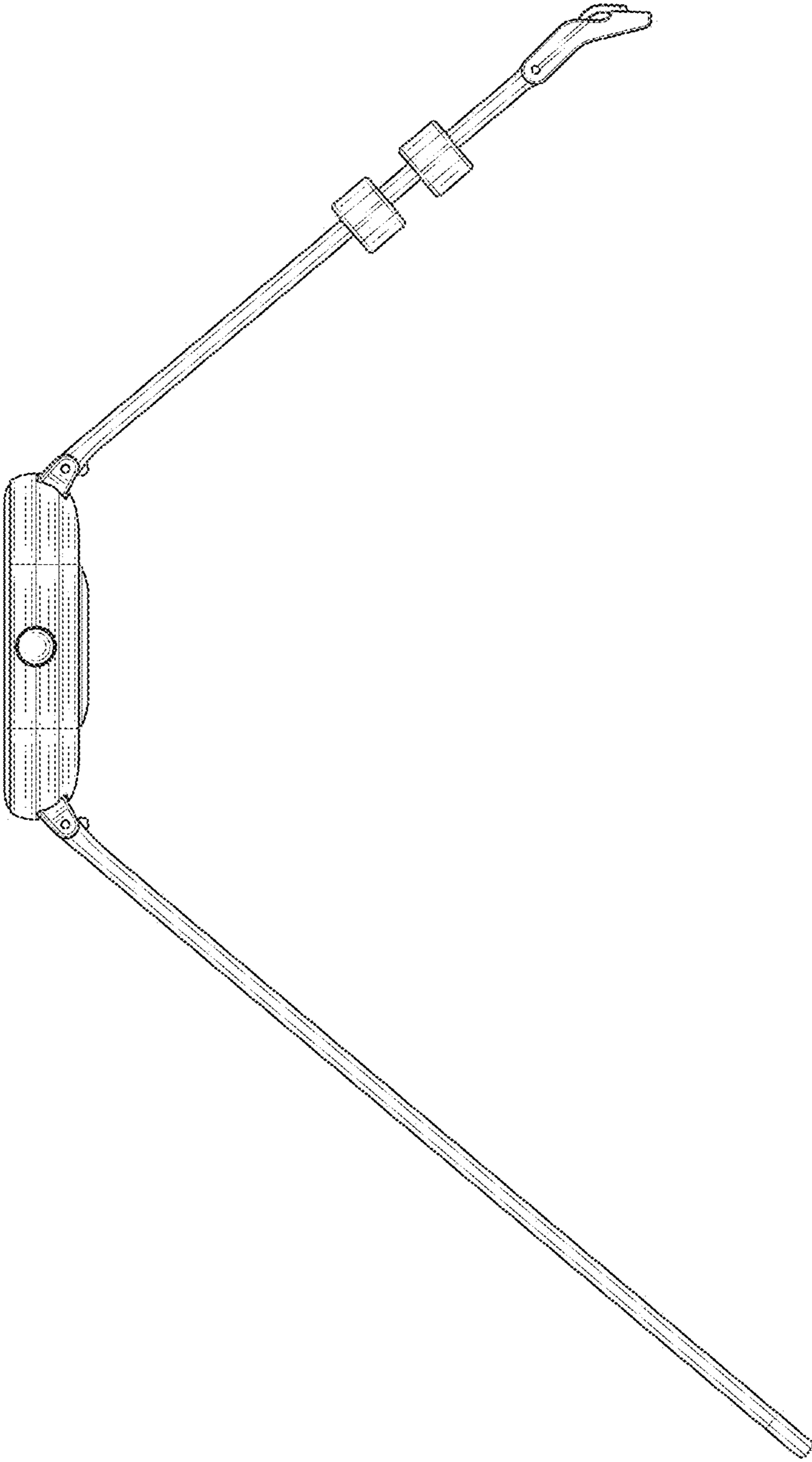


FIG. 4

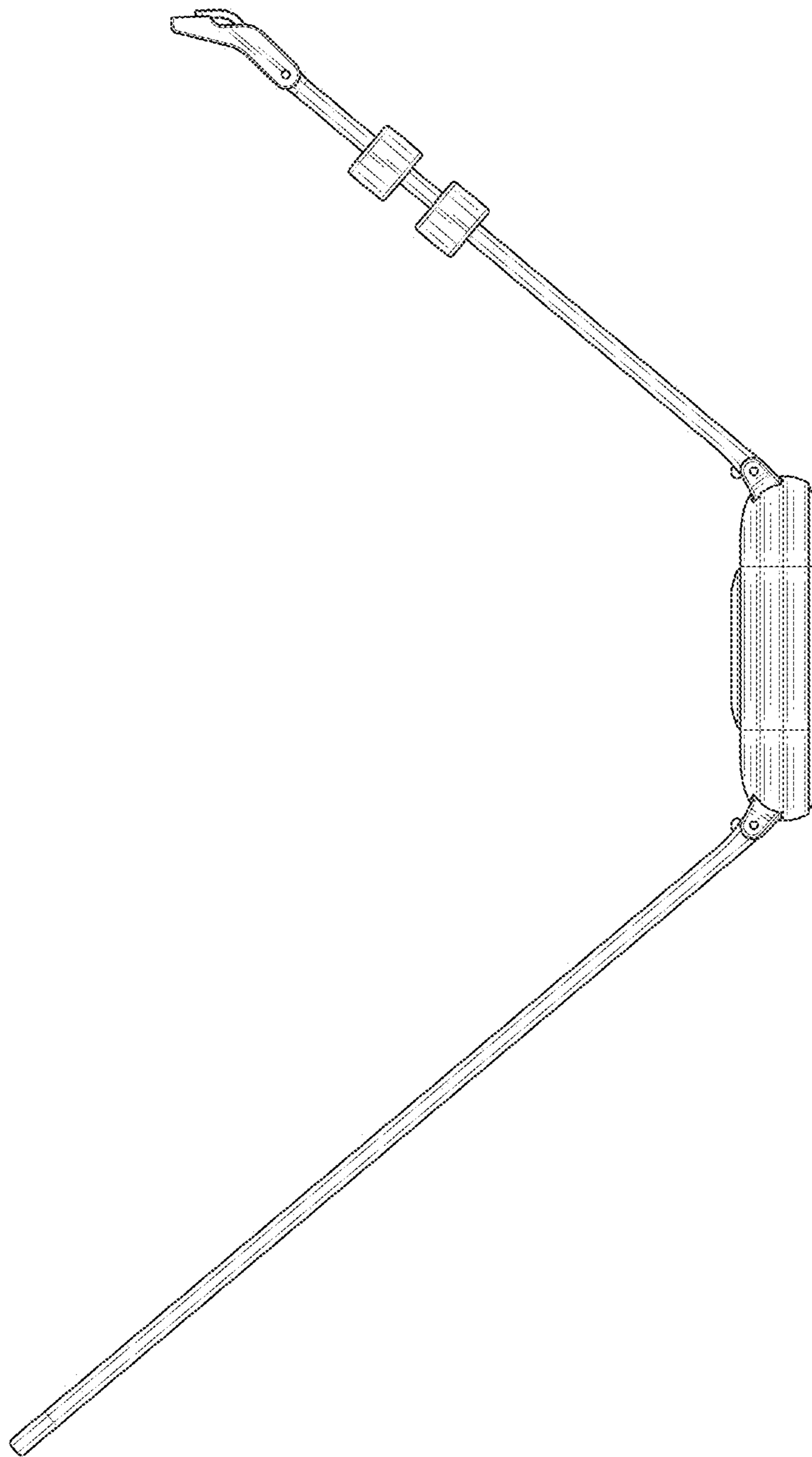


FIG. 5

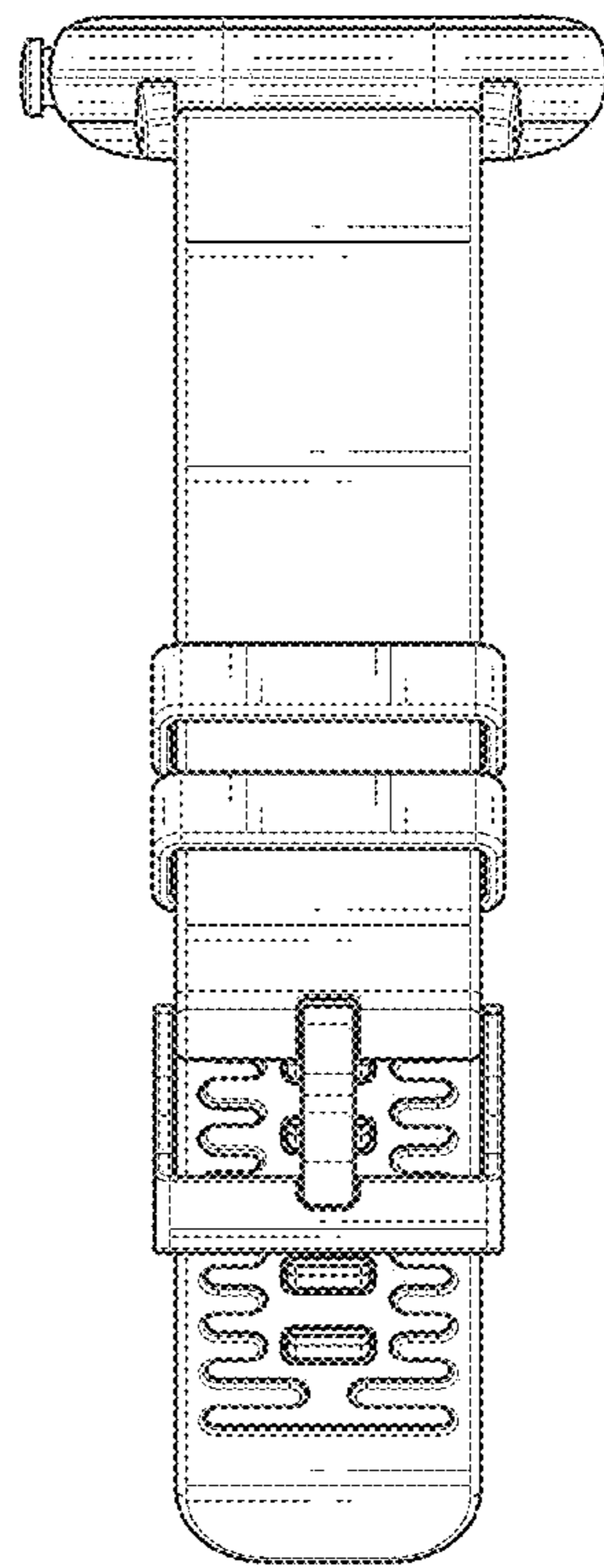


FIG. 6

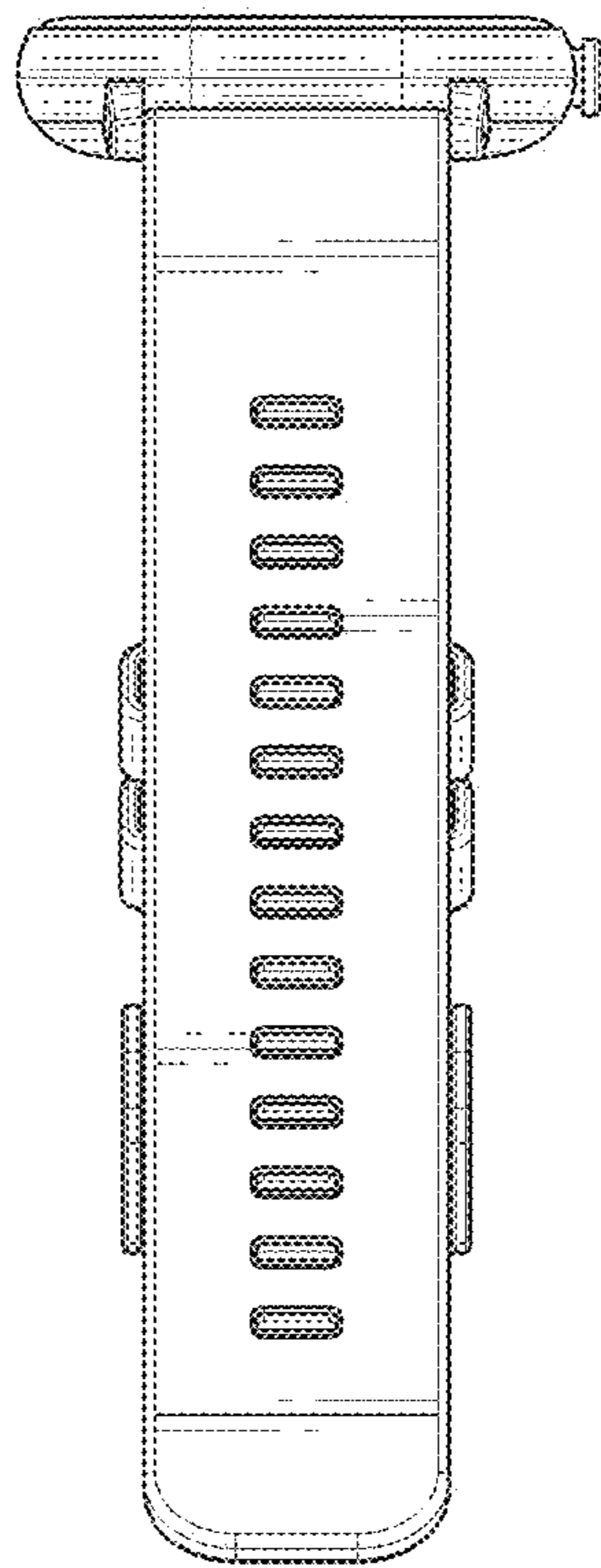


FIG. 7