



US00D962229S

(12) **United States Design Patent**
He et al.

(10) **Patent No.:** **US D962,229 S**

(45) **Date of Patent:** **** Aug. 30, 2022**

(54) **SMARTWATCH**

(71) Applicant: **Shenzhen Do Intelligent Technology Co., Ltd.**, Guangdong (CN)

(72) Inventors: **An He**, Guangdong (CN); **Kexin Tong**, Guangdong (CN)

(73) Assignee: **Shenzhen Do Intelligent Technology Co., Ltd.**, Shenzhen (CN)

(**) Term: **15 Years**

(21) Appl. No.: **29/752,229**

(22) Filed: **Sep. 25, 2020**

(30) **Foreign Application Priority Data**

Jun. 29, 2020 (CN) 202030340608.5

(51) **LOC (13) Cl.** **14-02**

(52) **U.S. Cl.**
USPC **D14/344; D10/38**

(58) **Field of Classification Search**
USPC ... D14/138 R, 144, 341, 344, 346, 388, 389, D14/390, 496; D10/30-32, 38, 70; D24/167, 186, 187
CPC G04G 17/00; G04G 17/045; G04G 17/08; G04G 17/083; G04G 21/00; G04G 21/02; G04G 21/025; G04G 21/06; G04G 21/08; G04G 99/006; G04G 99/163; G06F 1/163; A44C 5/0007; A44C 5/0015; A44C 5/0046; A44C 5/0053; A44C 5/2052; A44C 5/2071

See application file for complete search history.

(56) **References Cited**

U.S. PATENT DOCUMENTS

D751,549 S * 3/2016 Park D14/344
D809,144 S * 1/2018 Wu D10/70
D810,734 S * 2/2018 Rochat D14/344

D833,625 S * 11/2018 Guan D14/344
D851,641 S * 6/2019 Zhang D14/344
D861,677 S * 10/2019 Wu D14/344
D862,461 S * 10/2019 Zhang D14/344
D868,063 S * 11/2019 Mao D14/344
D868,781 S * 12/2019 Mao D14/344

(Continued)

OTHER PUBLICATIONS

Ashba I5 Plus Smart Bracelet Bluetooth 4.0, www.amazon.com, Jan. 1, 2016. <https://www.amazon.com/Bracelet-Bluetooth-Waterproof-Fitness-Wristband/dp/B01A21JE08?th=1> (Year: 2016).*

(Continued)

Primary Examiner — Llorelys Martinez

Assistant Examiner — Kwabena A. Ankobiah

(74) *Attorney, Agent, or Firm* — Hovey Williams LLP

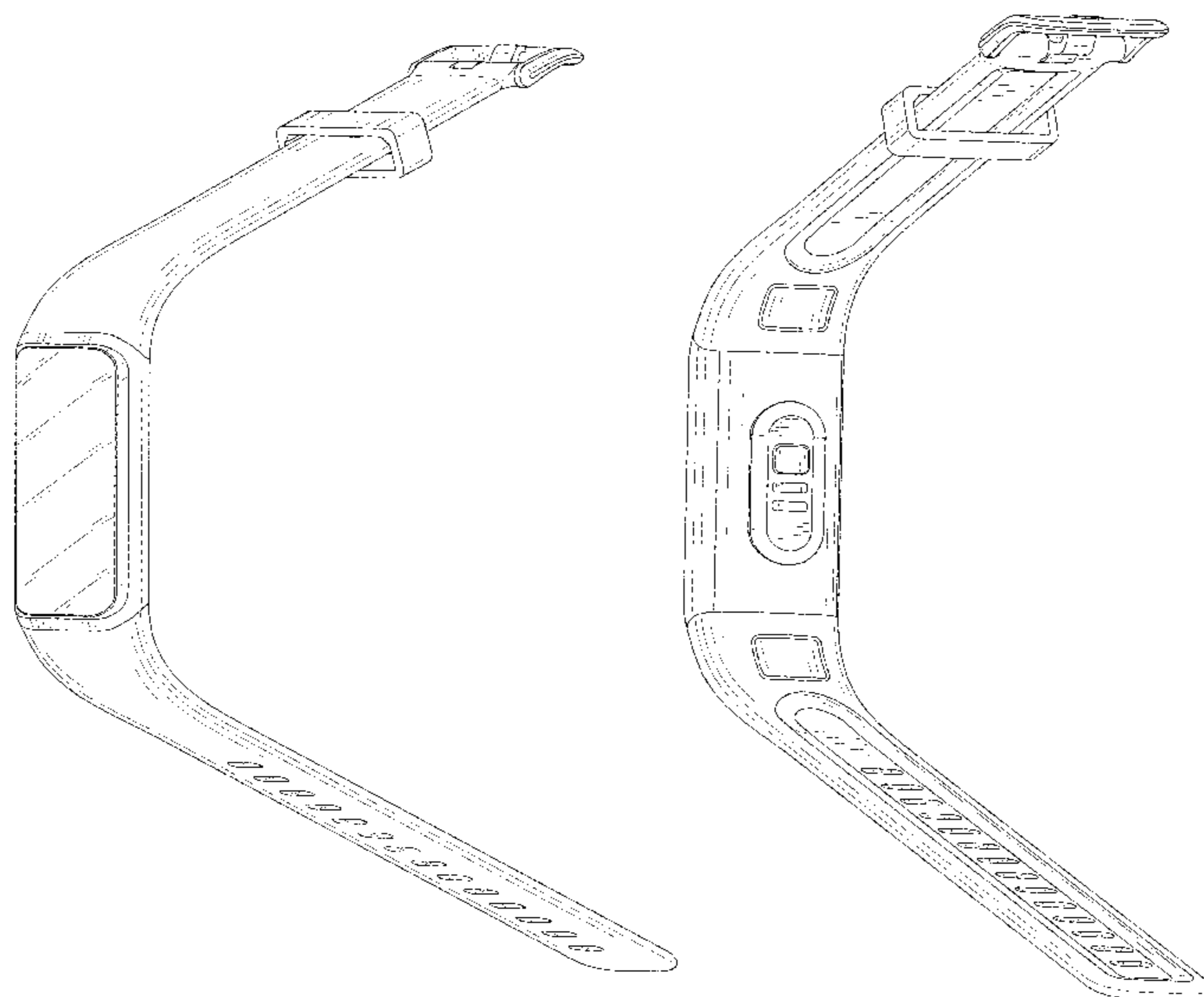
(57) **CLAIM**

The ornamental design for a smartwatch, as shown and described.

DESCRIPTION

FIG. 1 is a front, right side perspective view of a smartwatch embodying our design;
FIG. 2 is a rear, right side perspective view of the smartwatch shown in FIG. 1;
FIG. 3 is a front elevational view of the smartwatch shown in FIGS. 1 and 2;
FIG. 4 is a rear elevational view of the smartwatch shown in FIGS. 1-3;
FIG. 5 is a left side elevational view of the smartwatch shown in FIGS. 1-4;
FIG. 6 is a right side elevational view of the smartwatch shown in FIGS. 1-5;
FIG. 7 is a top plan view of the smartwatch shown in FIGS. 1-6; and,
FIG. 8 is a bottom plan view of the smartwatch shown in FIGS. 1-7.

1 Claim, 8 Drawing Sheets



(56)

References Cited

U.S. PATENT DOCUMENTS

D884,695 S	*	5/2020	Jones	D14/344
D887,560 S	*	6/2020	McConnell	D24/186
D903,663 S	*	12/2020	Jones	D14/344
D905,688 S	*	12/2020	Barberis	D14/344
D917,471 S	*	4/2021	Yan	D14/344
D918,899 S	*	5/2021	Zhu	D14/344
D920,327 S	*	5/2021	Wu	D14/344

OTHER PUBLICATIONS

Fitbit Charge 2 Heart Rate + Fitness Wristband, www.amazon.com, Aug. 29, 2016. <https://www.amazon.com/Fitbit-Charge-Fitness-Wristband-Version/dp/B01K9S2A96?th=1> (Year: 2016).*

Fitbit Charge 4 Fitness and Activity Tracker, www.amazon.com, Mar. 31, 2020. <https://www.amazon.com/Fitbit-Fitness-Activity-Tracking-Included/dp/B084CQ41M2> (Year: 2020).*

Fitness Tracker with Blood Pressure Heart Rate Sleep Monitor Temperature Monitor,, www.amazon.com, Jul. 13, 2020. <https://www.amazon.com/Fitness-Pressure-Temperature-Activity-Pedometer/dp/B08CTS3N11?th=1> (Year: 2020).*

* cited by examiner

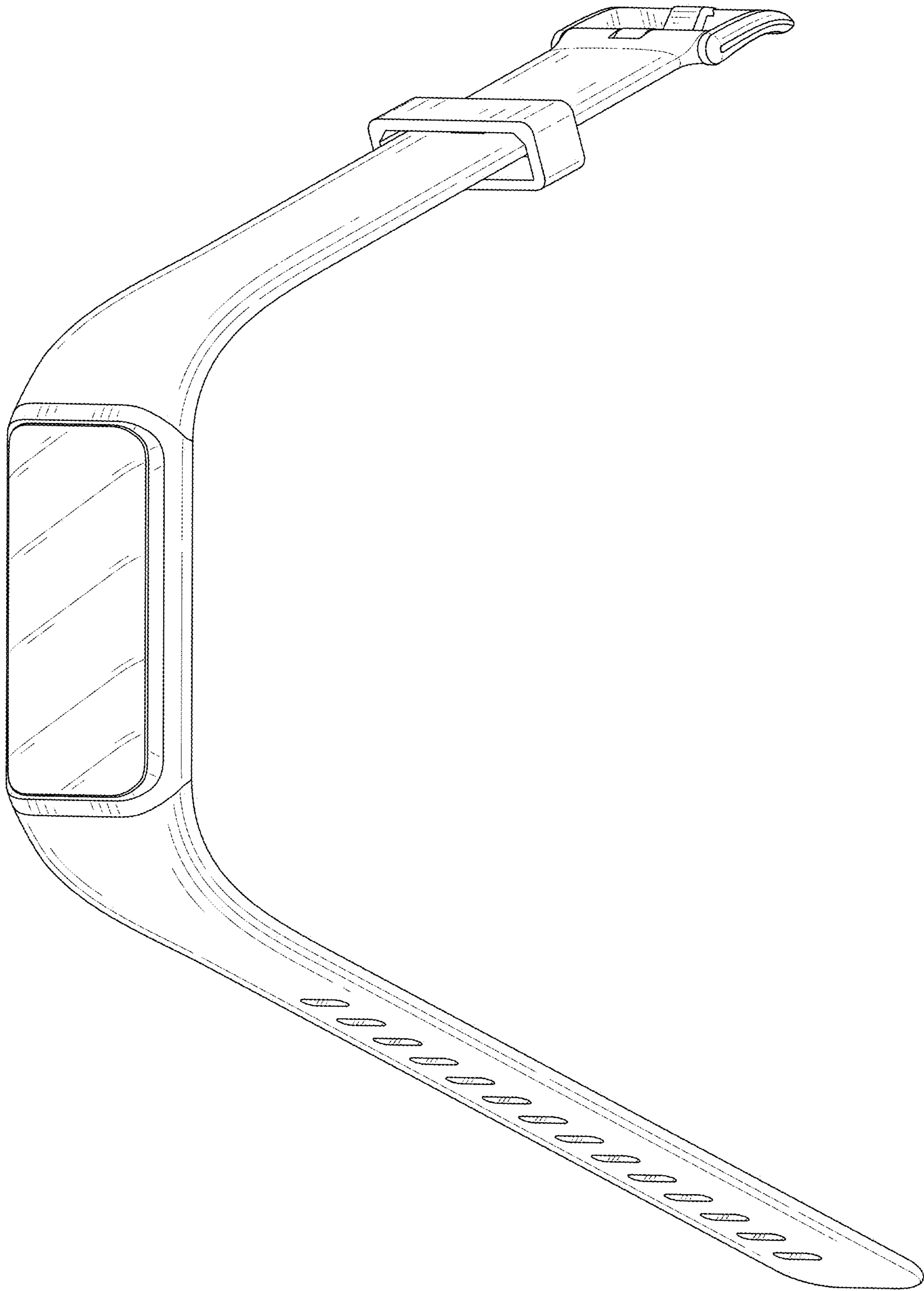


FIG. 1

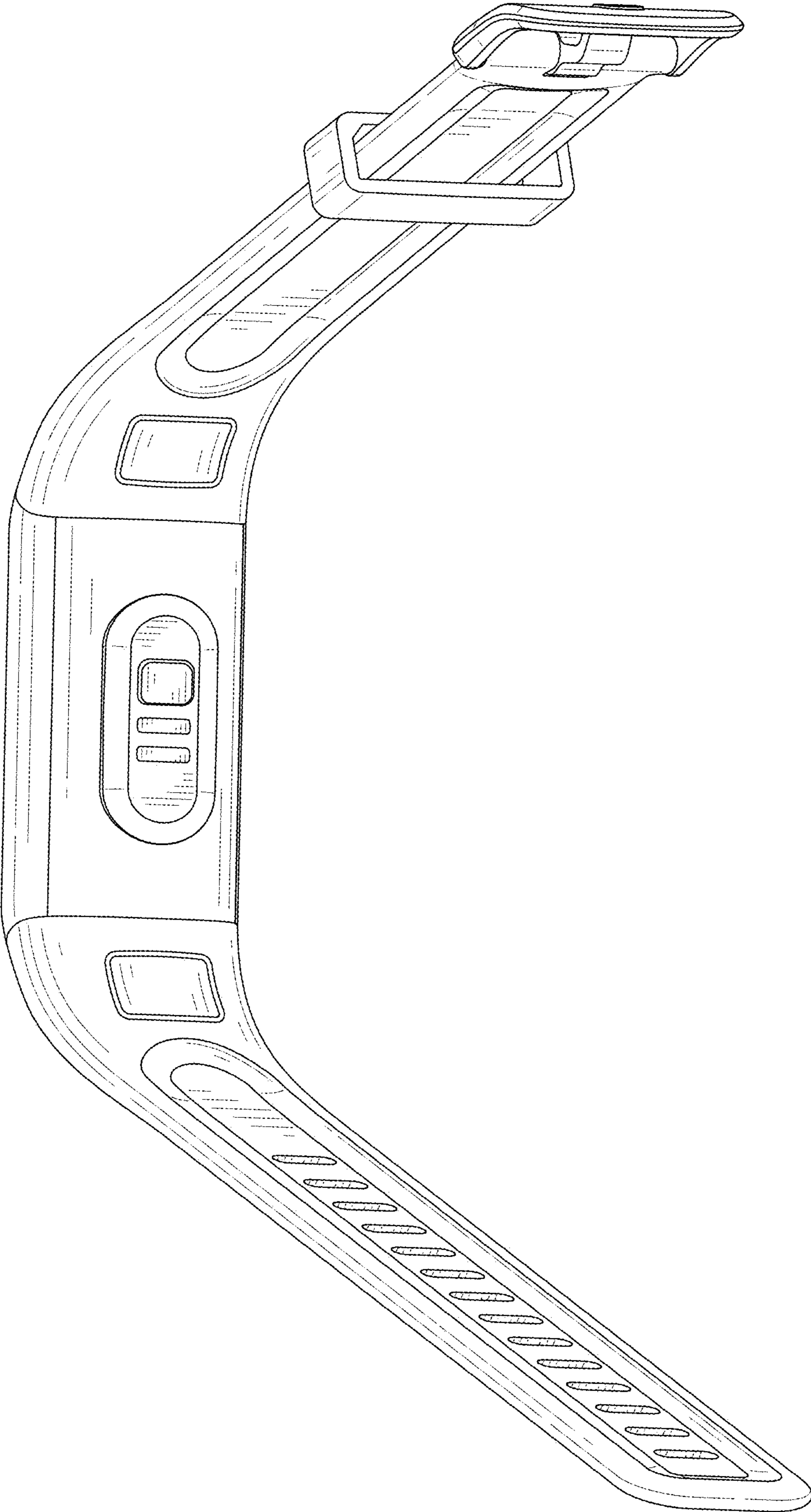


FIG. 2

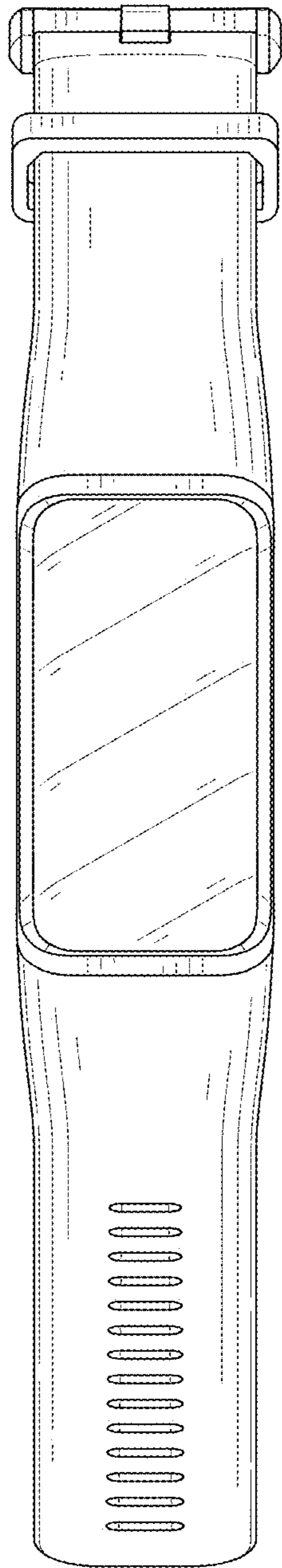


FIG. 3

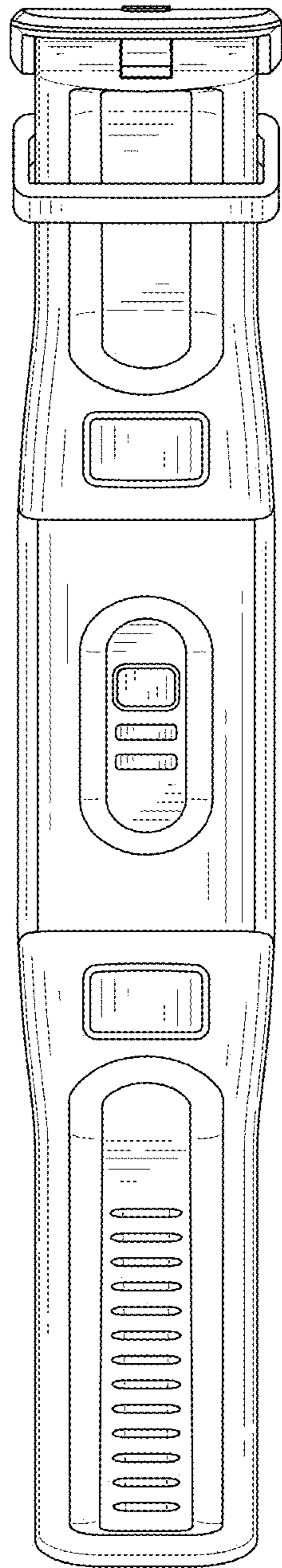


FIG. 4

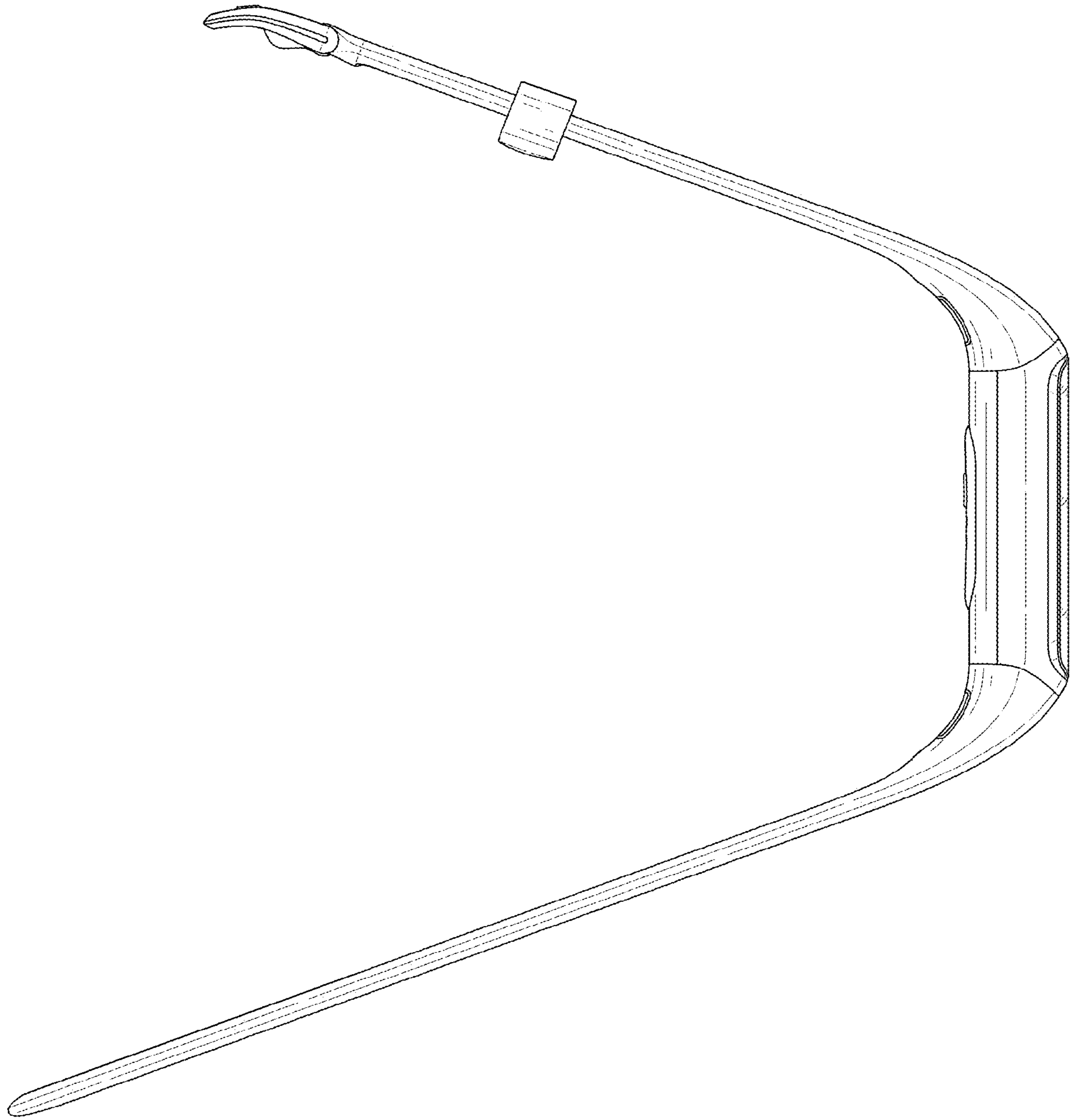


FIG. 5

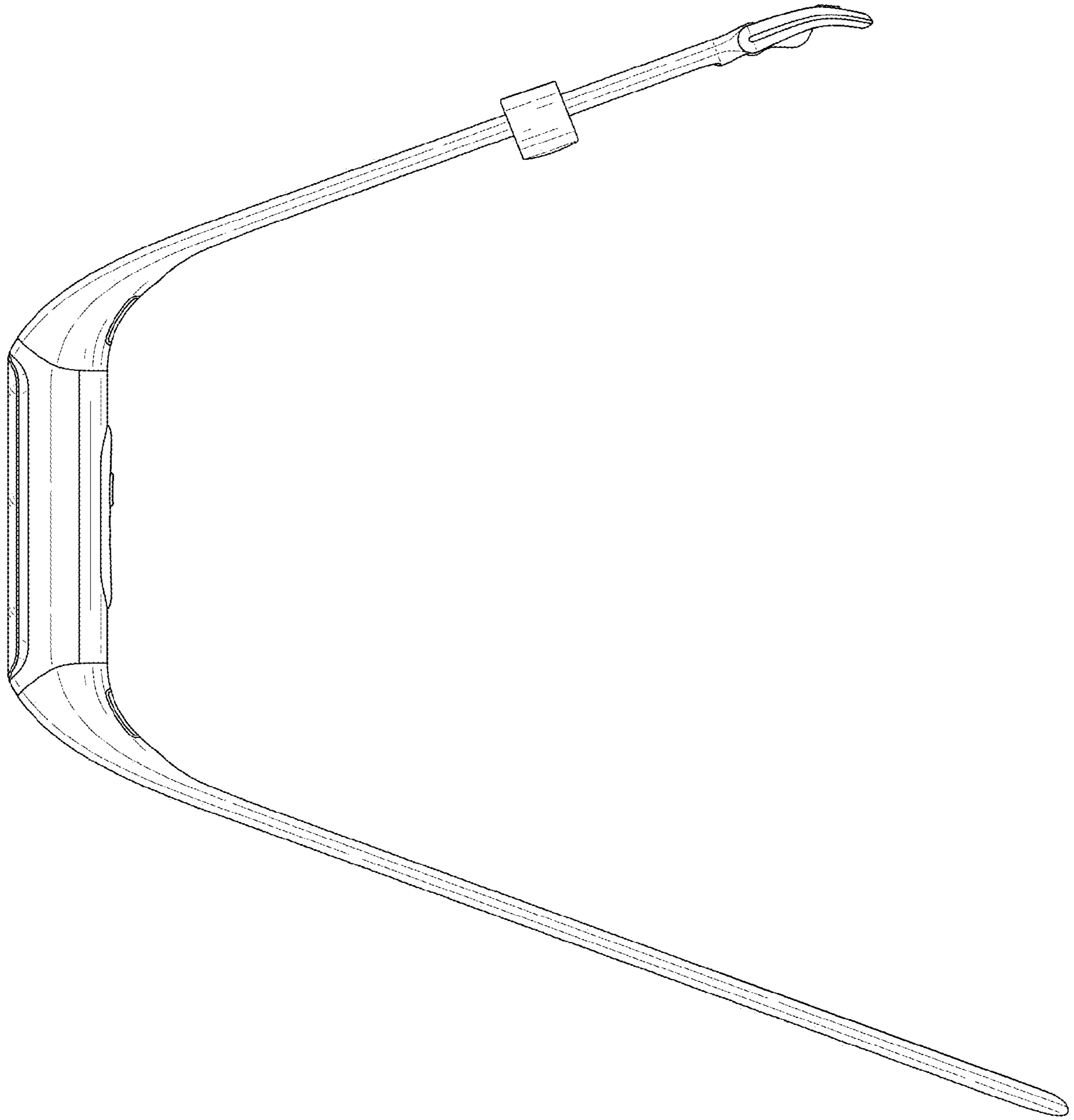


FIG. 6

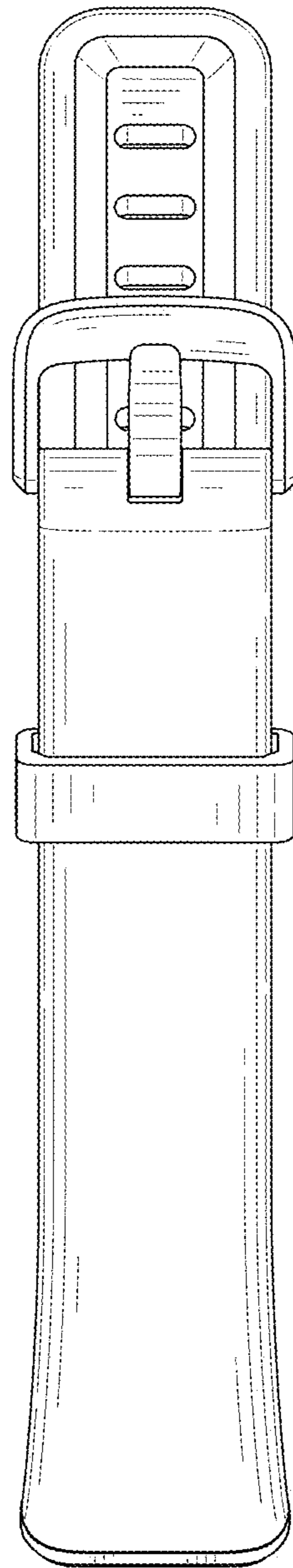


FIG. 7

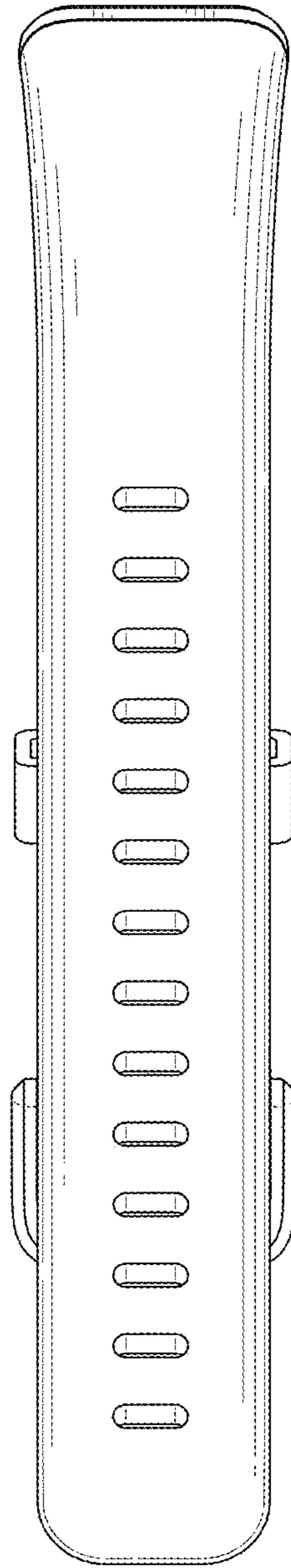


FIG. 8