

US00D962224S

(12) **United States Design Patent** (10) **Patent No.:** **US D962,224 S**
Tsao (45) **Date of Patent:** **** Aug. 30, 2022**

(54) **NOTEBOOK COMPUTER EQUIPPED WITH FOOT PADS**

(71) Applicant: **Acer Incorporated**, New Taipei (TW)

(72) Inventor: **Jung-Wei Tsao**, New Taipei (TW)

(73) Assignee: **Acer Incorporated**, New Taipei (TW)

(**) Term: **15 Years**

(21) Appl. No.: **29/773,258**

(22) Filed: **Mar. 8, 2021**

(30) **Foreign Application Priority Data**

Oct. 26, 2020 (TW) 109305901

(51) **LOC (13) Cl.** **14-02**

(52) **U.S. Cl.**
USPC **D14/324; D14/328; D14/447**

(58) **Field of Classification Search**
USPC D14/300-301, 305-307, 314-328, 331,
D14/333-336, 338-340, 356, 371,
(Continued)

(56) **References Cited**

U.S. PATENT DOCUMENTS

D668,653 S * 10/2012 Chiu D14/371
D693,350 S * 11/2013 Mish D14/440
(Continued)

FOREIGN PATENT DOCUMENTS

EP 3193233 A1 * 7/2017 A45C 11/00
JP D1444361 6/2012
WO WO-2016032529 A1 * 3/2016 A45C 11/00

OTHER PUBLICATIONS

Zelmine Computer Keyboard/Calculator Laptop Stand, posted at Amazon, posting date Jul. 24, 2020. Site visited Apr. 22, 2022. URL: <<https://www.amazon.com/dp/B08DKW7CG6/?th=1>> (Year: 2020).*

(Continued)

Primary Examiner — Kathleen L Jones
(74) *Attorney, Agent, or Firm* — JCIPRNET

(57) **CLAIM**

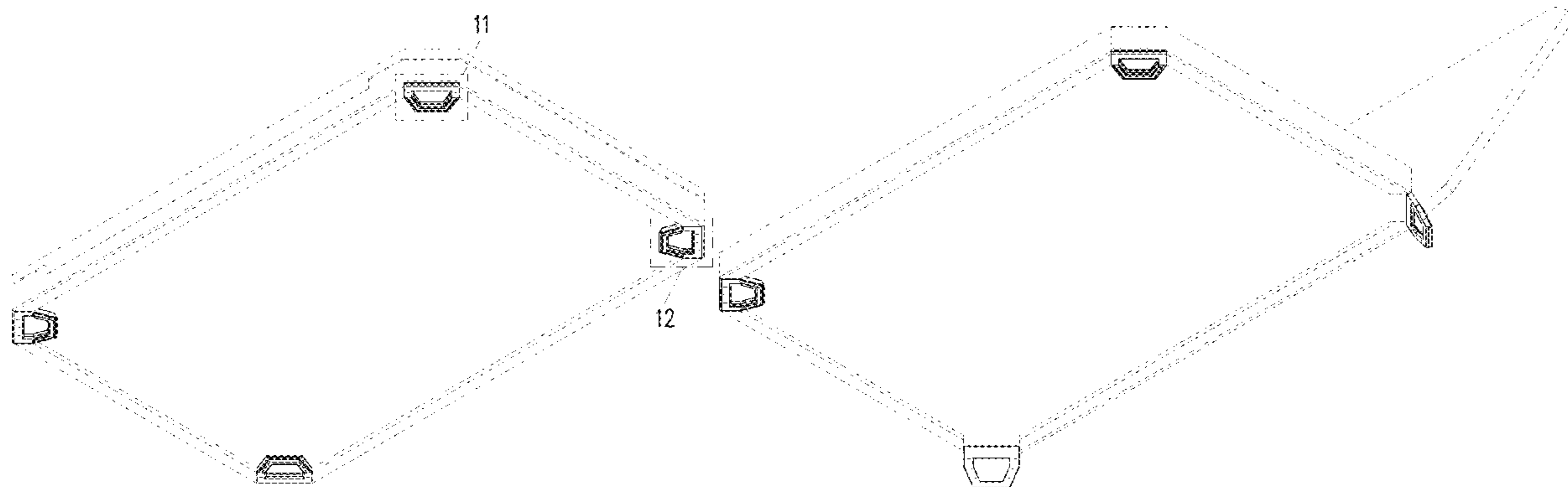
The ornamental design for a notebook computer equipped with foot pads, as shown and described.

DESCRIPTION

FIG. 1 is a perspective view of a notebook computer equipped with foot pads showing my new design; FIG. 2 is a front view thereof; FIG. 3 is a rear view thereof; FIG. 4 is a left side view thereof; FIG. 5 is a right side view thereof; FIG. 6 is a top view thereof; FIG. 7 is a bottom view thereof; FIG. 8 is a perspective view thereof showing the notebook computer in an open status; FIG. 9 is a perspective view thereof showing the notebook computer in an open status with the rear two foot pads in an opened position; FIG. 10 is a perspective view thereof showing the notebook computer in a closed status and the rear two foot pads in a second opened position within an alternative broken line environment showing a carrying strap; FIG. 11 is an enlarged view of the portion, labeled '11' of FIG. 1; FIG. 12 is an enlarged view of the portion, labeled '12' of FIG. 1; FIG. 13 is an enlarged view of the portion, labeled '13' of FIG. 2; FIG. 14 is an enlarged view of the portion, labeled '14' of FIG. 2; FIG. 15 is an enlarged view of the portion, labeled '15' of FIG. 4; and, FIG. 16 is an enlarged view of the portion, labeled '16' of FIG. 4.

The broken lines showing portions of the notebook computer equipped with foot pads form no part of the claimed

(Continued)



design. The broken lines delineating portions of figures shown enlarged in FIGS. 1, 2, 4, and 11-16 form no part of the claimed design.

1 Claim, 10 Drawing Sheets

(58) Field of Classification Search

USPC D14/373-377, 432-433, 439, 441, D14/447-451, 511, 217, 219-221, 299, D14/345, 352, 440, 132, 134, 138 AB, D14/203.4, 203.8, 224, 224.1, 257; D8/373, 380, 394-395; D18/4.5, 12
 CPC G06F 1/16; G06F 1/1681; G06F 1/1601; G06F 1/1607; G06F 1/1613; G06F 1/1616; G06F 1/1628; G06F 1/163; G06F 1/1633; G06F 1/1656; G06F 1/1662; G06F 1/1667; G06F 1/1666; H05K 5/00; H05K 5/0004; H05K 5/0226; H05K 5/023; H05K 5/0234; H05K 5/0239; H05K 5/0243

See application file for complete search history.

(56) References Cited

U.S. PATENT DOCUMENTS

D703,210 S * 4/2014 Gelsomini D14/440
 D721,711 S * 1/2015 Chen D14/447

D723,570 S * 3/2015 Sirichai D14/440
 D743,408 S * 11/2015 Chen D14/447
 D803,222 S * 11/2017 Cheng D14/440
 D875,102 S * 2/2020 Gao D14/440
 D888,050 S * 6/2020 Tosh D14/327
 D898,036 S * 10/2020 Cheng D14/440
 D908,708 S * 1/2021 Miller D14/440
 D920,985 S * 6/2021 Kuo D14/447
 D936,068 S * 11/2021 McCall F16M 11/041
 D939,511 S * 12/2021 Chen D14/439
 D942,440 S * 2/2022 Chapuis D14/447
 D942,445 S * 2/2022 Cheng D14/327
 2004/0134812 A1 * 7/2004 Yeh G06F 1/163
 2011/0261519 A1 * 10/2011 Chiu G06F 1/166
 2020/0192441 A1 * 6/2020 Saravis F16M 11/16
 2021/0026405 A1 * 1/2021 Chen G06F 1/1628

OTHER PUBLICATIONS

Cao, Rongwei, Acer Inc, Chinese Design No. 306760928, published at Orbit, publication date Aug. 17, 2021. Site visited Apr. 22, 2022.

Available from Internet. (Year: 2021).*

* cited by examiner

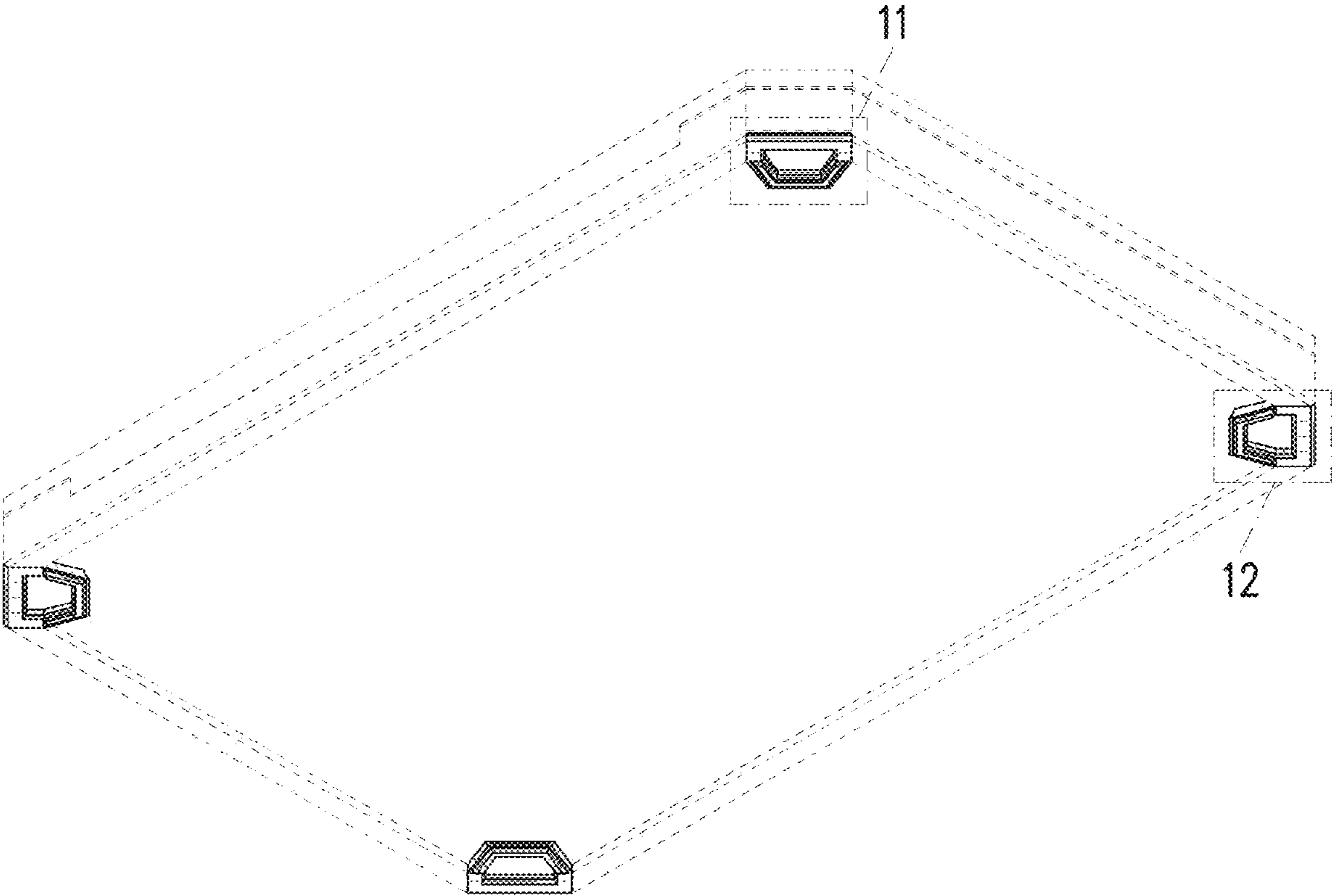


FIG. 1

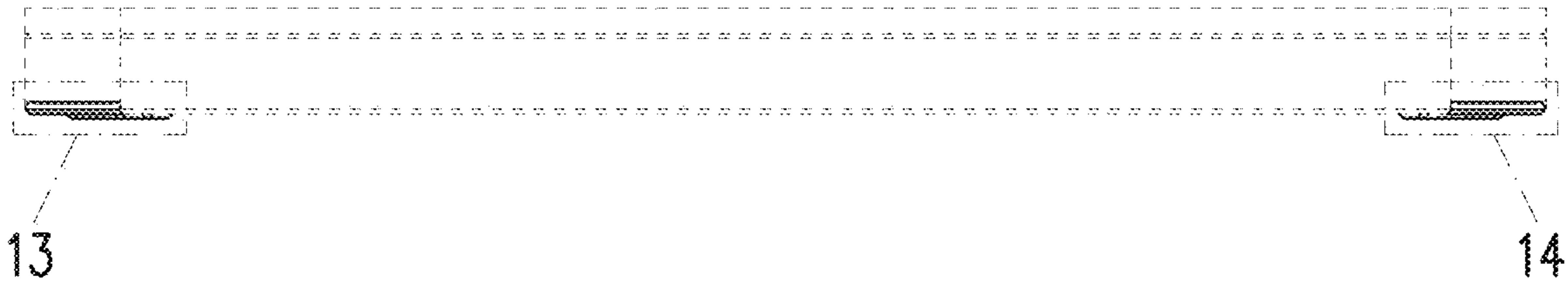


FIG. 2

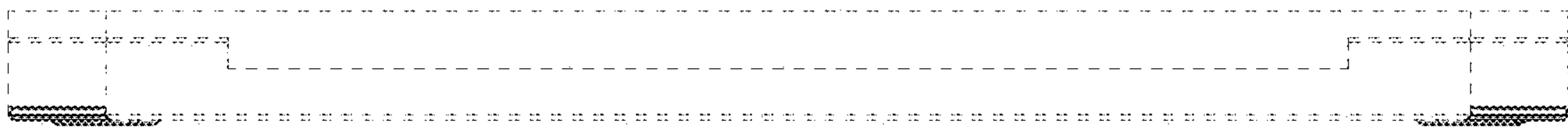


FIG. 3

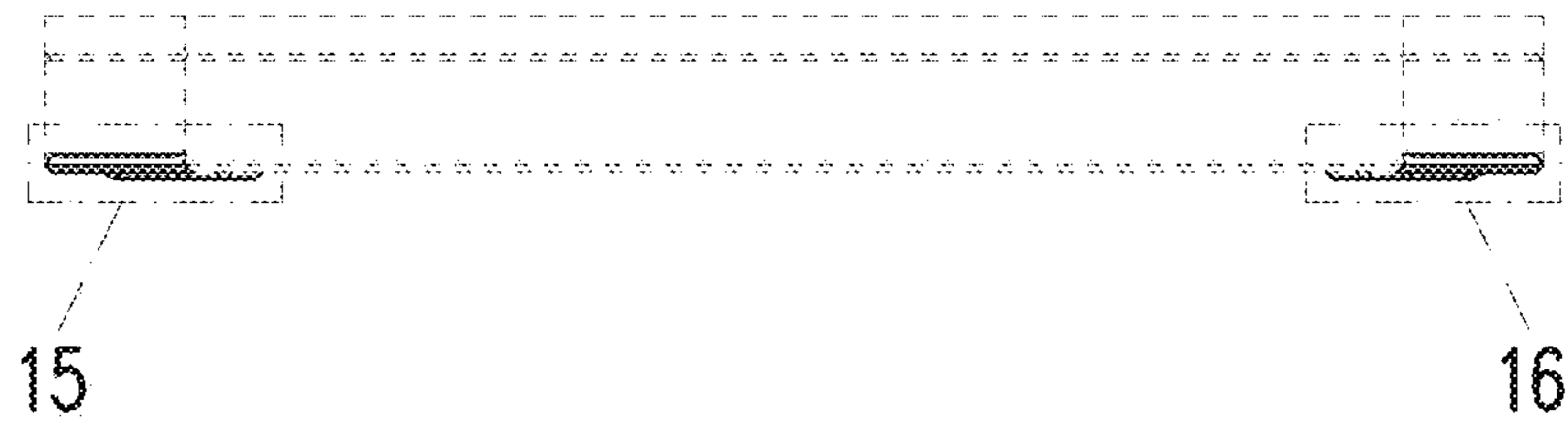


FIG. 4

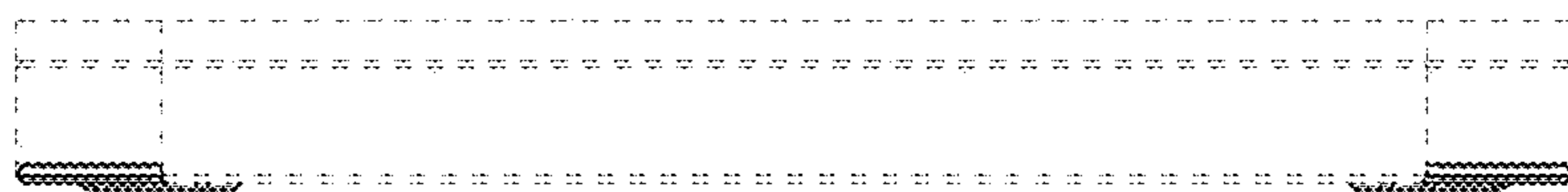


FIG. 5



FIG. 6

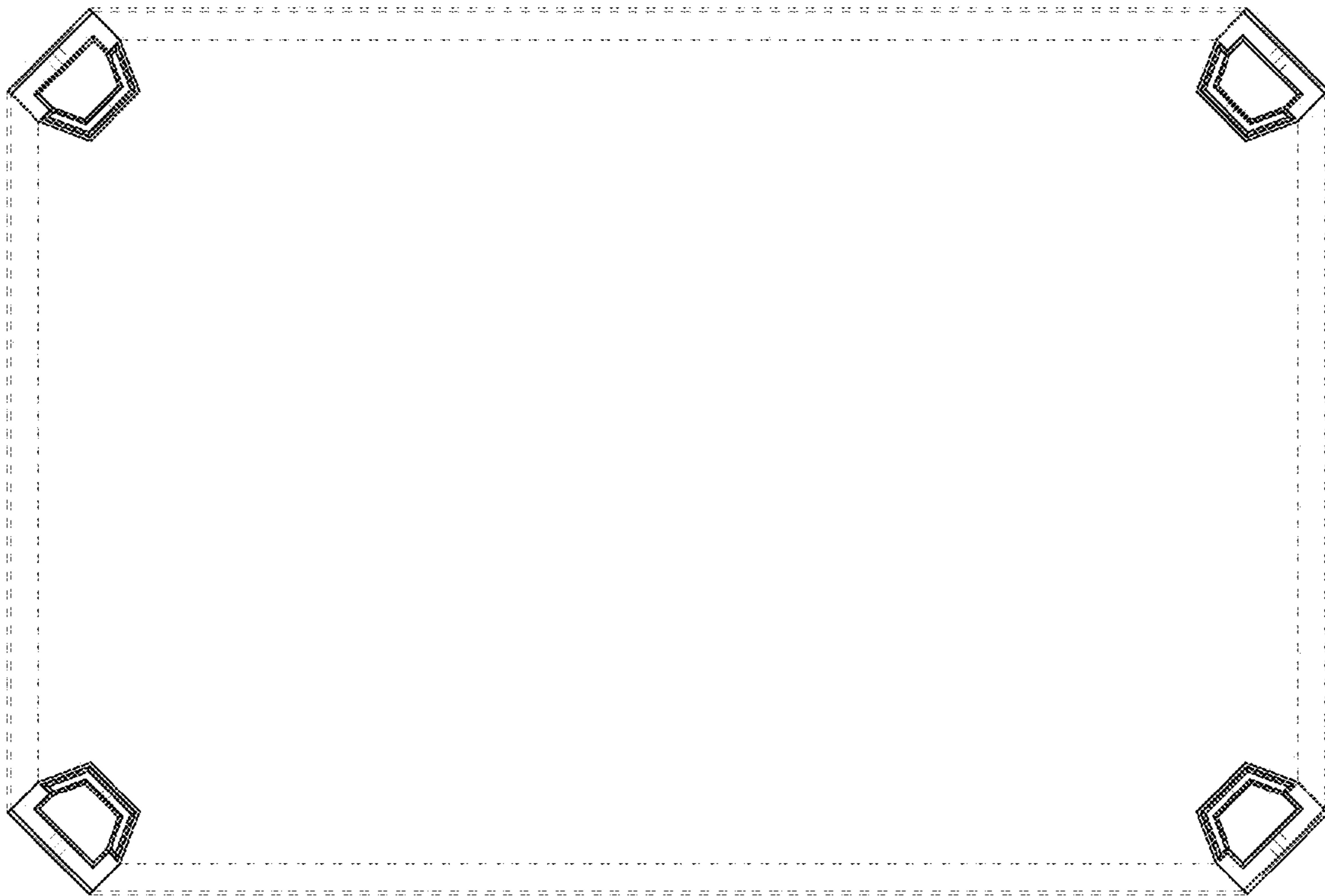


FIG. 7

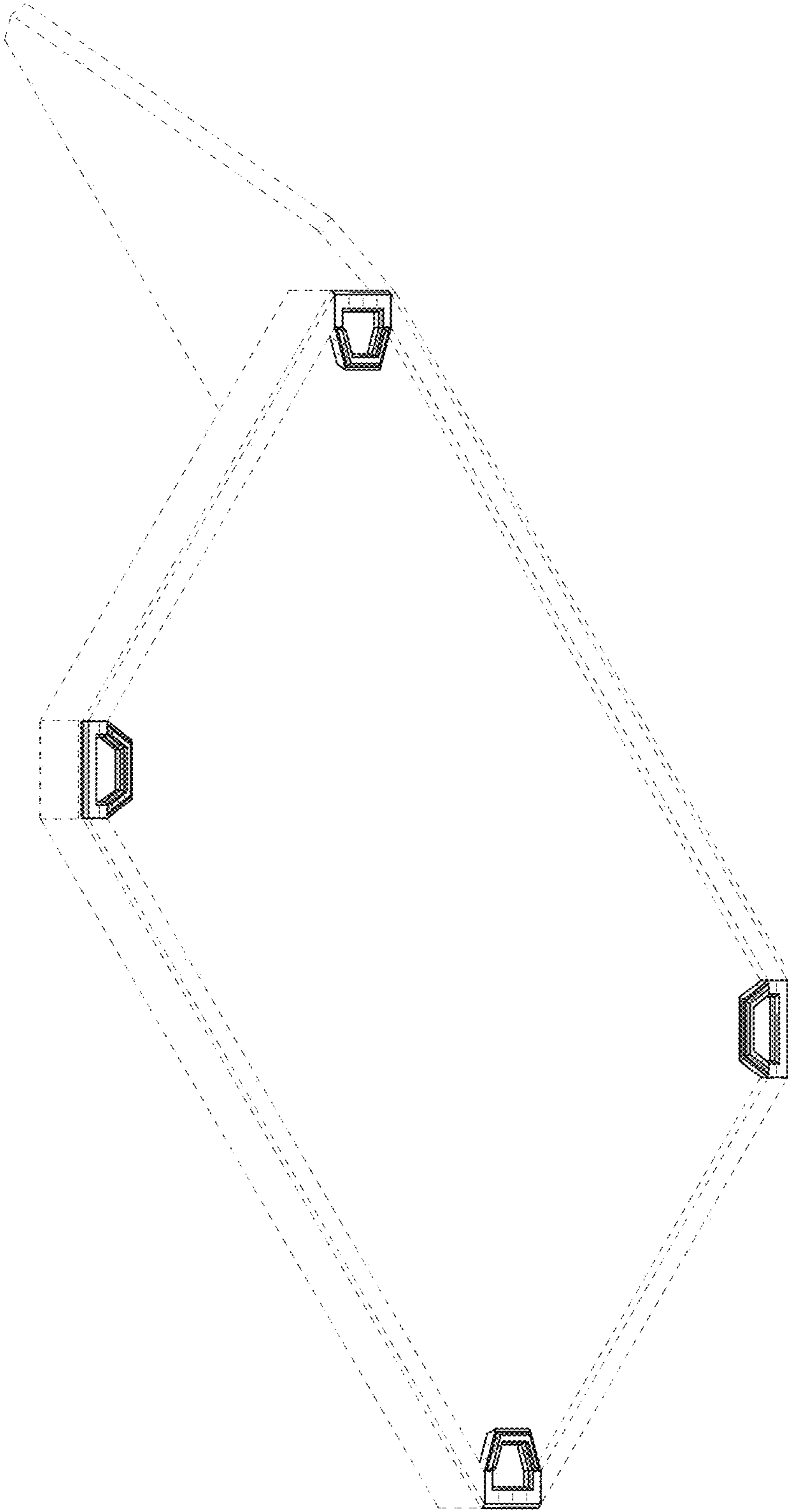


FIG. 8

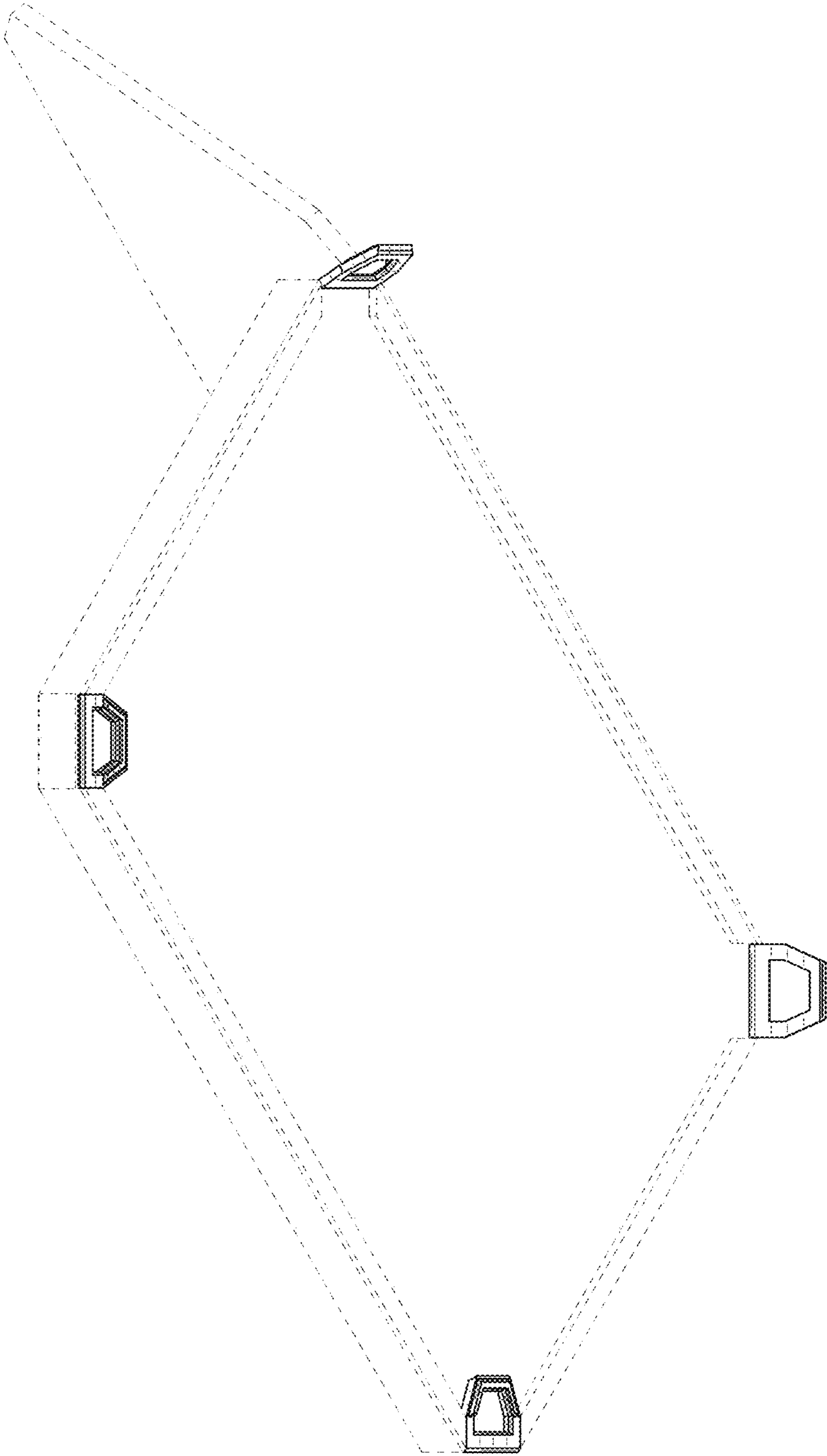


FIG. 9

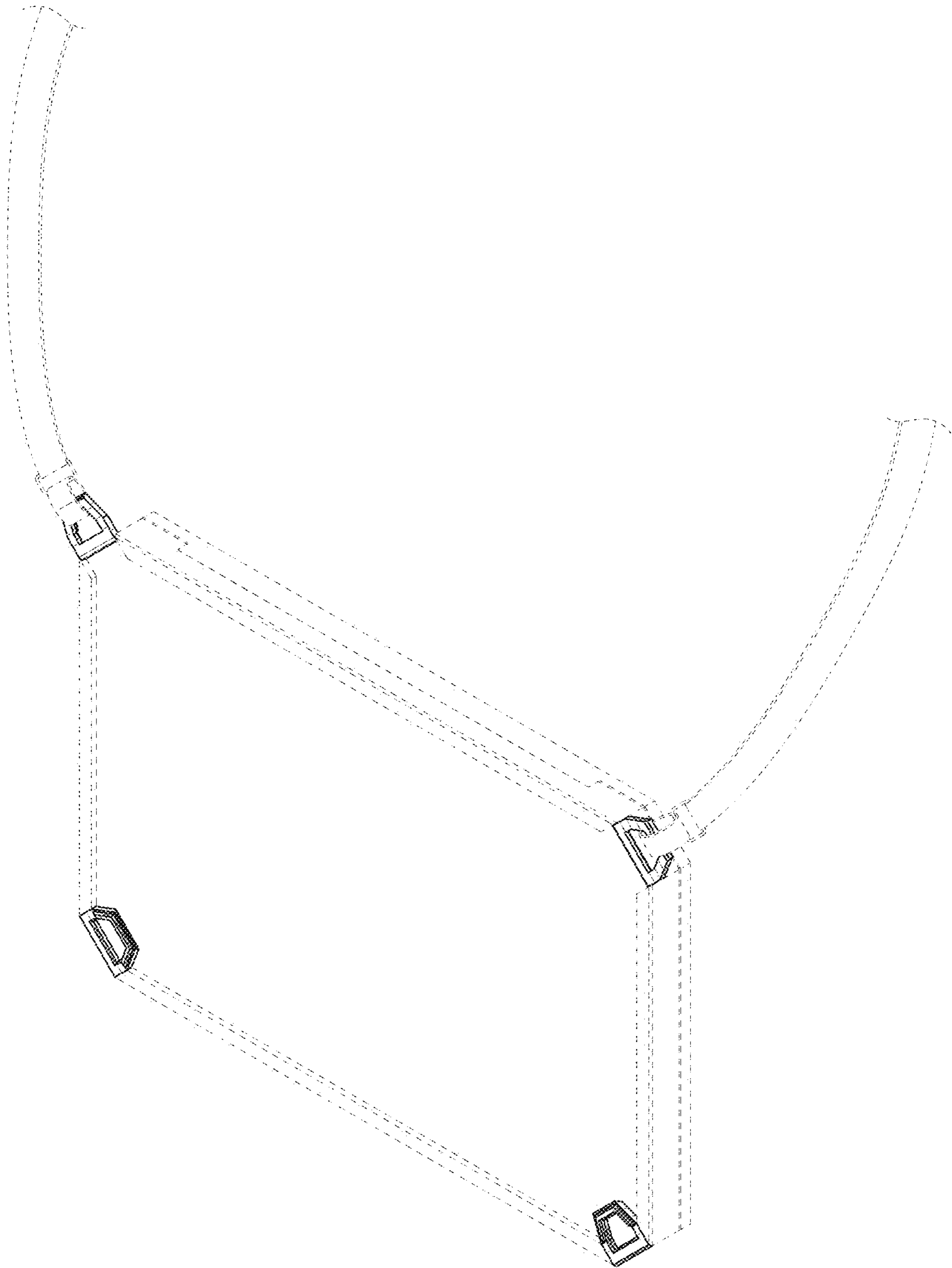


FIG. 10

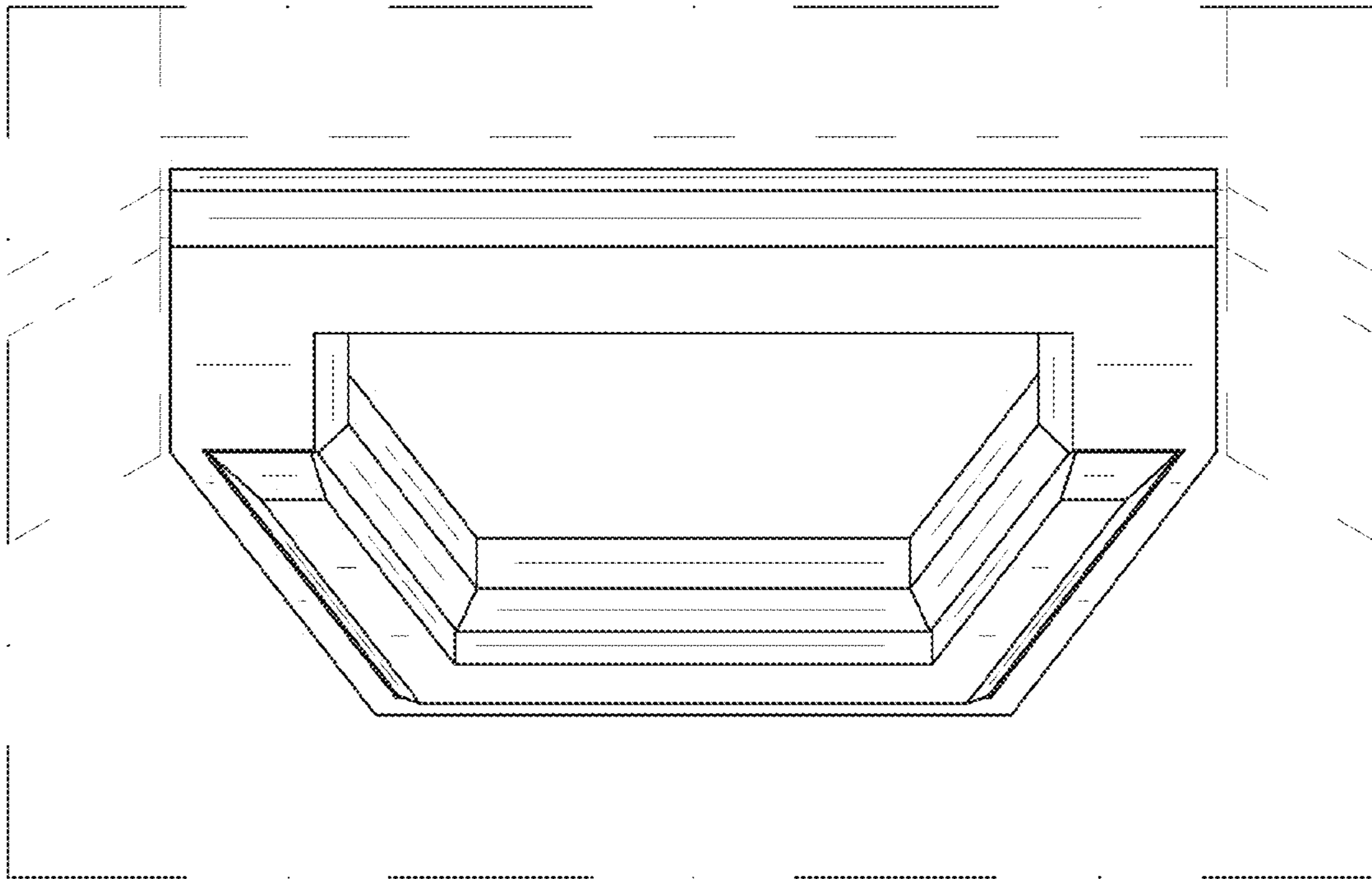


FIG. 11

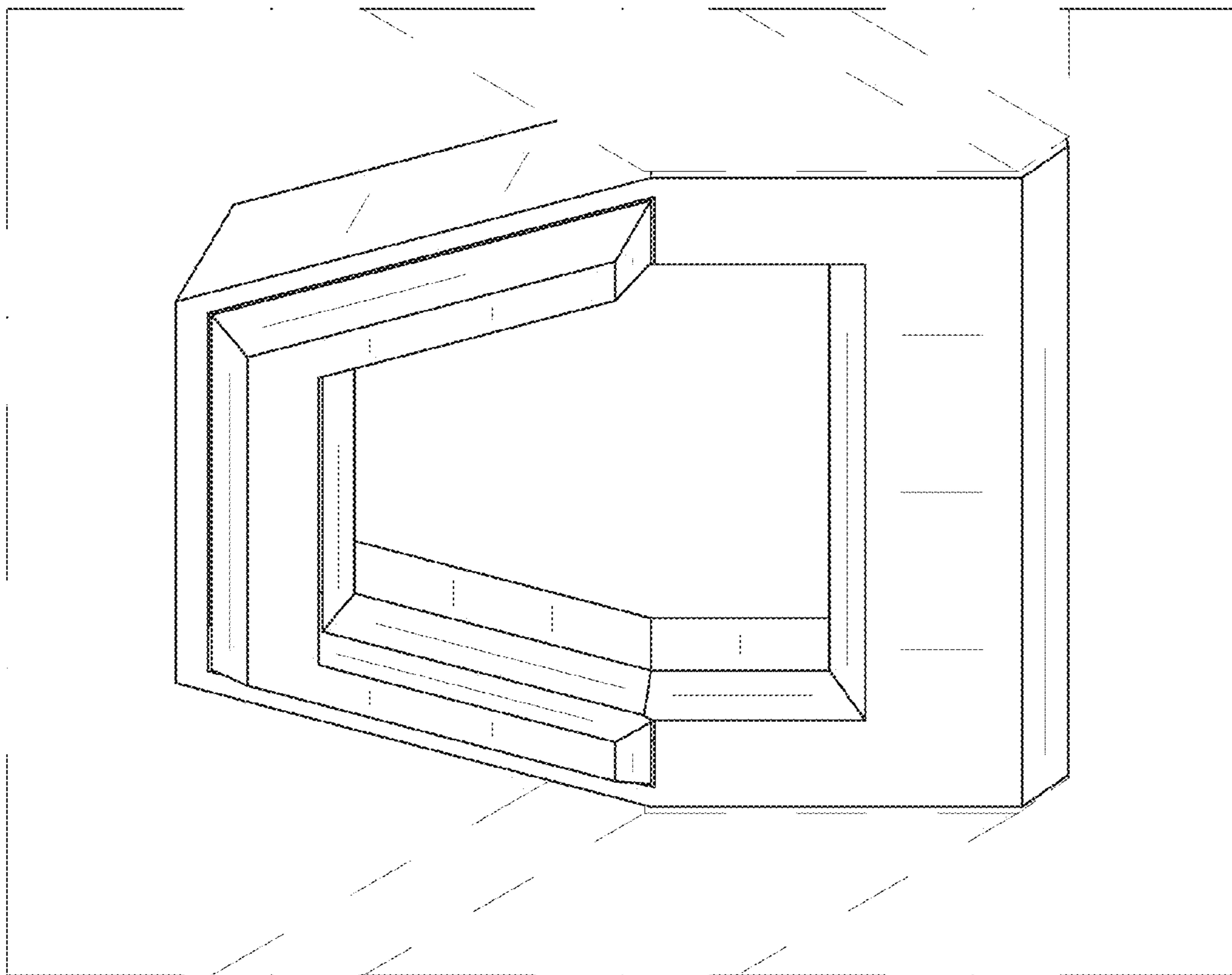


FIG. 12

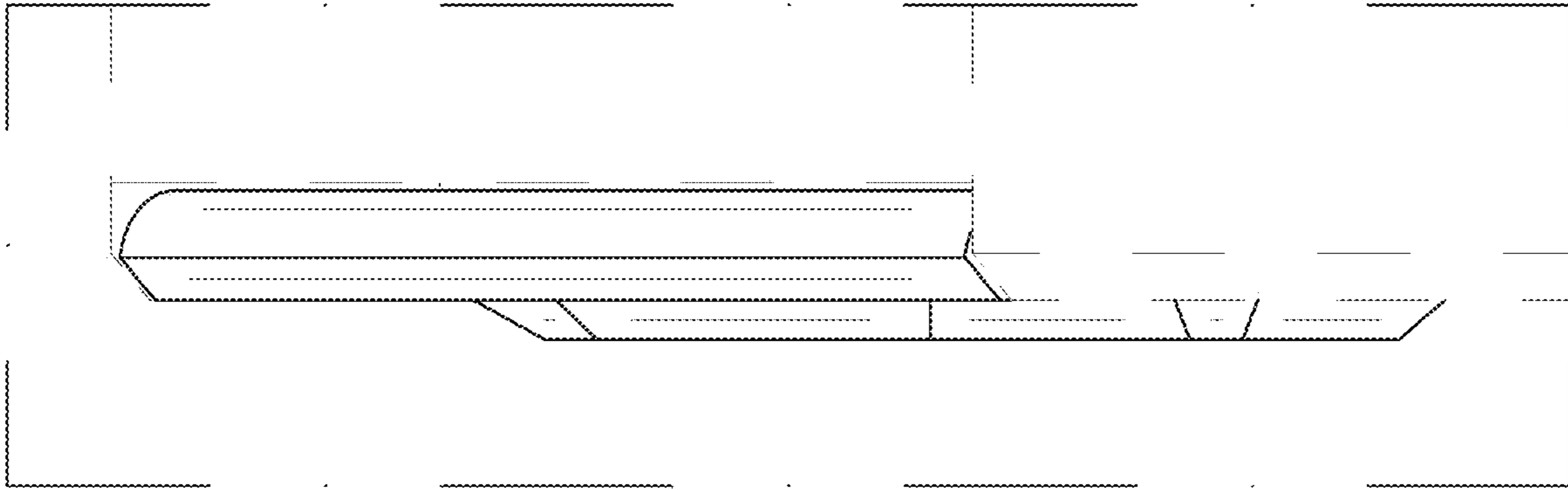


FIG. 13

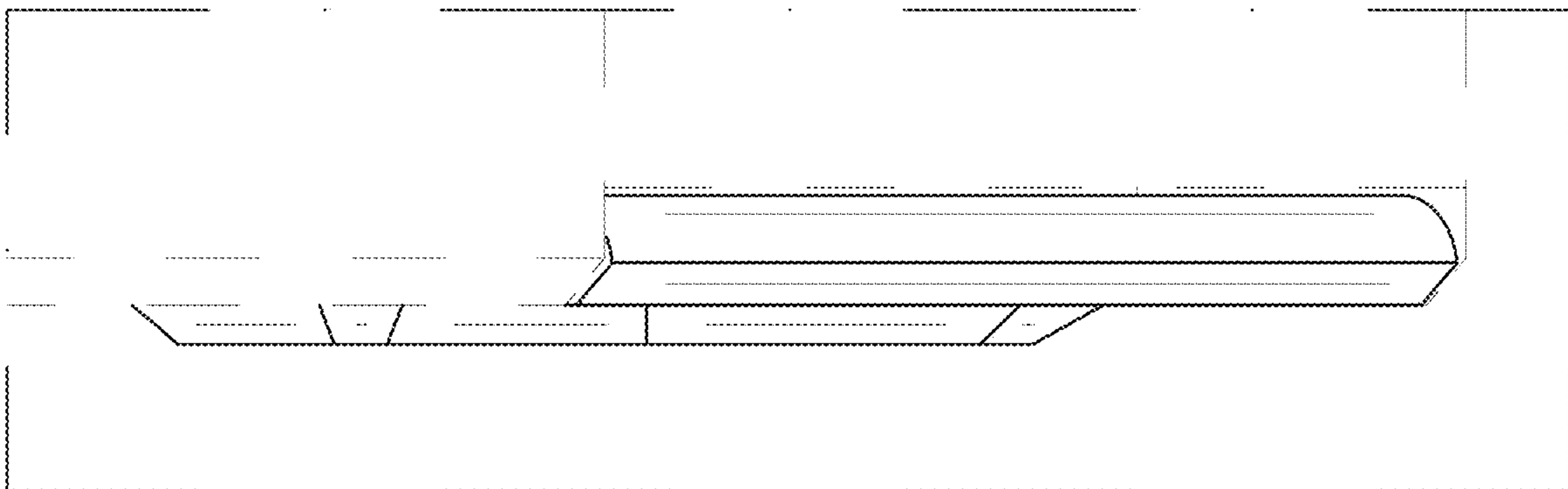


FIG. 14

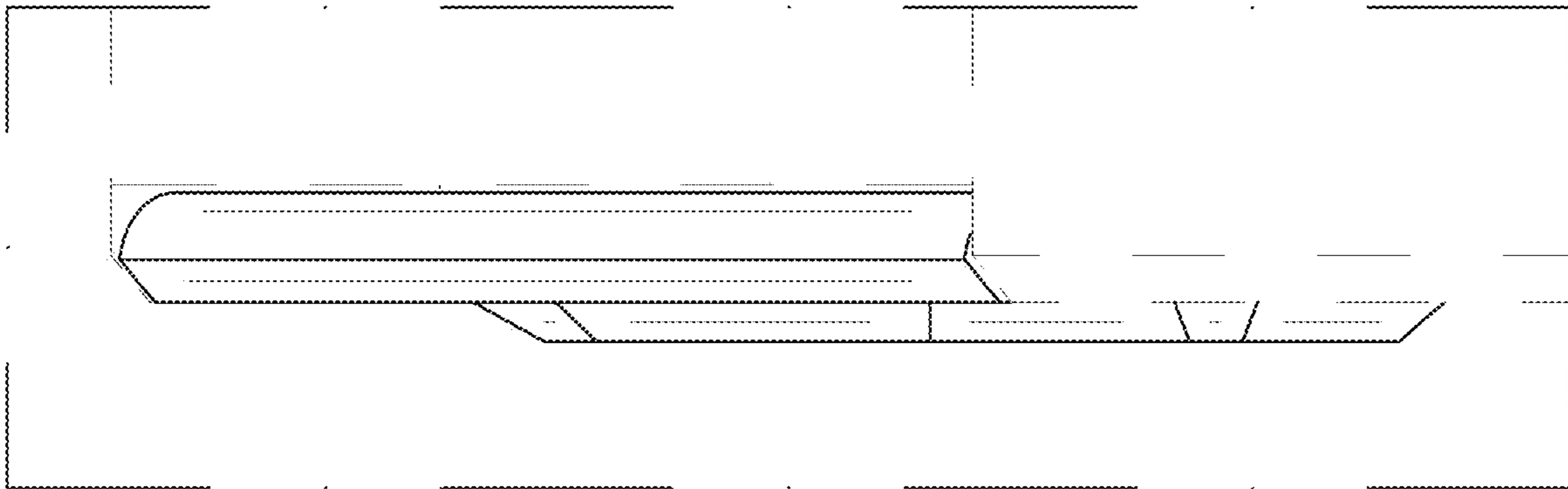


FIG. 15

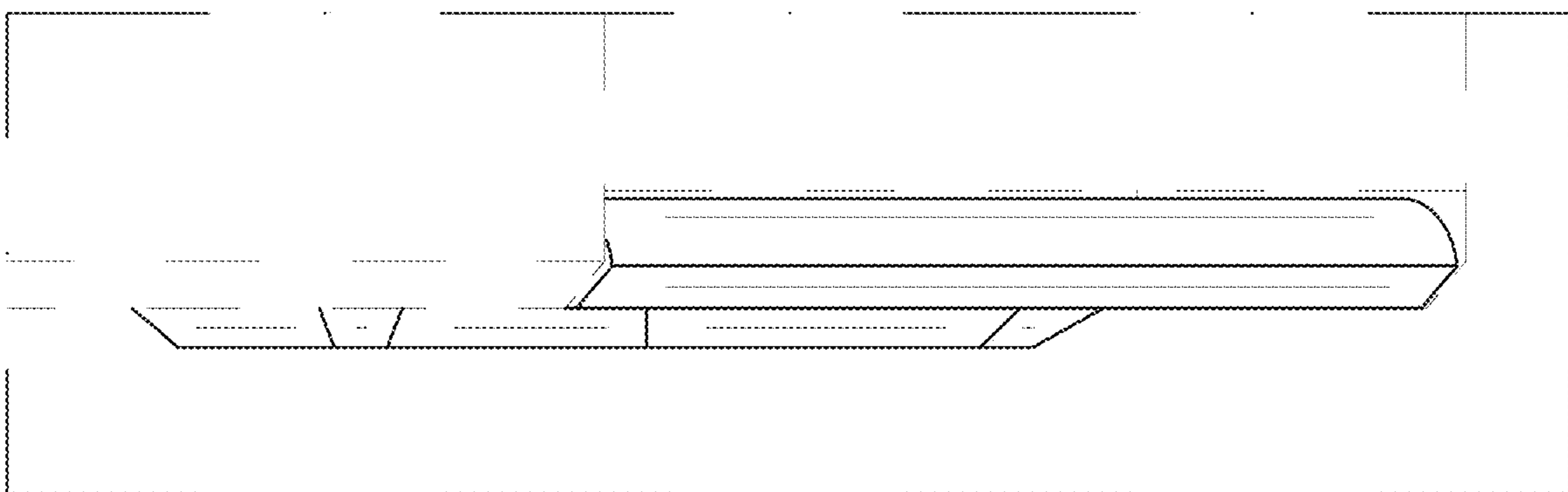


FIG. 16