

US00D962223S

(12) **United States Design Patent**  
**Leung et al.**

(10) **Patent No.:** **US D962,223 S**  
(45) **Date of Patent:** **\*\* Aug. 30, 2022**

(54) **LAPTOP COMPUTER**

(71) Applicant: **Quanta Computer Inc.**, Taoyuan (TW)

(72) Inventors: **Chee-Chun Leung**, Taoyuan (TW);  
**Wen-Hung Tsai**, Taoyuan (TW);  
**Chang-Ta Miao**, Taoyuan (TW);  
**Gwo-Chyuan Chen**, Taoyuan (TW);  
**Chih-Kang Ting**, Taoyuan (TW);  
**Shun-Kai Chuang**, Taoyuan (TW)

(73) Assignee: **QUANTA COMPUTER INC.**,  
Taoyuan (TW)

(\*\*) Term: **15 Years**

(21) Appl. No.: **29/724,152**

(22) Filed: **Feb. 13, 2020**

(30) **Foreign Application Priority Data**

Oct. 31, 2019 (TW) ..... 108306732

(51) **LOC (13) Cl.** ..... **14-02**

(52) **U.S. Cl.**  
USPC ..... **D14/316**

(58) **Field of Classification Search**  
USPC ..... D14/150, 168, 203.4, 203.6, 247,  
D14/315-327, 331, 345-346, 371, 376,  
(Continued)

(56) **References Cited**

**U.S. PATENT DOCUMENTS**

5,590,021 A \* 12/1996 Register ..... G06F 1/16  
248/923  
5,687,939 A \* 11/1997 Moscovitch ..... F16M 11/14  
248/122.1

(Continued)

**FOREIGN PATENT DOCUMENTS**

CN 305087700 \* 3/2019  
CN 305724987 \* 4/2020  
KR 301050150.0000 \* 3/2020

**OTHER PUBLICATIONS**

Dual Monitor Laptop, Dell/Lachezar/Volek, lachtsvetanov.com, published by Lachezar Tsvetanov in 2011 © 2021 Lachezar Tsvetanov, site visited Feb. 9, 2021. Available at URL: <https://lachtsvetanov.com/projects/concepts/dual-screen-laptop/> (Year: 2011).\*

(Continued)

*Primary Examiner* — Holly E Thurman

*Assistant Examiner* — Altaira J Swangin

(74) *Attorney, Agent, or Firm* — McClure, Qualey & Rodack, LLP

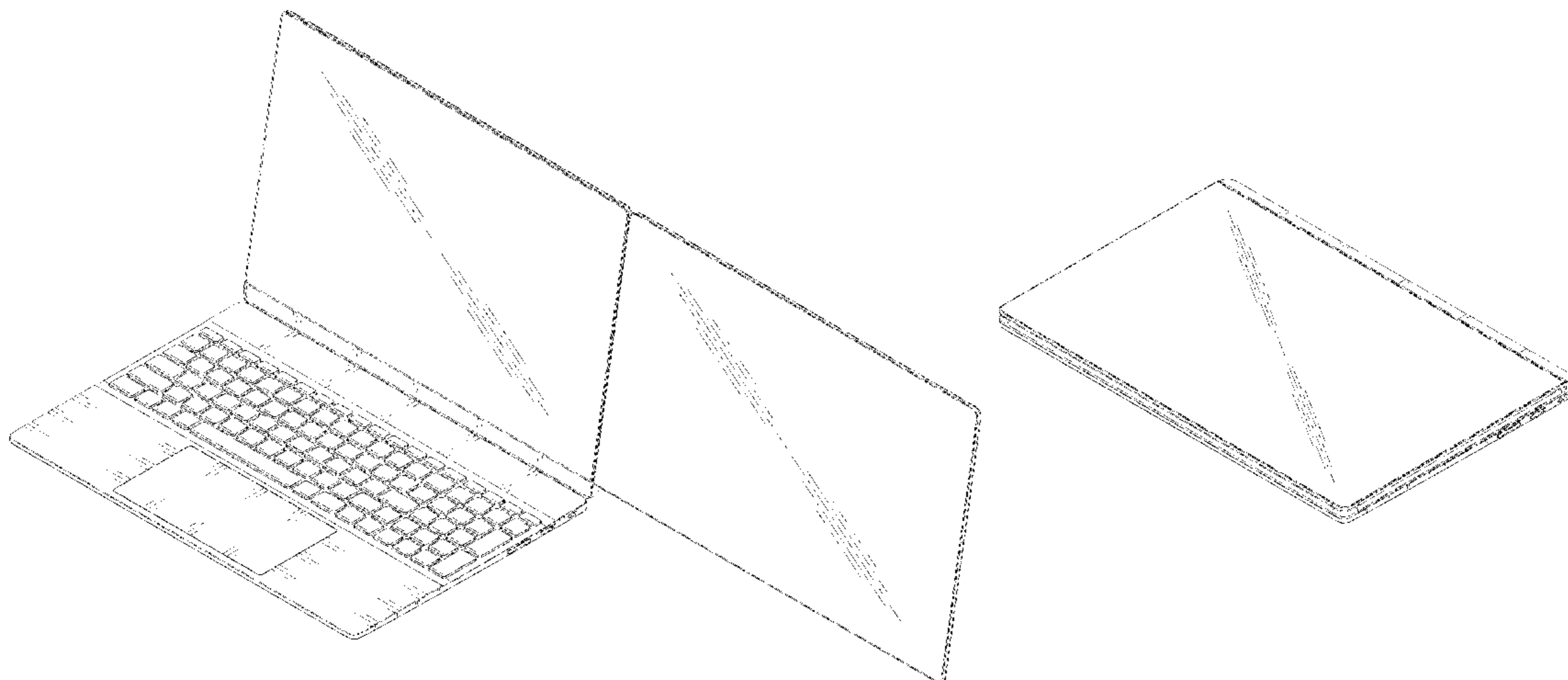
(57) **CLAIM**

The ornamental design for a laptop computer, as shown and described.

**DESCRIPTION**

FIG. 1 is a top, front and right perspective view of a laptop computer in an unfolded state, showing our new design; FIG. 2 is a front view thereof; FIG. 3 is a rear view thereof; FIG. 4 is a left side view thereof; FIG. 5 is a right side view thereof; FIG. 6 is a top plan view thereof; FIG. 7 is a bottom plan view thereof; FIG. 8 is a top, front and right perspective view of the laptop computer of FIG. 1, shown in an alternate configuration of use; FIG. 9 is a top, front and right perspective view of the laptop computer of FIG. 1, shown in another alternate configuration of use; FIG. 10 is a top, rear and left perspective view thereof; and, FIG. 11 is a top, front and right perspective view of the laptop computer of FIG. 1, shown in another alternate configuration of use. The broken lines in FIG. 7 depict portions of laptop computer that form no part of the claimed design.

**1 Claim, 11 Drawing Sheets**



(58) **Field of Classification Search**

USPC ..... D14/391–399, 401, 429, 434, 440,  
 D14/455–457, 477, 479, 507, 509,  
 D14/373–374; D3/900–901;  
 D21/324–326, 409, 512, 515;  
 D24/137–138, 160, 186, 225  
 CPC ..... B41J 5/00; B41J 5/10; B41J 5/12; G06F  
 1/1664; G06F 1/1637; G06F 1/1654;  
 G06F 1/1647; G09F 9/00; G09F 9/3023  
 See application file for complete search history.

(56) **References Cited**

U.S. PATENT DOCUMENTS

D395,041 S \* 6/1998 Leveridge ..... D14/127  
 6,343,006 B1 \* 1/2002 Moscovitch ..... G06F 1/1601  
 361/679.04  
 6,667,877 B2 \* 12/2003 Duquette ..... G06F 1/1607  
 248/917  
 D510,920 S \* 10/2005 Tandberg ..... D14/127  
 D530,716 S \* 10/2006 Kimura ..... D14/396  
 7,375,954 B2 \* 5/2008 Yang ..... G06F 1/1616  
 248/920  
 D587,710 S \* 3/2009 Han ..... D14/373  
 D587,711 S \* 3/2009 Han ..... D14/373  
 D589,511 S \* 3/2009 Han ..... D14/373  
 D589,958 S \* 4/2009 Han ..... D14/373  
 D589,959 S \* 4/2009 Han ..... D14/373  
 D615,054 S \* 5/2010 Mellingen ..... D14/127  
 D615,082 S \* 5/2010 Taichi ..... D14/316  
 D630,204 S \* 1/2011 Kovac ..... D14/327  
 D630,205 S \* 1/2011 Kovac ..... D14/327  
 D630,206 S \* 1/2011 Kovac ..... D14/327  
 D630,628 S \* 1/2011 Kovac ..... D14/327  
 7,864,514 B2 \* 1/2011 Lee ..... F16M 13/02  
 362/225  
 D650,777 S \* 12/2011 Suzuki ..... D14/306  
 D652,832 S \* 1/2012 Wu ..... D14/373  
 9,357,846 B2 \* 6/2016 Hung ..... F16M 11/10  
 D768,131 S \* 10/2016 Kuo ..... D14/374  
 D789,325 S \* 6/2017 Huang ..... D14/203.4  
 D808,950 S \* 1/2018 Miele ..... D14/371  
 10,871,801 B2 \* 12/2020 Yao ..... G06F 1/1647  
 D922,974 S \* 6/2021 Bae ..... D14/138 AB  
 D926,751 S \* 8/2021 Collins ..... D14/320  
 D928,143 S \* 8/2021 Yeom ..... D14/315  
 D928,775 S \* 8/2021 Yeom ..... D14/341  
 D936,049 S \* 11/2021 Han ..... D14/315  
 D936,646 S \* 11/2021 Lin ..... D14/327

D937,254 S \* 11/2021 Chen ..... D14/315  
 D941,813 S \* 1/2022 Cho ..... D14/345  
 D941,818 S \* 1/2022 Vojan ..... D14/373  
 11,221,652 B2 \* 1/2022 Tzou ..... G06F 1/1649  
 2003/0026638 A1 \* 2/2003 Huang ..... G06F 3/0221  
 400/472  
 2004/0041062 A1 \* 3/2004 Ozolins ..... G02F 1/133308  
 248/122.1  
 2004/0196209 A1 \* 10/2004 Chen ..... G06F 1/1616  
 345/1.1  
 2005/0253775 A1 \* 11/2005 Stewart ..... G06F 1/1616  
 345/1.1  
 2006/0082518 A1 \* 4/2006 Ram ..... G06F 3/1446  
 345/1.1  
 2006/0214871 A1 \* 9/2006 Iwamura ..... G06F 1/1601  
 345/1.1  
 2008/0062625 A1 \* 3/2008 Batio ..... G06F 1/1647  
 361/679.55  
 2009/0102744 A1 \* 4/2009 Ram ..... G06F 1/1696  
 345/1.1  
 2011/0228463 A1 \* 9/2011 Matagne ..... G06F 1/1649  
 361/679.04  
 2015/0198831 A1 \* 7/2015 Kim ..... G02F 1/13336  
 345/1.3  
 2016/0116946 A1 \* 4/2016 Miller ..... G06F 1/1618  
 345/1.3  
 2019/0004568 A1 \* 1/2019 Kaya ..... G06F 1/1681  
 2019/0008056 A1 \* 1/2019 Kreil ..... B60K 35/00  
 2020/0278722 A1 \* 9/2020 Hudgins ..... G06F 1/1616  
 2020/0285271 A1 \* 9/2020 Huang ..... G02F 1/13336  
 2020/0409645 A1 \* 12/2020 Clark ..... G06F 1/3265  
 2021/0232183 A1 \* 7/2021 Shibayama ..... G06F 1/1647  
 2021/0303029 A1 \* 9/2021 Delaporte ..... G06F 1/1652  
 2022/0075426 A1 \* 3/2022 Oh ..... G06F 3/041

OTHER PUBLICATIONS

TwoView 2 Dual Flip-up LCD monitors with Integral Keyboard, General Digital, generaldigital.com, author unlisted, published on Mar. 19, 2016 © 1995-2021 General Digital Corporation, online, site visited Feb. 9, 2021. Available at URL: <https://www.generaldigital.com/twoview-dual-flip-up-lcd-monitor> (Year: 2016).\*

Rugged Dual Screen 2U Rack Mount, I-Tech Company, i-techcompany.com, author unlisted, published on Sep. 10, 2016 per wayback machine © iTechLCD, online, site visited Feb. 10, 2021. Available at URL: <http://www.i-techcompany.com/rugged-dual-widescreen-2ru-fold-away-17inch-dual-monitors-drp2dw17.html> (Year: 2016).\*

\* cited by examiner



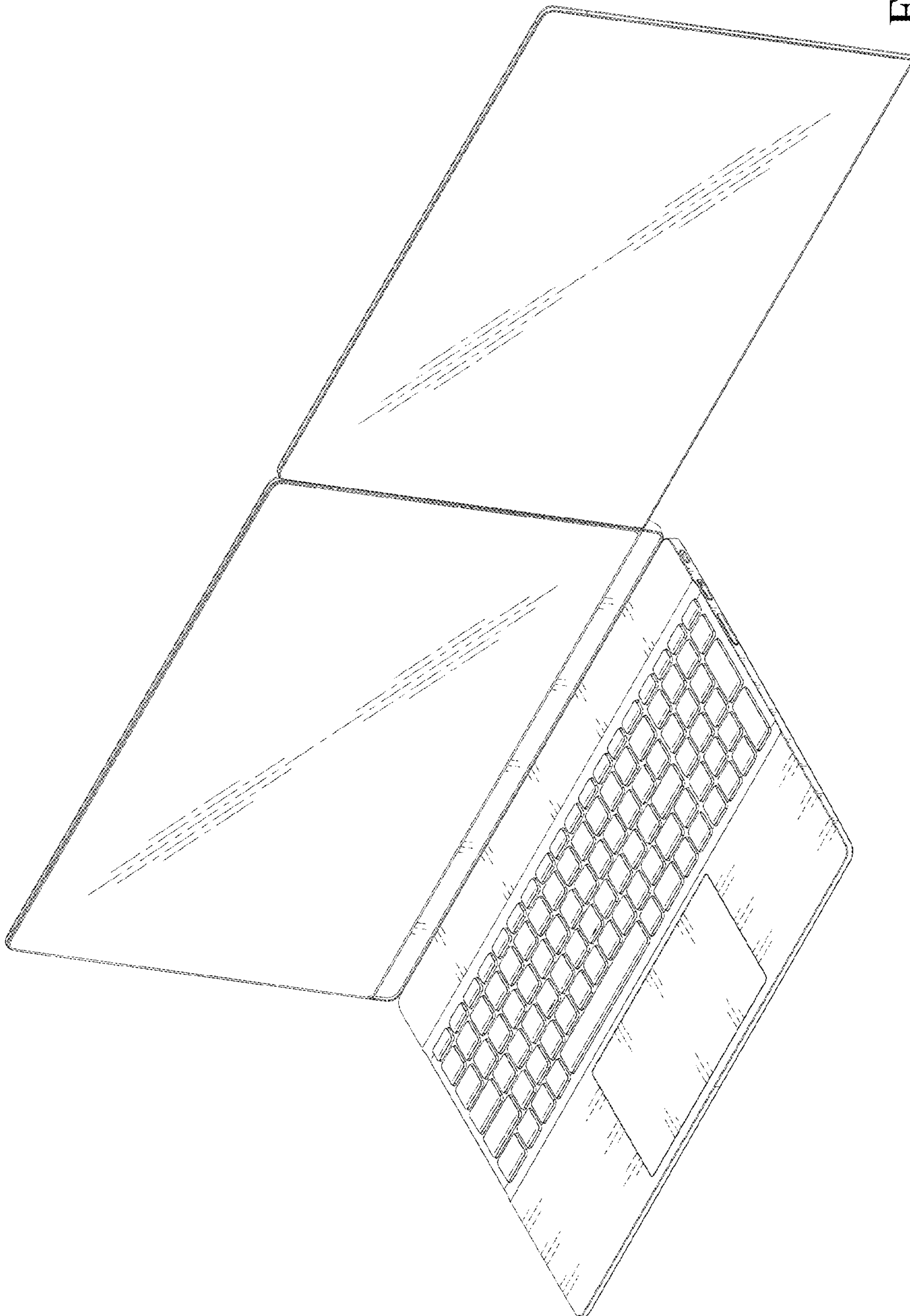


FIG. 1

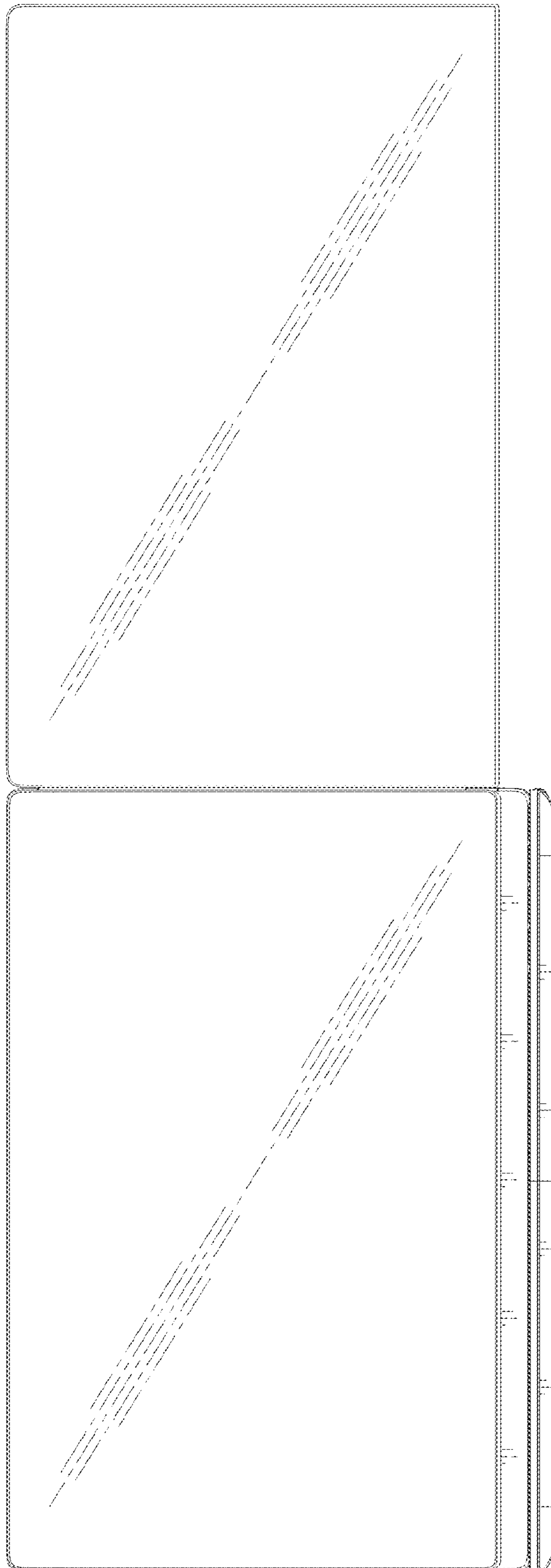


FIG. 2

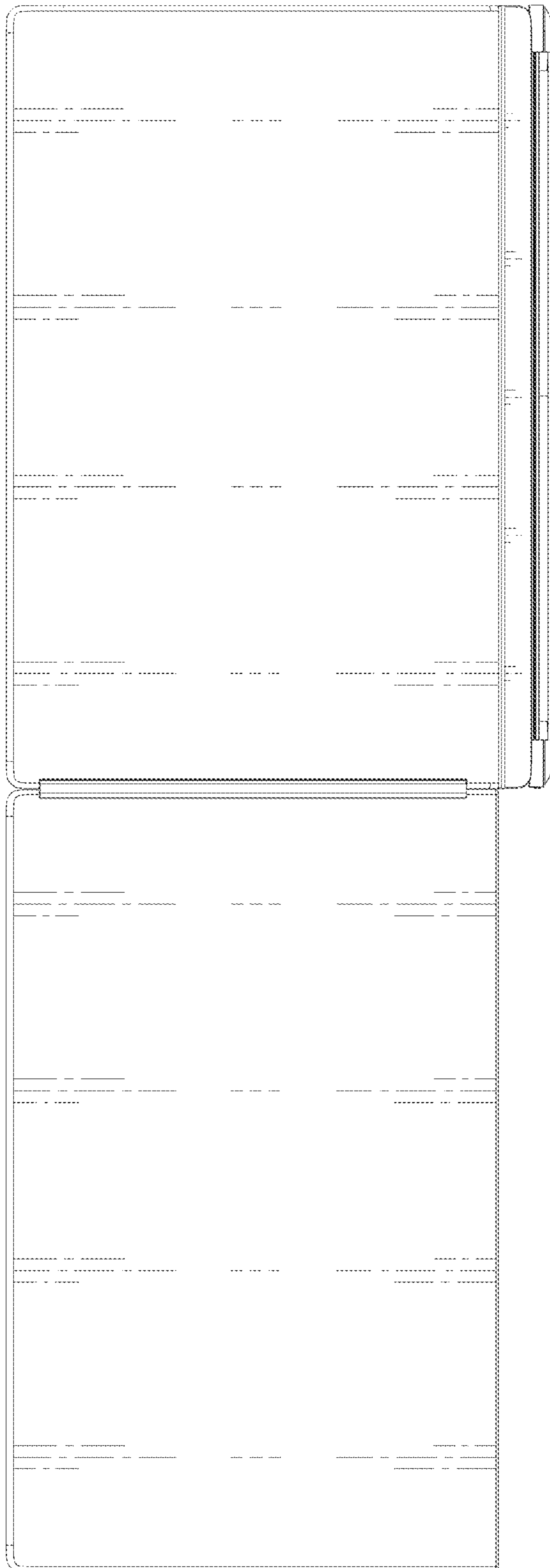


FIG. 3

FIG. 4

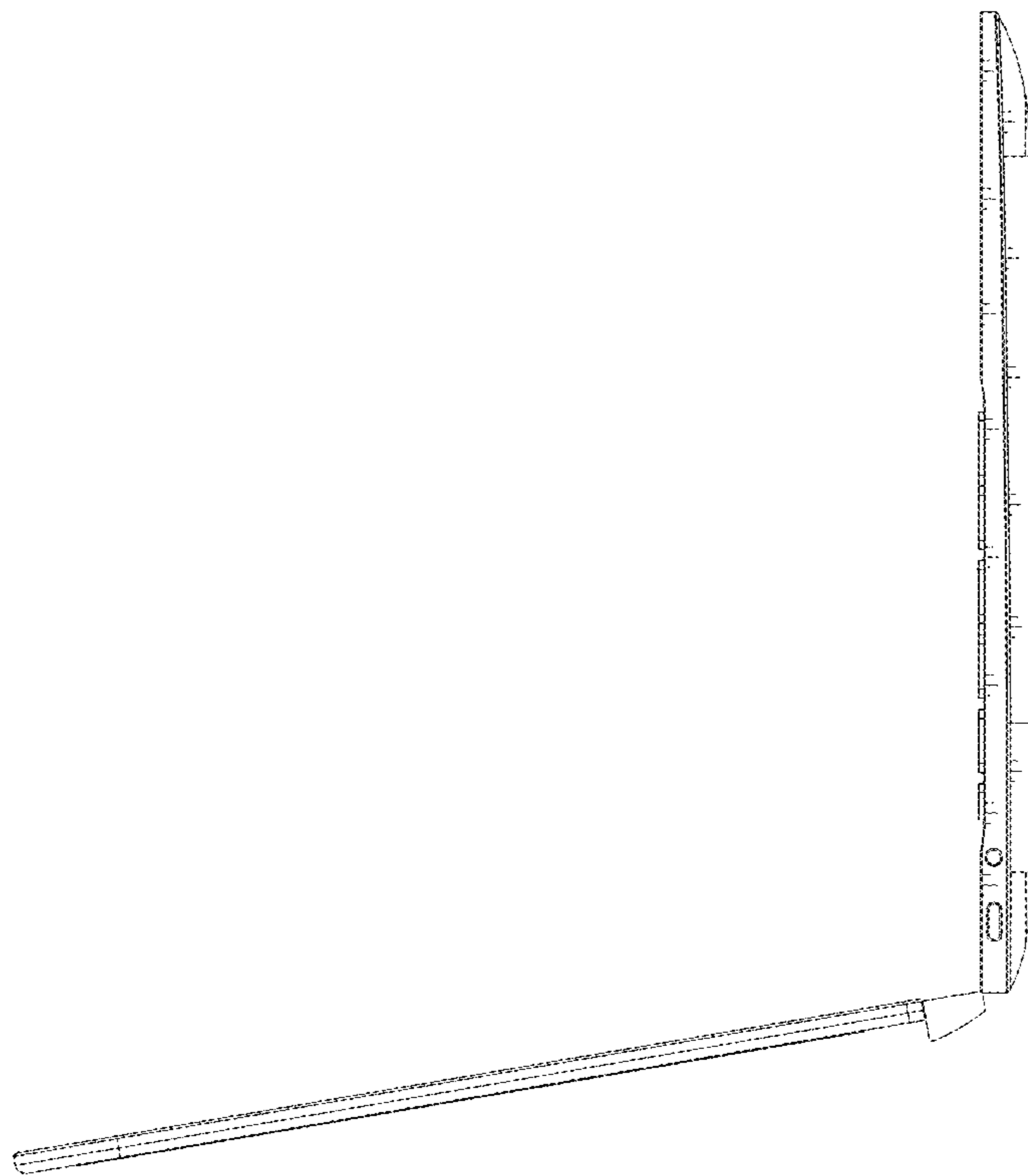
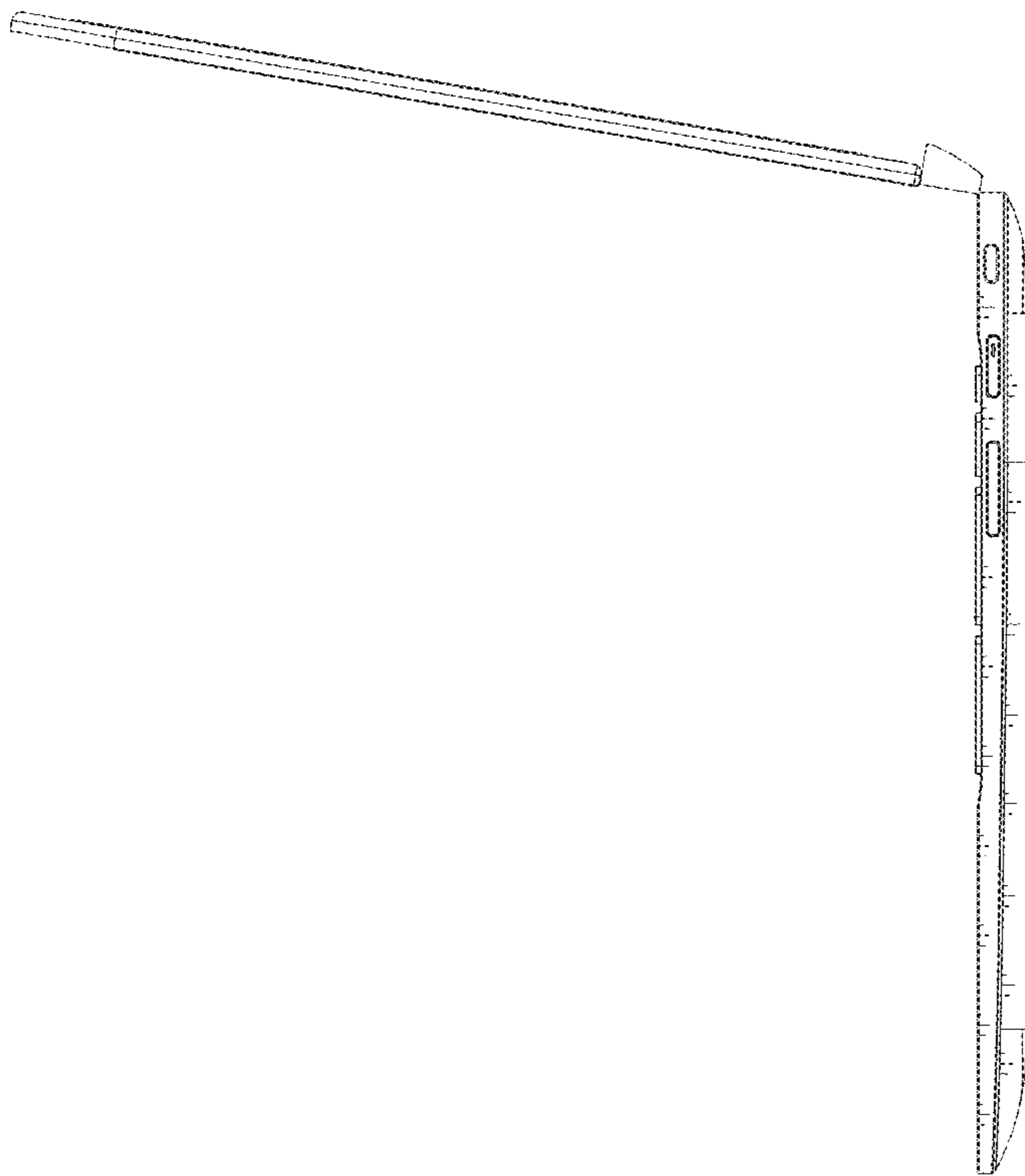


FIG. 5



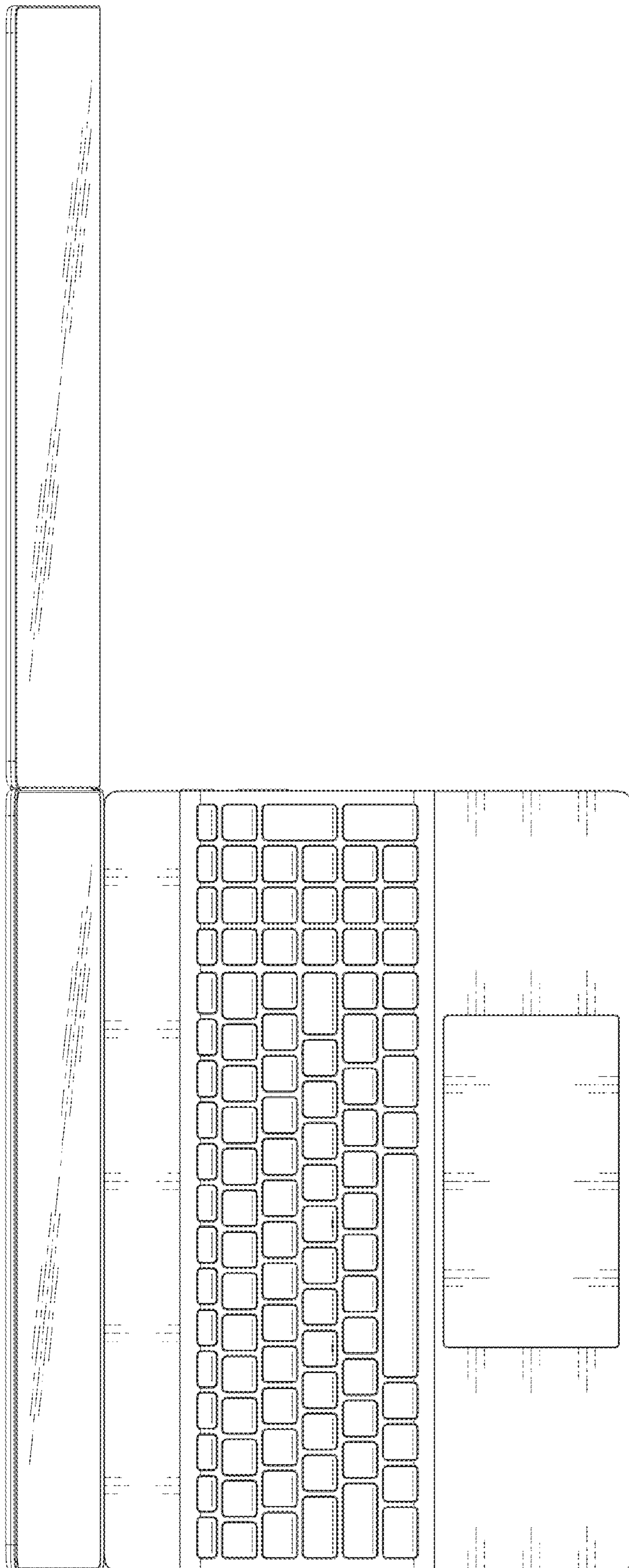


FIG. 6



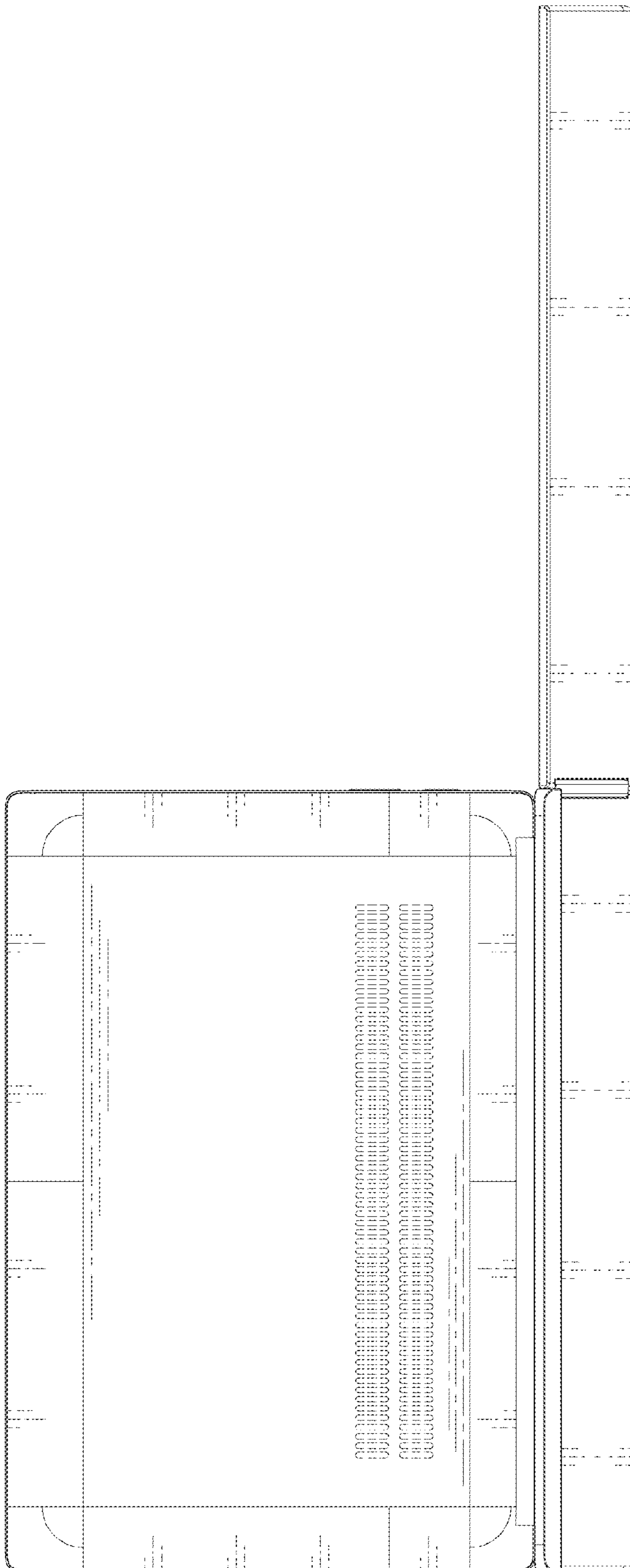


FIG. 7

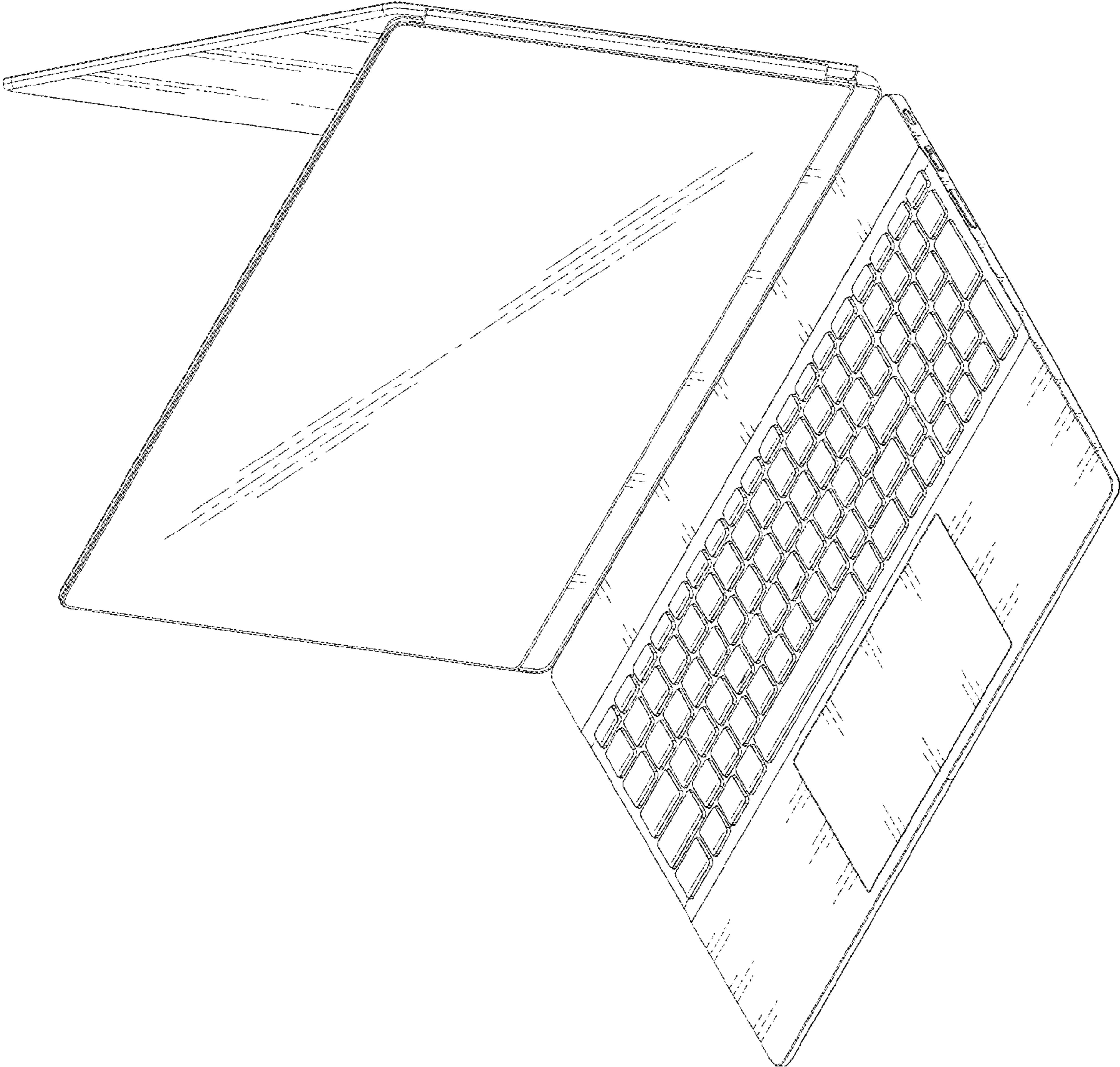


FIG. 8

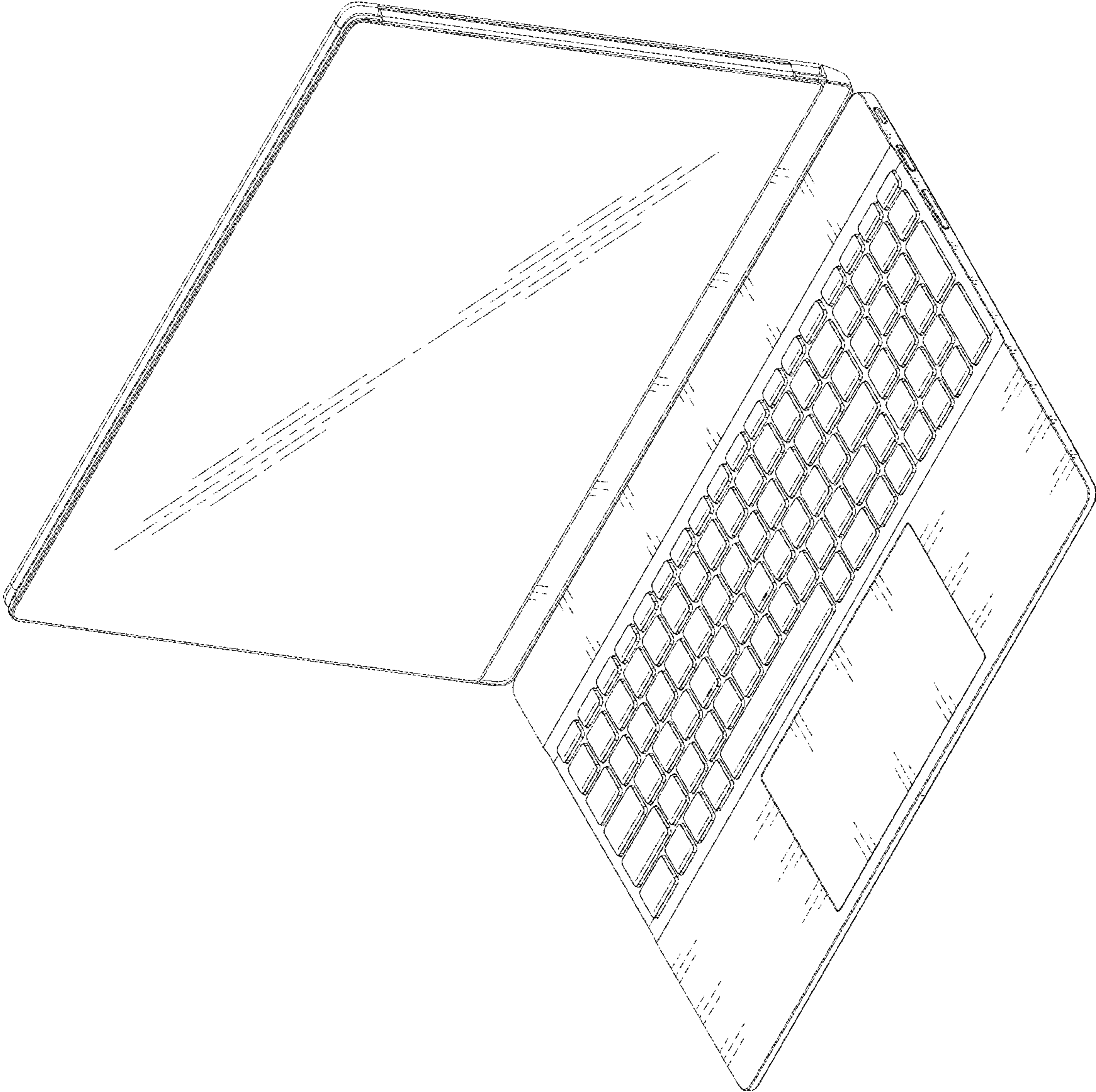
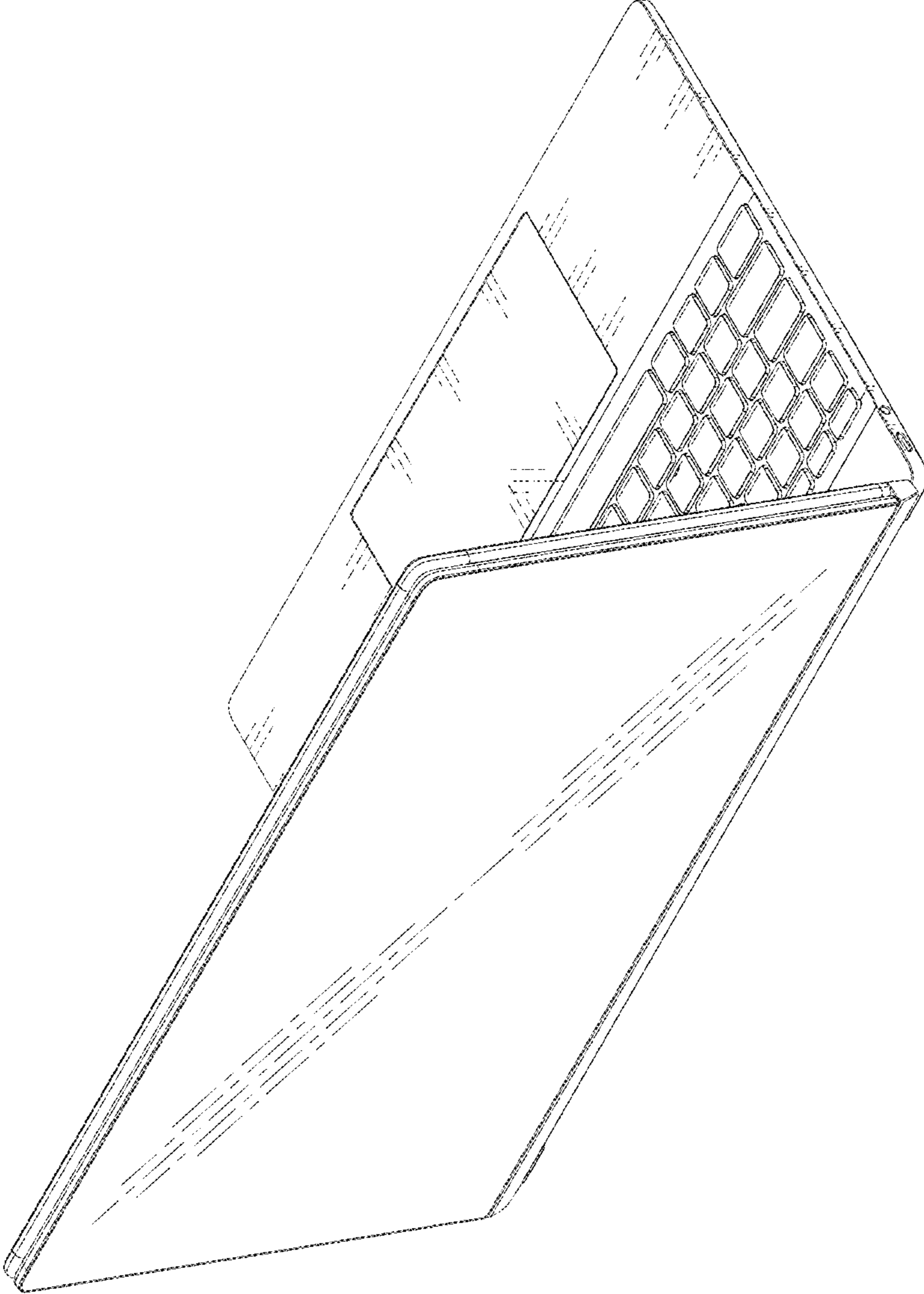


FIG. 9

FIG. 10





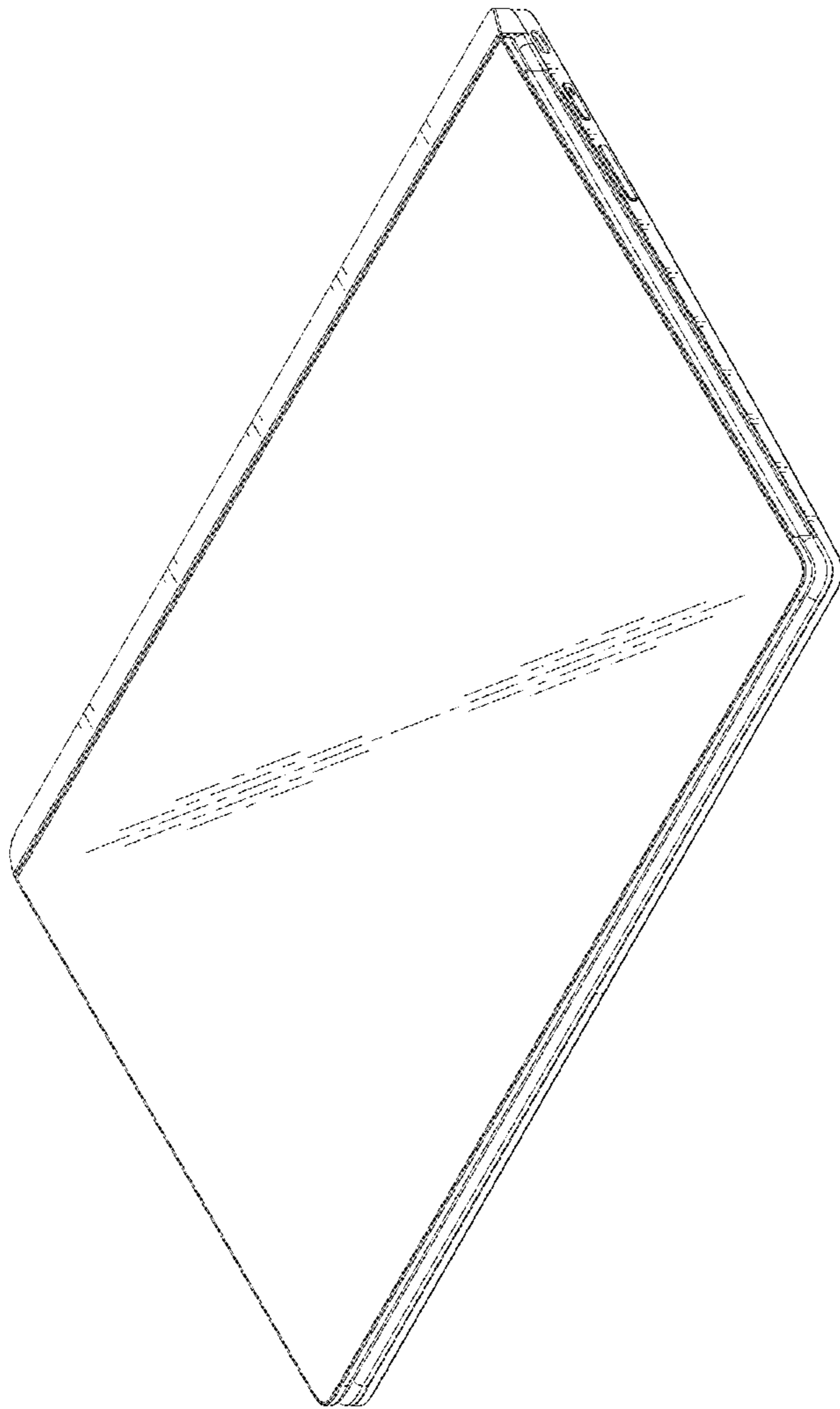


FIG. 11