

US00D962219S

(12) **United States Design Patent**
Jung et al.

(10) **Patent No.:** **US D962,219 S**

(45) **Date of Patent:** **** Aug. 30, 2022**

(54) **KIOSK**

(71) Applicant: **Samsung Electronics Co., Ltd.**,
Suwon-si (KR)

(72) Inventors: **Min-Joon Jung**, Suwon-si (KR);
Tae-Yeon Won, Suwon-si (KR);
Han-Sol Kwon, Suwon-si (KR)

(73) Assignee: **SAMSUNG ELECTRONICS CO., LTD.**,
Suwon-si (KR)

(**) Term: **15 Years**

(21) Appl. No.: **29/773,307**

(22) Filed: **Mar. 9, 2021**

(30) **Foreign Application Priority Data**

Oct. 7, 2020 (KR) 30-2020-0047966

(51) **LOC (13) Cl.** **14-02**

(52) **U.S. Cl.**
USPC **D14/307**

(58) **Field of Classification Search**
USPC D14/302-307, 900-902; D13/163;
D20/10; D21/332, 325, 369, 370;
D99/28; D6/397, 466; 194/206;
361/679.01, 679.02, 679.04, 679.21,
361/679.57, 725
CPC G06Q 20/18; G06Q 20/10; G06Q 20/123;
G06Q 20/20; G06Q 30/02; G06Q 30/06;
A47F 9/047
See application file for complete search history.

(56) **References Cited**

U.S. PATENT DOCUMENTS

D690,293 S * 9/2013 Wilson D14/307
D712,396 S * 9/2014 Johnson D14/307
D762,635 S * 8/2016 Szeredi D14/307
D774,029 S * 12/2016 Kim D14/307

D782,466 S * 3/2017 Yopez D14/307
D806,698 S * 1/2018 Thompson D14/307
D816,077 S * 4/2018 Benic et al.
D857,007 S * 8/2019 Pitallano D14/307
D900,089 S * 10/2020 Harris D14/307
D900,804 S * 11/2020 Mugica D14/307
D920,429 S * 5/2021 Hoinowski D14/126
D928,772 S * 8/2021 Ahn D14/307

(Continued)

FOREIGN PATENT DOCUMENTS

CN 304926677 12/2018
KR 30-0664160 10/2012

(Continued)

Primary Examiner — Austin Murphy

(74) *Attorney, Agent, or Firm* — McAndrews Held & Malloy, Ltd.

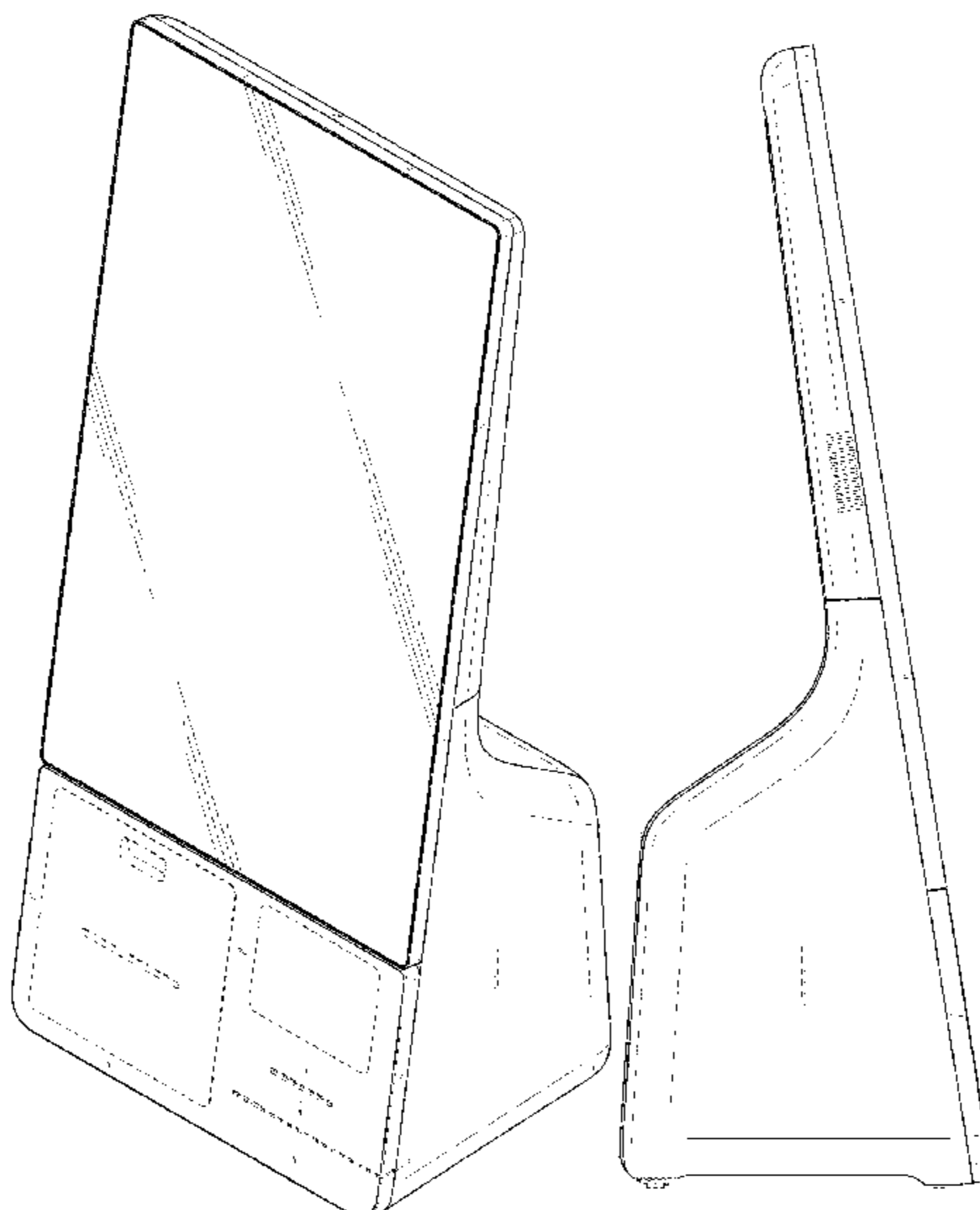
(57) **CLAIM**

The ornamental design for a kiosk, as shown and described.

DESCRIPTION

FIG. 1 is a front perspective view of a kiosk showing our new design;
FIG. 2 is a front elevation view thereof;
FIG. 3 is a rear elevation view thereof;
FIG. 4 is a left side elevation view thereof;
FIG. 5 is a right side elevation view thereof;
FIG. 6 is a top plan view thereof;
FIG. 7 is a bottom plan view thereof;
FIG. 8 is a rear perspective view thereof;
FIG. 9 is a bottom perspective view thereof; and,
FIG. 10 is the front perspective view of FIG. 1, shown with a stand that forms no part of the claimed design.
The broken lines illustrating a stand in FIG. 10 form no part of the claimed design. The remaining broken lines in the figures illustrate portions of the kiosk that form no part of the claimed design.

1 Claim, 10 Drawing Sheets



(56)

References Cited

U.S. PATENT DOCUMENTS

D937,823 S * 12/2021 Ahn D14/307
D947,846 S * 4/2022 Chandrasekaran D14/384
D951,934 S * 5/2022 Swee D14/307
D951,935 S * 5/2022 Ushery, Jr. D14/307

FOREIGN PATENT DOCUMENTS

KR 30-0893674 2/2017
KR 30-1015956 7/2019

* cited by examiner

FIG. 1

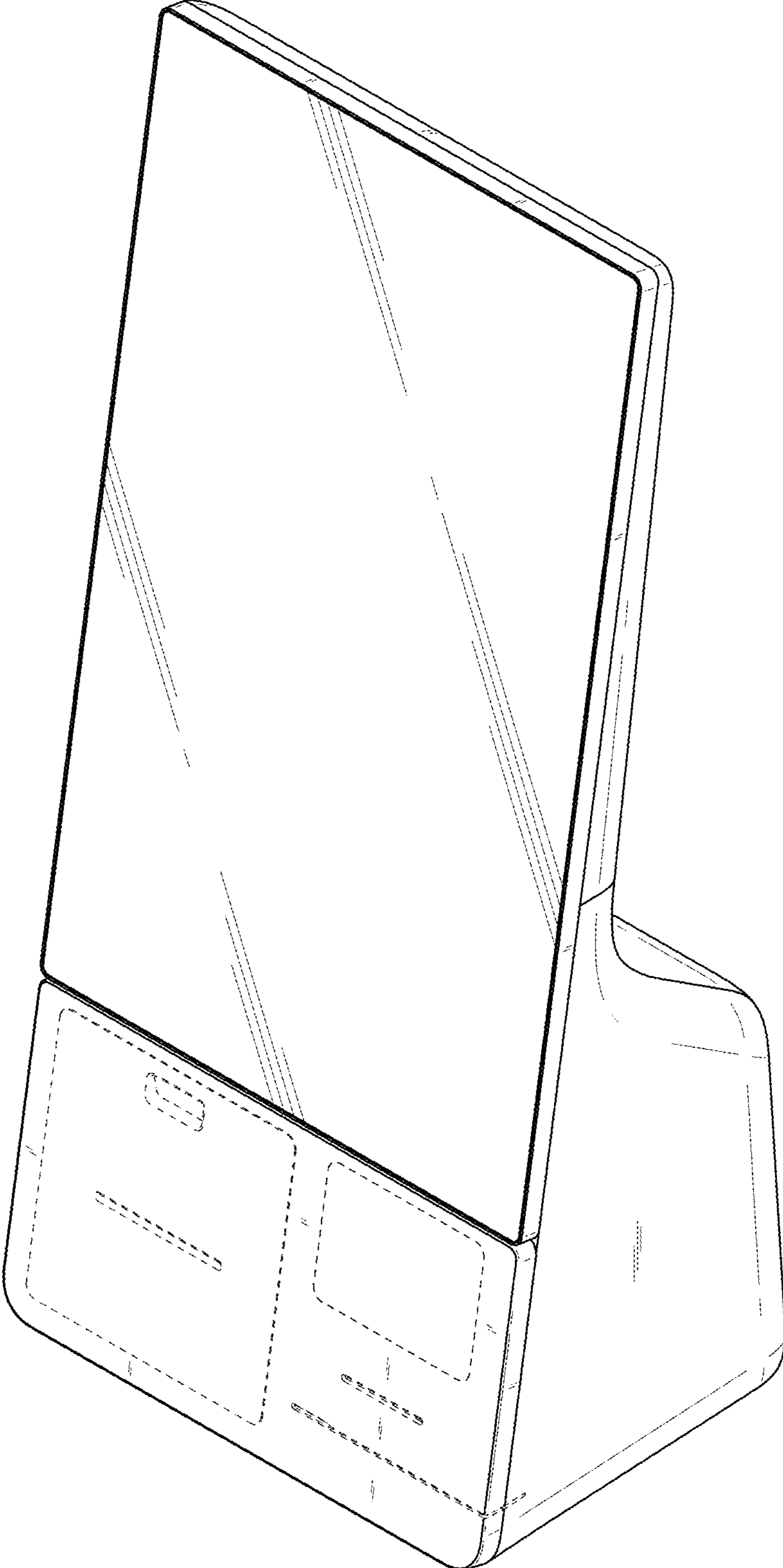


FIG. 2

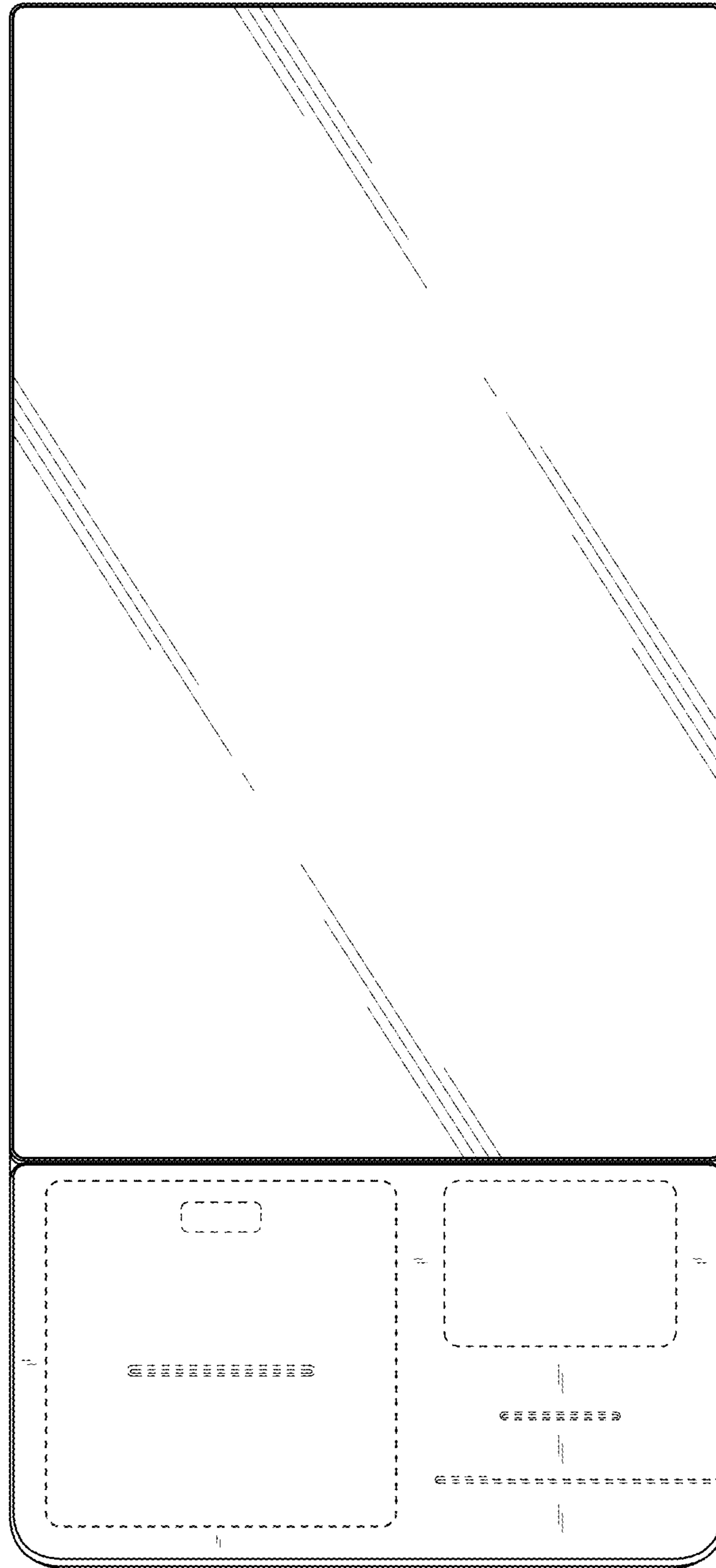


FIG. 3

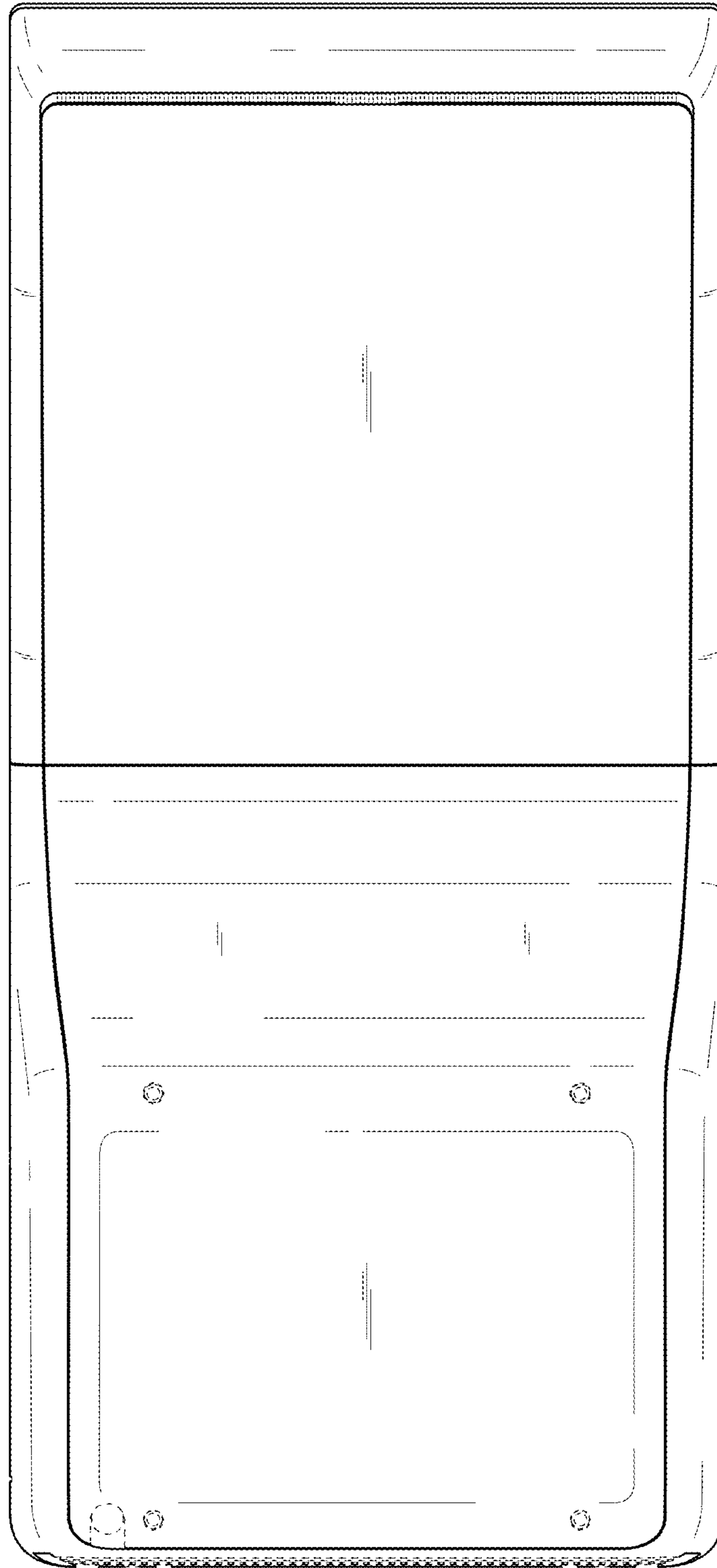


FIG. 4

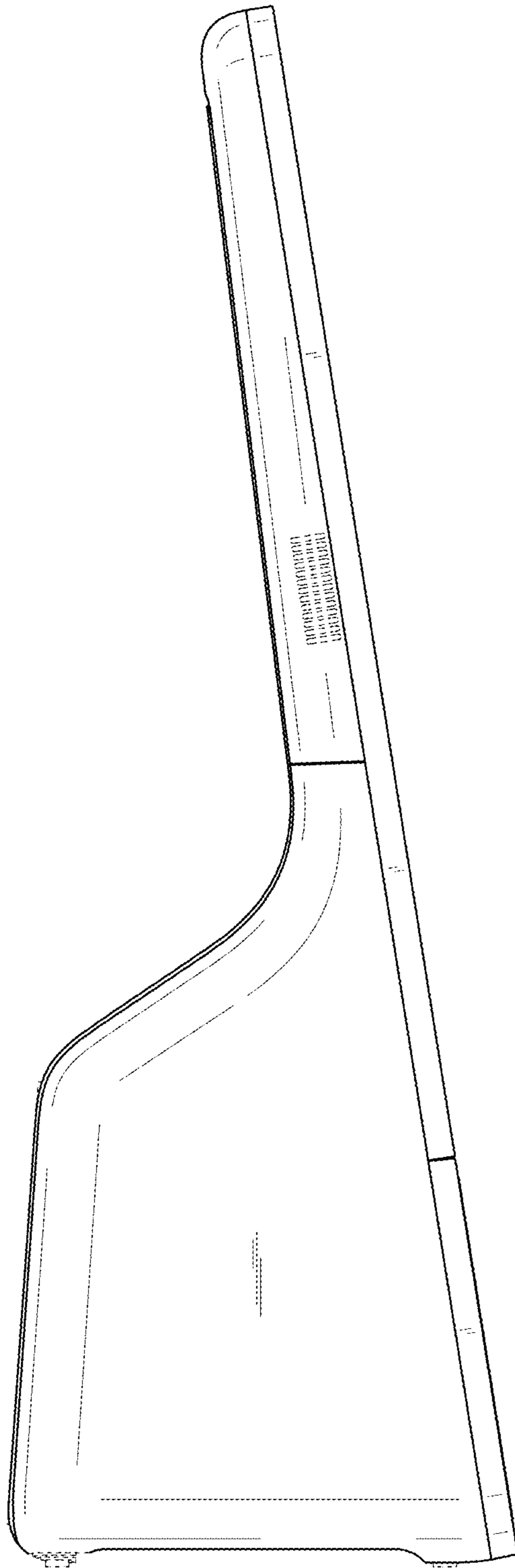


FIG. 5

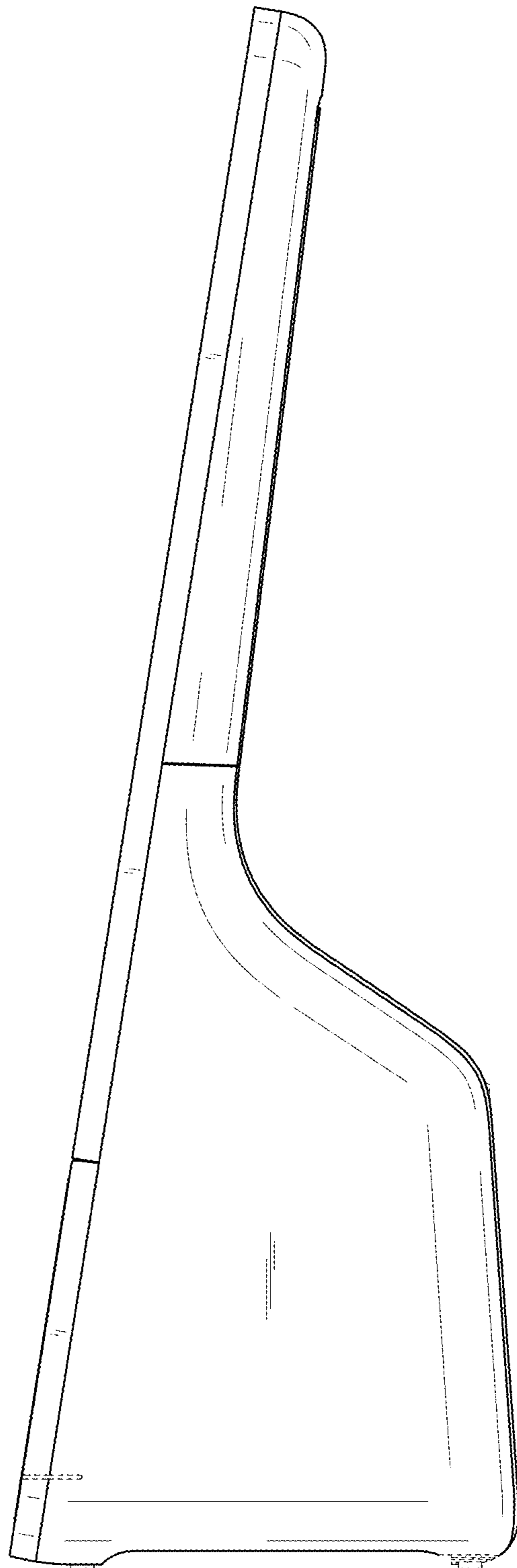


FIG. 6

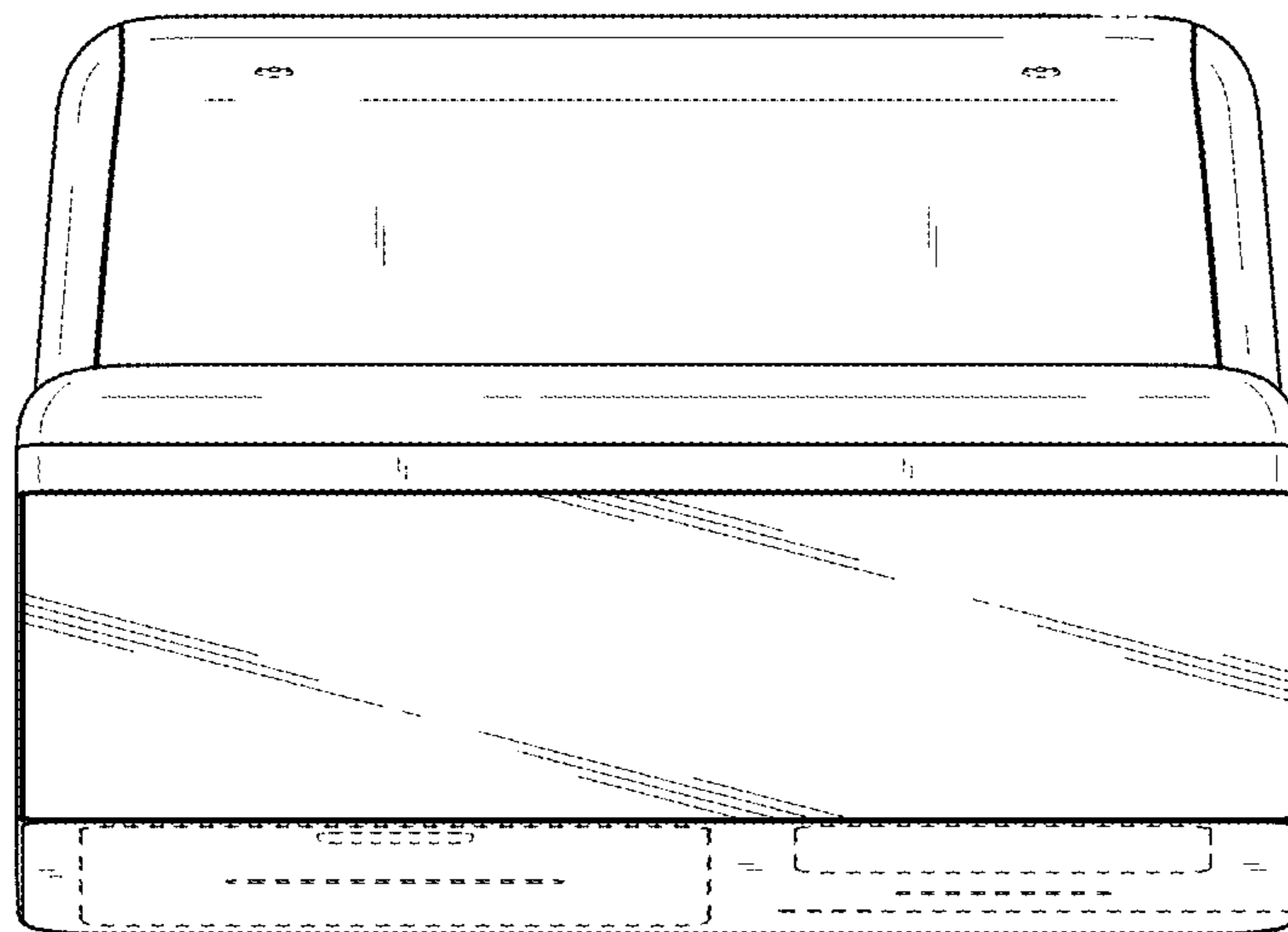


FIG. 7

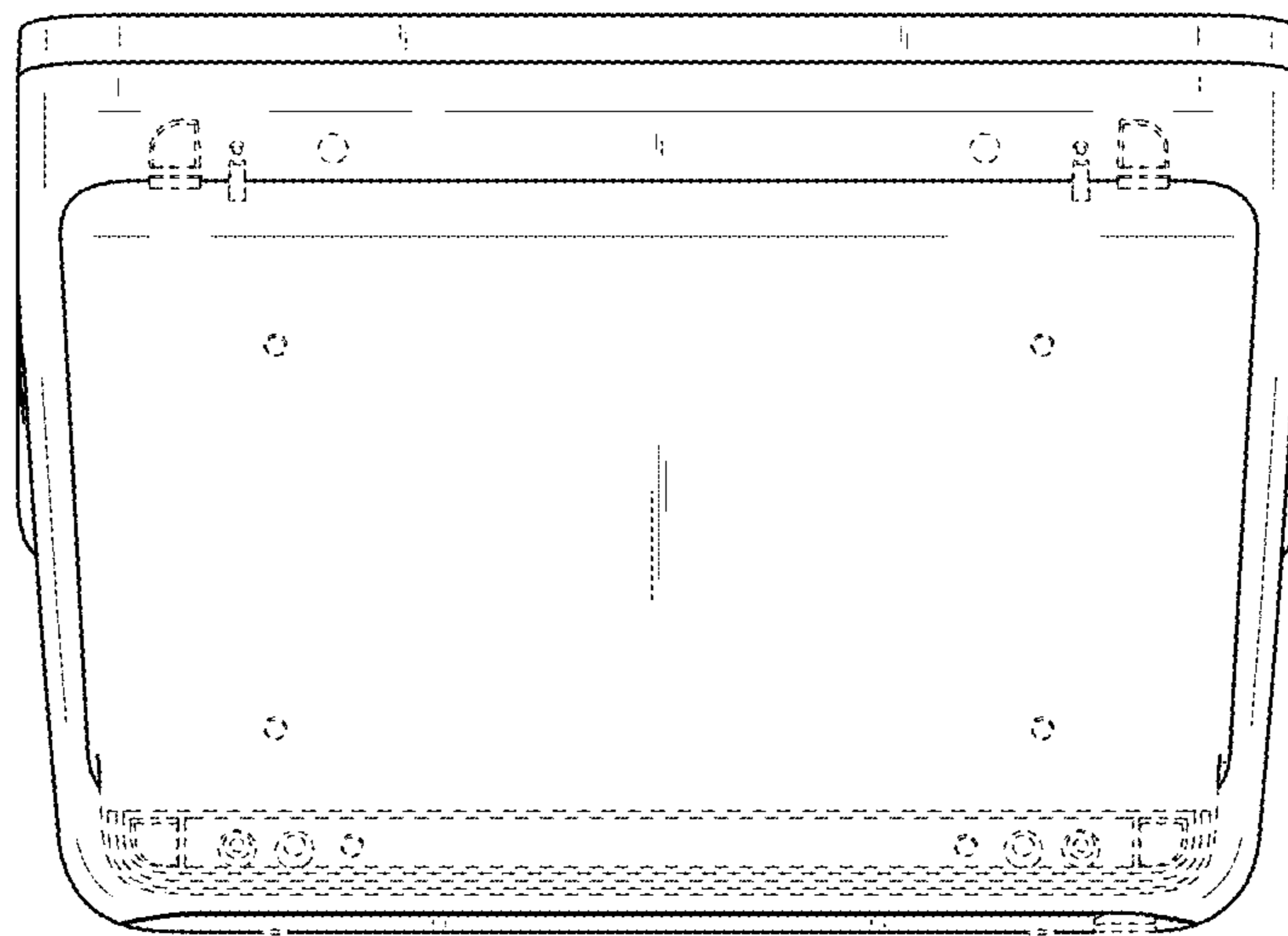


FIG. 8

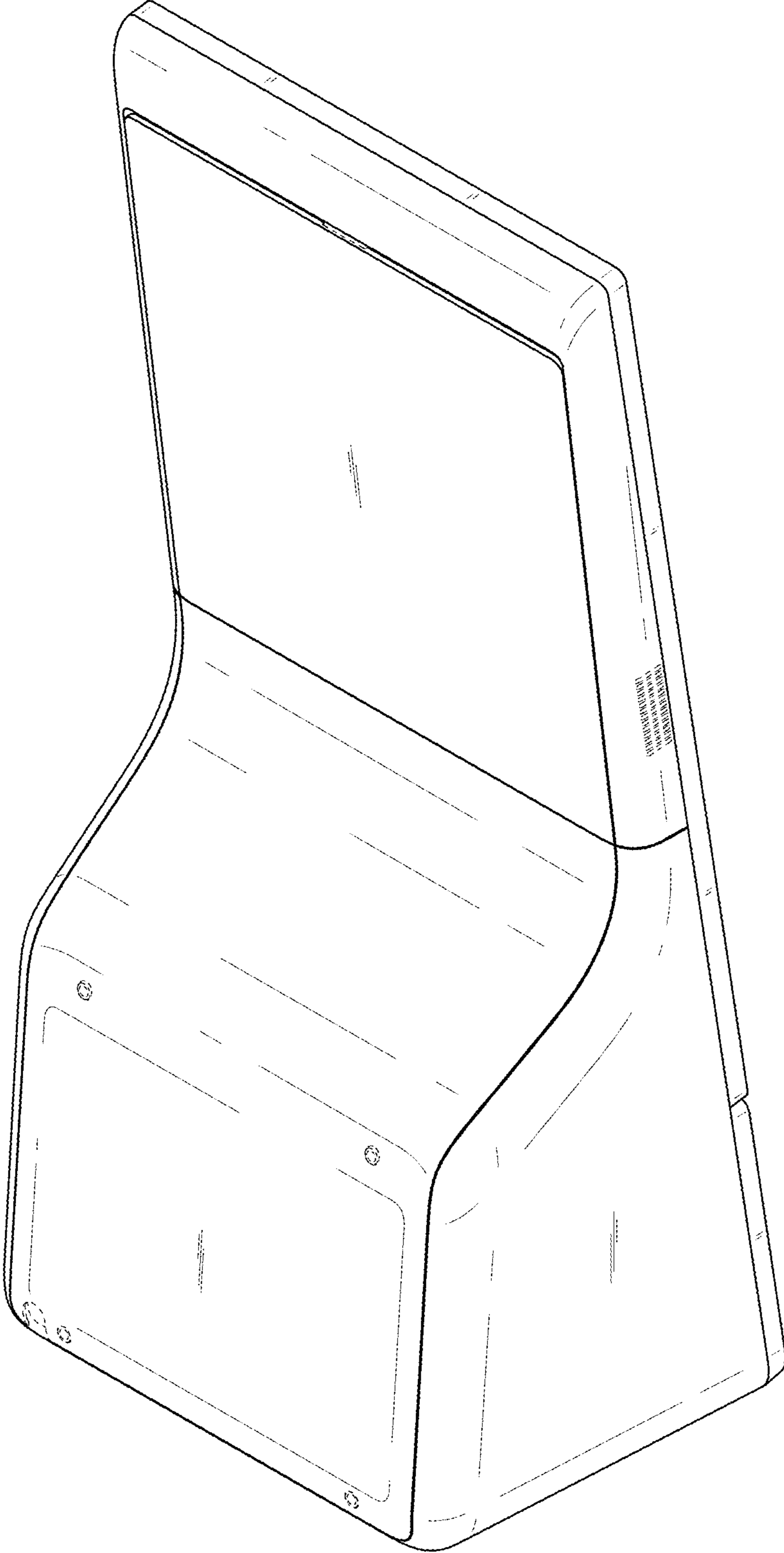


FIG. 9

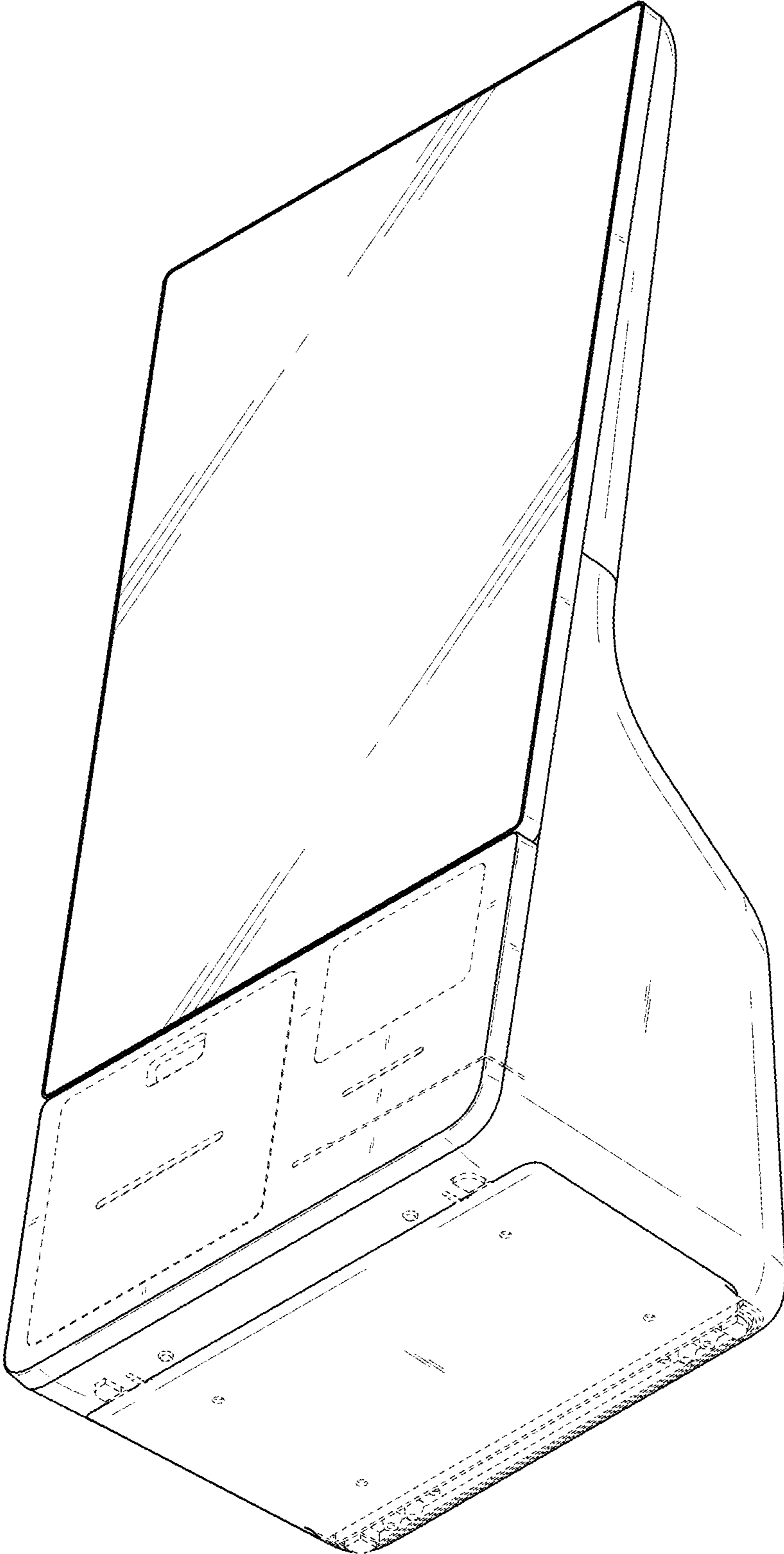


FIG. 10

