

US00D962218S

(12) **United States Design Patent** (10) **Patent No.:** **US D962,218 S**  
**Zhang et al.** (45) **Date of Patent:** **\*\* Aug. 30, 2022**

(54) **ELECTRONIC DEVICE HOLDER FOR VEHICLE**

FOREIGN PATENT DOCUMENTS

(71) Applicant: **UGREEN GROUP LIMITED**,  
Shenzhen (CN)  
(72) Inventors: **Qingsen Zhang**, Shenzhen (CN);  
**Junling Chen**, Shenzhen (CN); **Sinan Lin**,  
Shenzhen (CN)

CN	305956927	*	7/2019
CN	305434242	*	11/2019
CN	305479353	*	12/2019
CN	305485701	*	12/2019
CN	305981520	*	8/2020
EM	006647574-0001	*	7/2019
EM	007306410-0003	*	12/2019

(\*\*) Term: **15 Years**

OTHER PUBLICATIONS

(21) Appl. No.: **29/745,271**

UGREEN Car Phone Holder Air Vent Cell Phone Mount . . .  
[online]. Date First Available on Amazon Sep. 17, 2020. [Retrieved  
from the Internet Mar. 23, 2022.] <URL: [https://www.amazon.com/  
UGREEN-Mount-Holder-Gravity-Universal/dp/B08JBY53N3](https://www.amazon.com/UGREEN-Mount-Holder-Gravity-Universal/dp/B08JBY53N3) >.\*

(22) Filed: **Aug. 5, 2020**

(51) **LOC (13) Cl.** ..... **14-99**

(52) **U.S. Cl.**  
USPC ..... **D14/253**; D12/415

\* cited by examiner

*Primary Examiner* — Rebekah A Caruso

(58) **Field of Classification Search**  
USPC .... D14/251–253, 224, 224.1, 432–434, 447,  
D14/451, 452; D12/114, 415, 426.1, 223,  
D12/406, 407; D16/242, 244, 245;  
D3/218; D13/108  
CPC ..... B60R 11/00; B60R 11/02; B60R 11/0241;  
B60R 11/0252; B60R 2011/0003; B60R  
2011/0005; B60R 2011/0008; H04M  
1/04; F16M 11/00; F16M 11/04; F16M  
11/041; F16M 11/06; H05K 5/0204  
See application file for complete search history.

(57) **CLAIM**

The ornamental design for an electronic device holder for  
vehicle, as shown and described.

**DESCRIPTION**

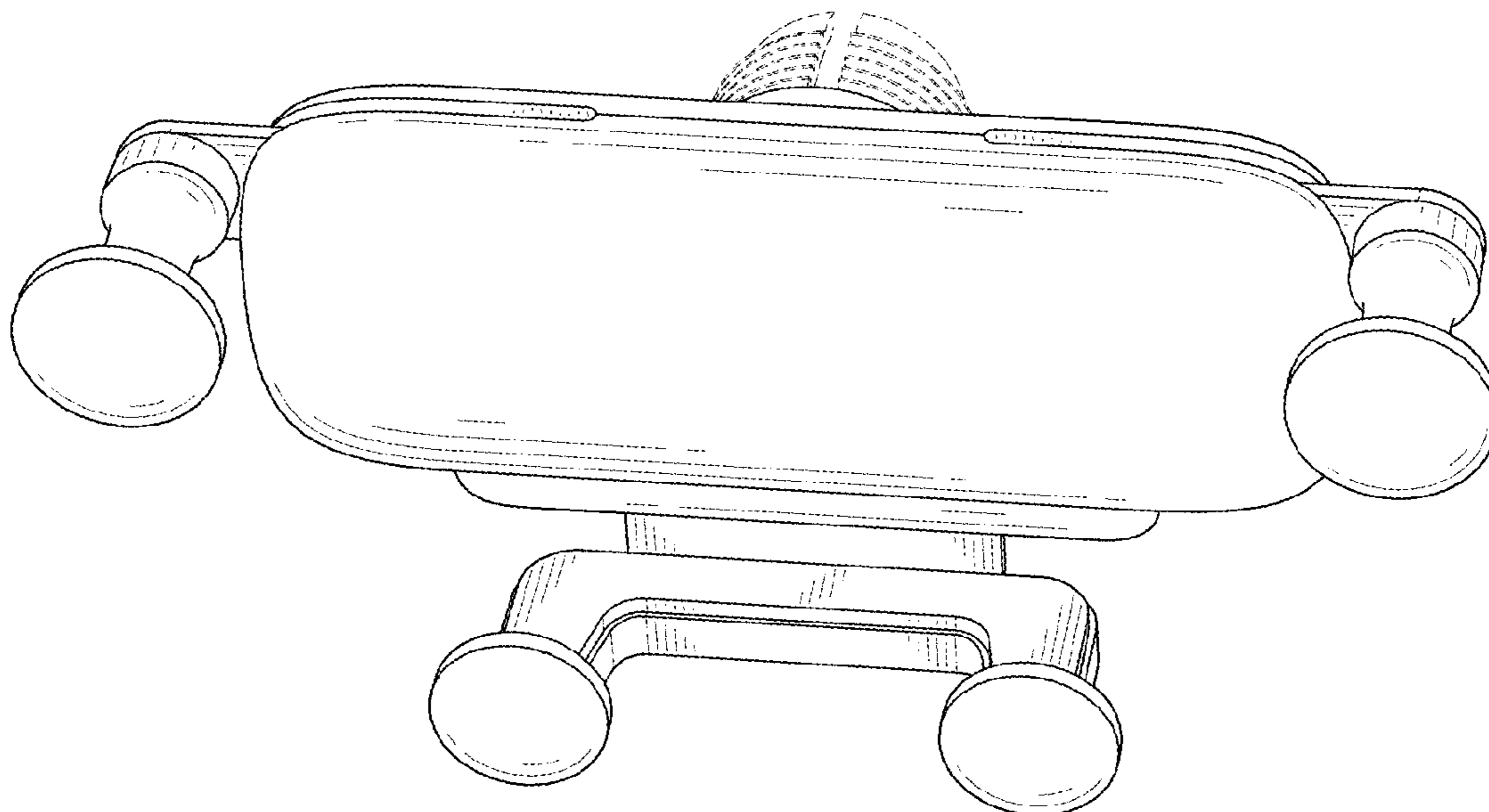
FIG. 1 is a front and top perspective view of an electronic  
device holder for vehicle, showing our new design;  
FIG. 2 is a front elevational view thereof;  
FIG. 3 is a rear elevational view thereof;  
FIG. 4 is a left side elevational view thereof;  
FIG. 5 is a right side elevational view thereof;  
FIG. 6 is a top plan view thereof; and,  
FIG. 7 is a bottom plan view thereof.  
The broken lines in the figures illustrate portions of the  
electronic device holder for vehicle that form no part of the  
claimed design.

(56) **References Cited**

U.S. PATENT DOCUMENTS

D570,836 S	*	6/2008	Chen	.....	D14/253
D646,315 S	*	10/2011	Orf	.....	D14/263
D703,657 S	*	4/2014	Carnevali	.....	D14/253
D852,188 S	*	6/2019	He	.....	D12/415
D896,215 S	*	9/2020	Li	.....	D14/253
D909,362 S	*	2/2021	Cheng	.....	D14/253
D931,185 S	*	9/2021	Zhang	.....	D12/415
D943,569 S	*	2/2022	Zhang	.....	D12/415

**1 Claim, 7 Drawing Sheets**



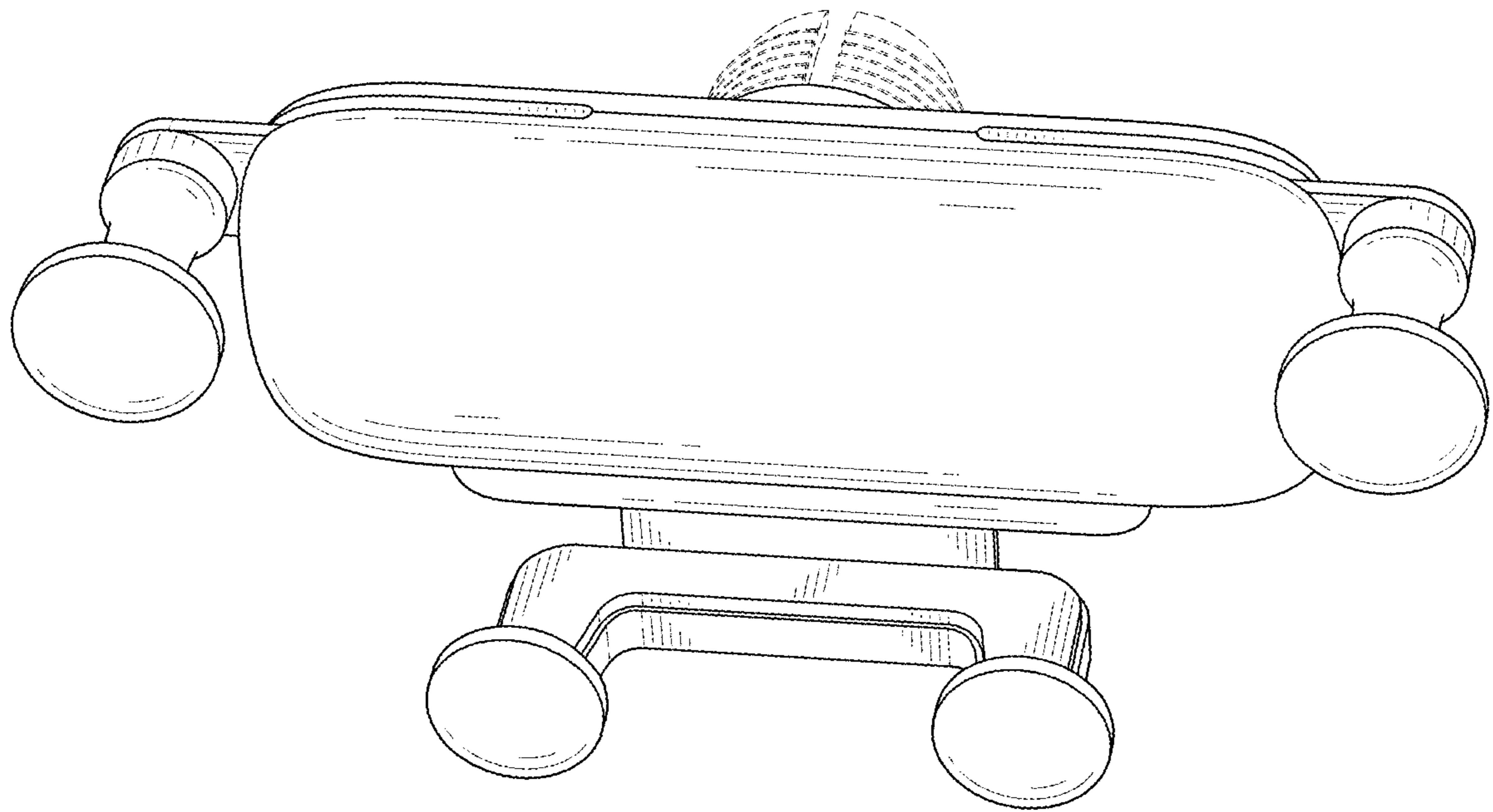


FIG. 1

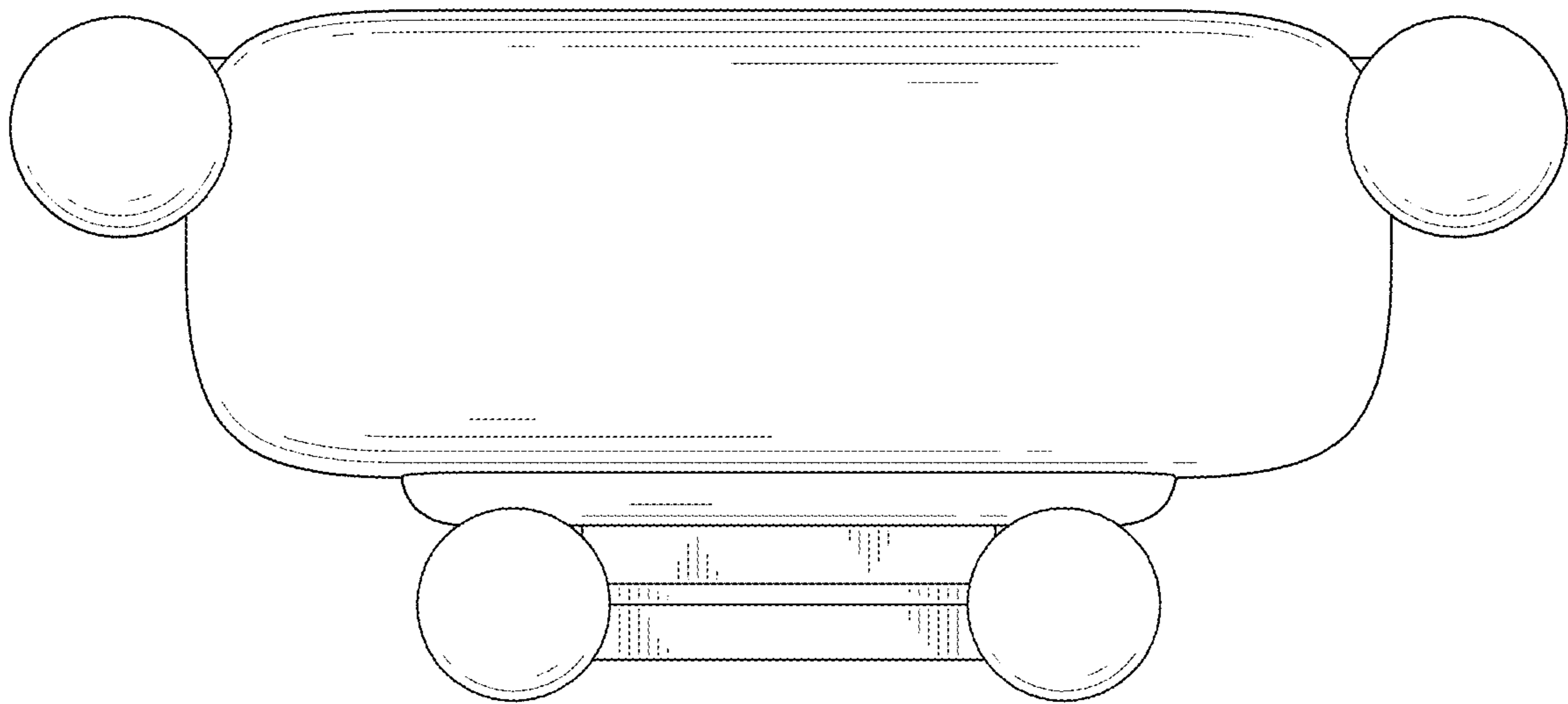


FIG. 2

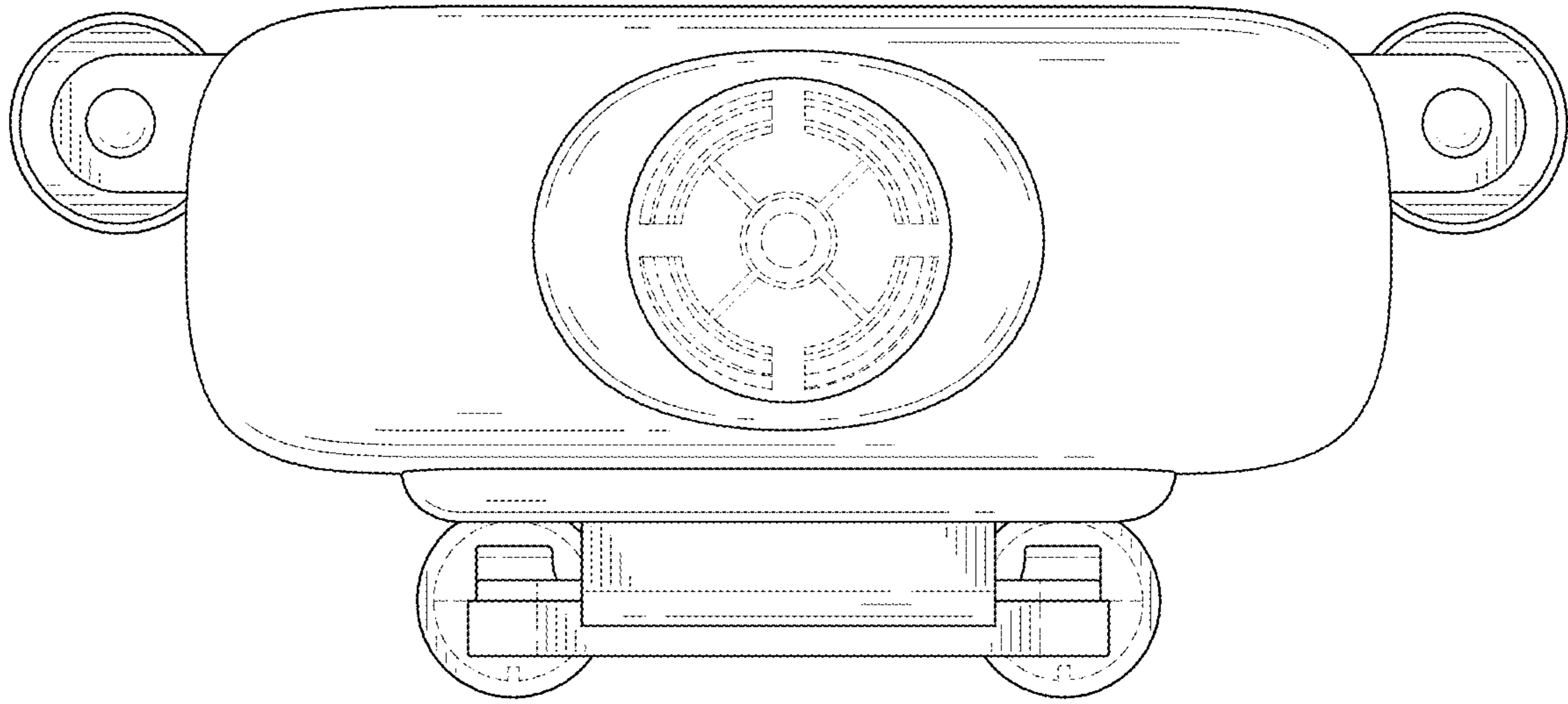


FIG. 3

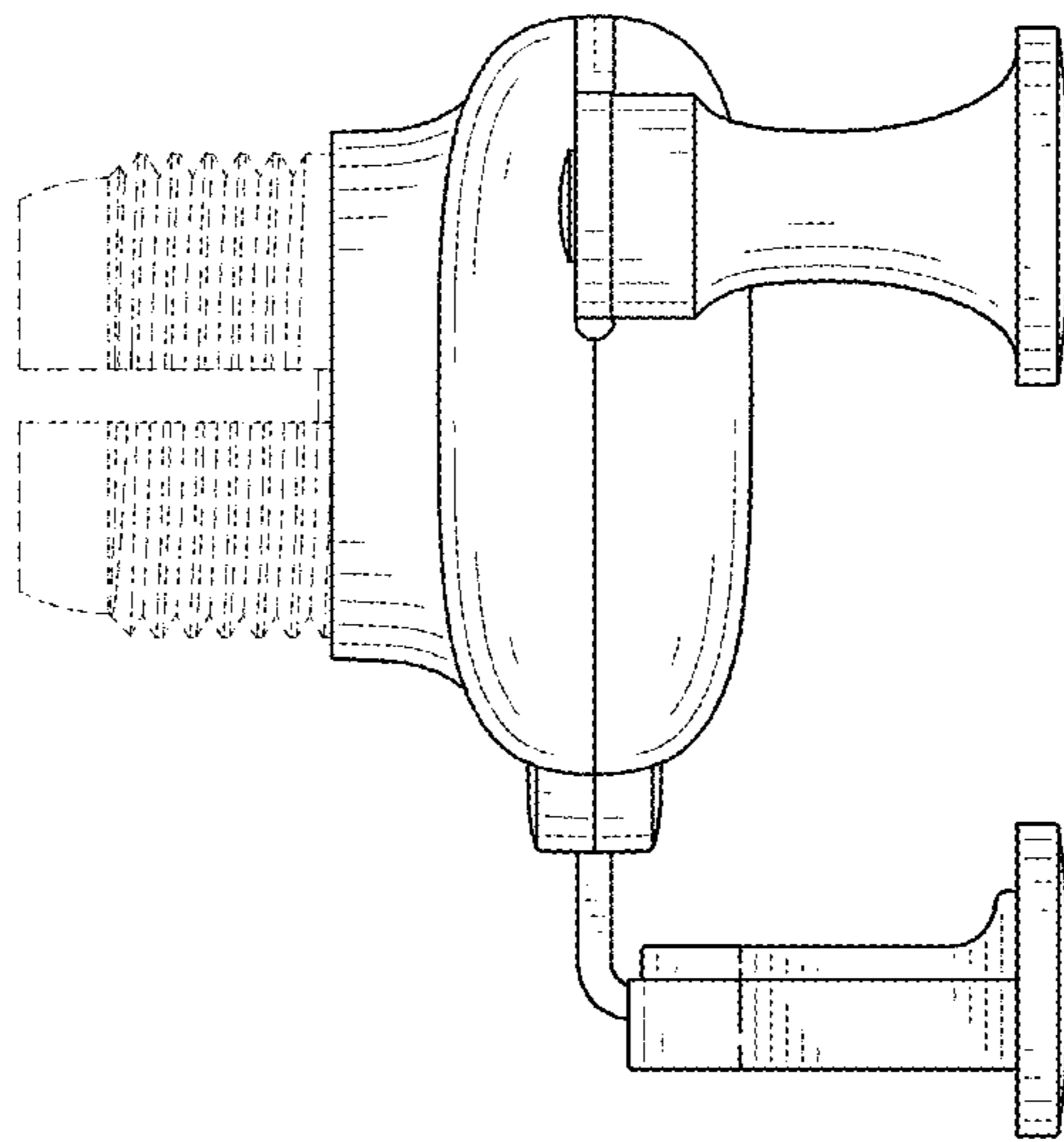


FIG. 4

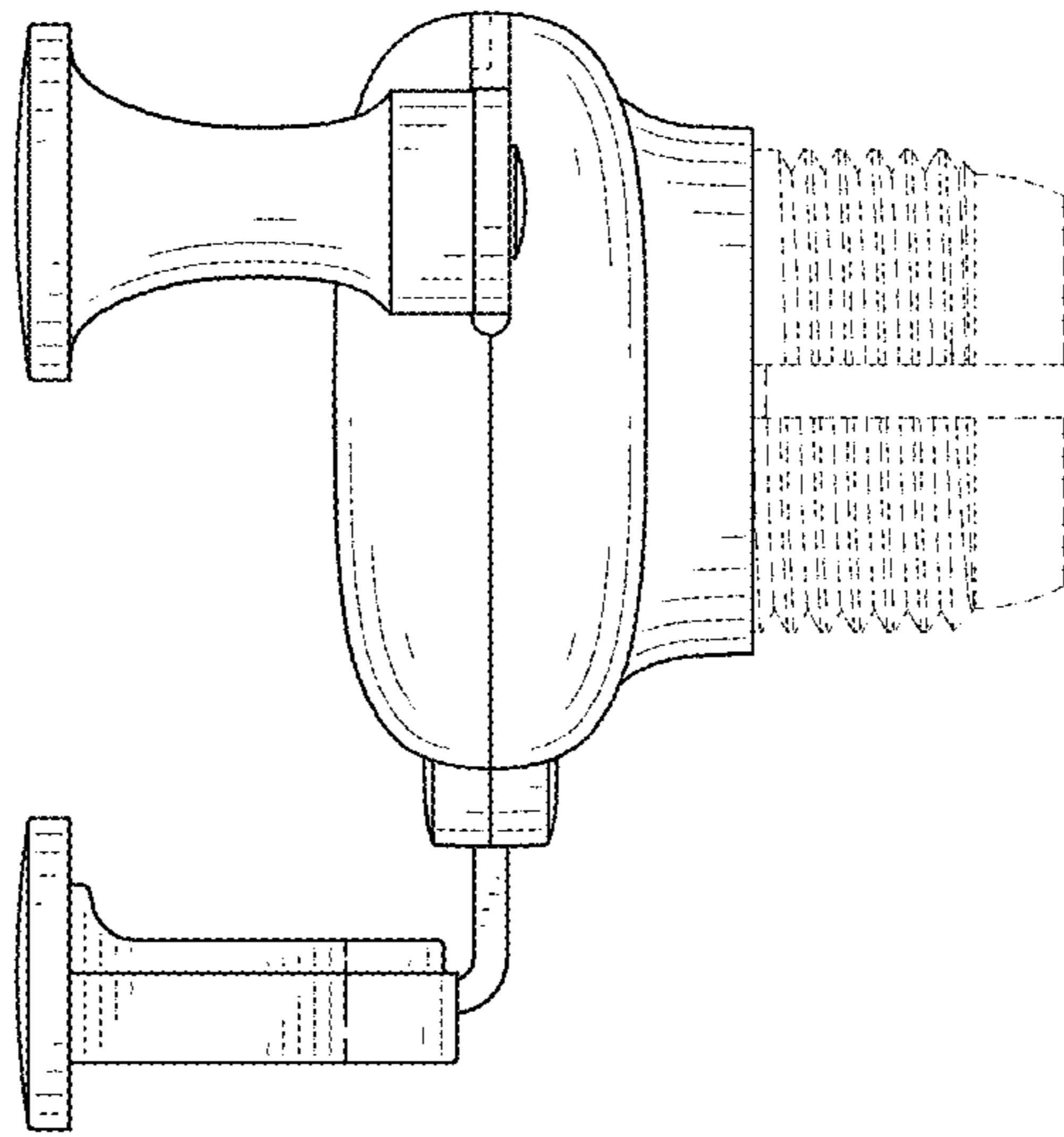


FIG. 5

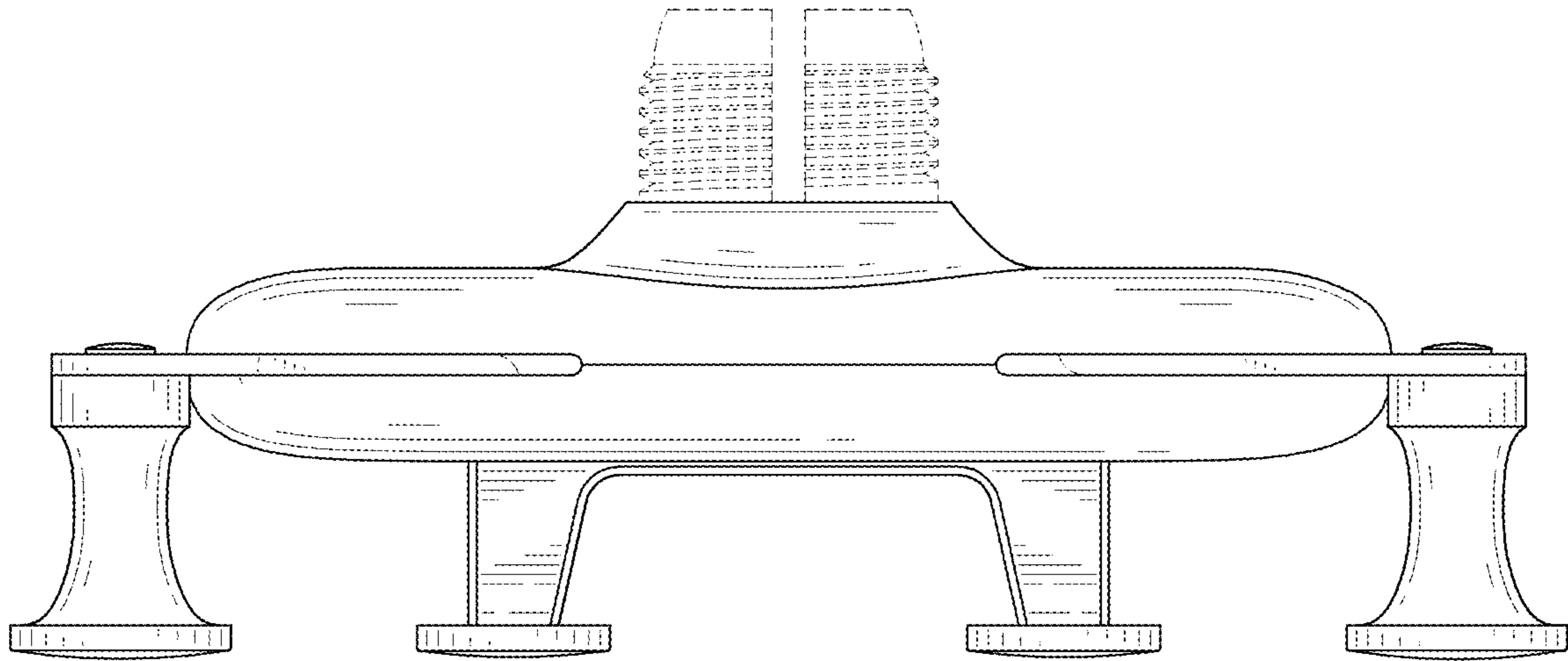


FIG. 6

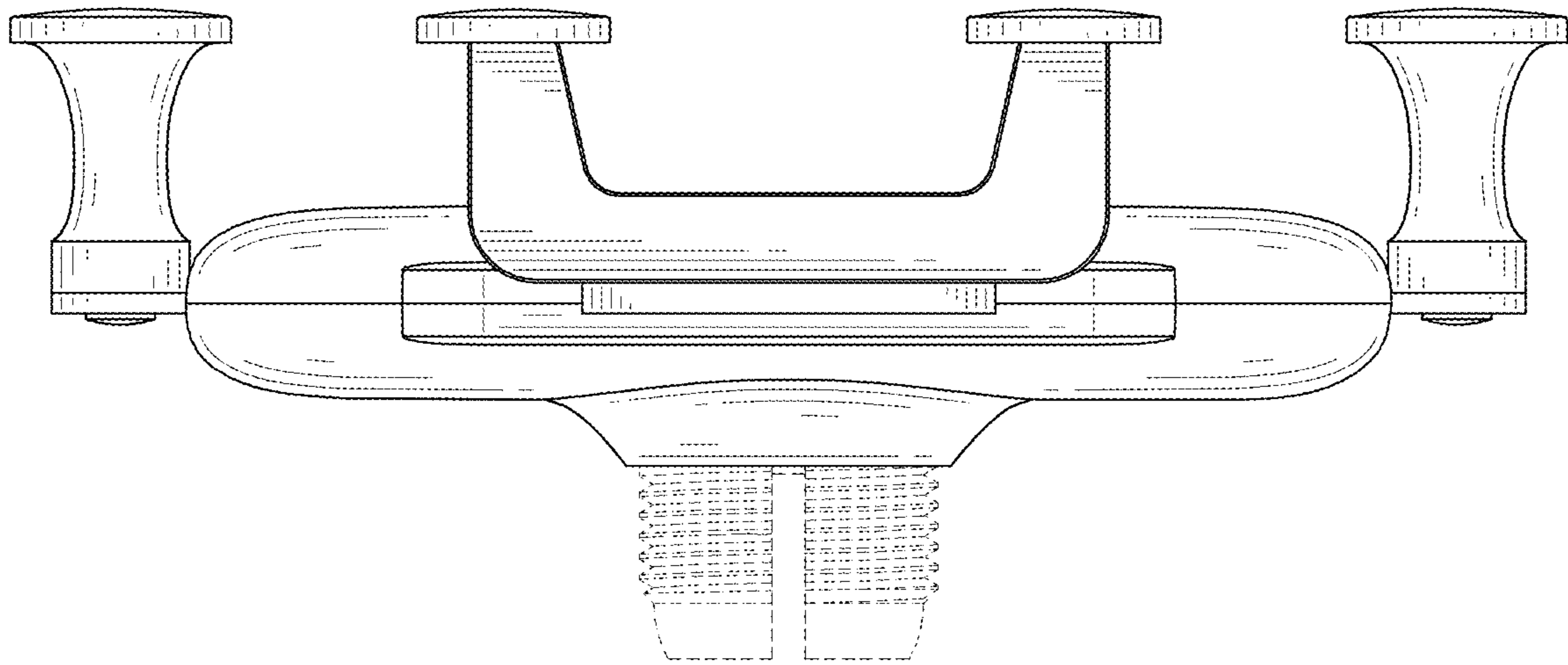


FIG. 7