

US00D962211S

(12) **United States Design Patent** (10) **Patent No.:** **US D962,211 S**
Homza et al. (45) **Date of Patent:** **** Aug. 30, 2022**

(54) **GATEWAY**

D872,039 S * 1/2020 Maletz D14/125
D885,028 S * 5/2020 Yu D2/959
D896,217 S * 9/2020 Jagers D14/300

(71) Applicant: **Comcast Cable Communications, LLC**, Philadelphia, PA (US)

(72) Inventors: **Henry Homza**, Philadelphia, PA (US);
Michael Jou, Philadelphia, PA (US);
Neil Epstein, Philadelphia, PA (US);
Nicholas Stefano, Haddon Heights, NJ (US)

(73) Assignee: **Comcast Cable Communications, LLC**, Philadelphia, PA (US)

(**) Term: **15 Years**

(21) Appl. No.: **29/731,966**

(22) Filed: **Apr. 20, 2020**

(51) **LOC (13) Cl.** **14-03**

(52) **U.S. Cl.**
USPC **D14/242**

(58) **Field of Classification Search**
USPC D10/46, 61, 65, 75, 104.1, 106.1, 121;
D13/108, 110, 123, 125, 133, 152, 154,
D13/162, 184, 199; D14/240, 242, 137,
D14/146, 160, 168, 179, 188, 217, 221,
D14/243, 245, 265, 300, 302, 356, 433,
D14/435, 496
CPC H04M 1/00; H04W 88/12
See application file for complete search history.

(56) **References Cited**

U.S. PATENT DOCUMENTS

D574,339 S * 8/2008 Honjo D13/182
D788,051 S * 5/2017 Besterman D13/184

OTHER PUBLICATIONS

[Free Upgrade Your Router], announced in YouTube on Apr. 28, 2021 [online], [site visited Nov. 12, 2021], Available from the internet URL: <https://www.youtube.com/watch?v=xXqznSIDHU> (Year: 2021).*

* cited by examiner

Primary Examiner — Khawaja Anwar

Assistant Examiner — Megan Tiana Rakos

(74) *Attorney, Agent, or Firm* — Banner & Witcoff, Ltd.

(57) **CLAIM**

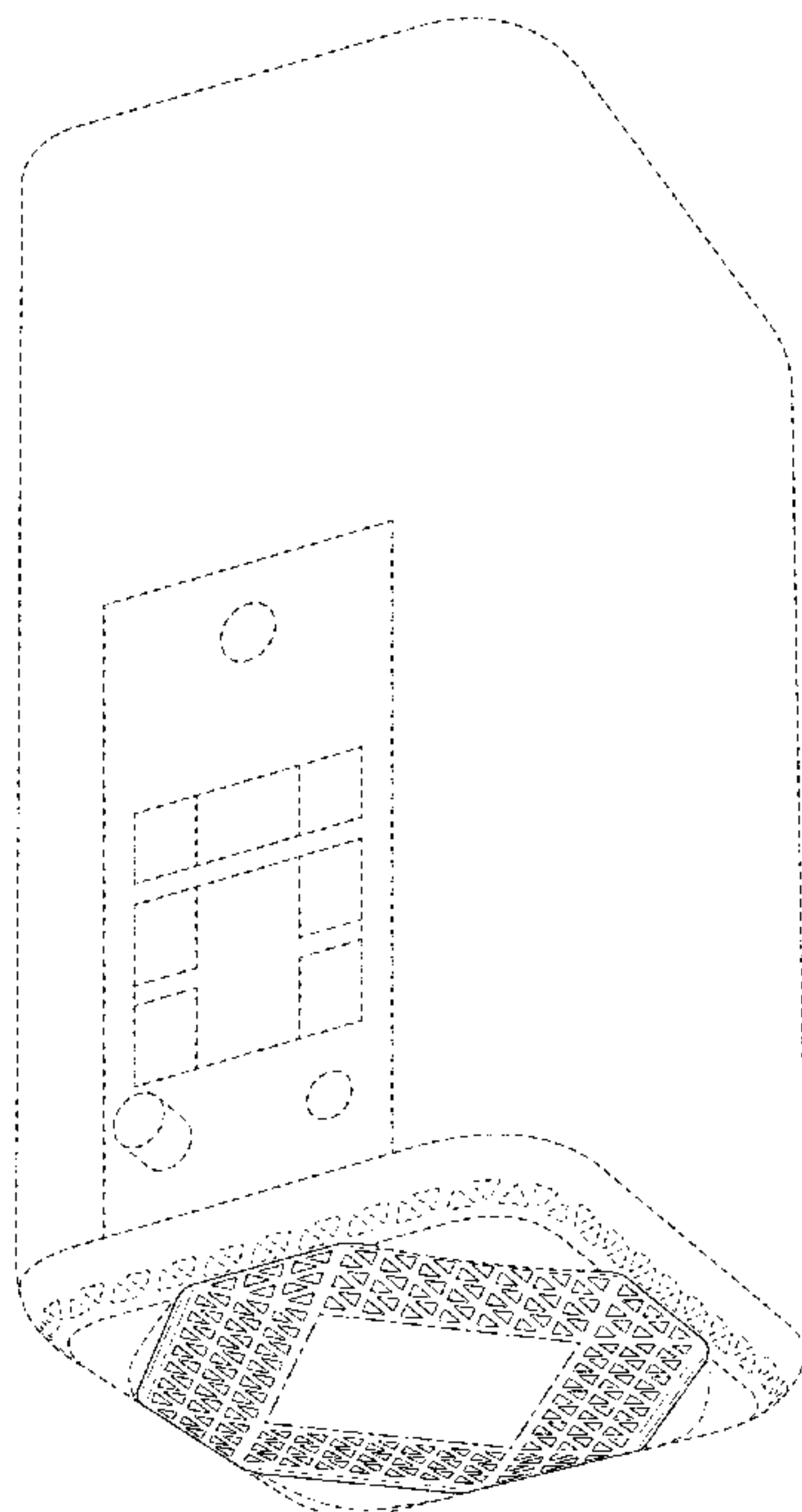
The ornamental design for a gateway, as shown and described.

DESCRIPTION

FIG. 1 is a rear bottom perspective view of a gateway showing our new design;
FIG. 2 is a bottom view thereof;
FIG. 3 is a front view thereof;
FIG. 4 is a rear view thereof;
FIG. 5 is a right side view thereof; and,
FIG. 6 is a left side view thereof.

The unshaded areas, including those unshaded areas within the triangular shapes on the bottom of the device, form no part of the claimed design. The uneven-length broken lines immediately adjacent to the shaded area represent the bounds of the claimed design and forms no part thereof. The even-length broken lines depicting the remainder of the gateway form no part of the claimed design.

1 Claim, 6 Drawing Sheets



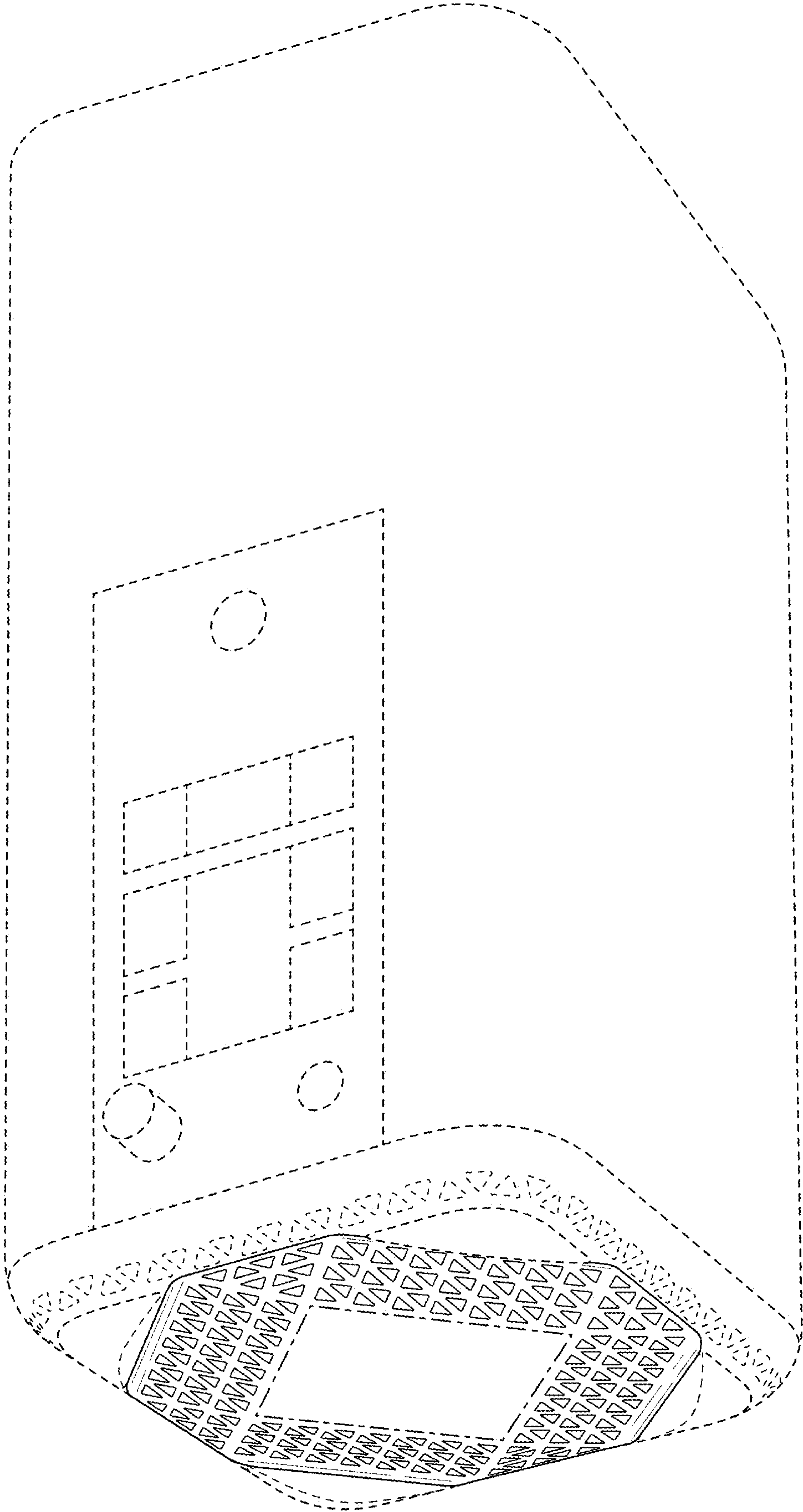


FIG. 1

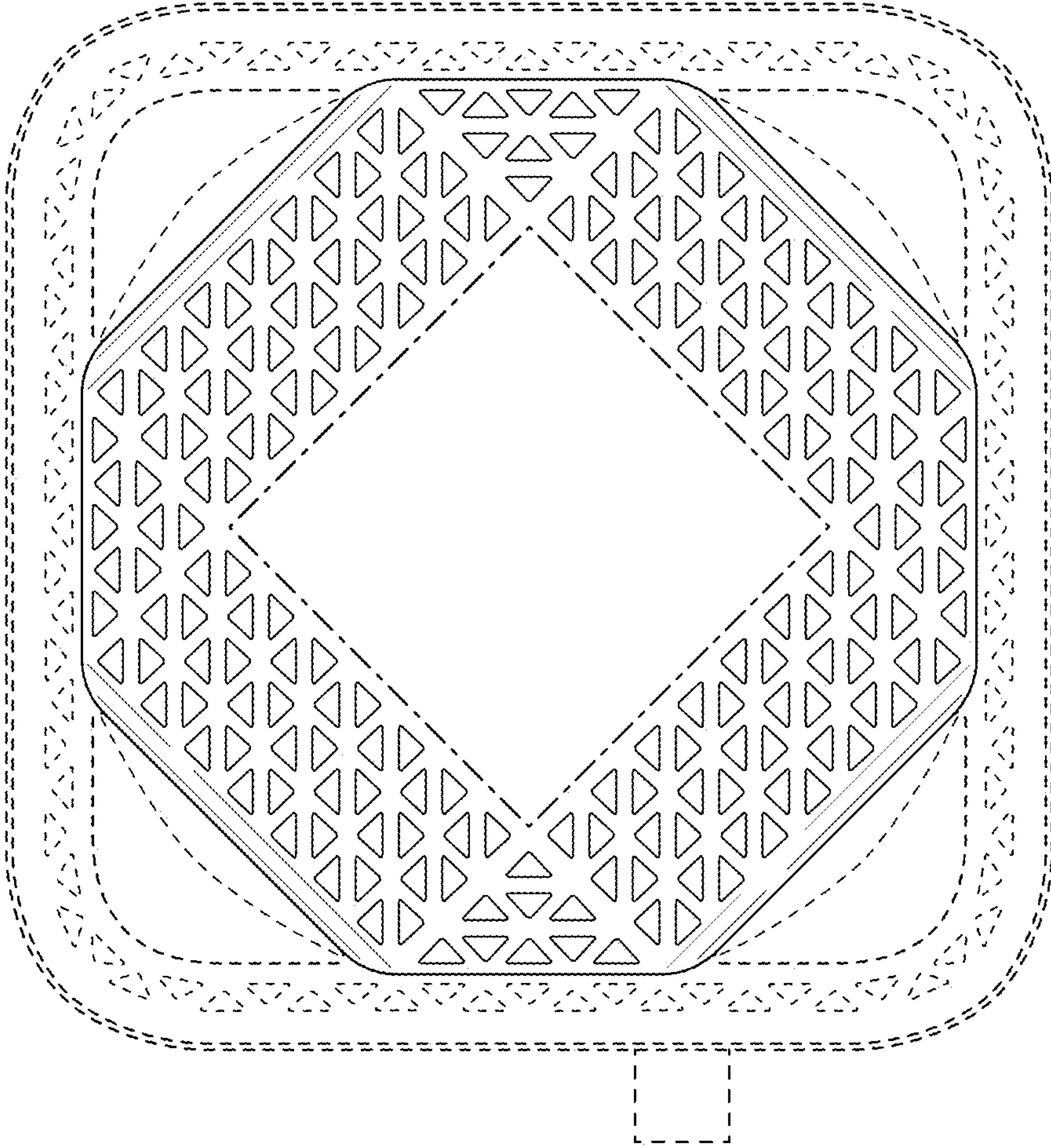


FIG. 2



FIG. 3

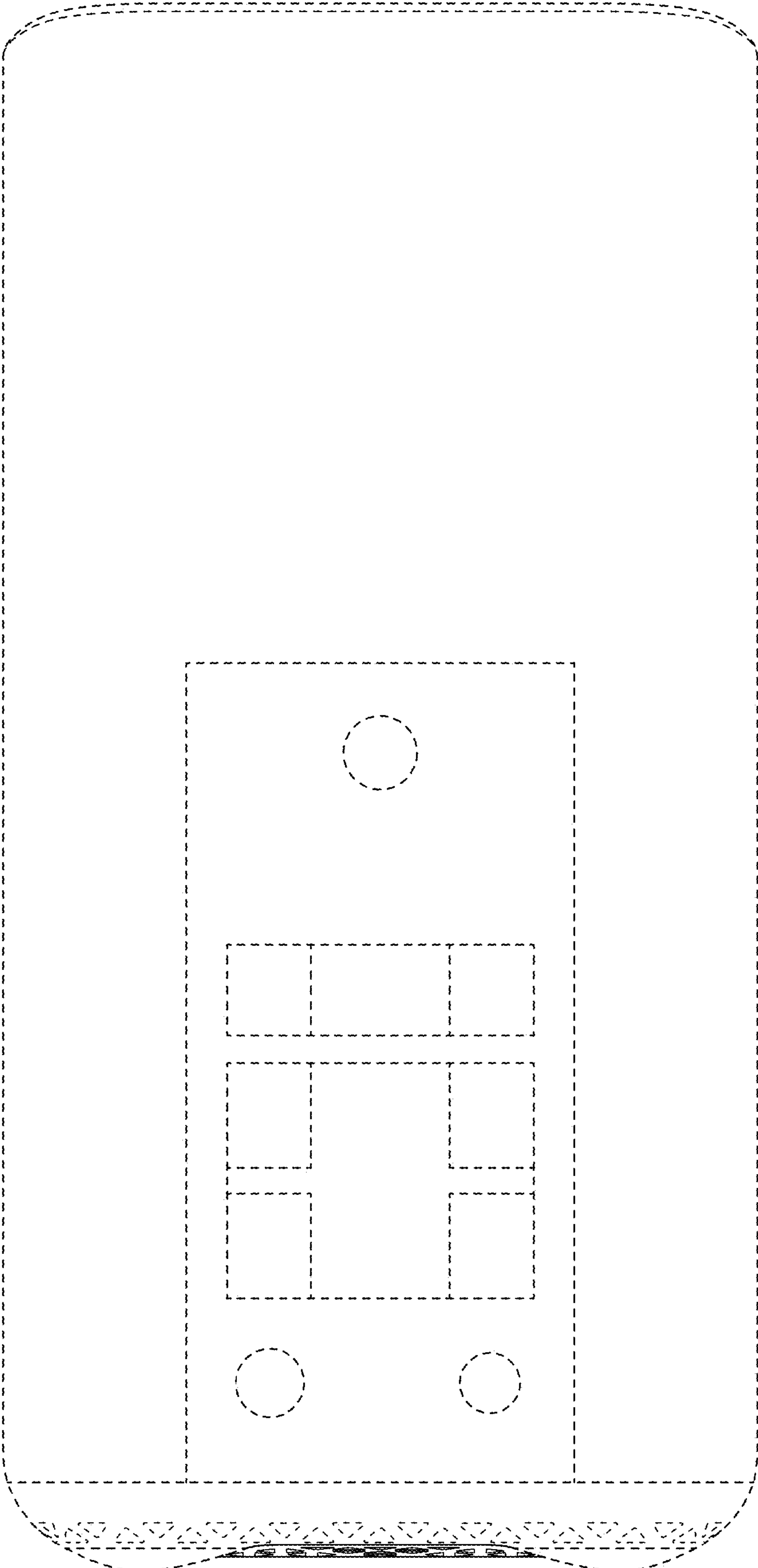


FIG. 4

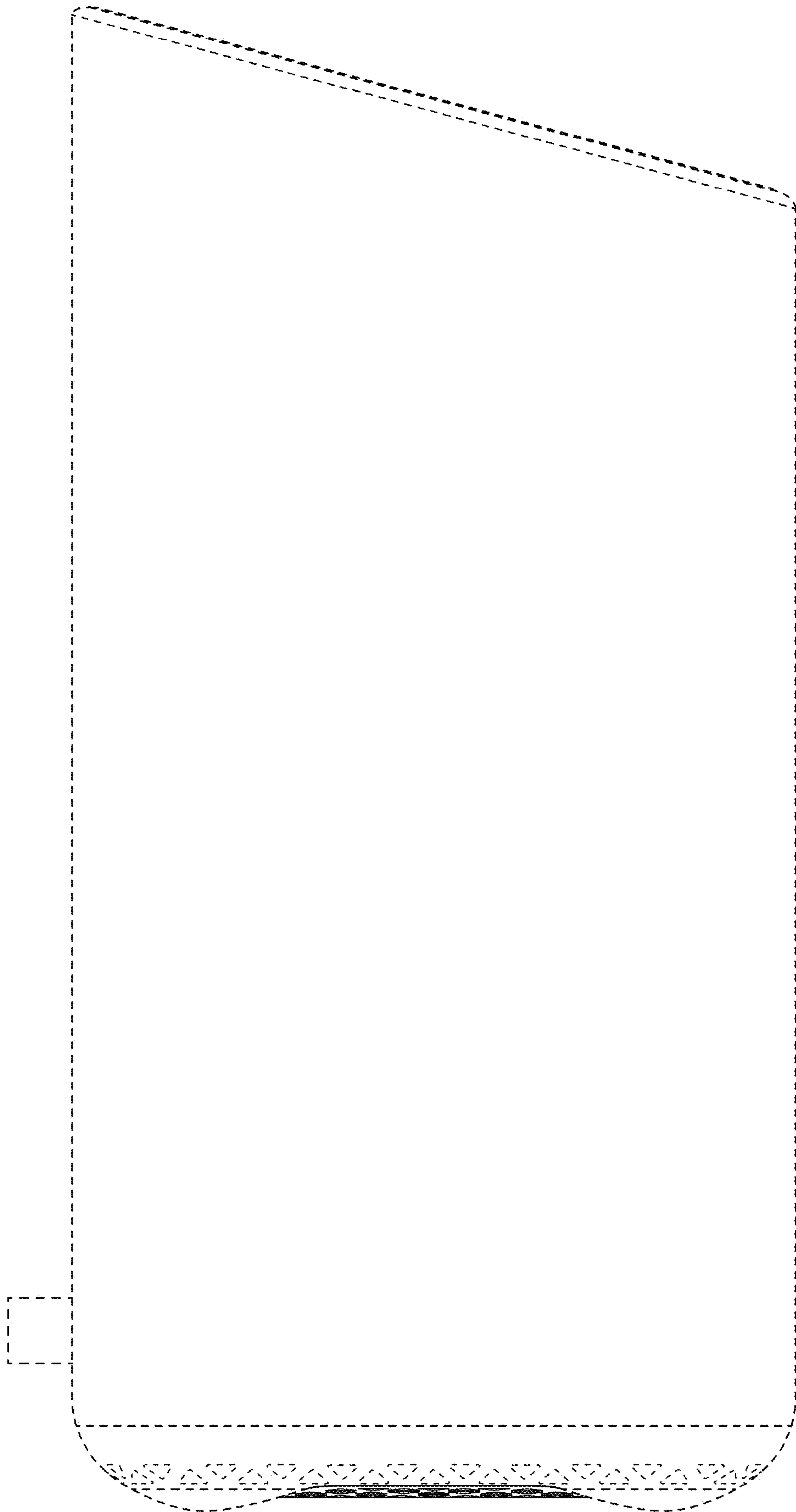


FIG. 5



FIG. 6