



US00D962210S

(12) **United States Design Patent** (10) **Patent No.:** **US D962,210 S**  
**Shimada et al.** (45) **Date of Patent:** **\*\* Aug. 30, 2022**

(54) **ANTENNA FOR WIRELESS TAG**  
(71) Applicant: **DAIO PAPER CORPORATION**,  
Ehime (JP)  
(72) Inventors: **Takuro Shimada**, Shikokuchuo (JP);  
**Alina Bista**, Shikokuchuo (JP)  
(73) Assignee: **DAIO PAPER CORPORATION**,  
Ehime (JP)  
(\*\*) Term: **15 Years**

D558,191 S \* 12/2007 Pempsell ..... D14/233  
D574,370 S \* 8/2008 Oliver ..... D14/230  
D591,734 S \* 5/2009 Karakama ..... D14/230  
D620,484 S \* 7/2010 Oliver ..... D14/230  
D659,684 S \* 5/2012 Karakama ..... D14/230  
D713,394 S \* 9/2014 Forster ..... D14/230  
D716,774 S \* 11/2014 Forster ..... D14/230  
D719,937 S \* 12/2014 Forster ..... D14/230  
D743,400 S \* 11/2015 Takahashi ..... B41J 2/17546  
D13/182  
D754,861 S \* 4/2016 O'Driscoll ..... D16/101  
D799,455 S \* 10/2017 Forster ..... D14/230  
D801,319 S \* 10/2017 Forster ..... D14/230  
D802,568 S \* 11/2017 Manivannan ..... D14/230

(Continued)

(21) Appl. No.: **35/513,043**

(22) Filed: **May 27, 2021**

*Primary Examiner* — L. A. Grabenstetter  
(74) *Attorney, Agent, or Firm* — Andrus Intellectual  
Property Law, LLP

(80) **Hague Agreement Data**

Int. Filing Date: **May 27, 2021**  
Int. Reg. No.: **DM/214946**  
Int. Reg. Date: **May 27, 2021**  
Int. Reg. Pub. Date: **Dec. 3, 2021**

(57) **CLAIM**

The ornamental design for an antenna for wireless tag, as shown and described.

(30) **Foreign Application Priority Data**

Dec. 16, 2020 (JP) ..... 2020-027105 D

(51) **LOC (13) Cl.** ..... **14-03**

(52) **U.S. Cl.**  
USPC ..... **D14/230; D10/106.9**

(58) **Field of Classification Search**  
USPC ..... D14/230, 232, 233, 234, 236, 435,  
D14/436-439; D20/11, 22, 23;  
D10/104.2, 106.9, 106.91  
CPC ..... A61N 1/16; A47C 31/004; H05K 9/00;  
H05K 9/0086

See application file for complete search history.

**DESCRIPTION**

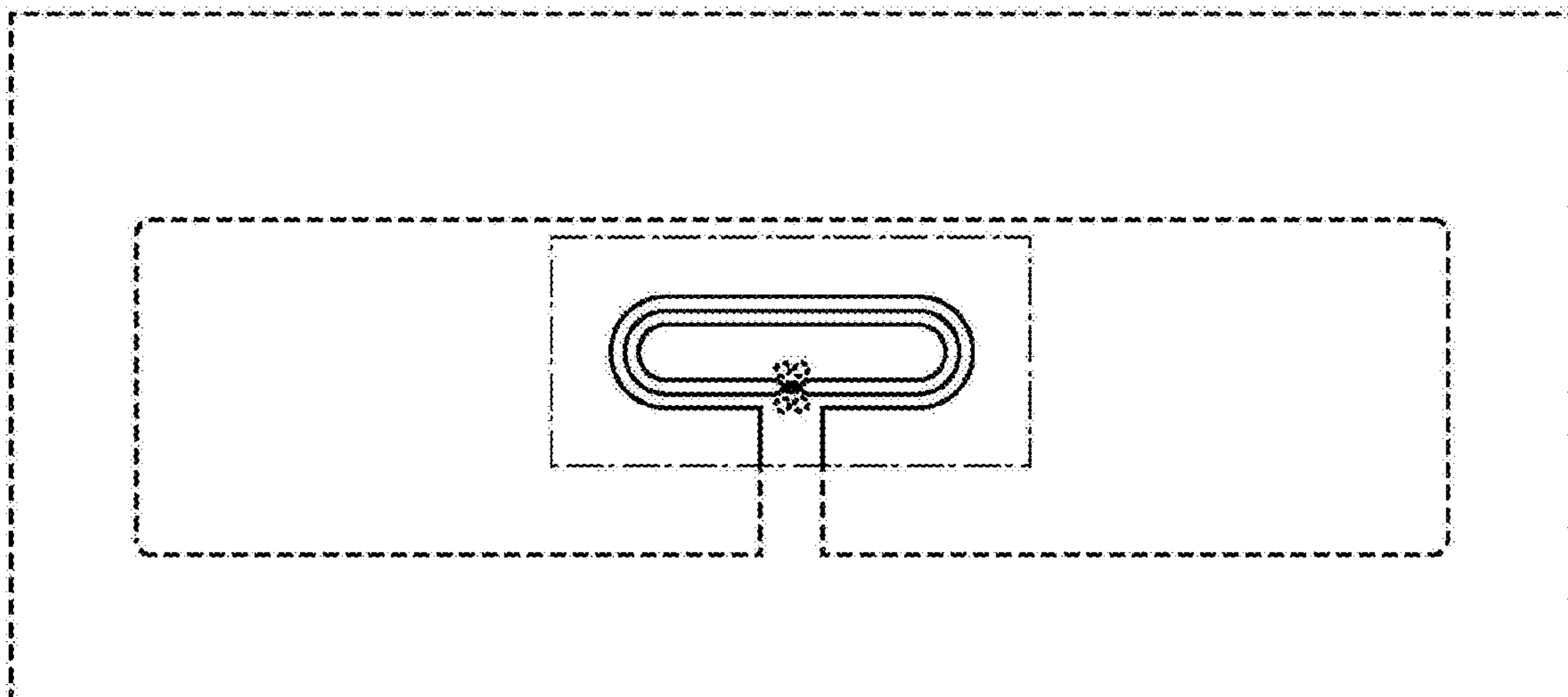
1. Antenna for wireless tag  
**1.1** : Top view, the Bottom view being a mirror image thereof  
**1.2** : Partial enlargement taken from the top view of reproduction **1.1**  
The portions shown in solid lines are the portions for which the design registration is sought; the portions shown by means of dashed broken lines illustrate portions of the article that form no part of the claimed design; the dashed-dotted broken lines illustrate boundaries of the claimed designs and form no part thereof; the front view, the back view, the left view, and the right view are omitted because the product is a two-dimensional physical product; the bottom view is omitted because it is a mirror image of the top view; reproduction **1.2** is a partially enlarged top view showing the middle portion of the claimed design shown in reproduction **1.1**.

(56) **References Cited**

**U.S. PATENT DOCUMENTS**

3,261,019 A \* 7/1966 Lundy ..... H01Q 1/44  
343/742  
D546,819 S \* 7/2007 Oliver ..... D14/230

**1 Claim, 2 Drawing Sheets**



(56)

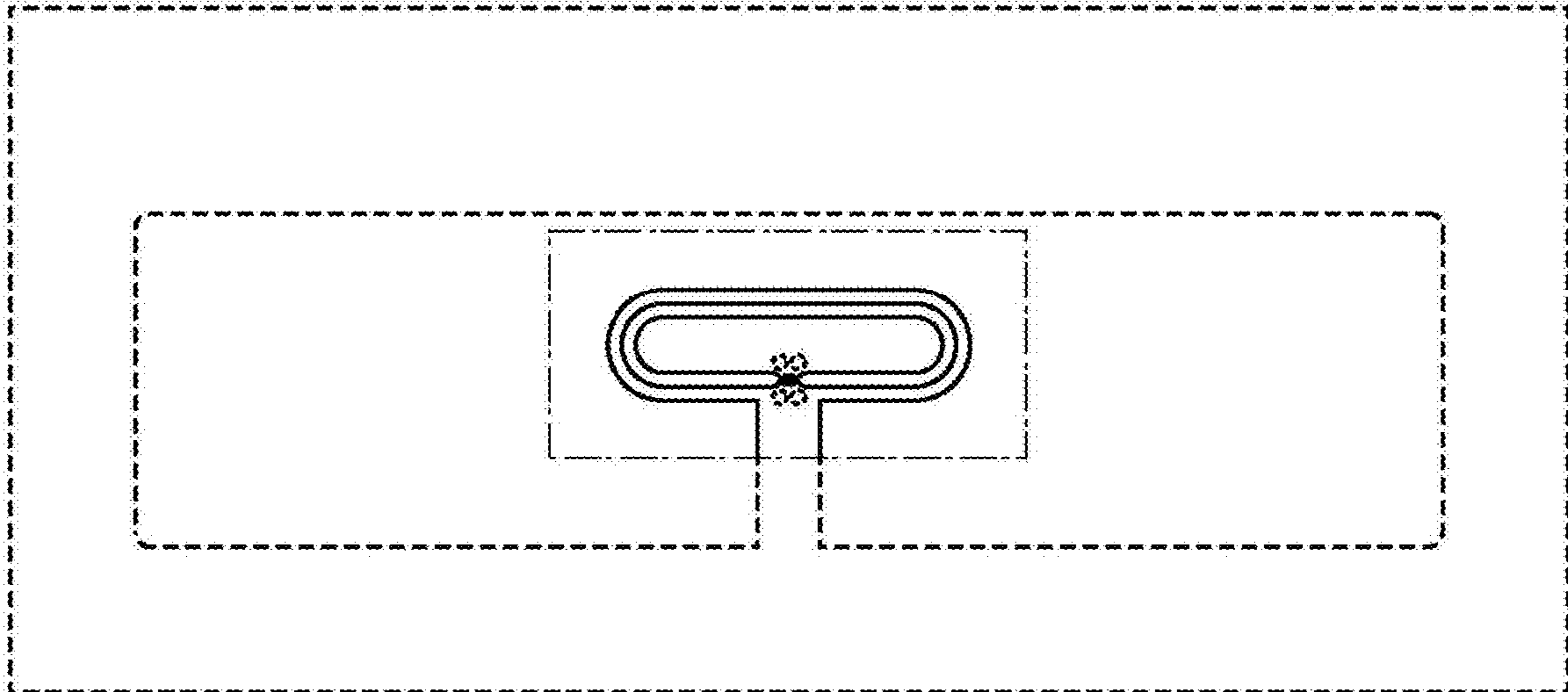
**References Cited**

U.S. PATENT DOCUMENTS

D814,447 S	*	4/2018	Forster .....	D14/230
D819,608 S	*	6/2018	Manivannan .....	D14/230
D830,350 S	*	10/2018	Forster .....	D14/230
D840,984 S	*	2/2019	Howard .....	D14/230
D849,723 S	*	5/2019	Ali .....	D14/230
D907,015 S	*	1/2021	Atojoko .....	D14/230
D909,999 S	*	2/2021	Zhou .....	D14/230

\* cited by examiner

1.1



1.2

