



US00D962208S

(12) **United States Design Patent** (10) **Patent No.:** **US D962,208 S**  
**Marco et al.** (45) **Date of Patent:** **\*\* Aug. 30, 2022**

(54) **ANTENNA**  
(71) Applicant: **Hubbell Incorporated (Delaware)**,  
Shelton, CT (US)  
(72) Inventors: **Chris Marco**, San Antonio, TX (US);  
**Carter J. Burke**, McQueeney, TX (US)  
(73) Assignee: **Hubbell Incorporated**, Shelton, CT  
(US)  
(\*\*) Term: **15 Years**  
(21) Appl. No.: **29/822,131**  
(22) Filed: **Jan. 6, 2022**

D515,075 S 2/2006 Kusanagi  
D516,061 S 2/2006 Wang  
D525,239 S 7/2006 Lai  
D531,173 S 10/2006 Aizawa  
D531,625 S 11/2006 Hori  
D535,981 S 1/2007 Park  
D535,982 S \* 1/2007 Inoue ..... D14/230  
D565,035 S \* 3/2008 Takisawa ..... D14/230  
D580,939 S 11/2008 Fitch  
D614,610 S \* 4/2010 Sala ..... D14/230  
D618,223 S \* 6/2010 Tsai ..... D14/230  
D618,240 S 6/2010 Larmour  
D626,126 S 10/2010 Park  
D669,081 S 10/2012 Iwai  
D717,243 S \* 11/2014 Liu ..... D13/103  
D718,735 S 12/2014 Lockenwitz  
D722,018 S \* 2/2015 Wang ..... D13/103  
D725,591 S \* 3/2015 Chien ..... D13/103  
D730,328 S 5/2015 Chun  
D732,512 S 6/2015 Fariello

(Continued)

**Related U.S. Application Data**

(62) Division of application No. 29/764,900, filed on Jan. 4, 2021, now Pat. No. Des. 943,560, which is a division of application No. 29/650,771, filed on Jun. 8, 2018, now Pat. No. Des. 909,348.  
(51) **LOC (13) Cl.** ..... **14-03**  
(52) **U.S. Cl.**  
USPC ..... **D14/230**  
(58) **Field of Classification Search**  
USPC ..... D14/230, 433, 435; D13/107-108  
CPC ..... A62C 13/78  
See application file for complete search history.

**FOREIGN PATENT DOCUMENTS**

CN 305813105 5/2020  
JP D1560676 9/2019

*Primary Examiner* — John R Yeh  
(74) *Attorney, Agent, or Firm* — Ruggiero McAllister & McMahon LLC

(57) **CLAIM**

The ornamental design for an antenna, as shown and described.

(56) **References Cited**

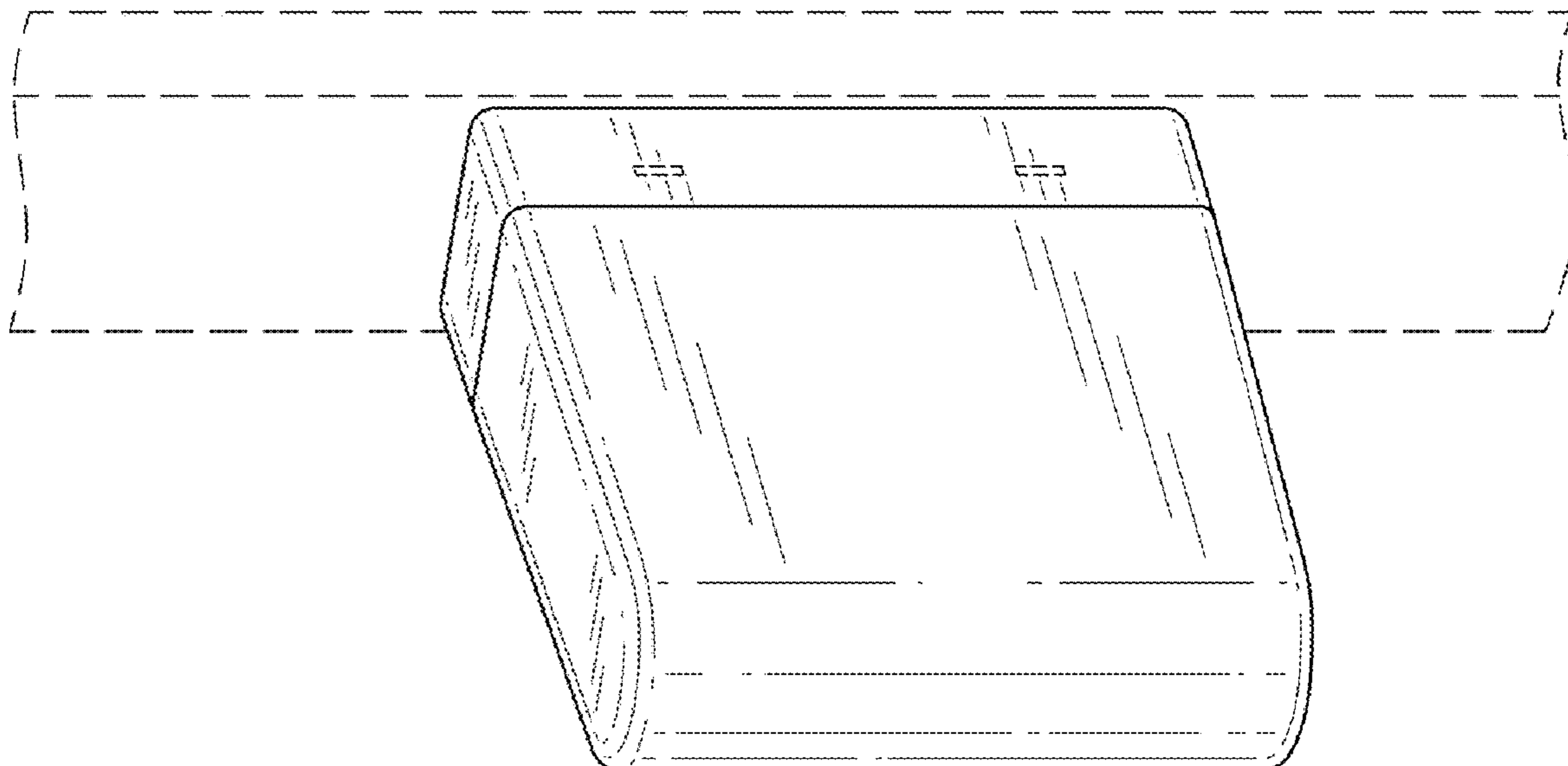
**U.S. PATENT DOCUMENTS**

D245,701 S 9/1977 Kinsinger  
D302,159 S 7/1989 Chin  
D308,521 S 6/1990 Lonczak  
D345,564 S 3/1994 Kadono  
D347,637 S 6/1994 Burghardt  
D354,060 S 1/1995 Witzky  
D400,887 S 11/1998 Guttadauro  
D510,929 S 10/2005 Laverick

**DESCRIPTION**

FIG. 1 is a front, top perspective view for an antenna according to the present disclosure; and, FIG. 2 is a front, bottom perspective view thereof. The broken lines in the drawings depict portions and environments of the antenna that form no part of the claimed design.

**1 Claim, 2 Drawing Sheets**



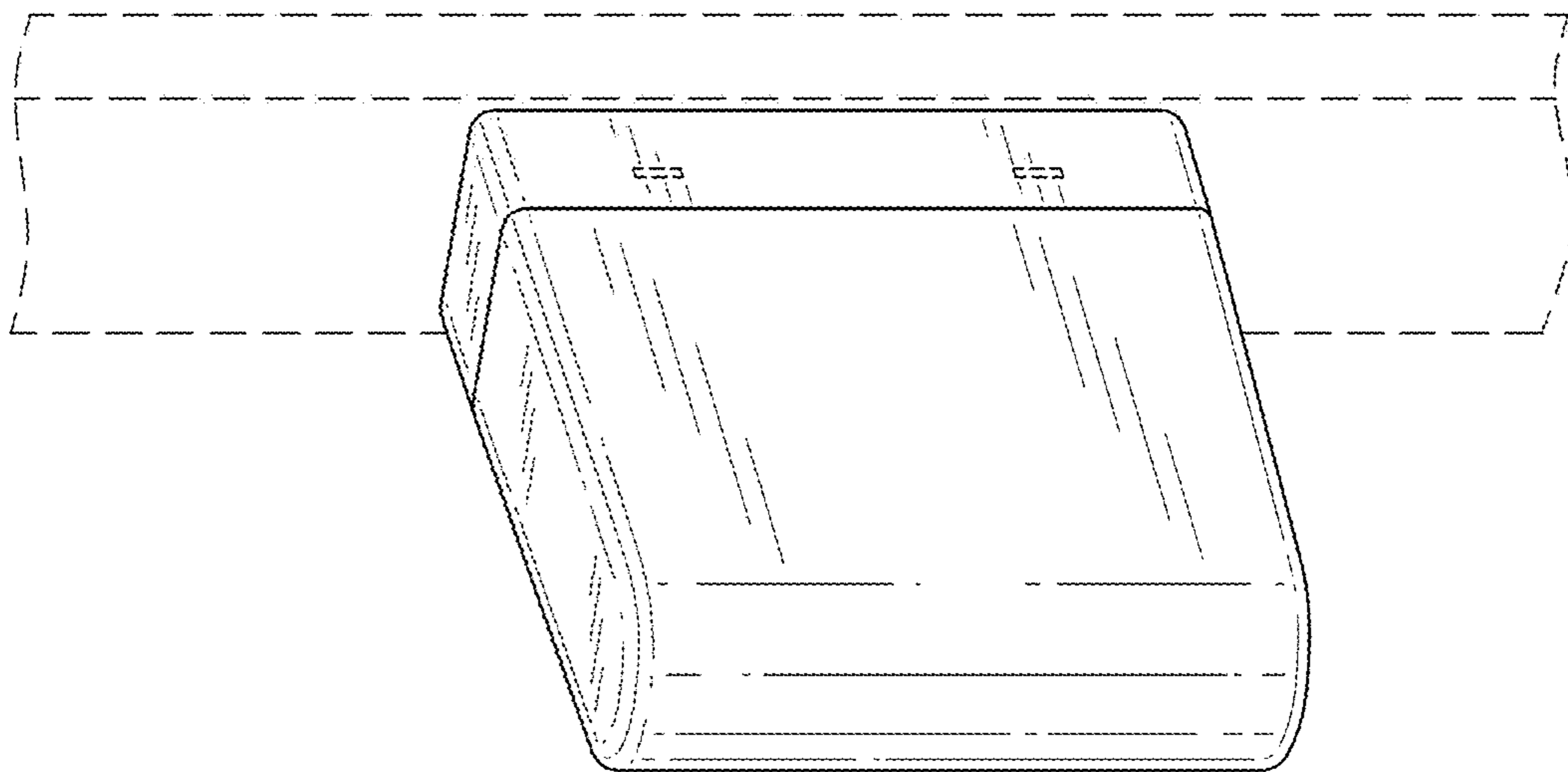
(56)

**References Cited**

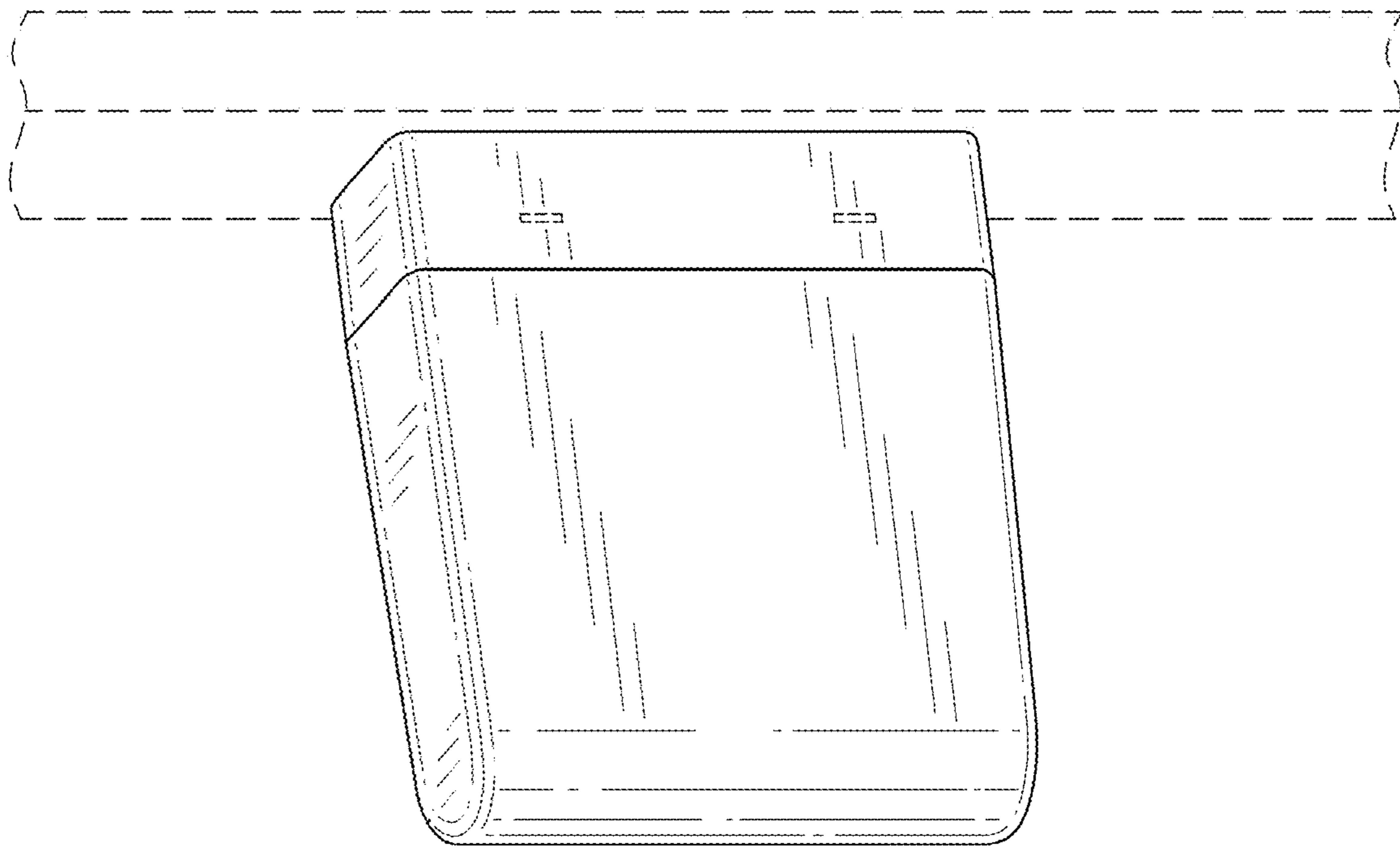
## U.S. PATENT DOCUMENTS

D774,023	S	*	12/2016	Fariello	.....	D14/230
D787,441	S	*	5/2017	Lee	.....	D13/108
D788,036	S	*	5/2017	Wang	.....	D13/108
D788,746	S	*	6/2017	Matsuoka	.....	D14/230
D789,885	S	*	6/2017	Yue	.....	D13/107
D790,458	S	*	6/2017	He	.....	D13/108
D791,748	S		7/2017	Bellows		
D808,938	S	*	1/2018	Gomez	.....	D14/230
D833,411	S		11/2018	Castle		
D846,536	S	*	4/2019	Ebrahimi Afrouzi	.....	D14/230
D862,383	S	*	10/2019	Surbeck	.....	D13/107
D871,324	S	*	12/2019	Roberts	.....	D13/103
D875,086	S	*	2/2020	Ahman	.....	D14/230
D876,402	S	*	2/2020	Liu	.....	D14/230
D883,925	S	*	5/2020	Yoon	.....	D13/108
D901,462	S		11/2020	Oba		
D902,189	S	*	11/2020	Yang	.....	D14/230
D902,894	S	*	11/2020	Yang	.....	D14/230
D902,895	S	*	11/2020	Yang	.....	D14/230
D927,467	S		8/2021	Zhou		
D930,627	S		9/2021	Ruhman		
D943,560	S	*	2/2022	Marco	.....	D14/230
2020/0287295	A1		9/2020	Pernstal et al.		
2021/0036399	A1		2/2021	Zhu et al.		
2021/0083358	A1		3/2021	Shao		

\* cited by examiner



**FIG. 1**



**FIG. 2**