



US00D962207S

(12) **United States Design Patent** (10) **Patent No.:** **US D962,207 S**  
**Wang** (45) **Date of Patent:** **\*\* Aug. 30, 2022**

(54) **ANTENNA**  
(71) Applicant: **Advanced Connection Technology Inc., New Taipei (TW)**  
(72) Inventor: **Yang-Kai Wang, New Taipei (TW)**  
(\*\*) Term: **15 Years**  
(21) Appl. No.: **29/744,054**

D832,241 S \* 10/2018 He ..... D14/230  
D864,924 S \* 10/2019 Howard ..... D14/230  
D868,760 S \* 12/2019 Gosalia ..... D14/230  
(Continued)

**FOREIGN PATENT DOCUMENTS**

CN 306777801 \* 8/2021  
CN 307302042 \* 4/2022  
(Continued)

**OTHER PUBLICATIONS**

Taoglas, Micro GPS Patch Antenna, available at 1bitsquared.com, date published 2012, site visited May 17, 2022, Available at URL: [https://www.taoglas.com/images/product\\_images/original\\_images/AP.10F.07.0039B.pdf](https://www.taoglas.com/images/product_images/original_images/AP.10F.07.0039B.pdf) (Year: 2012).\*

(Continued)

*Primary Examiner* — Daniel J Domino  
*Assistant Examiner* — Samina Vieth

(22) Filed: **Jul. 27, 2020**  
(51) **LOC (13) Cl.** ..... **14-03**  
(52) **U.S. Cl.**  
USPC ..... **D14/230**  
(58) **Field of Classification Search**  
USPC ..... D14/230, 204, 207, 209–216, 231–238,  
D14/299, 358; D12/42, 43  
CPC ..... H01Q 7/10; H01Q 13/10; H01Q 9/285;  
H01Q 19/30; H01Q 19/12; H01Q 1/38;  
H01Q 1/36; H04B 1/047; H04B 1/034;  
H05K 11/00  
See application file for complete search history.

(57) **CLAIM**

The ornamental design for an antenna, as shown and described.

(56) **References Cited**

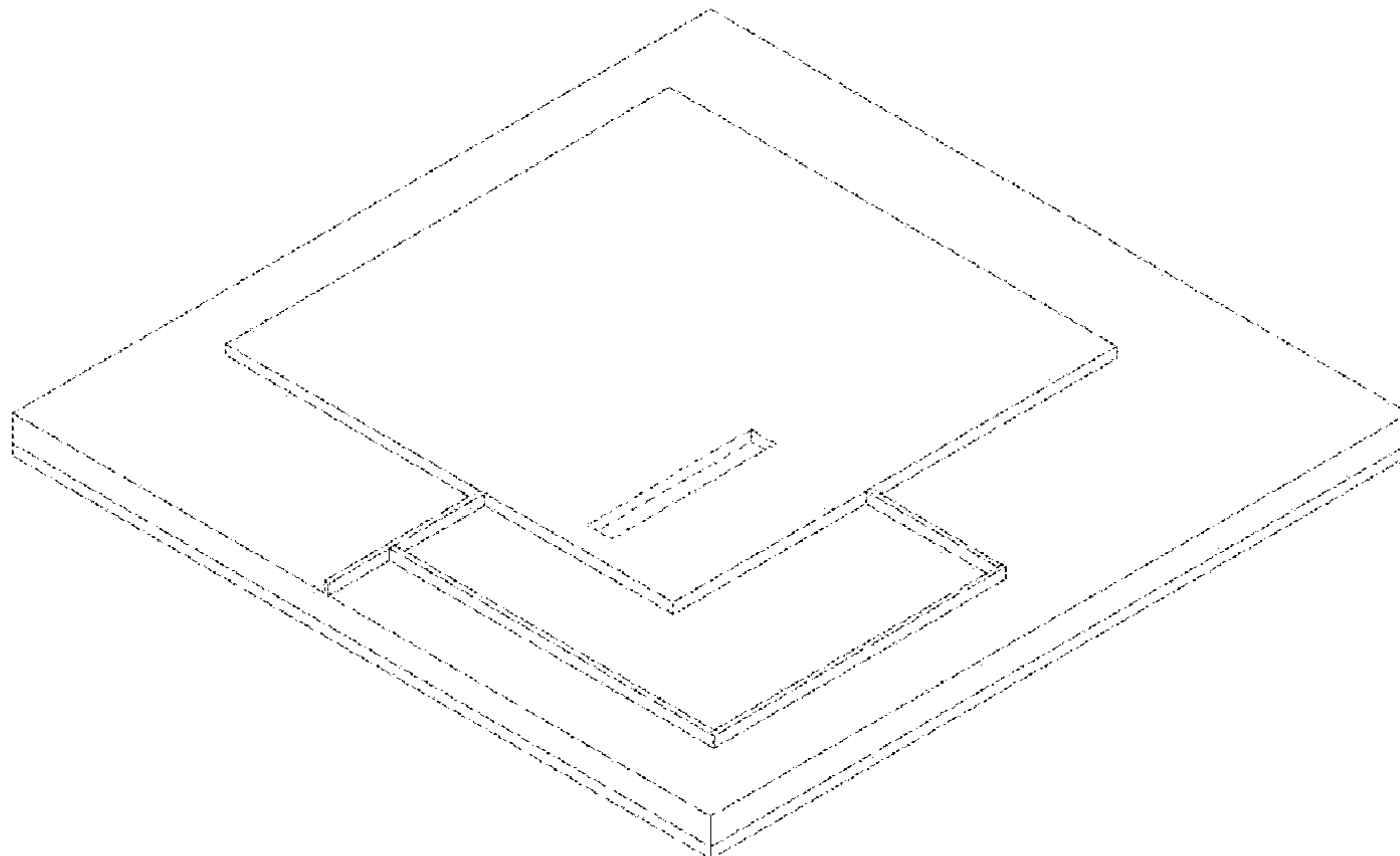
**U.S. PATENT DOCUMENTS**

6,252,561 B1 \* 6/2001 Wu ..... H01Q 1/38  
343/866  
D531,995 S \* 11/2006 Shinkawa ..... D14/230  
D582,400 S \* 12/2008 Takisawa ..... D14/230  
D645,029 S \* 9/2011 Yakubo ..... D14/230  
D666,179 S \* 8/2012 Gladstone ..... D14/230  
D704,681 S \* 5/2014 McDonnell ..... D14/230  
D762,197 S \* 7/2016 Yang ..... D14/230  
D780,723 S \* 3/2017 Gosalia ..... D14/230  
D781,823 S \* 3/2017 Chang ..... D14/230  
D785,609 S \* 5/2017 Bellows ..... D14/230  
D791,745 S \* 7/2017 Gosalia ..... D14/230  
D793,372 S \* 8/2017 Makimura ..... D14/230  
D794,000 S \* 8/2017 Gosalia ..... D14/230  
D802,564 S \* 11/2017 Nair ..... D14/230  
D817,936 S \* 5/2018 Yokoi ..... D14/230

**DESCRIPTION**

FIG. 1 is a perspective view of an antenna showing my design;  
FIG. 2 is a front elevational view of FIG. 1;  
FIG. 3 is a rear elevational view of FIG. 1;  
FIG. 4 is a left side elevational view of FIG. 1;  
FIG. 5 is a right side elevational view of FIG. 1;  
FIG. 6 is a top plan view of FIG. 1; and,  
FIG. 7 is a bottom plan view of FIG. 1.  
All the Drawings are presented in the normal black and white colors.  
The broken lines illustrate portions of the article, and form no part of the claimed design.

**1 Claim, 7 Drawing Sheets**



(56)

**References Cited**

U.S. PATENT DOCUMENTS

10,992,034 B1 \* 4/2021 Yang ..... H01Q 5/371  
2010/0207835 A1 \* 8/2010 Taura ..... H01Q 13/10  
343/770  
2010/0245192 A1 \* 9/2010 Kakuya ..... H01Q 1/48  
343/726  
2012/0050123 A1 \* 3/2012 Wang ..... H01Q 13/10  
343/767  
2012/0218154 A1 \* 8/2012 White ..... H01Q 1/1271  
29/600

FOREIGN PATENT DOCUMENTS

IN 357329-001-0001 \* 4/2022  
JP D1620814 \* 12/2021

OTHER PUBLICATIONS

L-Com, 1.2 GHz 8 dbi Flat Patch Antenna . . . , available at  
l-com.com, date published Feb. 7, 2012, site visited May 17, 2022,  
Available at URL.\*

\* cited by examiner

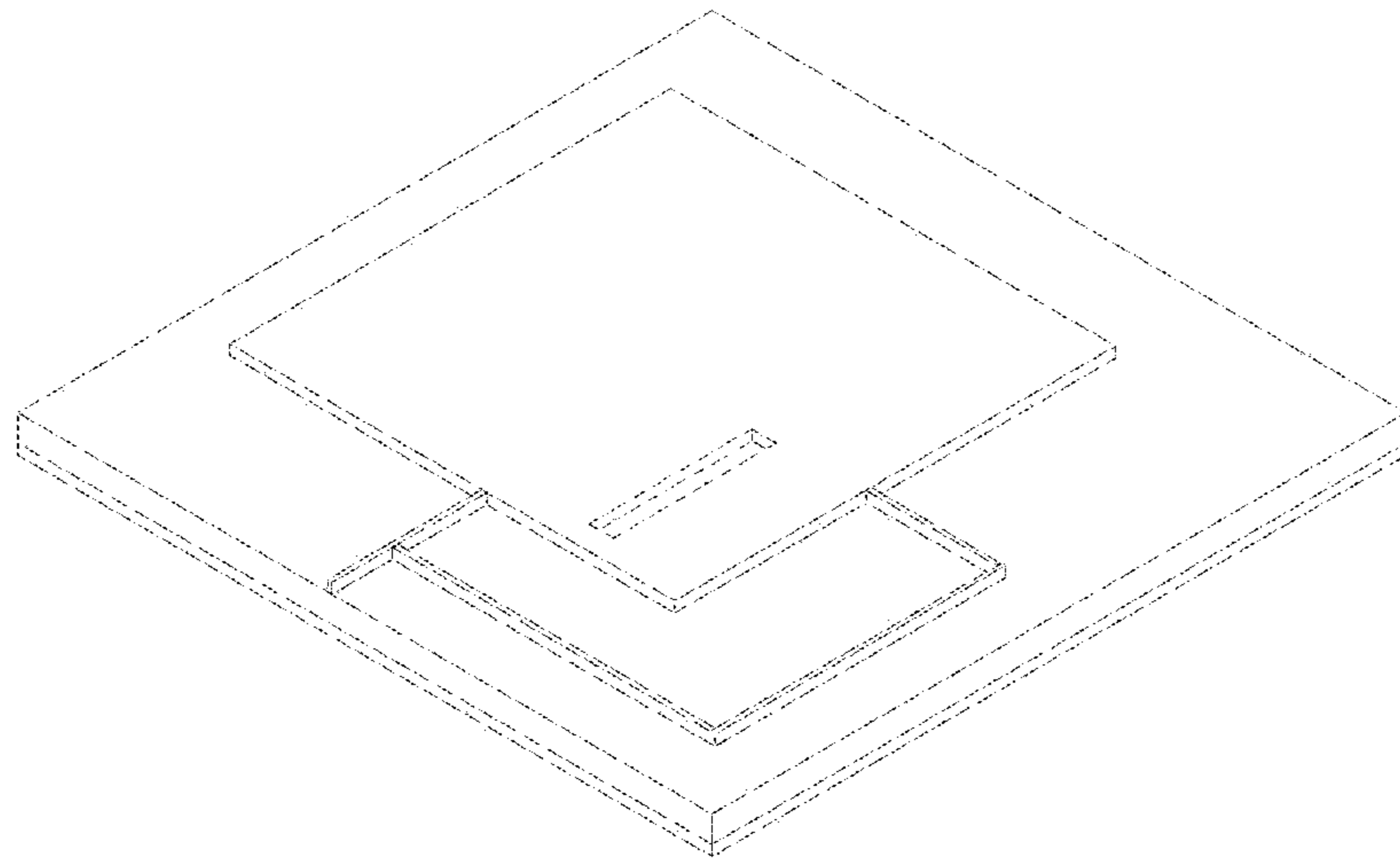


FIG.1

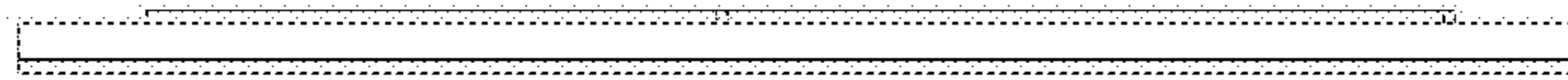


FIG.2

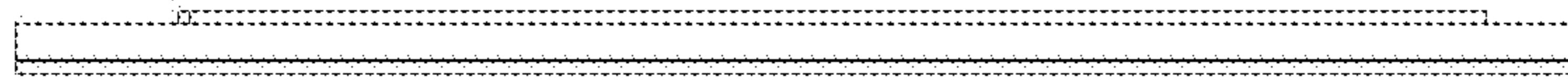


FIG.3

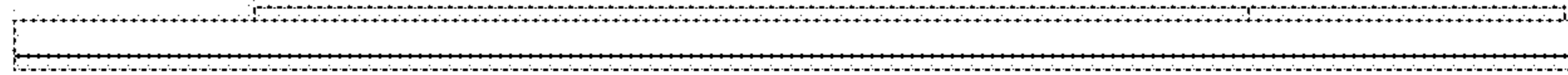


FIG.4

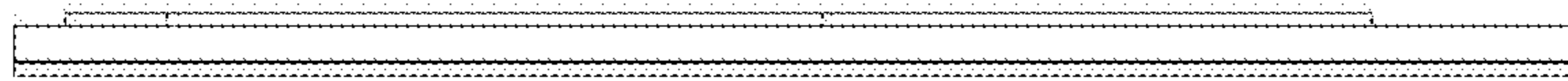


FIG.5

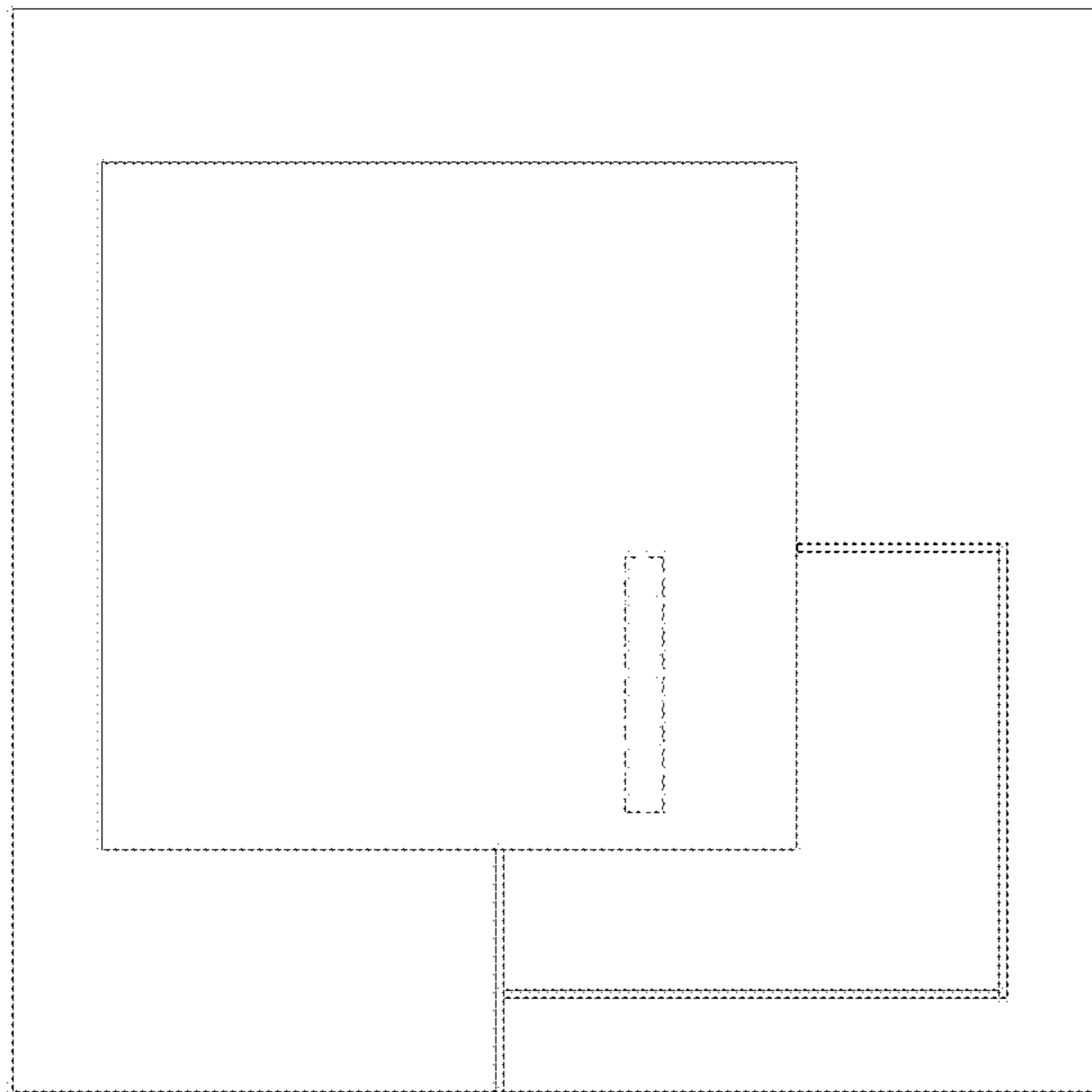
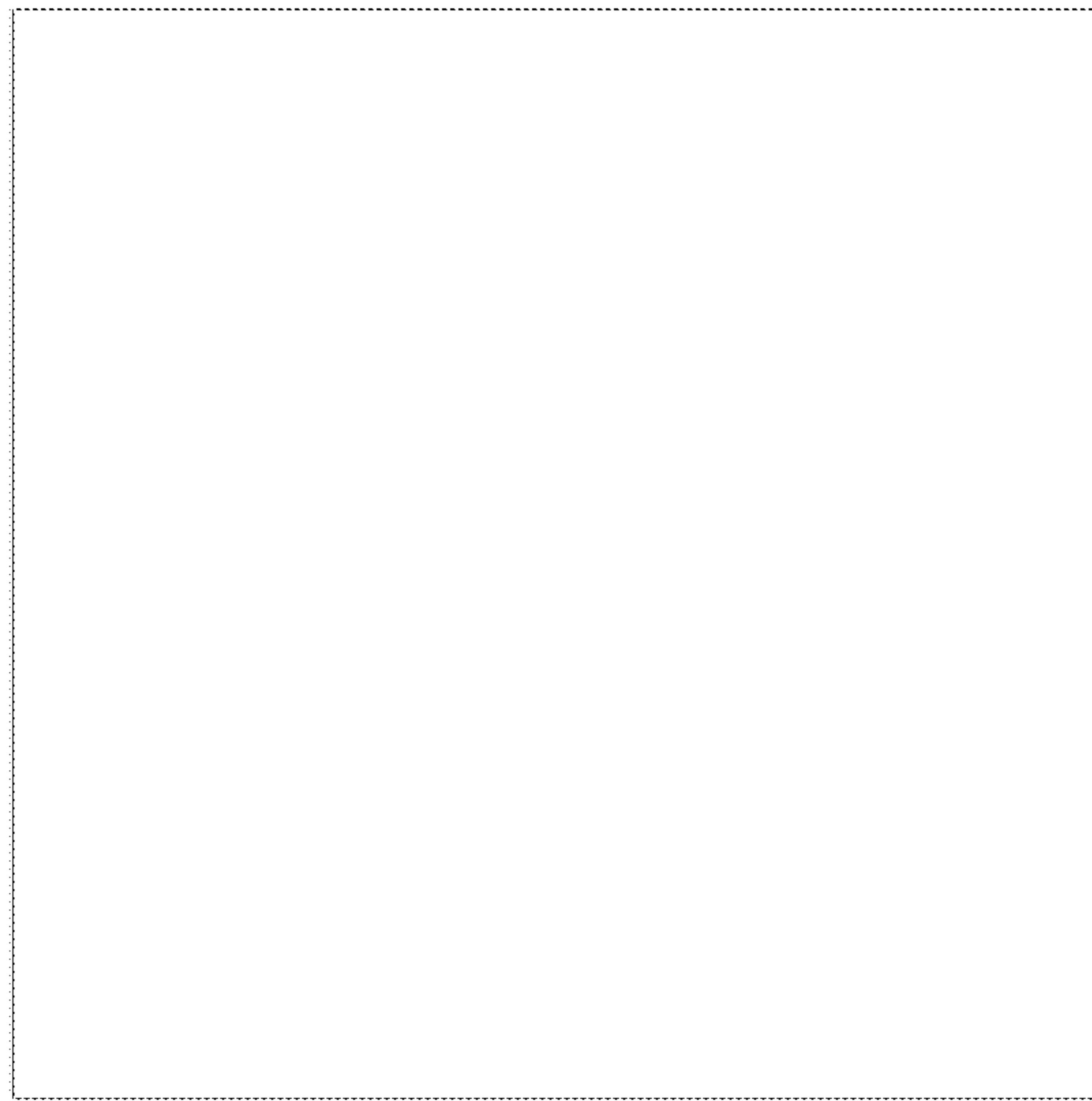


FIG. 6





**FIG. 7**