

US00D962204S

(12) **United States Design Patent**
Mok

(10) **Patent No.:** **US D962,204 S**

(45) **Date of Patent:** **** Aug. 30, 2022**

(54) **PAIR OF TAPERED EARBUD COVERS**

(71) Applicant: **Class and Culture LLC**, Las Vegas, NV (US)

(72) Inventor: **Ronald Mok**, Las Vegas, NV (US)

(73) Assignee: **Class and Culture LLC**, Las Vegas, NV (US)

(**) Term: **15 Years**

(21) Appl. No.: **29/807,436**

(22) Filed: **Sep. 10, 2021**

(51) **LOC (13) Cl.** **14-01**

(52) **U.S. Cl.**
USPC **D14/223**

(58) **Field of Classification Search**
USPC D14/223, 205; D24/174; 128/864, 865, 128/866; 381/380, 381, 325; 455/90.3, 455/575.1, 569.1
CPC H04R 1/10; H04R 25/00; H04R 25/02; H04R 1/1016; H04R 1/1066; H04R 1/105; H04R 1/1083; H04R 1/1091
See application file for complete search history.

(56) **References Cited**

U.S. PATENT DOCUMENTS

D443,261 S *	6/2001	Yuyama	D14/223
D514,094 S *	1/2006	Griffin	D14/223
D556,326 S *	11/2007	Espersen	D24/174
D585,429 S *	1/2009	Dean	D14/223
D587,681 S *	3/2009	Yanai	D14/205
D634,306 S *	3/2011	Pedersen	D14/223

(Continued)

FOREIGN PATENT DOCUMENTS

CN	302993075	*	11/2014
CN	305274977	*	7/2021

(Continued)

OTHER PUBLICATIONS

Elago Earbuds Hook Cover Compatible with Airpods Pro—Precise Cutout Design, Easy Installation, Published May 22, 2020, found at Amazon.com in 8 pages.

(Continued)

Primary Examiner — Paula Allen Greene

(74) *Attorney, Agent, or Firm* — Polsinelli PC

(57) **CLAIM**

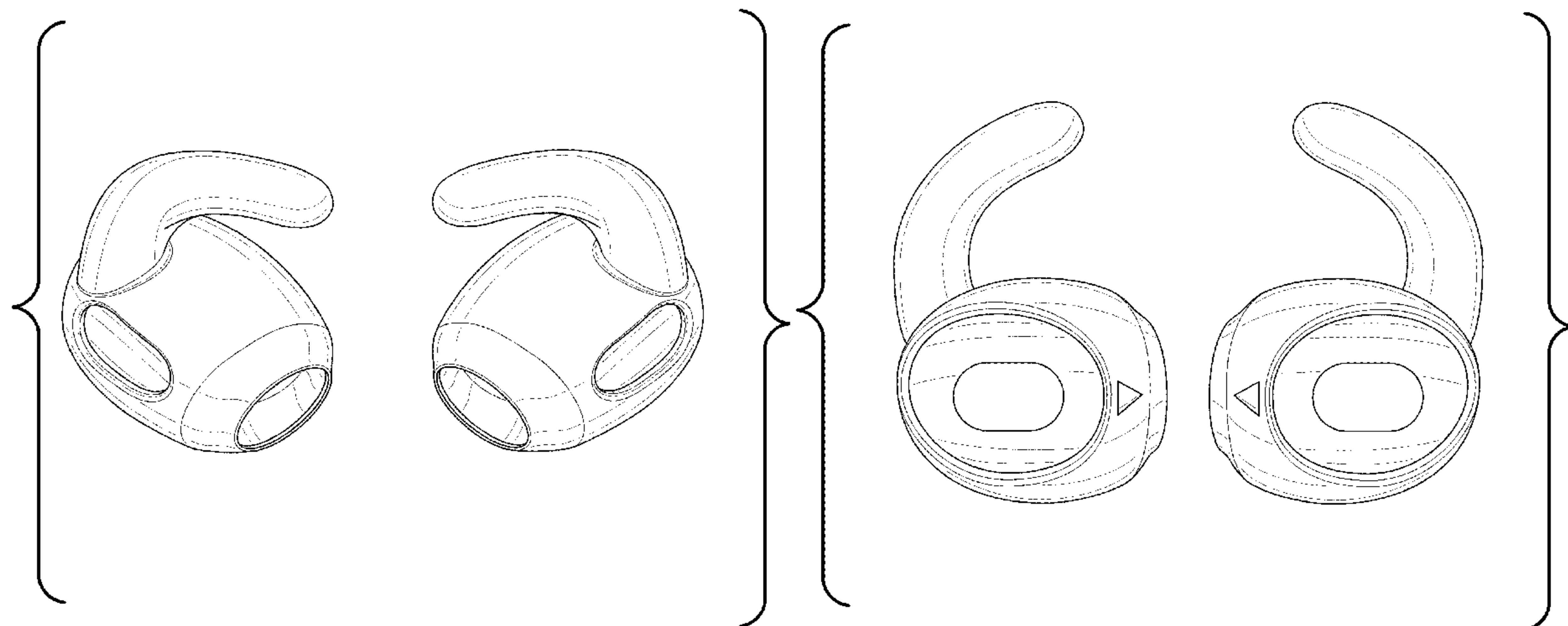
I claim the ornamental design for a pair of tapered earbud covers, as shown and described.

DESCRIPTION

FIG. 1 is a side perspective view of a pair of tapered earbud covers, showing my new design;
FIG. 2 is a first side view of the pair of tapered earbud covers of FIG. 1;
FIG. 3 is a second side view the pair of tapered earbud covers of FIG. 1;
FIG. 4 is a third side view the pair of tapered earbud covers of FIG. 1;
FIG. 5 is a fourth side view the pair of tapered earbud covers of FIG. 1;
FIG. 6 is a first top view the pair of tapered earbud covers of FIG. 1;
FIG. 7 is a first bottom view the pair of tapered earbud covers of FIG. 1;
FIG. 8 is the right facing earphone of FIG. 7 viewed along line 10-10 of FIG. 7;
FIG. 9 is a cross-section view of the body of FIG. 1 viewed along line 9-9 in FIG. 5; and,
FIG. 10 is the left facing earphone of FIG. 5 viewed along line 8-8 of FIG. 5.

The broken lines are for illustrating portions of the pair of tapered earbud covers which form no part of the claimed design.

1 Claim, 10 Drawing Sheets



(56)

References Cited

U.S. PATENT DOCUMENTS

7,965,855 B1 * 6/2011 Ham H04R 1/1091
 381/328
 D644,212 S * 8/2011 Quek D14/223
 D644,213 S * 8/2011 Quek D14/223
 D645,458 S * 9/2011 Silvestri H04R 1/1016
 D14/223
 D655,693 S * 3/2012 Silvestri D14/223
 D664,124 S * 7/2012 Smith D14/223
 D672,043 S * 12/2012 Larsen D24/174
 D672,044 S * 12/2012 Larsen D24/174
 D687,021 S * 7/2013 Yuen D14/223
 D699,215 S * 2/2014 Koch D14/205
 8,682,001 B2 * 3/2014 Annunziato H04R 1/1083
 381/71.8
 8,737,669 B2 * 5/2014 Monahan H04R 1/1016
 381/328
 D716,770 S * 11/2014 Bonahoom D14/223
 8,897,480 B2 * 11/2014 Tan H04R 1/1058
 381/370
 D726,694 S * 4/2015 Behar D14/223
 D728,532 S * 5/2015 Kurtz D14/223
 D732,008 S * 6/2015 Akana H04R 1/1016
 D14/223
 9,082,388 B2 * 7/2015 Annunziato G10K 11/17857
 D742,362 S * 11/2015 Bonahoom D14/223
 D744,456 S * 12/2015 Pedersen D14/223
 9,269,432 B2 * 2/2016 Faraoni G11C 13/0011
 D755,158 S * 5/2016 Lee D14/223
 D758,355 S * 6/2016 Lee D14/223
 D759,633 S * 6/2016 Gondo D14/223
 D770,413 S * 11/2016 Son D14/223
 D770,425 S * 11/2016 Son D14/223
 D770,426 S * 11/2016 LaBerge H04R 1/1058
 D14/223
 D773,440 S * 12/2016 Pedersen D14/223
 D773,441 S * 12/2016 Pedersen D14/223
 D774,021 S * 12/2016 Pedersen D14/223
 D777,149 S * 1/2017 Bonahoom D14/223
 D779,461 S * 2/2017 Smith D14/223
 D780,157 S * 2/2017 Ugglä D14/223
 9,635,452 B2 * 4/2017 Cheng H04R 1/1075
 D794,613 S * 8/2017 Hayden
 D800,703 S * 10/2017 Vaclavik D14/223
 9,792,893 B1 * 10/2017 Gauger, Jr. H04R 1/1083
 9,813,794 B2 * 11/2017 Cheng H04R 1/086
 9,854,345 B2 * 12/2017 Briggs H04R 1/1016
 D828,825 S * 9/2018 Samrelius D14/223
 D835,077 S * 12/2018 Aoyagi D14/223
 10,212,507 B1 * 2/2019 Maguire H04R 1/1041
 D843,352 S * 3/2019 Lee D14/223
 D850,417 S * 6/2019 Yang D14/223
 10,362,384 B2 * 7/2019 Yun
 D860,172 S * 9/2019 Yun D14/223

D866,532 S * 11/2019 Zhang D14/223
 D869,444 S * 12/2019 Tang D14/223
 D870,079 S * 12/2019 Yun D14/223
 D881,166 S * 4/2020 Lee D14/223
 D883,959 S * 5/2020 Lee
 D894,158 S * 8/2020 Gu D14/223
 D897,321 S * 9/2020 Wei D14/223
 2003/0196850 A1 * 10/2003 Dyer H04R 1/1016
 181/135
 2011/0255729 A1 * 10/2011 Tan H04R 1/1016
 381/380
 2012/0039501 A1 * 2/2012 Silvestri H04R 1/1075
 381/380
 2014/0119589 A1 * 5/2014 Wyzisk H04R 1/105
 381/380
 2018/0376236 A1 * 12/2018 Prevoir H04R 1/1066
 2019/0231197 A1 * 8/2019 Kirszenblat H04R 1/1016
 2020/0204896 A1 * 6/2020 Hanson H04R 1/1016
 2020/0221201 A1 * 7/2020 Zalisk H04R 1/1016
 2020/0245049 A1 * 7/2020 Karayiannis H04R 1/1041

FOREIGN PATENT DOCUMENTS

CN 305291351 * 8/2021
 GB 6132275 * 4/2021

OTHER PUBLICATIONS

Crysendo Silicone Earhooks Compatible with AirPods Pro, Anti-Lost Secure Earhook Holder Ear Attachment, Published Feb. 7, 2021, found at Amazon.com in 8 pages.
 EarBuddyz 2.0 Ear Hooks and Covers Accessories Compatible with Apple AirPods 1 & 2 Headphones/Earphones/Earbuds at the Keybudz Store, Published Dec. 14, 2015, found at Amazon.com in 9 pages.
 Delidigi Silicone Ear Hooks and Covers tips [Sound Quality Enhancement] for Apple AirPods 2 & 1 and EarPods by AhaStyle, published Feb. 14, 2019, found at Amazon.com in 6 pages.
 Silicone Earbuds Ear Tips For Huawei AM61 Wireless Earphones Headset by Sia Joom, published 2021, found at <https://joom.com/en/products/5d526c66b28fc710101942843> in 13 pages.
 Earplug earphone ear tips earphone ear hook ear tips for AirPods ear hooks for AirPods found at Walmart.com, published 2021 in 6 pages.
 AhaStyle AirPods EarHooks EarPods EarHooks Cover in the Ear Headphone Cushion, by AhaStyle, published 2021, found at Amazon.com in 2 pages.
 J Ear Hooks AirPod Silicone Earbuds Covers Accessories Anti-Slip Earbuds Compatible with AirPods In The Ear Headphone Cushion by J Brand, published 2021, found at www.flipkart.com, in 3 pages.
 Black S7 Earbuds Anti-Slip Silicone Ear Tips in The Ear Headphone Cushion by J Bbs Deal, published 2017, found at www.indiamart.com in 8 pages.

* cited by examiner

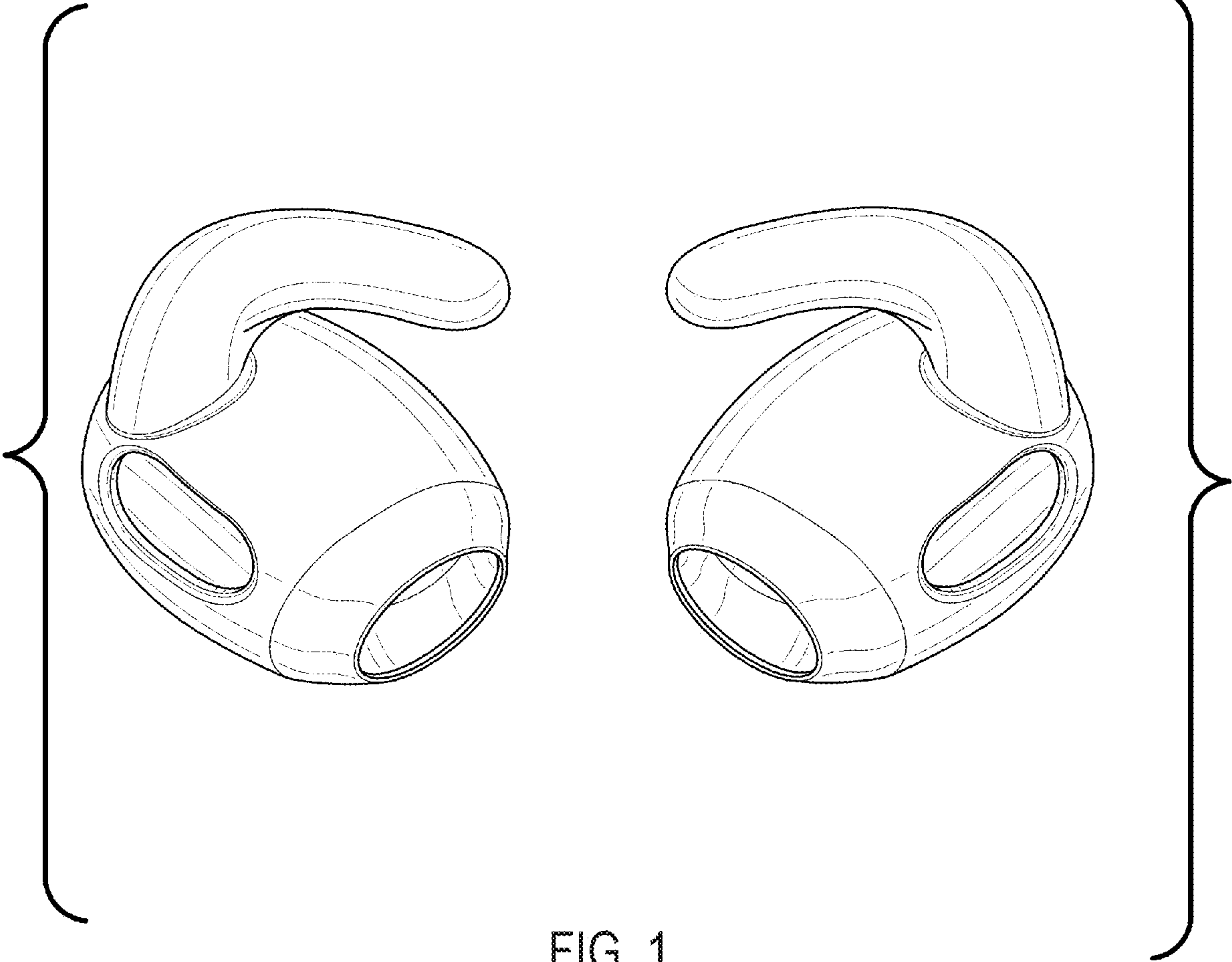


FIG. 1

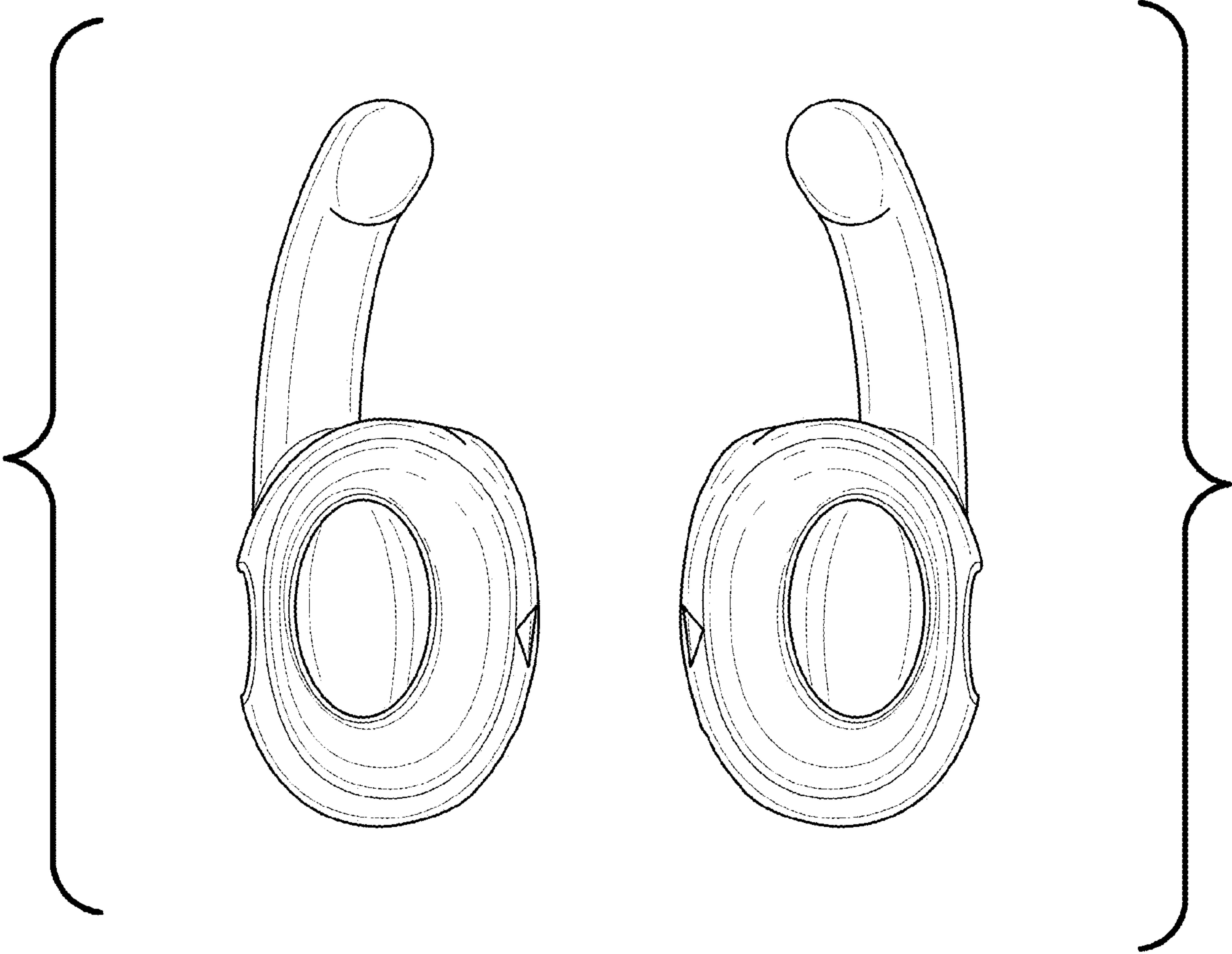


FIG. 2

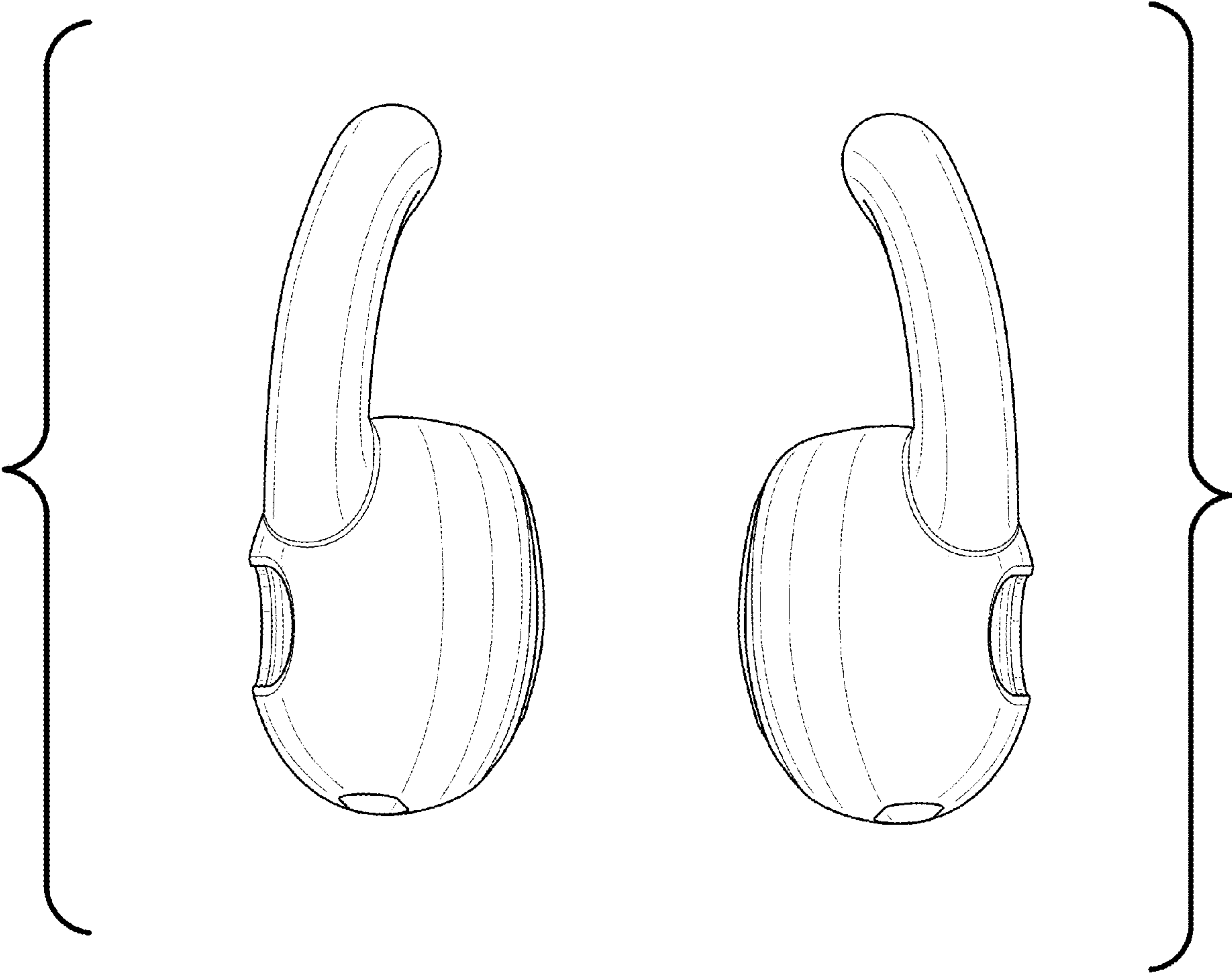
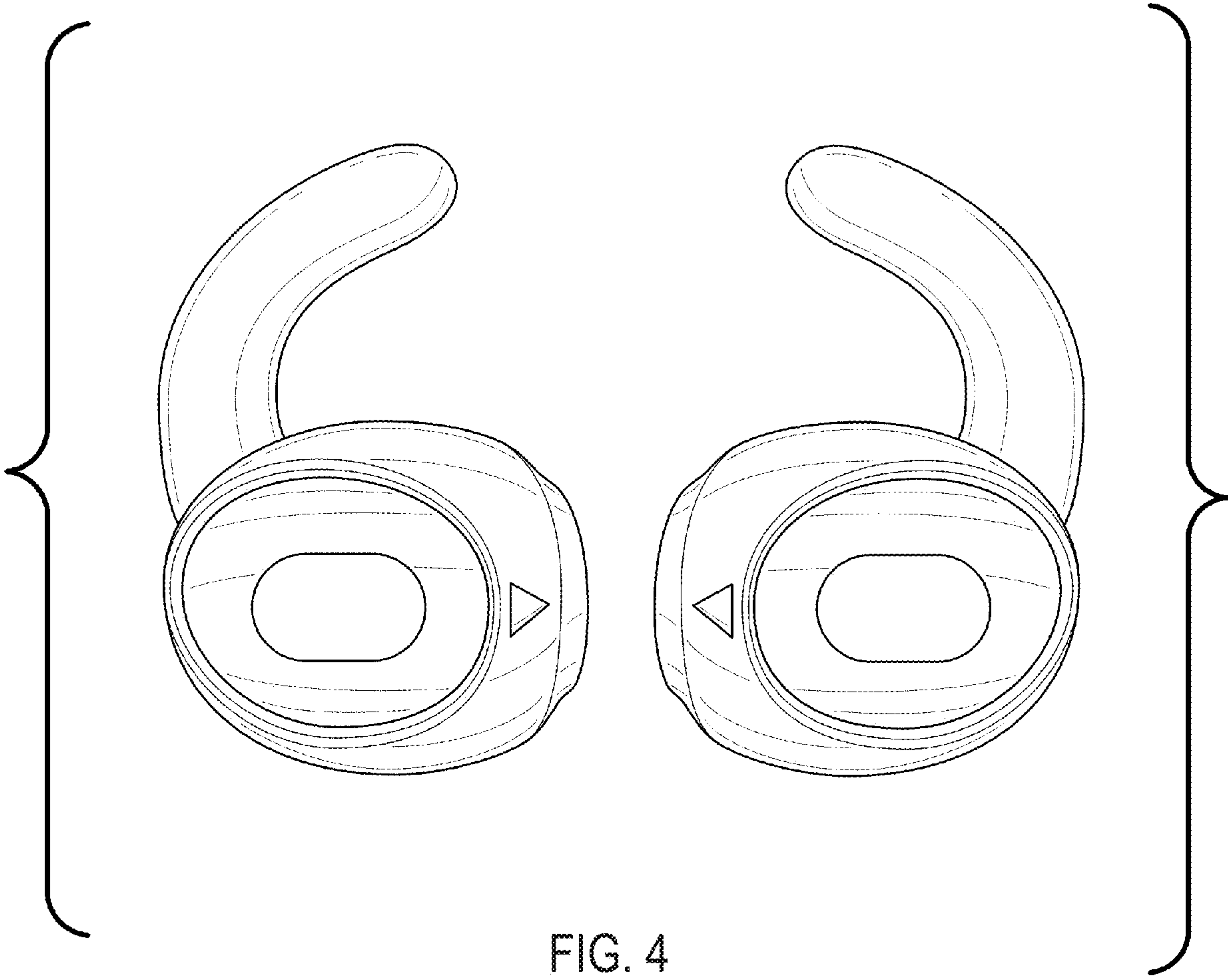
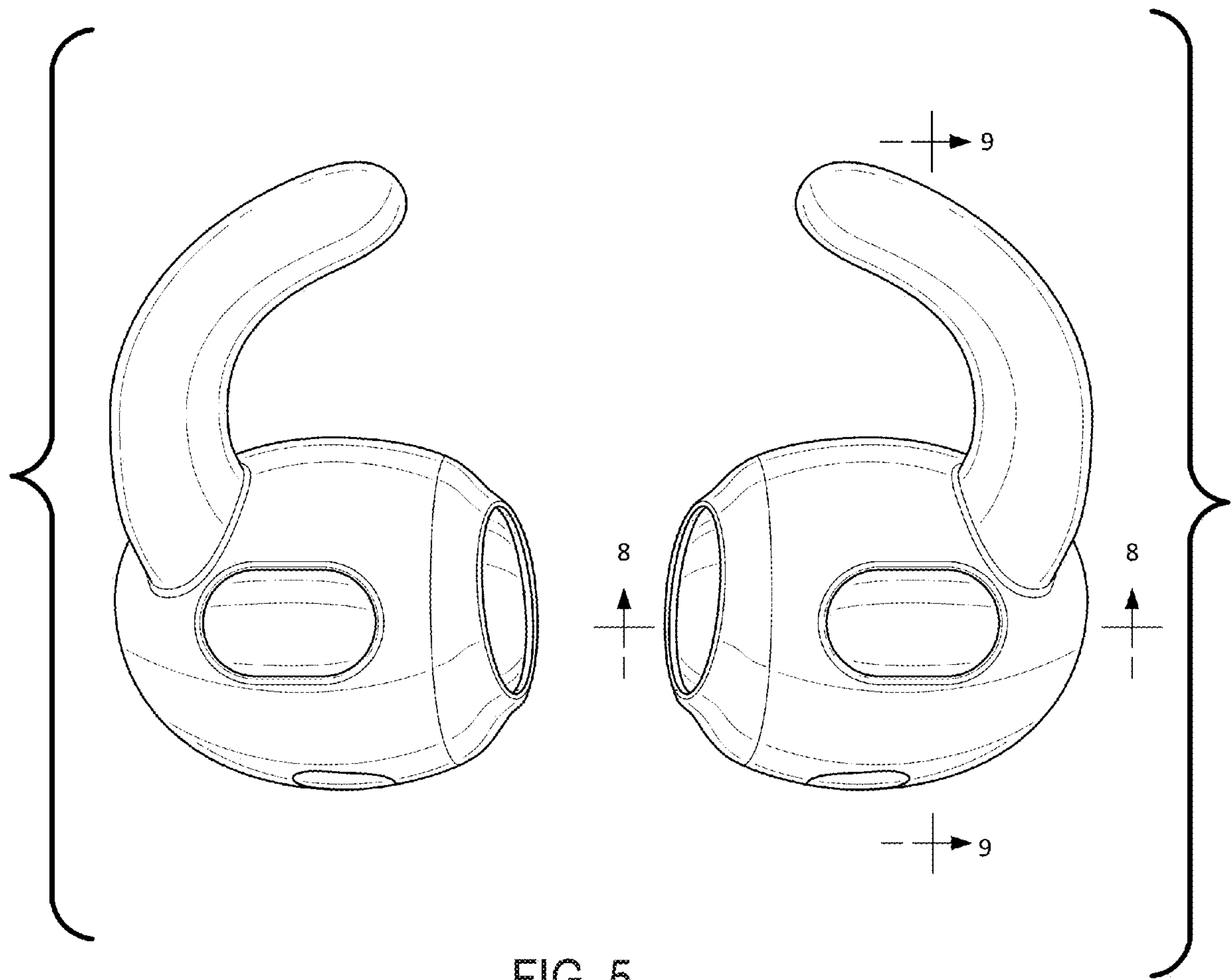


FIG. 3





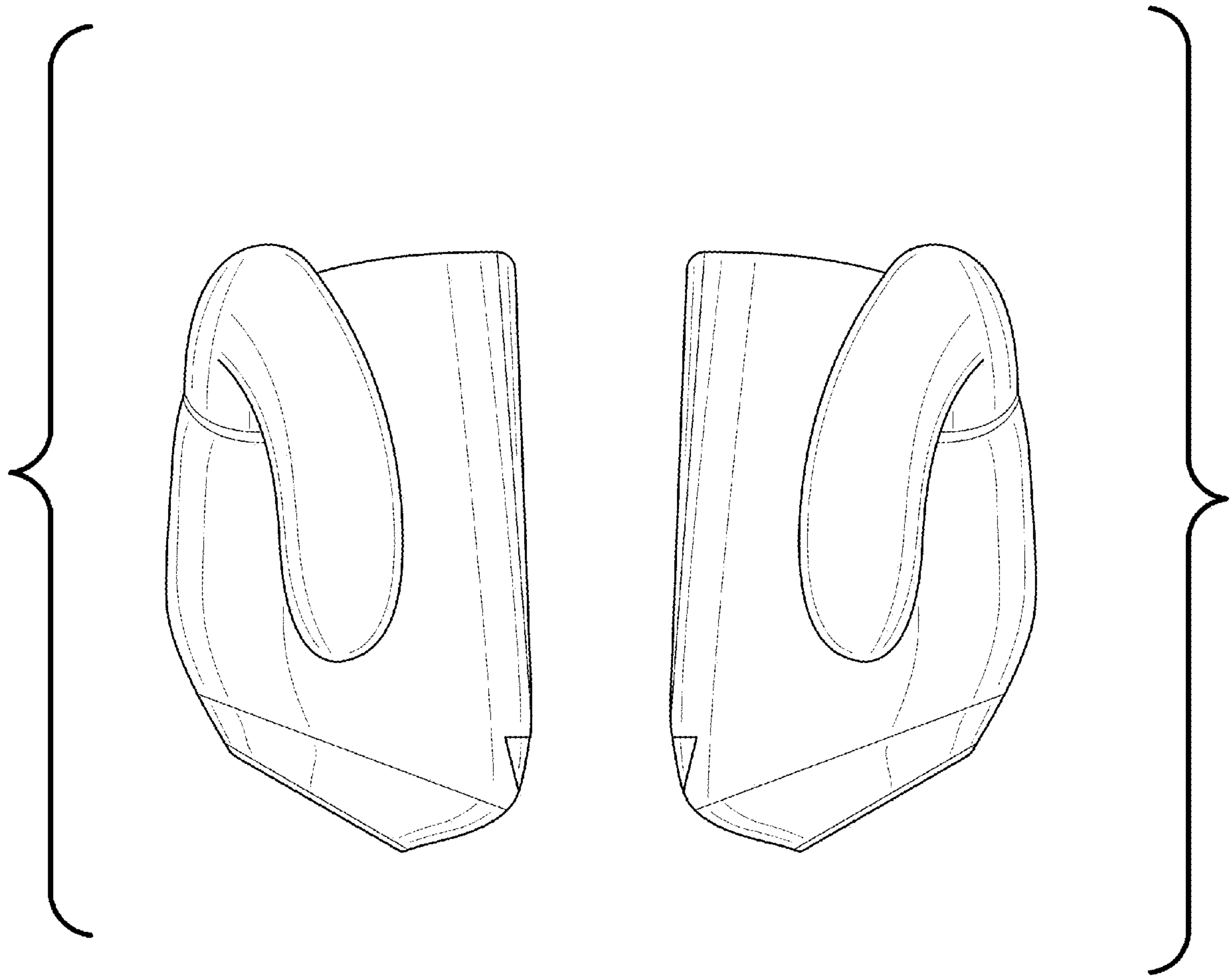
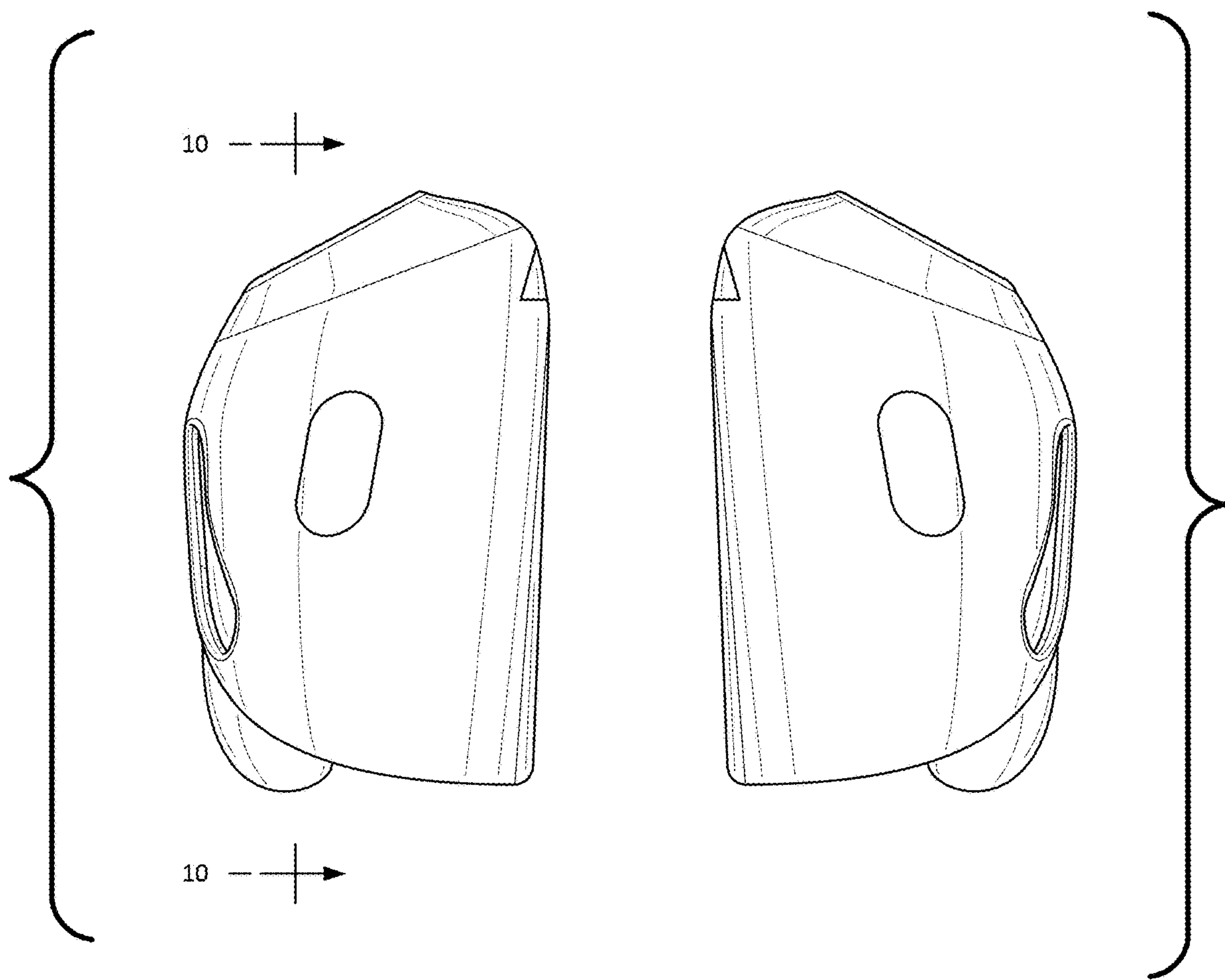


FIG. 6



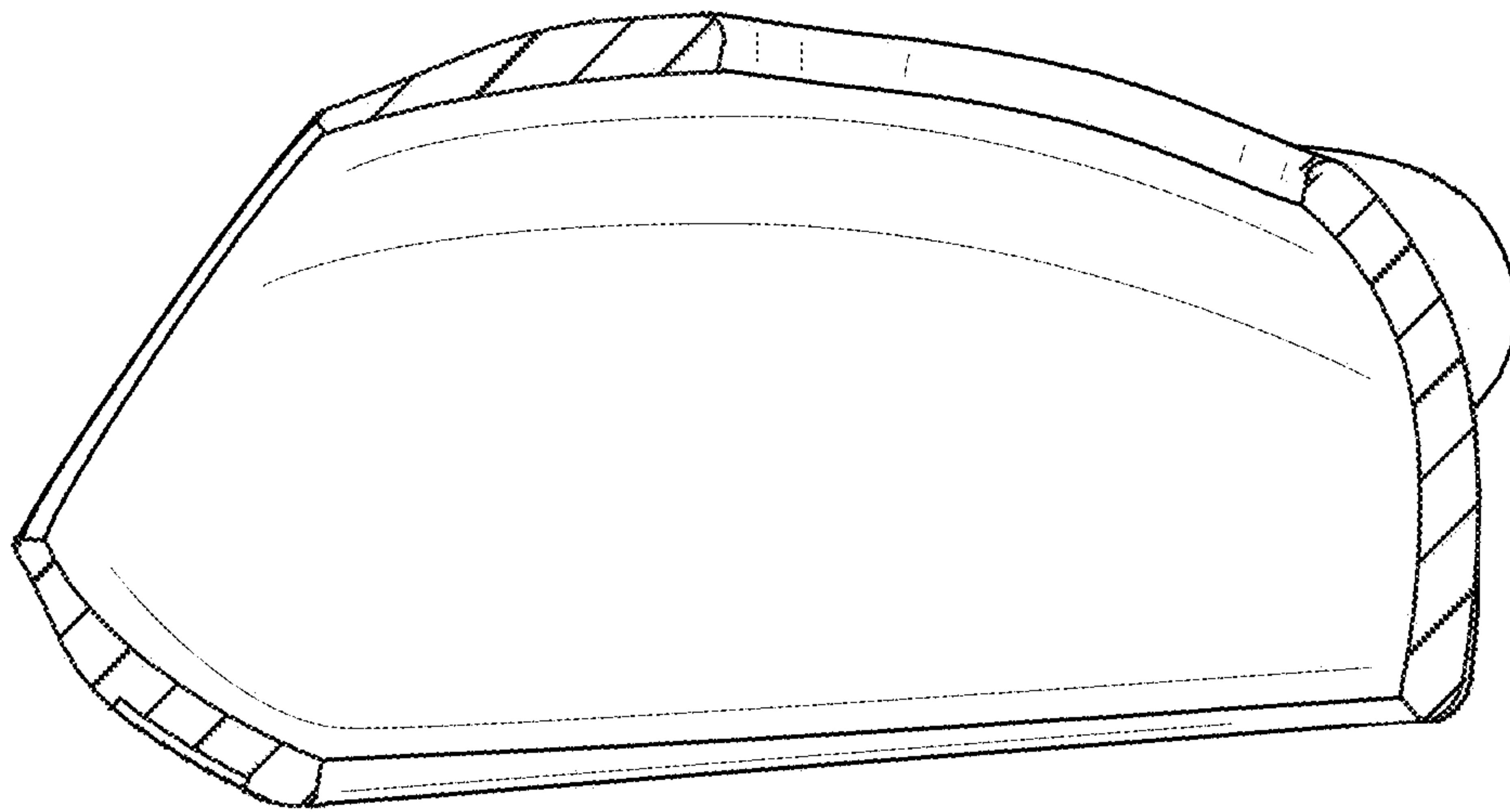


FIG. 8

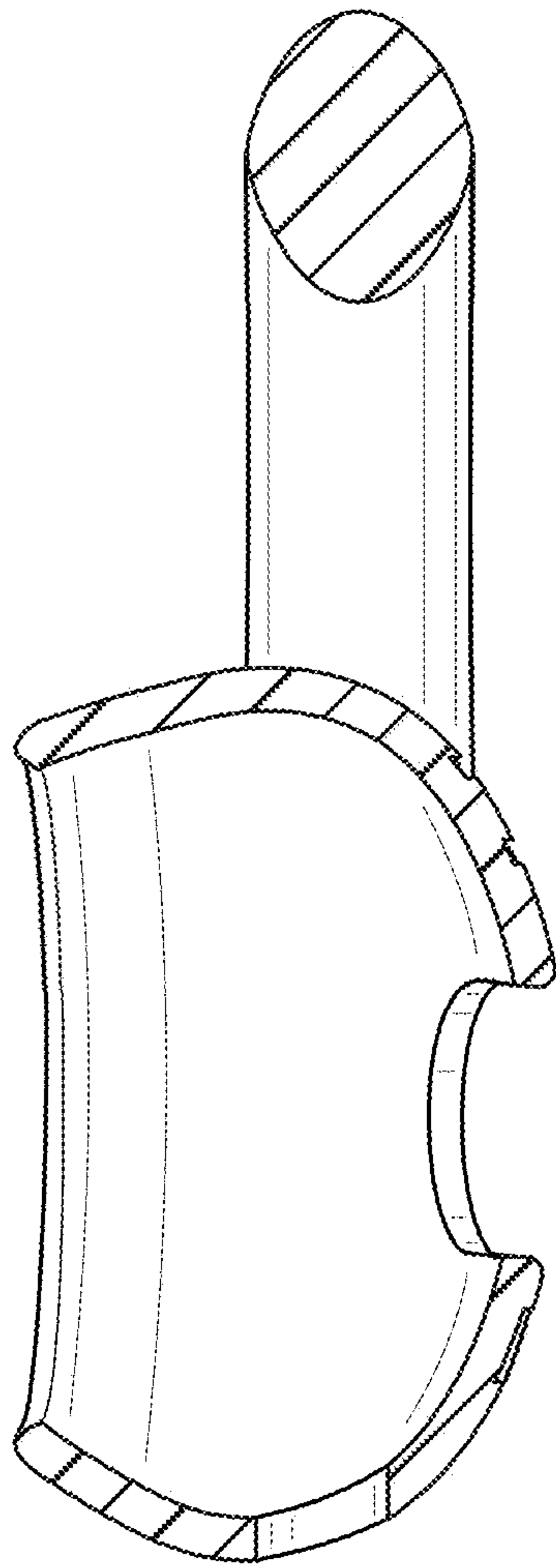


FIG. 9

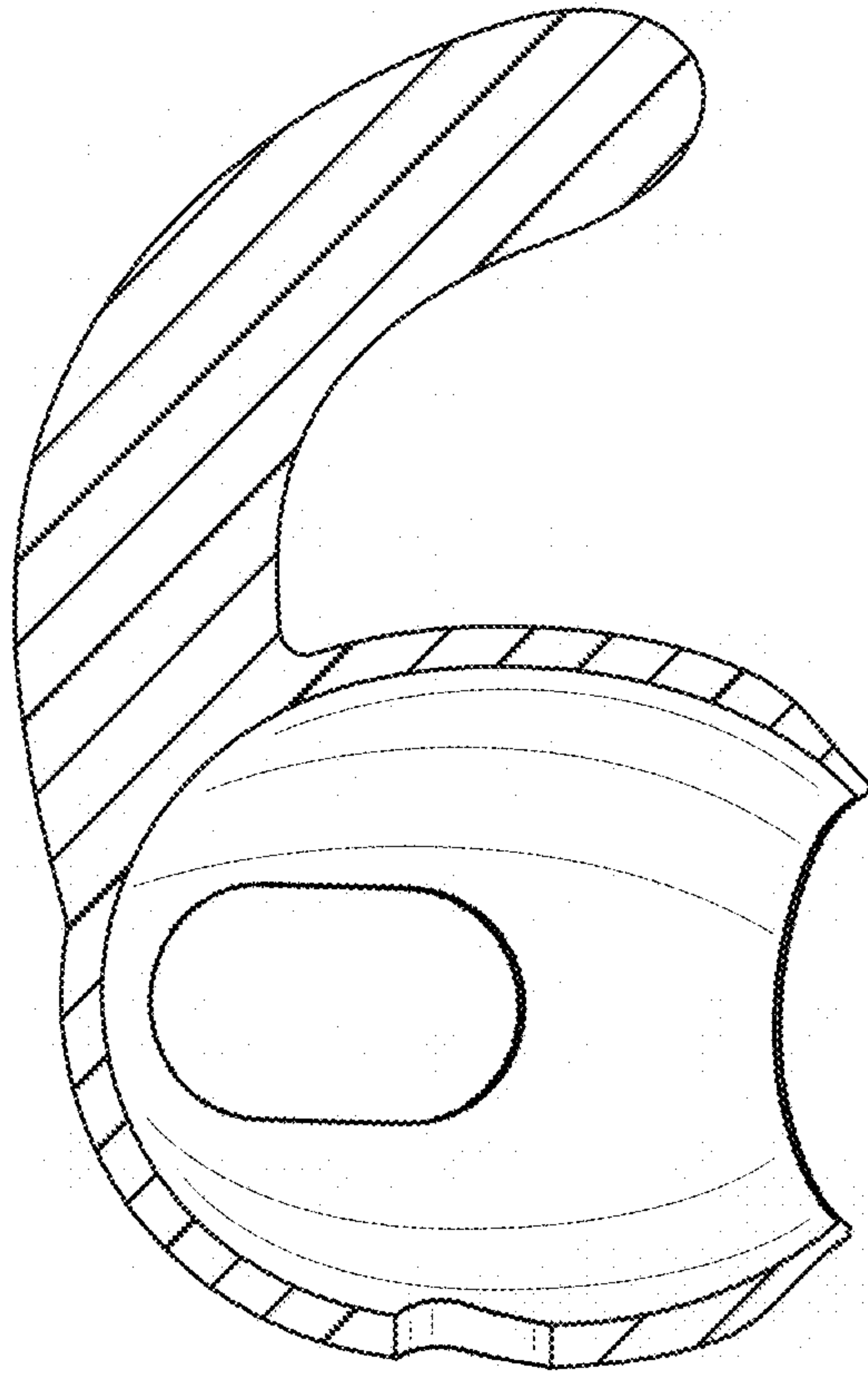


FIG. 10