



US00D962202S

(12) **United States Design Patent**  
**Zhang et al.**

(10) **Patent No.:** **US D962,202 S**

(45) **Date of Patent:** **\*\* Aug. 30, 2022**

(54) **EARPHONE**

(71) Applicant: **Guangdong Esthetical Her Industrial Investment Co., Ltd., Guangdong (CN)**

(72) Inventors: **Chunyan Zhang, Guangdong (CN); Taogen Wen, Guangdong (CN); Lijun Deng, Guangdong (CN)**

(73) Assignee: **Guangdong Esthetical Her Industrial Investment Co., Ltd., Dongguan (CN)**

(\*\*) Term: **15 Years**

(21) Appl. No.: **29/758,217**

(22) Filed: **Nov. 12, 2020**

(30) **Foreign Application Priority Data**

Jul. 21, 2020 (CN) ..... 202030398123.1

(51) **LOC (13) Cl.** ..... **14-01**

(52) **U.S. Cl.**  
USPC ..... **D14/223**

(58) **Field of Classification Search**  
USPC ..... D14/205, 207, 217, 221, 223, 225;  
D24/106, 173, 174; D29/112  
CPC ..... H04R 1/10; H04R 1/1016; H04R 1/1066;  
H04R 1/105; H04R 1/1033  
See application file for complete search history.

(56) **References Cited**

**U.S. PATENT DOCUMENTS**

D657,779 S \* 4/2012 Gondo ..... D14/223  
D775,108 S \* 12/2016 Hsieh ..... D14/223  
D829,193 S \* 9/2018 Cai ..... D14/223  
D848,980 S \* 5/2019 Kim ..... D14/223  
D848,982 S \* 5/2019 Kim ..... D14/223  
D861,647 S \* 10/2019 Chen ..... D14/223  
D877,722 S \* 3/2020 Yang ..... D14/223  
D883,960 S \* 5/2020 Du ..... D14/223  
D885,373 S \* 5/2020 Lundbäck ..... D14/223

D890,724 S \* 7/2020 Li ..... D14/223  
D895,582 S \* 9/2020 Wu ..... D14/223  
D900,065 S \* 10/2020 Distefano ..... D14/223  
D903,639 S \* 12/2020 Yang ..... D14/223

(Continued)

**FOREIGN PATENT DOCUMENTS**

CN 306704131 \* 7/2021  
CN 306760510 \* 8/2021

**OTHER PUBLICATIONS**

MIFA, first available Dec. 24, 2020 [online], [retrieved Apr. 4, 2022]. Available from the Internet, URL:<[https://www.amazon.com/dp/B08R8GBWQ1/ref=cm\\_sw\\_em\\_r\\_mt\\_dp\\_1N8QT46JTMJGME89Y3EC](https://www.amazon.com/dp/B08R8GBWQ1/ref=cm_sw_em_r_mt_dp_1N8QT46JTMJGME89Y3EC)>. (Year: 2020).\*

(Continued)

*Primary Examiner* — Tracey J Bell  
*Assistant Examiner* — Russell Carnell Smith, Jr.

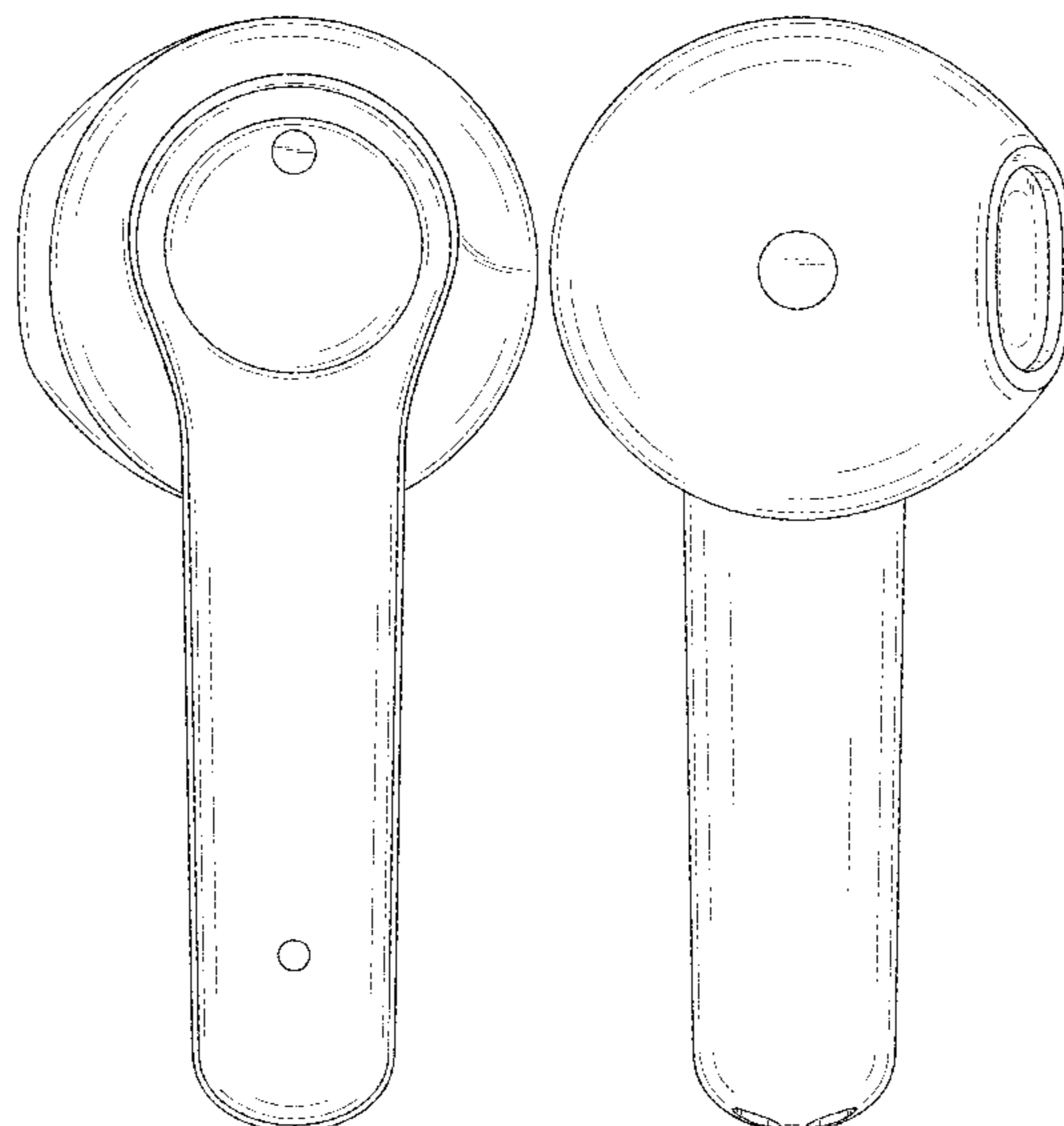
(57) **CLAIM**

The ornamental design for an earphone, as shown and described.

**DESCRIPTION**

FIG. 1 is a front elevational view of an earphone showing our new design;  
FIG. 2 is a rear elevational view thereof;  
FIG. 3 is a left side view thereof;  
FIG. 4 is a right side view thereof;  
FIG. 5 is a top plan view thereof;  
FIG. 6 is a bottom plan view thereof;  
FIG. 7 is a front, top and left side perspective view thereof;  
and,  
FIG. 8 is a rear, bottom and left side perspective view thereof.  
The broken lines in the drawings illustrate portions of the earphone which form no part of the claimed design.

**1 Claim, 7 Drawing Sheets**



(56)

**References Cited**

U.S. PATENT DOCUMENTS

D912,011	S	*	3/2021	Zhao	.....	H04R 1/1041
						D14/205
D912,017	S	*	3/2021	Chen	.....	D14/223
D914,652	S	*	3/2021	Chen	.....	D14/223
D920,293	S	*	5/2021	Chen	.....	D14/223
D924,851	S	*	7/2021	Li	.....	D14/223
D925,500	S	*	7/2021	Chen	.....	D14/223
D926,733	S	*	8/2021	Wu	.....	D14/223
D932,468	S	*	10/2021	Xin	.....	D14/223
D934,204	S	*	10/2021	Liao	.....	D14/223
D934,839	S	*	11/2021	Zhong	.....	D14/223
D936,637	S	*	11/2021	Lai	.....	D14/223
D940,691	S	*	1/2022	Zhang	.....	D14/223
D944,197	S	*	2/2022	Li	.....	D14/223
D945,402	S	*	3/2022	Yu	.....	D14/223

OTHER PUBLICATIONS

Wireless Earbuds, first available Nov. 5, 2021 [online], [retrieved Apr. 4, 2022]. Available from the Internet, URL:<[https://www.amazon.com/dp/B09NLGP225/ref=cm\\_sw\\_em\\_r\\_mt\\_dp\\_016RNCP3CA1CAK8AJGE1?\\_encoding=UTF8&psc=1](https://www.amazon.com/dp/B09NLGP225/ref=cm_sw_em_r_mt_dp_016RNCP3CA1CAK8AJGE1?_encoding=UTF8&psc=1)>. (Year: 2021).\*

\* cited by examiner

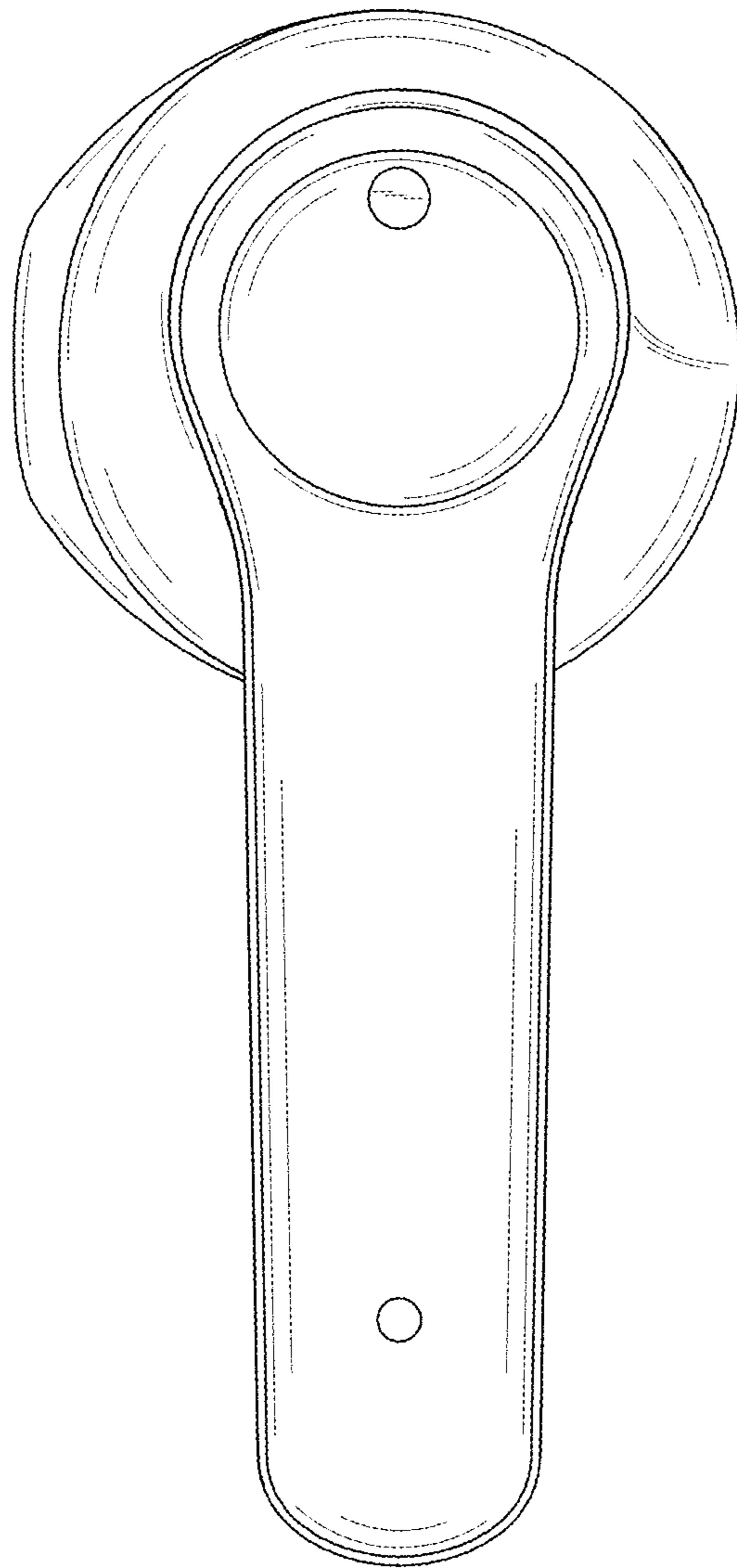


FIG.1

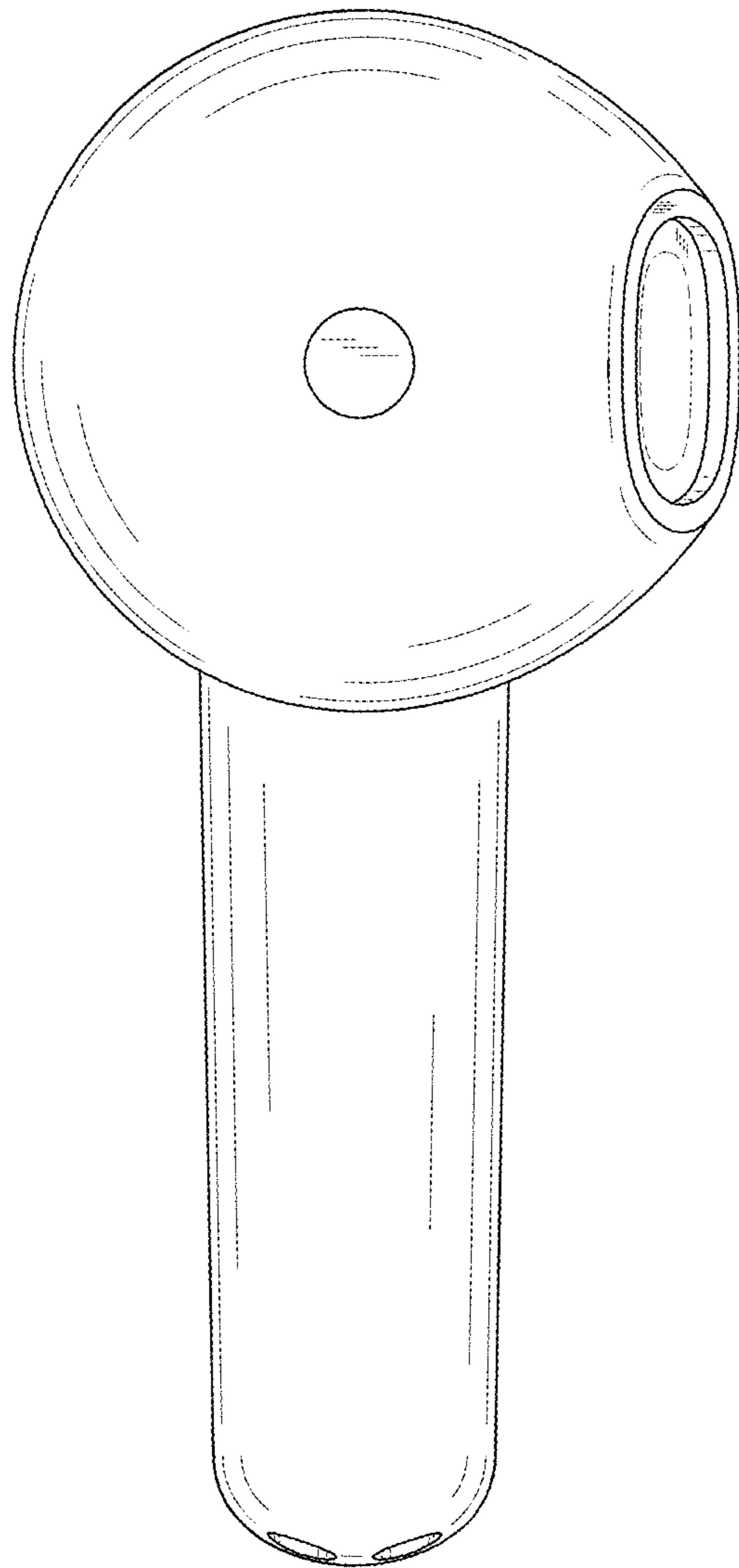


FIG.2

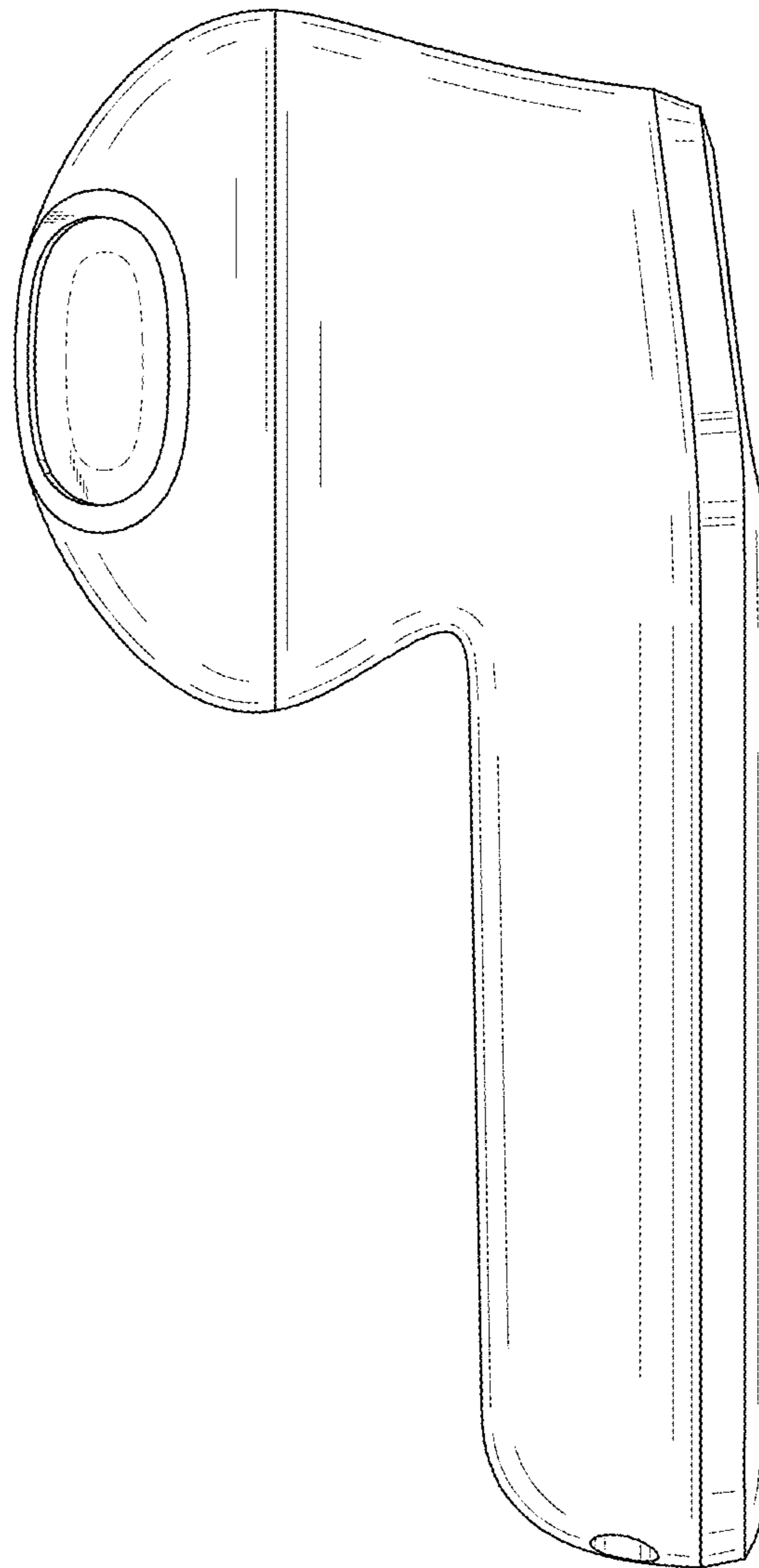


FIG.3

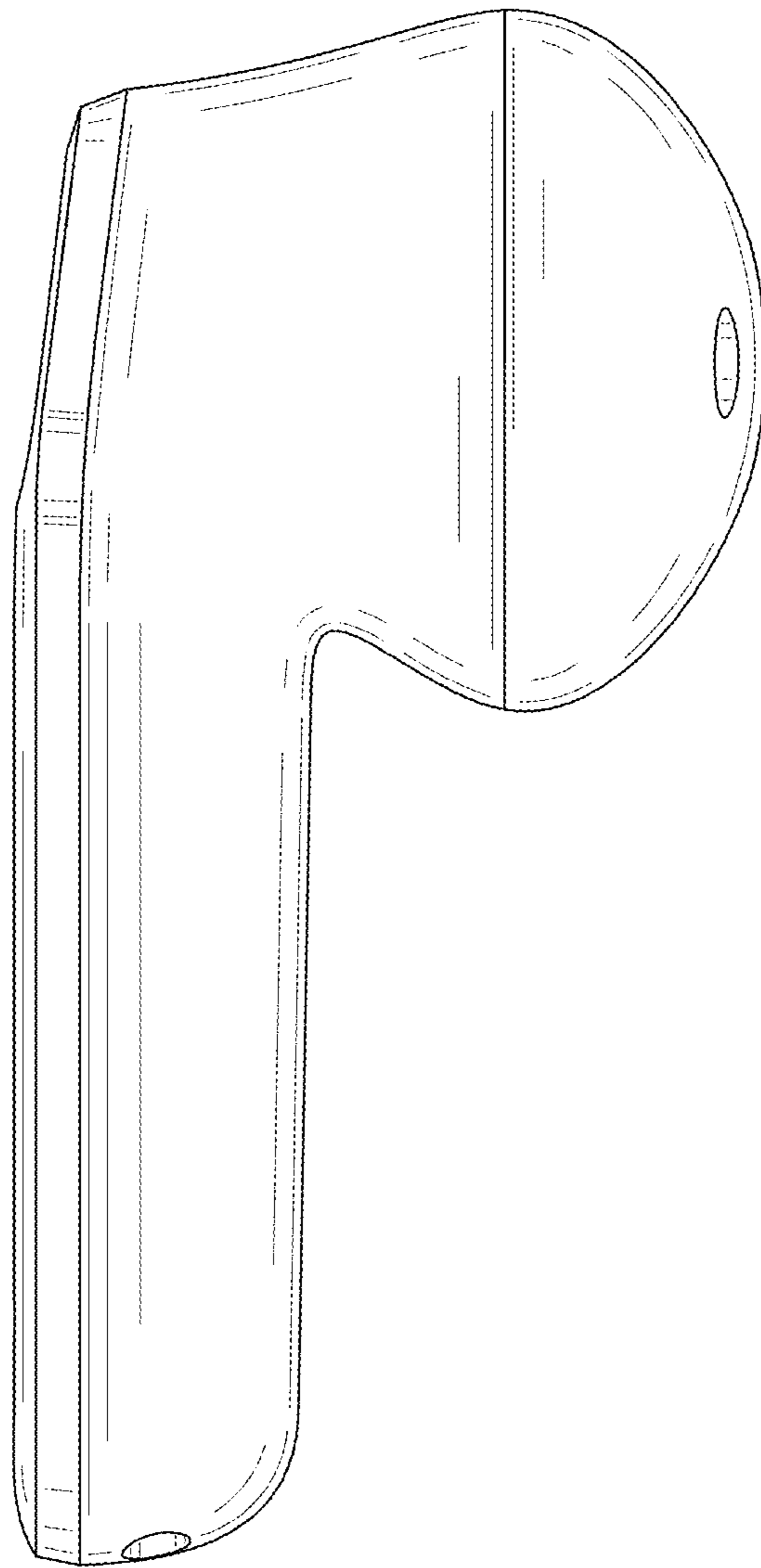


FIG.4

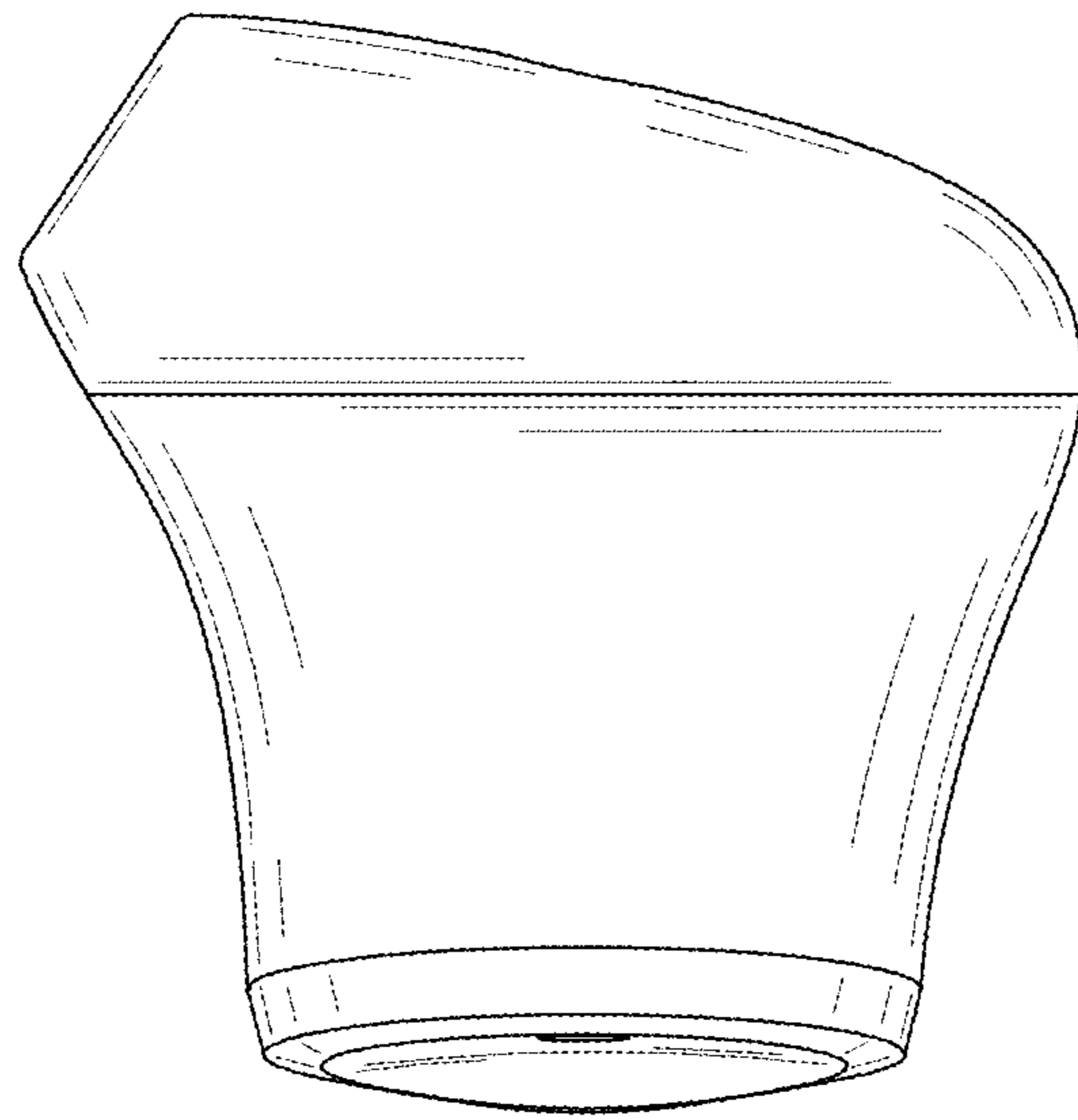


FIG. 5

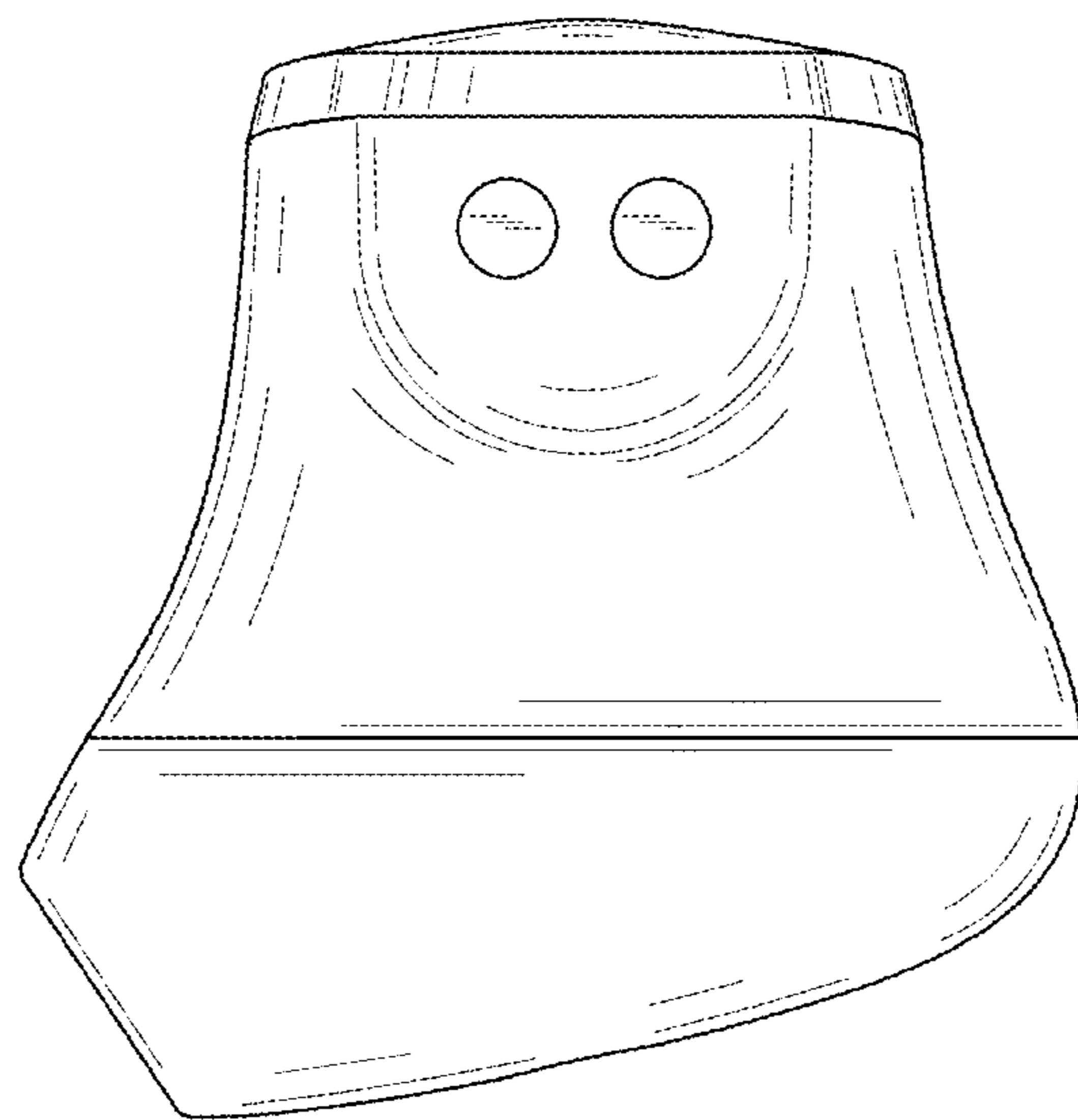


FIG. 6

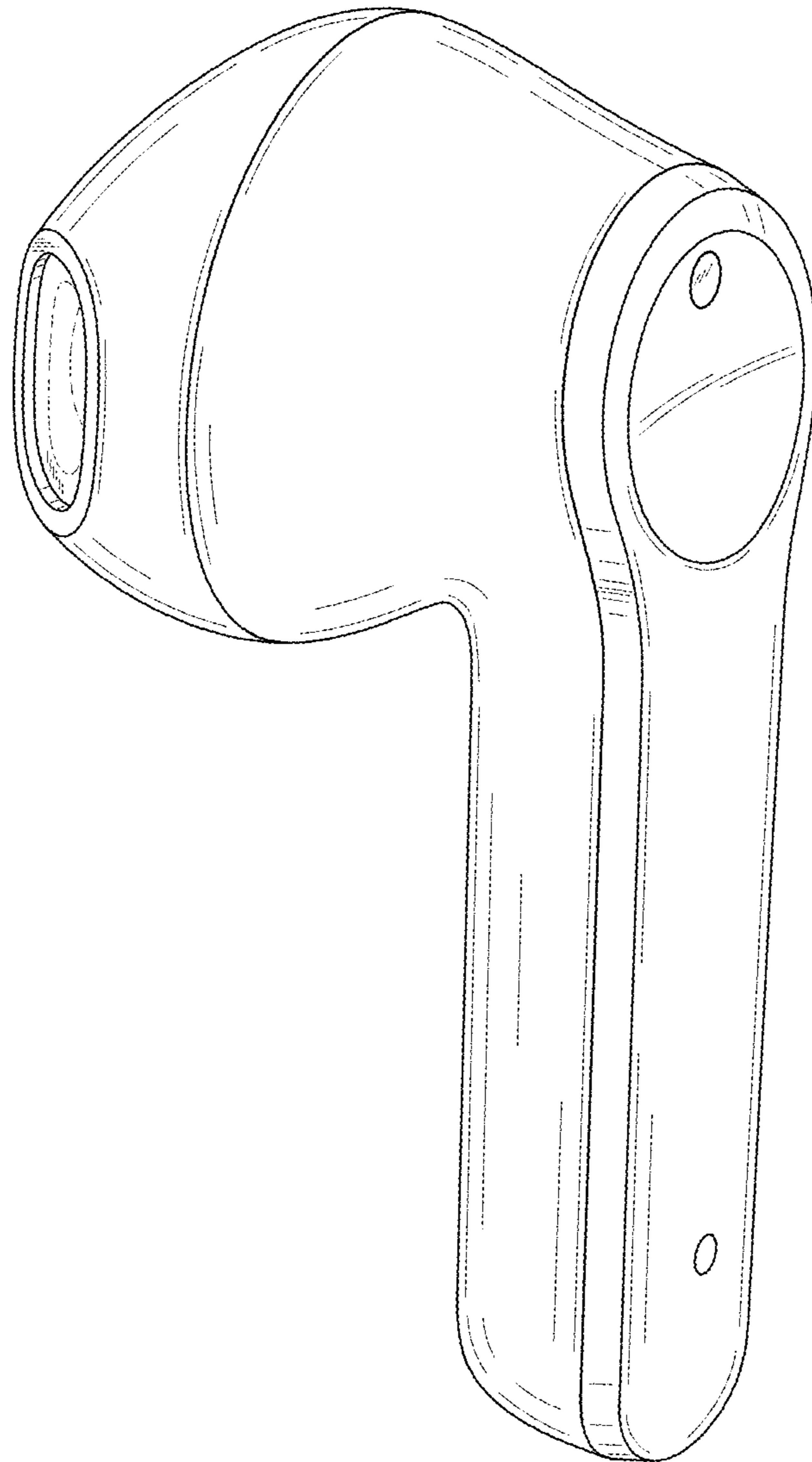


FIG.7



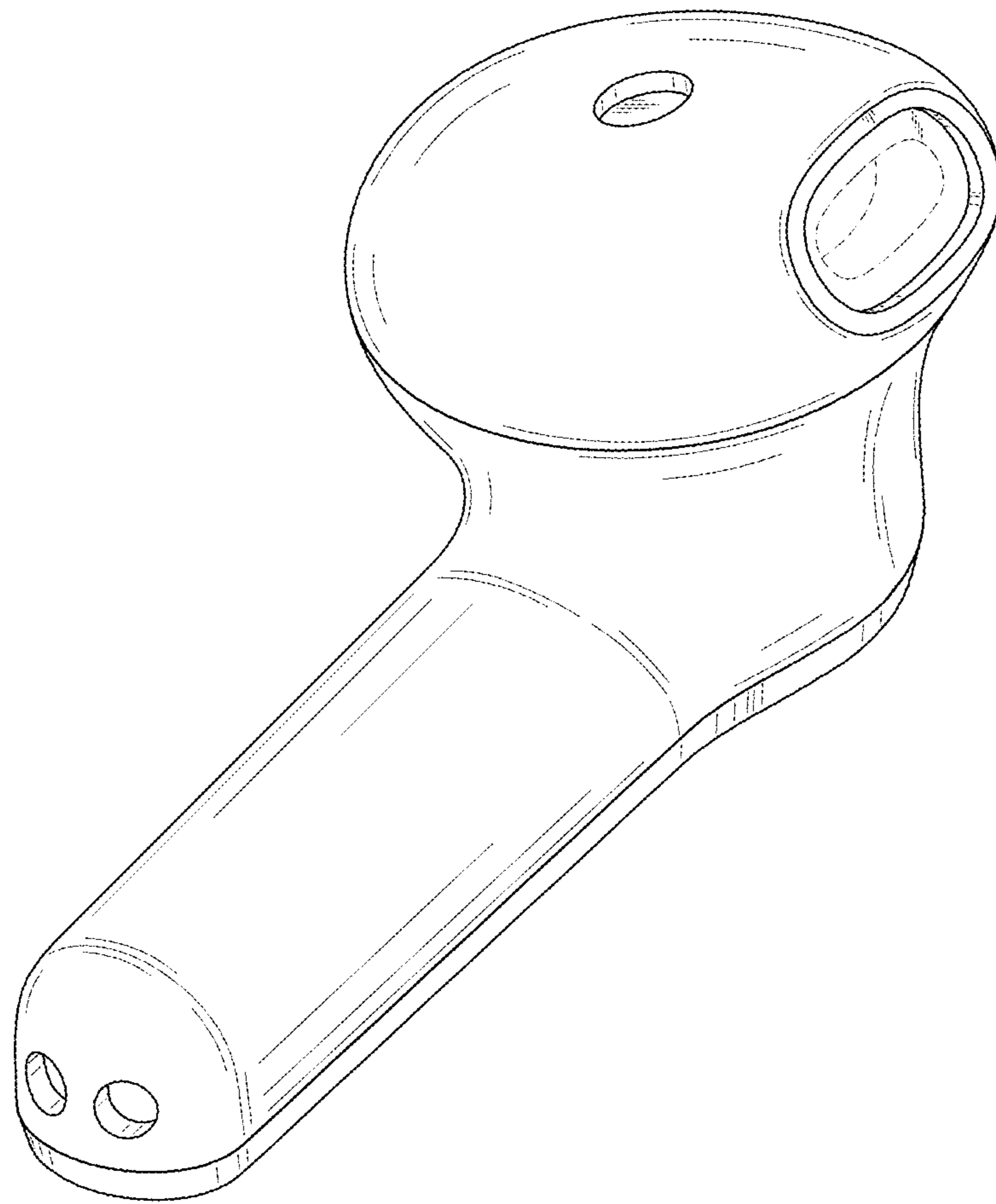


FIG.8