

US00D962199S

(12) **United States Design Patent**  
**Huang**

(10) **Patent No.:** **US D962,199 S**  
(45) **Date of Patent:** **\*\* Aug. 30, 2022**

(54) **ADAPTER OF EARPHONE AND EARTIP**

(71) Applicant: **REXTEC INTERNATIONAL LTD.,**  
Taipei (TW)

(72) Inventor: **Cheng Houng Huang,** Taipei (TW)

(73) Assignee: **REXTEC INTERNATIONAL LTD.,**  
Taipei (TW)

(\*\*) Term: **15 Years**

(21) Appl. No.: **29/736,430**

(22) Filed: **May 29, 2020**

(51) **LOC (13) Cl.** ..... **14-01**

(52) **U.S. Cl.**  
USPC ..... **D14/223**

(58) **Field of Classification Search**  
USPC ..... D14/223, 205; D24/106, 174; 128/864,  
128/865, 866; 381/380, 381, 325;  
181/158; 455/90.3, 575.1, 569.1  
CPC ..... H04R 1/10; H04R 25/00; H04R 25/02;  
H04R 1/1066; H04R 1/1016; H04R  
5/033; H04R 5/0335; H04R 1/105; H04R  
1/1083; H04R 1/1091  
See application file for complete search history.

(56) **References Cited**

**U.S. PATENT DOCUMENTS**

- 1,952,577 A \* 3/1934 Bennett ..... H04R 25/04  
381/161
- 2,070,403 A \* 2/1937 Hershman ..... A61F 11/08  
128/864
- 2,393,340 A \* 1/1946 Stanton ..... A61F 11/08  
128/864
- 2,430,229 A \* 11/1947 Kelsey ..... H04R 25/656  
381/313
- 2,513,985 A \* 7/1950 Woodruff ..... H04R 1/1008  
381/372

- 2,584,402 A \* 2/1952 Volkmann ..... H04R 1/1083  
D14/242
- 2,619,960 A \* 12/1952 Reynolds ..... A61F 11/08  
128/868
- 3,124,663 A \* 3/1964 Beaudry ..... H04R 25/48  
181/158
- D210,666 S \* 4/1968 Beaudry ..... D24/174
- 3,408,461 A \* 10/1968 Langford ..... H04R 25/60  
381/328
- 3,565,069 A \* 2/1971 Robert ..... A61F 11/08  
128/867
- 3,871,372 A \* 3/1975 Bivins ..... G02C 11/00  
D24/106

(Continued)

*Primary Examiner* — Paula Allen Greene

(74) *Attorney, Agent, or Firm* — Rabin & Berdo, P.C

(57) **CLAIM**

The ornamental design for an adapter of earphone and eartip, as shown and described.

**DESCRIPTION**

FIG. 1 is a perspective view of an adapter of earphone and eartip, in which the broken lines form no part of the claimed design;

FIG. 2 is a front view thereof;

FIG. 3 is a rear view thereof;

FIG. 4 is a left side view thereof;

FIG. 5 is a right side view thereof;

FIG. 6 is a top view thereof;

FIG. 7 is a bottom view thereof;

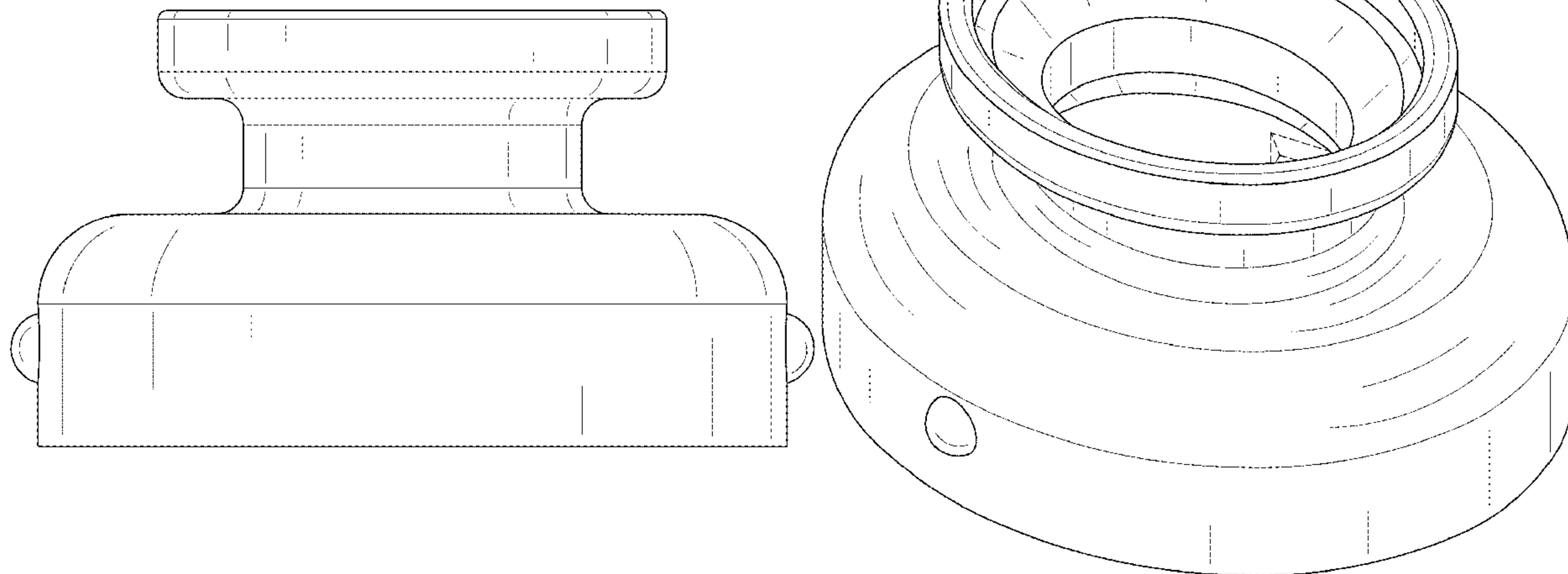
FIG. 8 is another perspective view thereof, in which the broken lines form no part of the claimed design;

FIG. 9 is a reference view thereof, in which the broken lines form no part of the claimed design; and,

FIG. 10 is another reference view thereof, in which the broken lines form no part of the claimed design.

The broken lines illustrate portions of the adapter of earphone and eartip that form no part of the claimed design.

**1 Claim, 10 Drawing Sheets**



(56)

References Cited

U.S. PATENT DOCUMENTS

3,921,756 A \* 11/1975 Johnson ..... H04R 25/652  
181/135  
3,934,100 A \* 1/1976 Harada ..... G10K 11/22  
181/135  
3,935,401 A \* 1/1976 Shore ..... H04R 1/1016  
181/135  
4,055,233 A \* 10/1977 Huntress ..... H04R 1/1016  
181/135  
4,069,400 A \* 1/1978 Johanson ..... H04R 25/60  
381/322  
4,168,697 A \* 9/1979 Cantekin ..... A61F 11/202  
128/868  
D267,429 S \* 12/1982 Harada ..... D24/174  
4,407,389 A \* 10/1983 Johnson ..... H04R 25/652  
381/328  
4,457,396 A \* 7/1984 James ..... H04R 1/345  
181/129  
4,553,627 A \* 11/1985 Gastmeier ..... H04R 25/654  
381/328  
D287,765 S \* 1/1987 Topholm ..... D24/174  
4,696,045 A \* 9/1987 Rosenthal ..... H04R 1/46  
381/189  
4,878,560 A \* 11/1989 Scott ..... H04R 25/656  
381/328  
5,054,079 A \* 10/1991 Frielingsdorf ..... H04R 1/46  
379/430  
5,319,163 A \* 6/1994 Scott ..... H04R 25/652  
381/328  
5,345,509 A \* 9/1994 Hofer ..... H04R 25/652  
381/328  
D368,309 S \* 3/1996 Narisawa ..... D24/174  
5,748,743 A \* 5/1998 Weeks ..... H04R 25/656  
381/328  
D399,001 S \* 9/1998 Yabe ..... D24/174  
5,864,628 A \* 1/1999 Posen ..... H04R 25/654  
381/328  
5,920,636 A \* 7/1999 Oliveira ..... H04R 25/656  
381/328

D413,379 S \* 8/1999 Leight ..... D24/106  
D420,136 S \* 2/2000 Barnard ..... D24/174  
D430,673 S \* 9/2000 Lindekugel ..... D24/182  
D478,991 S \* 8/2003 Dyer ..... D24/174  
6,830,124 B2 \* 12/2004 Chiang ..... A61F 11/08  
181/135  
D505,132 S \* 5/2005 Linville ..... D14/223  
D514,094 S \* 1/2006 Griffin ..... D14/223  
7,110,562 B1 \* 9/2006 Feeley ..... H04R 25/607  
381/328  
D556,326 S \* 11/2007 Espersen ..... D24/174  
D591,732 S \* 5/2009 Burton ..... D14/223  
D595,268 S \* 6/2009 Kolton ..... D14/223  
D599,907 S \* 9/2009 Mulvey ..... H04R 1/1016  
D24/174  
D601,134 S \* 9/2009 Elabidi ..... D14/223  
D618,219 S \* 6/2010 Burgett ..... D14/223  
D622,265 S \* 8/2010 Rye ..... D14/223  
D622,705 S \* 8/2010 Fahrendorff ..... D14/223  
8,050,437 B2 \* 11/2011 Feeley ..... H04R 1/10  
381/322  
D660,289 S \* 5/2012 Lee ..... D14/223  
D666,581 S \* 9/2012 Perez ..... D14/223  
8,565,466 B2 \* 10/2013 Kuhr ..... H04R 1/1016  
381/381  
8,983,108 B2 \* 3/2015 Ho ..... H04R 1/1058  
381/328  
D773,439 S \* 12/2016 Walker ..... D14/223  
D789,909 S \* 6/2017 Hung ..... D14/223  
D919,079 S \* 5/2021 Mann ..... D24/106  
2005/0238192 A1 \* 10/2005 Ford ..... H04R 25/654  
381/328  
2008/0144870 A1 \* 6/2008 Oliveira ..... H04R 1/1058  
381/324  
2012/0114160 A1 \* 5/2012 Lin ..... H04R 1/1091  
381/380  
2013/0188819 A1 \* 7/2013 Young-Mun ..... H04R 25/652  
181/129  
2014/0205131 A1 \* 7/2014 Azmi ..... H04R 1/1075  
381/380  
2021/0029437 A1 \* 1/2021 Tseng ..... H04R 1/1058

\* cited by examiner

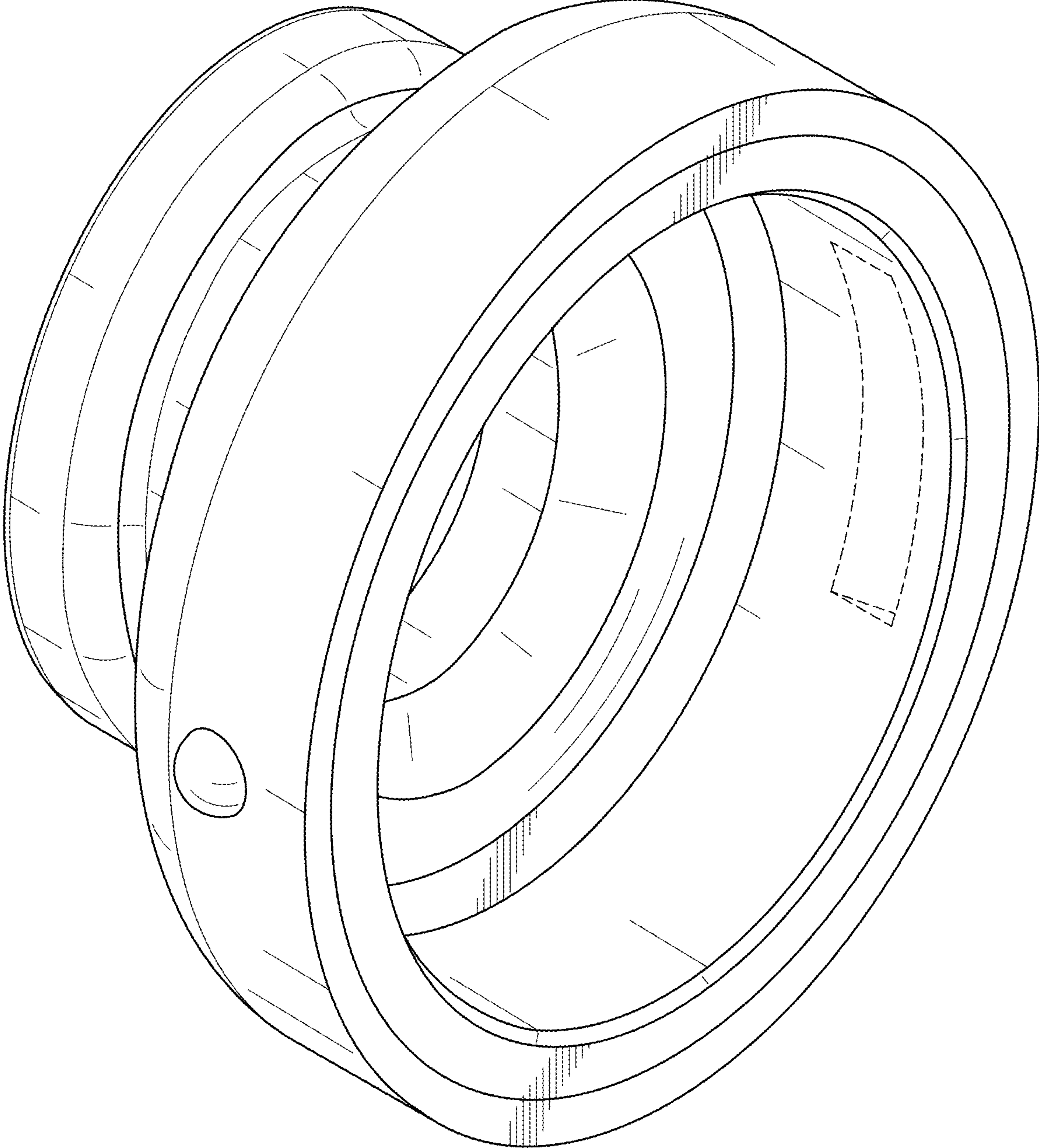


FIG. 1

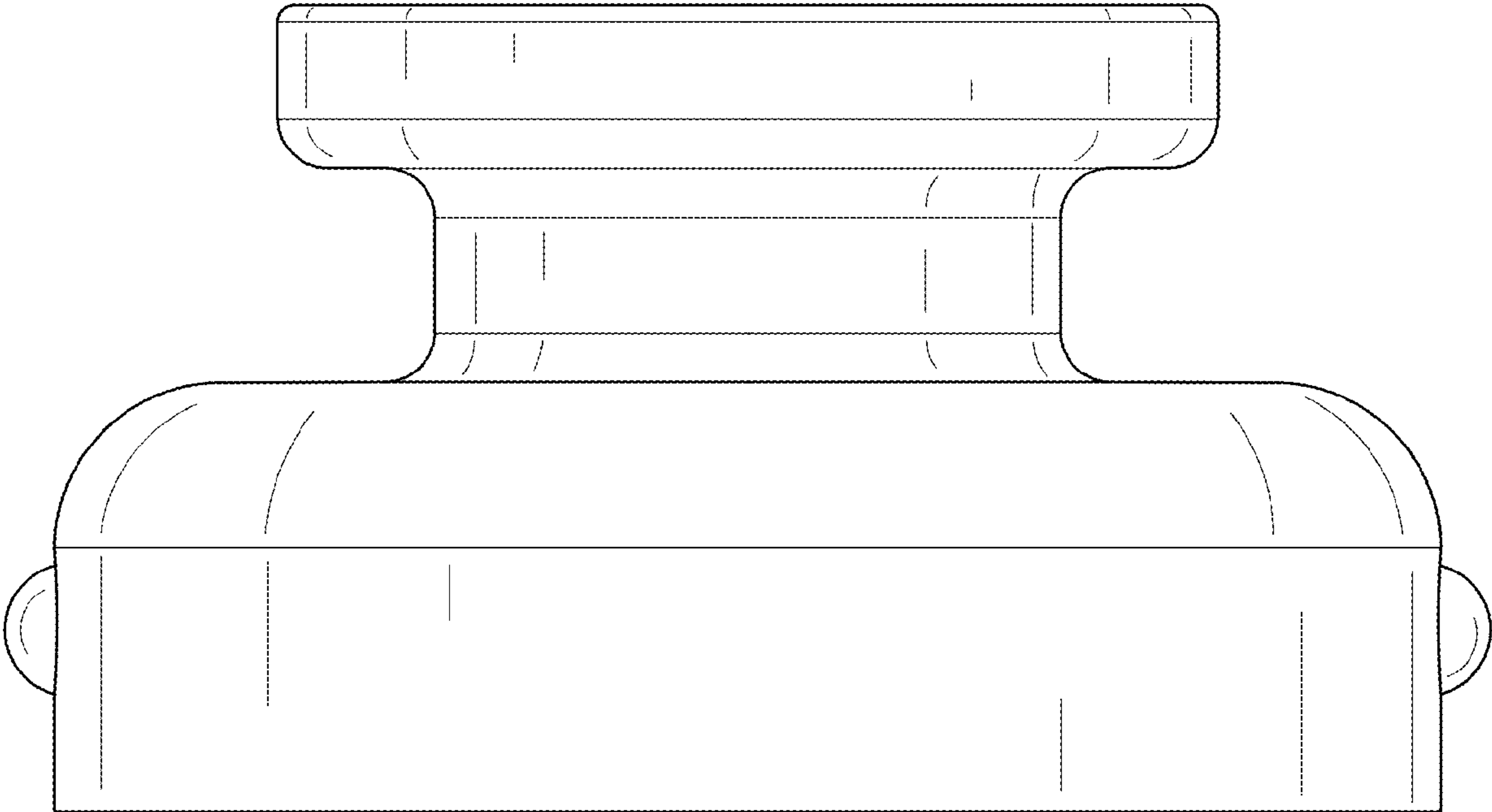


FIG. 2



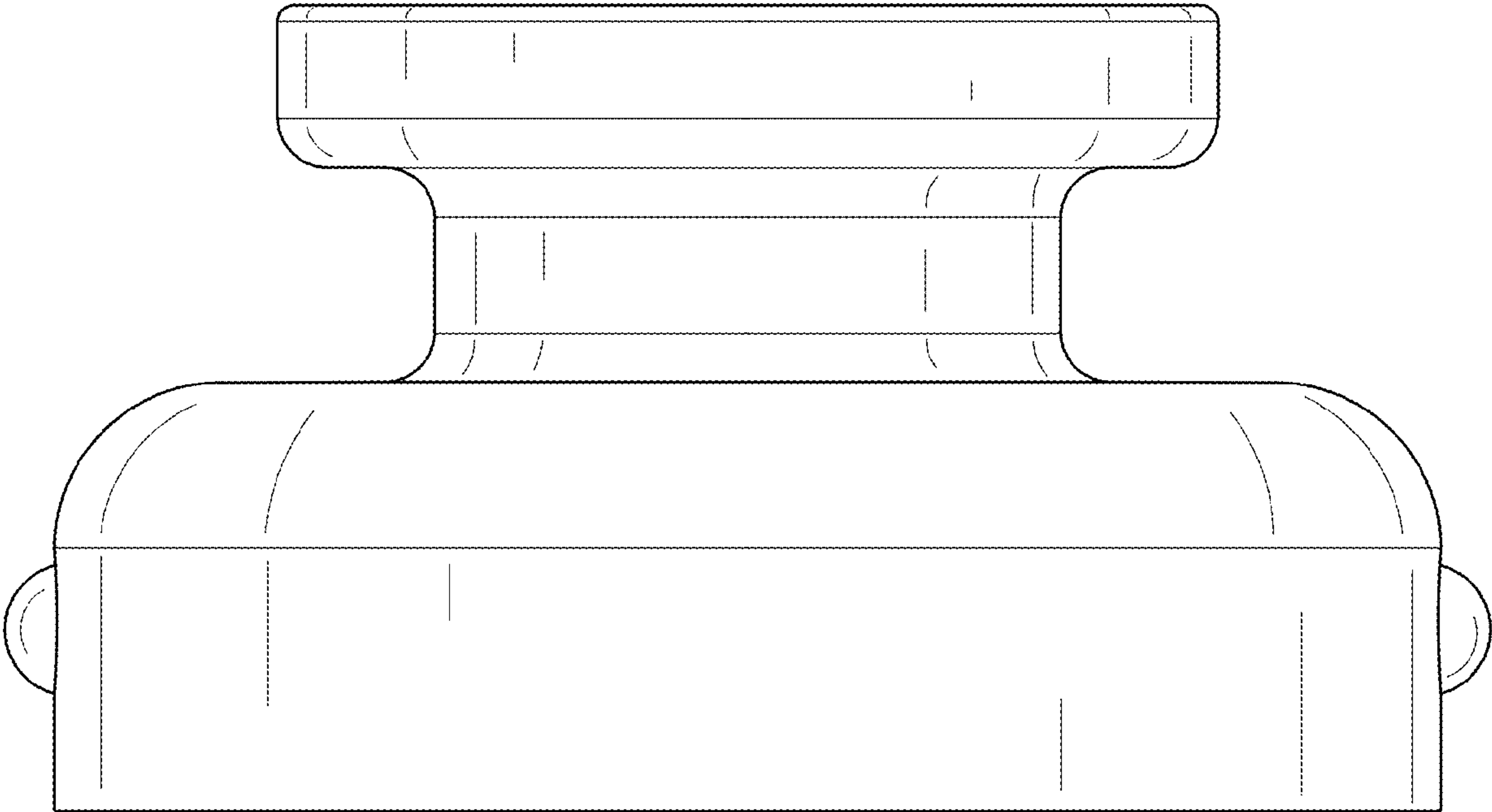


FIG. 3

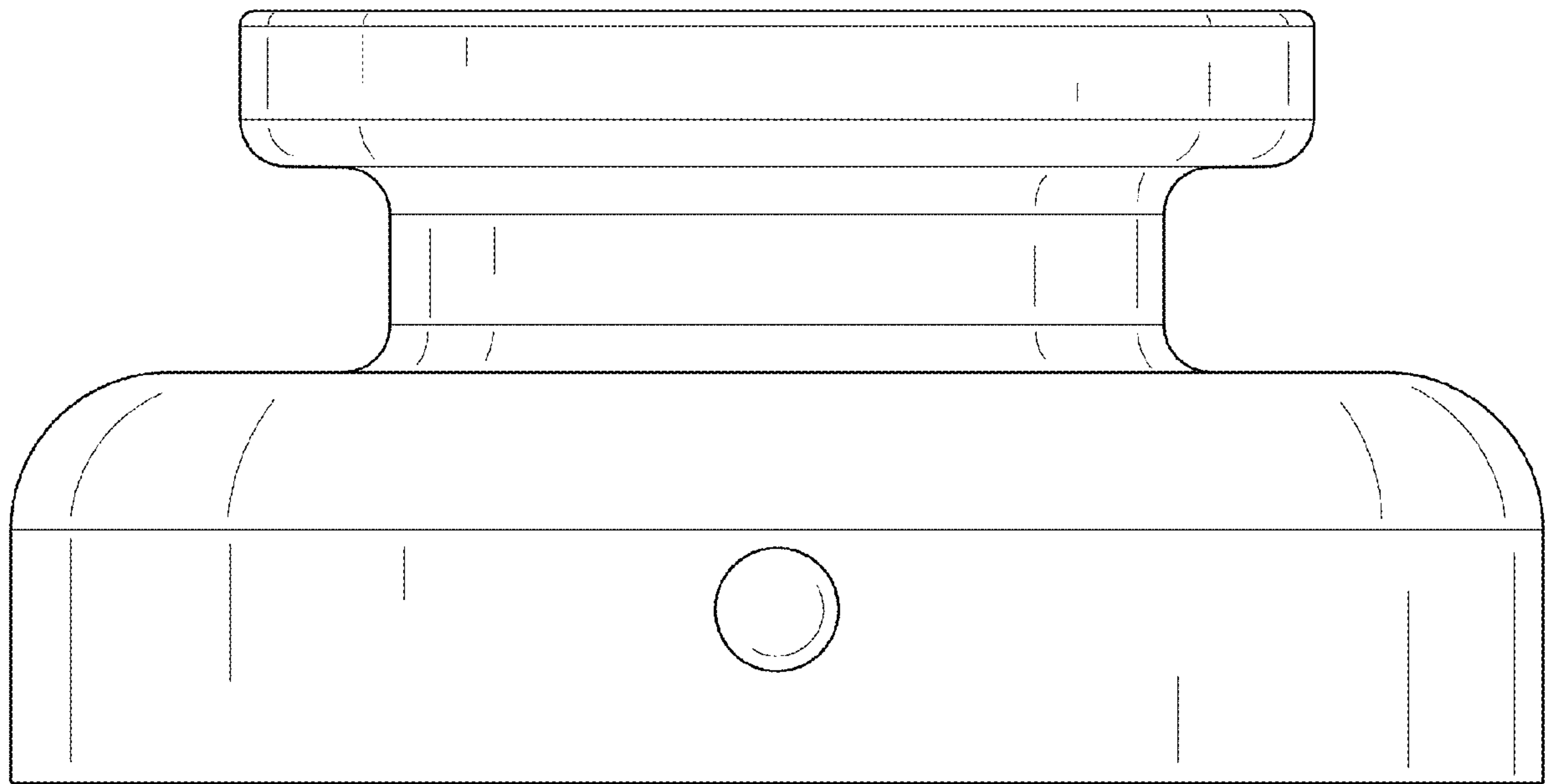


FIG. 4

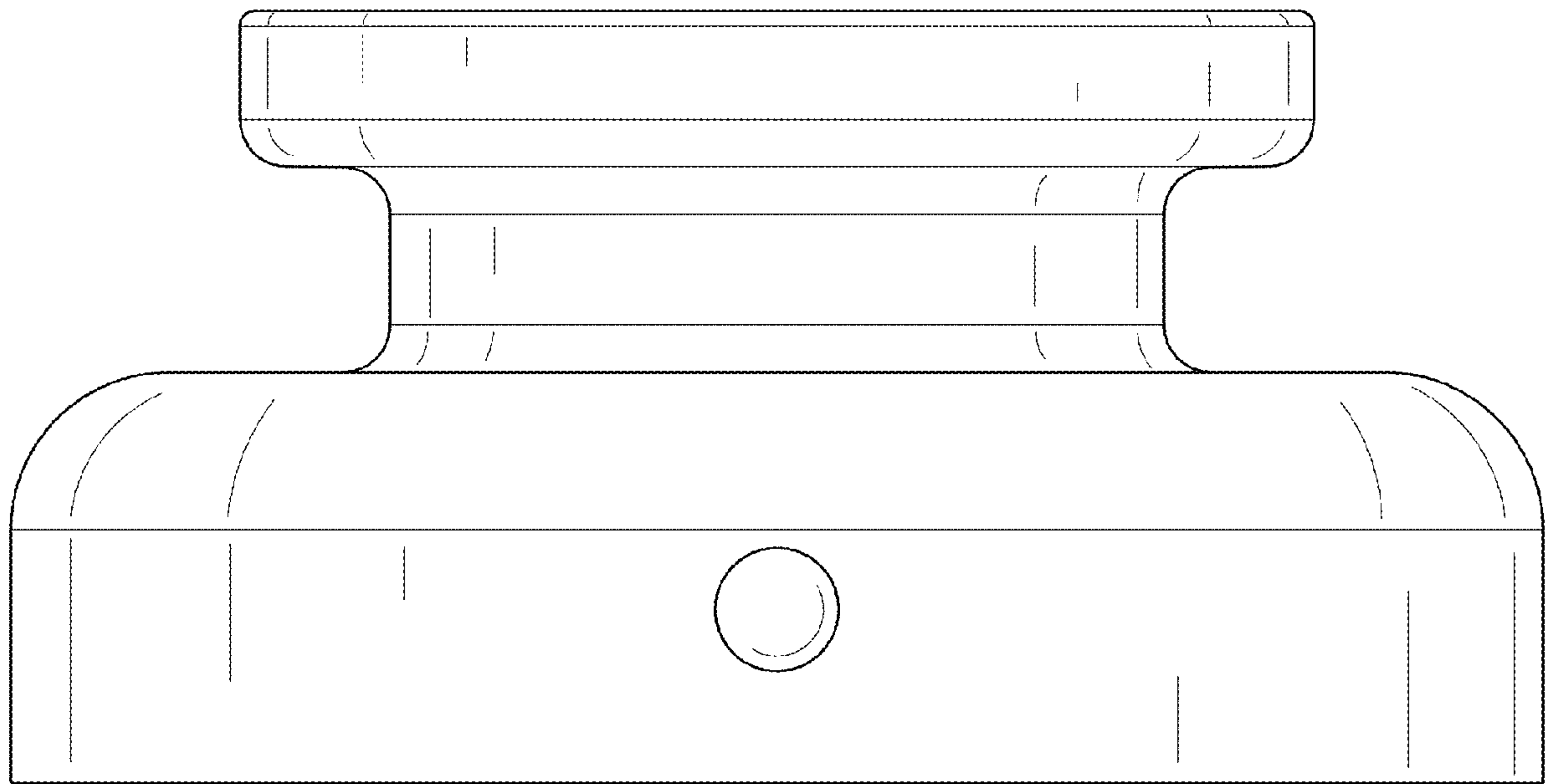


FIG. 5

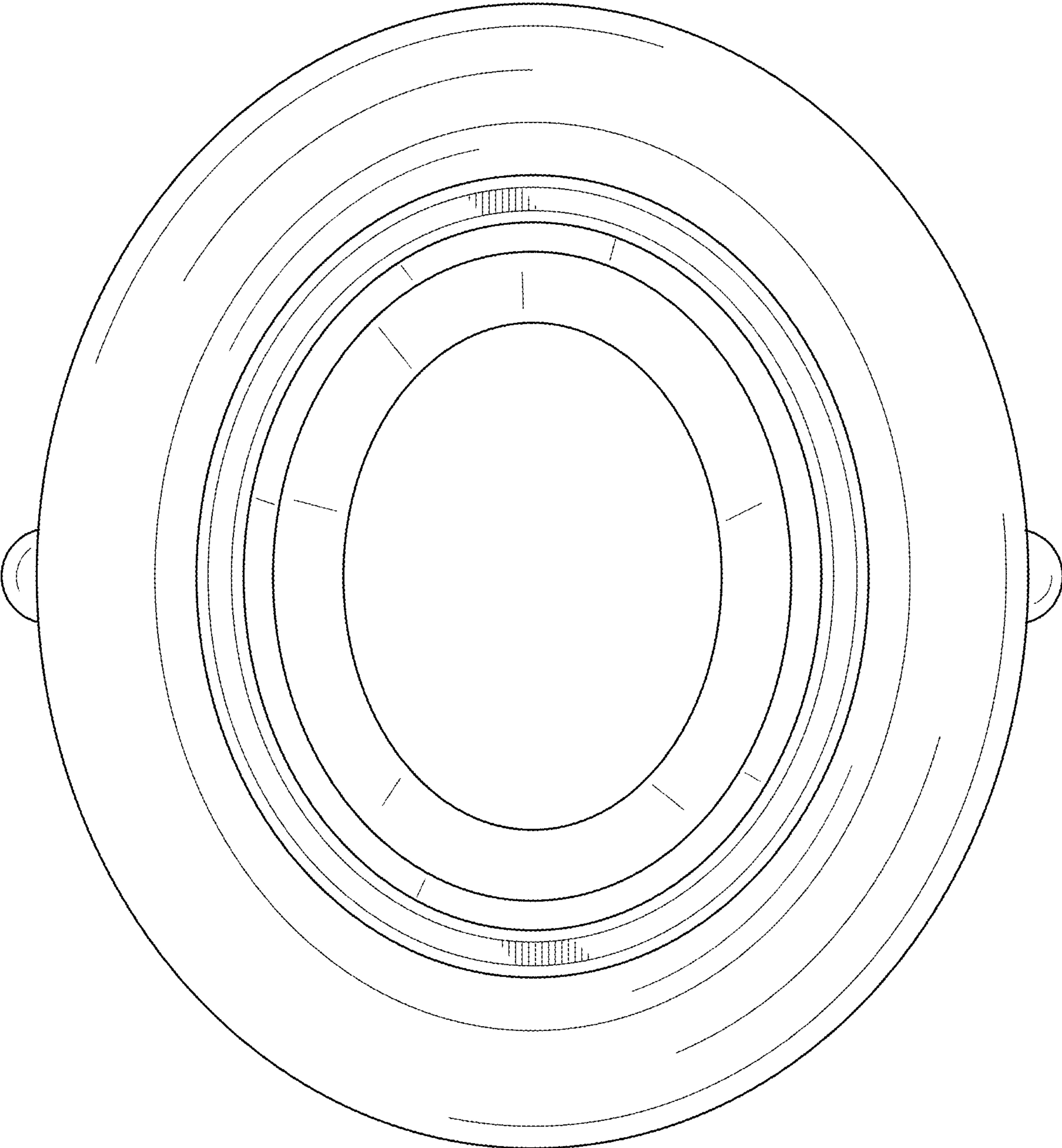


FIG. 6



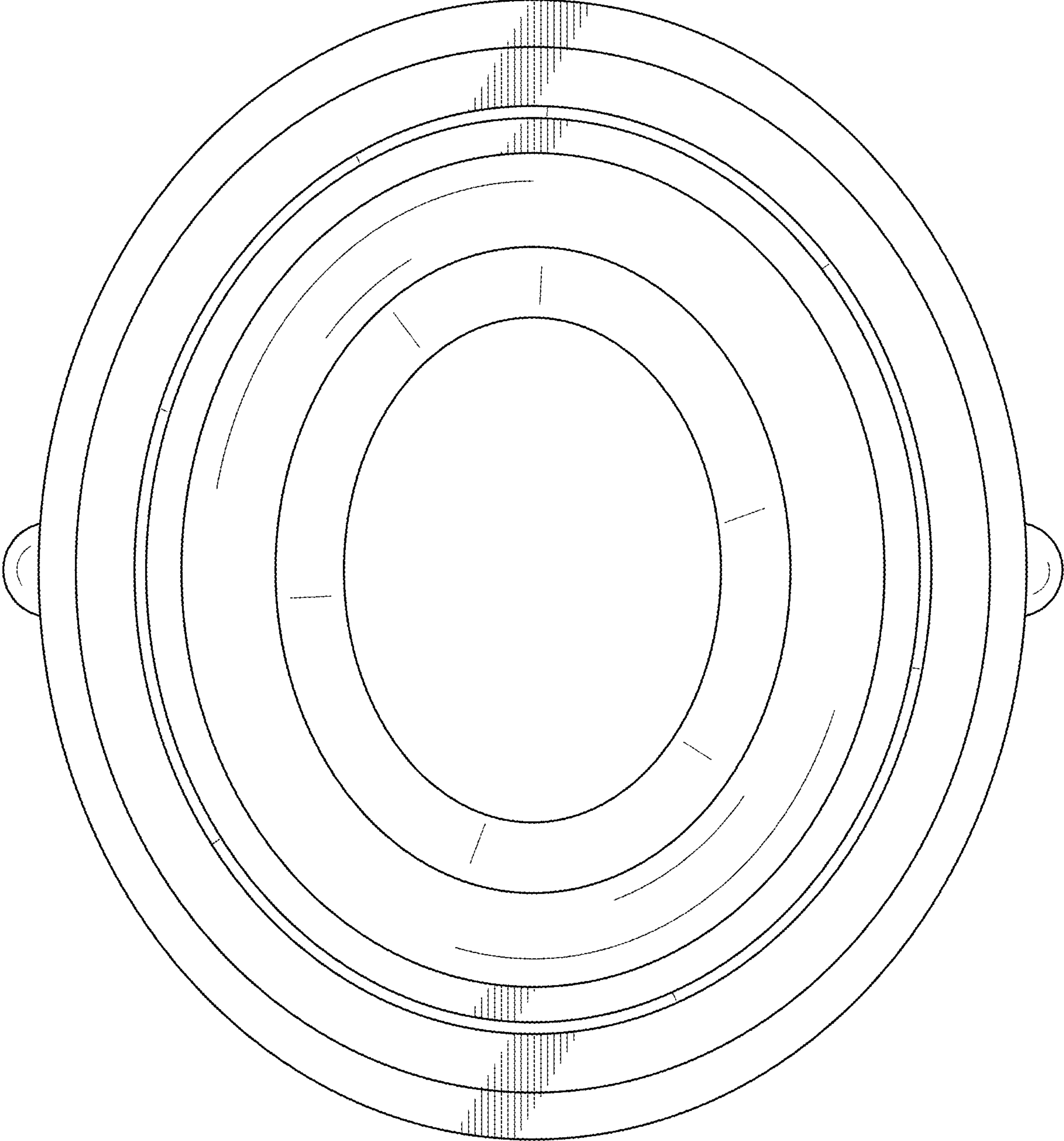


FIG. 7

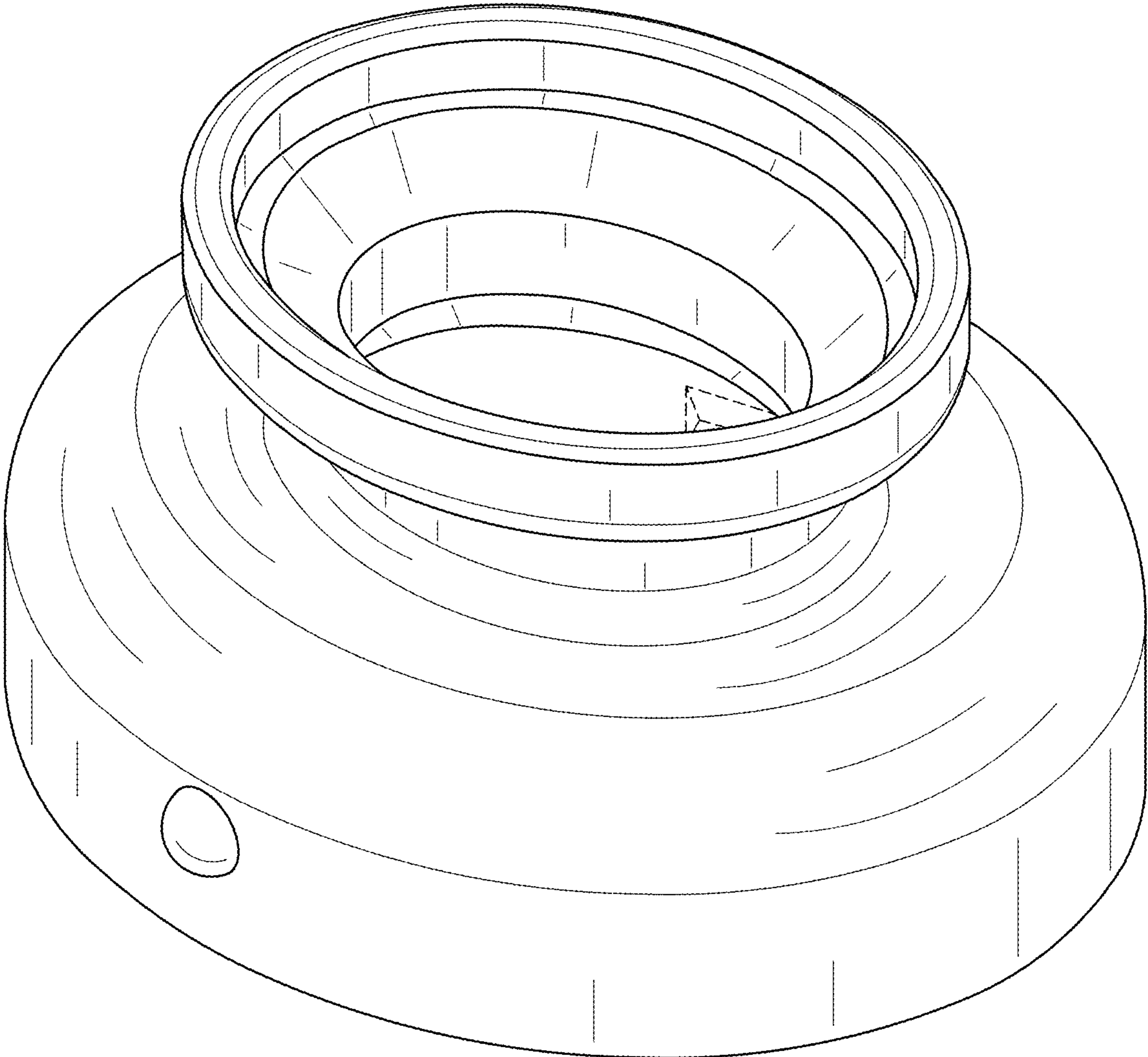


FIG. 8

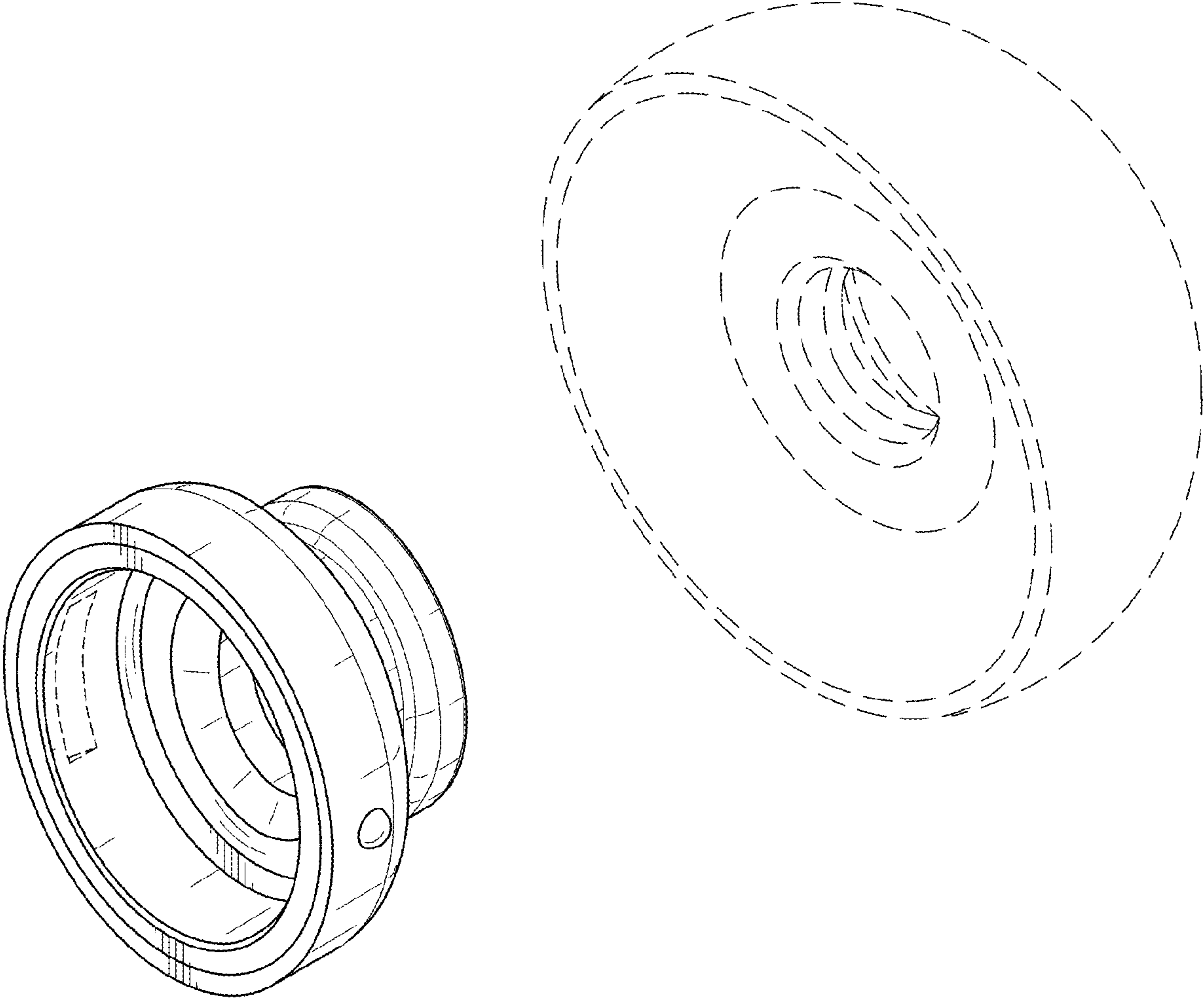


FIG. 9

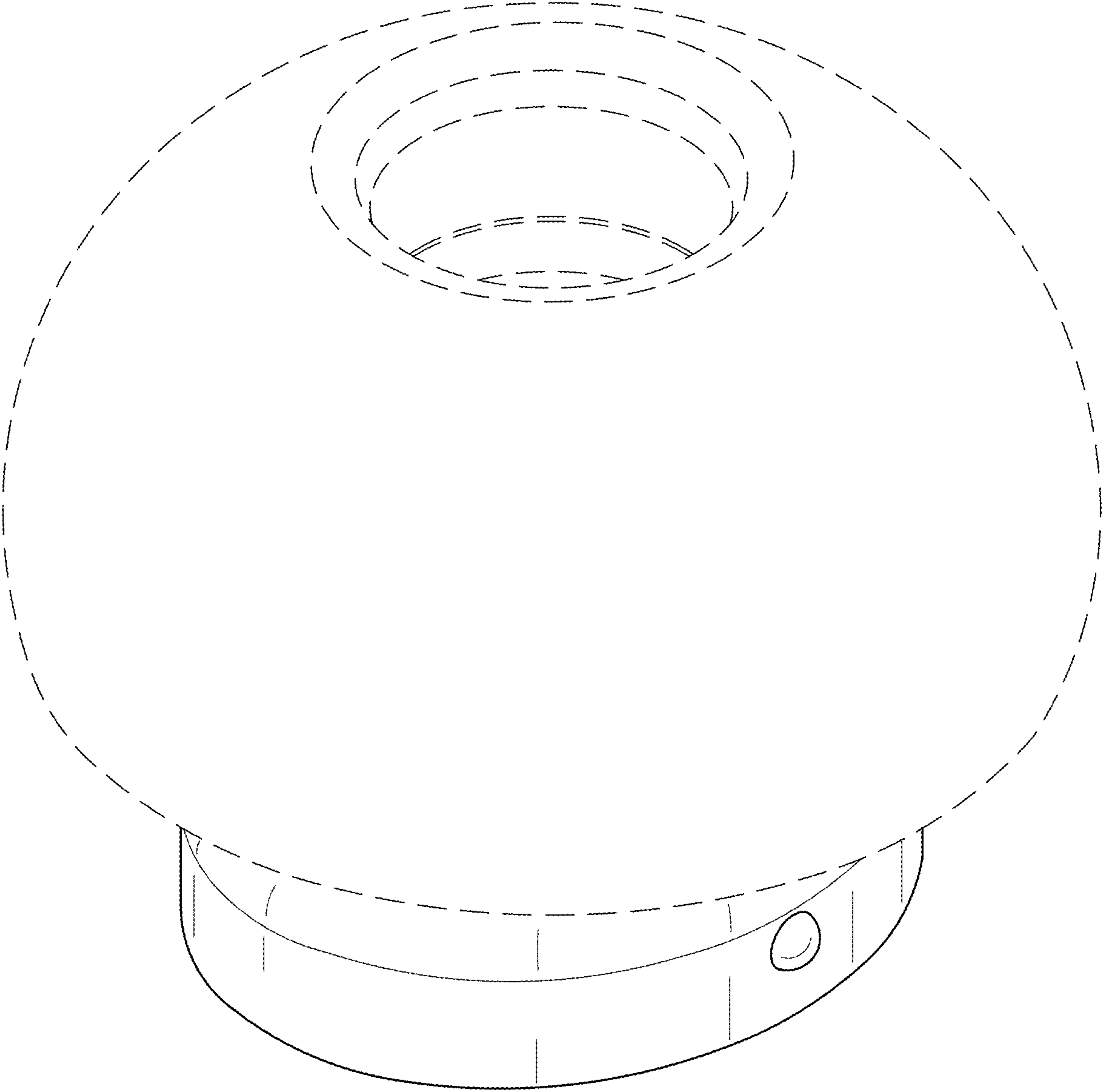


FIG. 10