



US00D962198S

(12) **United States Design Patent**  
**Tseng**

(10) **Patent No.:** **US D962,198 S**  
(45) **Date of Patent:** **\*\* Aug. 30, 2022**

(54) **EARPLUG**

(71) Applicant: **TOONG IN ELECTRONIC CORP.**,  
New Taipei (TW)

(72) Inventor: **Teng-Song Tseng**, New Taipei (TW)

(73) Assignee: **Toong In Electronic Corp.**, New  
Taipei (TW)

(\*\*) Term: **15 Years**

(21) Appl. No.: **29/704,156**

(22) Filed: **Sep. 3, 2019**

(51) **LOC (13) Cl.** ..... **14-01**

(52) **U.S. Cl.**  
USPC ..... **D14/223**

(58) **Field of Classification Search**  
USPC ... D14/205, 207, 217, 221, 223, 224, 224.1,  
D14/225; D24/173, 174  
CPC ..... H04R 1/10; H04R 1/1016; H04R 1/1066;  
H04R 1/105; H04R 1/1033; H04R 1/08;  
H04R 5/033; H04R 5/0335; H04R 25/00  
See application file for complete search history.

(56) **References Cited**

**U.S. PATENT DOCUMENTS**

|           |    |   |         |            |       |             |
|-----------|----|---|---------|------------|-------|-------------|
| 4,965,836 | A  | * | 10/1990 | Andre      | ..... | H04R 1/1008 |
|           |    |   |         |            |       | 181/129     |
| D514,552  | S  | * | 2/2006  | Lee        | ..... | D14/205     |
| D589,151  | S  | * | 3/2009  | Sabio      | ..... | D24/174     |
| D688,650  | S  | * | 8/2013  | Chen       | ..... | D14/223     |
| D754,633  | S  | * | 4/2016  | Himuro     | ..... | D14/205     |
| 9,307,313 | B2 | * | 4/2016  | Kurtz      | ..... | H04R 1/1058 |
| D804,034  | S  | * | 11/2017 | Gabathuler | ..... | D24/174     |
| D806,054  | S  | * | 12/2017 | Degrave    | ..... | D14/205     |
| D817,932  | S  | * | 5/2018  | Hsieh      | ..... | D14/223     |
| D856,304  | S  | * | 8/2019  | Lamb       | ..... | D14/217     |

(Continued)

**FOREIGN PATENT DOCUMENTS**

CN 304690705 \* 6/2018  
JP D1440217 \* 4/2012

(Continued)

**OTHER PUBLICATIONS**

Man Ship 316 SS Formed Oval Opening Portlights, announced ©  
2021 [online], retrieved Jun. 2, 2021, retrieved from internet,  
<https://whitewatermh.com/product/oval-opening-portlights/>.\*

(Continued)

*Primary Examiner* — Messina L Smith

(74) *Attorney, Agent, or Firm* — Rosenberg, Klein & Lee

(57) **CLAIM**

The ornamental design for an earplug, as shown and  
described.

**DESCRIPTION**

FIG. 1 is a perspective view of an earplug according to the  
present design.

FIG. 2 is a front view of FIG. 1.

FIG. 3 is a cross-section view of the earplug taken in the  
direction of line 3-3 in FIG. 2.

FIG. 4 is a rear view of FIG. 1.

FIG. 5 is a left view of FIG. 1.

FIG. 6 is a right view of FIG. 1.

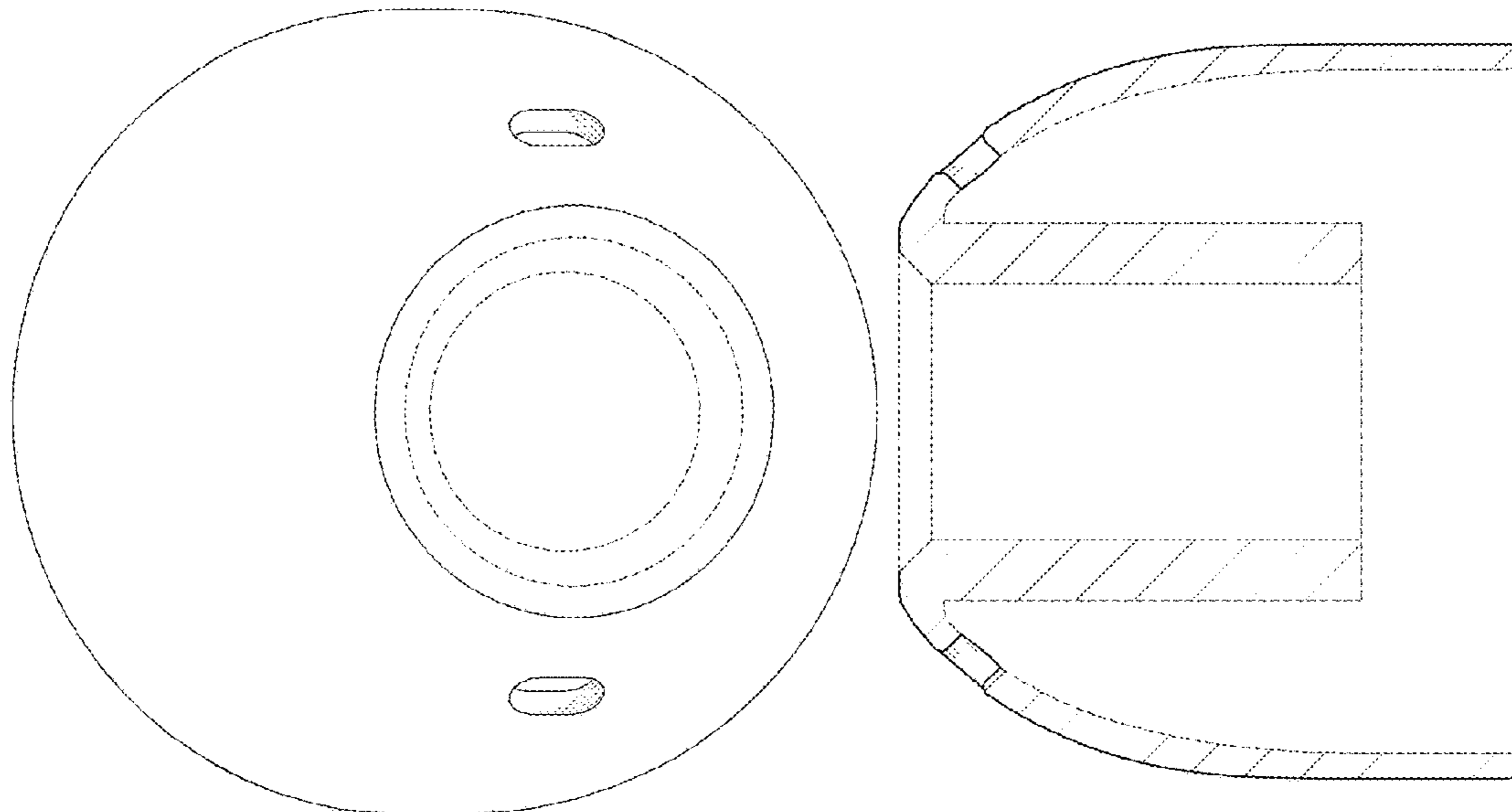
FIG. 7 is a top view of FIG. 1.

FIG. 8 is a bottom view of FIG. 1; and,

FIG. 9 is-a perspective view of the earplug shown in an  
environment of use.

The broken lines showing of the earphone in FIG. 9 is for the  
purpose of depicting environment and forms no part of the  
claimed design. All other broken lines depict portions of the  
earplug that form no part of the claimed design. The cord in  
FIG. 9 is shown with a symbolic break in its length. The  
appearance of any portion of the article beyond the break  
line forms no part of the claimed design.

**1 Claim, 9 Drawing Sheets**



(56)

References Cited

U.S. PATENT DOCUMENTS

|              |    |   |         |          |       |                        |
|--------------|----|---|---------|----------|-------|------------------------|
| D857,653     | S  | * | 8/2019  | Hu       | ..... | D14/205                |
| D864,166     | S  | * | 10/2019 | You      | ..... | D14/223                |
| D877,722     | S  | * | 3/2020  | Yang     | ..... | D14/223                |
| D885,373     | S  | * | 5/2020  | Lundback | ..... | D14/223                |
| D887,287     | S  | * | 6/2020  | Kong     | ..... | D10/31                 |
| D889,439     | S  | * | 7/2020  | Hsieh    | ..... | D14/223                |
| D896,788     | S  | * | 9/2020  | Akana    | ..... | D14/223                |
| D897,319     | S  | * | 9/2020  | Wang     | ..... | D14/223                |
| D897,322     | S  | * | 9/2020  | Wei      | ..... | D14/223                |
| D897,996     | S  | * | 10/2020 | Mei      | ..... | D14/223                |
| D897,997     | S  | * | 10/2020 | Zhang    | ..... | D14/223                |
| D902,186     | S  | * | 11/2020 | Sun      | ..... | D14/223                |
| D905,666     | S  | * | 12/2020 | Yun      | ..... | D14/223                |
| D934,842     | S  | * | 11/2021 | Mok      | ..... | D14/223                |
| D935,434     | S  | * | 11/2021 | Cai      | ..... | D14/205                |
| D935,435     | S  | * | 11/2021 | Cai      | ..... | D14/205                |
| D936,034     | S  | * | 11/2021 | Yoshida  | ..... | D14/223                |
| D937,246     | S  | * | 11/2021 | Li       | ..... | D14/223                |
| D938,386     | S  | * | 12/2021 | Park     | ..... | D14/205                |
| D938,387     | S  | * | 12/2021 | Park     | ..... | D14/205                |
| D939,477     | S  | * | 12/2021 | Lee      | ..... | D14/223                |
| D940,097     | S  | * | 1/2022  | Tamamura | ..... | D14/223                |
| D940,684     | S  | * | 1/2022  | Snow     | ..... | D14/223                |
| D940,692     | S  | * | 1/2022  | Quan     | ..... | D14/223                |
| D941,275     | S  | * | 1/2022  | Liu      | ..... | D14/223                |
| D941,800     | S  | * | 1/2022  | Aoyagi   | ..... | D14/205                |
| D941,805     | S  | * | 1/2022  | Li       | ..... | D14/223                |
| D941,806     | S  | * | 1/2022  | Liu      | ..... | D14/223                |
| 2012/0237074 | A1 | * | 9/2012  | Aase     | ..... | H04R 1/1075<br>381/380 |
| 2012/0275635 | A1 | * | 11/2012 | Chen     | ..... | H04R 1/1075<br>381/380 |
| 2015/0172801 | A1 | * | 6/2015  | Huang    | ..... | H04R 1/2849<br>381/380 |
| 2016/0353216 | A1 | * | 12/2016 | Ruzicka  | ..... | H04R 1/1066            |
| 2018/0083468 | A1 | * | 3/2018  | Dennis   | ..... | H02J 7/0044            |

FOREIGN PATENT DOCUMENTS

|    |                |   |   |        |
|----|----------------|---|---|--------|
| JP | 2014146949     | A | * | 8/2014 |
| JP | 2019149690     | A | * | 9/2019 |
| KR | 300982450.0000 |   | * | 1/2019 |
| KR | 301006384      | S |   | 5/2019 |
| WO | D100304-002    |   | * | 2/2018 |
| WO | D209996-001    |   | * | 8/2020 |
| WO | D213103-001    |   | * | 1/2021 |

OTHER PUBLICATIONS

Silicone In-ear Earbuds, announced Dec. 16, 2020 [online], retrieved Jun. 2, 2021, retrieved from internet, <https://www.walmart.com/ip/3-Pairs-Silicone-In-ear-Earbuds-Cover-For-Airpods-Earphone-Case-Eartips-with-Storage-Box-Pouch/716349598>.\*

Phonak—Unitron Hearing Aid Domes, announced © Mar. 21, 2020 [online], retrieved Jun. 2, 2021, retrieved from internet, <https://hearsource.com/product/phonak-unitron-hearing-aid-domes/>.\*

Phonak Large Open Dome, announced Dec. 20, 2018 [online], retrieved Jun. 2, 2021, retrieved from internet, <https://www.amazon.com/Phonak-Large-Open-Marvel-Hearing/dp/B07M5H-PMNP/ref=>

pd\_sbs\_4/137-1641998-2770366?pd\_rd\_w=qImPZ&pf\_rd\_p=f8e24c42-8be0-4374-84aa-bb08fd897453&pf\_rd\_r=TN6SEMMH3FT4XK2WC7Y4&pd\_rd\_r=9eaa6a07-29dc-40d8-9219-eb24779c9618&pd\_rd\_wg=7cCn5&pd\_rd\_i=B07M5HPMNP&pssc=1.\*

Brass “Postage Stamp” Vintage 4-Opening Horizontal Picture Frame, announced © 1998-2021 [online], retrieved Oct. 15, 2021, retrieved from internet, <https://www.rubylane.com/item/385822-RL191-10/Brass-x22Postage-Stampx22-Vintage-4-Opening>.\*

17" Ford F350SD Pickup 05-16 17x6½ (DRW) 5 oval openings, announced © 2021 [online], retrieved Oct. 15, 2021, retrieved from internet, <https://www.oemwheelshop.com/products/17-ford-f350sd-pickup-05-16-17x6-1-2-drw-5-oval-openings-forged-polished-aluminum-rear-outer-original-oem-wheel-rim-3632>.\*

Lot of 4 baby blue on cream (one is on white) mats for baby boy pictures, announced © 2021 [online], retrieved Oct. 15, 2021, retrieved from internet, <https://www.auction-tucson.com/auction/2814/item/lot-of-4-baby-blue-on-cream-one-is-on-white-mats-for-baby-boy-pictures-2-11-14-with-2-ea-oval-openings-475-x-65-1-11-x-14-w-4-opening-6-x-85-with-opening-4-75-x-6-5-all-new-244449/>.\*

Silicone Earphone Ear Tip Case, announced © 2004-2021 [online], retrieved Oct. 15, 2021, retrieved from internet, <https://www.dhgate.com/product/silicone-earphone-ear-tip-case-earbuds-cover/438014003.html>.\*

5 Best Bluetooth Hearing Aids to Unplug With, announced May 27, 2021 [online], retrieved Oct. 15, 2021, retrieved from internet, <https://www.healthline.com/health/best-bluetooth-hearing-aids#how-we-chose>.\*

Starkey’s AI Transforms Hearing Aids Into Smart Wearables, announced Aug. 27, 2018 [online], retrieved Oct. 15, 2021, retrieved from internet, <https://spectrum.ieee.org/starkeys-ai-transforms-hearing-aid-into-smart-wearables>.\*

Galaxy Buds Live, announced © 1995-2021 [online], retrieved Oct. 15, 2021, retrieved from internet, [https://www.samsung.com/us/mobile/audio/headphones/galaxy-buds-live-mystic-bronze-sm-r180nznaxar/?cid=pla-ecomm-pfs-mobacc-us-google-na-02122020-169923-&ds\\_e=GOOGLE-cr:0-pl:268233694-&ds\\_c=FF~%5BIM\\_ME%5D+\\_CN~mobile+extensions\\_PH~on\\_MK~us\\_BS~ec\\_PR~moex\\_SB~immulti\\_PK~roas\\_FS~loe\\_CA~pla\\_MD~h\\_KS~gc\\_MT~na-&ds\\_ag=AG~Buds+Live\\_ID~E0000XFL\\_MK~us\\_AT~sa\\_MD~h\\_PK~roah\\_PB~google\\_AI~n-&ds\\_k=PRODUCT\\_GROUP&gclid=Cj0KCQjw5JSLBhCxARIsAHgO2SekAVOKVqZp\\_qZHQcTeFhtmvMs9MI0gBUTeyM\\_GSkEflcnutO1rvEaAiCuEALw\\_wcB&gclsrc=aw.ds](https://www.samsung.com/us/mobile/audio/headphones/galaxy-buds-live-mystic-bronze-sm-r180nznaxar/?cid=pla-ecomm-pfs-mobacc-us-google-na-02122020-169923-&ds_e=GOOGLE-cr:0-pl:268233694-&ds_c=FF~%5BIM_ME%5D+_CN~mobile+extensions_PH~on_MK~us_BS~ec_PR~moex_SB~immulti_PK~roas_FS~loe_CA~pla_MD~h_KS~gc_MT~na-&ds_ag=AG~Buds+Live_ID~E0000XFL_MK~us_AT~sa_MD~h_PK~roah_PB~google_AI~n-&ds_k=PRODUCT_GROUP&gclid=Cj0KCQjw5JSLBhCxARIsAHgO2SekAVOKVqZp_qZHQcTeFhtmvMs9MI0gBUTeyM_GSkEflcnutO1rvEaAiCuEALw_wcB&gclsrc=aw.ds).\*

Hoppokart 8 Pcs, announced © 2019 [online], retrieved Oct. 15, 2021, retrieved from internet, <https://hoppokart.com/product/8-pcs-4-pair-s6-black-earbudseartips-anti-slip-silicone-replacement-ear-tips-for-s7edge-s7-s6edge-black-in-the-ear-headphone-cushion-pack-of-8-black-in-the-ear-headphone-cushion-pack-of-8/>.\*

Smokey Hearing Aid Open Domes Ear Tips, announced Jun. 20, 2021 [online], retrieved Oct. 15, 2021, retrieved from internet, <https://www.u-buy.com.tw/en/product/KZAGJ99C-smokey-hearing-aid-open-domes-ear-tips-for-resound-sure-fit-style-ric-rite-and-most-brands-open-fit>.\*

Jungle Care Hearing Aid Ear Piece Open Dome, announced © 2021 [online], retrieved Oct. 15, 2021, retrieved from internet, <https://www.desertcart.com.eg/products/47246305>.\*

\* cited by examiner

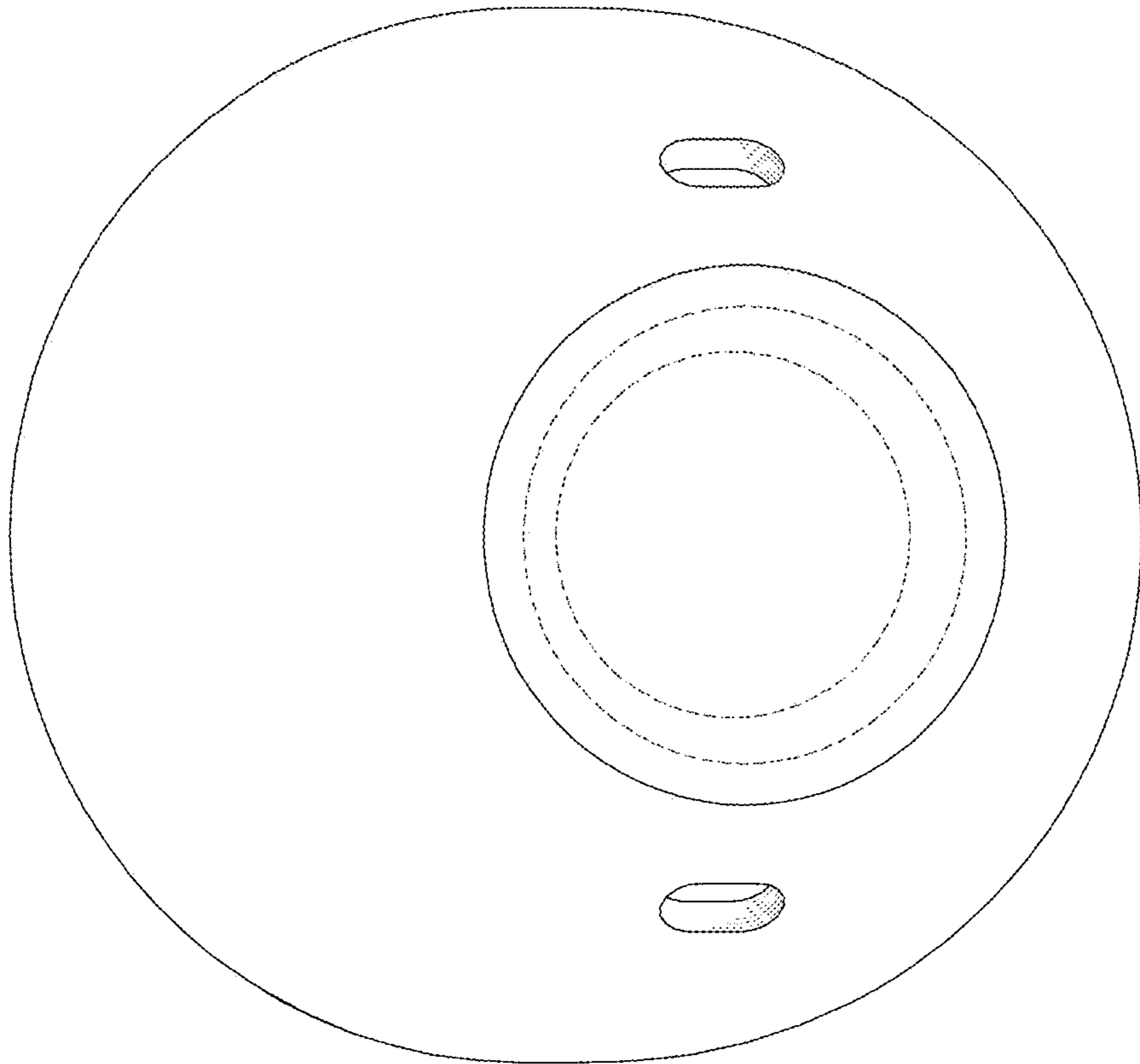


Fig. 1

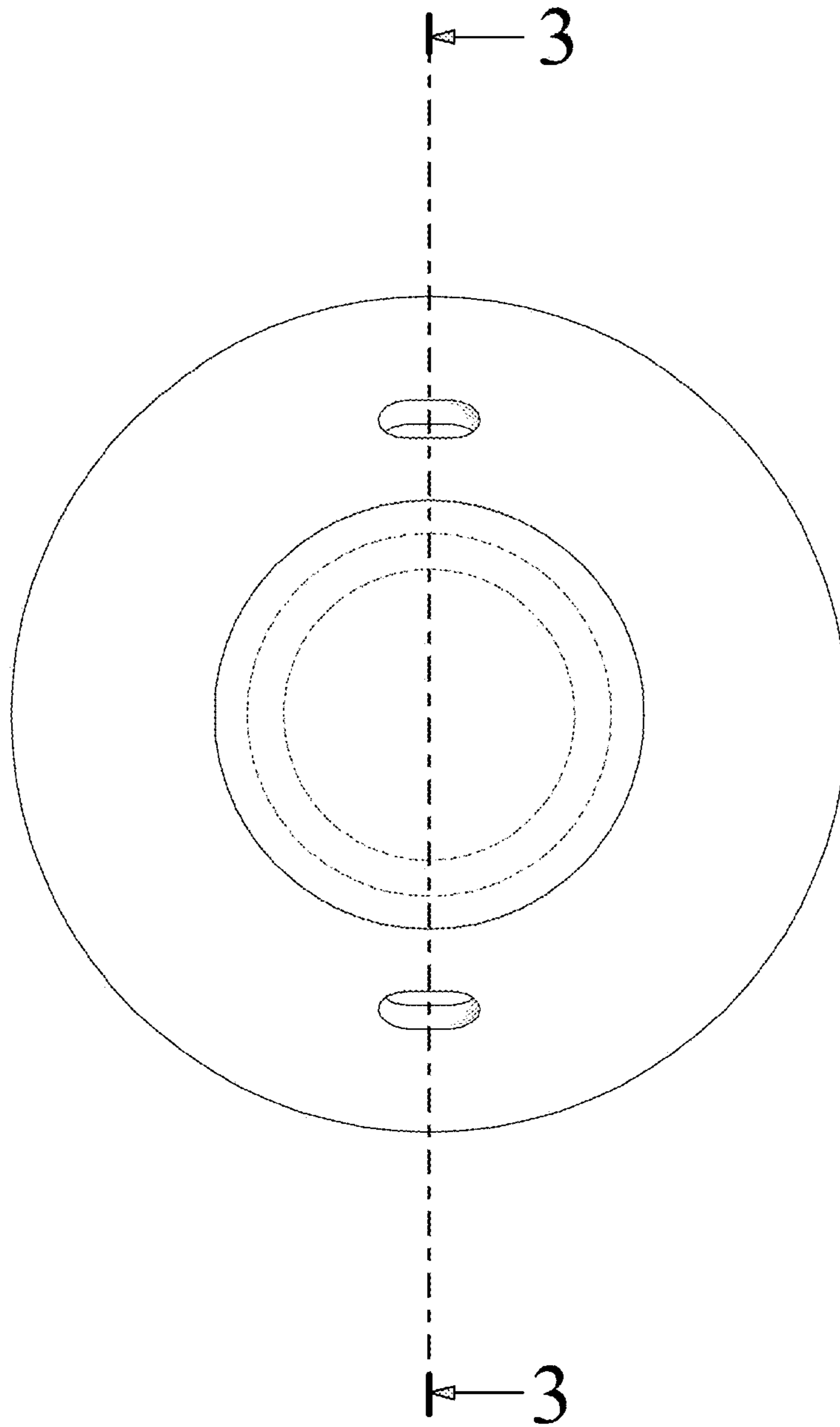


Fig. 2

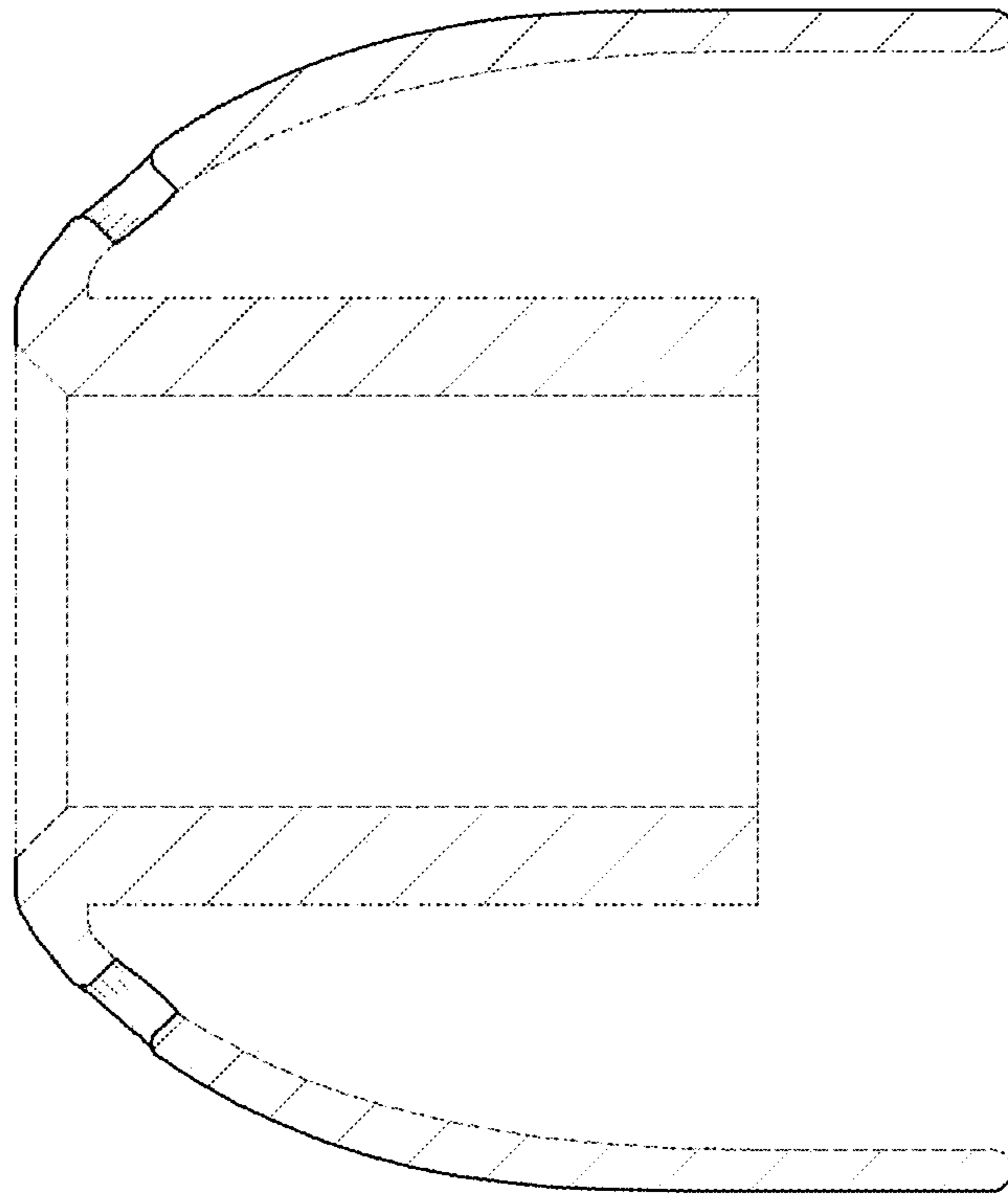


Fig. 3

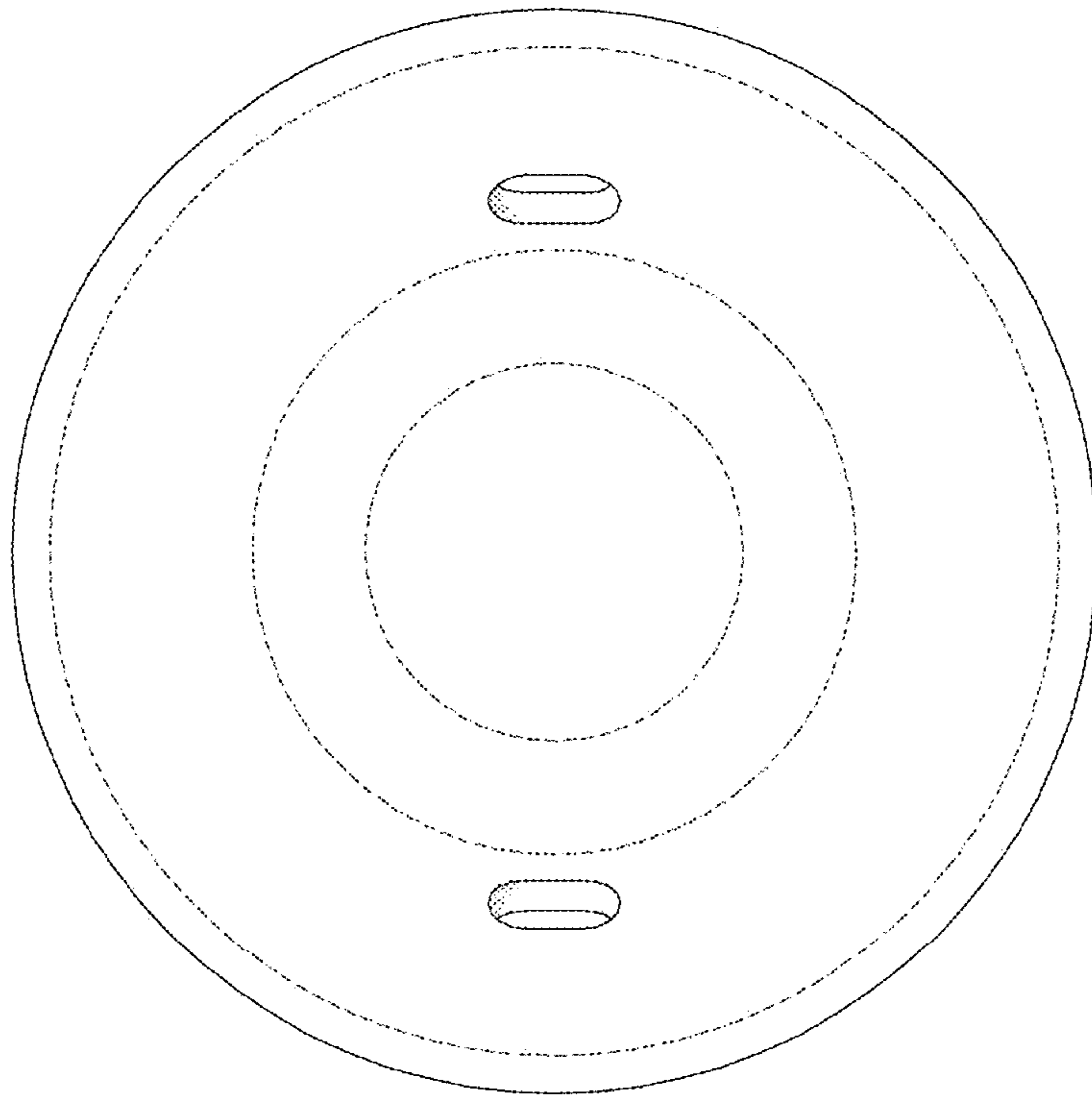


Fig. 4

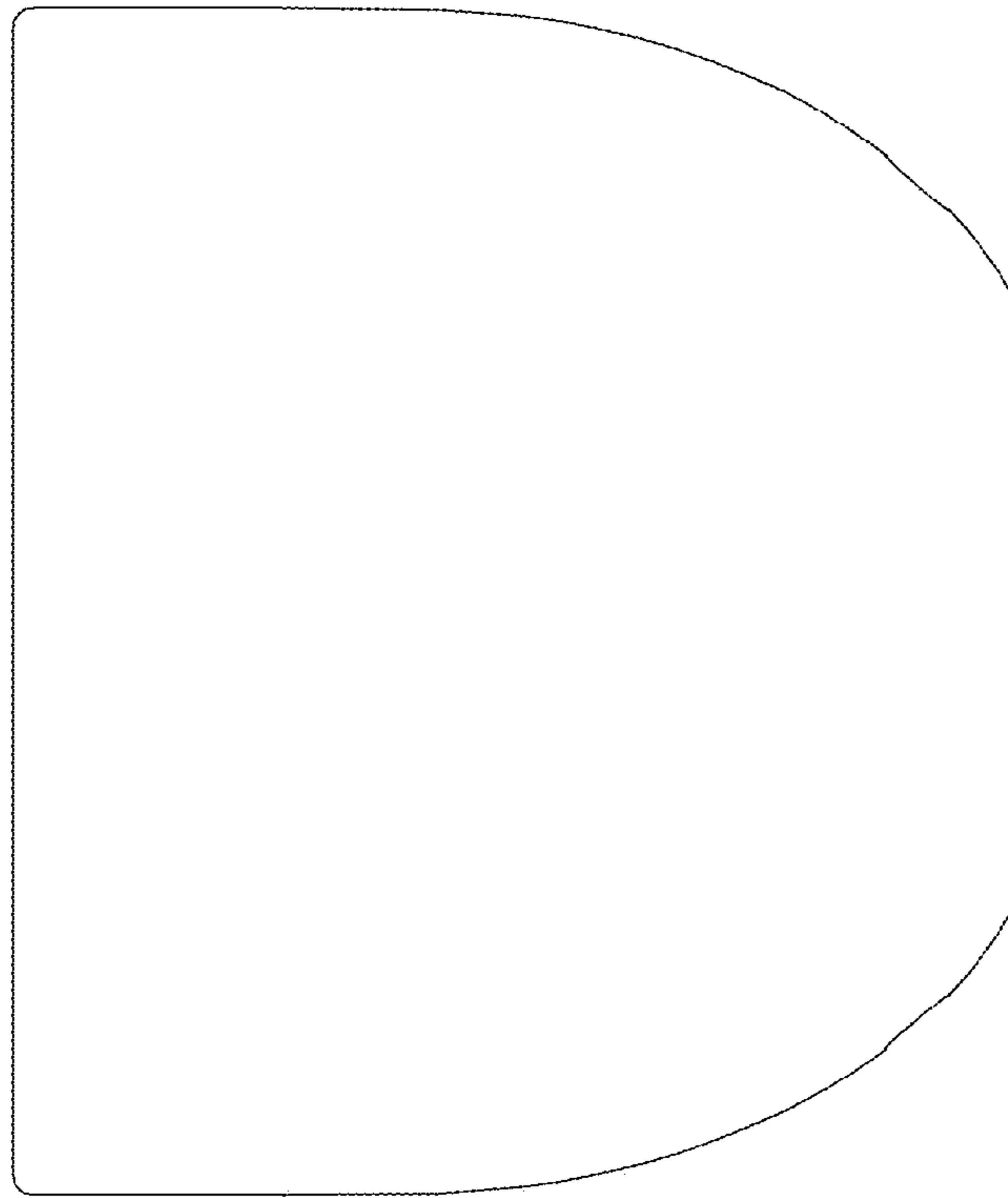


Fig. 5

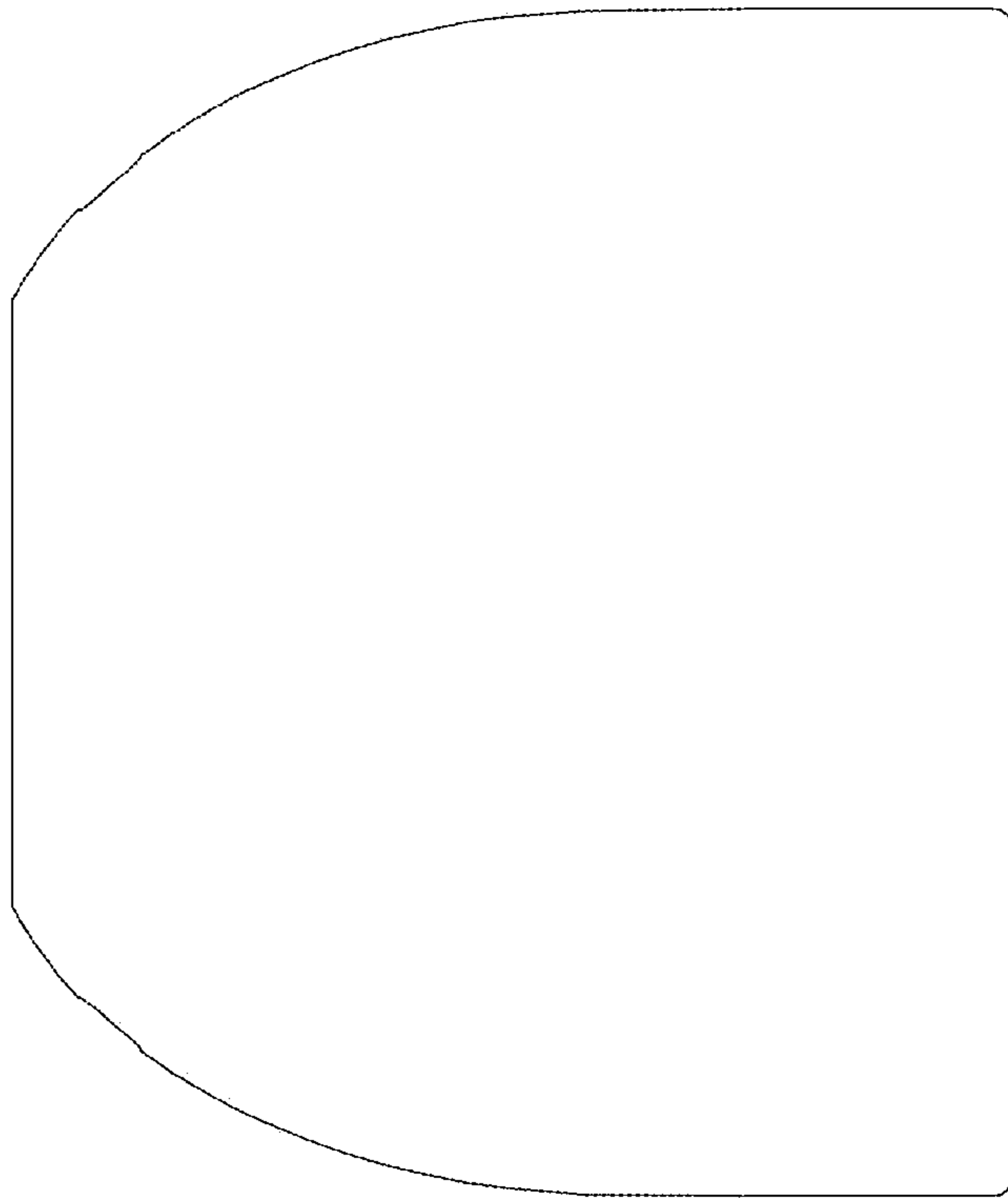


Fig. 6



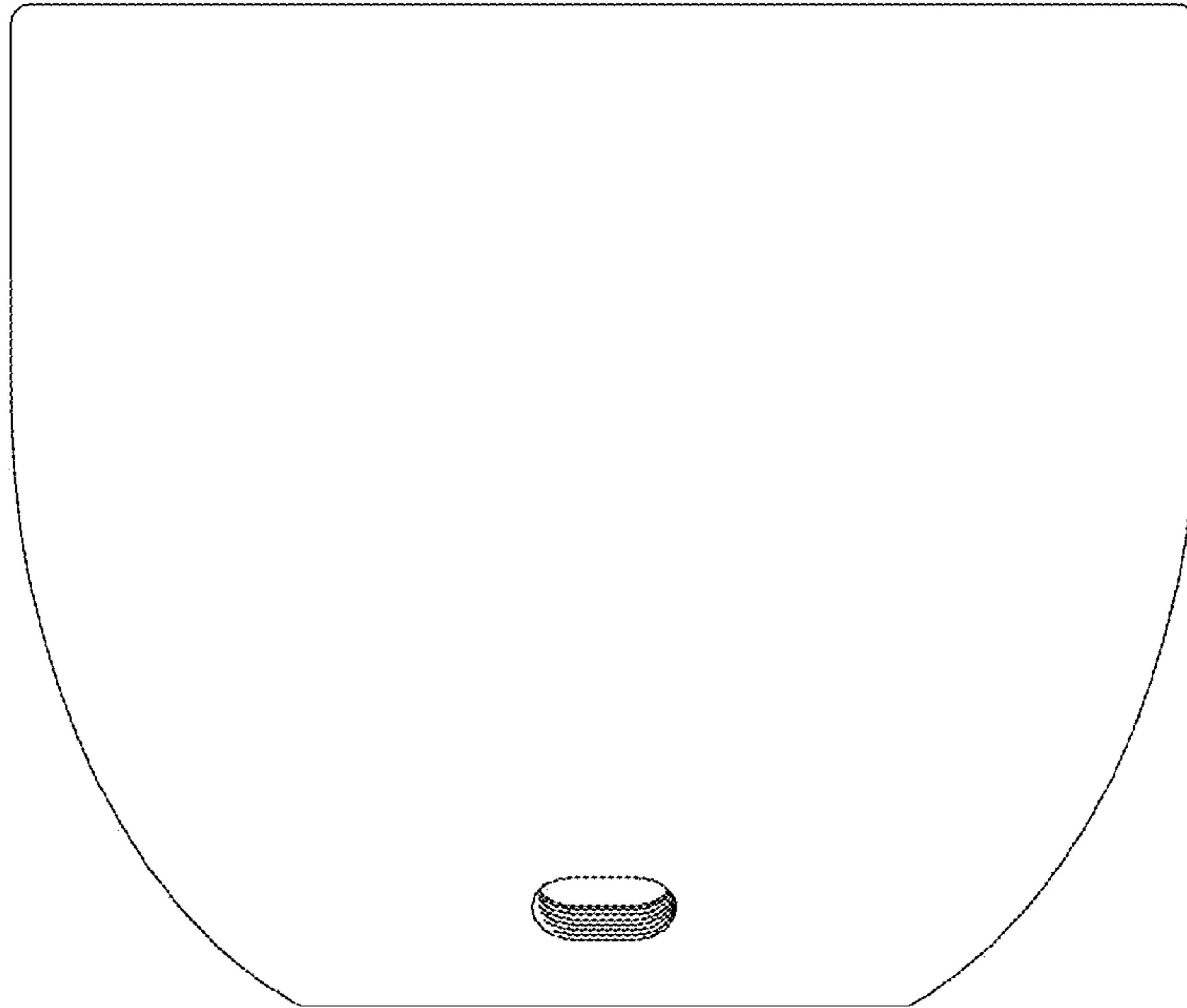


Fig. 7

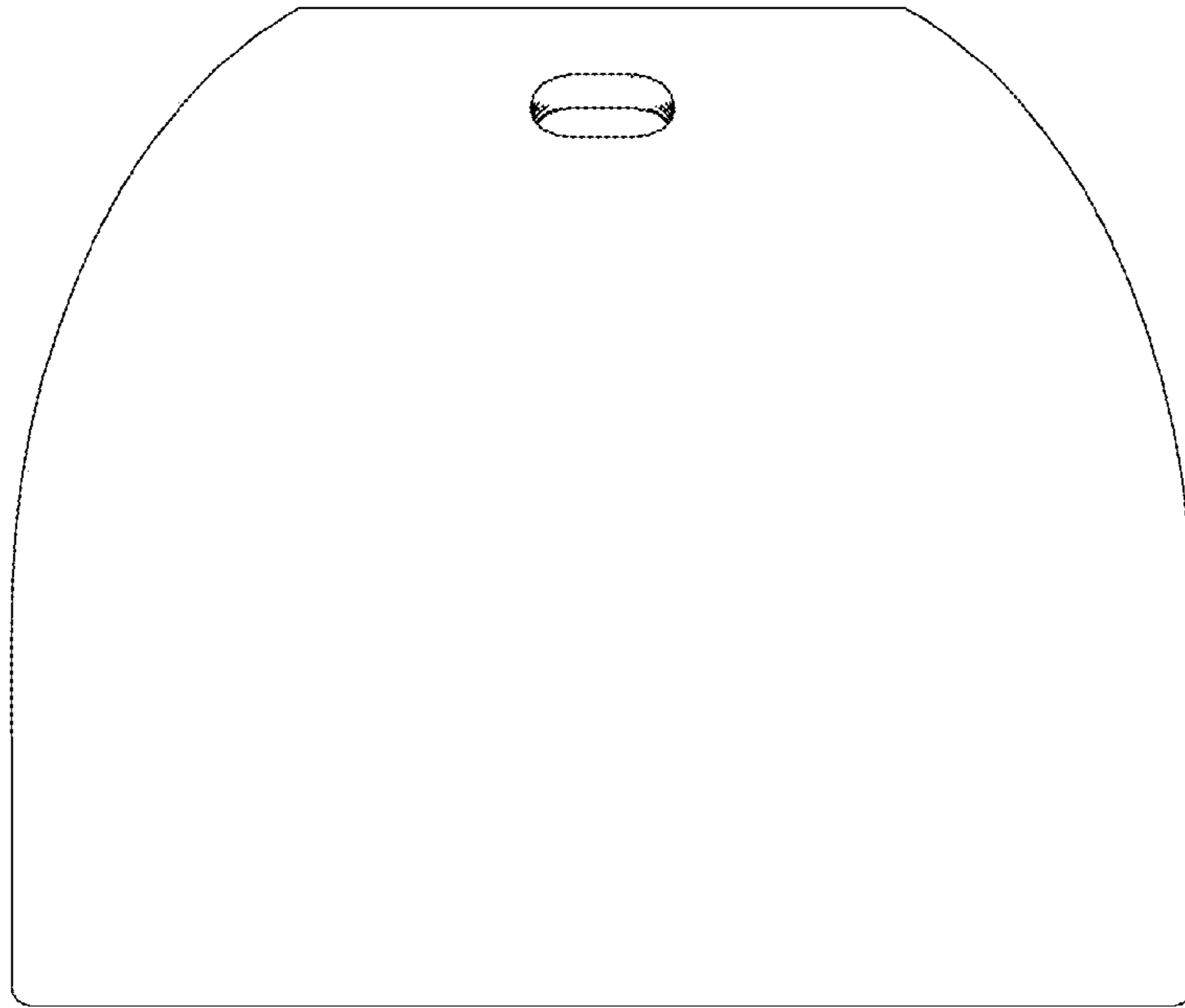


Fig. 8

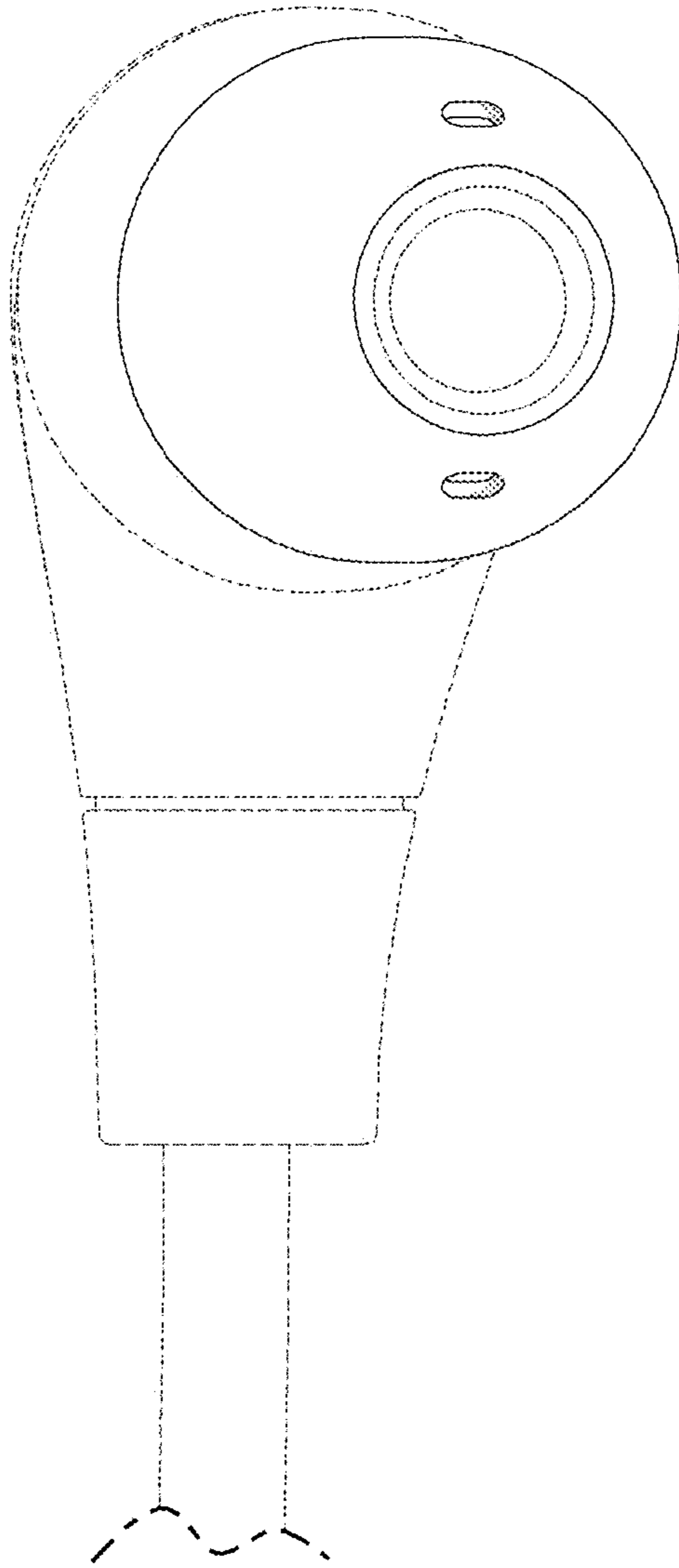


Fig. 9