



US00D962197S

(12) **United States Design Patent**  
**Puckett**

(10) **Patent No.:** **US D962,197 S**

(45) **Date of Patent:** **\*\* Aug. 30, 2022**

(54) **SPEAKER**

(71) Applicant: **Bose Corporation**, Framingham, MA  
(US)

(72) Inventor: **Scott Puckett**, West Warwick, RI (US)

(73) Assignee: **Bose Corporation**, Framingham, MA  
(US)

(\*\*) Term: **15 Years**

(21) Appl. No.: **29/732,869**

(22) Filed: **Apr. 28, 2020**

(51) **LOC (13) Cl.** ..... **14-01**

(52) **U.S. Cl.**  
USPC ..... **D14/216**; D14/204

(58) **Field of Classification Search**  
USPC ..... D14/155–159, 160–173, 187–188,  
D14/203.1–203.8, 204–216, 217–222,  
D14/225–229, 496, 498, 507  
CPC ..... H04R 1/02; H04R 1/021; H04R 1/025;  
H04R 1/026; H04R 1/028; H04R 1/06;  
H04R 1/105; H04R 1/323; H04R 1/403;  
H04R 1/2803; H04R 1/2834  
See application file for complete search history.

(56) **References Cited**

**U.S. PATENT DOCUMENTS**

D481,709	S	*	11/2003	Solderits	.....	D14/223
D644,351	S	*	8/2011	Hasse	.....	D26/2
D658,161	S	*	4/2012	Chen	.....	D14/216
9,084,046	B2	*	7/2015	Ivey	.....	H04R 1/025
D864,911	S	*	10/2019	Espinosa	.....	D14/216
D864,912	S	*	10/2019	Espinosa	.....	D14/216
D873,795	S	*	1/2020	Susterman	.....	D14/216
D895,566	S	*	9/2020	Laube	.....	D14/172
11,064,275	B2	*	7/2021	Mai	.....	H04R 1/025
2014/0305734	A1	*	10/2014	Ivey	.....	H04R 1/025
						181/150
2016/0366501	A1	*	12/2016	Ivey	.....	H04R 1/026

2018/0058629	A1	*	3/2018	Hart	.....	E04B 9/006
2020/0186902	A1	*	6/2020	Brousseau	.....	H04R 1/025
2020/0394886	A1	*	12/2020	Antar	.....	G01N 33/0065

**OTHER PUBLICATIONS**

Bose Professional FreeSpace FS2C 2.25" 20W In-Ceiling Passive Loudspeaker, date not available, [retrieved Jul. 1, 2021], Retrieved from Internet, URL: <[https://www.bhphotovideo.com/c/product/1605644-REG/bose\\_professional\\_841154\\_0310\\_freespace\\_fs2c\\_in\\_ceiling\\_loudspeaker.html?ap=y&ap=y&%E2%80%A6](https://www.bhphotovideo.com/c/product/1605644-REG/bose_professional_841154_0310_freespace_fs2c_in_ceiling_loudspeaker.html?ap=y&ap=y&%E2%80%A6)> (Year: 2021).\*  
Bose® FreeSpace® FS2C, review date: Feb. 14, 2021, [retrieved Jul. 1, 2021], Retrieved from Internet, URL: <[https://www.crutchfield.com/S-P7YyA3EvAis/p\\_201FS2CB/Bose-FreeSpace-FS2C-Black.html?XVINQ=GLX&awkw=962146136125&awat=pla&awnw=g&awcr=513910595421&awdv=c&awug=9007779&gclid=EAlaQ% E2%80%A6](https://www.crutchfield.com/S-P7YyA3EvAis/p_201FS2CB/Bose-FreeSpace-FS2C-Black.html?XVINQ=GLX&awkw=962146136125&awat=pla&awnw=g&awcr=513910595421&awdv=c&awug=9007779&gclid=EAlaQ% E2%80%A6)> (Year: 2021).\*

\* cited by examiner

*Primary Examiner* — Barbara Fox  
*Assistant Examiner* — Aram Kwon  
(74) *Attorney, Agent, or Firm* — Bose Corporation

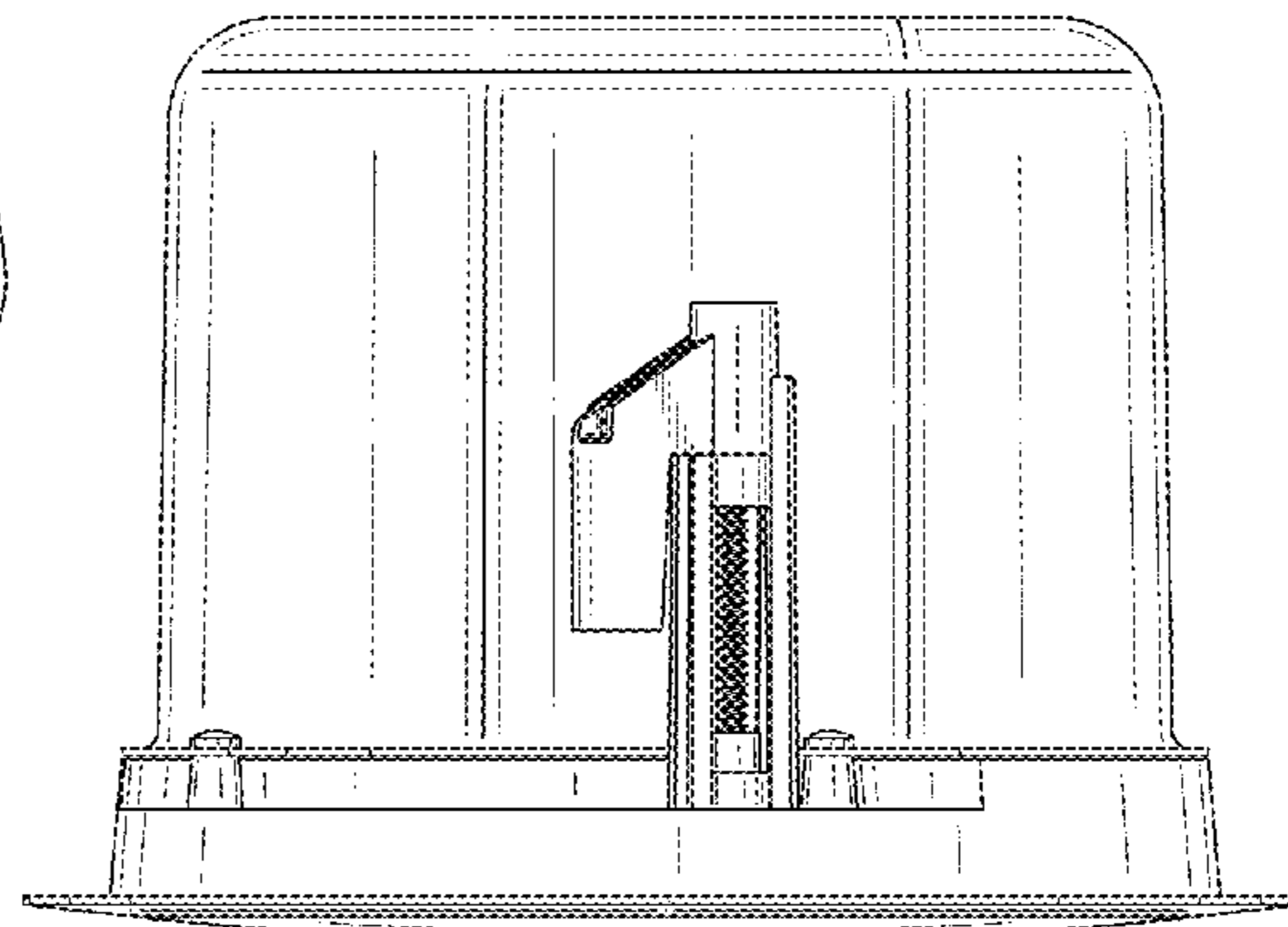
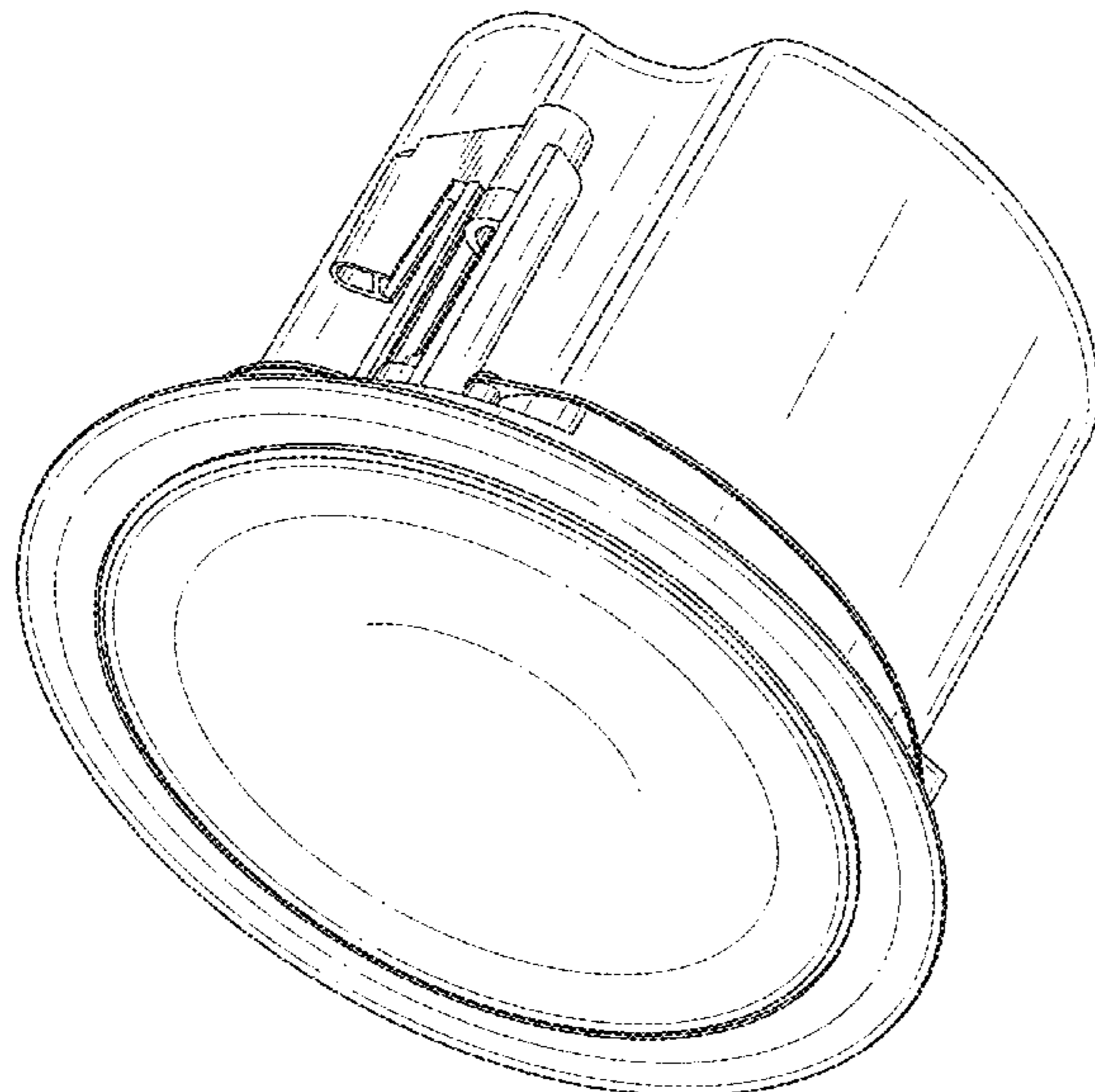
(57) **CLAIM**

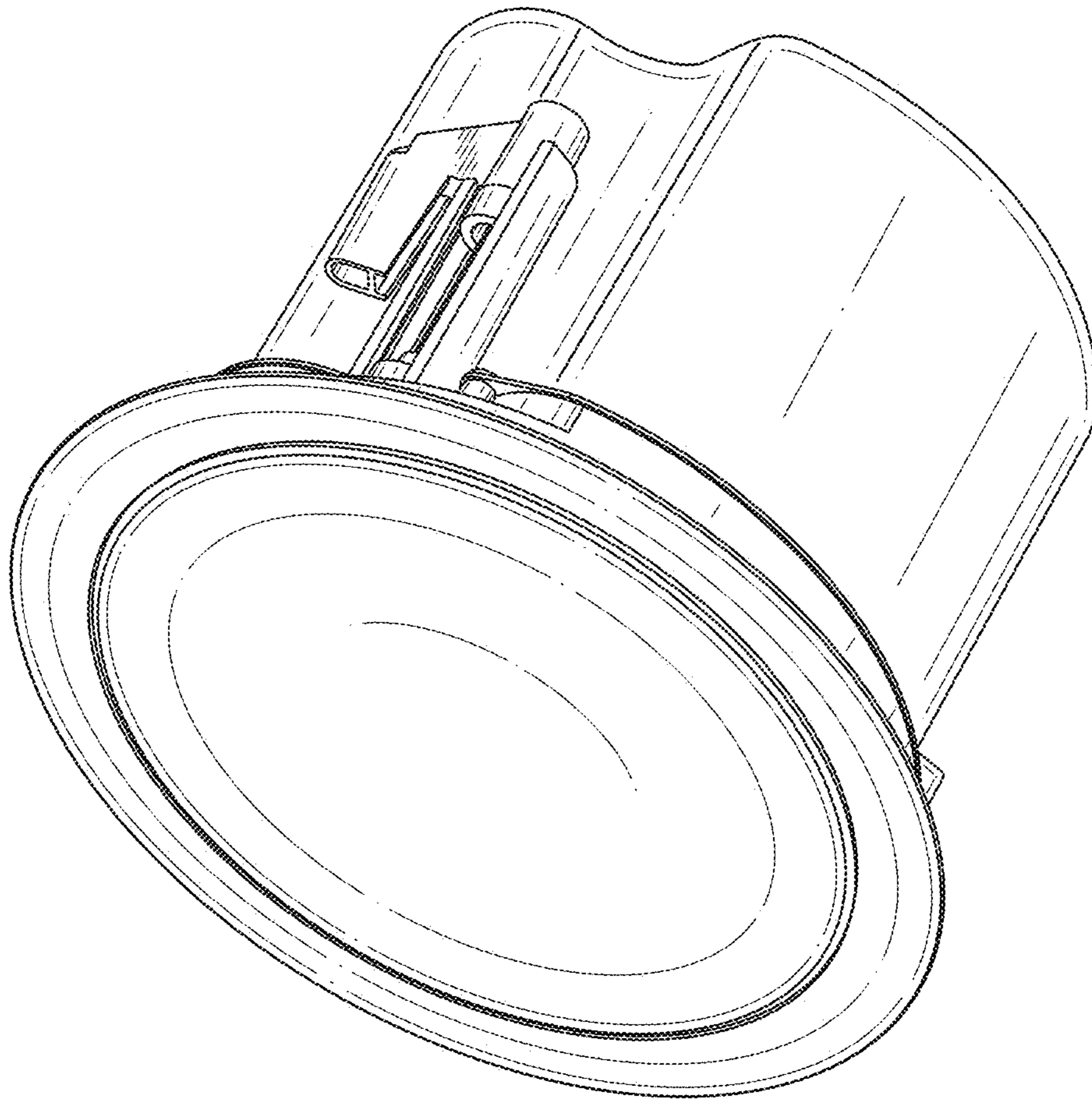
The ornamental design for a speaker, as shown and described.

**DESCRIPTION**

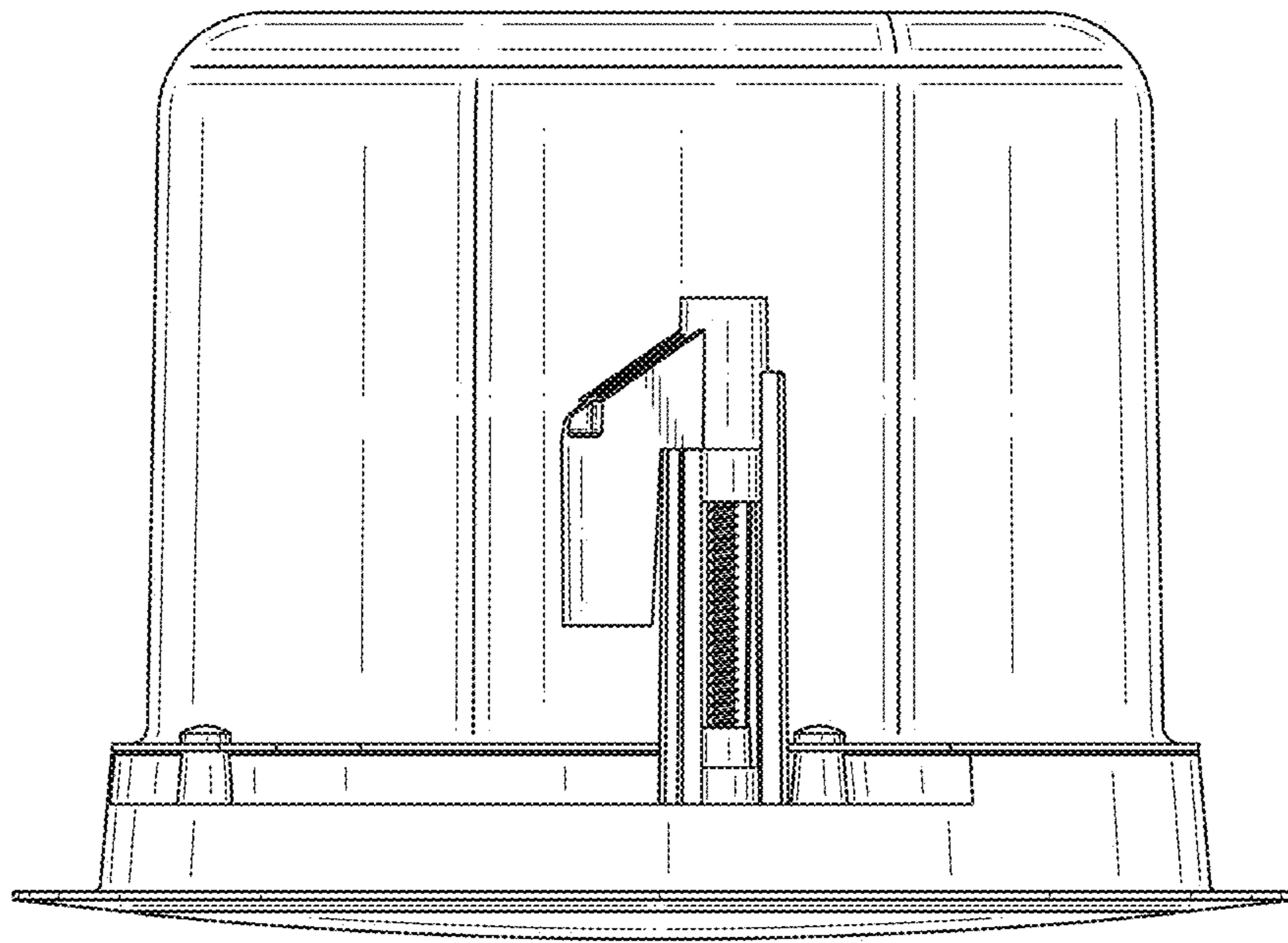
FIG. 1 is a perspective view of the speaker as seen from the bottom, front, and left side;  
FIG. 2 is a front view thereof;  
FIG. 3 is a right side view thereof;  
FIG. 4 is a rear view thereof;  
FIG. 5 is a left side view thereof;  
FIG. 6 is a top view thereof; and,  
FIG. 7 is a bottom view thereof.  
The broken lines shown in the figures depict portions of the speaker that form no part of the claimed design.

**1 Claim, 7 Drawing Sheets**

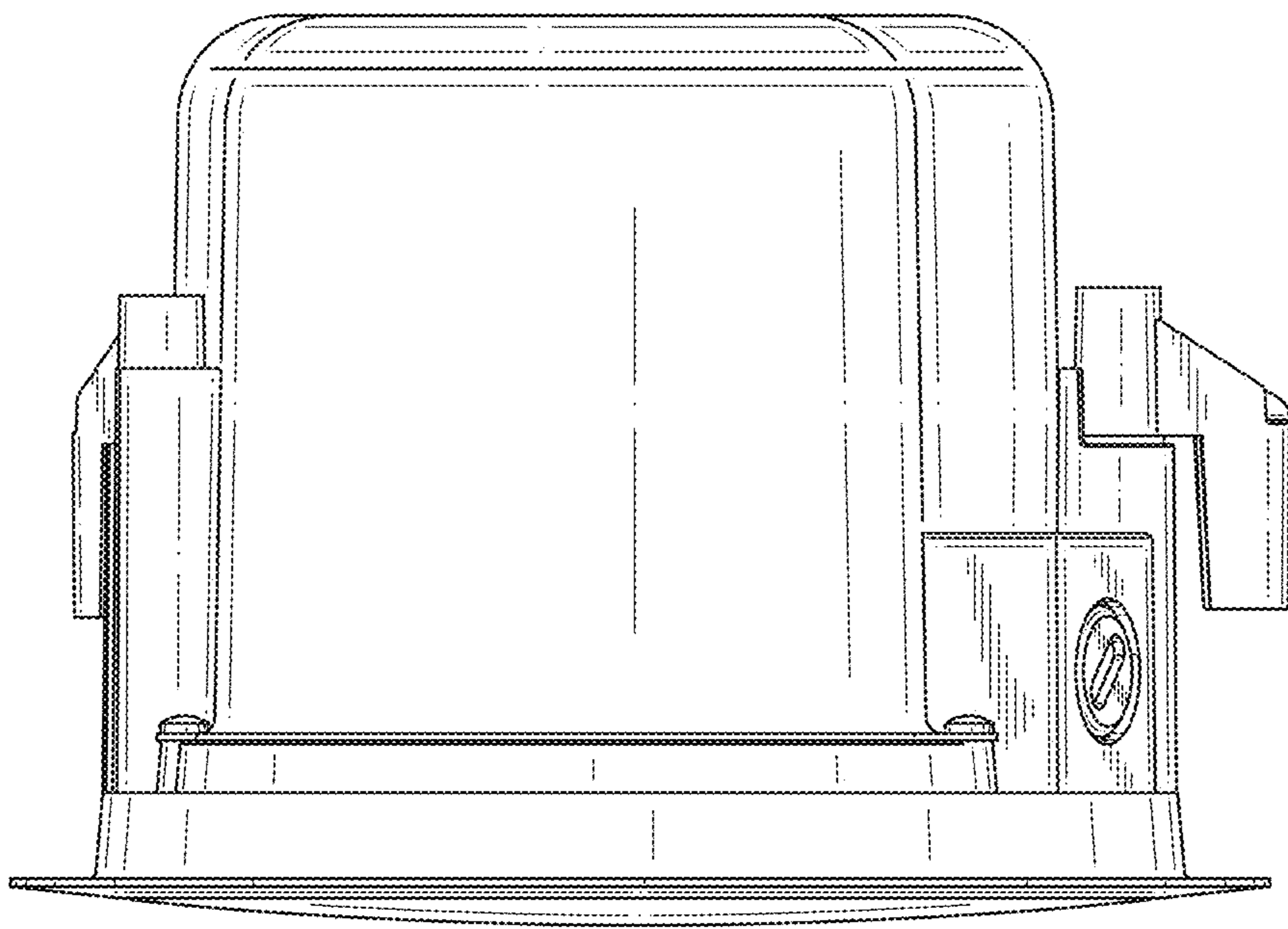




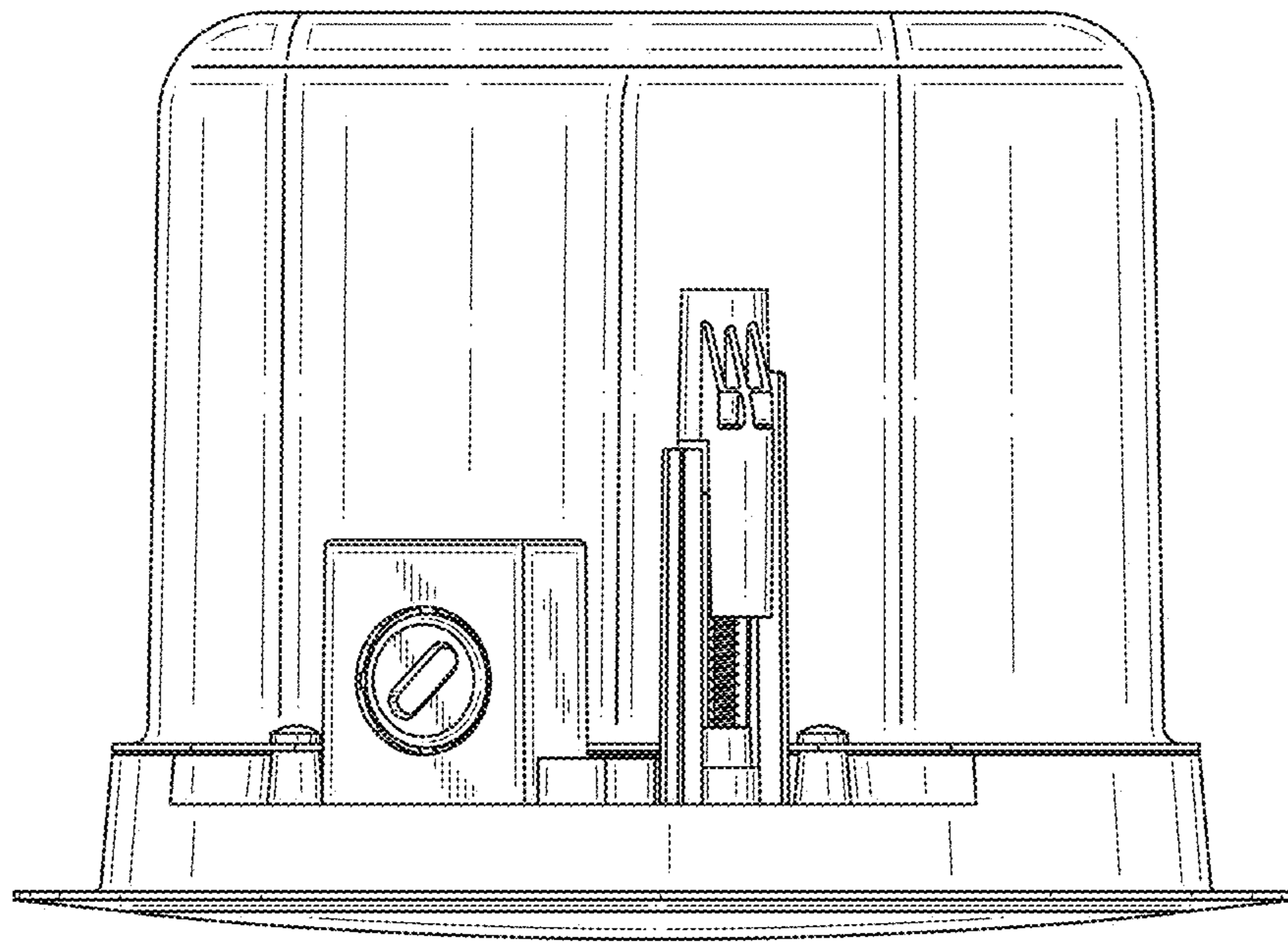
**FIG. 1**



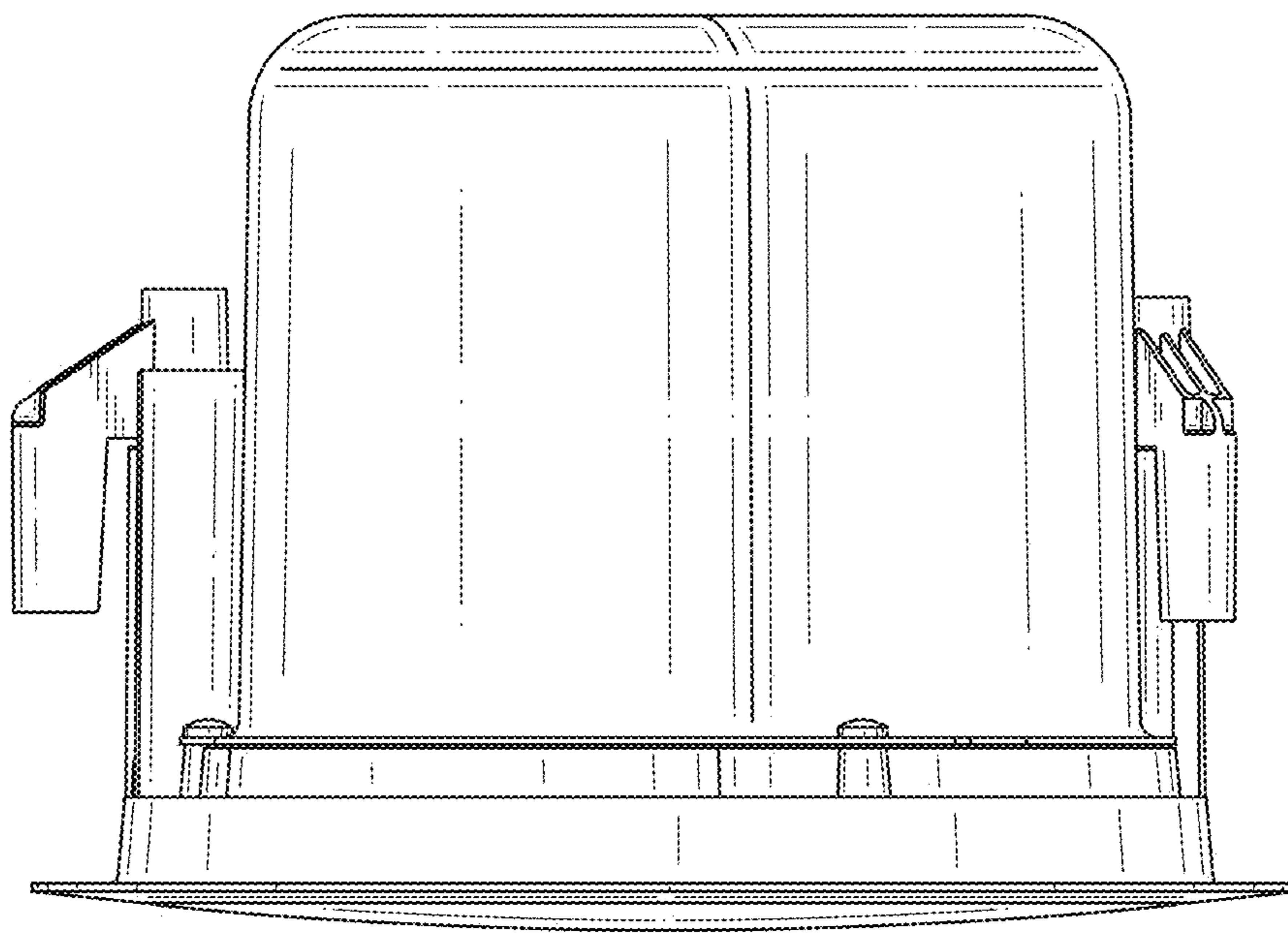
**FIG. 2**



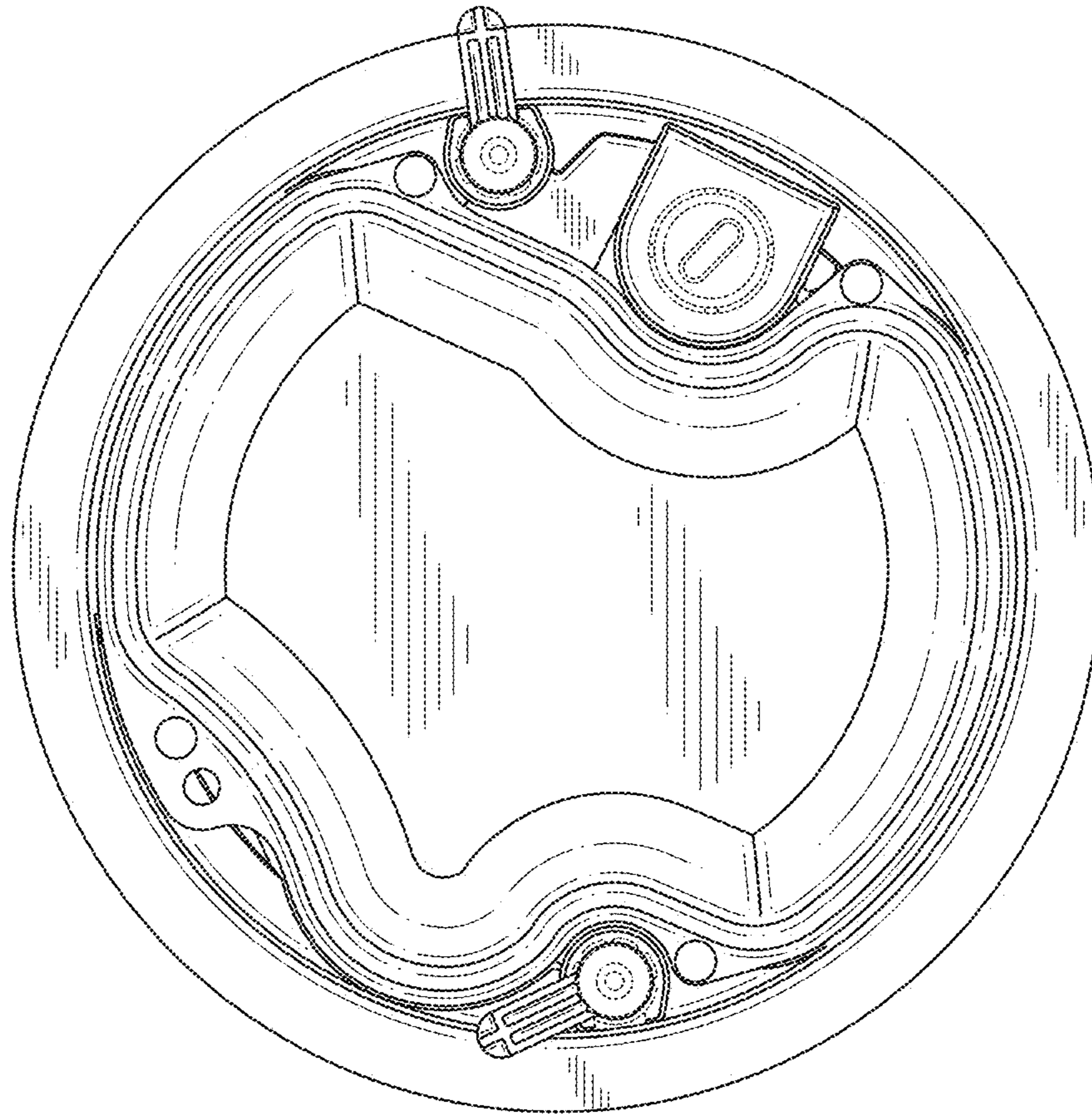
**FIG. 3**



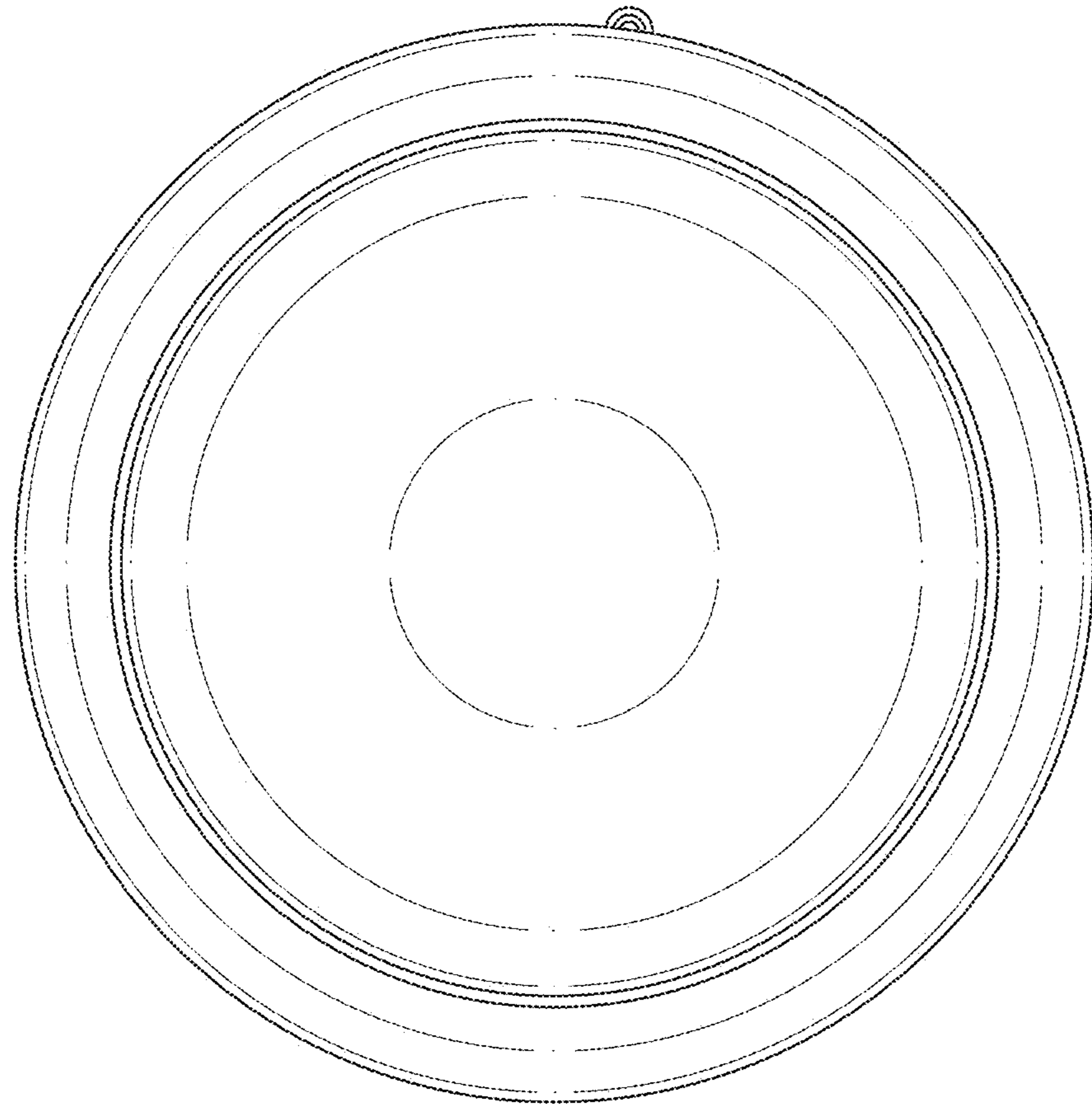
**FIG. 4**



**FIG. 5**



**FIG. 6**



**FIG. 7**