



US00D962196S

(12) **United States Design Patent**  
**Li et al.**

(10) **Patent No.:** **US D962,196 S**  
(45) **Date of Patent:** **\*\* Aug. 30, 2022**

(54) **SMART SPEAKER SET**

FOREIGN PATENT DOCUMENTS

(71) Applicant: **ADVANCED NEW TECHNOLOGIES CO., LTD.**, Grand Cayman (KY)

CN 304056377 S 2/2017  
JP 1583285 S 8/2017  
JP 1637694 S 7/2019

(72) Inventors: **Xuelong Li**, Hangzhou (CN); **Xinyu Weng**, Hangzhou (CN)

*Primary Examiner* — Keli L Hill

(73) Assignee: **ADVANCED NEW TECHNOLOGIES CO., LTD.**, George Town (KY)

(57) **CLAIM**

The ornamental design for a smart speaker set, as shown and described.

(\*\*) Term: **15 Years**

**DESCRIPTION**

(21) Appl. No.: **29/686,863**

(22) Filed: **Apr. 8, 2019**

(30) **Foreign Application Priority Data**

Oct. 9, 2018 (CN) ..... 201830562948.5

(51) **LOC (13) Cl.** ..... **14-01**

(52) **U.S. Cl.**  
USPC ..... **D14/209.1**; D14/216; D14/224

(58) **Field of Classification Search**  
USPC ..... D14/167, 168, 170–172, 188, 194–196, D14/204, 209.1, 210–216, 219, 221, 222, D14/224, 239, 496  
CPC ..... B60R 11/0217; G06F 1/1688; G10K 9/22; G10K 11/004; H03F 1/327; H04M 1/03; H04M 1/035; H04N 5/642; H04N 21/4852; H04R 1/02; H04R 1/06; H04R 1/021; H04R 1/025; H04R 1/026; H04R 1/028; H04R 1/105; H04R 1/323; H04R 1/403;

(Continued)

(56) **References Cited**

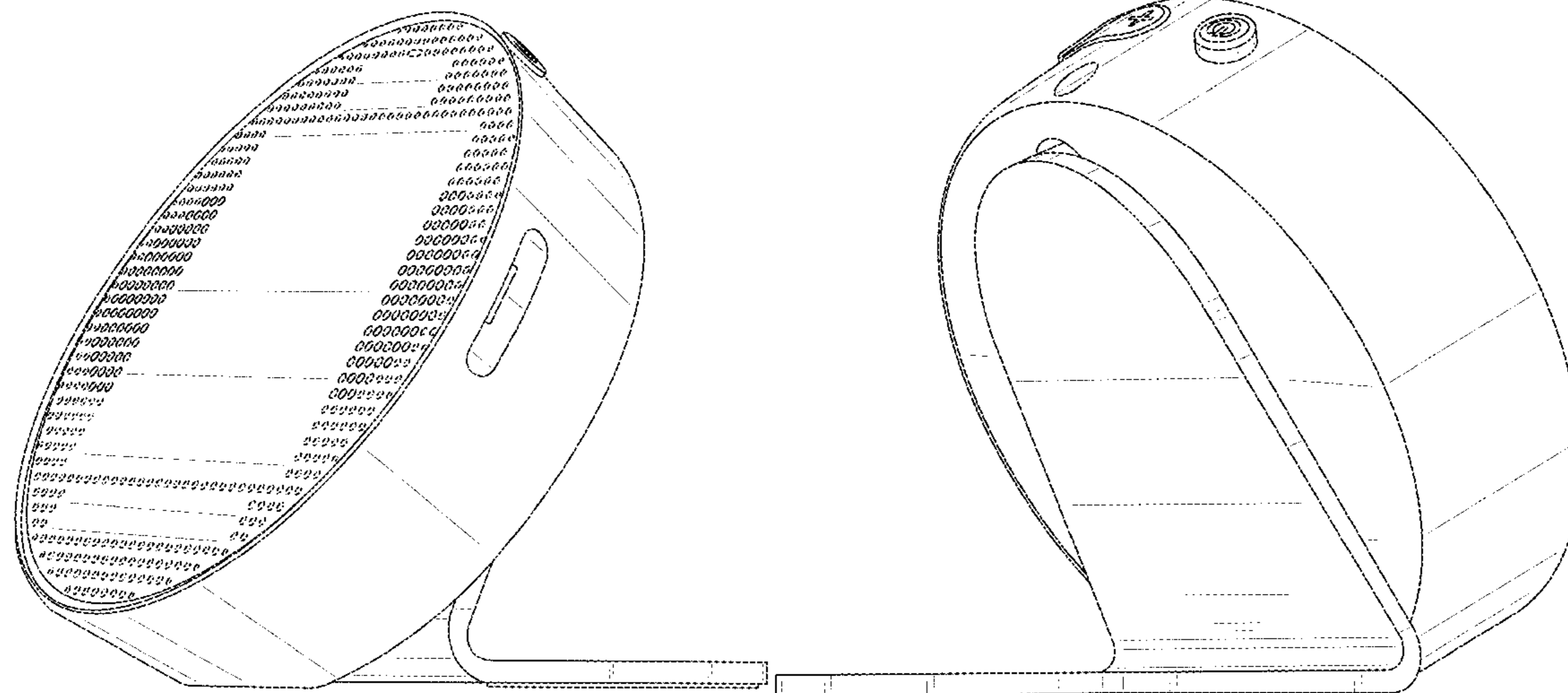
U.S. PATENT DOCUMENTS

D253,625 S \* 12/1979 Davis ..... D14/224  
D371,559 S \* 7/1996 Rozier ..... D14/224

(Continued)

FIG. 1 is a front view showing an embodiment of a smart speaker for the smart speaker set;  
FIG. 2 is a rear view thereof;  
FIG. 3 is a left-side view thereof;  
FIG. 4 is a right-side view thereof;  
FIG. 5 is a top view thereof;  
FIG. 6 is a bottom view thereof;  
FIG. 7 is a front view showing an embodiment of a stand for the smart speaker set;  
FIG. 8 is a rear view thereof;  
FIG. 9 is a left-side view thereof;  
FIG. 10 is a right-side view thereof;  
FIG. 11 is a top view thereof;  
FIG. 12 is a bottom view thereof;  
FIG. 13 is a front-right perspective view thereof;  
FIG. 14 is a rear-left perspective view thereof;  
FIG. 15 is a front view showing an embodiment of the smart speaker set;  
FIG. 16 is a rear view thereof;  
FIG. 17 is a left-side view thereof;  
FIG. 18 is a right-side view thereof;  
FIG. 19 is a top view thereof;  
FIG. 20 is a bottom view thereof;  
FIG. 21 is a front-right perspective view thereof; and,  
FIG. 22 is a rear-left perspective view thereof.  
The broken lines in FIGS. 1-22 illustrate portions of the smart speaker set that are not part of the claimed design.

**1 Claim, 18 Drawing Sheets**



(58) **Field of Classification Search**

CPC ..... H04R 1/2803; H04R 1/2834; H04R 5/02;  
H04R 7/20; H04R 9/06; H04R 9/025;  
H04R 2201/021; H04R 2400/00; H04R  
2400/07; H04R 2499/11; H04R 2499/13;  
H04R 2499/15; H04S 3/00; H04S 7/30

See application file for complete search history.

(56) **References Cited**

U.S. PATENT DOCUMENTS

D765,623 S \* 9/2016 Yang ..... D14/224  
D792,468 S \* 7/2017 Langhammer ..... D14/203.3  
D822,717 S 7/2018 Lim  
D828,330 S 9/2018 Nysten et al.  
D829,242 S \* 9/2018 Laine ..... D14/496  
D883,374 S \* 5/2020 Li ..... D18/4.4  
D886,188 S \* 6/2020 Li ..... D18/4.4  
D903,627 S \* 12/2020 Xiao ..... D14/204

\* cited by examiner

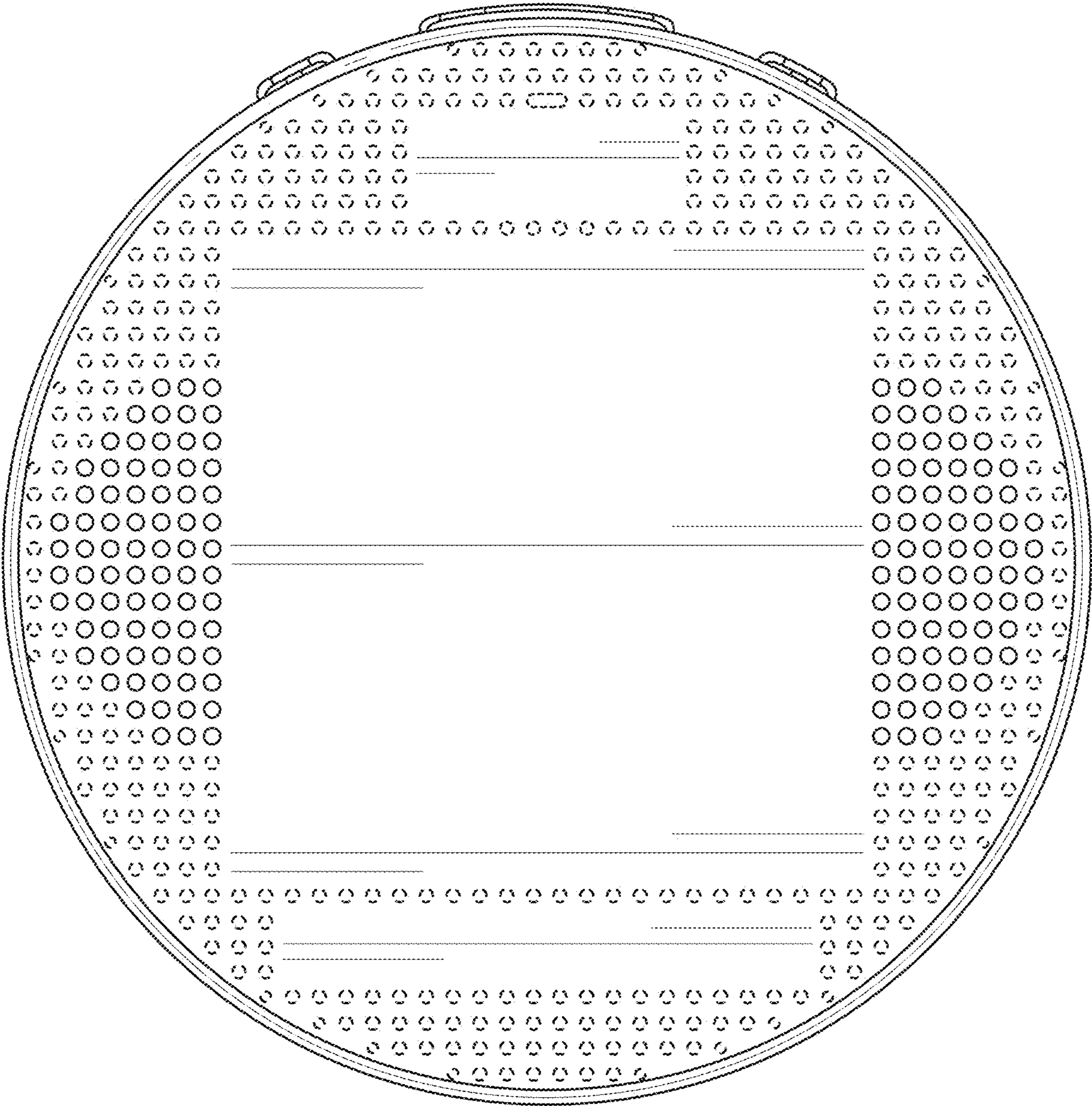


FIG. 1

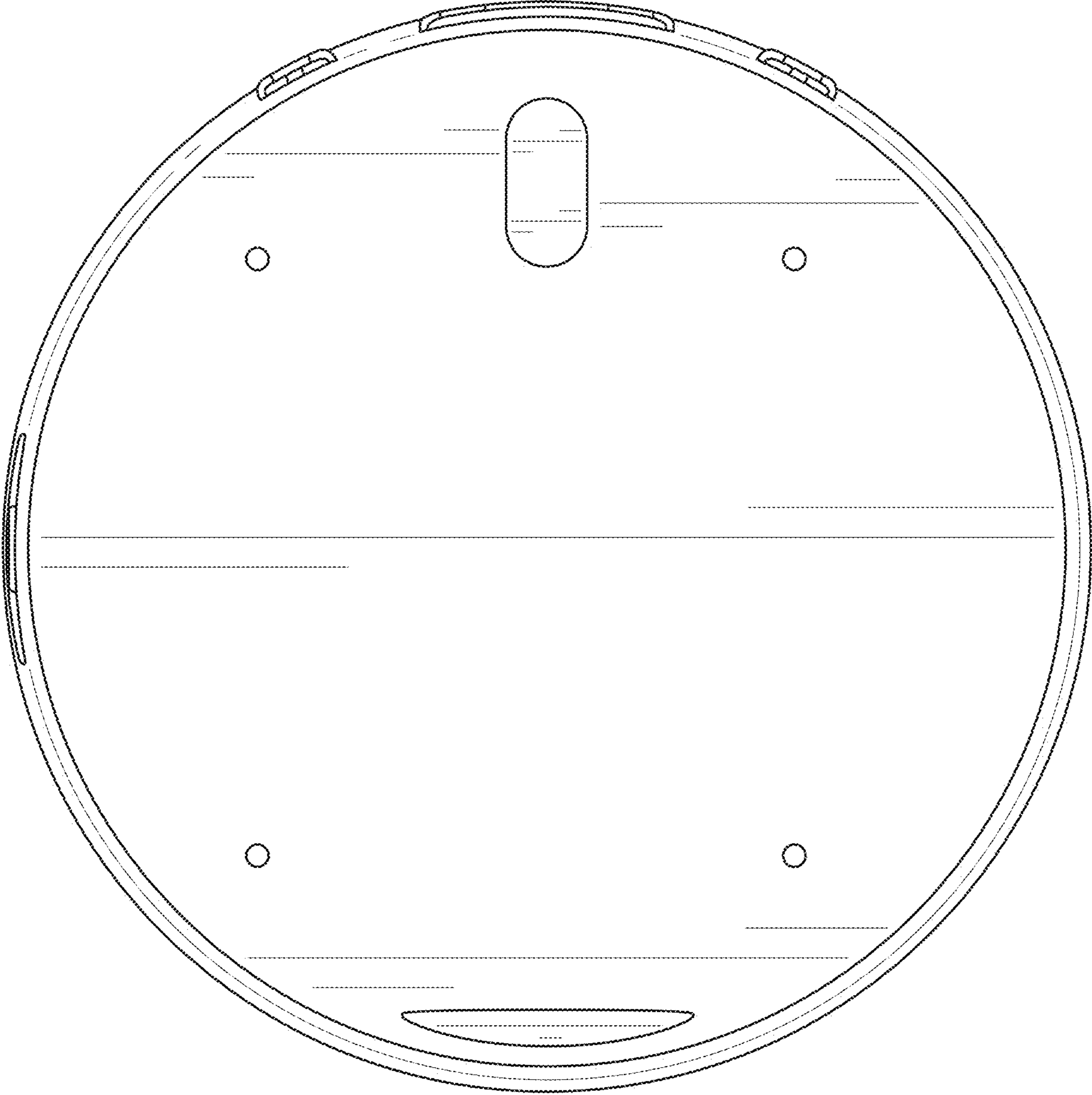


FIG. 2

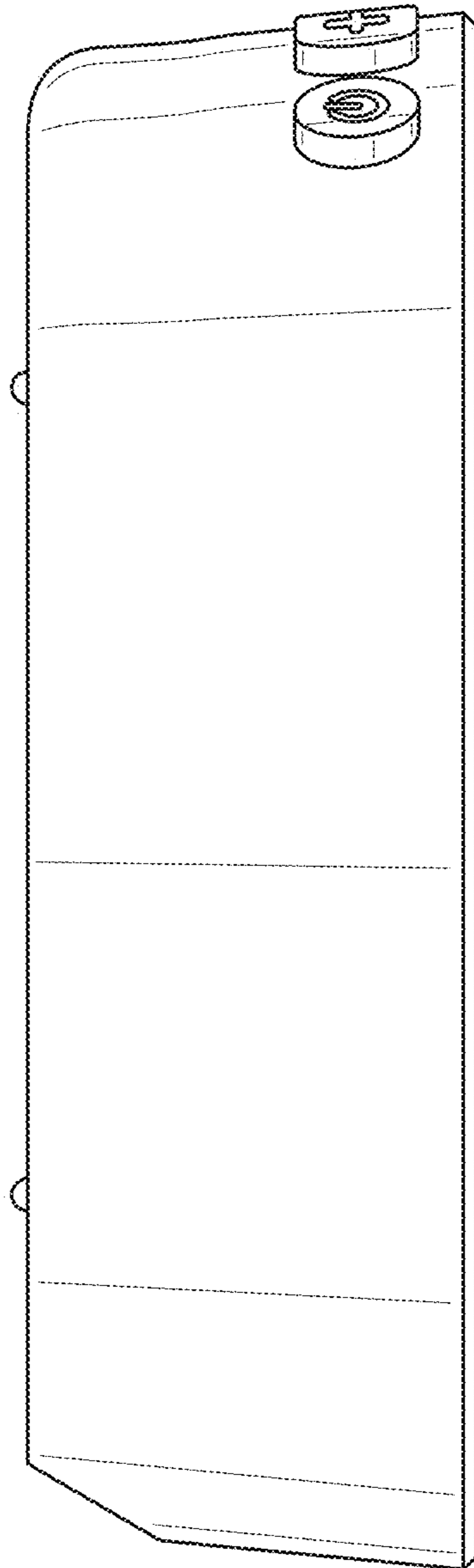


FIG. 3

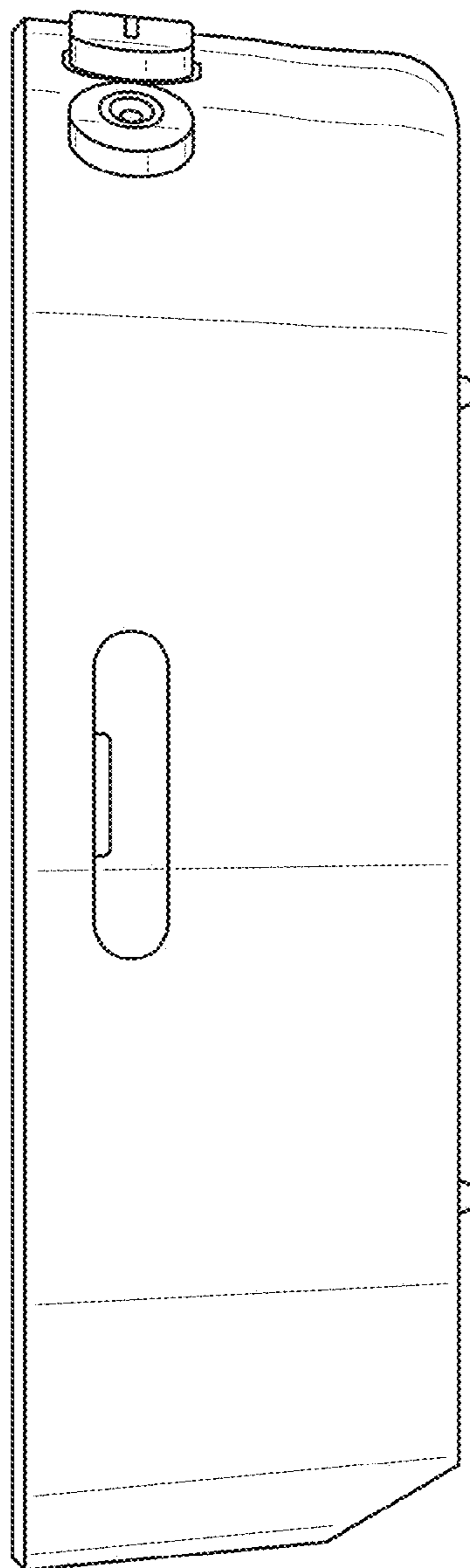


FIG. 4

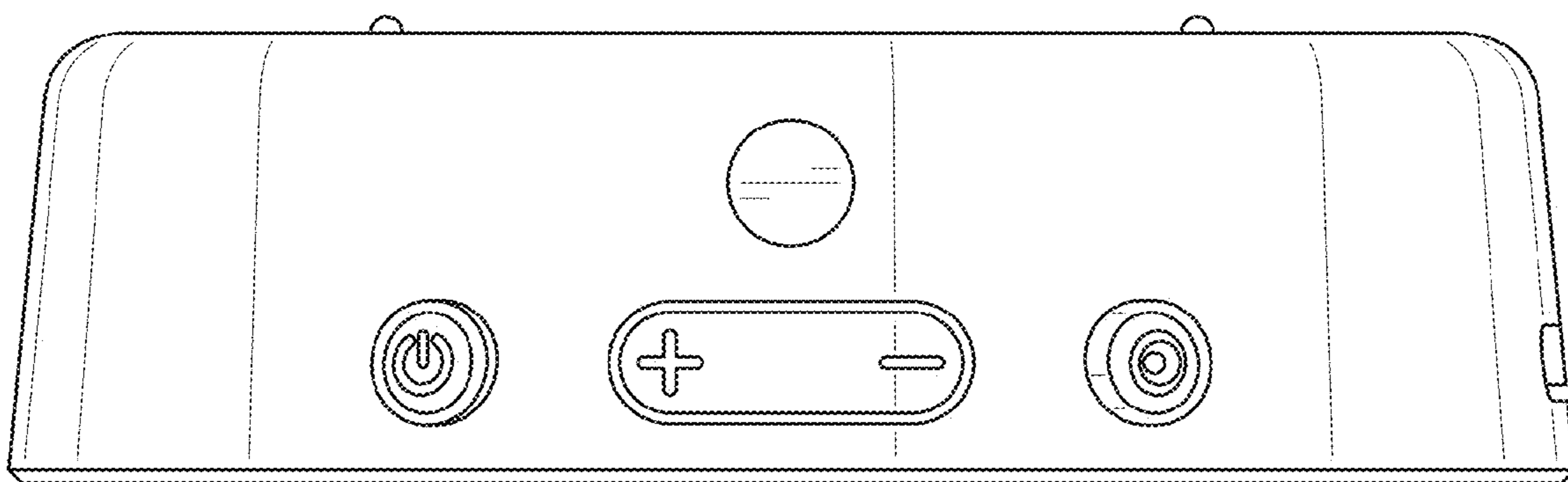


FIG. 5

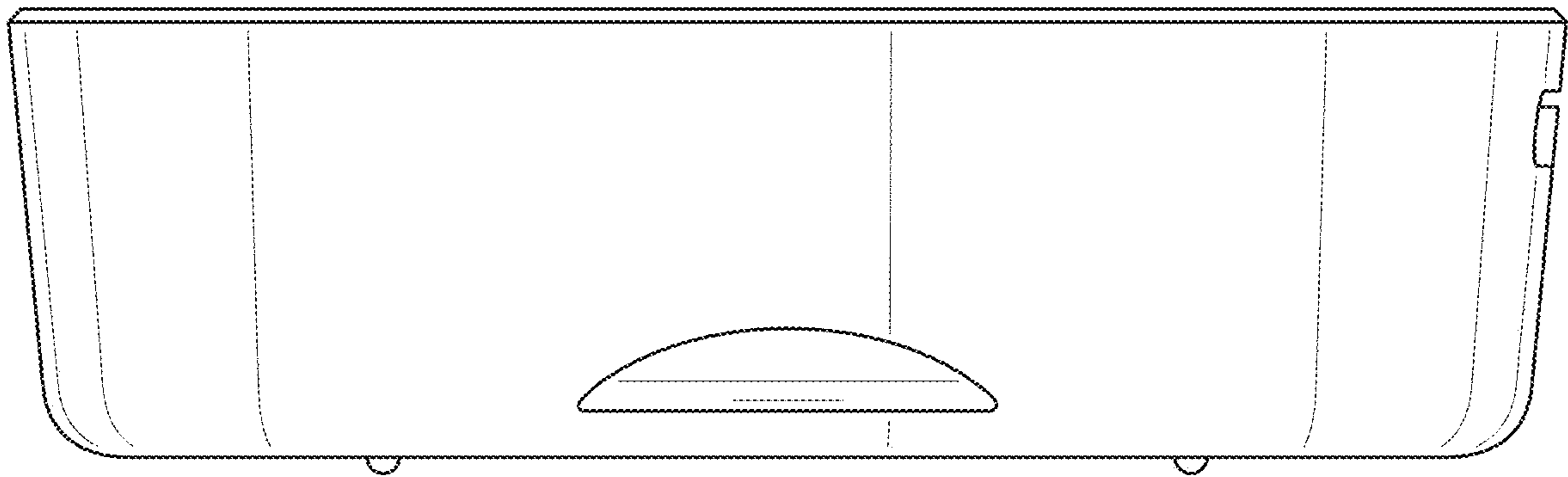


FIG. 6

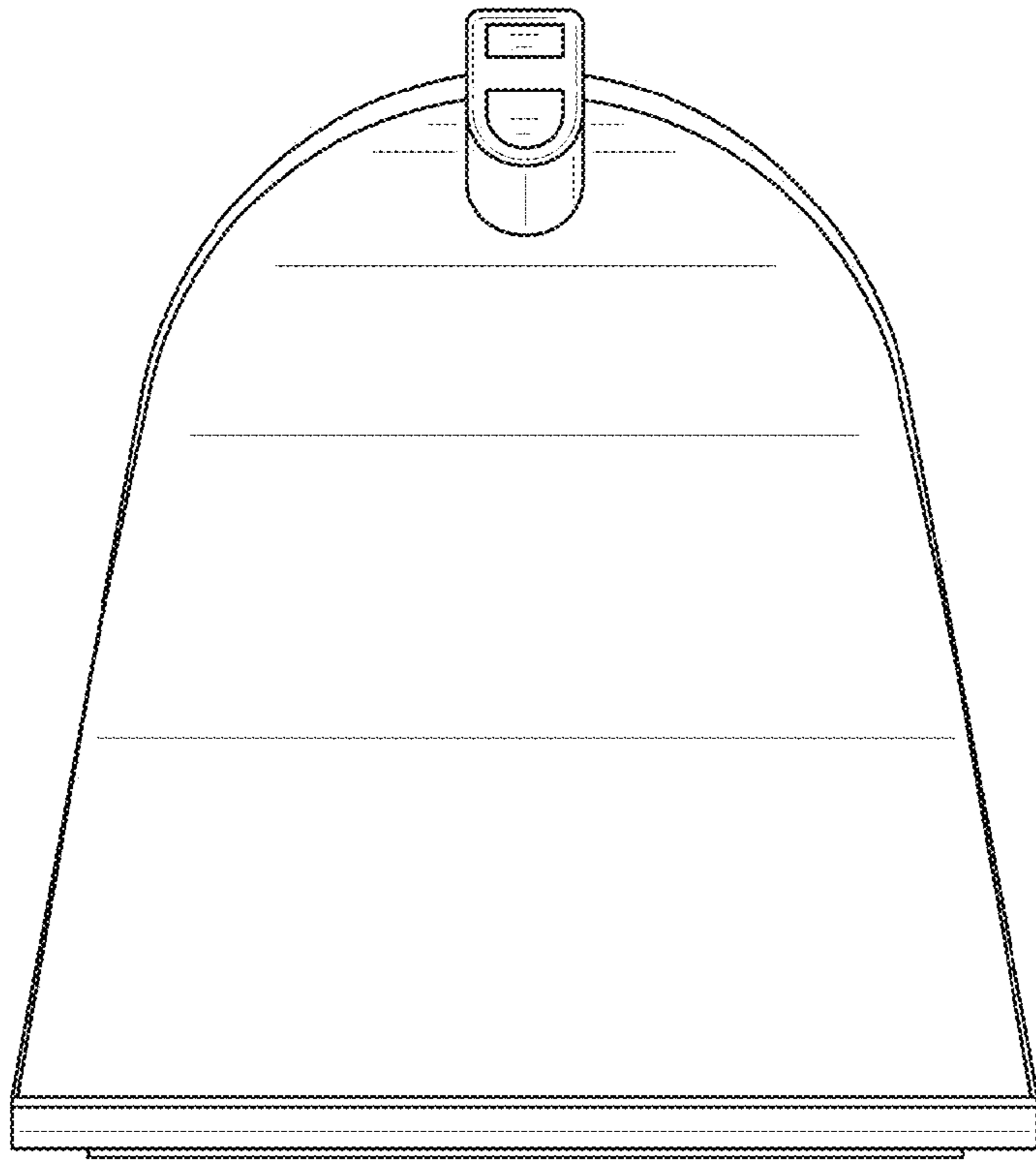


FIG. 7

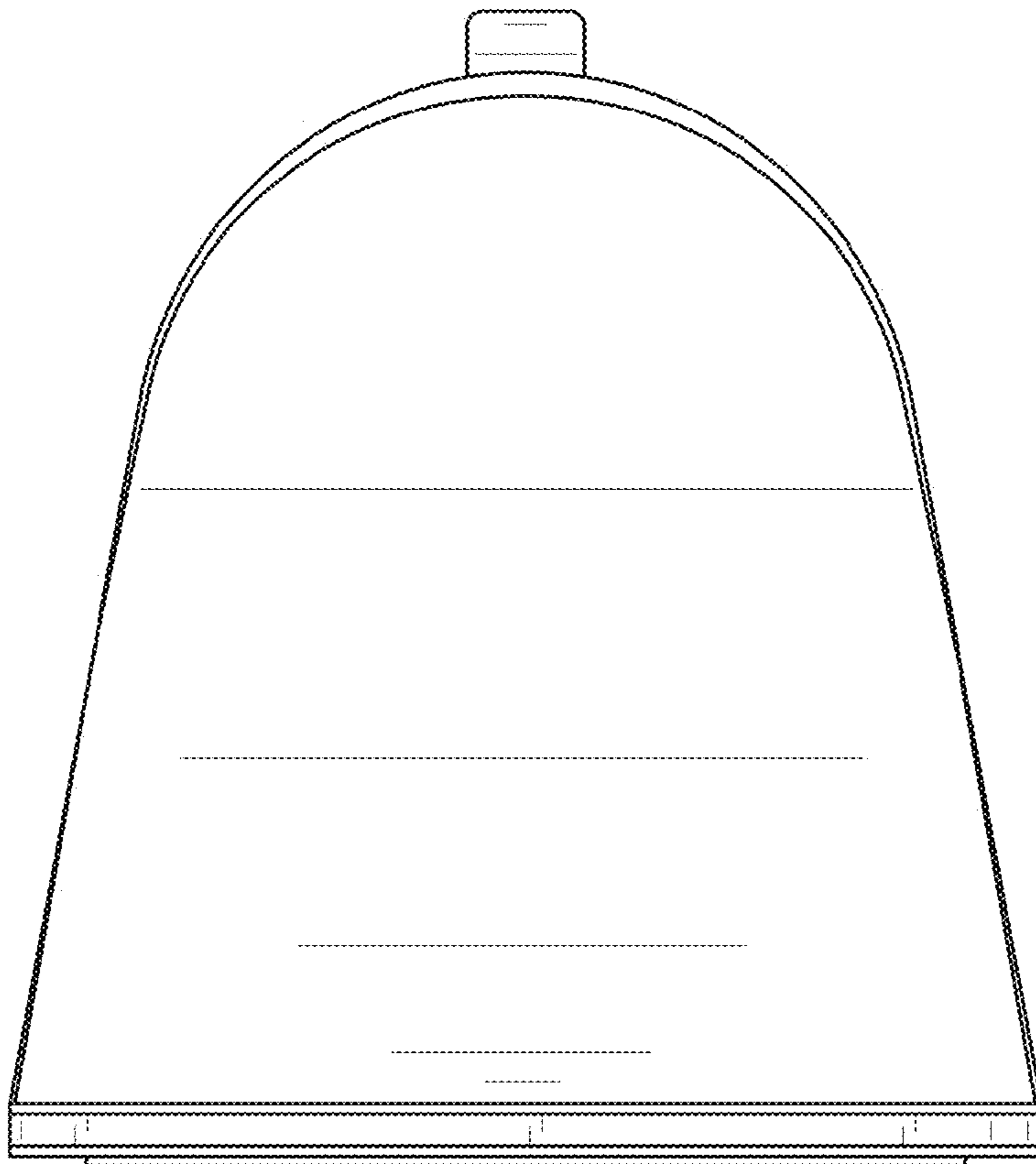


FIG. 8



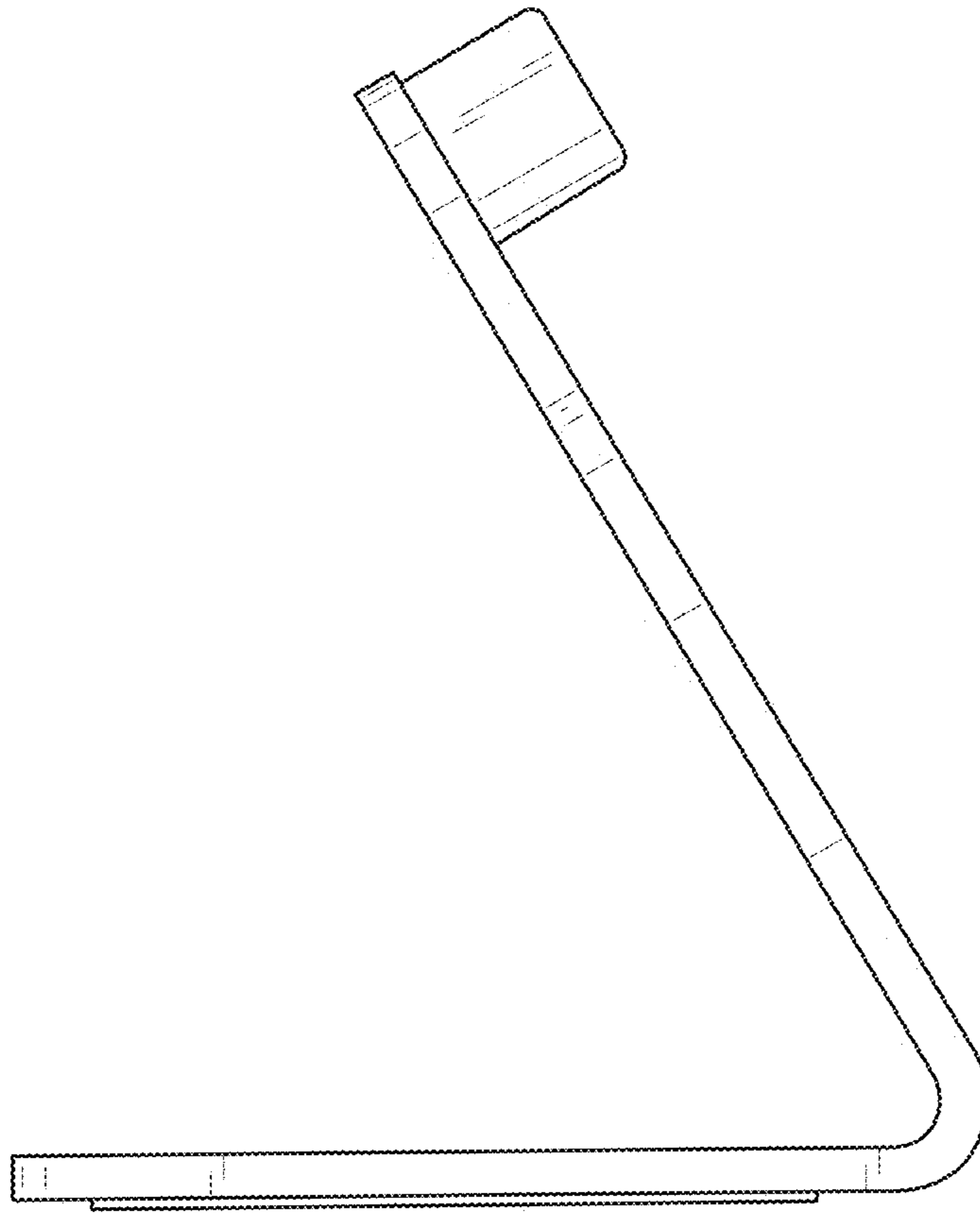


FIG. 9

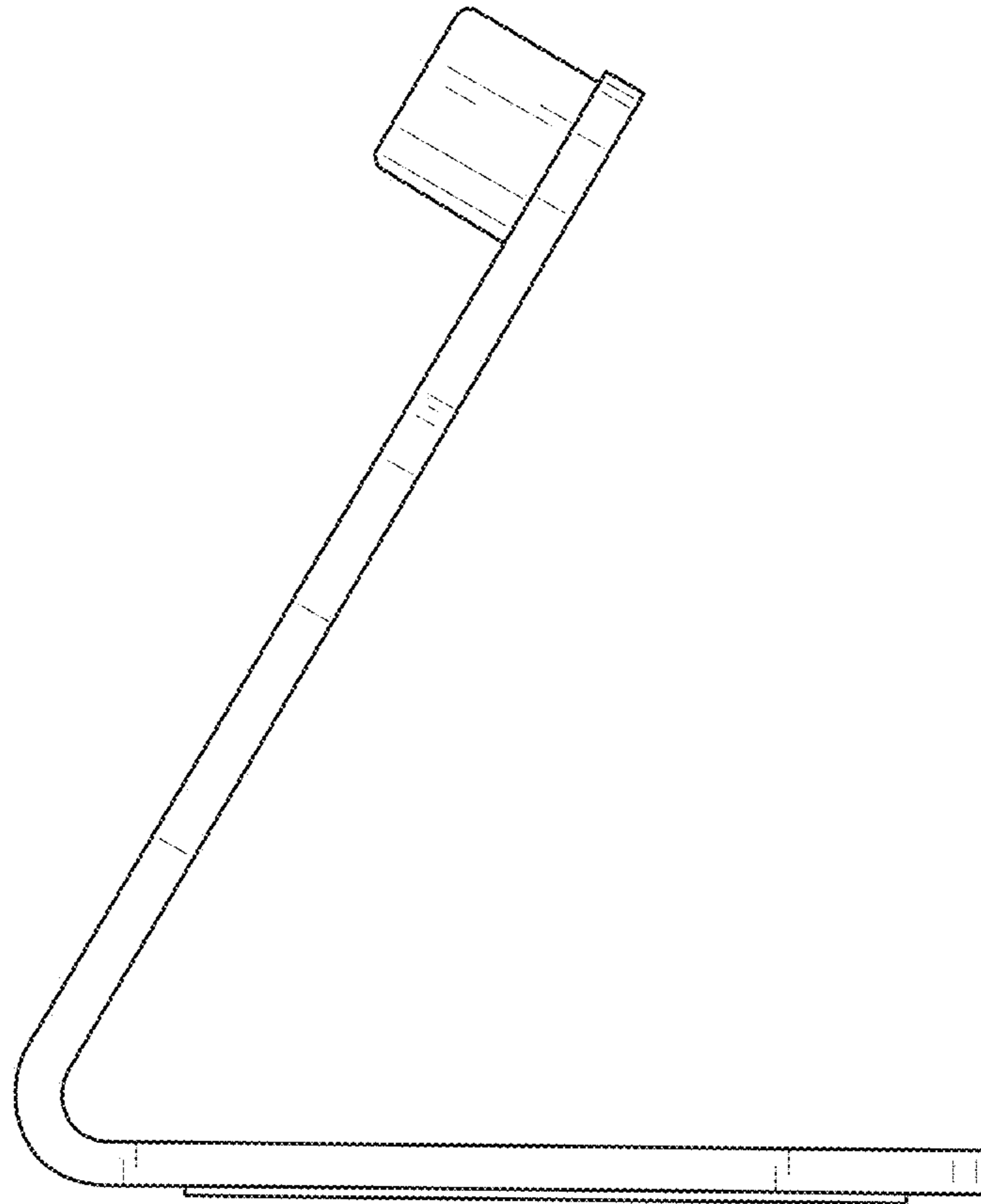


FIG. 10

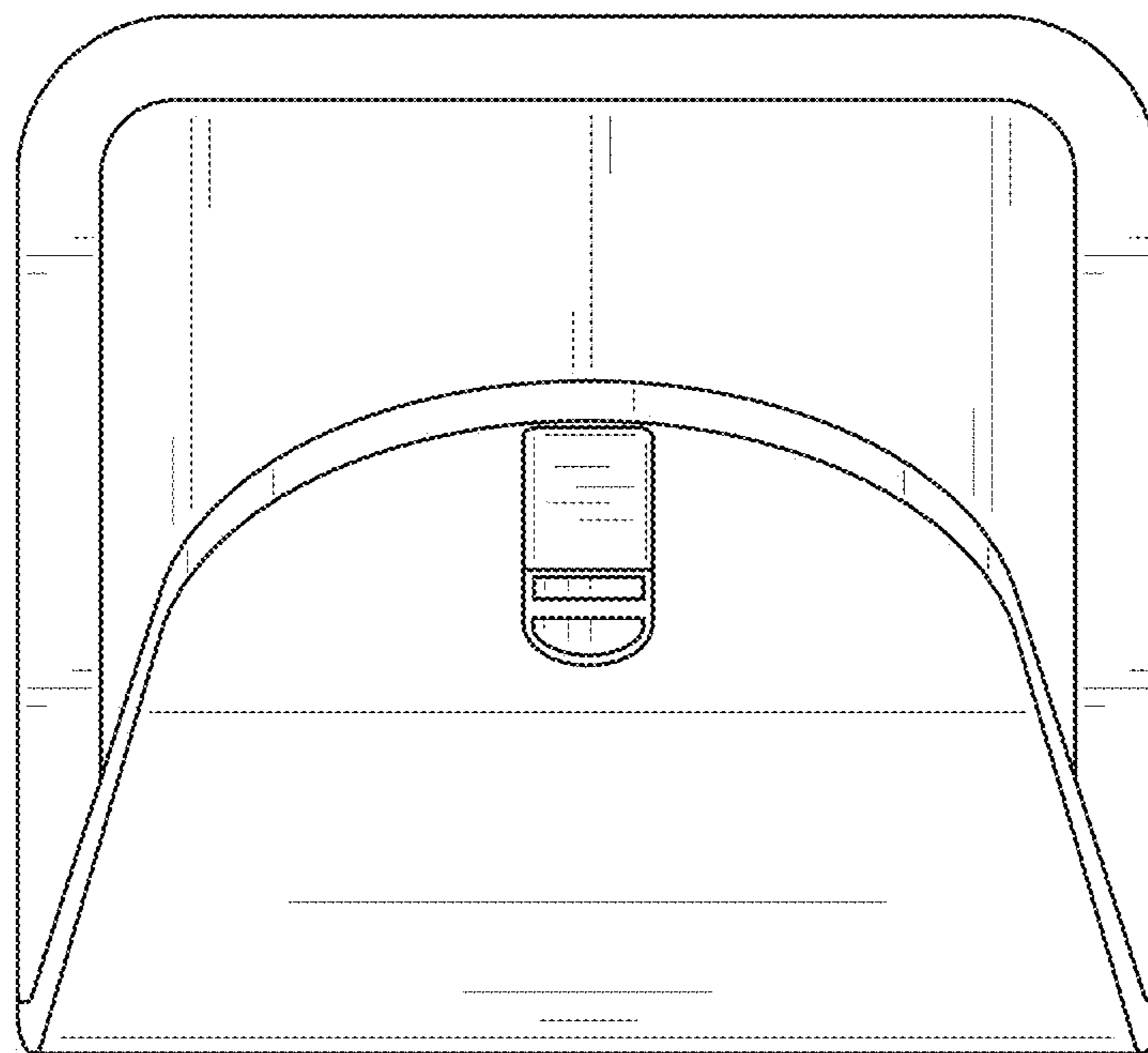


FIG. 11

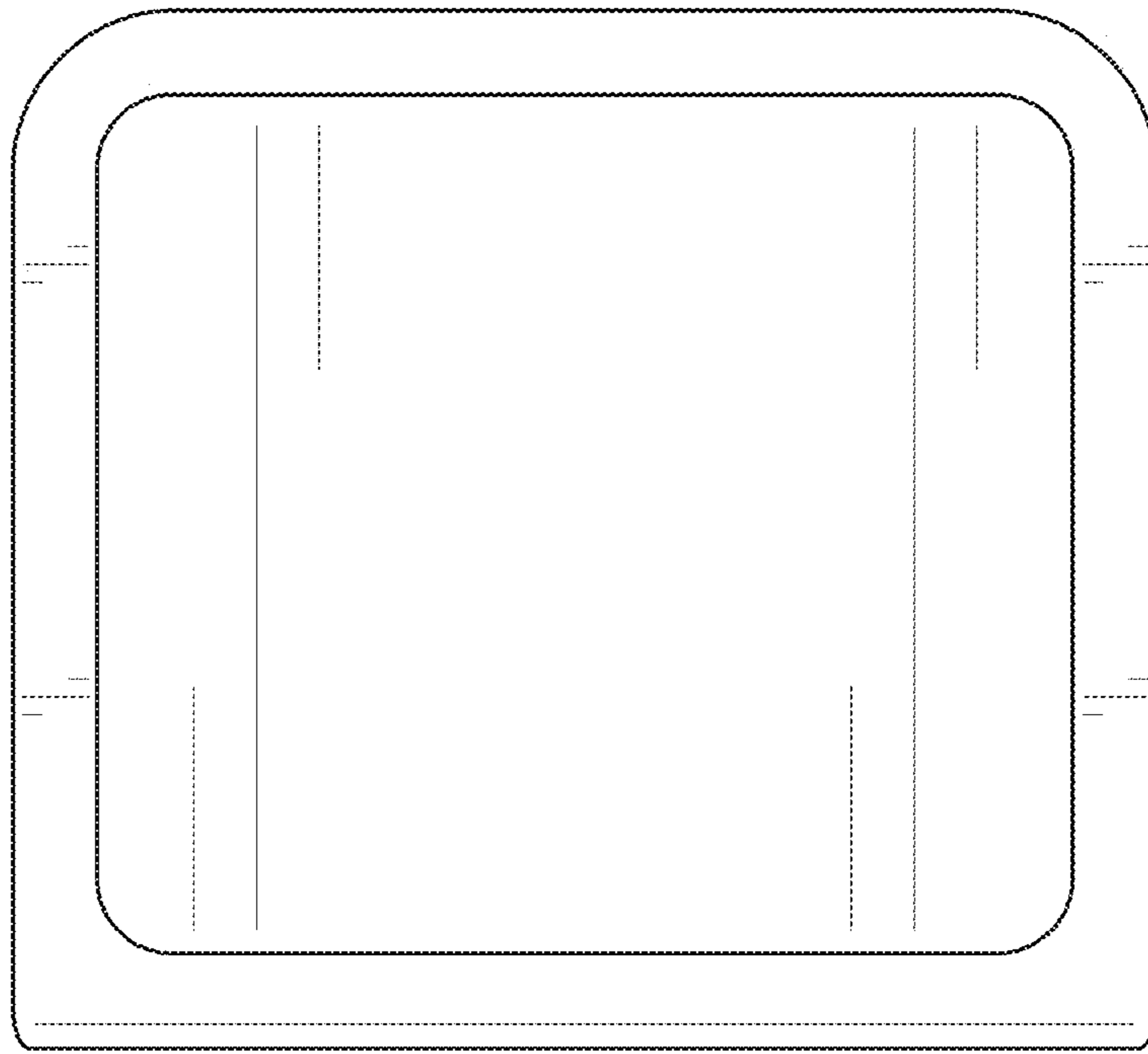


FIG. 12

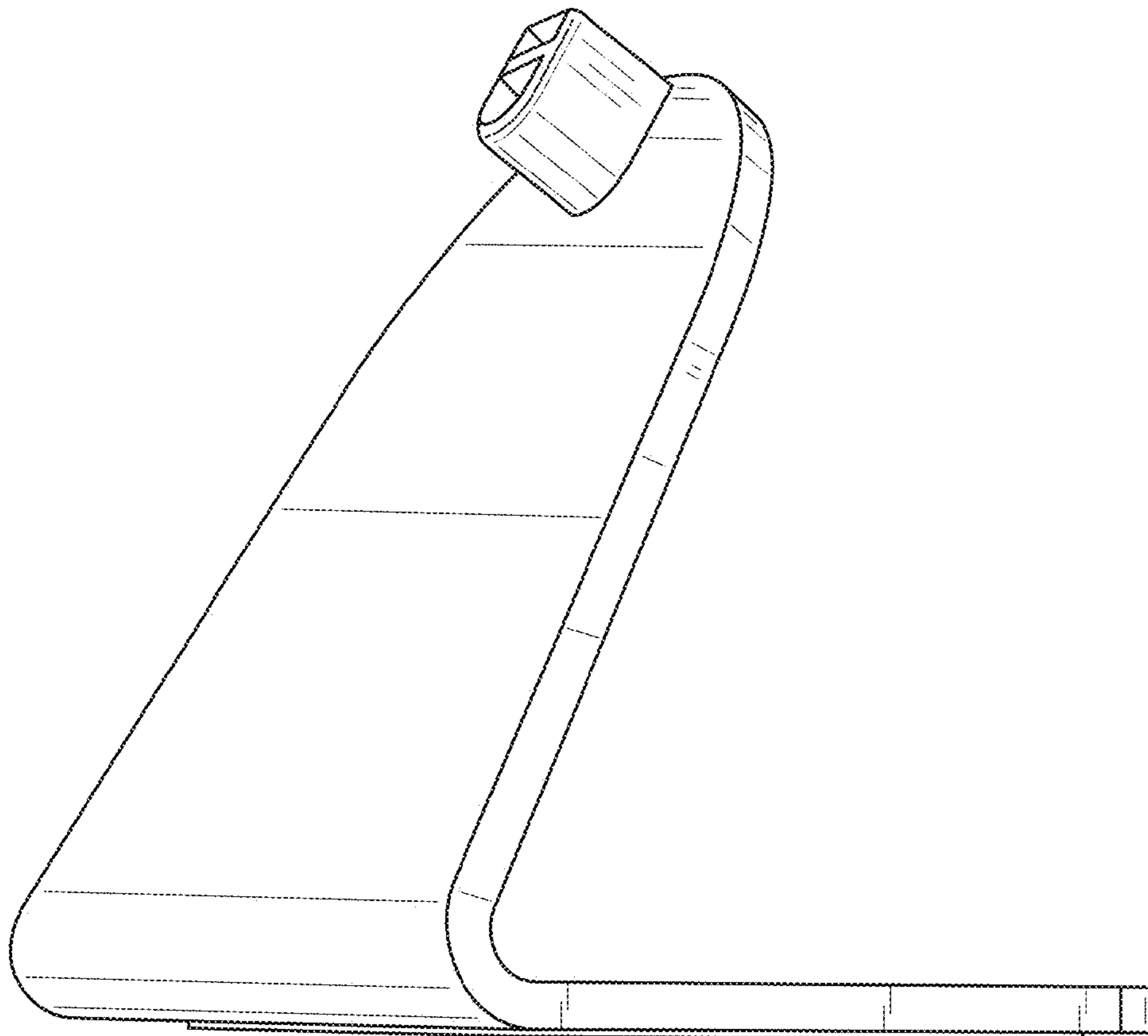


FIG. 13

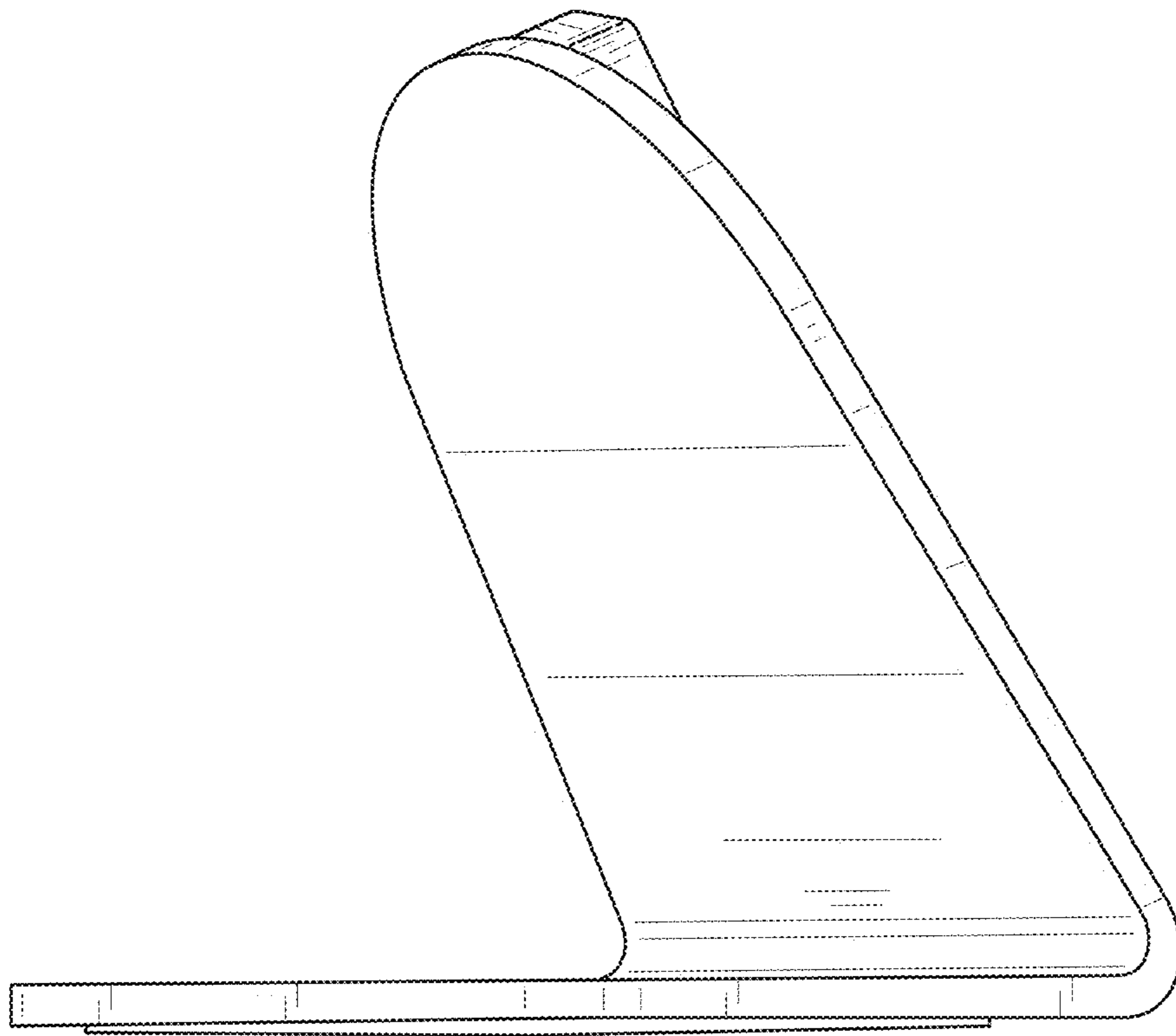


FIG. 14

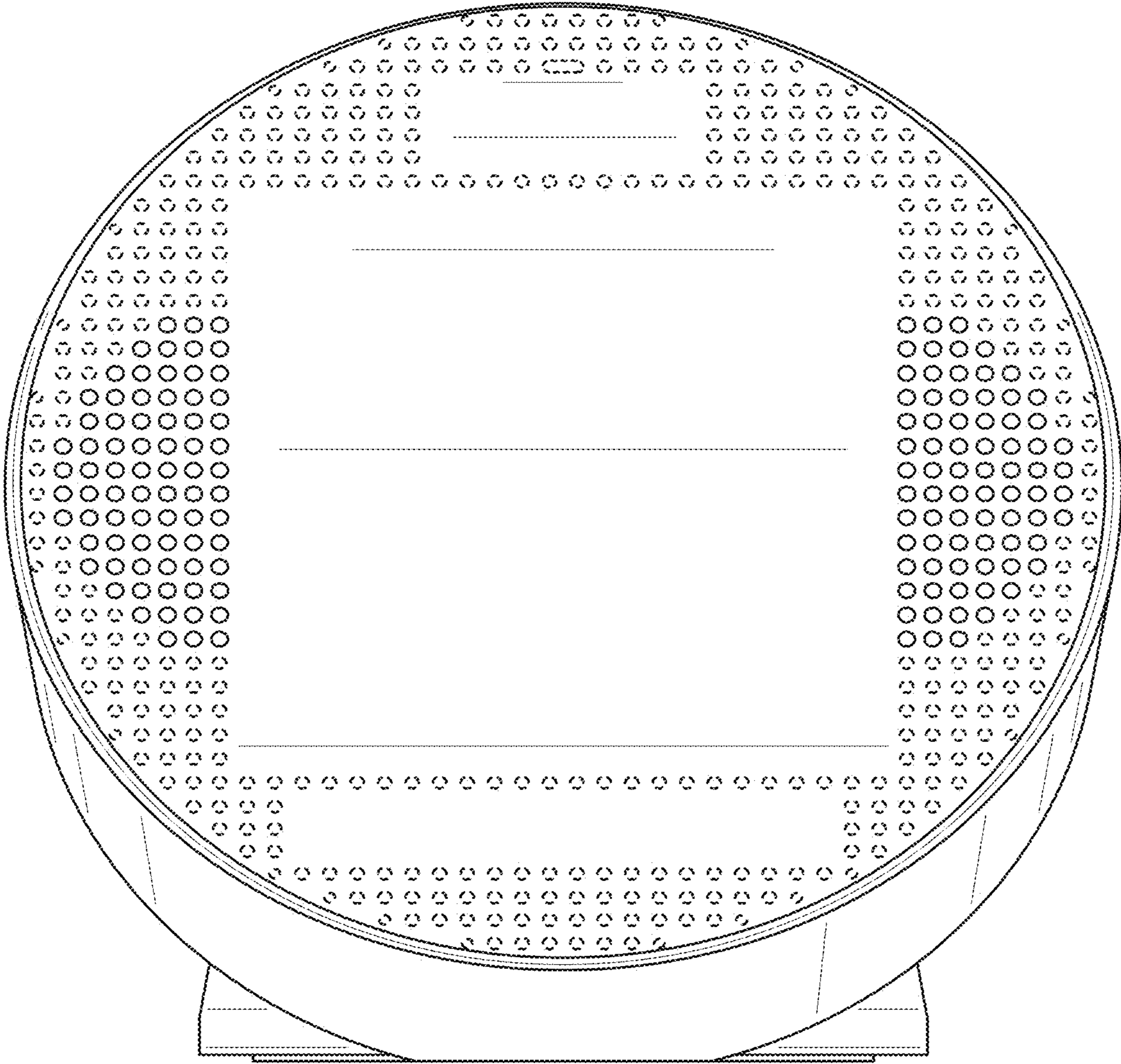


FIG. 15

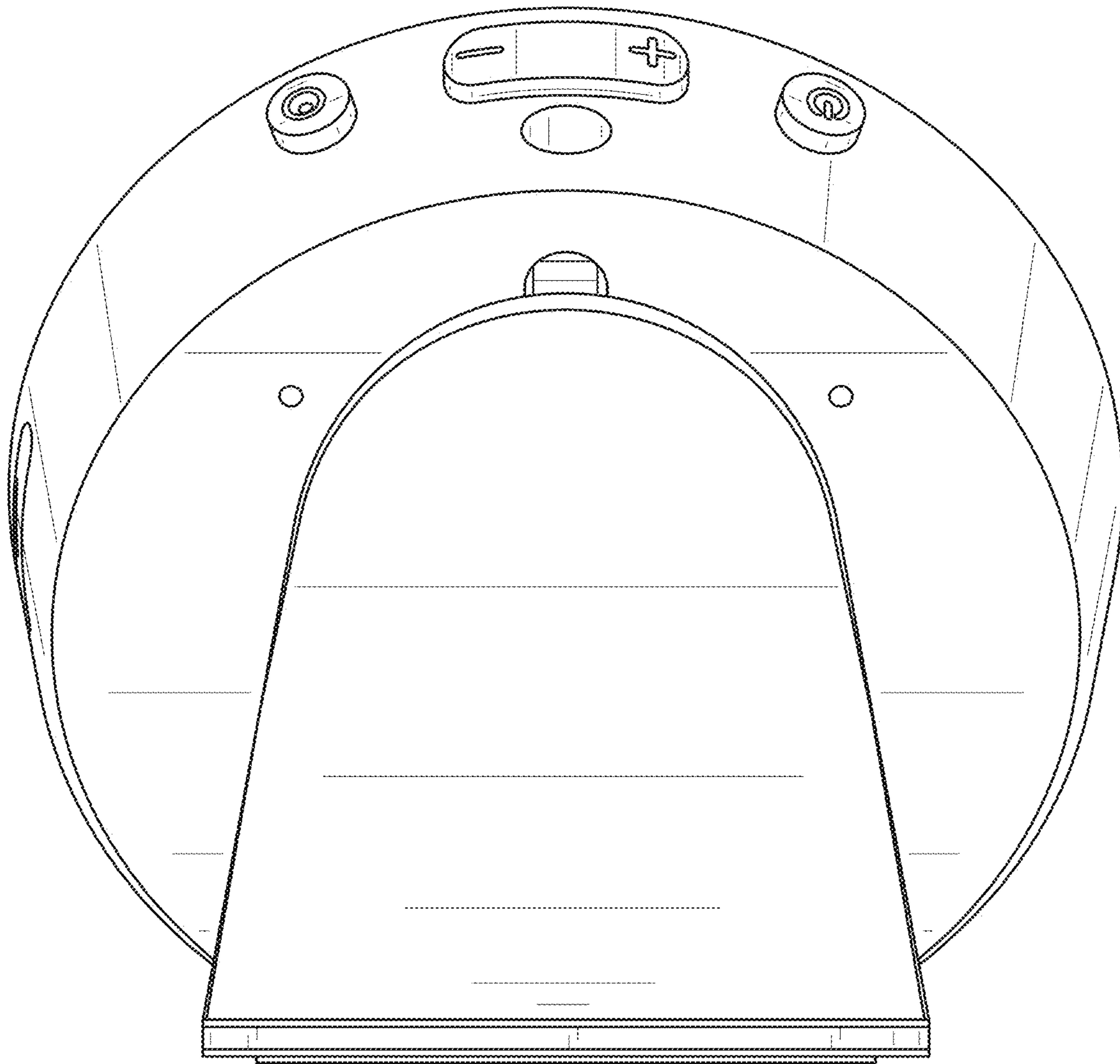


FIG. 16

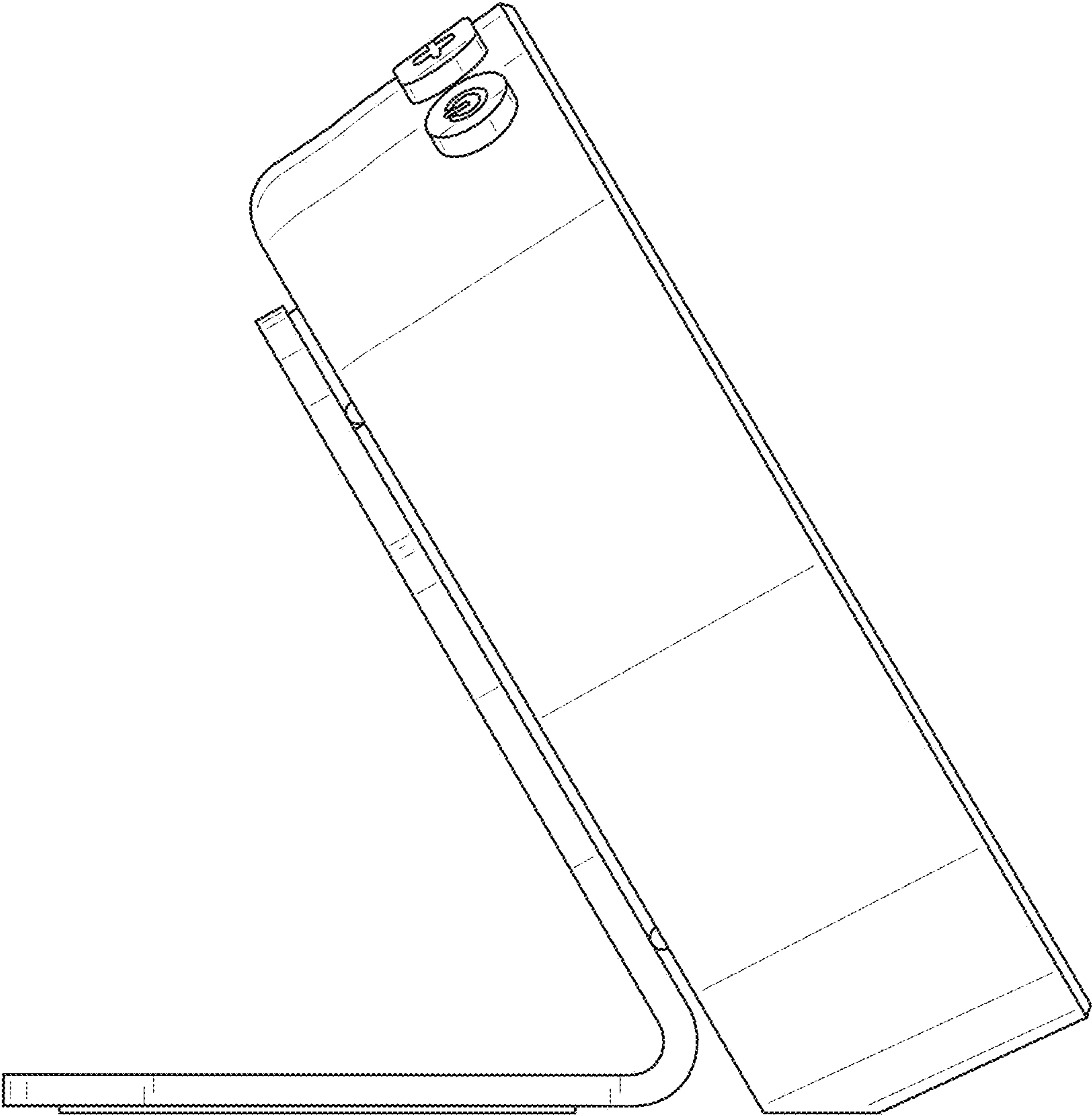


FIG. 17

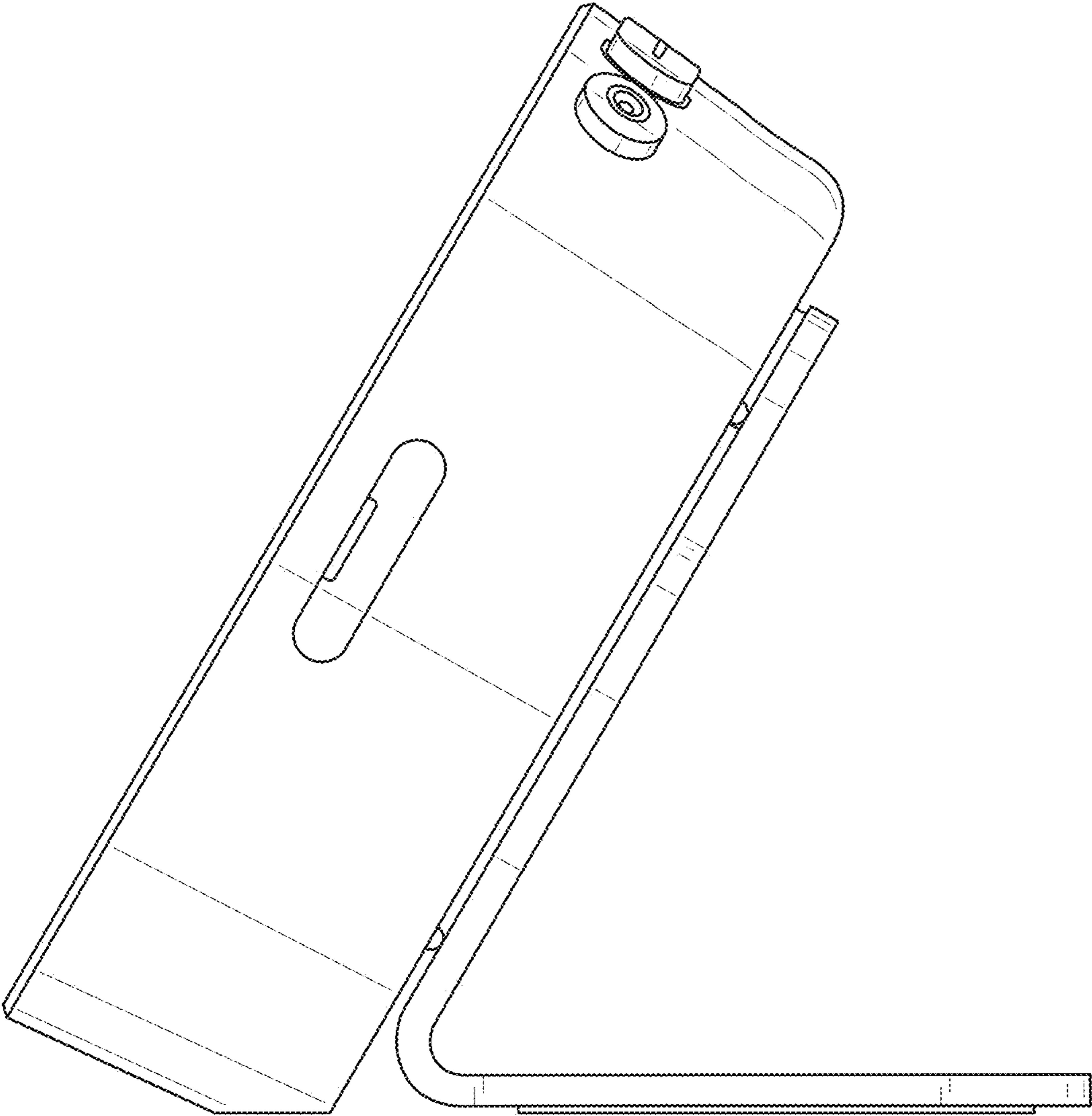


FIG. 18



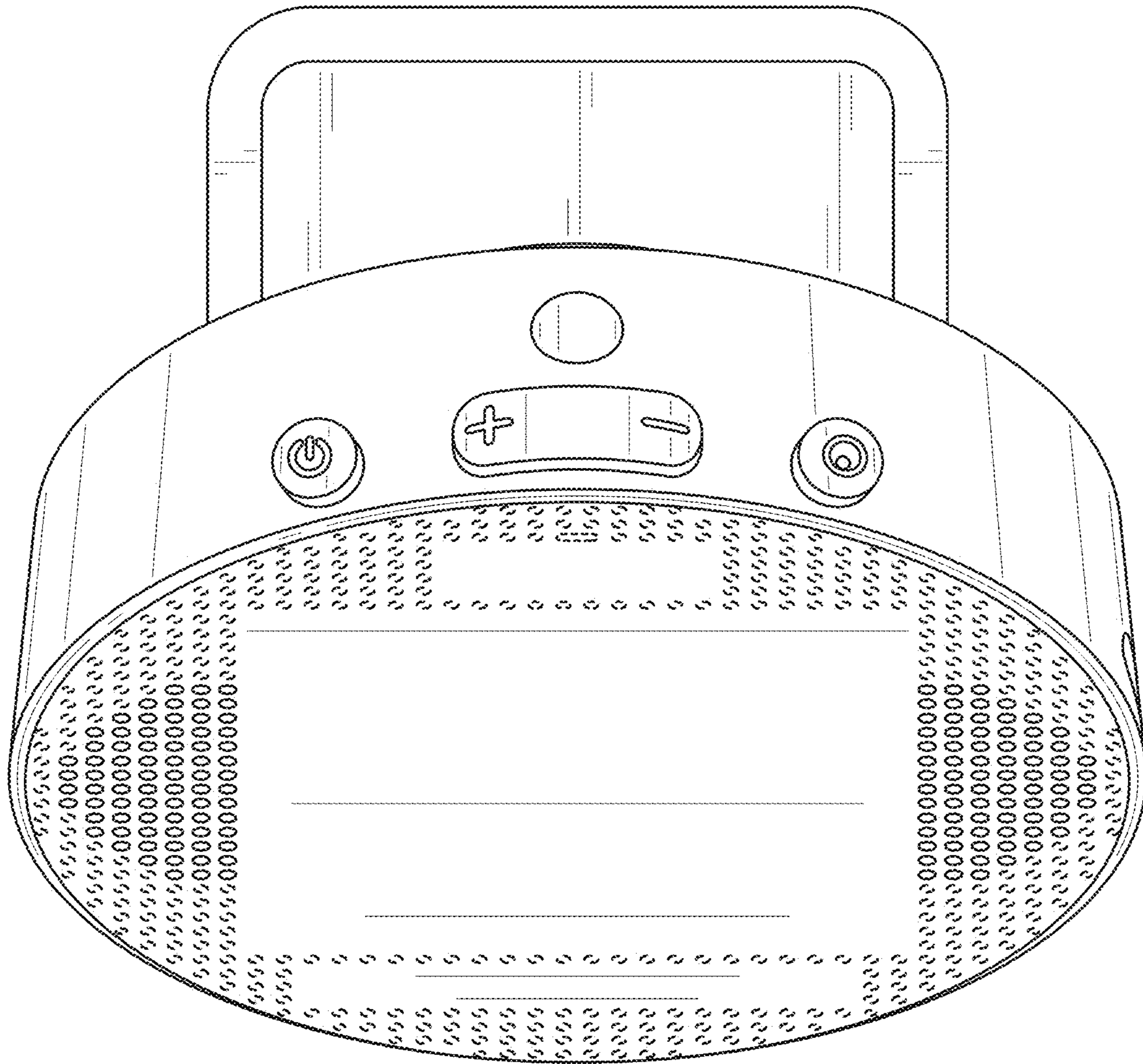


FIG. 19

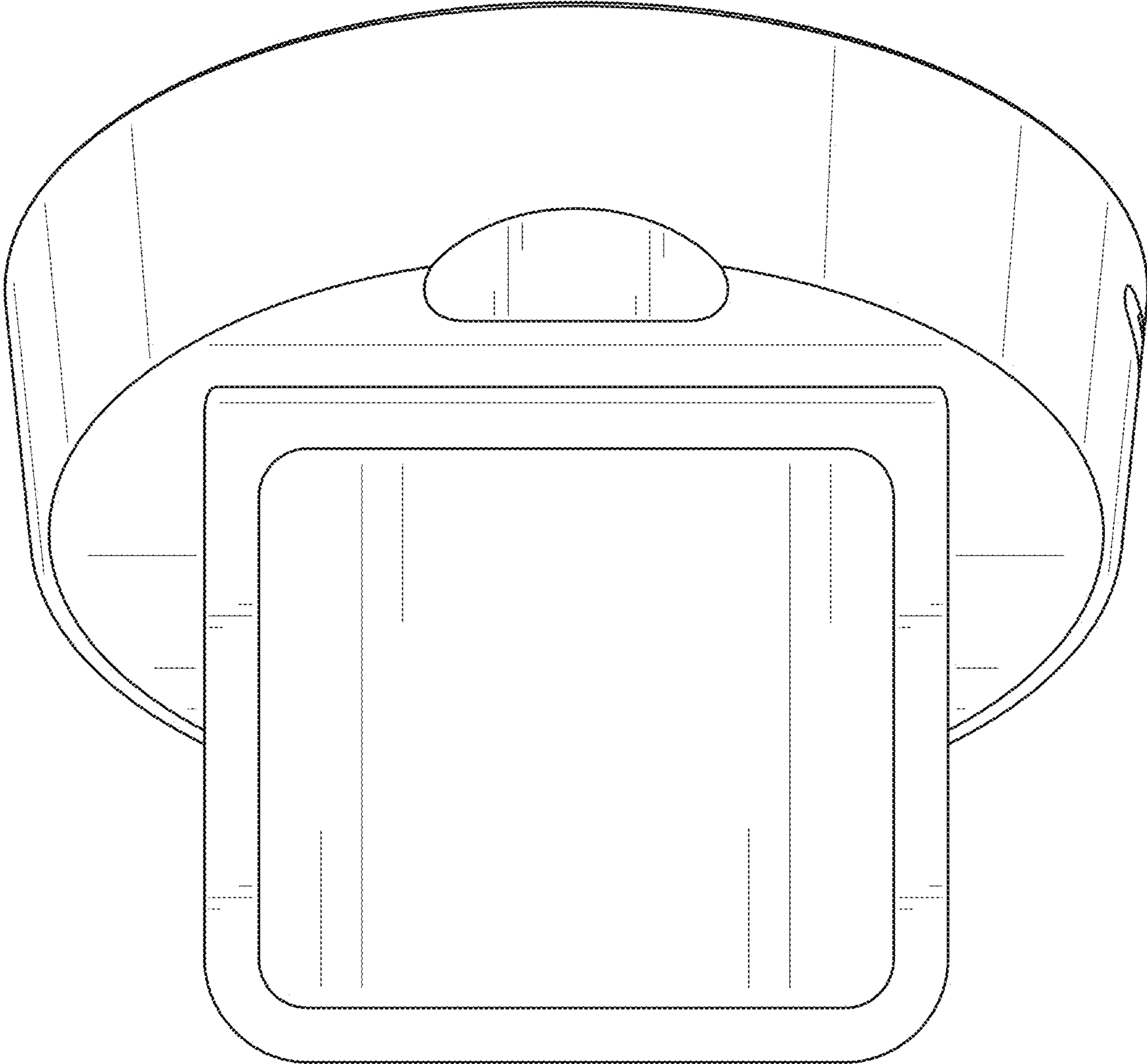


FIG. 20

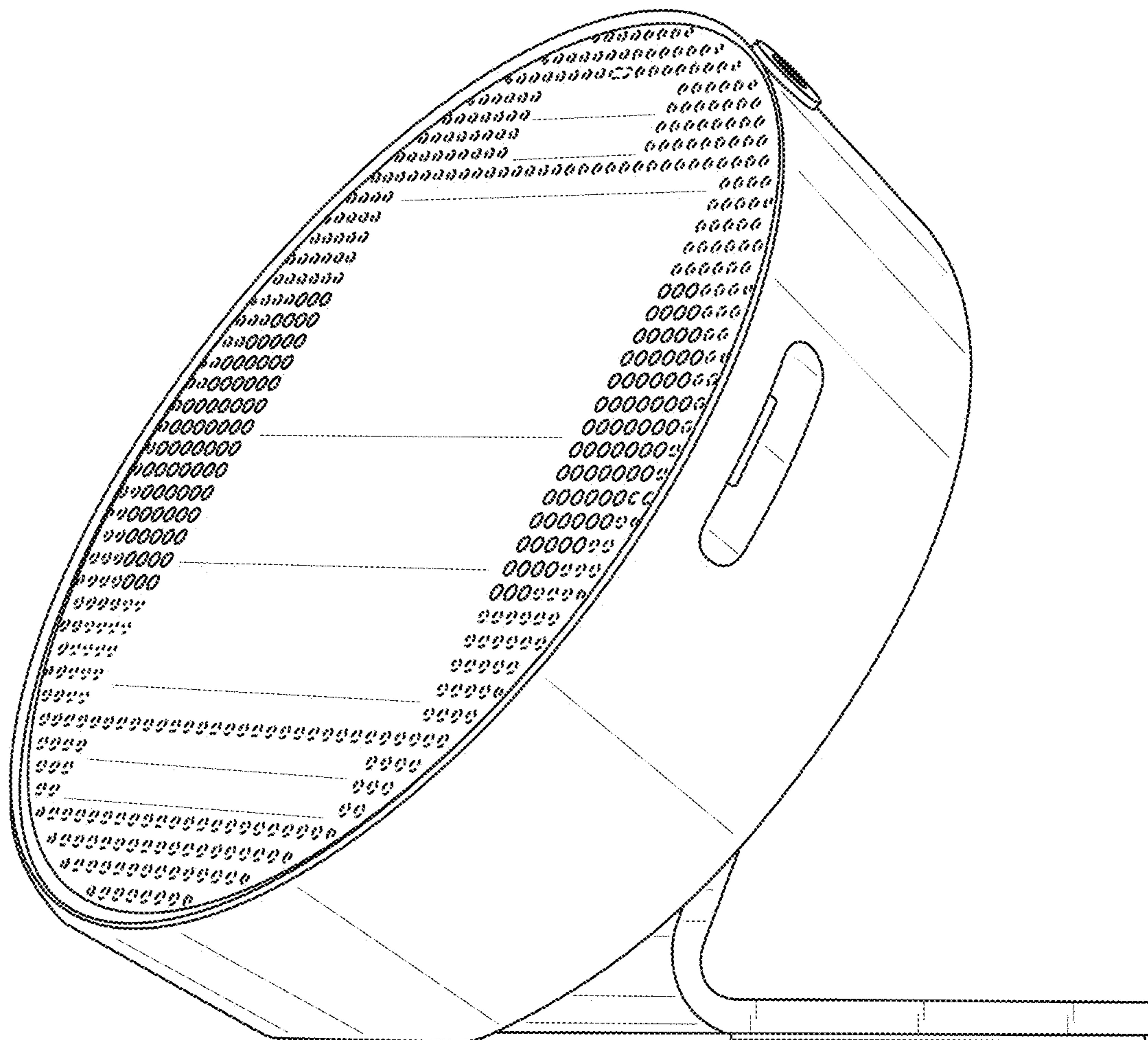


FIG. 21

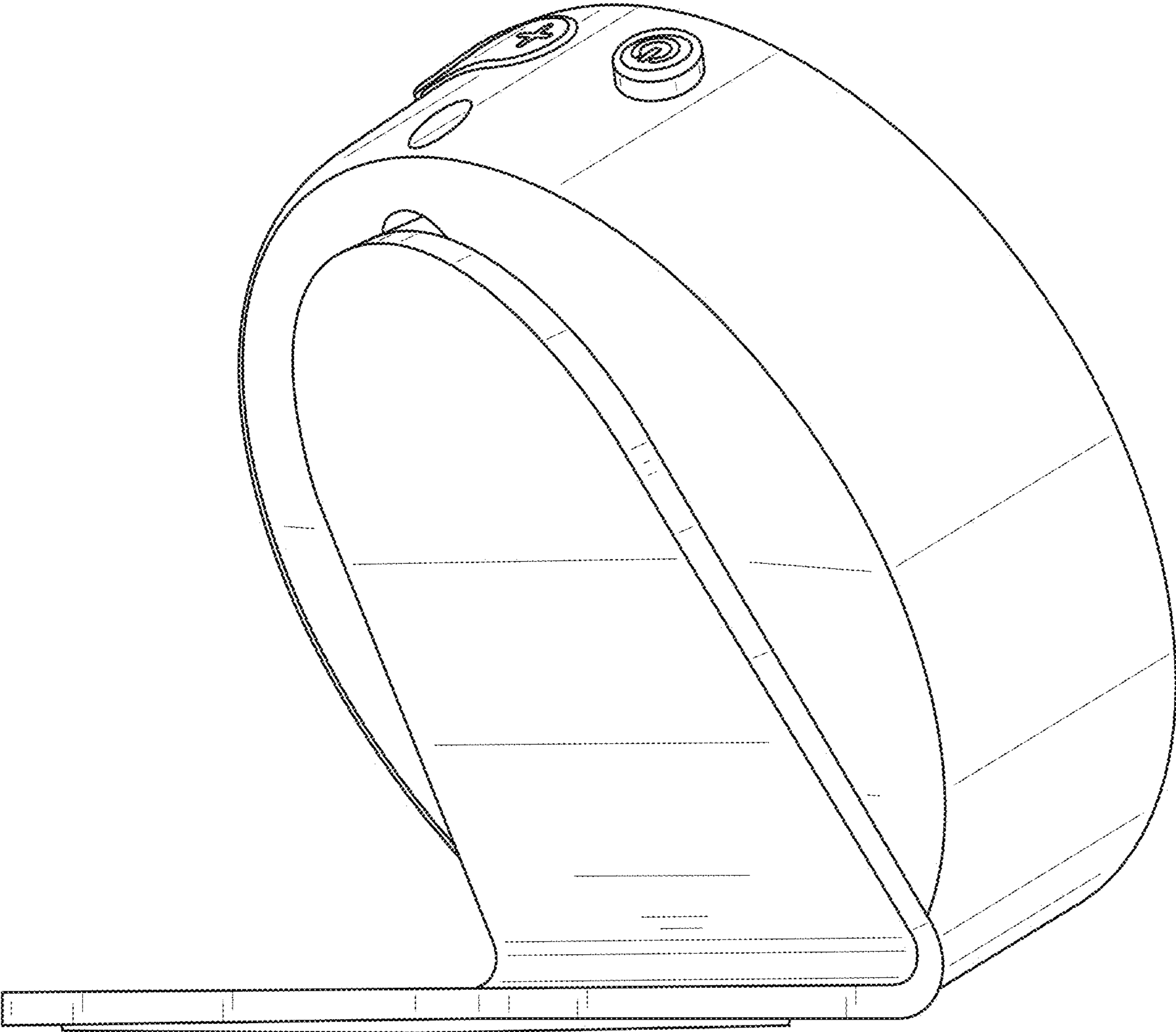


FIG. 22